
ThinkPad T60 Series supplementary regulatory notice

Read first — regulatory information

Regulatory notice for ThinkPad T60 Series

This notice is a supplementary document of the *ThinkPad T60 Service and Troubleshooting Guide*. Please read this document before you use the ThinkPad T60 Series computer.

The ThinkPad T60 Series computer complies with the radio frequency and safety standards of any country or region in which it has been approved for wireless use. You must install and use your ThinkPad T60 Series computer in strict accordance with the instructions as described hereafter.

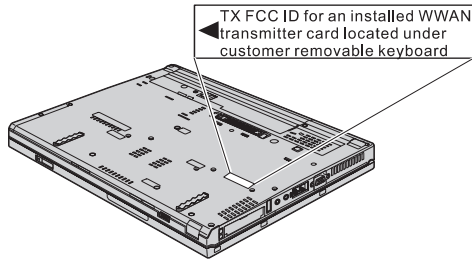
USA — Federal Communications Commission (FCC)

If your computer integrates the Wireless WAN Adapter Model: MC8765, you may connect it to the radiocommunication Public Network in the USA.

This WWAN module is only certified with the FCC.

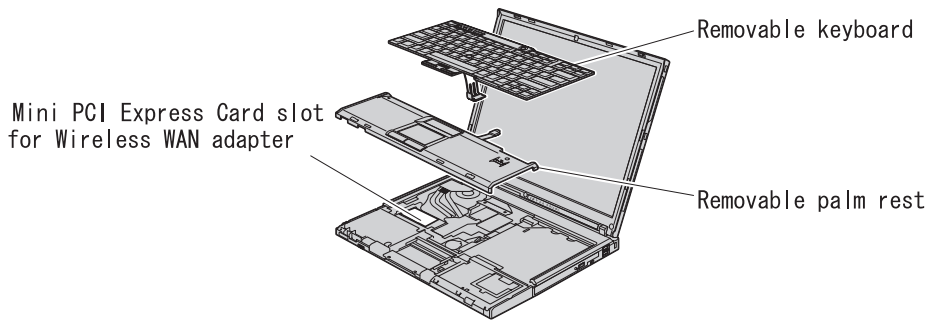
I. FCC ID of the wireless module

The Wireless WAN Adapter (Model: MC8765) was certified under the FCC ID: N7NMC8765, but there is no FCC ID for the card shown on the enclosure of your ThinkPad computer. Instead you will find an indicator pointing to the location of the FCC ID on the bottom side of your ThinkPad computer as shown on the next page. The FCC ID is affixed on the approved module installed in the Mini PCI Express Card slot.



II. Installation of the approved wireless module

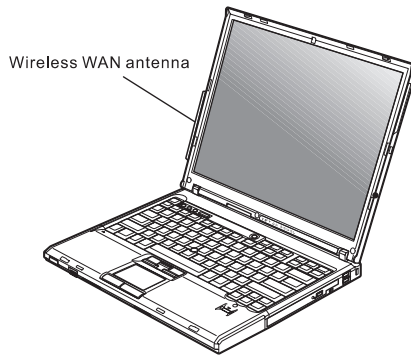
If no integrated wireless WAN Mini PCI Express Card has been preinstalled in your ThinkPad computer, you can install one, provided by Lenovo as an option. Plug the wireless card option into the Mini PCI Express Card slot located under the keyboard of your ThinkPad computer as shown in the figure below.



Attention: The ThinkPad T60 Series computer contains an authentication mechanism. If you install an unauthorized wireless WAN Mini PCI Express Card that is not approved for use in the ThinkPad T60 Series computer, the computer will not start, but only displays an error message and emits beeps.

III. RF safety compliance

The transmission antenna used for the Wireless WAN adapter in this notebook computer is located at the lower left portion of the LCD screen. The total radiated energy from all the antennas connected to the Wireless WAN adapter (Model: MC8765), the Wireless LAN Mini PCI Express adapter (Model: AR5BxB6, AR5BxB72, or WM3945ABG), and the Bluetooth module (Model: J07H081) conforms to the FCC limit of the SAR (Specific Absorption Rate) requirement regarding 47 CFR Part 2 section 1093. The maximum SAR values measured for the ThinkPad T60 Series computer were 0.0546W/Kg at 800MHz band and 0.0705W/Kg at 1.9GHz band, when the ThinkPad computer was operated in a conventional setting. The FCC limit is 1.6W/Kg.



IV. Emergency Calls

The Wireless WAN adapters embedded in the ThinkPad T60 Series do not support voice calls, hence their use for essential communication is not possible, including emergency calls regarding the E911 rule.

V. Simultaneous use of RF transmitters

If your ThinkPad computer contains the Model: AR5BxB6 (FCC ID: PPD-AR5BxB6), the Model: AR5BxB72 (FCC ID: PPD-AR5BxB72-L), the Model: WM3945ABG (FCC ID: PD9LEN3945ABG), or the Bluetooth module Model: J07H081 (FCC ID: MCLJ07H081), the Wireless WAN module Model: MC8765 is approved for simultaneous use with these radio devices.

Please make sure of the following conditions on use of these wireless features:

1. When you use any other RF option device, all other wireless features including the above integrated devices in your ThinkPad computer are required to be turned off.
2. Users must follow the RF Safety instructions on wireless option devices that are included in the RF option device's user's manual.

Electronic emission notices

Federal Communications Commission (FCC) Statement

- Model: AR5BxB6

- Model: AR5BxB72
- Model: MC8765

Note: The compliances of the FCC Part 15 Subpart B for Bluetooth device (Model: J07H081) and WLAN device (Model: WM3945ABG) underwent the certification process with each respective FCC ID: MCLJ07H081 or PD9LEN3945ABG.

This equipment has been tested and found to comply with the limits for a Class B digital device, pursuant to Part 15 of the FCC Rules. These limits are designed to provide reasonable protection against harmful interference in a residential installation. This equipment generates, uses, and can radiate radio frequency energy and, if not installed and used in accordance with the instructions, may cause harmful interference to radio communications. However, there is no guarantee that interference will not occur in a particular installation. If this equipment does cause harmful interference to radio or television reception, which can be determined by turning the equipment off and on, the user is encouraged to try to correct the interference by one or more of the following measures:

- Reorient or relocate the receiving antenna.
- Increase the separation between the equipment and receiver.
- Connect the equipment into an outlet on a circuit different from that to which the receiver is connected.
- Consult an authorized dealer or service representative for help.

Lenovo is not responsible for any radio or television interference caused by unauthorized changes or modifications to this equipment. Unauthorized changes or modifications could void the user's authority to operate the equipment.

This device complies with Part 15 of the FCC Rules. Operation is subject to the following two conditions: (1) this device may not cause harmful interference, and (2) this device must accept any interference received, including interference that may cause undesired operation.

Responsible Party:

Lenovo (United States) Inc.
One Manhattanville Road
Purchase, New York 10577
Telephone: (919) 254-0532



Tested To Comply
With FCC Standards

FOR HOME OR OFFICE USE