

Note: Below data applicable only for SNS102CMP, SNS200CMP and SNS441CMP. Refer to partner documentation for information applicable to SNS300CMP.

Electrical Information	
Input Voltage	Powered by SR driver low-voltage interface
Current Consumption	13mA
Nominal Power Consumption	200mW
Standby Power	< 1 W on luminaire level, including driver standby power
Environment & Approbation	
Operating Ambient Temperature Range	0°C to 55°C
Operating Humidity	0 – 95% non condensing
Storage Temperature	-25°C to 85°C
Storage Humidity	0-95% non condensing
Max Case Temperature (Tcase)	55°C
Agency Approbations	UL, CSA; Tested and approved for use in plenums; For use in non-fire-rated installations only
Certification	California Title 20
Limited Warranty	5 years
Digital Interface	Xitanium SR
Other	
Status Indicators	None
No. Drivers per Sensor	Four drivers per sensor maximum; Wiring polarity must be maintained
Field Configuration	via NFC or IR. Parameters set via Philips field apps

#### Operation and Configuration via Mobile App

EasySense operates immediately upon installation and energization without further commissioning. If changes from default settings are desired, EasySense can be configured via Philips field apps through NFC or IR. For a complete description of the features and default settings—as well as details on the app—refer to [www.philips.com/easysense](http://www.philips.com/easysense).

#### FCC and IC Statement

This device complies with part 15 of the FCC rules for the United States and Industry Canada (IC) license-exempt RSS standard(s). Operation is subject to the following two conditions: (1) This device may not cause harmful interference, and (2) this device must accept any interference received, including interference that may cause undesired operation. Any changes or modifications not expressly approved by Philips could void the user's authority to operate this equipment. This product is intended for commercial use only.

This equipment should be installed and operated with a minimum distance of 20cm between the radiator and your body.

#### Déclaration De Conformité À La Fcc/Ic

Ce dispositif est conforme à la partie 15 des règles de la Federal Communications Commission (FCC) des États-Unis et d'Industrie Canada (IC) exempts de licence RSS norme(s). Son fonctionnement est assujéti aux deux conditions suivantes : (1) Ce dispositif ne doit pas provoquer de brouillage préjudiciable, et (2) il doit accepter tout brouillage reçu, y compris le brouillage pouvant entraîner un mauvais fonctionnement. Tous les changements ou modifications non expressément approuvés par Philips, sont susceptibles d'annuler le droit de l'utilisateur à se servir de cet équipement. Ce produit est exclusivement destiné à un usage commercial.

Cet équipement doit être installé et utilisé avec une distance minimale de 20 cm entre le radiateur et votre corps.



## Philips EasySense Quick Installation Guide

### Sensor Part Number

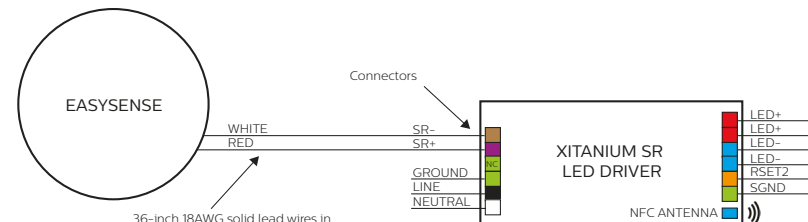
Commercial Product Name	Order Code
EasySense Ceiling-Mount Sensor	SNS102CMP (514851)
	SNS200CMP (516666)
	SNS300CMP (517839)
	SNS441CMP

### Compatible LED Drivers

Driver Model Number	Description
XI040C110V054VPT1	Xitanium 40W 0.1-1.1A 27-54V 120-277V SR
XI075C200V054VPT1	Xitanium 75W 0.1-2.0A 27-54V 120-277V SR

Specifications available at [www.philips.com/XitaniumSR](http://www.philips.com/XitaniumSR).

### Wiring Diagram



Connection	Color
White	Neutral
Black	Line
Green	Ground
Purple	SR+
Brown	SR-

Connection	Color
Red	LED+
Blue	LED-
Orange	RSET2
Green	SGND

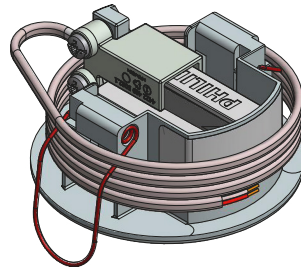
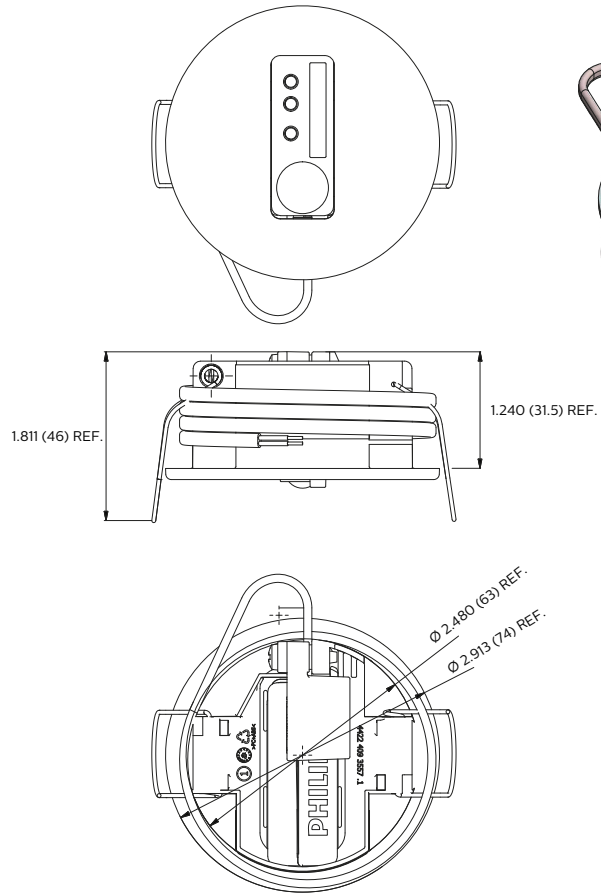
© 2018 Philips Lighting Holding BV. All rights reserved. Philips reserves the right to make changes in specifications and/or to discontinue any product at any time without notice or obligation and will not be liable for any consequences resulting from the use of this publication. [philips.com/easysense](http://philips.com/easysense)



Philips Lighting North America Corporation  
10275 W. Higgins Road, Rosemont IL 60018  
Tel: 800-322-2086 Fax: 888-423-1882  
Customer/Technical Service: 800-372-3331  
OEM Support: 866-915-5886

Philips Lighting Canada Ltd.  
281 Hillmount Rd, Markham, ON, Canada L6C 2S3  
Tel. 800-668-9008

## Transceiver Dimensions (in/mm)



## Installation

### Notes:

1. For use in non-fire-rated installations only.
2. Remove power from fixtures/drivers before performing any electrical work.
3. Up to (4) drivers maximum can be connected to (1) EasySense. Polarity must be maintained.



Step 1: Drill 2.5-inch hole in ceiling. It may be more practical to remove the ceiling tile and drill from the backside depending on material.



Step 2: Feed wires from sensor into ceiling hole. Wire length provided is 36-inches. Cable jacket provided is plenum-rated. Add additional wire length if necessary (18AWG solid wire recommended).



Step 3: Compress spring clips on sensor and insert into ceiling hole.



Step 4: Sensor will clamp into place. Turn sensor to appropriate position.

Step 5: Connect the wires from the sensor to the LED Driver in the fixture. Connect the white wire from the sensor to the brown (SR-) terminal on the driver. Connect the red wire from the sensor to the purple (SR+) terminal on the driver. Follow fixture manufacturer's instructions for accessing the driver.

## Configuring Sensor Parameters

EasySense operates upon energization with no further commissioning. See Transceiver datasheet for sensor presets and parameters that can be changed during installation. Refer to "Operation and Configuration via Mobile App" on last page for further details.

