

# PHILIPS

Lighting Control

Wireless Occupancy  
Sensor, Multi Sensor



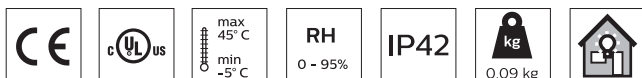
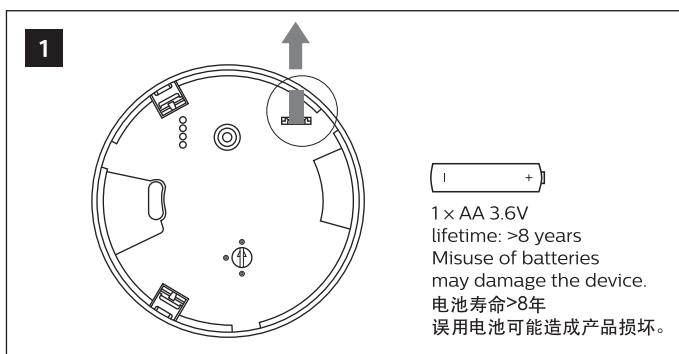
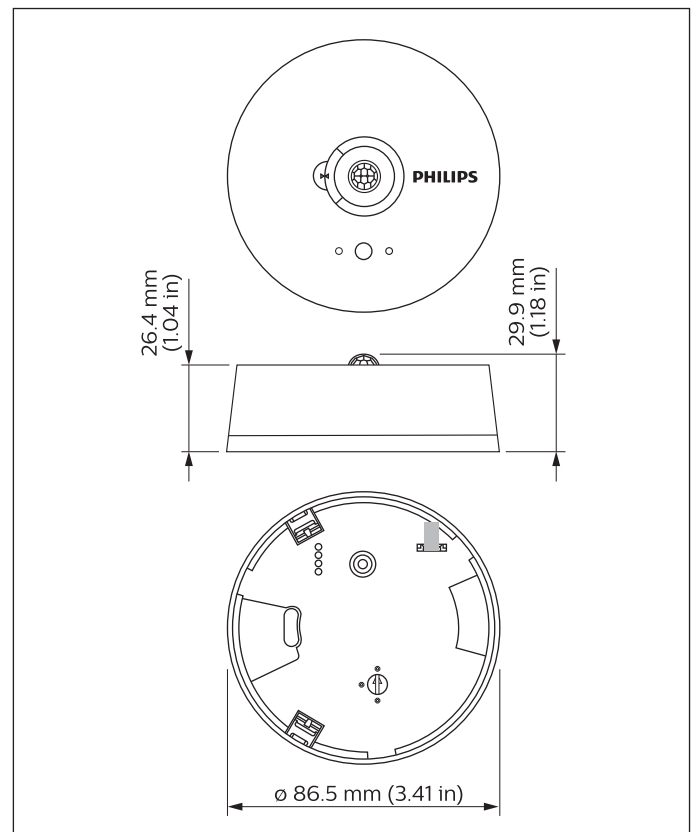
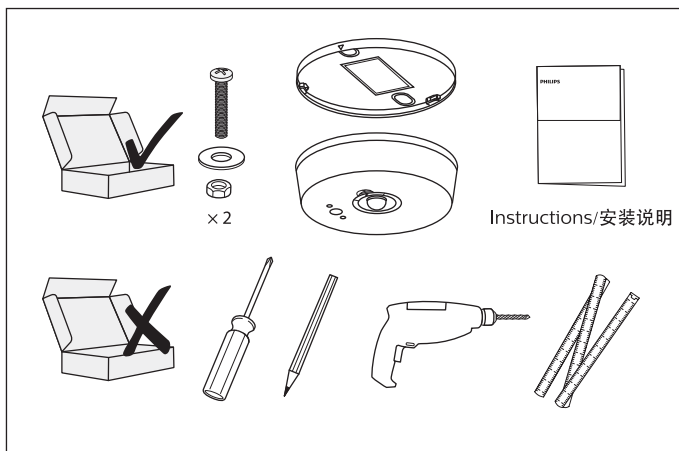
# 飞利浦智能传感器 Installation Instructions

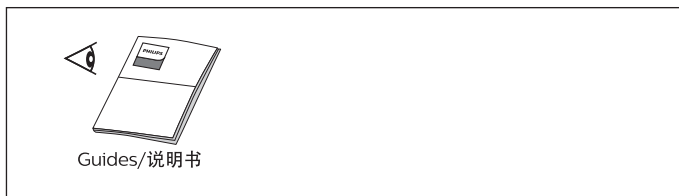
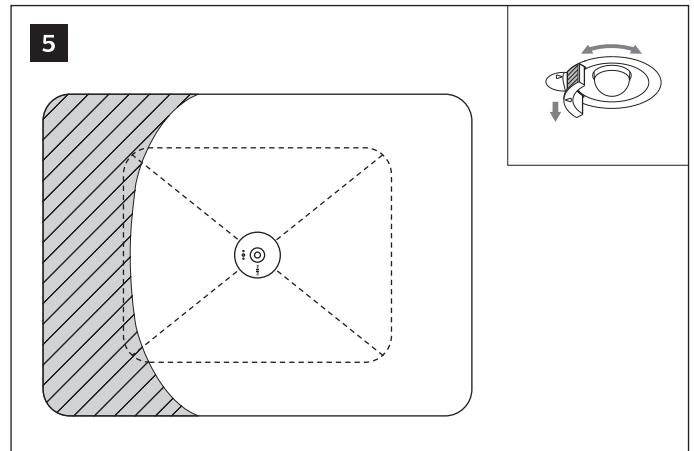
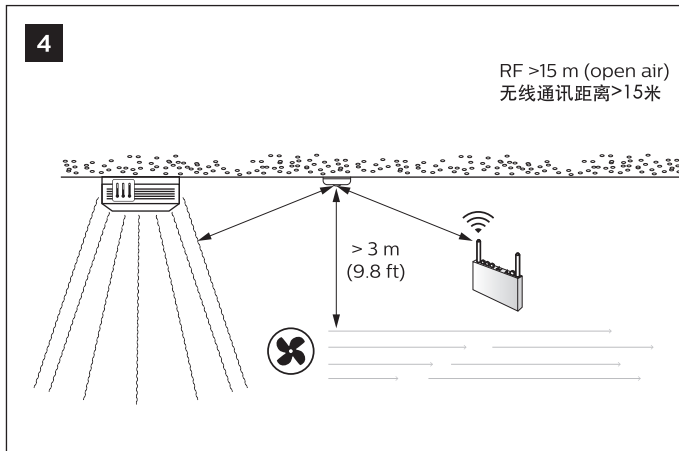
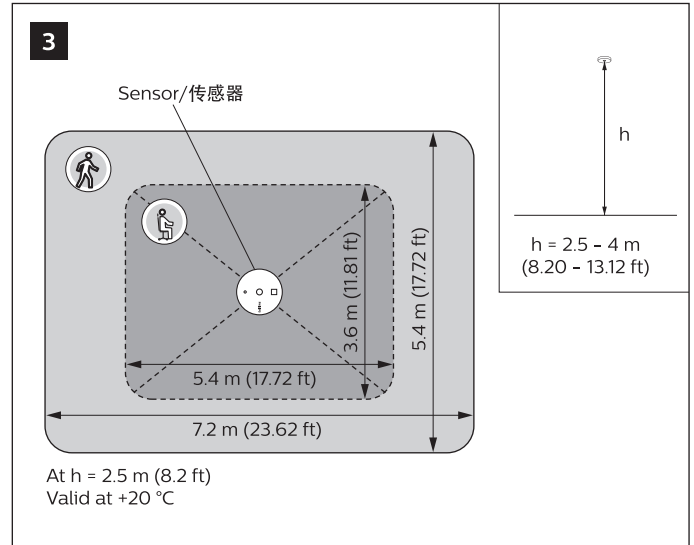
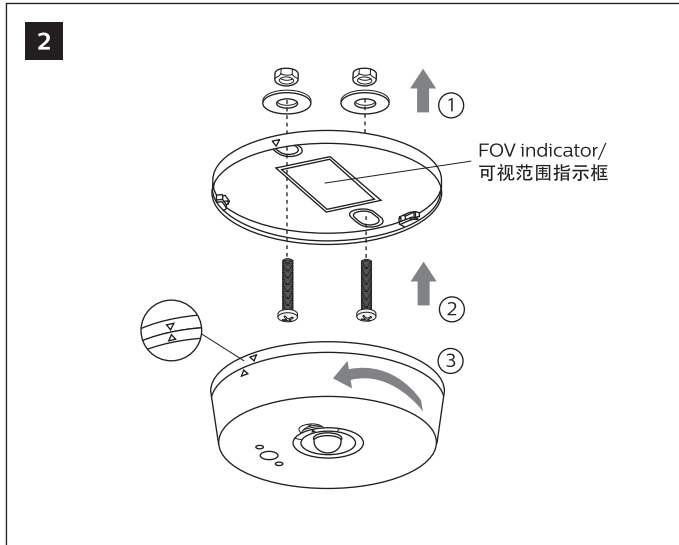
Instructions d'installation  
Instrucciones de instalación

Istruzioni per l'installazione  
Installatie-instructies

Installationsanweisungen  
インストール手順

انماشة اءااءا  
تاءااءا





**(FR) DÉCLARATION DE CONFORMITÉ À LA FCC/IC**  
Ce dispositif est conforme à la partie 15 des règles de la Federal Communications Commission (FCC) des États-Unis et d'Industrie Canada (IC) exempts de licence RSS norme(s). Son fonctionnement est assujéti aux deux conditions suivantes: (1) Ce dispositif ne doit pas provoquer de brouillage préjudiciable, et (2) il doit accepter tout brouillage reçu, y compris le brouillage pouvant entraîner un mauvais fonctionnement. Tous les changements ou modifications non expressément approuvés par Philips, sont susceptibles d'annuler le droit de l'utilisateur à se servir de cet équipement. Ce produit est exclusivement destiné à un usage commercial.

Cet équipement est conforme aux limites d'exposition aux rayonnements IC établies pour un environnement non contrôlé. Cet équipement doit être installé et utilisé avec un minimum de 20cm de distance entre la source de rayonnement et votre corps.

Hereby, Philips Lighting declares that the radio equipment is in compliance with Directive 2014/53/EU. The full text of the EU declaration of conformity is available at the following Internet address: <http://www.philips.com/red>

EN FCC/IC compliance statement

This device complies with part 15 of the FCC rules for the United States and Industry Canada (IC) license-exempt RSS standard(s). Operation is subject to the following two conditions: (1) This device may not cause harmful interference, and (2) this device must accept any interference received, including interference that may cause undesired operation. Any changes or modifications not expressly approved by Philips could void the user's authority to operate this equipment. This product is intended for commercial use only.

FCC Radiation Exposure Statement

This equipment complies with FCC radiation exposure limits set forth for an uncontrolled environment.

This equipment should be installed and operated with minimum distance 20 cm between the radiator & your body.

IC Radiation Exposure Statement

This equipment complies with IC RSS-102 radiation exposure limits set forth for an uncontrolled environment.

This equipment should be installed and operated with minimum distance 20 cm between the radiator & your body.

RF Exposure Information

This device meets the EU requirements (1999/519/EC) on the limitation of exposure of the general public to electromagnetic fields by way of health protection. The device complies with RF specifications when the device used at 32.11 cm from your body.

**DO NOT INGEST BATTERY, CHEMICAL BURN HAZARD**

This product contains battery. If the battery is swallowed, it can cause severe internal burns in just 2 hours and can lead to death.

Keep new and used batteries away from children. If the battery compartment does not close securely, stop using the product and keep it away from children.

If you think batteries might have been swallowed or placed inside any part of the body, seek immediate medical attention.

Recycling and disposal

Your product is designed and manufactured with high quality materials and components, which can be recycled and reused.

When this crossed-out wheeled bin symbol is attached to a product it means the product is covered by the European Directive 2002/96/EC:

Never dispose of your product with other household waste. Please inform yourself about the local separate collection system for electrical and electronic products. Please act according to your local rules and do not dispose of your old products with your normal household waste. The correct disposal of your old product will help prevent potential negative consequences for the environment and human health.



**PHILIPS LIGHTING**

Brand Philips  
Product Family TLED  
Shape \_\_\_\_\_  
Wattage \_\_\_\_\_  
Template Ref. \_\_\_\_\_  
SGS number 5262529  
12-NC.NBR 324165240081  
Masterdrawing \_\_\_\_\_  
CRC Ref. \_\_\_\_\_

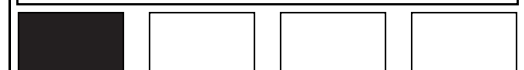
Barcode No. \_\_\_\_\_

Operator(s) effiegu

VERSION No. v1

Date in 20171205

Date amended 20171206



Black

Diecut

**Date Check** \_\_\_\_\_

Check briefing Traffic

**Artwork document**

Legend  Number of colors

12NC  Trapping/Bleed

Barcode  Images hires

Diecut  Jobsizes

**Approval**

QC Lithographer SGS Shanghai Production

Product Manager echo.f.yang@philips.com

Traffic Manager Jerry Zhang