

Blue Gecko BGM111 Bluetooth® Smart Module Data Sheet



The BGM111 is a *Bluetooth*® Smart module targeted for Bluetooth Smart applications where good RF performance, low power consumption and easy application development are key requirements. At +8 dBm TX power BGM111 has best-in-class RF performance and can provide long range, robust Bluetooth Smart connectivity.

The BGM111 integrates all of the necessary elements required for a Bluetooth Smart application: Bluetooth radio, software stack and GATT based profiles and it can also host end user applications, which means no external microcontroller is required in size, price or power constrained devices. The BGM111 Bluetooth Smart module also has highly flexible hardware interfaces to connect to different peripherals or sensors.

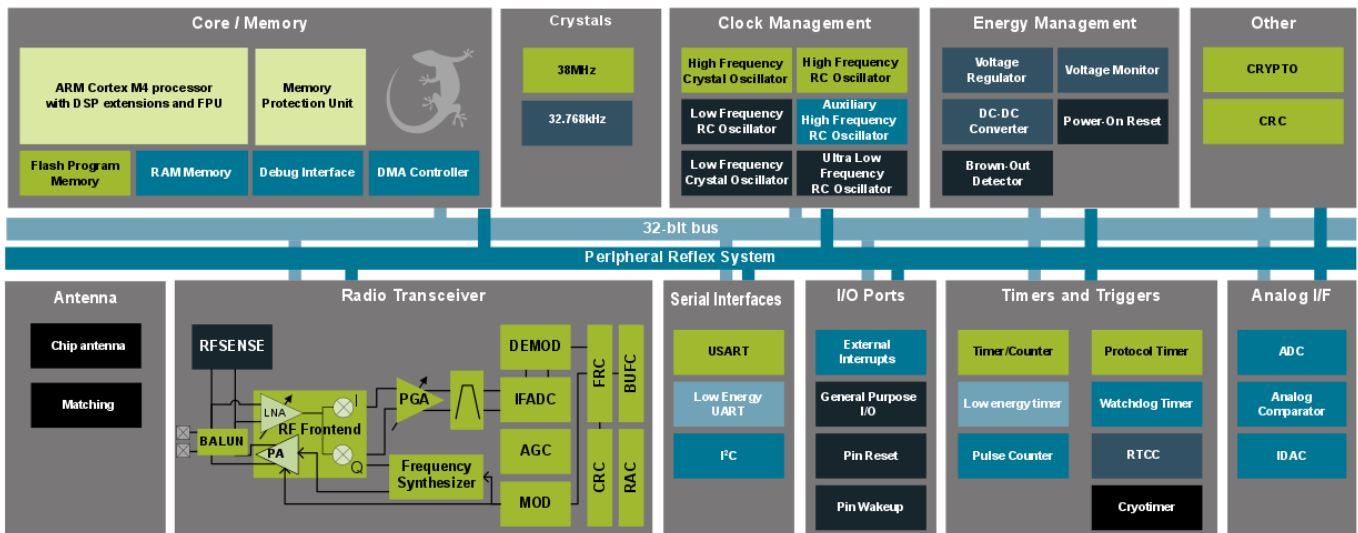
Although the BGM111 Bluetooth Smart Module is targeted at applications requiring high RF performance, it still has ultra-low power consumption and can be operated using a standard 3V coin cell battery.

BGM111 can be used in a wide variety of applications:

- Health and Fitness
- Point-of-Sales
- Consumer Electronics
- Automotive Aftermarket
- Industrial and Home Automation
- Others

KEY FEATURES

- Bluetooth 4.1 Compliant (Bluetooth Smart)
- Software upgradable to Bluetooth 4.2
- TX power: up to +8 dBm
- RX sensitivity: down to -92 dBm
- Range: up to 200 meters
- CPU core: 32-bit ARM® Cortex-M4
- Flash memory: 256 kB
- RAM: 32 kB
- Autonomous Hardware Crypto Accelerator and True Random Number Generator
- Integrated DC-DC Converter



Lowest power mode with peripheral operational:



1. Feature List

The highlighted features are listed below.

Bluetooth Features

- Bluetooth 4.1 Compliant
 - Software Upgradable to Bluetooth 4.2
- Central and Peripheral Roles
- Up to 6 x BLE Connections in Central Role

Radio Features

- Integrated Antenna
- TX Power (+8 dBm)
- RX Sensitivity (-92 dBm)
- Up to 200 meters LoS range

Software Features

- Integrated Bluetooth Smart Stack
- Any GATT based Bluetooth Smart Profile
- 100 kbps throughput over BLE
- BGAPI™ serial protocol over UART for modem (NCP) usage
- BGLIB™ host library which implements BGAPI serial protocol
- BGScript™ script and C programming for standalone usage
- Profile Toolkit™ for creating GATT based services

Hardware Interfaces

- UART host interface
- 2 x SPI, UART and 2 x I2C peripheral interfaces
- Up to 25 x GPIO with interrupts
- 4 x 12-bit ADC and 1 x 12-bit IDAC
- Internal temperature sensor
- Internal battery voltage measurement option
- Clock generator
- Real-time counter

MCU Features

- ARM® Cortex-M4F
- 40 MHz
- 32 kB RAM
- 256 kB Flash
- Advanced cryptography support

Electrical Characteristics

- Supply voltage: 1.8 V to 3.8 V with DC-DC bypass mode
- Supply voltage: 2.4 V to 3.8 V when using DC-DC
- 8.7 mA TX current at 0 dBm
- 8.8 mA RX current
- 63 µA/MHz @ Energy Mode 0
- 1.4 µA EM2 deep sleep current

Environmental/Regulatory

- Temperature range: -40C to +85C
- Bluetooth, CE, FCC and IC, Japan and South-Korea qualified

Dimensions

- W x L x H: 12.9 mm x 15.0 mm x 2.2 mm

2. Ordering Information

BGM111A256V1 (orderable part number) is the product code for a pre-production (non-certified) version of the Module based on rev A2 SoC. This (V1) product code is updated to production version (V2) when the logos of the official CE and FCC certifications are marked into the Module's metallic RF shield and the SoC used inside the Module is in mass production. The product code of the production version with the certification markings is BGM111A256V2R (1000 pcs cut reel) and BGM111A256V2 (100 pcs cut reel).

Note: The only visual difference between pre-production (V1) and production module (V2) versions will be the certification codes printed on the RF shield. Silicon Labs reserves the right to deliver BGM111A256V2R or BGM111A256V2 (production version) for customers ordering BGM111A256V1R or BGM111A256V1.

Part Number	Description	Features	
BGM111A256V1	BGM111 Bluetooth Smart Module with internal chip antenna Cut reel	Radio: Core: Memory: Antenna: Packaging: Status: Production PN:	Bluetooth Smart 4.1, +8 dBm TX ARM Cortex M4 32 kB RAM/256 kB flash chip 100 pcs cut reel pre-production samples BGM111A256V2
BGM111A256V1R	BGM111 Bluetooth Smart Module with internal chip antenna Full reel	Radio: Core: Memory: Antenna: Packaging: Status: Production PN:	Bluetooth Smart 4.1, +8 dBm TX ARM Cortex M4 32 kB RAM/256 kB flash chip 1000 pcs tape and reel pre-production samples BGM111A256V2R
SLWSTK6101A	Blue Gecko Bluetooth Smart Module Wireless Development Kit (WSTK)	BGM111 Radio Board WSTK Main Board Expansion Board (buttons, leds, accelerometer, joystick) Accessories	
BGM111A256V2	BGM111 Bluetooth Smart Module with internal chip antenna Cut reel	See BGM111A256V1	
BGM111A256V2R	BGM111 Bluetooth Smart Module with internal chip antenna Full reel	See BGM111A256V1R	
SLWSTK6101B	Blue Gecko Bluetooth Smart Module Wireless Development Kit (WSTK)	BGM111 Radio Board and BGM113 Radio Board WSTK Main Board Expansion Board (buttons, leds, accelerometer, joystick) Accessories	

3. Interfaces

This section describes the features and functionalities of the interfaces and peripherals.

3.1 USART

The Universal Synchronous/Asynchronous Receiver/Transmitter is a flexible serial I/O module. It supports full duplex asynchronous UART communication with hardware flow control as well as SPI.

If UART is used as BGAPI serial protocol host interface it is strongly recommended to use RTS and CTS signals for reliable data transmission.

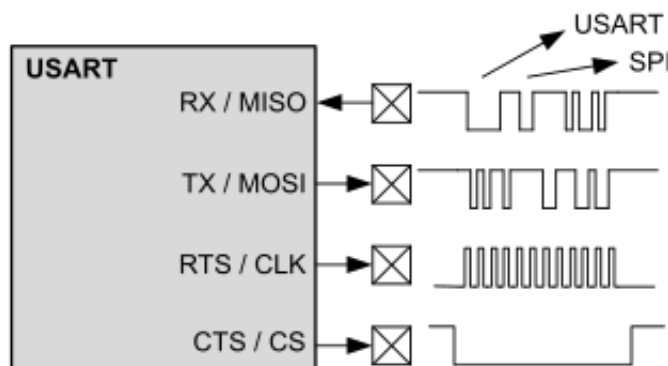


Figure 3.1. USART

3.2 Low Energy Universal Asynchronous Receiver/Transmitter (LEUART)

The unique LEUART™ provides two-way UART communication on a strict power budget. Only a 32.768 kHz clock is needed to allow UART communication up to 9600 baud. The LEUART includes all necessary hardware to make asynchronous serial communication possible with a minimum of software intervention and energy consumption.

3.3 I2C

The I2C module provides an interface between the MCU and a serial I2C bus. It is capable of acting as both a master and a slave. Standard-mode, fast-mode and fast-mode plus speeds are supported, allowing transmission rates from 10 kbit/s up to 1 Mbit/s.

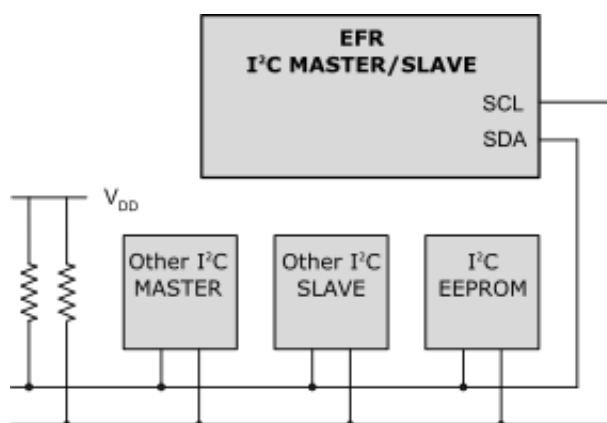


Figure 3.2. I2C

3.4 Timer/Counter (TIMER)

TIMER peripherals count events, generate PWM outputs. The core of each TIMER is a 16-bit counter.

3.5 Real Time Counter

The Real Time Counter is a 32-bit counter providing timekeeping in all energy modes and it is capable of providing system wake-up at user defined instances. The RTCC includes 128 bytes of general purpose data retention, allowing easy and convenient data storage in all energy modes.

3.6 Low Energy Timer (LETIMER)

The unique LETIMER™ is a 16-bit timer that is available in energy mode EM2 DeepSleep in addition to EM1 Sleep and EM0 Active. This allows it to be used for timing and output generation when most of the device is powered down, allowing simple tasks to be performed while the power consumption of the system is kept at an absolute minimum. The LETIMER can be used to output a variety of waveforms with minimal software intervention.

3.7 Ultra Low Power Wake-Up Timer (CRYOTIMER)

The CRYOTIMER is a 32-bit counter that is capable of running in all energy modes. It can be clocked by either the 32.768 kHz crystal oscillator (LFXO), the 32.768 kHz RC oscillator (LFRCO) or the 1 kHz RC oscillator (ULFRCO). It can provide periodic Wakeup events and PRS signals which can be used to wake up peripherals from any energy mode. The CRYOTIMER provides a wide range of interrupt periods, facilitating flexible ultra-low energy operation.

3.8 Pulse Counter (PCNT)

The Pulse Counter (PCNT) peripheral can be used for counting pulses on a single input or to decode quadrature encoded inputs.

3.9 General Purpose Input/Output (GPIO)

BGM111 has 25 General Purpose Input/Output pins. Each GPIO pin can be individually configured as either an output or input. More advanced configurations including open-drain, open-source, and glitch-filtering can be configured for each individual GPIO pin. The GPIO pins can be overridden by peripheral connections, like SPI communication. Each peripheral connection can be routed to several GPIO pins on the device. The GPIO subsystem supports asynchronous external pin interrupts.

When configured as GPIO output drive strength can be applied to pins on port by port basis and it can be either 1 mA or 10 mA.

3.10 Analog Comparator (ACMP)

The Analog Comparator is used to compare the voltage of two analog inputs, with a digital output indicating which input voltage is higher. Inputs are selected from among internal references and external pins. The tradeoff between response time and current consumption is configurable by software. The ACMP can also be used to monitor the supply voltage from software. An interrupt can be generated when the supply falls below or rises above a programmable threshold.

3.11 Analog to Digital Converter (ADC)

The ADC is a Successive Approximation Register (SAR) architecture, with a resolution of up to 12 bits up to 1 Msamples/sec. The output sample resolution is configurable and additional resolution is possible using integrated hardware for averaging over multiple samples. The ADC includes integrated voltage references and an integrated temperature sensor. Inputs are selectable from a wide range of source, including pins configurable as either single-ended or differential.

3.12 Digital to Analog Current Converter (IDAC)

The Digital to Analog Current Converter can source or sink a configurable constant current. This current can be driven on an output pin or routed to the selected ADC input pin for capacitive sensing. The current is programmable between 0.05 μ A and 64 μ A with several ranges with various step sizes.

3.13 Integrated DC-DC Converter (DC-DC)

The DC-DC buck converter covers a wide range of load currents and provides high efficiency in energy modes EM0, EM1, EM2 and EM3. The converter operates in active and bypass operating modes. Bypass mode may be entered when the input voltage is too low for efficient operation of the DC-DC converter. In Bypass mode, the DC-DC input supply is internally connected directly to its output through a low resistance switch. Bypass mode also supports in-rush current limiting to avoid dipping the input supply due to excessive current transients.

Note:

- When DC/DC is enabled, supply voltage range is 2.4V to 3.8V.
- When DC/DC is disabled, supply voltage range is 1.8V to 3.8V.

4. Antenna

This section contain design guidelines and recommendations for the BGM111 antenna.

4.1 PCB Design Guidelines

For optimal performance of the BGM111, please follow the following guidelines:

- Place the module at the edge of the PCB as shown in the the figure below.
- Do not place any metal (traces, components, battery etc.) within the clearance area of the antenna.
- Connect all the GND pins directly to a solid GND plane.
- Place the GND vias as close to the GND pins as possible.
- Do not place plastic or any other dielectric material in touch with the antenna.

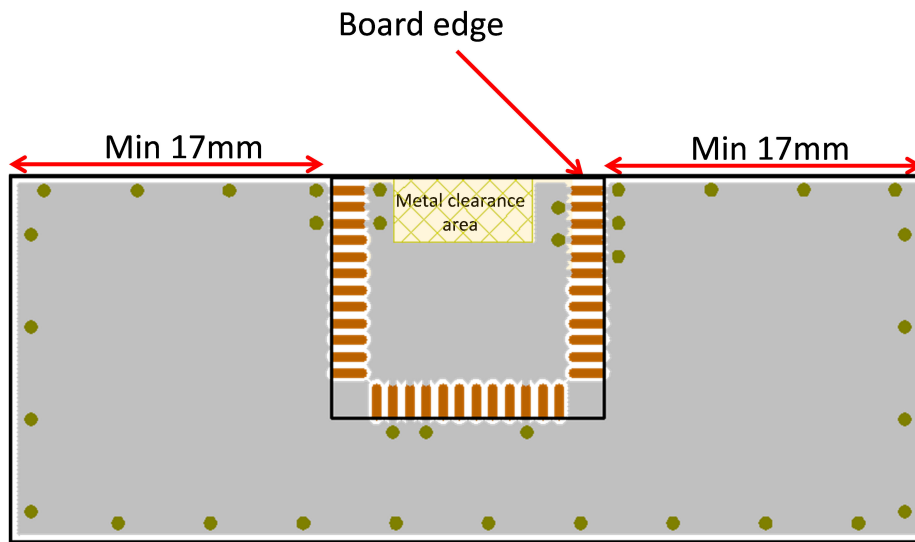


Figure 4.1. Recommended Layout for BGM111

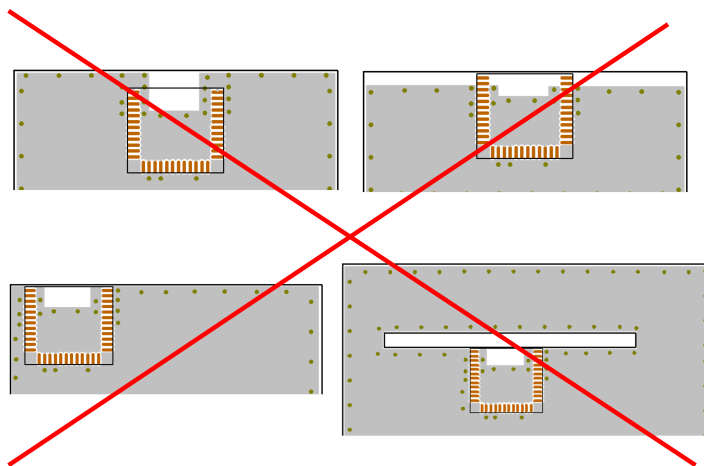


Figure 4.2. Poor Layouts for BGM111

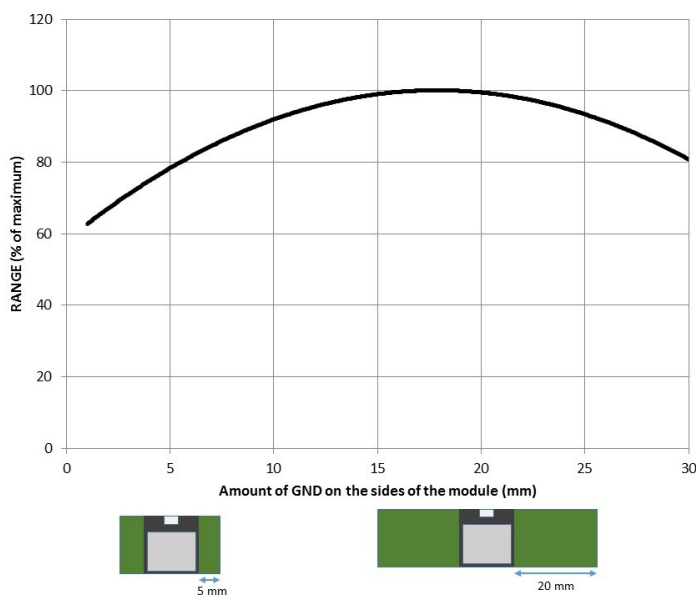


Figure 4.3. Impact of the Size of GND Plane to the BGM111 Range

4.2 Effect of Plastic and Metal Materials

Do not place plastic or any other dielectric material in touch with the antenna.

Any metallic objects in close proximity to the antenna will prevent the antenna from radiating freely. The minimum recommended distance of metallic and/or conductive objects is 10 mm in any direction from the antenna except in the directions of the application PCB ground planes.

4.3 Locating the Module Close to Human Body

Note: Placing the module in touch or very close to the human body will have a negative impact on the efficiency of the antenna thus reducing range.

5. Hardware Design Guidelines

The BMG111 is an easy-to-use module with regard to hardware application design but certain design guidelines must be followed to guarantee optimal performance. These guidelines are listed in the next sub-sections.

5.1 Power Supply Requirements

Coin cell batteries cannot withstand high peak currents (e.g. higher than 15 mA). If the peak current exceeds 15 mA it's recommended to place 47 - 100 μ F capacitor in parallel with the coin cell battery to improve the battery life time. Notice that the total current consumption of your application is a combination of the radio, peripherals and MCU current consumption so you must take all of these into account. BGM111 should be powered by a unipolar supply voltage with nominal value of 3.3 V. Operating voltage range of the module is 2.4 - 3.8 V when using the built-in DC/DC converter.

External high frequency bypass capacitors are not needed because the module contains the required supply filter capacitors. However, care should be taken to prevent strong switching noise from being superimposed on the supply line. Such noise can be generated e.g. by on-board charge pump converters used in RS232 level shifters. If this type of switching noise is present, a power filter circuit on the VDD input is recommended. Note that there is a total of about 4.8 μ F of low ESR ceramic capacitors on the VDD line inside the module. When using low-dropout linear regulators to generate a regulated supply for the VDD line, the stability of the regulator with the low ESR provided by these capacitors should be checked. Many linear regulators and also some switched mode regulators are not stable when using ceramic output capacitors. The datasheet of the regulator typically lists recommendations concerning suitable capacitors including data on ESR range and/or stability curves. A regulator which is stated "stable with ceramic capacitors" is recommended.

5.2 Power Saving Functions

EM power saving modes are automatically controlled by the firmware and it always enters the lowest possible power save mode possible depending on the radio, peripheral and software activity.

5.3 Reset Functions

The BGM111 can be reset by three different methods: by pulling the RESET line low, by the internal watchdog timer or software command. The reset state in BGM111 does not provide any power saving functionality and thus is not recommended as a means to conserve power. BGM111 has an internal system power-up reset function. The RESET pin includes an on-chip pull-up resistor and can therefore be left unconnected if no external reset switch or source is needed.

5.4 Debug and Firmware Updates

This section contains information on debug and firmware update methods.

5.4.1 JTAG

It is recommended to expose the JTAG debug pins in your own hardware design for firmware update and debug purposes. The following table lists the required pins for JTAG connection.

The debug pins have pull-down and pull-up enabled by default, so leaving them enabled may increase current consumption if left connected to supply or ground. If enabling the JTAG pins the module must be power cycled to enable a SWD debug session.

Table 5.1. JTAG Pads

PAD NAME	PAD NUMBER	JTAG SIGNAL NAME	COMMENTS
PF3	24	TDI	This pin is disabled after reset. Once enabled the pin has a built-in pull-up.
PF2	23	TDO	This pin is disabled after reset
PF1	22	TMS	Pin is enabled after reset and has a built-in pull-up
PF0	21	TCK	Pin is enabled after reset and has a built-in pull-down

5.4.2 DFU

It is also possible to update the firmware over UART using DFU protocol. However the bootloader cannot be updated using DFU but requires that the firmware is updated using JTAG.

6. Bluetooth Stack Software

Silicon Labs' Bluetooth Smart Software is a complete Bluetooth Smart software stack for the BGM111 Bluetooth Smart module. The software implements a full Bluetooth LE compatible stack and L2CAP, RFCOMM, SMP and ATT protocols along with any GATT based Bluetooth Smart profiles.

The Bluetooth Smart Ready Software also is supported by a complete SDK for developing Bluetooth Smart applications using either an external host with the BGAPI™ serial protocol over UART or fully standalone applications based on a simple scripting language called BGScript™.

Several profiles and software project examples are offered as part of the Bluetooth Smart SDK to help expedite the development of Bluetooth Smart compatible end-user products.

The main parts of the Bluetooth Smart software stack are shown below.

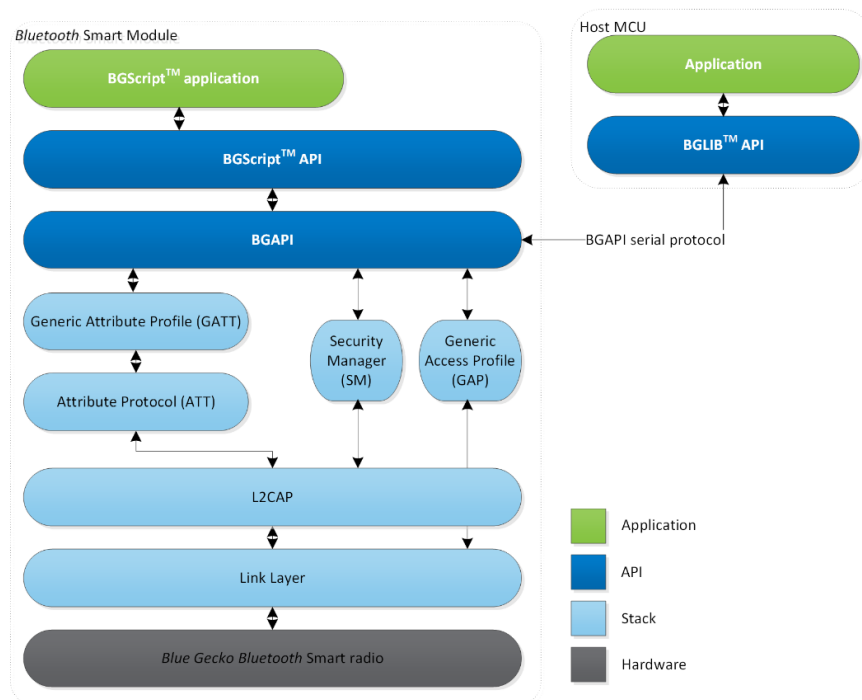


Figure 6.1. Bluetooth Smart Ready Software Stack

Note: To learn more about the Bluetooth Smart software stack, the SDK, and the APIs please read *QSG108: Blue Gecko Bluetooth Smart Software Quick-Start Guide*.

7. Host Interface

This section contains information about the host interface available on the BGM111 module.

7.1 UART

The BGM111 can be controlled over the UART interface as a peripheral to an external processor. In order for the communication to be reliable, hardware flow control signals (RTS and CTS) must be present between the host and the module. For baud rates exceeding 115200 kbps the controlling processor should have a clock frequency accurate to within 1% in order for the UART signaling to work reliably.

When UART is used as a host interface (network co-processor mode) two optional I/O pins can be used either to wake-up the BGM111 from EM2 sleep mode when the host has commands or data to send or alternatively to wake-up the host when the BGM111 has events or data to the host.

Default UART settings are listed below:

Table 7.1. BGM111 UART Interface Default Settings

Parameter	Default setting
UART baud rate	115200 kbs
RTS/CTS flow control	Enabled
Data bits	8
Parity	None
Stop bits	1

The figure below shows the recommended layout for connecting BGM111 with an external host.

Note: A programming connector as shown in the figure below must be available in the design for BGM111 firmware update.

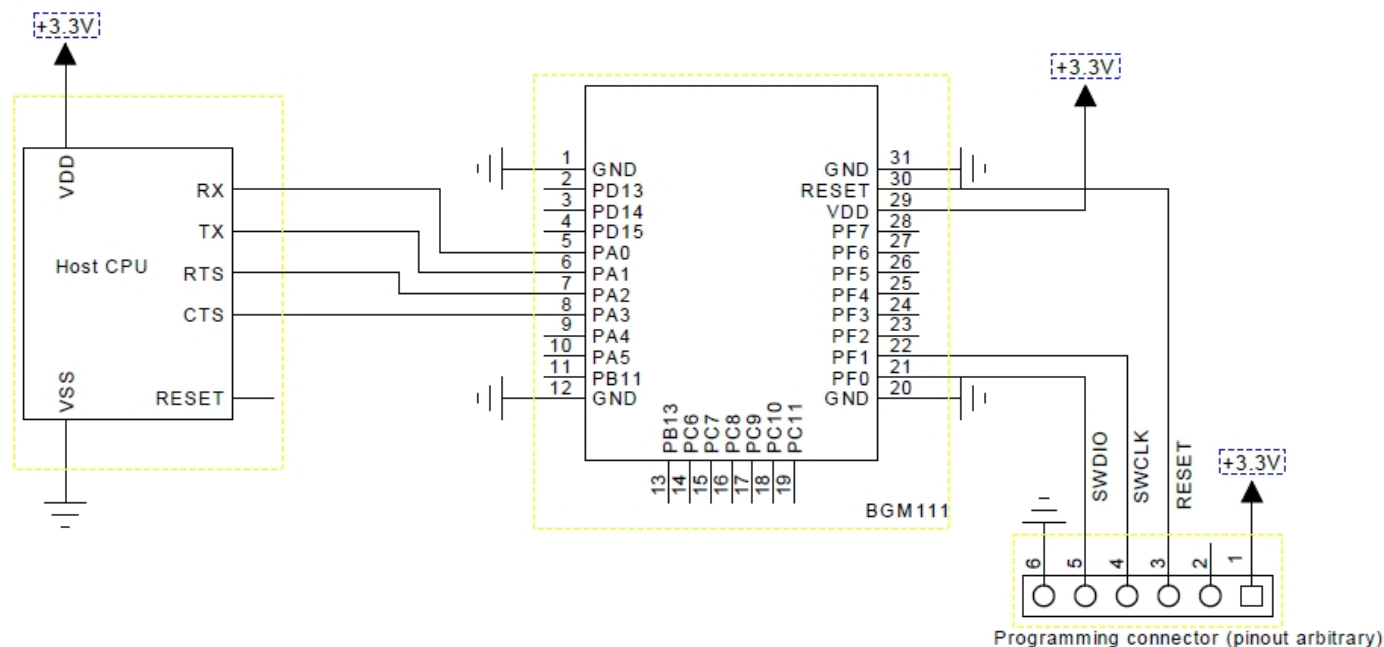


Figure 7.1. Connecting BGM111 with an external host

8. Electrical Characteristics

Table 8.1. Absolute Maximum Ratings

Parameter	Min	Max	Unit
Storage temperature	-50	150	°C
VDD	-0.3	3.8	V
5 V tolerant GPIO voltages	-0.3	5.25 ¹	V
Other terminal voltages	-0.3	VDD+0.3	V

Note:
1. 5.25 V or VDD + 2 V, whichever is less.

Table 8.2. Recommended Operating Conditions

Rating	Min	Max	Unit
Operating Temperature Range	-40	85	°C
VDD (when using internal DC/DC)	2.4	3.8	V
VDD (when DC/DC is in bypass mode)	1.8	3.8	V
VDD (when operating ADC or DAC)	1.8	3.8	V

Logic Signal Characteristics

Table 8.3. I/O Terminal Electrical Characteristics

I/O Terminals	Min	Typ	Max	Unit
Input voltage levels				
VIL input logic level low $1.7\text{ V} \leq \text{VDD} \leq 3.6\text{ V}$	-0.3	—	0.3VDD	V
VIH input logic level high $1.7\text{ V} \leq \text{VDD} \leq 3.6\text{ V}$	0.7 VDD	—	VDD + 0.3	V
Output Voltage Levels				
VOL output logic level low, Vdd = 3.3 V, Iol = 3 mA, weak driver	—	—	0.2 x VDD	V
VOH output logic level high Vdd = 3.3 V, Ioh = -3 mA, weak driver	0.8 x VDD	—	—	V
VOH output logic level high Vdd = 3.3 V, Ioh = 20 mA, strong driver	—	—	0.2 x VDD	V
VOH output logic level high Vdd = 3.3 V, Ioh = -20 mA, strong driver	0.8 x VDD	—	—	V

Table 8.4. Reset Signal Characteristics

Power-on Reset	Min	Typ	Max	Unit
Power on reset threshold (rising edge)	1.84	1.92	2.00	V
Power on reset threshold (falling edge)	1.80	1.88	1.96	V
RESET signal pulse width (pulled low)	500	—	—	ns

Table 8.5. Analog Digital Converter (ADC) Characteristics

Power-on Reset	Min	Typ	Max	Unit
ADC input impedance	—	670	—	kohm
ADC input voltage range	0	—	2 x VREF	V
Resolution (Programmable)	6	—	12	bits
Sampling Rate	—	—	1	MSps
Offset Error	—	1	—	LSB
Differential nonlinearity error	-1	—	1	LSB
Integral nonlinearity error	-3	—	3	LSB

Table 8.6. Current Digital Analog Converter (IDAC) Characteristics

Power-on Reset	Min	Typ	Max	Unit
Steps per range	—	31	—	
DAC output current range (range 0)	0.05	—	1.6	μA
DAC output current range (range 1)	1.6	—	4.6	μA
DAC output current range (range 2)	0.5	—	16	μA

Power-on Reset	Min	Typ	Max	Unit
DAC output current range (range 3)	2	—	64	μA
Total error (continuous mode)	-1	—	1	%
Total error (duty cycle mode)	-2	—	2	%
Settling time to 1% (range changed)	—	—	5	μs
Settling time to 1% (step changed)	—	—	1	μs

Power Consumption

Table 8.7. Typical Power Consumption of Different Operating Modes

Operation State	Current	Unit	Description
Transmit, +8 dBm, 1 Mbps	26.3	mA	Continuous packet transmission (average value)
Transmit, 0 dBm	8.8	mA	Continuous packet transmission (average value)
Receive	8.7	mA	Continuous packet receive (average value)
Radio off, CPU active	TBD	μA/MHz	
Radio off, CPU idle	TBD	μA/MHz	
EM2 sleep mode	1.4	μA	RTC running, full RAM retention
EM3 sleep mode	TBD	μA	
EM4 sleep mode	TBD	μA	
Shutdown mode	TBD	μA	RTC running, 128B RAM retention
Full shutdown mode	TBD	μA	No RTC, no RAM retention

Table 8.8. Typical Power Consumption in Practical Use Cases

Operating Mode	Current	Unit
LE advertising, discoverable	TBD	μA
LE connected, master	TBD	μA
LE connected, slave	TBD	μA

9. RF Characteristics

Table 9.1. Supported Frequencies and Channels

Parameter	Min	Max	Unit
Frequency	2402	2480	MHz

Table 9.2. Typical Receiver Sensitivity

Packet type	-40 °C	20 °C	85 °C	Unit
LE	TBD	-92	TBD	dBm

Table 9.3. Transmitter Output Power at Maximum Setting

Modulation type	Min	Typ	Max	Unit
LE	+6.5	+8	+9	dBm

9.1 Antenna Characteristics

Table 9.4. BGM111 Antenna Efficiency and Peak Gain

Parameter	With optimal layout	Note
Efficiency	-2 dB	Efficiency and peak gain depend on the application PCB layout and mechanical design
Peak gain	+1 dBi	

9.2 2D Radiation Pattern Plots

2D pattern, front view

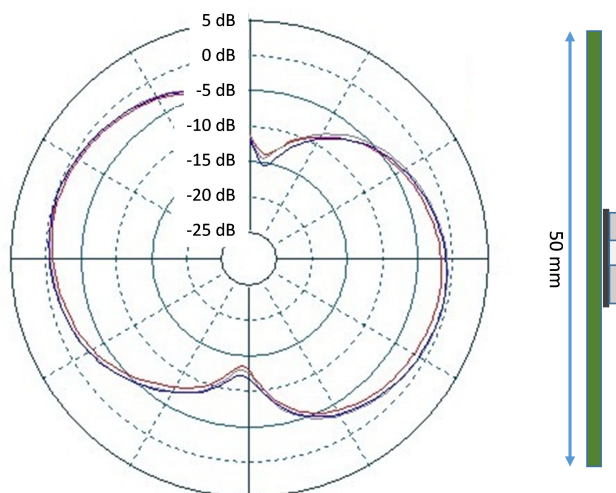


Figure 9.1. Typical 2D Radiation Pattern – Front View

2D pattern, side view

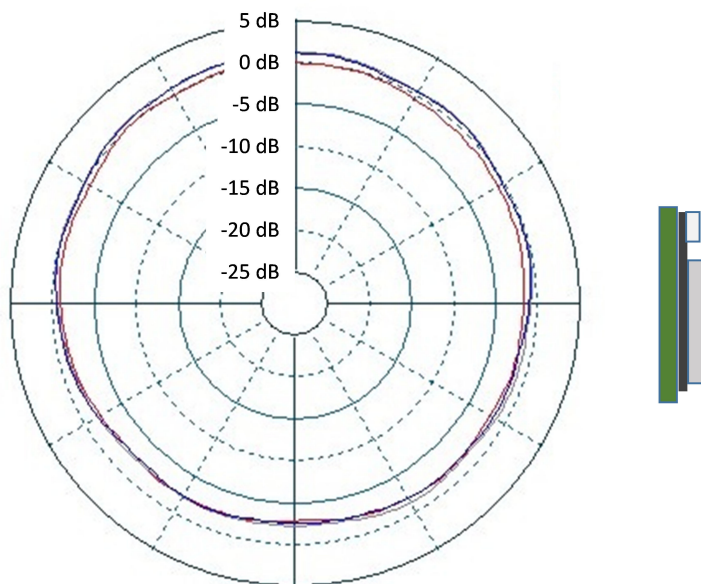


Figure 9.2. Typical 2D Radiation Pattern – Side View

2D pattern, top view

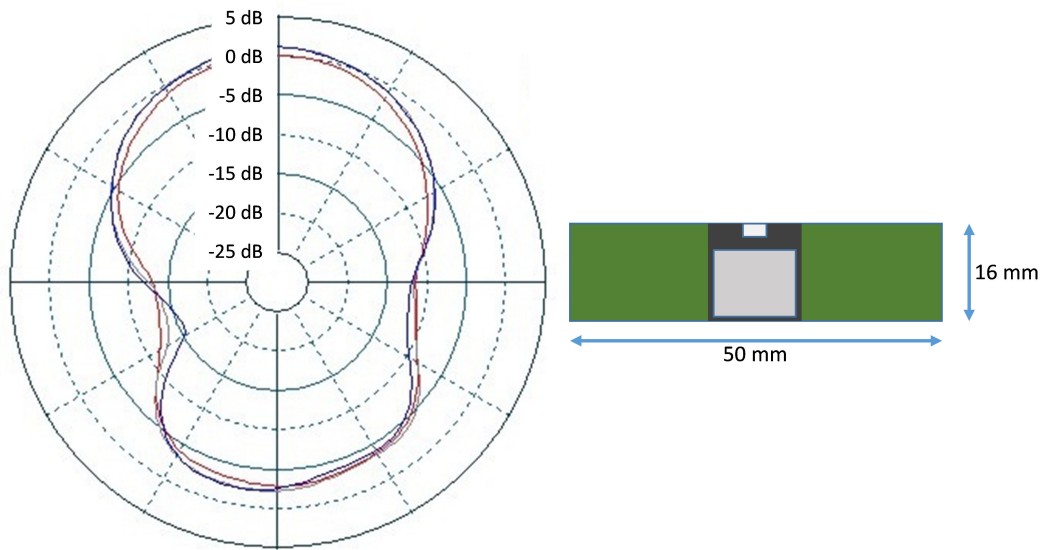


Figure 9.3. Typical 2D Radiation Pattern – Top View

10. Pinout

This section contains a description of the BGM111 pin-out. Each pin may have one or more functions which are all listed in tables. The pin-out is shown in the figure below.

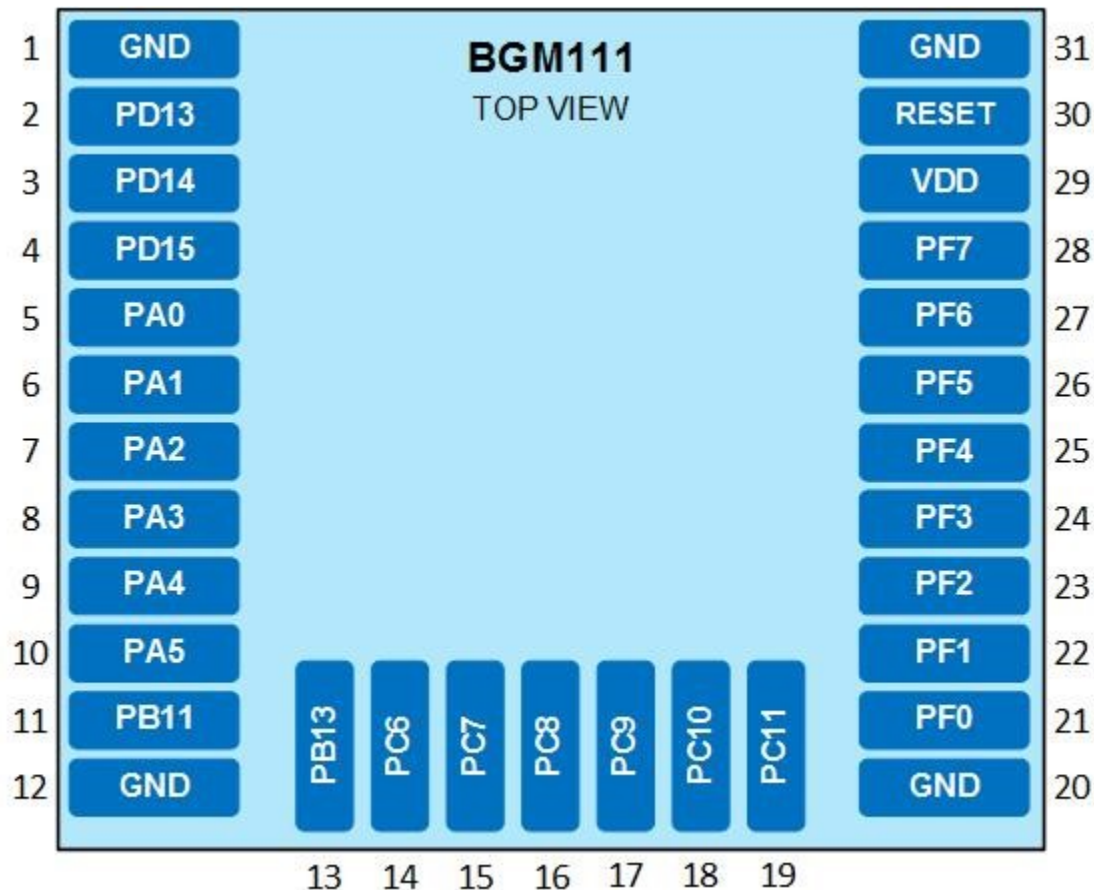


Figure 10.1. BGM111 Pinout (Top View)

10.1 Power, Ground, and Reset Pins

Power supply, ground, and reset signal related pins are listed in the table below.

Table 10.1. Power, Ground, and Reset Pins

Pad Number	Function	Description
29	VDD	Module power supply
1, 12, 20, 31	GND	Ground, connected together internally but should all be connected directly to a solid ground plane with vias in close proximity to the pads, especially on the antenna end.
30	RESET	Module reset signal. Pulling RESET low will reset the internal processor. This pin has an internal pull-up and can be left floating if not needed.

GPIO Assignments																													
Port Name		PA					PB		PC							PD				PF								Comment	
Port Pin		0	1	2	3	4	5	11	13	6	7	8	9	10	11	13	14	15	0	1	2	3	4	5	6	7			
Pad Number		5	6	7	8	9	10	11	13	14	15	16	17	18	19	2	3	4	21	22	23	24	25	26	27	28			
US1_RX	MISO	•	•	•	•	•	•	•	•	•	•	•	•	•	•	•	•	•	•	•	•	•	•	•	•	•	RX	MISO	
US1_TX	MOSI	•	•	•	•	•	•	•	•	•	•	•	•	•	•	•	•	•	•	•	•	•	•	•	•	•	TX	MOSI	
LEUART 0																													
LEU0_RX		•	•	•	•	•	•	•	•	•	•	•	•	•	•	•	•	•	•	•	•	•	•	•	•	•			
LEU0_TX		•	•	•	•	•	•	•	•	•	•	•	•	•	•	•	•	•	•	•	•	•	•	•	•	•			
TIMER																													
TIM0_CC0		•	•	•	•	•	•	•	•	•	•	•	•	•	•	•	•	•	•	•	•	•	•	•	•	•			
TIM0_CC1		•	•	•	•	•	•	•	•	•	•	•	•	•	•	•	•	•	•	•	•	•	•	•	•	•			
TIM0_CC2		•	•	•	•	•	•	•	•	•	•	•	•	•	•	•	•	•	•	•	•	•	•	•	•	•			
TIM0_CDTI0		•	•	•	•	•	•	•	•	•	•	•	•	•	•	•	•	•	•	•	•	•	•	•	•	•			
TIM0_CDTI1		•	•	•	•	•	•	•	•	•	•	•	•	•	•	•	•	•	•	•	•	•	•	•	•	•			
TIM0_CDTI2		•	•	•	•	•	•	•	•	•	•	•	•	•	•	•	•	•	•	•	•	•	•	•	•	•			
TIM1_CC0		•	•	•	•	•	•	•	•	•	•	•	•	•	•	•	•	•	•	•	•	•	•	•	•	•			
TIM1_CC1		•	•	•	•	•	•	•	•	•	•	•	•	•	•	•	•	•	•	•	•	•	•	•	•	•			
TIM1_CC2		•	•	•	•	•	•	•	•	•	•	•	•	•	•	•	•	•	•	•	•	•	•	•	•	•			
TIM1_CC3		•	•	•	•	•	•	•	•	•	•	•	•	•	•	•	•	•	•	•	•	•	•	•	•	•			
LOW ENERGY TIMER																													
LETIM0_OUT0		•	•	•	•	•	•	•	•	•	•	•	•	•	•	•	•	•	•	•	•	•	•	•	•	•			
LETIM0_OUT1		•	•	•	•	•	•	•	•	•	•	•	•	•	•	•	•	•	•	•	•	•	•	•	•	•			
ACMP0																													
1X										•		•		•					•		•		•		•				
1Y											•		•		•					•		•		•					
2X											•		•		•					•		•		•					
2Y											•		•		•					•		•		•					
3X		•		•															•										
3Y			•		•		•	•	•											•		•							
4X			•		•		•	•	•											•		•							
4Y		•		•																•									
ACMP 1																													
1X										•		•		•					•		•		•		•				
1Y											•		•		•					•		•		•					
2X											•		•		•					•		•		•					
2Y											•		•		•					•		•		•					
3X		•		•																•									

GPIO Assignments																											
Port Name	PA					PB		PC							PD			PF							Comment		
Port Pin	0	1	2	3	4	5	11	13	6	7	8	9	10	11	13	14	15	0	1	2	3	4	5	6		7	
Pad Number	5	6	7	8	9	10	11	13	14	15	16	17	18	19	2	3	4	21	22	23	24	25	26	27		28	
3Y		•		•		•	•	•								•	•										
4X		•		•		•	•	•								•	•										
4Y	•		•		•											•											
ADC0																											
1X										•		•		•					•		•		•		•		
1Y										•		•		•					•		•		•		•		
2X										•		•		•					•		•		•		•		
2Y										•		•		•					•		•		•		•		
3X	•		•		•											•											
3Y		•		•		•	•	•								•	•										
4X		•		•		•	•	•								•	•										
4Y	•		•		•											•											
IDAC0																											
1X	•		•		•											•											
1Y		•		•		•	•	•								•	•										
PULSE COUNTER																											
PCNT0_S0IN	•	•	•	•	•	•	•	•	•	•	•	•	•	•	•	•	•	•	•	•	•	•	•	•	•		
PCNT0_S1IN	•	•	•	•	•	•	•	•	•	•	•	•	•	•	•	•	•	•	•	•	•	•	•	•	•		
CLOCK MANAGEMENT																											
CMU_CLK0		•								•				•		•				•					•		
CMU_CLK1	•									•			•			•				•			•		•		

11. Physical Dimensions

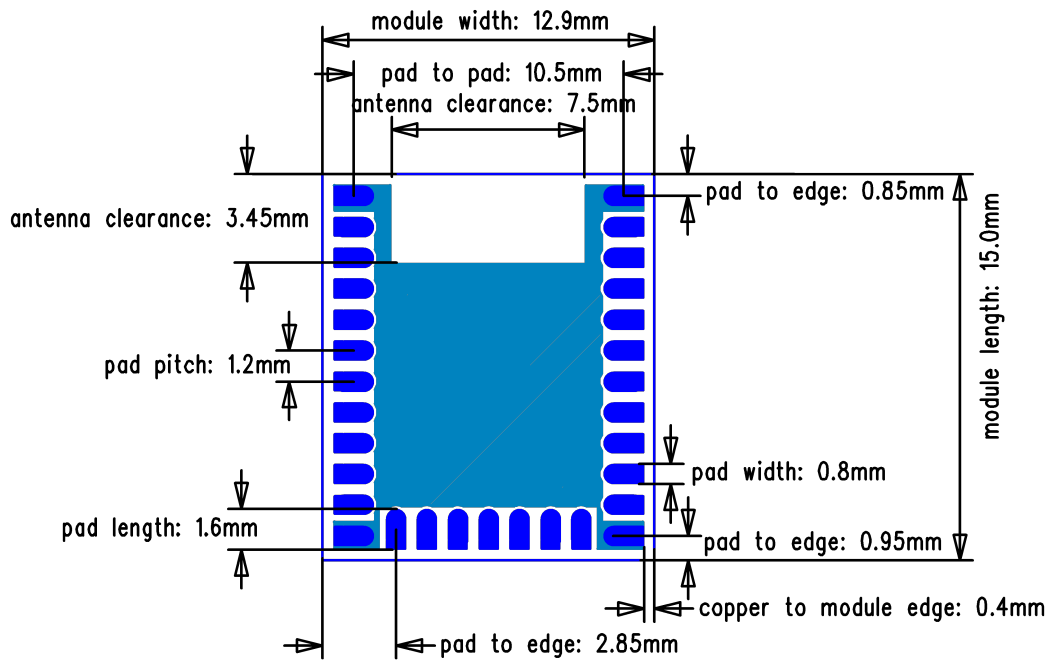


Figure 11.1. Module Physical Dimensions

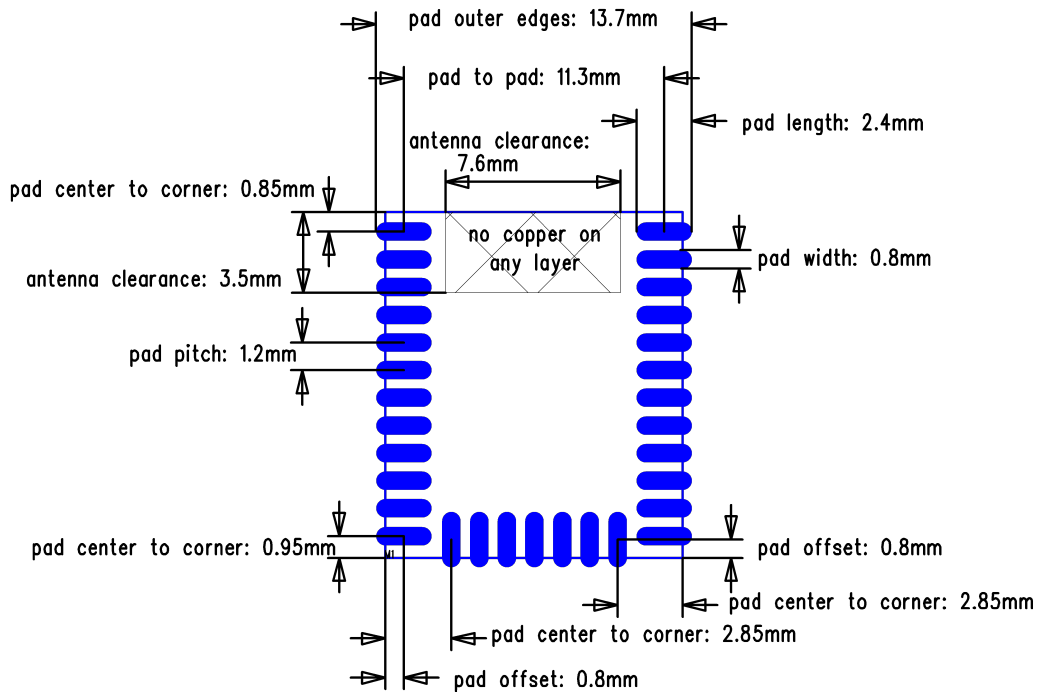


Figure 11.2. Module Recommended PCB Pad Pattern

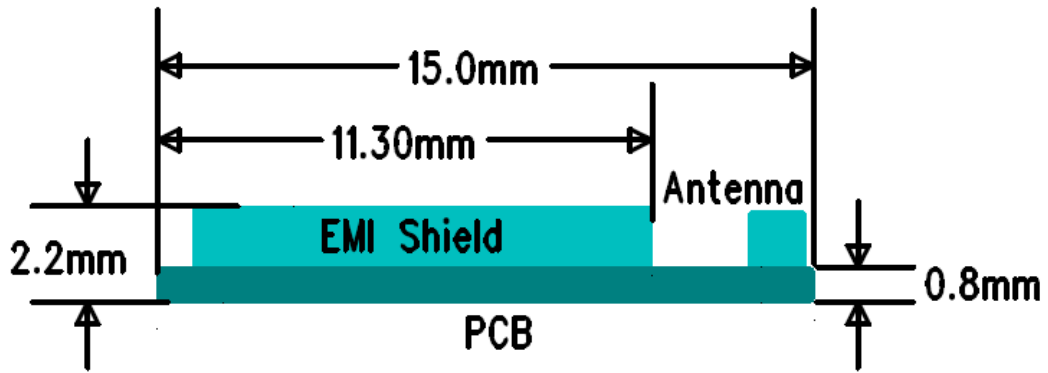


Figure 11.3. Module Side View Dimensions

12. Soldering Recommendations

The BGM111 is compatible with industrial standard reflow profile for Pb-free solders. The reflow profile used is dependent on the thermal mass of the entire populated PCB, heat transfer efficiency of the oven and particular type of solder paste used. Consult the data-sheet of particular solder paste for profile configurations.

The following recommendations for soldering the module to ensure reliable solder joint and operation of the module after soldering. Since the profile used is process and layout dependent, the optimum profile should be studied case by case. Thus following recommendation should be taken as a starting point guide.

- Refer to technical documentations of particular solder paste for profile configurations
- Avoid using more than one flow.
- Reliability of the solder joint and self-alignment of the component are dependent on the solder volume. Minimum of 150 µm stencil thickness is recommended.
- Aperture size of the stencil should be 1:1 with the pad size.
- A low residue, “no clean” solder paste should be used due to low mounted height of the component.
- If the vias used on the application board have a diameter larger than 0.3 mm, it is recommended to mask them at the module side to prevent solder wicking through the via holes. Solders have a tendency to fill holes and leave voids in the thermal pad solder junction, as well as form solder balls on the other side of the application board which can in some cases be problematic.

13. Certifications

Note:

Some of the certifications for the BGM111 Bluetooth Smart Module are pending.

13.1 Disclaimer

Bluetooth specification and CE power spectral density requirements limit the absolute maximum TXP of Bluetooth LE devices to 10 dBm in all conditions. In FCC SAR testing is not required in any end product installation if the TXP is lower than 9 mW. In order to be compliant with these regulations in all conditions, BGM111 has been certified with nominal 8 dBm TXP. Manipulation of the TXP to higher values than 8 dBm is not allowed.

13.2 Bluetooth

Bluetooth qualifications for the BGM111 Bluetooth Smart Module are pending.

13.3 CE

The BGM111 Bluetooth Smart Module is in conformity with the essential requirements and other relevant requirements of the R&TTE Directive (1999/5/EC). This device is compliant with the following standards:

- Safety: EN 60950
- EMC: EN 301 489
- Spectrum: EN 300 328

A formal DoC is available from www.silabs.com.

13.4 FCC

This device complies with Part 15 of the FCC Rules. Operation is subject to the following two conditions:

1. This device may not cause harmful interference, and
2. This device must accept any interference received, including interference that may cause undesirable operation.

Any changes or modifications not expressly approved by Silicon Labs could void the user's authority to operate the equipment.

FCC RF Radiation Exposure Statement:

This equipment complies with FCC radiation exposure limits set forth for an uncontrolled environment. End users must follow the specific operating instructions for satisfying RF exposure compliance. This transmitter meets both portable and mobile limits as demonstrated in the RF Exposure Analysis. This transmitter must not be co-located or operating in conjunction with any other antenna or transmitter except in accordance with FCC multi-transmitter product procedures. As long as the above condition is met, further transmitter testing will not be required. However, the OEM integrator is still responsible for testing their end-product for any additional compliance requirements required with this module installed (for example, digital device emissions, PC peripheral requirements, etc.).

OEM Responsibilities to comply with FCC Regulations

The BGM111 Bluetooth Smart Module has been certified for integration into products only by OEM integrators under the following condition:

- The antenna(s) must be installed such that a minimum separation distance of 0 mm is maintained between the radiator (antenna) and all persons at all times.
- The transmitter module must not be co-located or operating in conjunction with any other antenna or transmitter except in accordance with FCC multi-transmitter product procedures.

As long as the conditions above are met, further transmitter testing will not be required. However, the OEM integrator is still responsible for testing their end-product for any additional compliance requirements required with this module installed (for example, digital device emissions, PC peripheral requirements, etc.).

Note:

In the event that this condition cannot be met (for certain configurations or co-location with another transmitter), then the FCC authorization is no longer considered valid and the FCC ID cannot be used on the final product. In these circumstances, the OEM integrator will be responsible for re-evaluating the end product (including the transmitter) and obtaining a separate FCC authorization.

End Product Labeling

The BGM111 Bluetooth Smart Module is labeled with its own FCC ID. If the FCC ID is not visible when the module is installed inside another device, then the outside of the device into which the module is installed must also display a label referring to the enclosed module. In that case, the final end product must be labeled in a visible area with the following:

"Contains Transmitter Module FCC ID: QOQBGM111"

or

"Contains FCC ID: QOQBGM111"

The OEM integrator must not provide information to the end user regarding how to install or remove this RF module or change RF related parameters in the user manual of the end product.

13.5 IC

IC (English)

This radio transmitter has been approved by Industry Canada to operate with the embedded chip antenna. Other antenna types are strictly prohibited for use with this device.

This device complies with Industry Canada's license-exempt RSS standards. Operation is subject to the following two conditions:

1. This device may not cause interference; and
2. This device must accept any interference, including interference that may cause undesired operation of the device.

RF Exposure Statement

Exception from routine SAR evaluation limits are given in RSS-102 Issue 5. BGM111 Bluetooth Smart Module meets the given requirements when the minimum separation distance to human body is 15 mm. RF exposure or SAR evaluation is not required when the separation distance is 15 mm or more. If the separation distance is less than 15 mm the OEM integrator is responsible for evaluating the SAR.

OEM Responsibilities to comply with IC Regulations

The BGM111 Bluetooth Smart Module has been certified for integration into products only by OEM integrators under the following conditions:

- The antenna(s) must be installed such that a minimum separation distance of 15 mm is maintained between the radiator (antenna) and all persons at all times.
- The transmitter module must not be co-located or operating in conjunction with any other antenna or transmitter.

As long as the two conditions above are met, further transmitter testing will not be required. However, the OEM integrator is still responsible for testing their end-product for any additional compliance requirements required with this module installed (for example, digital device emissions, PC peripheral requirements, etc.).

Note: In the event that these conditions cannot be met (for certain configurations or co-location with another transmitter), then the IC authorization is no longer considered valid and the IC ID cannot be used on the final product. In these circumstances, the OEM integrator will be responsible for re-evaluating the end product (including the transmitter) and obtaining a separate IC authorization.

End Product Labeling

The BGM111 Bluetooth Smart module is labeled with its own IC ID. If the IC ID is not visible when the module is installed inside another device, then the outside of the device into which the module is installed must also display a label referring to the enclosed module. In that case, the final end product must be labeled in a visible area with the following:

"Contains Transmitter Module IC: 5123A-BGM111"

or

"Contains IC: 5123A-BGM111"

The OEM integrator has to be aware not to provide information to the end user regarding how to install or remove this RF module or change RF related parameters in the user manual of the end product.

IC (Français)

Cet émetteur radio (IC : 5123A-BGM111) a reçu l'approbation d'Industrie Canada pour une exploitation avec l'antenne puce incorporée. Il est strictement interdit d'utiliser d'autres types d'antenne avec cet appareil.

Le présent appareil est conforme aux CNR d'Industrie Canada applicables aux appareils radio exempts de licence. L'exploitation est autorisée aux deux conditions suivantes:

1. L'appareil ne doit pas produire de brouillage;
2. L'utilisateur de l'appareil doit accepter tout brouillage radioélectrique subi, même si le brouillage est susceptible d'en compromettre le fonctionnement.

Déclaration relative à l'exposition aux radiofréquences (RF)

Les limites applicables à l'exemption de l'évaluation courante du DAS sont énoncées dans le CNR 102, 5e édition. L'appareil BGM111 répond aux exigences données quand la distance de séparation minimum par rapport au corps humain est inférieure ou égale à 15 mm. L'évaluation de l'exposition aux RF ou du DAS n'est pas requise quand la distance de séparation est de 15 mm ou plus. Si la distance de séparation est inférieure à 15 mm, il incombe à l'intégrateur FEO d'évaluer le DAS.

Responsabilités du FEO ayant trait à la conformité avec les règlements IC

Le module BGM111 a été certifié pour une intégration dans des produits uniquement par les intégrateurs FEO dans les conditions suivantes:

- La ou les antennes doivent être installées de telle façon qu'une distance de séparation minimum de 15 mm soit maintenue entre le radiateur (antenne) et toute personne à tout moment.
- Le module émetteur ne doit pas être installé au même endroit ou fonctionner conjointement avec toute autre antenne ou émetteur.

Dès lors que les deux conditions ci-dessus sont respectées, d'autres tests de l'émetteur ne sont pas obligatoires. Cependant, il incombe toujours à l'intégrateur FEO de tester la conformité de son produit final vis-à-vis de toute exigence supplémentaire avec ce module installé (par exemple, émissions de dispositifs numériques, exigences relatives aux matériels périphériques PC, etc).

Note: S'il s'avère que ces conditions ne peuvent être respectées (pour certaines configurations ou la colocation avec un autre émetteur), alors l'autorisation IC n'est plus considérée comme valide et l'identifiant IC ne peut plus être employé sur le produit final. Dans ces circonstances, l'intégrateur FEO aura la responsabilité de réévaluer le produit final (y compris l'émetteur) et d'obtenir une autorisation IC distincte.

Étiquetage du produit final

L'étiquette du module BGM111 porte son propre identifiant IC. Si l'identifiant IC n'est pas visible quand le module est installé à l'intérieur d'un autre appareil, l'extérieur de l'appareil dans lequel le module est installé doit aussi porter une étiquette faisant référence au module qu'il contient. Dans ce cas, une étiquette comportant les informations suivantes doit être collée sur une partie visible du produit final.

"Contient le module émetteur IC: 5123A-BGM111"

or

"Contient IC : 5123A-BGM111"

L'intégrateur FEO doit être conscient de ne pas fournir d'informations à l'utilisateur final permettant d'installer ou de retirer ce module RF ou de changer les paramètres liés aux RF dans le mode d'emploi du produit final.

13.6 MIC Japan

The certification of BGM111 Bluetooth Smart Module in Japan is pending.

Certification number: **TBD**.

Since September 1, 2014 it is allowed (and highly recommended) that a manufacturer who integrates a radio module in their host equipment can place the certification mark and certification number (the same marking/number as depicted on the label of the radio module) on the outside of the host equipment. The certification mark and certification number must be placed close to the text in the Japanese language which is provided below. This change in the Radio Law has been made in order to enable users of the combination of host and radio module to verify if they are actually using a radio device which is approved for use in Japan.

当該機器には電波法に基づき、技術基準適合証明等を受けた特定無線設備を装着している。

Figure 13.1. Text to be placed on the housing of the end-user device

Translation of the text in the figure above:

"This equipment contains specified radio equipment that has been certified to the Technical Regulation Conformity Certification under the Radio Law."

13.7 KC South-Korea

The certification of BGM111 Bluetooth Smart Module in South-Korea is pending.

Certification number: **TBD**.

14. Revision History

Revision 0.96

February 10th, 2016

- Ordering information updated
- FCC and IC codes corrected.

Revision 0.95

January 28th, 2016

- Certification status updated.
- Current consumption figures added.
- New block diagram.

Revision 0.94

- Disclaimer section added to Certificates main section.
- Technical specification tables TBD values edited partially.

Revision 0.93

- Added a schematics to show connection principle with external host.

Revision 0.92

- Corrected supply voltage range.

Revision 0.91

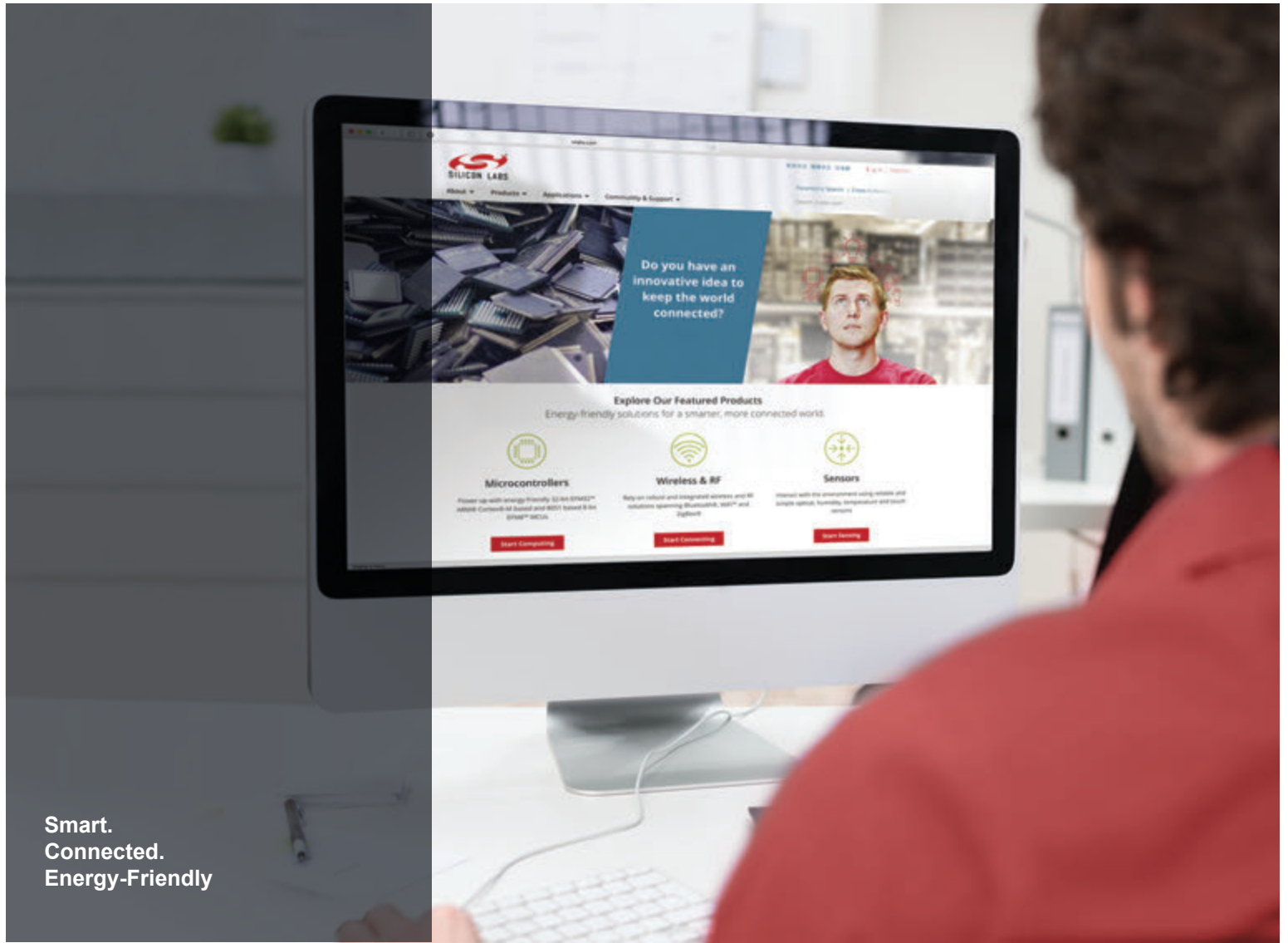
- Style Changes.

Revision 0.90

- Preliminary.

1. Feature List	1
2. Ordering Information	2
3. Interfaces.	3
3.1 USART	3
3.2 Low Energy Universal Asynchronous Receiver/Transmitter (LEUART)	3
3.3 I2C	3
3.4 Timer/Counter (TIMER)	3
3.5 Real Time Counter	4
3.6 Low Energy Timer (LETIMER)	4
3.7 Ultra Low Power Wake-Up Timer (CRYOTIMER)	4
3.8 Pulse Counter (PCNT)	4
3.9 General Purpose Input/Output (GPIO).	4
3.10 Analog Comparator (ACMP)	4
3.11 Analog to Digital Converter (ADC).	4
3.12 Digital to Analog Current Converter (IDAC)	4
3.13 Integrated DC-DC Converter (DC-DC)	4
4. Antenna	5
4.1 PCB Design Guidelines	5
4.2 Effect of Plastic and Metal Materials	6
4.3 Locating the Module Close to Human Body	6
5. Hardware Design Guidelines	7
5.1 Power Supply Requirements	7
5.2 Power Saving Functions	7
5.3 Reset Functions	7
5.4 Debug and Firmware Updates	7
5.4.1 JTAG	7
5.4.2 DFU	7
6. Bluetooth Stack Software.	8
7. Host Interface	9
7.1 UART	9
8. Electrical Characteristics	10
9. RF Characteristics	13
9.1 Antenna Characteristics	13
9.2 2D Radiation Pattern Plots	14
10. Pinout	16
10.1 Power, Ground, and Reset Pins	16

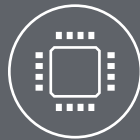
10.2 GPIO Pins17
11. Physical Dimensions	20
12. Soldering Recommendations	22
13. Certifications	23
13.1 Disclaimer.23
13.2 Bluetooth23
13.3 CE23
13.4 FCC.23
13.5 IC25
13.6 MIC Japan26
13.7 KC South-Korea.26
14. Revision History.	27



Smart.
Connected.
Energy-Friendly



Products
www.silabs.com/products



Quality
www.silabs.com/quality



Support and Community
community.silabs.com

Disclaimer

Silicon Laboratories intends to provide customers with the latest, accurate, and in-depth documentation of all peripherals and modules available for system and software implementers using or intending to use the Silicon Laboratories products. Characterization data, available modules and peripherals, memory sizes and memory addresses refer to each specific device, and "Typical" parameters provided can and do vary in different applications. Application examples described herein are for illustrative purposes only. Silicon Laboratories reserves the right to make changes without further notice and limitation to product information, specifications, and descriptions herein, and does not give warranties as to the accuracy or completeness of the included information. Silicon Laboratories shall have no liability for the consequences of use of the information supplied herein. This document does not imply or express copyright licenses granted hereunder to design or fabricate any integrated circuits. The products are not designed or authorized to be used within any Life Support System without the specific written consent of Silicon Laboratories. A "Life Support System" is any product or system intended to support or sustain life and/or health, which, if it fails, can be reasonably expected to result in significant personal injury or death. Silicon Laboratories products are not designed or authorized for military applications. Silicon Laboratories products shall under no circumstances be used in weapons of mass destruction including (but not limited to) nuclear, biological or chemical weapons, or missiles capable of delivering such weapons.

Trademark Information

Silicon Laboratories Inc.®, Silicon Laboratories®, Silicon Labs®, SiLabs® and the Silicon Labs logo®, Bluegiga®, Bluegiga Logo®, Clockbuilder®, CMEMS®, DSPLL®, EFM®, EFM32®, EFR®, Ember®, Energy Micro, Energy Micro logo and combinations thereof, "the world's most energy friendly microcontrollers", Ember®, EZLink®, EZRadio®, EZRadioPRO®, Gecko®, ISOModem®, Precision32®, ProSLIC®, Simplicity Studio®, SiPHY®, Telegesis, the Telegesis Logo®, USBXpress® and others are trademarks or registered trademarks of Silicon Laboratories Inc. ARM, CORTEX, Cortex-M3 and THUMB are trademarks or registered trademarks of ARM Holdings. Keil is a registered trademark of ARM Limited. All other products or brand names mentioned herein are trademarks of their respective holders.



Silicon Laboratories Inc.
400 West Cesar Chavez
Austin, TX 78701
USA

<http://www.silabs.com>