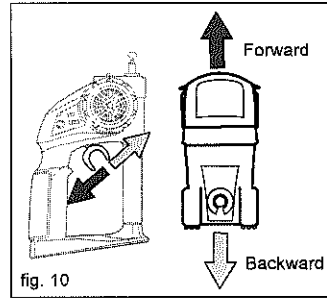
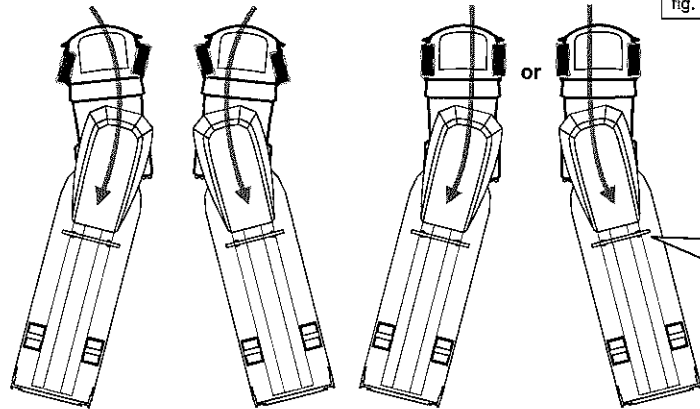
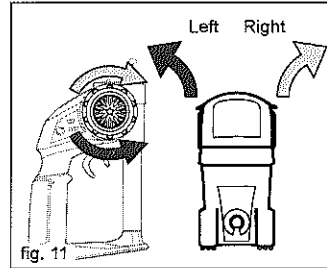
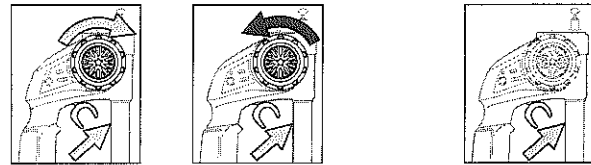


Driving the vehicle

1. Place the steering wheel on the transmitter.
2. Set the band selector to control either the racer or the trailer truck.
3. Set transmitter power switch to "ON" and then set power switches on both the racer and the trailer to "ON".
4. Hold the transmitter with your left hand like holding a pistol.
5. Pull throttle control (trigger) to drive the vehicle forward and lift the throttle control slowly to drive in backward*.
6. Rotate the steering wheel clockwise to steer the vehicle right and rotate the steering wheel anticlockwise to steer the vehicle left.
7. Turn the steering axle adjuster at the bottom towards "L" when the vehicle drives to the right unintentionally. If it turns left unintentionally, turn the adjuster towards "R".
8. Press the headlight button to turn on the headlight of the controlled vehicle.



*Tips on driving backward



Driving the trailer truck backward can be unpredictable at times. It is normal for a trailer truck to lean on one side when going backward.

Troubleshooting:

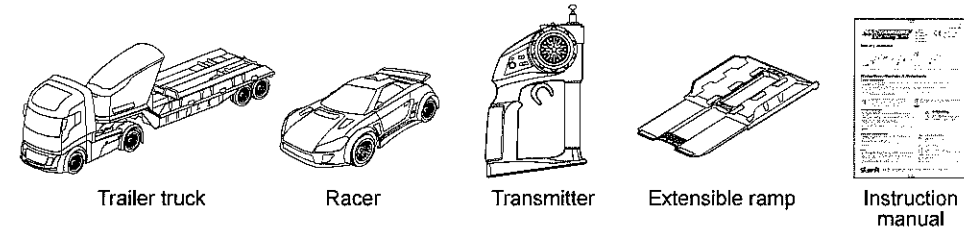
Symptom	Cause	Correction
Vehicle does not react, or react poorly to the transmitter.	- High-frequency interference occurred near to high-voltage lines, transformers and some types of building. - Band selection is not correct. - Weak power of transmitter.	- Avoid these if possible, or choose another place to operate the vehicle. - Set to the correct band. - Change new battery in transmitter.
Loss of control.	- Another radio control vehicle using the same frequency and channel is operated near your vehicle. - Out of the transmission range.	- Race against other vehicles using different frequencies or channel. - Move to another place where without radio frequency interference from another device. - Ensure the antenna is fully extended. The vehicle has a transmission range of 20 meters (65 feet) in open space.
Vehicle runs slowly erratically or does not run.	- Power switch is not in "ON" position. - Batteries are not installed correctly. - Weak batteries - Hair, carpet or dirt might be trapped between wheels.	- Switch on the power. - Check the battery polarity and connection. - Replace them with new ones. - Carefully remove the foreign materials.



For ages 5+
Ab 5 Jahre
Pour 5 ans et plus
Voor leeftijd 5+
Para 5+ años
Dai 5 anni in su

CE This product is in compliance with the essential requirements and other relevant provisions of Directive 1999/5/EC.

Delivery contents:



Precautions, Warnings & Statements:

Safety Precautions:

- Parents, this toy is recommended for children. To ensure that your child's play is both safe and fun, please review the operating instructions with your children.
- Stop the vehicle through the transmitter before picking it up.
- Keep hands, hair and loose clothing away from the moving parts, e.g. tires and the wheel hubs, when toy is switched on.
- Do not operate the remote controlled vehicle on streets. Avoid hitting people, pets or home furnishings.

Warning: Conversion or modifications to this product not expressly approved by the party responsible for compliance could void the user's authority to operate the product.

The crossed-out dustbin symbol indicates that batteries, rechargeable batteries, button cells, battery packs, etc. must not be put in the household waste. Batteries are harmful to health and the environment. Please help to protect the environment from health risks. Tell your children to dispose of batteries properly by taking them to the local collecting points. This way batteries are recycled safely.

WEEE
When this appliance is out of use, please remove all batteries and dispose of them separately. Bring electrical appliances to the local collecting points for waste electrical and electronic equipment. Other components can be disposed of in domestic refuse.

Battery warnings:

- Non-rechargeable batteries are not to be recharged.
- Rechargeable batteries are to be removed before being recharged.
- Rechargeable batteries are only to be charged under adult supervision.
- Different types of batteries or new and used batteries are not to be mixed.
- Only batteries of the same or equivalent type as recommended are to be used.
- Batteries are to be inserted with correct polarity.
- Exhausted batteries are to be removed from the toy.
- The supply terminals are not to be short-circuited.
- Do not mix old and new batteries.
- Do not mix alkaline, standard (carbon-zinc) or rechargeable (nickel-cadmium) batteries.

WARNING:
CHOKING HAZARD - Small parts.
Not for Children under 3 years.

Warning:
Changes or modifications to this unit not expressly approved by the party responsible for compliance could void the user's authority to operate the equipment.

Care and Maintenance:

- Always remove batteries from the toy when it is not being used for a long period of time.
- Wipe the toy gently with a clean cloth.
- Keep the toy away from direct heat.
- Do not submerge the toy into water that can damage the electronic assemblies.

Note:

- Parental guidance is recommended when installing or replacing batteries.
- Keep this instruction manual for future reference.
- Users should keep strict accordance with the instruction manual while operation the product.
- Under the environment with electrostatic discharge, the toy may malfunction and require user to reset the toy.
- Use new alkaline batteries in this toy to obtain best performance.

Battery requirement (Transmitter) :

Power Supply :
 Rating : DC 9 V; 0.14 W
 Battery : 1 x 9 V 6F22 (not included)

Battery requirement (Racer) :

Power Supply :
 Rating : DC 4.5 V; 4.05 W
 Batteries : 3 x 1.5 V "AA"/LR6/AM3 (not included)

Battery requirement (Trailer Truck) :

Power Supply :
 Rating : DC 6 V; 5.7 W
 Batteries : 4 x 1.5 V "AA"/LR6/AM3 (not included)

FCC Statements

This device complies with part 15 of the FCC rules. Operation is subject to the following two conditions:

- 1) This device may not cause harmful interference, and
- 2) This device must accept any interference received, including interference that may cause undesired operation.

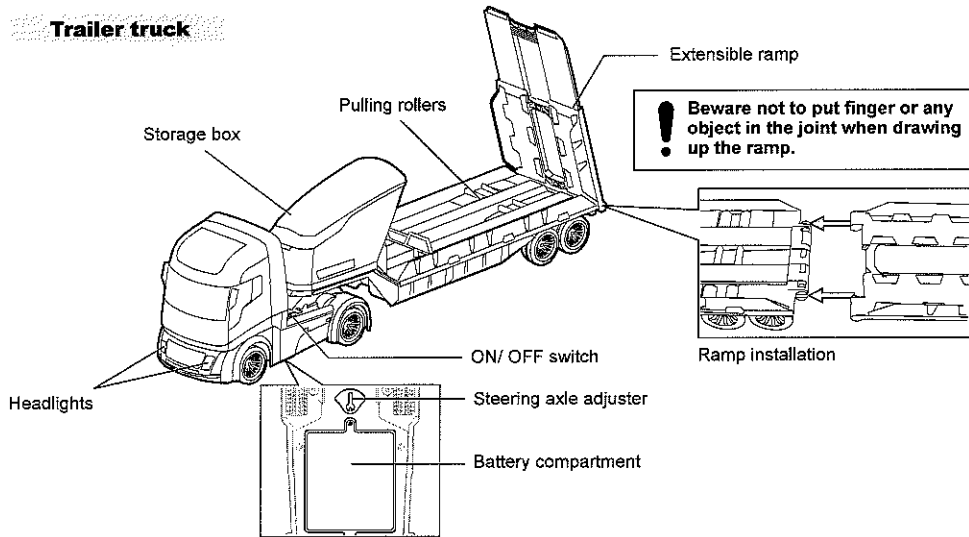
NOTE: This equipment has been tested and found to comply with the limits for a Class B digital device, pursuant to Part 15 of the FCC Rules. These limits are designed to provide reasonable protection against harmful interference in a residential installation. This equipment generates, uses and can radiate radio frequency energy and, if not installed and used in accordance with the instructions, may cause harmful interference to radio communications.

However, there is no guarantee that interference will not occur in a particular installation. If this equipment does cause harmful interference to radio or television reception, which can be determined by turning the equipment off and on, the user is encouraged to try to correct the interference by one or more of the following measures:

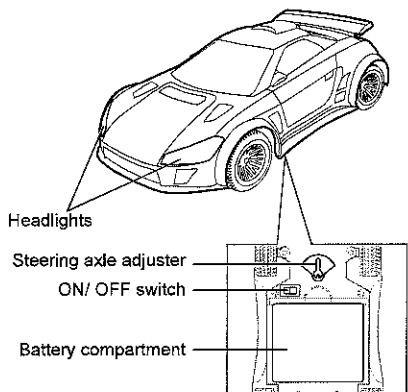
- Reorient or relocate the receiving antenna.
- Increase the separation between the equipment and receiver.
- Connect the equipment into an outlet on a circuit different from that to which the receiver is connected.
- Consult the dealer or an experienced radio/TV technician for help.

Part Identification

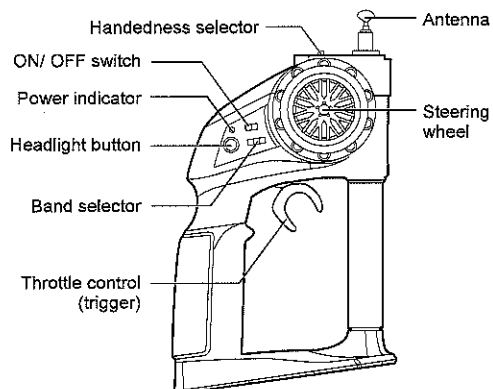
Trailer truck



Racer



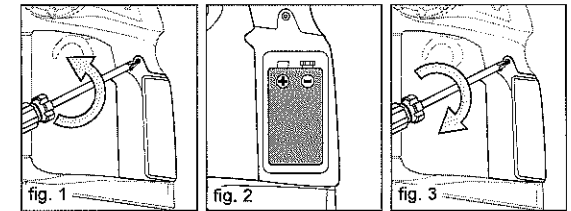
Transmitter



Battery Installation

Transmitter

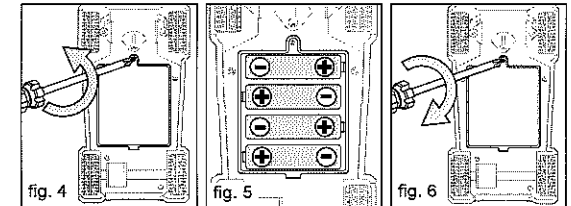
1. Open the battery compartment cover on the side of the transmitter by loosening the screw with a screwdriver (fig. 1).
2. Insert a 9V battery with correct polarity, as shown inside battery compartment (fig. 2).
3. Close the battery compartment cover and fasten the screw (fig. 3).



Trailer truck

Make sure the power switch is at "OFF" position.

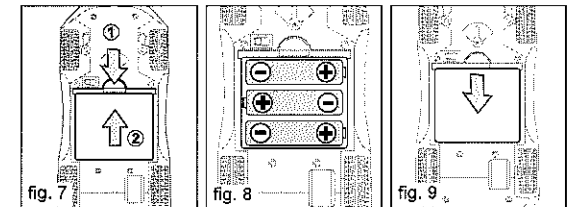
1. Open the battery compartment by loosening the screw (fig. 4).
2. Insert 4 AA batteries in the battery compartment with correct polarity (fig. 5).
3. Close the battery compartment (fig. 6).



Racer

Make sure the power switch is at "OFF" position.

1. Press down the button (1) on battery compartment cover, and then follow the arrow (2) direction to push out the battery compartment cover (fig. 7).
2. Insert 3 AA batteries with correct polarity, as shown inside battery compartment (fig. 8).
3. Close the battery compartment cover. (fig. 9)

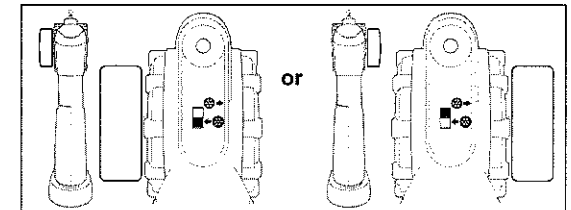


Additional functions

Transmitter steering wheel

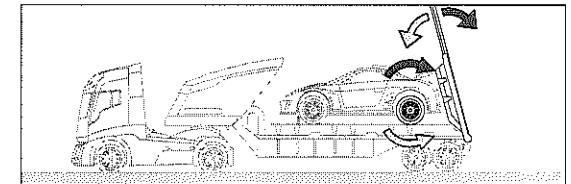
The steering wheel can be placed on the left or the right side of the transmitter to fit the player's handedness.

1. Switch off the transmitter.
2. Remove the steering wheel and place it on the side that fits your handedness.
3. Set the handedness selector according to the current setting.
4. Switch on the transmitter.



Trailer ramp

1. Drive the racer forward when it is on the trailer to draw the ramp up.
2. Reverse the racer to lower the ramp.



Driving tips

1. The turning speed and radius may vary at different lever position combinations.
2. For best performance, point the antenna upward, do not point it down towards the vehicle.
3. Don't touch or hold the antenna of the transmitter.
4. Only operate the vehicle on flat, smooth (but not slippery), firm and dry surfaces or low pile carpets. Hair, carpet or dirt can affect the operation of the vehicle.
5. Do not drive your vehicle on sand or through water or snow. If your vehicle gets wet, wipe with a towel and allow it to dry completely.
6. Do not operate near concrete walls which may disturb radio signal transmission.