

# Warranty Information

This product has a limited 1 year warranty in North America, Europe, and Australia.

For information on warranty periods in other regions, please contact your reseller or SilverStone authorized distributor.

*Warranty terms & conditions*

- Product component defects or damages resulted from defective production is covered under warranty. Defects or damages with the following conditions will be fixed or replaced under SilverStone Technology's jurisdiction.
  - Usage in accordance with instructions provided in this manual, with no misuse, overuse, or other inappropriate actions.
  - Damage not caused by natural disaster (thunder, fire, earthquake, flood, salt, wind, insect, animals, etc...)
  - Product is not disassembled, modified, or fixed. Components not disassembled or replaced.
  - Warranty mark/stickers are not removed or broken.
 Loss or damages resulted from conditions other than ones listed above are not covered under warranty.
- Under warranty, SilverStone Technology's maximum liability is limited to the current market value for the product (depreciated value, excluding shipping, handling, and other fees). SilverStone Technology is not responsible for other damages or loss associated with the use of product.
- Under warranty, SilverStone Technology is obligated to repair or replace its defective products. Under no circumstances will SilverStone Technology be liable for damages in connection with the sale, purchase, or use including but not limited to loss of data, loss of business, loss of profits, loss of use of the product or incidental or consequential damage whether or not foreseeable and whether or not based on breach of warranty, contract or negligence, even if SilverStone Technology has been advised of the possibility of such damages.
- Warranty covers only the original purchaser through authorized SilverStone distributors and resellers and is not transferable to a second hand purchaser.
- You must provide sales receipt or invoice with clear indication of purchase date to determine warranty eligibility.
- If a problem develops during the warranty period, please contact your retailer/reseller/SilverStone authorized distributors or SilverStone <http://www.silverstonetek.com>. Please note that: (i) You must provide proof of original purchase of the product by a dated itemized receipt; (ii) You shall bear the cost of shipping (or otherwise transporting) the product to SilverStone authorized distributors. SilverStone authorized distributors will bear the cost of shipping (or otherwise transporting) the product back to you after completing the warranty service; (iii) Before you send the product, you must be issued a Return Merchandise Authorization ("RMA") number from SilverStone. Updated warranty information will be posted on SilverStone's official website. Please visit <http://www.silverstonetek.com> for the latest updates.

# Additional info & contacts

**For North America** (usasupport@silverstonetek.com)

SilverStone Technology in North America may repair or replace defective product with refurbished product that is not new but has been functionally tested.

Replacement product will be warranted for remainder of the warranty period or thirty days, whichever is longer. All products should be sent

back to the place of purchase if it is within 30 days of purchase, after 30 days, customers need to initiate RMA procedure with SilverStone Technology

in USA by first downloading the "USA RMA form for end-users" form from the below link and follow its instructions.

<http://silverstonetek.com/contactus.php>

**For Australia only** (support@silverstonetek.com)

Our goods come with guarantees that cannot be excluded under the Australian Consumer Law.

You are entitled to a replacement or refund for a major failure and for compensation for any other reasonably foreseeable loss or damage.

You are also entitled to have the goods repaired or replaced if the goods fail to be of acceptable quality and the failure does not amount to a major failure.

Please refer to above "Warranty terms & conditions" for further warranty details.

SilverStone Technology Co., Ltd. 12F No. 168 Jiankang Rd., Zhonghe Dist., New Taipei City 235 Taiwan R.O.C. + 886-2-8228-1238

(standard international call charges apply)

**For Europe** (support.eu@silverstonetek.de)

**For all other regions** (support@silverstonetek.com)

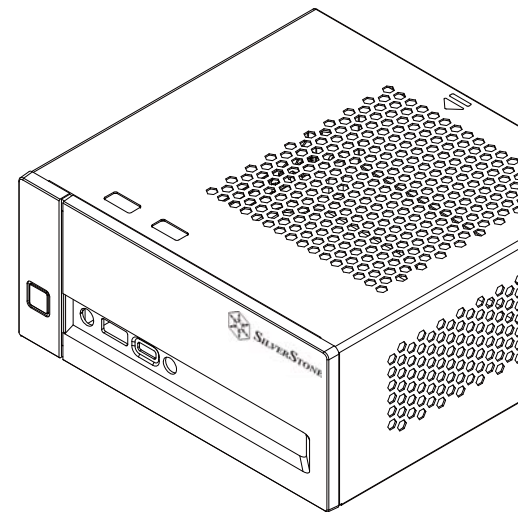


**SILVERSTONE**<sup>®</sup>  
Designing Inspiration

## Compact Mini-STX chassis

# VT02

- Compatible with Intel Mini-STX motherboard
- Supports standard Intel retail box CPU cooler
- Robust construction with classic SilverStone styling
- Super small at 1.88 liters in size
- Includes VESA MIS-D, 75 monitor / wall mount clips



[www.silverstonetek.com](http://www.silverstonetek.com)

## Specifications

For the latest Intel 5" x 5" Mini-STX motherboard from factor, SilverStone created the Vital series line of compact chassis.

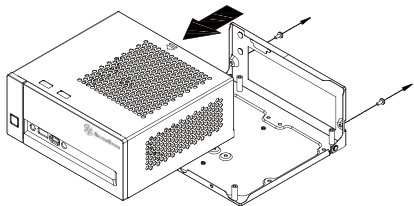
The second model in the series, the VT02, is built to provide classy and robust exterior that features oversized vent at top and sides for good passive cooling capability. There is also accommodation for dual 2.5-inch hard drives for storage applications. Compared to NUC platform, the Mini-STX allows for CPU replacement and upgrades, which dramatically improves DIY flexibility. At only 1.88 liters in size it is still compatible with Intel retail boxed CPU cooler or ultra-low profile CPU coolers such as SilverStone's NT08-115XP. The VT02 is a great solution for those looking to get one of the smallest and flexible Mini-STX cases on the market.

## Specifications

Model No.	SST-VT02B
Color	Black
Material	Plastic front panel, 0.6mm SECC
Motherboard	Intel Mini-STX (5" x 5")
Drive Bay	Internal 2.5" x 2
Front I/O Port	USB 3.0 (Type-A) x 1. USB 3.0 (Type-C) x 1. Audio x 1. MIC x 1
Limitation of CPU cooler	46mm
Net Weight	493g
Dimension	165mm (W) x 73mm (H) x 156.5mm (D), 1.88 Liters
Extra	Supports VESA Wall mount DIN rail mounting ready
Support VESA Mount	MIS-D, 75

# Installation guide

01



**ENGLISH**

Loosen 2 screws from rear to remove top cover

**DEUTSCH**

Lösen Sie zum Entfernen der rückseite Abdeckung die zwei Schrauben von der Unterseite

**FRANÇAIS**

Desserrez les 2 vis du bas pour enlever le couvercle arrière

**ESPAÑOL**

Aloje 2 tornillos de la parte inferior para retirar la cubierta posterior

**ITALIANO**

Allentare 2 viti dalla parte inferiore per rimuovere il coperchio posteriore

**РУССКИЙ**

Ослабьте 2 винтов снизу, чтобы снять задняя крышку

**繁體中文**

將後部2顆螺絲拆下，拉開上蓋

**簡體中文**

將後部2顆螺絲拆下，拉開上蓋

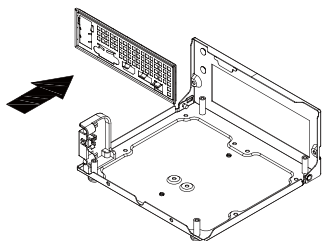
**日本語**

背面から2本のネジを緩め、上部カバーを取り外します

**한국어**

아래쪽에서 2개의 나사를 풀어 상단 커버를 분리합니다

02



**ENGLISH**

Insert motherboard I/O plate

**DEUTSCH**

Setzen Sie die Motherboard-I/O-Blende ein

**FRANÇAIS**

Insérez la plaque I/O carte mère

**ESPAÑOL**

Inserte la placa E/S de la placa base

**ITALIANO**

Inserire la piastra I/O della scheda madre

**РУССКИЙ**

Вставьте I/O пластину материнской платы

**繁體中文**

裝上主機板擋板

**簡體中文**

裝上主機板擋板

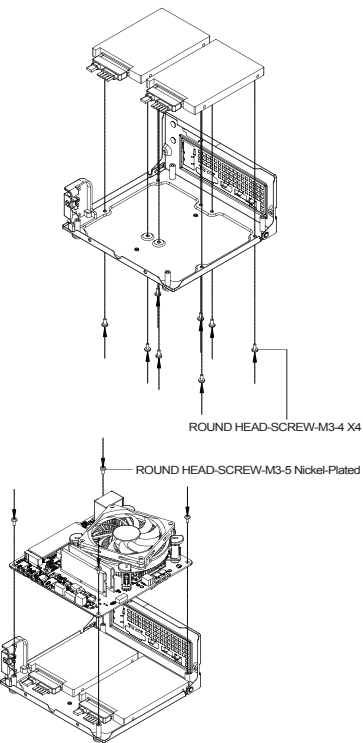
**日本語**

マザーボードの I/O プレートを挿入します

**한국어**

메인보드 I/O 플레이트를 끼웁니다

03



**ENGLISH**

Secure 2.5" hard drive and motherboard

**DEUTSCH**

Befestigen Sie 2,5-Zoll-Laufwerk und Motherboard

**FRANÇAIS**

Fixez le disque dur 2,5" et la carte mère

**ESPAÑOL**

Fije el disco duro de 2,5" y la placa base

**ITALIANO**

Fissare il disco rigido da 2,5" e la scheda madre

**РУССКИЙ**

Установите жёсткий диск 2,5" и материнскую плату

**繁體中文**

鎖固2.5" 硬碟及主機板

**簡體中文**

鎖固2.5" 硬盘及主板

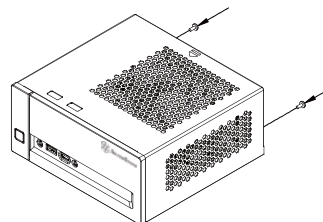
**日本語**

2.5 インチハードドライブとマザーボードを固定します

**한국어**

2.5" 하드 드라이브와 메인보드를 고정합니다

04



**ENGLISH**

Reinstall top cover to complete installation

**DEUTSCH**

Bringen Sie zum Abschluss der Installation die obere Abdeckung wieder an

**FRANÇAIS**

Réinstallez le capot supérieur pour terminer l'installation

**ESPAÑOL**

Reinstale la cubierta superior para completar la instalación

**ITALIANO**

Reinstallare il coperchio superiore per completare l'installazione

**РУССКИЙ**

Установите верхнюю крышку

**繁體中文**

裝回上蓋，安裝完成

**簡體中文**

裝回上蓋，安裝完成

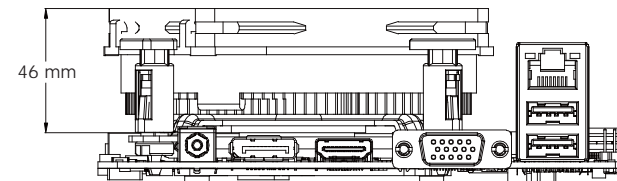
**日本語**

上部カバーを再取り付けし、取付を完了します

**한국어**

상단 커버를 도로 설치하여 설치를 완료합니다

## CPU Cooler limitation



**ENGLISH**

Height limitation for CPU cooler is 46mm with 1.75mm clearance over the motherboard's top edge. We recommend SilverStone NT08-115XP.

**DEUTSCH**

Die Höhenbeschränkung für CPU-Kühler beträgt 46mm mit einem Freiraum von 1,75mm oberhalb der Motherboard-Oberkante. Wir empfehlen SilverStones NT08-115XP.

**FRANÇAIS**

La limitation de la hauteur du refroidisseur CPU est de 46mm avec 1,75mm de jeu sur le bord supérieur de la carte mère. Nous vous recommandons le SilverStone NT08-115XP.

**ESPAÑOL**

La limitación de altura para el dissipador de la CPU es de 46mm con un espacio libre de 1,75mm sobre el borde superior de la placa base. Le recomendamos el SilverStone NT08-115XP.

**ITALIANO**

La limitazione dell'altezza del dissipatore di calore CPU è di 46mm con uno spazio libero di 1,75mm sopra il bordo superiore della scheda madre. Si consiglia NT08-115XP di SilverStone.

**РУССКИЙ**

Ограничение для высоты процессорного кулера составляет 46мм с 1,75мм зазором над верхним краем материнской платы. мы рекомендуем SilverStone NT08-115XP.

**繁體中文**

Cooler限高為 46mm，Cooler外緣允許超出主機板上邊界1.75mm。推薦使用銀欣 NT08-115XP。

**簡體中文**

Cooler限高為 46mm，Cooler外緣允許超出主板上邊界1.75mm。推薦使用銀欣 NT08-115XP。

**日本語**

CPUクーラーの高さ制限は46mmです。また、マザーボードの上端から1.75mmのクリアランスが必要です。SilverStone NT08-115XPを推奨します。

**한국어**

CPU 쿨러의 높이 제한은 46mm이며 메인보드 상단 가장자리 위쪽의 허용 오차는 1.75mm입니다. SilverStone NT08-115XP 사용을 권장합니다.