

SIM800H User Manual

Compliance Information

FCC Compliance Statement: This device complies with Part 15 of the FCC Rules . Operation is subject to the following two conditions: 1. This device may not cause harmful interference, and 2. This device must accept any interference received, including interference that may cause undesired operation. This device must accept any interference received, including interference that may cause undesired operation. Product that is a radio transmitter is labeled with FCC ID.

FCC Caution:

(1)Exposure to Radio Frequency Radiation. This equipment must be installed and operated in accordance with provided instructions and the antenna(s) used for this transmitter must be installed to provide a separation distance of at least 20 cm from all persons and must not be collocated or operating in conjunction with any other antenna or transmitter. End-users and installers must be provided with antenna installation instructions and transmitter operating conditions for satisfying RF exposure compliance.

(2) Any changes or modifications not expressly approved by the grantee of this device could void the user's authority to operate the equipment.

(3) This Transmitter must not be co-located or operating in conjunction with any other antenna or transmitter.

(4) Changes or modifications to this unit not expressly approved by the party responsible for compliance could void the user authority to operate the equipment.

(5) the modules FCC ID is not visible when installed in the host, or

(6) if the host is marketed so that end users do not have straight forward commonly used methods for access to remove the module so that the FCC ID of the module is visible; then an additional permanent label referring to the enclosed module: Contains Transmitter Module FCC ID: UDV-20160721 or Contains FCC ID: UDV-20160721 must be used.

1. SIM800H Description

1.1. Summarize

SIM800H designed by SIMCom is a quad band module which supports GSM/GPRS. The baseband circuit is based on MTK and RF circuit is based on RFMD. It works at quad bands-----GSM850, EGSM900, DCS1800, and PCS1900. CPU clock is based on 26MHz crystal. The main IC includes MT6260D and RF7198.

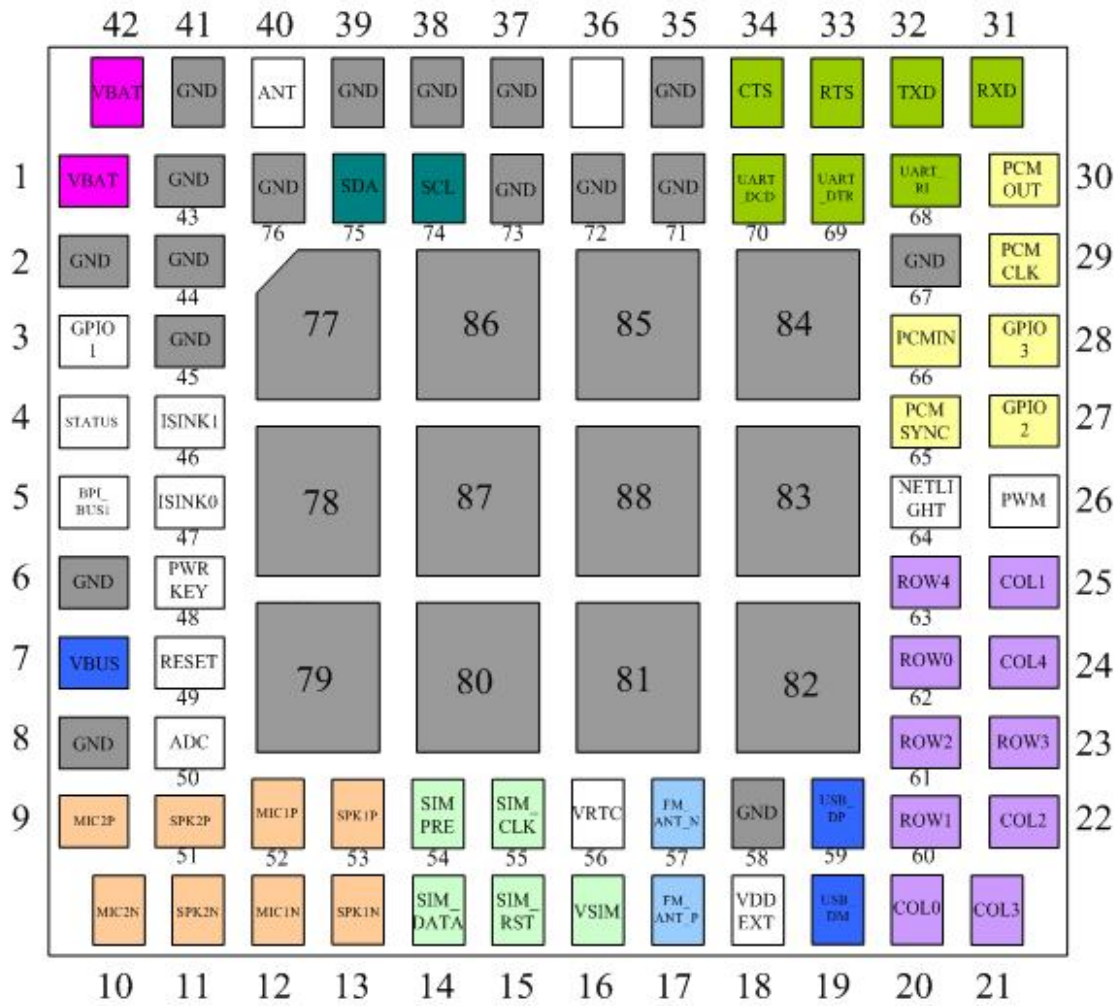
1.2. Feature

- Quad-Band 850/900/1800/1900MHz
- GPRS multi-slot class 12/10
- GPRS mobile station class B
- Compliant to GSM phase 2/2+
 - Class 4 (2 W @ 850/900 MHz)
 - Class 1 (1 W @ 1800/1900MHz)

SIM800H Document

- Dimensions: 15.8*17.8*2.4 mm
- Weight: 1.25 g
- Control via AT commands (3GPP TS 27.007, 27.005 and SIMCom enhanced AT Commands)
- Supply voltage range 3.6~4.2 V
- Low power consumption
- Operation temperature:-30~80°C
- 88 LGA pads include
 - Interface to external SIM 3V/1.8V
 - Analog audio interface
 - RTC backup
 - Serial interface
 - USB interface
 - Keypad interface
 - LCD interface
 - Antenna pad
 - PCM
 - GPIO
 - ADC

1.3. Pin



TOP视图

1.4. Picture



Figure 1: Top and Bottom view of SIM800H

1.5. Dimension

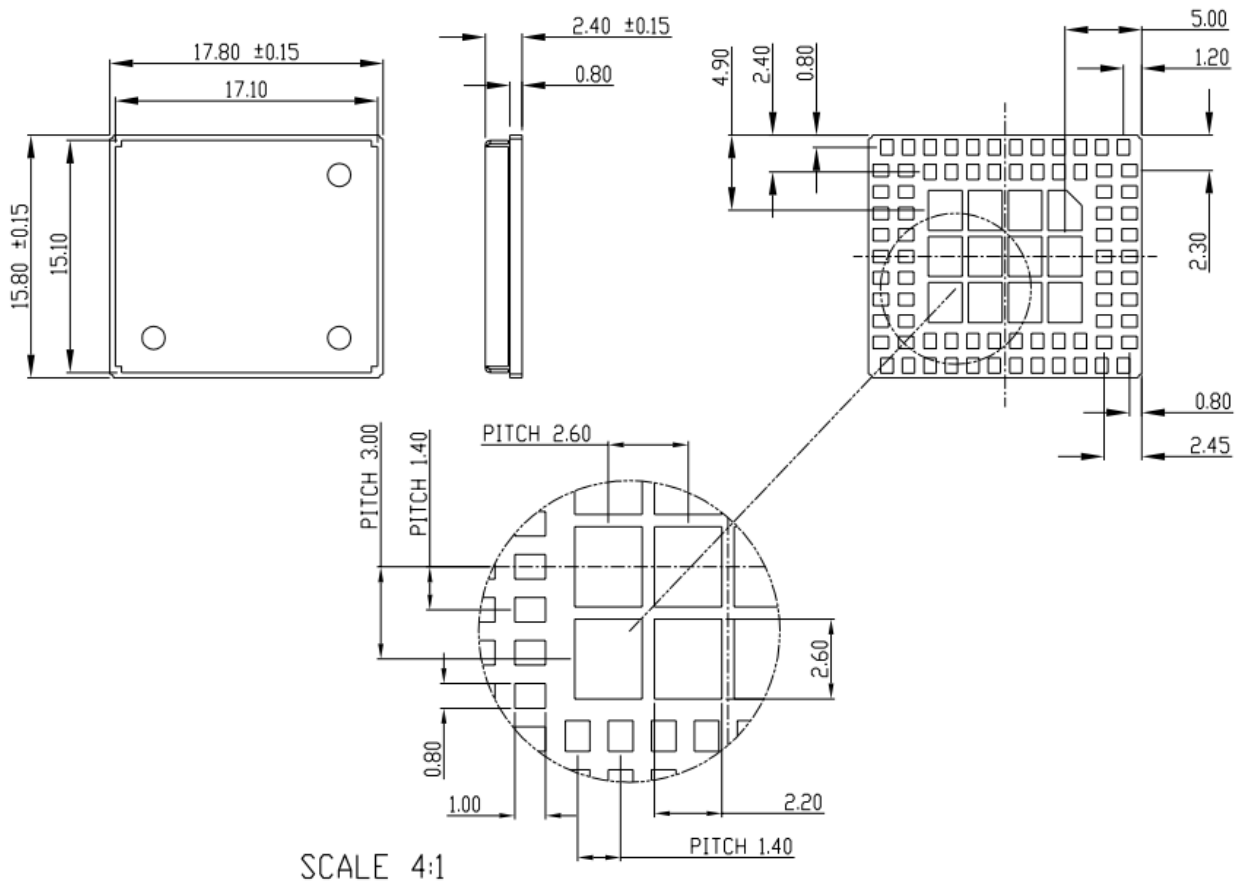


Figure 2: Dimention

2. Detail Block Diagram

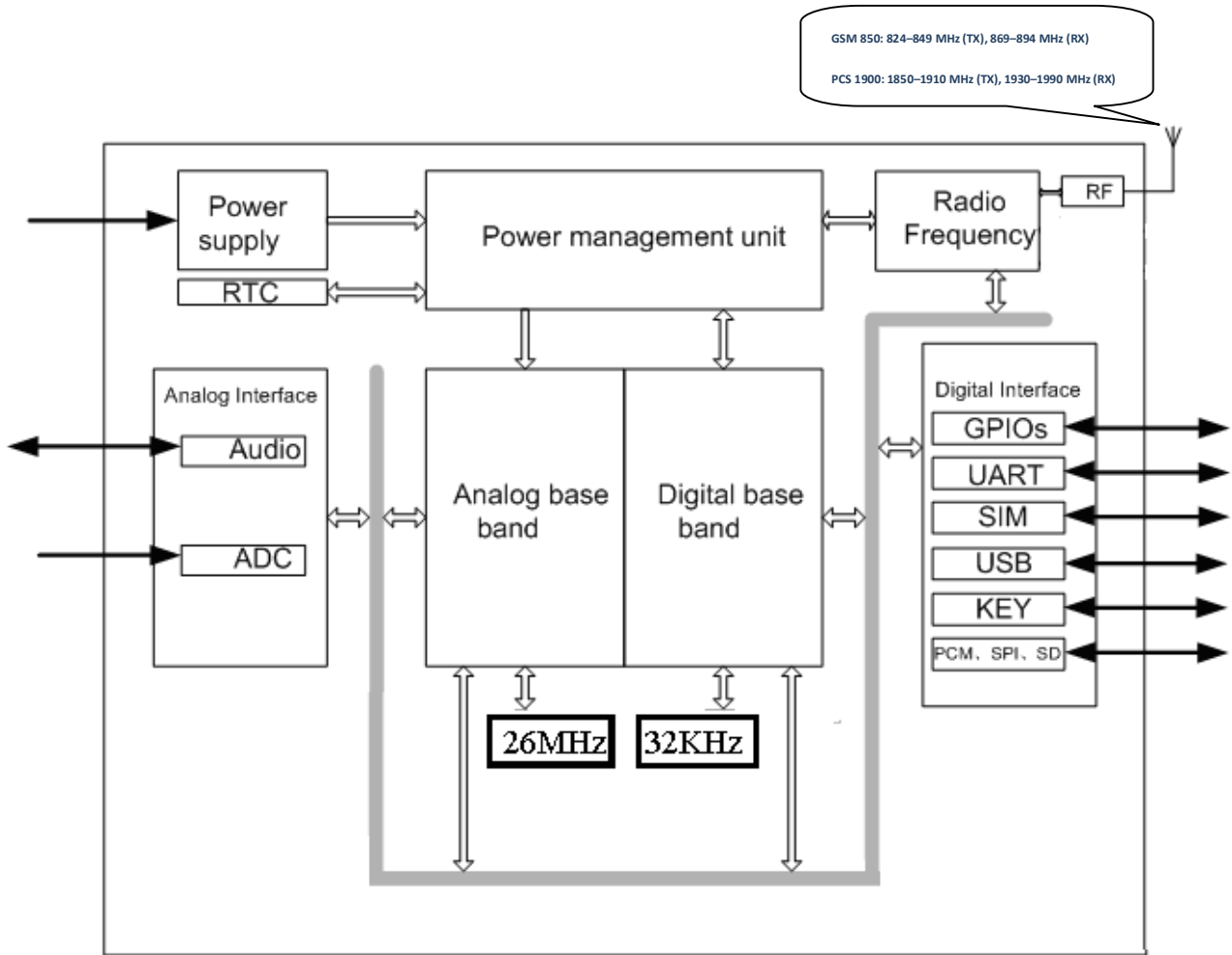


Figure 3: Block diagram of SIM800H

3. Electrical and Reliability Characteristics

3.1. Absolute Maximum Ratings

The absolute maximum ratings stated in following table are stress ratings under non-operating conditions. Stresses beyond any of these limits will cause permanent damage to SIM800H.

Table 1: Absolute maximum ratings

Symbol	Parameter	Min	Typ	Max	Unit
V _{BAT}	Power supply voltage	-	-	4.5	V
V _{BUS}	-	-	30	V	V _{BUS}
I _I [*]	Input current	-	-	8	mA

I_O^*	Output current	-	-	8	mA
---------	----------------	---	---	---	----

*These parameters are for digital interface pins, such as keypad, GPIO, I²C, UART, LCD and DEBUG.

3.2. Digital Interface Characteristics

Table 2: Digital interface characteristics

Symbol	Parameter	Min	Typ	Max	Unit
I_{IH}	High-level input current	2.1	-	3.1	V
I_{IL}	Low-level input current	-0.3	-	0.7	V
V_{OH}	High-level input voltage	2.4	-	-	V
V_{OL}	Low-level input voltage	-	-	0.4	V

* These parameters are for digital interface pins, such as keypad, GPIO, I²C, UART, LCD, PWMs and DEBUG.

3.3. SIM Card Interface Characteristics

Table 3: SIM card interface characteristics

Symbol	Parameter	Min	Typ	Max	Unit
I_{IH}	High-level input current	-1	-	1	uA
I_{IL}	Low-level input current	-1	-	1	uA
V_{IH}	High-level input voltage	1.4	-	-	V
		2.4	-	-	V
V_{IL}	Low-level input voltage	-	-	0.27	V
		-	-	0.4	V
V_{OH}	High-level output voltage	1.62	-	-	V
		2.7	-	-	V
V_{OL}	Low-level output voltage	-	-	0.36	V
		-	-	0.4	V

3.4. SIM_VDD Characteristics

Table 4: SIM_VDD characteristics

Symbol	Parameter	Min	Typ	Max	Unit
V_O	Output voltage	2.70	2.80	2.90	V
I_O	Output current	-	-	50	mA

3.5. VRTC Characteristics

Table 5: VRTC characteristics

Symbol	Parameter	Min	Typ	Max	Unit
V _{VRTC-IN}	VRTC input voltage		2.8		V
I _{VRTC-IN}	VRTC input current	-	3	-	uA
V _{VRTC-OUT}	VRTC output voltage	-	2.8	-	V
I _{VRTC-OUT}	VRTC output current	-		2	mA

3.6. Current Consumption (VBAT = 3.8V)

Table 6: Current consumption

Symbol	Parameter	Conditions	Value	Unit		
I _{VRTC}	VRTC current	VBAT disconnects. Backup battery is 3 V	2	uA		
I _{VBAT}	VBAT current	Power down mode	50	uA		
		Sleep mode	BS-PA-MFRMS=9	1.0	mA	
			BS-PA-MFRMS=5	1.2		
			BS-PA-MFRMS=2	1.8		
		Idle mode	GSM 850	19	mA	
			EGSM 900			
			DCS 1800			
			PCS 1900			
		Voice call	GSM 850 EGSM 900	PCL=5	250	mA
				PCL=12	110	
				PCL=19	76	
			DCS 1800 PCS 1900	PCL=0	168	
				PCL=7	89	
				PCL=15	76	
		Data mode GPRS(1Rx,1Tx)	GSM 850 EGSM 900	PCL=5	240	mA
				PCL=12	110	
				PCL=19	83	
			DCS 1800 PCS 1900	PCL=0	170	mA
				PCL=7	95	
				PCL=15	80	
Data mode GPRS(4Rx,1Tx)	GSM 850 EGSM 900	PCL=5	270	mA		
		PCL=12	150			
		PCL=19	120			

		DCS 1800 PCS 1900	PCL=0	205	mA	
			PCL=7	130		
			PCL=15	115		
		Data mode GPRS(3Rx,2Tx)	GSM 850 EGSM 900	PCL=5	440	mA
				PCL=12	185	
				PCL=19	130	
		DCS 1800 PCS 1900	PCL=0	300	mA	
			PCL=7	155		
			PCL=15	122		
$I_{VBAT-peak}$	Peak current	During Tx burst		2	A	

3.7. Electro-Static Discharge

SIM800H is an ESD sensitive component, so more attention should be paid to the procedure of handling and packaging. The ESD test results are shown in the following table.

Table 7: The ESD characteristics (Temperature: 25°C, Humidity: 45 %)

Pin	Contact discharge	Air discharge
VBAT	±6KV	±12KV
GND	±6KV	±12KV
RXD, TXD	±2KV	±8KV
Antenna port	±5KV	±10KV
SPK_P/SPK_N/MIC_P/MIC_N	±2KV	±5KV
PWRKEY	±2KV	±8KV

4. Radio Characteristics

4.1. Module RF Output Power

The following table shows the module conducted output power, it is followed by the 3GPP TS 05.05 technical specification requirement.

Table 8: SIM800H GSM 900 and GSM 850 conducted RF output power

GSM850、EGSM900			
PCL	Nominal output power (dBm)	Tolerance (dB) for conditions	
		Normal	Extreme

5	33	±2	±2.5
6	31	±3	±4
7	29	±3	±4
8	27	±3	±4
9	25	±3	±4
10	23	±3	±4
11	21	±3	±4
12	19	±3	±4
13	17	±3	±4
14	15	±3	±4
15	13	±3	±4
16	11	±5	±6
17	9	±5	±6
18	7	±5	±6
19-31	5	±5	±6

Table 9: SIM800H DCS 1800 and PCS 1900 conducted RF output power

DCS1800、PCS1900			
PCL	Nominal output power (dBm)	Tolerance (dB) for conditions	
		Normal	Extreme
0	30	±2	±2.5
1	28	±3	±4
2	26	±3	±4
3	24	±3	±4
4	22	±3	±4
5	20	±3	±4
6	18	±3	±4
7	16	±3	±4
8	14	±3	±4
9	12	±4	±5
10	10	±4	±5
11	8	±4	±5
12	6	±4	±5
13	4	±4	±5
14	2	±5	±6
15	0	±5	±6

For the module's output power, the following is should be noted:

At GSM900 and GSM850 band, the module is a class 4 device, so the module's output power should not exceed 33dBm, and at the maximum power level, the output power tolerance should not exceed +/-2dB under normal condition and +/-2.5dB under extreme condition.

At DCS1800 and PCS1900 band, the module is a class 1 device, so the module's output power should not exceed 30dBm, and at the maximum power level, the output power tolerance should not exceed +/-2dB under normal condition and +/-2.5dB under extreme condition.

4.2. Module RF Receive Sensitivity

The following table shows the module's conducted receive sensitivity, it is tested under static condition.

Table 10: SIM800H conducted RF receive sensitivity

Frequency	Receive sensitivity (Typical)	Receive sensitivity(Max)
GSM850	-108dBm	-106dBm
EGSM900	-108dBm	-106dBm
DCS1800	-108dBm	-106dBm
PCS1900	-108dBm	-106dBm

4.3. Module Operating Frequencies

The following table shows the module's operating frequency range; it is followed by the 3GPP TS 05.05 technical specification requirement.

Table 11: SIM800H operating frequencies

Frequency	Receive	Transmit
GSM850	869 ~ 894MHz	824 ~ 849 MHz
EGSM900	925 ~ 960MHz	880 ~ 915MHz
DCS1800	1805 ~ 1880MHz	1710 ~ 1785MHz
PCS1900	1930 ~ 1990MHz	1850 ~ 1910MHz

5. Antenna interface

There are three antenna ports for SIM800H, GSM antenna port named RF_ANT, The RF interface of the three antenna ports has an impedance of 50Ω. The maximum gain of the GSM antenna gain should not exceed 3dBi considering the SAR radio. No antenna gain may be used that would exceed the 2W EIRP power limit in 1900MHz band.

- The input impedance of the antenna should be 50Ω, and the VSWR should be less than 2.
- It is recommended that the GSM antenna.
- The isolations of the three antenna should be bigger than 30db

It have according to reference trace and matching circuit testing all FCC items, and all items satisfy FCC requirements. Only the reference trace and matching circuit is certified, antenna design must refer to it, any other deviations require testing Class II applications as required by FCC. The certified matching circuit as following:

5.1 GSM Antenna Interface

There is a GSM antenna pad named RF_ANT for SIM800H the connection of the antenna must be decoupled from DC voltage. This is necessary because the antenna connector is DC coupled to ground via an inductor for ESD protection.

The external antenna must be matched properly to achieve best performance, so the matching circuit is necessary, the connection is recommended as following:

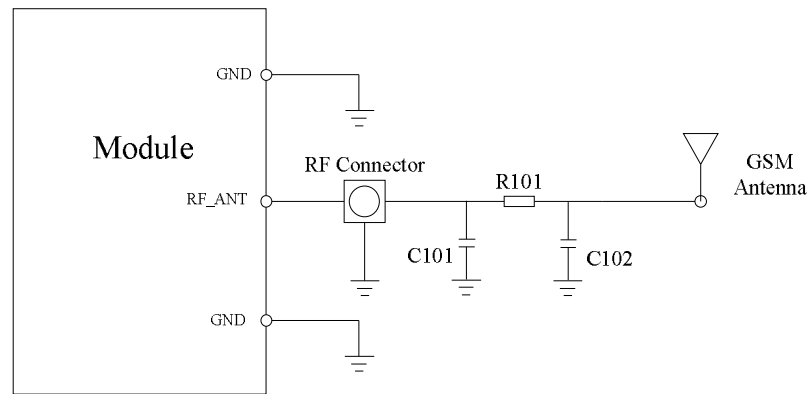
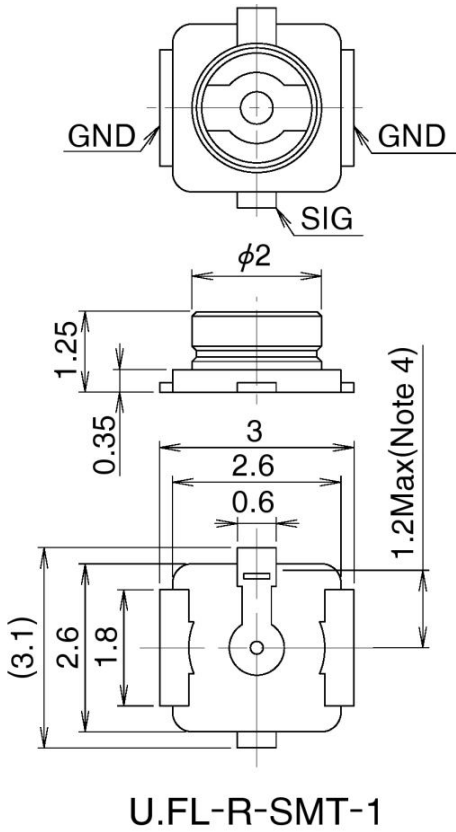


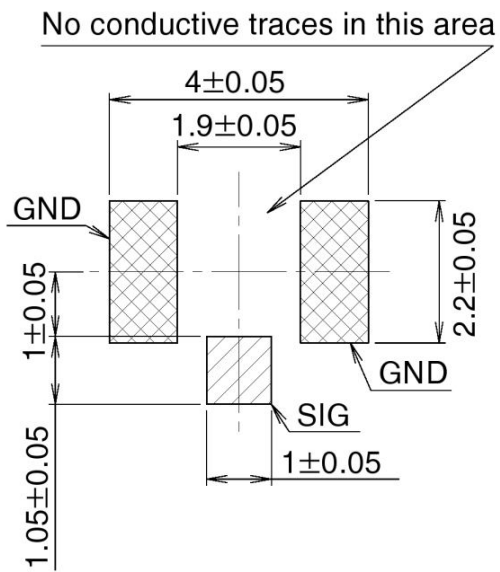
Figure1: GSM antenna matching circuit

R101, C101, C102 are the matching circuit, the value should be defined by the antenna design. normally R101 is 0Ω , C101 和 C102 are not SMD. The RF connector is used for conducted

5.1 Dipole Antenna Reference PCBLayout Requirements.



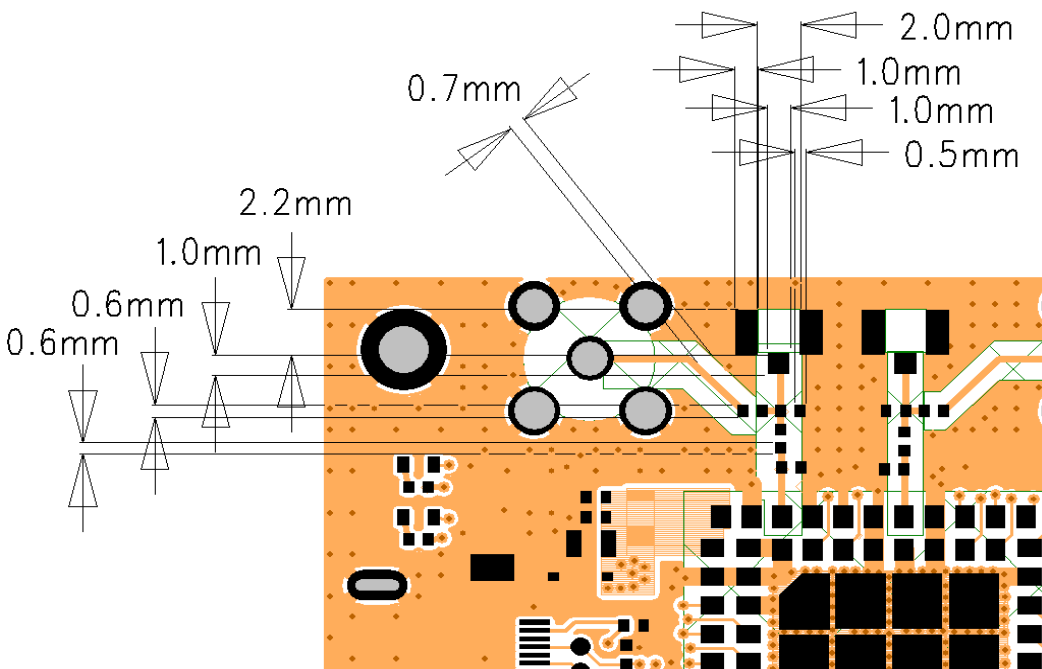
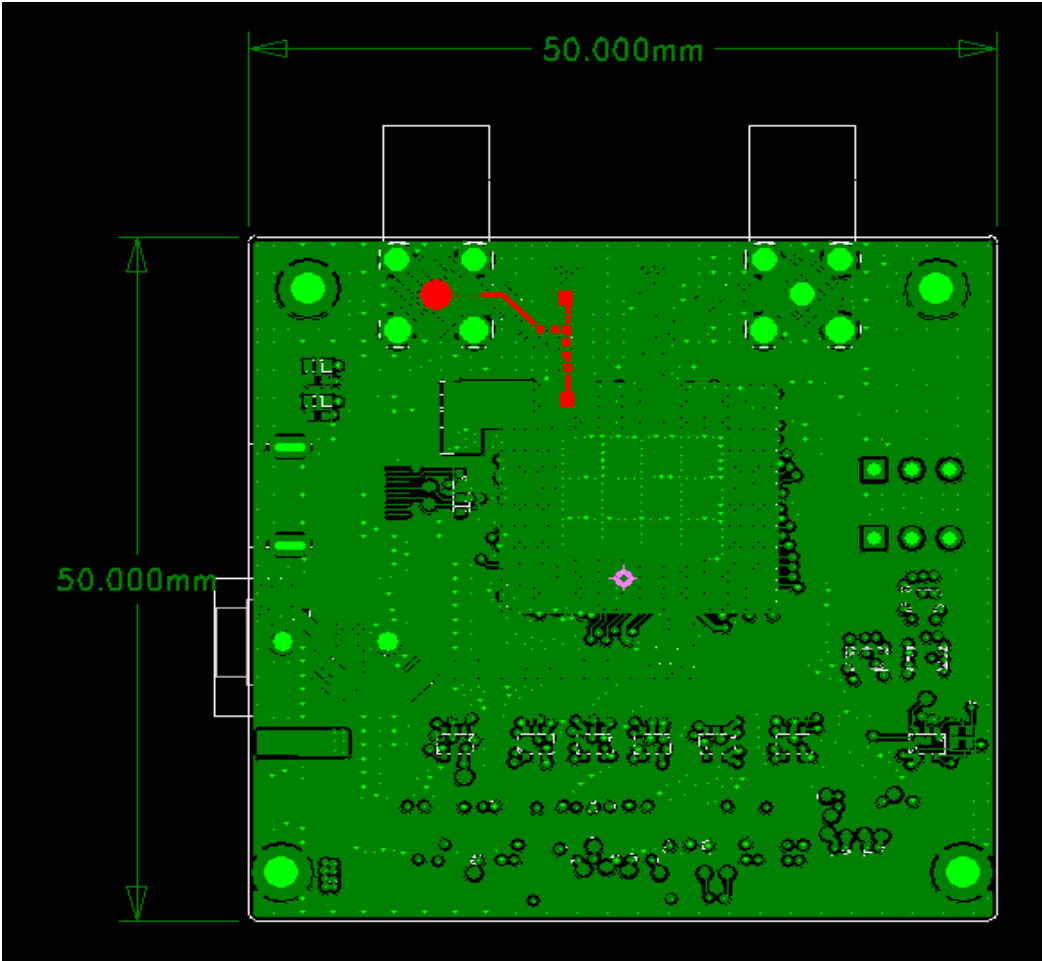
Recommended PCB Mounting Pattern



5.2. Dipole Antenna Reference Design PCB

Mount these devices with brown mark facing up. Units: mm

Line width should be designed to provide 50Ω impedance matching characteristics.



File Structure Help

Coated Coplanar Line

Height (H): 910
 (H1): 10
 Track (W): 1200
 (W1): 1200
 Ground (W2):
 Plane (W3):
 Thickness (T): 35
 Separation (S): 400
 Dielectri. (Er): 4.2

Notes: Lower Ground Plan

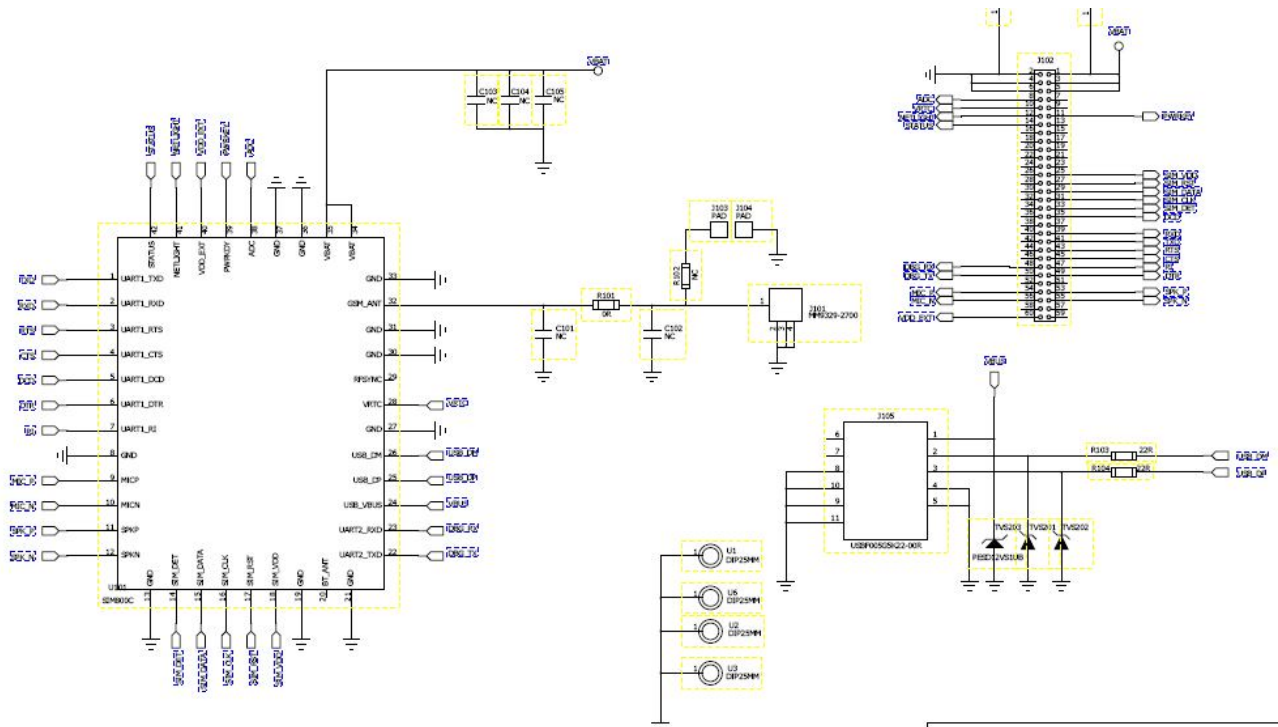
Impedance Calculated

Impedance (Zo): 50.08
 Delay (ps/in): 145.57

World Leaders in PCB Faultfinding and Controlled Impedance Measurement

Ready

5.3 Dipole Antenna Reference Design Schematic



Contact us:

Shanghai SIMCom Wireless Solutions Co.,Ltd.

Address: Building A, SIM Technology Building, No. 633, Jinzhong Road, Shanghai, P. R. China
200335

Tel: +86 21 3252 3300

Fax: +86 21 3252 2030

URL: www.sim.com/wm