



Fire Transmitter Model 330

Description:

The model 330 fire transmitter is a UL864 listed device specifically designed for connection to a normally open dry contact output. The input is selectable for two types of supervised wiring configurations referred to as Style 1 or Style 2 in this manual. The transmitter is fully supervised for tamper, low battery, RF signal integrity and wiring faults. The transmitter is powered by a single 3 volt lithium battery as listed under the specifications section of this manual and the label on the product. The model 330 is intended to be used with Commercial Wireless Systems International, LLC Model CP-3000 Fire Alarm Control Panel. Refer to the CP-3000 FACP installation instructions, part number 3000.MAN Rev. 1 for additional details.

Programming:

The 330 must be enrolled into the CP-3000 control panel before installing the device. **The Model 330 will not report Alarms, Supervisory or trouble signals unless it is enrolled into the CP-3000 control panel.** Enrollment must be performed while in front of the CP-3000 FACP. Place the CP-3000 FACP in enrollment mode then install the battery in the model 330 transmitter observing polarity marked on the battery holder. The model 330 serial number will be displayed on the CP-3000 FACP along with programming options. Refer to the CP-3000 control panel installation instructions for further details on enrollment and transmitter programming options. After the model 330 is enrolled, remove the battery and reinstall it only at the transmitters mounting location.

Installation:

Select an accessible location that is not prone to tampering or accidental damage. The mounting surface should be relatively flat and capable of accepting screws or anchors. The 330 is to be installed in an indoor dry location. Exposure to weather or corrosive conditions may damage the unit. It must be mounted on a vertical surface so that the CWSI label can be read correctly. **Perform the signal test described in this manual prior to and after permanently mounting the unit.** An 18 gage copper wire pair should be used to connect the 330 to the dry contacts to be monitored. Wire runs should be as short as possible, contained within one room and not routed near fluorescent lighting or equipment generating electrical noise such as generators, air conditioners, etc. The wires should enter the 330 through the hole provided near the screw terminal block. Under no circumstances are the wires to be run near or draped over the printed 330 printed circuit board. Style 1 or Style 2 wiring can be selected with SW2 on the board. Refer to figure 2 for proper wiring connection. When Style 2 wiring is selected, the Model TR-3 EOL resistor provided must be connected either as recommended by the manufacturer of the device being monitored or directly across the dry contact terminals of the of the monitored device. Multiple sets of contacts on the monitored equipment may be wired in parallel and connected to a single 330. **Caution: only one monitored device may be connected to a single Model 330.** After connecting the wires to the terminal block, install the battery, mount the enclosure back on the wall using the keyholes then push the front portion of the enclosure onto the back until the case snaps closed. Be careful not to bend the transmitter's antenna. Perform the **Signal Test** and **Alarm Test** as outlined in this manual.

Cautions:

1. Make sure the battery is firmly installed in the battery clip.
2. The unit must be secured tightly to the wall, so as to not be dislodged.
3. Test the unit after any service or battery change or as often as local or national codes dictate.

Following the codes:

The Model 330 must be installed and maintained in accordance with the National Fire Protection Association's Standards (NFPA), the National Electrical Code and all local fire and electrical requirements. When connecting to other equipment, follow the instructions and recommendations of that manufacturer.

Alarm Operation:

When the wires of the model 330 are shorted:

1. An initial alarm signal is transmitted.
2. A 30 second delay occurs. If during this delay the alarm condition is reset and the alarm cycle is ended.
3. A continued alarm condition causes a repeat alarm transmission.
4. Another 30 second delay as in step 2 occurs.
5. A continued alarm condition causes a repeat alarm transmission.
6. Step 5 repeats at 60 second intervals until reset.

LED: The LED will flash when any signal is sent from the transmitter.

Alarm Test:

Before testing, notify the proper authorities that maintenance is being performed and the system will be temporarily out of service. Activate the dry contact output being monitored by the Model 330 transmitter or manually short the wires to simulate dry contact closure. Verify an alarm is received at the control panel.

Signal Test:

The test must be performed while the transmitter is held in its intended mounting location. Initiate the test by placing a strong magnet along the upper right side of the transmitter case (figure 1). The model 330 piezo sounder will beep twice if the transmitter is located within acceptable reception range of a repeater or CP-3000 FACP. If two beeps are not heard within 5 seconds of initiating the signal test then relocate the model 330 mounting position closer to the nearest repeater or control panel and perform the test again. Continue this procedure until 2 beeps are achieved. Do not mount the transmitter unless 2 beeps are heard when performing the signal test. This test **must** be performed before and after transmitter installation. Note: A CWSI model AR-3 repeater or Control Panel must be installed and turned on before running this test.

Low battery:

The battery voltage is periodically tested under load. In the event that a low battery is detected, a low battery signal will be sent immediately and repeated every 90 seconds for a minimum of seven days. Where more than one type of trouble exists, all will be repeated every 90 seconds.

Battery Installation and Replacement:

Warning: Always install a new battery of one of the approved types as listed in the Specifications section of this manual and the product label. When a battery is first inserted, a low battery test is performed. If the battery passes the test, The unit should not send a low battery signal. If the battery does not pass this test, the unit will continue to send a low battery until a good battery is installed.

330 MOUNTING

To replace the battery:

1. Place the CP-3000 Control Panel in Test mode to prevent any unwanted alarms. (Refer to the CP-3000 manual)
2. Open the transmitter's case by holding and pulling the front of the case away from the mounting surface. The back will remain on the wall. A tamper signal will be transmitted. The battery will now be exposed. Remove the battery and dispose of properly.
3. To insure proper power down sequence, wait a minimum of 20 seconds before installing a new battery.
4. Install a new approved 3 volt lithium battery in the battery compartment following the polarity diagram inside the compartment. A tamper trouble signal should be indicated on the CP-3000 Control Panel upon installation of the new battery.
5. Close the transmitter case by pushing the front onto the back. Make sure excess wire does not lie onto the transmitter board. There should be no gaps where the front and back case sections meet.
6. Test the Model 330 as described in **Alarm Testing** section.
7. If the Model 330 does not function for alarm testing as described in item 6 then start over at step 2. If it still doesn't operate correctly then replace the entire unit.
8. Remove the panel from test mode. (Refer to the CP-3000 manual)

Tamper:

The Model 330 has an on board tilt sensor that will cause a tamper signal to be transmitted if the 330 case is opened or removed from its mounting position. Upon detection of a tamper, a trouble signal is sent immediately and repeated every 90 seconds until the condition is restored. Where more than one type of trouble exists, all will be repeated within 90 seconds.

EOL/Wiring Fault Trouble:

If the wiring from the Model 330 to the monitored device opens preventing the EOL from being detected in Style 2 wiring configuration or if any of the wires in the Style 1 configuration is disconnected, a trouble signal will be sent and repeated every 90 seconds. Where more than one type of trouble exists, all will be repeated within 90 seconds.

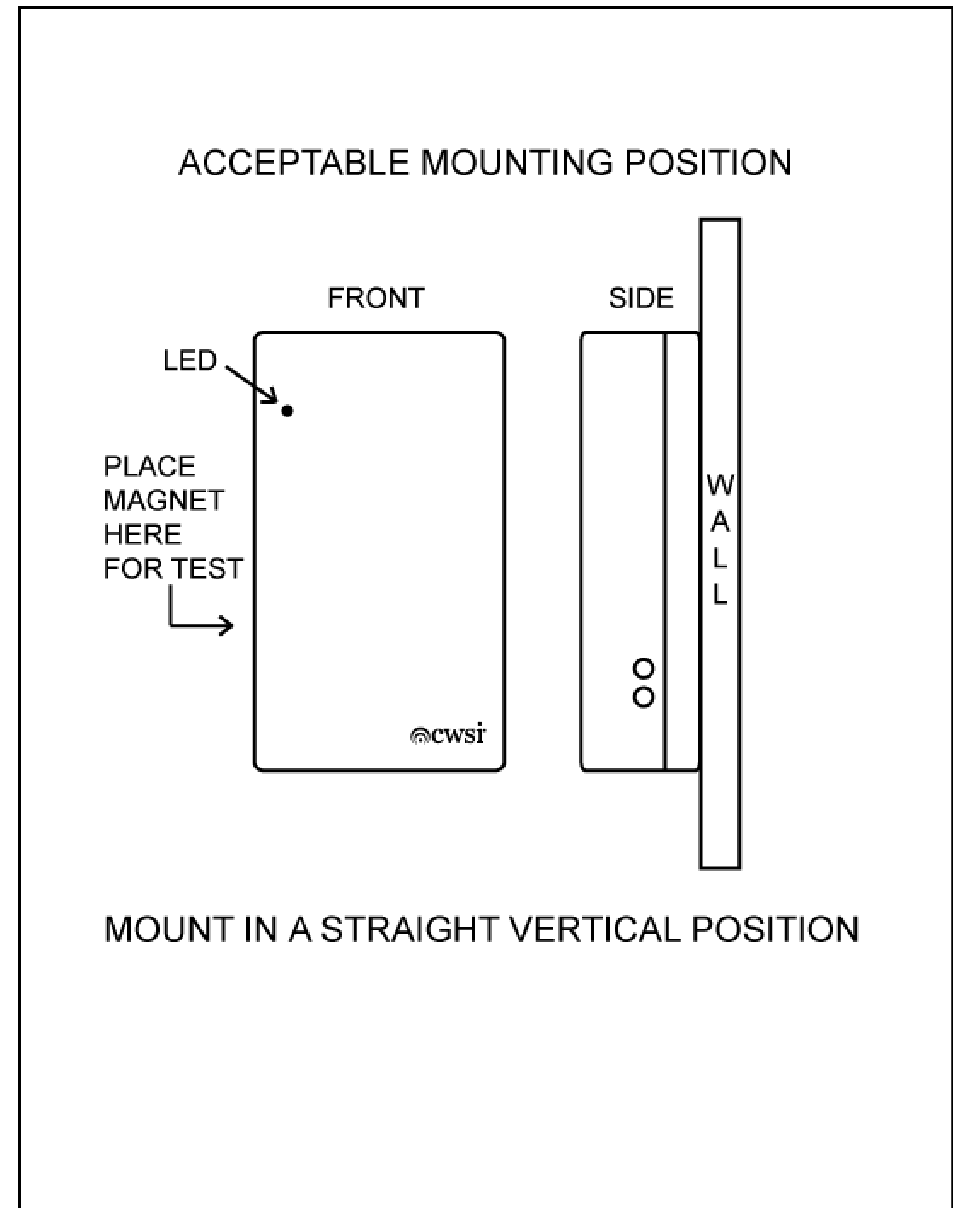


Figure 1

330 WIRING DIAGRAM

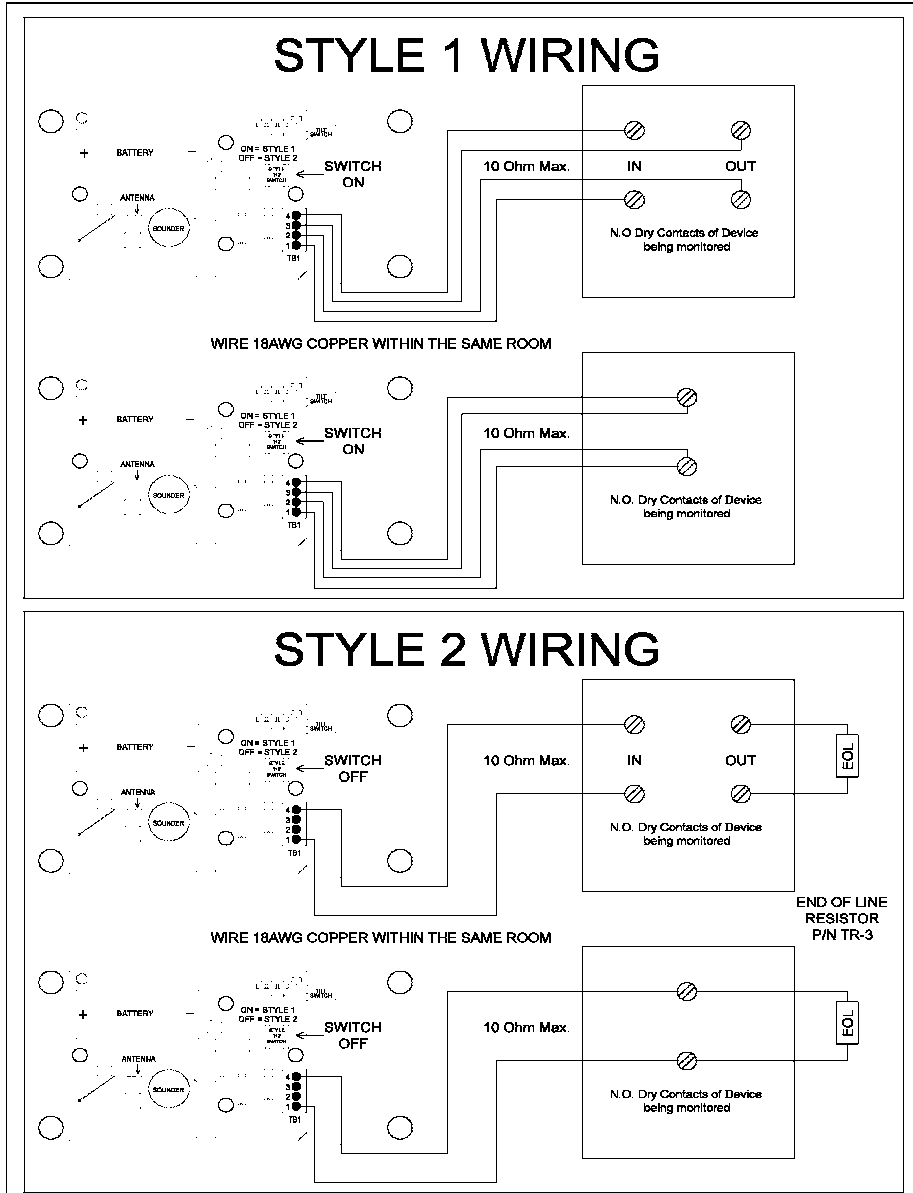


Figure 2

Specifications:

- Battery Type: 3 Volt Lithium; Duracell DL123A, Sanyo CR123A, Panasonic CR123A.
- Battery Life: 12 Months Minimum
- Battery Replacement: Upon Low battery report and/or during annual maintenance.
- Operating Temperature Range: 0°C to +49°C.
- Operating Humidity Range 0 to 95% RH.
- Testing: Follow this manual and NFPA 72 or local requirements.
- Transmission: In compliance with FCC part 15 for reception on equipment manufactured by Commercial Wireless Systems International, LLC.
- Test Transmission: Every 90 seconds.
- Compatibility: Commercial Wireless Systems International, LLC Model CP-3000.
- Size: 4.75 Inches high, 2.55 Inches wide, 1.58 Inches deep.
- Weight 6.4 oz.
- Input Current Rating: 19.1 ua Normal Supervisory. 25 ua. Alarm.
- Initiating loop rating: 3 Vdc, 1ma.

FCC Statement

Important: Any changes or modifications not expressly approved by the party responsible for compliance could void the user's authority to operate the equipment

This device complies with part 15 of the FCC Rules. Operation is subject to the following two conditions: (1) This device may not cause harmful interference, and (2) this device must accept any interference received, including interference that may cause undesired operation.

COMMERCIAL WIRELESS SYSTEMS INTERNATIONAL, LLC
ONE YEAR LIMITED WARRANTY

NOTES

Commercial Wireless Systems International, LLC ("Seller"), 10794 N.W. 53 Street, Sunrise, Florida 33351, warrants this product to be free from defects in workmanship for two years from date of purchase, under normal use and service. Seller's obligation is limited to repairing or replacing, at it's option, free of charge for parts and labor any part proven to be defective in materials or workmanship. Seller shall have no obligation under this warranty otherwise if: (1) the product is altered, repaired or serviced by anyone other than the seller, (2) the product is damaged from accidents, acts of God, misuse, tampering or abuse, (3) product is not installed and operated in accordance with the instructions provided by the seller. In case of defect, contact the fire alarm professional who installed and maintains your fire alarm system or the seller for product repair.

This two year Limited Warranty is in lieu of all other express warranties, obligations, or liabilities. There are no express warranties that extend beyond the face hereof. In no case shall seller be liable to anyone for any consequential or incidental for breach of this or any other warranty, express or implied, or upon any other basis of liability whatsoever, even if the loss or damage is caused by the seller's own negligence or fault. Seller shall have no liability for any personal injury, property damage, or other loss based on a claim that the product failed to operate correctly. However, if the seller is held liable, whether directly or indirectly, for any loss or damage arising under this warranty or otherwise, regardless of cause of origin, Seller's maximum liability shall not in any case exceed the purchase price of the product, and shall be the complete and exclusive remedy against the Seller.



Heat Detector with Transmitter Models 320/321

Description:

The models 320 and 321 are UL listed combination fixed temperature/rate of-rise sensors with temperature ratings of 135°F/57°C (Model 320) or 194°F/90° (Model 321) and a built in transmitter. These heat detectors are intended for use in property protection applications or for non-life-safety installations where smoke detection is not practical or appropriate. The transmitter is fully supervised for tamper, low battery and RF signal integrity. The transmitter is powered by a single 3 volt lithium battery as listed under the specifications section of this manual and the label on the product. The models 320 and 321 are intended to be used with Commercial Wireless Systems International, LLC Model CP-3000 Fire Alarm Control Panel. Refer to the CP-3000 FACP installation instructions, part number 3000.MAN Rev. 1 for additional details. **Warning:** For life-safety installations, smoke detectors must be used, in lieu of, or in addition to mechanical heat detectors.

Programming:

The 320/321 must be enrolled into the CP-3000 FACP before installing the device. **The Models 320/321 will not report Alarms or trouble signals unless it is enrolled into the CP-3000 control panel.** Enrollment must be performed while in front of the CP-3000 FACP. Place the CP-3000 FACP in enrollment mode then install the battery in the model 320-321 transmitter observing polarity marked on the battery holder. The model 320/321 serial number will be displayed on the CP-3000 FACP along with programming options. Refer to the CP-3000 control panel installation instructions for further details on enrollment and transmitter programming options. After the model 310 is enrolled, remove the battery and reinstall it only at the transmitters mounting location.

Installation:

Select an accessible location that is not prone to tampering or accidental damage. **The Model 320-321 must be installed and maintained in accordance with the National Fire Protection Association's Standards (NFPA), the National Electrical Code and all local fire and electrical requirements.** The mounting surface should be relatively flat and capable of accepting screws or anchors. The 320-321 is to be installed in an indoor dry location. Exposure to weather or corrosive conditions may damage the unit. **Perform the signal test described in this manual prior to and after permanently mounting the unit.** It is acceptable to mount the heat detector on a ceiling tile only if the tile is secured with fasteners and can not be removed or the Heat Detector is installed across a ceiling tile metal support where each mounting screw is attached to separate ceiling tiles (figure 1). Mark the mounting location using the keyholes in the back box. Install screws and or anchors. Mount the back box on the screws. Install the battery in the battery holder. Place the front of the unit on the back box and install the closing screws. Be careful not to bend the transmitter's antenna. Perform the **Signal Test** and **Alarm Test** as outlined in this manual.

Cautions:

1. Make sure the battery is firmly installed in the battery clip.
2. The unit must be secured tightly to the mounting surface, so as to not be dislodged.
3. Test the unit after any service or battery change or as often as local or national codes dictate.

Alarm Operation:

If either the fixed temperature or Rate of Rise Sensor is activated, the following will occur:

1. An initial alarm signal is transmitted.
2. A 30 second delay occurs. The alarm cycle is ended if the heat sensor is restored during the 30 second delay.
3. The continued alarm condition causes a repeat alarm transmission.
4. Another 30 second delay as in step 2 occurs.
5. The continued alarm causes a repeat alarm transmission.
6. Step 5 repeats at 60 second intervals until reset.

LED: The LED will flash when any signal is sent from the transmitter.

Alarm Test:

The rate-of-rise mechanism may be subject to reduced sensitivity over time. Annual testing of the rate-of-rise operation is therefore recommended. Before testing, notify the proper authorities that maintenance is being performed and the system will be temporarily out of service. **Warning: Only the Rate of Rise elements of 320-321 models are self-restoring, and may be tested using a hair dryer or heat gun. When testing the ROR element, to prevent the activation of the fixed temperature element, the heat source must not exceed the fixed temperature rating of the detector. If the fixed temperature element is tripped, the heat detector sensor will need replacement.** Activate the ROR element and verify an alarm is received at the control panel.

Heat Detector Sensor Replacement

If the fixed temperature element is tripped the heat sensor will need replacement. Contact an authorized dealer or Commercial Wireless Systems International, LLC for a replacement sensor. Order p/n 20FR for the model 320 and p/n 21FR for the model 321.

To Replace the Sensor:

1. Place the CP-3000 Control Panel in Test mode to prevent any unwanted alarms. (Refer to the CP-3000 manual)
2. Open the Heat Detector case by removing the four screws holding it closed. A tamper signal will be transmitted. Separate the front from the back to expose the battery. Remove the battery.
3. Turn the heat sensor ¼ turn counter-clockwise to expose the heat sensor wires. Disconnect the wires and resistor. Do not discard the resistor.
4. Reattach the wires and resistor to a new temperature sensor. Attach the sensor to its base by turning it ¼ turn clockwise.
5. Replace the battery and close the Heat Detector case with the four screws. Test the unit as described in **Alarm Testing**.
6. If the Heat Detector does not function for alarm testing as described in item 5 then start over at step 2. If it still doesn't operate correctly then replace the entire unit.
7. Remove the panel from test mode. (Refer to the CP-3000 manual)

Signal Testing:

The test must be performed while the heat detector is held in its intended mounting location. Initiate the test by placing a strong magnet along the middle left side of the 320/321 case (figure 2). The model 320/321 piezo sounder will beep twice if the transmitter is located within acceptable range of a repeater or CP-3000 FACP. If two beeps are not heard within 5 seconds of initiating the signal test then relocate the model 310 mounting position closer to the nearest repeater or control panel and perform the test again. Continue this procedure until 2 beeps are achieved. Do not mount the transmitter unless 2 beeps are heard when performing the signal test. This test **must** be performed before and after transmitter installation. Note: A CWSI model AR-3 repeater or CP-3000 Control Panel must be installed and turned on before running this test.

Low battery:

The battery voltage is periodically tested under load. In the event that a low battery is detected, a low battery signal will be sent immediately and repeated every 90 seconds for a minimum of seven days. Where more than one type of trouble exists, all will be repeated in increments of 90 seconds.

Battery Installation and Replacement:

Warning: Always install a new battery of one of the approved types as listed in the Specifications section of this manual and the product label. When a battery is first inserted, a low battery test is performed. If the battery passes the test, The unit should not send a low battery signal. If the battery does not pass this test, the unit will continue to send a low battery until a good battery is installed.

To replace the battery:

1. Place the CP-3000 Control Panel in Test mode to prevent any unwanted alarms. (Refer to the CP-3000 manual)
2. Open the Heat Detector case by removing the four screws holding it closed. A tamper signal will be transmitted. Separate the front from the back to expose the battery. Remove the battery and dispose of properly.
3. To insure proper power down sequence, wait a minimum of 20 seconds before installing a new battery.
4. Install a new approved 3 volt lithium battery in the battery compartment following the polarity diagram inside the compartment. A tamper trouble signal should be indicated on the CP-3000 Control Panel upon installation of the new battery.
5. Close the Heat detector case and reinstall the four screws.
6. Test the Heat Detector as described in **Alarm Testing** section.
7. If the Heat Detector does not function for alarm testing as described in item 6 then start over at step 2. If it still doesn't operate correctly then replace the entire unit.
8. Remove the panel from test mode. (Refer to the CP-3000 manual)

Tamper:

The Model 320-321 contains two tamper switches. One monitors opening of the case and the other one monitors device for removal from its mounting position. Upon detection of a tamper from either switch, a tamper signal is sent and repeated every 90 seconds until the condition is restored. Where more than one type of trouble exists, all will be repeated within 90 seconds.

ACCEPTABLE MOUNTING TO CEILING TILE

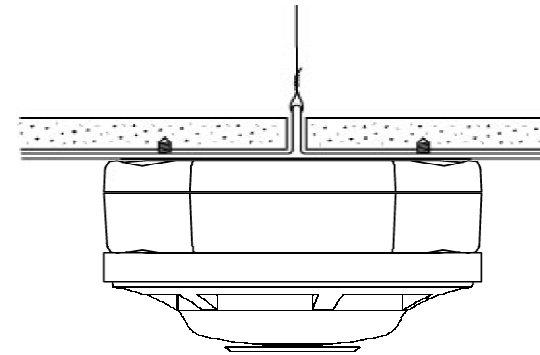


Figure 1

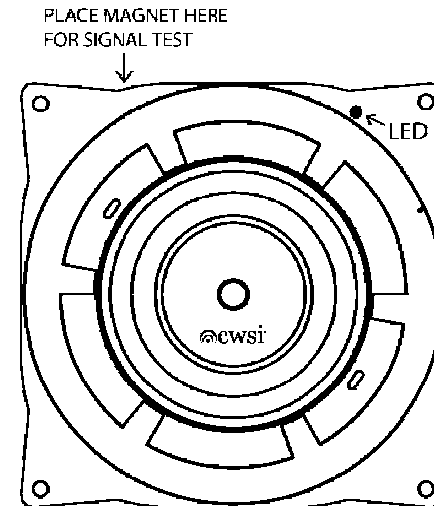
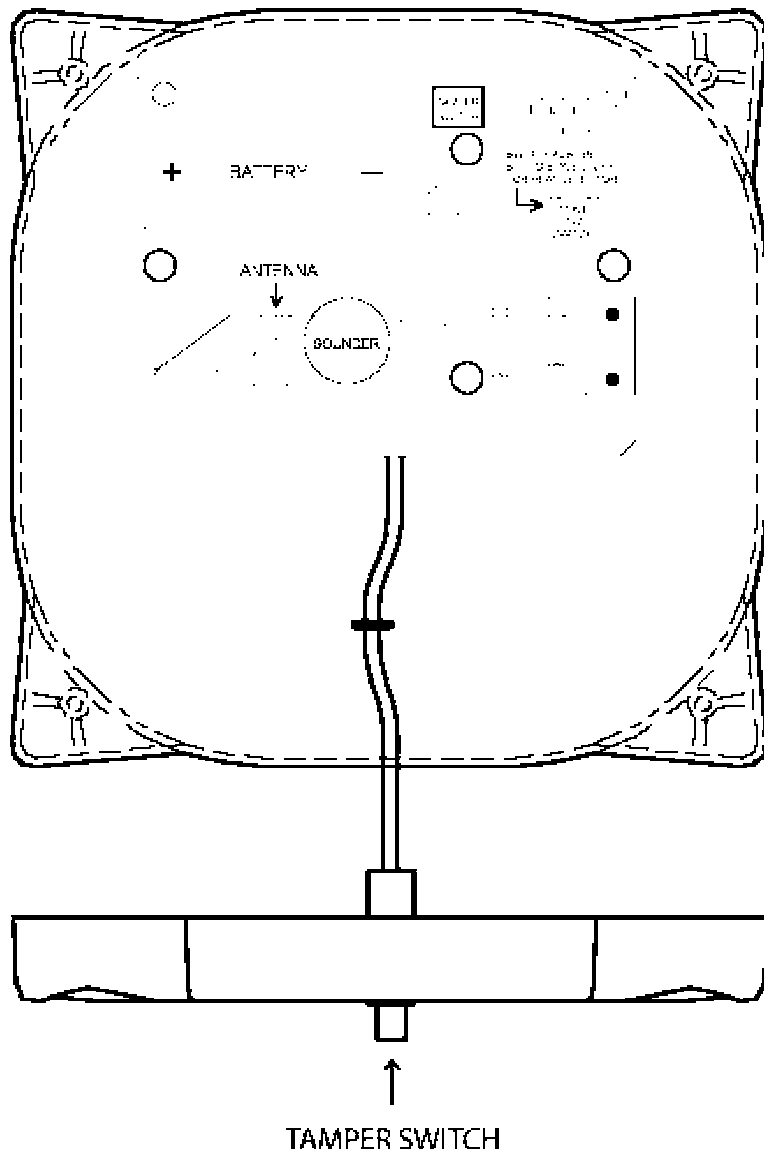


Figure 2



Specifications:

- Battery Type: 3 Volt Lithium; Duracell DL123A, Sanyo CR123A, Panasonic CR123A.
- Battery Life: 12 Months Minimum
- Battery Replacement: Upon Low battery report and/or during annual maintenance.
- Operating Temperature Range: 0°C to +38°C.
- Operating Humidity Range 5 to 95% RH non-condensing.
- Testing: Follow this manual and NFPA 72 or local requirements.
- Transmission: In compliance with FCC part 15 for reception on equipment manufactured by Commercial Wireless Systems International, LLC.
- Test Transmission: Every 90 seconds.
- Compatibility: Commercial Wireless Systems International, LLC Model CP-3000.
- Size: 4.57 Inches high, 4.57 Inches wide, 3.25 Inches deep.
- Weight 6.4 oz.
- Maximum Installation Temperature Model 320: 100°F (38°C)
Model 321: 150°F (65.6°C)
- Alarm Temperature: Model 320: 135°F (57°C)
Model 321: 194°F (90°C)
- Rate-of-Rise Threshold: 15°F (8.3°C) per minute

FCC Statement

Important: Any changes or modifications not expressly approved by the party responsible for compliance could void the user's authority to operate the equipment

This device complies with part 15 of the FCC Rules. Operation is subject to the following two conditions: (1) This device may not cause harmful interference, and (2) this device must accept any interference received, including interference that may cause undesired operation.

COMMERCIAL WIRELESS SYSTEMS INTERNATIONAL, LLC
ONE YEAR LIMITED WARRANTY

Commercial Wireless Systems International, LLC ("Seller"), 10794 N.W. 53 Street, Sunrise, Florida 33351, warrants this product to be free from defects in workmanship for two years from date of purchase, under normal use and service. Seller's obligation is limited to repairing or replacing, at its option, free of charge for parts and labor any part proven to be defective in materials or workmanship. Seller shall have no obligation under this warranty otherwise if: (1) the product is altered, repaired or serviced by anyone other than the seller, (2) the product is damaged from accidents, acts of God, misuse, tampering or abuse, (3) product is not installed and operated in accordance with the instructions provided by the seller. In case of defect, contact the fire alarm professional who installed and maintains your fire alarm system or the seller for product repair.

This two year Limited Warranty is in lieu of all other express warranties, obligations, or liabilities. There are no express warranties that extend beyond the face hereof. In no case shall seller be liable to anyone for any consequential or incidental for breach of this or any other warranty, express or implied, or upon any other basis of liability whatsoever, even if the loss or damage is caused by the seller's own negligence or fault. Seller shall have no liability for any personal injury, property damage, or other loss based on a claim that the product failed to operate correctly. However, if the seller is held liable, whether directly or indirectly, for any loss or damage arising under this warranty or otherwise, regardless of cause of origin, Seller's maximum liability shall not in any case exceed the purchase price of the product, and shall be the complete and exclusive remedy against the Seller.



Fire Pull Station with Transmitter Model 310

Description:

The model 310 is a self-contained dual action lexan fire pull station with a built in transmitter. It is a UL38 listed device and meets the ADA requirement of a 5-lbs. Maximum pull force to activate. Operating instructions are molded into the handle along with Braille text. The Model 310 is fully supervised for tamper, low battery and RF signal integrity. The transmitter is powered by a single 3 volt lithium battery as listed under the specifications section of this manual and the label on the product. The model 310 is intended to be used with Commercial Wireless Systems International, LLC Model CP-3000 Fire Alarm Control Panel. Refer to the CP-3000 FACP installation instructions, part number 3000.MAN Rev. 1 for additional details.

Programming:

The 310 must be enrolled into the CP-3000 FACP before installation of the device. **The Model 310 will not report Alarms or trouble signals unless it is enrolled into the CP-3000 control panel.** Enrollment must be performed while in front of the CP-3000 control panel. Place the CP-3000 FACP in enrollment mode then install the battery in the model 310 transmitter observing polarity marked on the battery holder. The model 310 serial number will be displayed on the CP-3000 FACP along with programming options. Refer to the CP-3000 control panel installation instructions for further details on enrollment and transmitter programming options. After the model 310 is enrolled, remove the battery and reinstall it only at the transmitters mounting location.

Installation:

Select an accessible location that is not prone to tampering or accidental damage. **The Model 310 must be installed and maintained in accordance with the National Fire Protection Association's Standards (NFPA), the National Electrical Code and within the limits defined by the Americans with Disabilities Act (ADA) or per national/local requirements. For ADA compliance, if the clear floor space only allows forward approach to an object, the maximum forward reach height allowed is 48-inches (121.92cm). If the clear floor space allows parallel approach by a person in a wheelchair, the maximum side reach height allowed is 54-inches (137.16cm).**

The mounting surface should be relatively flat and capable of accepting screws or anchors. The 310 is to be installed in an indoor dry location. Exposure to weather or corrosive conditions may damage the unit. The Pull Station must be mounted on a vertical surface so that the CWSI label can be read correctly. **Perform the signal test described in this manual prior to and after permanently mounting the unit.** Fasten the back box to the mounting surface using the 4 screws and anchors supplied. Install the battery in the battery holder. Carefully snap the front assembly on to the back box making sure all four clips have been fully inserted (figure 2). Be careful not to bend the transmitter's antenna. Perform the **Signal Test** and **Alarm Test** as outlined in this manual.

Cautions:

1. Make sure the battery is firmly installed in the battery clip.
2. The unit must be secured tightly to the wall, so as to not be dislodged.
3. Test the unit after any service or battery change or as often as local or national codes dictate.

Alarm Operation:

To activate an alarm from the pull station, push in and pull down on the handle. The word 'ACTIVATED' appears after the handle is pulled down. The pull station remains in the activated position until reset.

When the pull station handle is pulled:

1. An initial alarm signal is transmitted.
2. A 30 second delay occurs. If during this delay the alarm condition is reset and the alarm cycle is ended.
3. The continued alarm condition causes a repeat alarm transmission.
4. Another 30 second delay as in step 2 occurs.
5. The continued alarm causes a repeat alarm transmission.
6. Step 5 repeats at 60 second intervals until reset.

To reset the pull station, insert the key into the lock and rotate ¼ turn counterclockwise. Open the door until the handle returns to normal then close and lock the door. Closing the door automatically resets the switch to the normal position. Opening the door with the key will not activate the alarm switch.

LED: The LED will flash when any signal is sent from the transmitter.

Alarm Test:

Before testing, notify the proper authorities that maintenance is being performed and the system will be temporarily out of service. To activate an alarm from the pull station, push in and pull down on the handle. The word 'ACTIVATED' appears after the handle is pulled down. Verify an alarm is received at the control panel. The pull station remains in the activated position until reset.

To reset the pull station, insert the key into the lock and rotate ¼ turn counterclockwise. Open the door until the handle returns to normal then close and lock the door. Closing the door automatically resets the switch to the normal position. Opening the door with the key will not activate the alarm switch.

Signal Testing:

The test must be performed while the pull station is held in its intended mounting location. Initiate the test by placing a strong magnet along the middle left side of the 310 case (figure 1). The model 310 piezo sounder will beep twice if the transmitter is located within acceptable range of a repeater or CP-3000 FACP. If two beeps are not heard within 5 seconds of initiating the signal test then relocate the model 310 mounting position closer to the nearest repeater or control panel and perform the test again. Continue this procedure until 2 beeps are achieved. Do not mount the transmitter unless 2 beeps are heard when performing the signal test. This test **must** be performed before and after transmitter installation. Note: A CWSI model AR-3 repeater or CP-3000 Control Panel must be installed and turned on before running this test.

Low battery:

The battery voltage is periodically tested under load. In the event that a low battery is detected, a low battery signal will be sent immediately and repeated every 90 seconds for a minimum of seven days. Where more than one type of trouble exists, all will be repeated every 90 seconds.

Battery Installation and Replacement:

Warning: Always install a new battery of one of the approved types as listed in the Specifications section of this manual and the product label. When a battery is first inserted, a low battery test is performed. If the battery passes the test, The unit should not send a low battery signal. If the battery does not pass this test, the unit will continue to send a low battery until a good battery is installed.

To replace the battery:

1. Place the CP-3000 Control Panel in Test mode to prevent any unwanted alarms. (Refer to the CP-3000 manual)
2. Open the Pull Station door using the key provided. This will not cause an alarm. Separate the Pull Station front from the back by releasing the snap latches as shown in figure 2. Remove the battery and dispose of properly.
3. To insure proper power down sequence, wait a minimum of 20 seconds before installing a new battery.
4. Install a new approved 3 volt lithium battery in the battery compartment following the polarity diagram inside the compartment. A tamper trouble signal should be indicated on the CP-3000 Control Panel upon installation of the new battery.
5. Reattach the Pull Station by firmly pushing the front onto the back making sure the snap latches clip into the back box. Close the Pull Station door and lock it with the key.
6. Test the Pull Station for alarm operation.
7. If the Pull Station does not function for alarm operation as described in item 6 then start over at step 2. If it still doesn't operate correctly then replace the entire unit.
8. Remove the panel from test mode. (Refer to the CP-3000 manual)

Tamper:

The Model 310 has an on board tilt sensor that will cause a tamper signal to be transmitted if the 310 case is opened or removed from its mounting position. Upon detection of a tamper, a tamper signal is sent immediately and repeated every 90 seconds until the condition is restored. Where more than one type of trouble exists, all will be repeated within 90 seconds.

MOUNT PULL STATION IN A VERTICAL POSITION ONLY

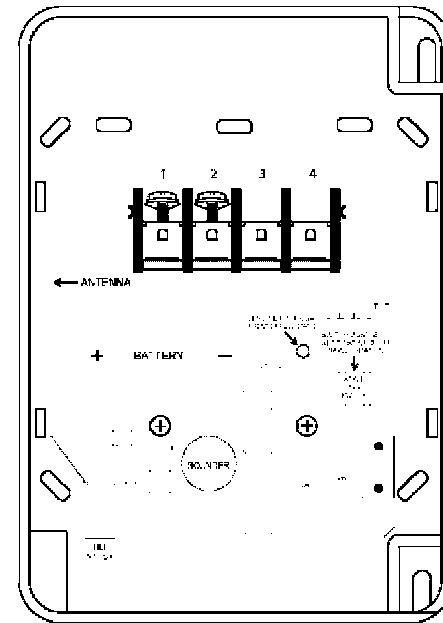


Figure 1

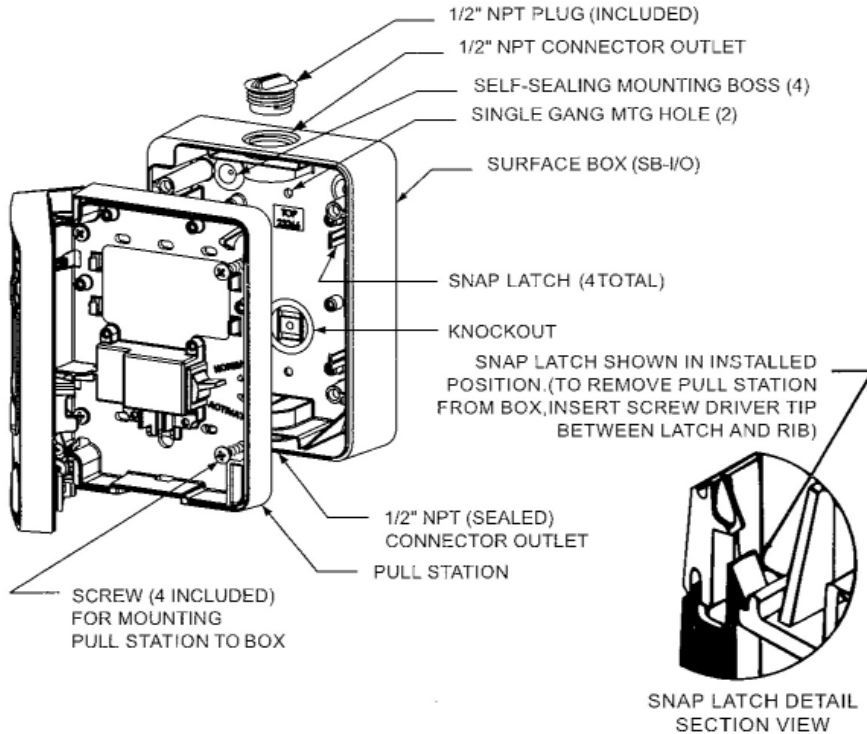


Figure 2

Specifications:

- Battery Type: 3 Volt Lithium; Duracell DL123A, Sanyo CR123A, Panasonic CR123A.
- Battery Life: 12 Months Minimum
- Battery Replacement: Upon Low battery report and/or during annual maintenance.
- Operating Temperature Range: 0°C to +49°C.
- Operating Humidity Range 0 to 95% RH.
- Testing: Follow this manual and NFPA 72 or local requirements.
- Transmission: In compliance with FCC part 15 for reception on equipment manufactured by Commercial Wireless Systems International, LLC.
- Test Transmission: Every 90 seconds.
- Compatibility: Commercial Wireless Systems International, LLC Model CP-3000.
- Size: 5.50 Inches high, 4.12 Inches wide, 2.80 Inches deep.
- Weight 6.4 oz.

FCC Statement

Important: Any changes or modifications not expressly approved by the party responsible for compliance could void the user's authority to operate the equipment

This device complies with part 15 of the FCC Rules. Operation is subject to the following two conditions: (1) This device may not cause harmful interference, and (2) this device must accept any interference received, including interference that may cause undesired operation.

COMMERCIAL WIRELESS SYSTEMS INTERNATIONAL, LLC
ONE YEAR LIMITED WARRANTY

Commercial Wireless Systems International, LLC ("Seller"), 10794 N.W. 53 Street, Sunrise, Florida 33351, warrants this product to be free from defects in workmanship for two years from date of purchase, under normal use and service. Seller's obligation is limited to repairing or replacing, at its option, free of charge for parts and labor any part proven to be defective in materials or workmanship. Seller shall have no obligation under this warranty otherwise if: (1) the product is altered, repaired or serviced by anyone other than the seller, (2) the product is damaged from accidents, acts of God, misuse, tampering or abuse, (3) product is not installed and operated in accordance with the instructions provided by the seller. In case of defect, contact the fire alarm professional who installed and maintains your fire alarm system or the seller for product repair.

This two year Limited Warranty is in lieu of all other express warranties, obligations, or liabilities. There are no express warranties that extend beyond the face hereof. In no case shall seller be liable to anyone for any consequential or incidental for breach of this or any other warranty, express or implied, or upon any other basis of liability whatsoever, even if the loss or damage is caused by the seller's own negligence or fault. Seller shall have no liability for any personal injury, property damage, or other loss based on a claim that the product failed to operate correctly. However, if the seller is held liable, whether directly or indirectly, for any loss or damage arising under this warranty or otherwise, regardless of cause of origin, Seller's maximum liability shall not in any case exceed the purchase price of the product, and shall be the complete and exclusive remedy against the Seller.