

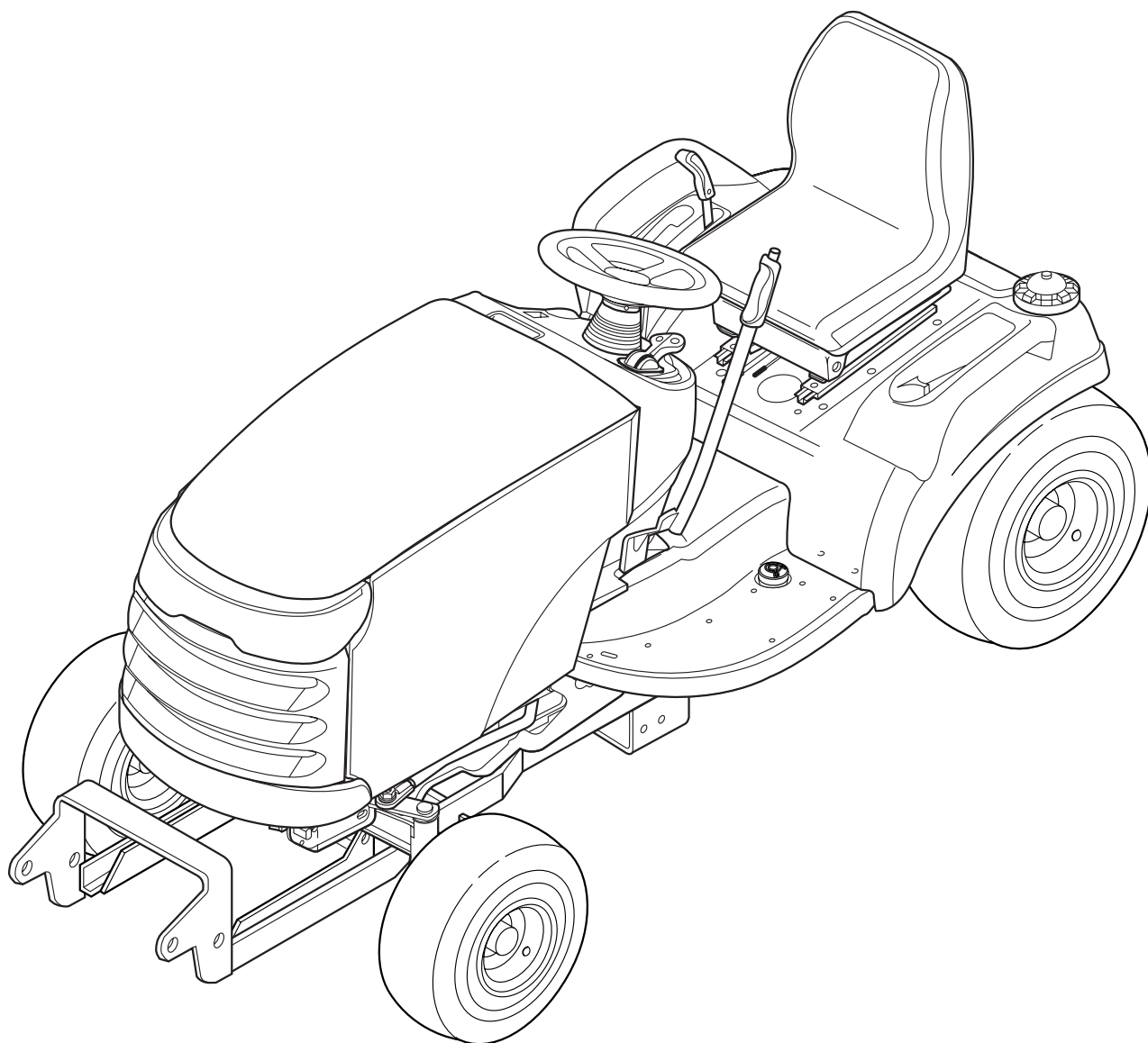
Installation Instructions

Sub-Frame Hitch

Mfg. No. 1694286

For Prestige / 1800 / 2800, Conquest / 1700 / 2700, &
Broadmoor / 1600 / 2600 Series Tractors

This kit is required when installing front mounted snowthrowers.



Main Hitch Components (All Applications)

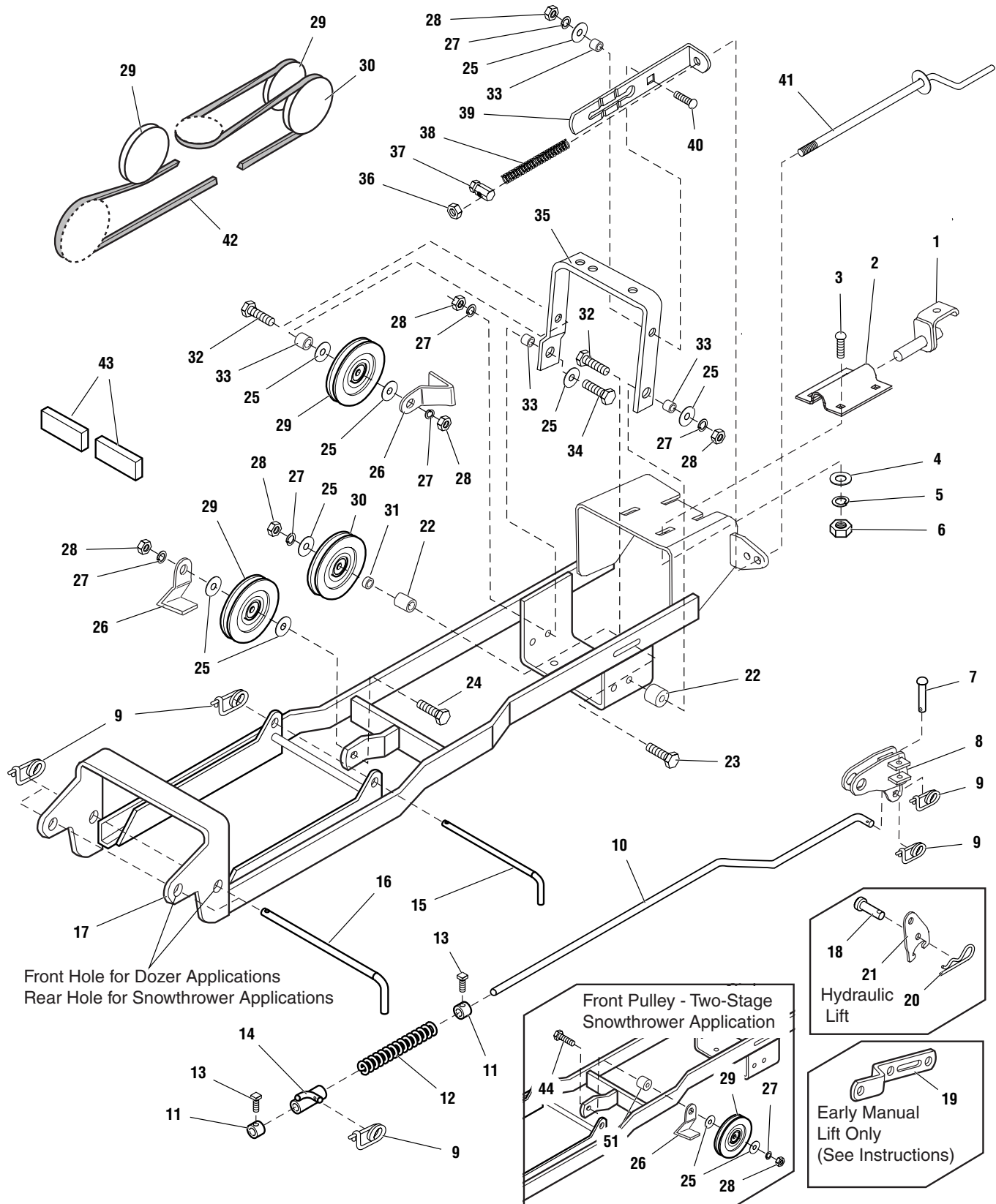


Figure 1. Contents

Ref	Part No.	Qty.	Description
1	1723292	1	SHAFT & HOOK ASSY
2	1653768	1	CLAMP, Support
3	1931335	4	CARRIAGE BOLT, 5/16-18 x 1
4	1919381	4	WASHER, 11/32
5	1917356	3	LOCKWASHER, 5/16
6	1917372	4	NUT, 5/16-18
7	105249	1	PIN, Round Head, 3/8 x 2-3/8
8	1724025	1	LIFT LEVER ASSY.
9	176012	5	SAFETY CLIP
10	1722946	1	LIFT ROD
11	8031007	2	SET COLLAR
12	171011	1	SPRING, Compression
13	1928721	2	SET SCREW, 5/16-18 x 1/2
14	1723115	1	ROD GUIDE
15	1715758	1	ROD, Latch
16	1723309	1	ROD, Hitch
17	1724083	1	HITCH ASSY.
18	1722819	1	PIN, Headless, 1/2 x 2
19	1723795	1	BAR, Lift Link
20	1960033	1	HAIR PIN CLIP
21	1722469	1	PLATE, Lock, Hydraulic Lift
22	1667812	2	SPACER
23	1960244	1	SCREW, Whiz, 3/8-16 x 2-3/4
24	1921971	1	CAPSCREW, 3/8-16 x 3/4
25	1924940	8	WASHER PLAIN, 3/8
26	162115	2	BELT GUIDE
27	1916965	7	LOCKWASHER, 3/8
28	1916950	6	NUT HEX FULL, 3/8-16
29	171247	2	PULLEY-FLAT
30	1666287	1	PULLEY ASS'Y
31	1666294	1	SPACER-BRG
32	1923701	2	CAPSCREW, 3/8-16 x 2
33	158227	4	SPACER
34	1920415	1	CAPSCREW, 3/8-16 x 1-1/4
35	1722963	1	PIVOT BRACKET
36	1930651	1	NUT LOCK, 3/8-16
37	1704743	1	TRUNNION
38	1668282	1	SPRING
39	1722972	1	GUIDE ASS'Y -SPRING
40	1960268	1	CARRIAGE BOLT, 3/8-16 x 1-1/4
41	1704741	1	ROD ASS'Y
42	1703371	1	V-BELT, Single-Stage Blower
42	1703372	1	V-BELT, Two-Stage Blower
43	1701600	2	REFLECTOR
44	1922130	1	CAPSCREW, 3/8-16 x 2-1/4

NOTE: Please read through these instructions and the instructions of any other attachments before beginning installation.

⚠ WARNING

Before beginning any service work turn off the PTO, set the parking brake, turn off the ignition, and disconnect the spark plug wire(s).

INITIAL ASSEMBLY

Assemble Hitch

1. Attach the support clamp (C, Figure 2) and hook assembly (B) to the hitch. Secure with four 5/16-18 x 1 carriage bolts (A), washers (D), lockwashers (E), and nuts (F). Do not tighten the hardware at this time.

Change Pulley & Belt - Two-Stage Blower Only

1. If using this hitch with a two-stage snowthrower, the front idler pulley must be switched from the right hand side of the hitch bracket, to the left, and an additional 3/8 x 1 x 1/2 spacer (B, Figure 3) and 3/8-16 x 2-1/4 capscrew (A) is required. Also install the 1703372 drive belt.

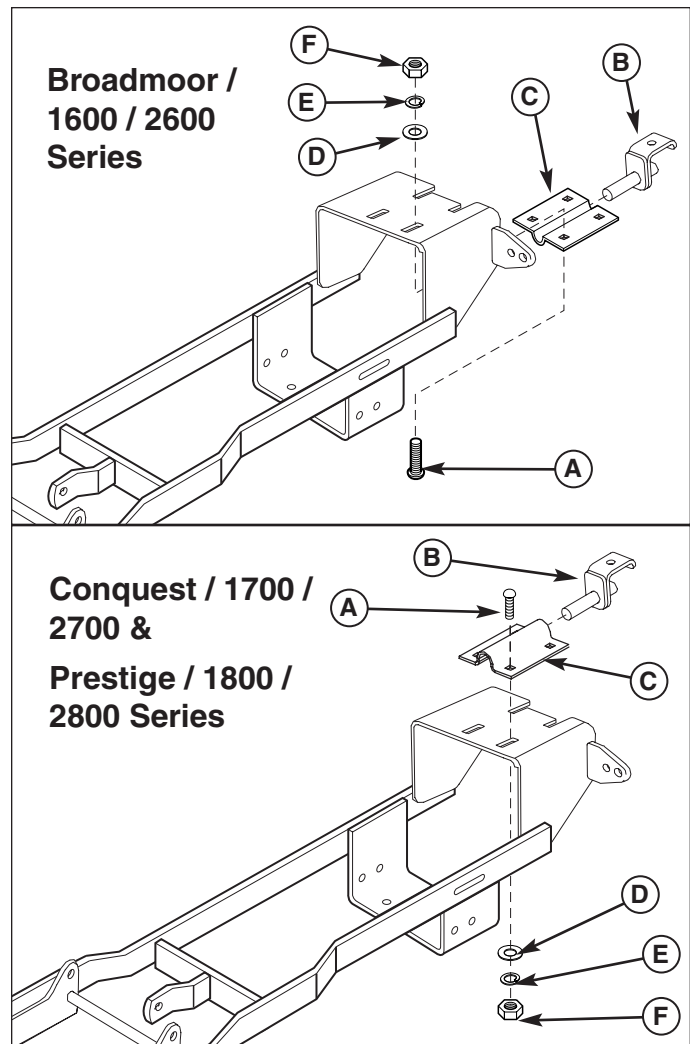


Figure 2. Install Support Clamp

- | | |
|-------------------------------------|---------------------------|
| A. 5/16-18 x 1 Carriage Bolt | D. 11/32 Washer |
| B. Hook Assembly | E. 5/16 Lockwasher |
| C. Support Clamp | F. 5/16-18 Nut |

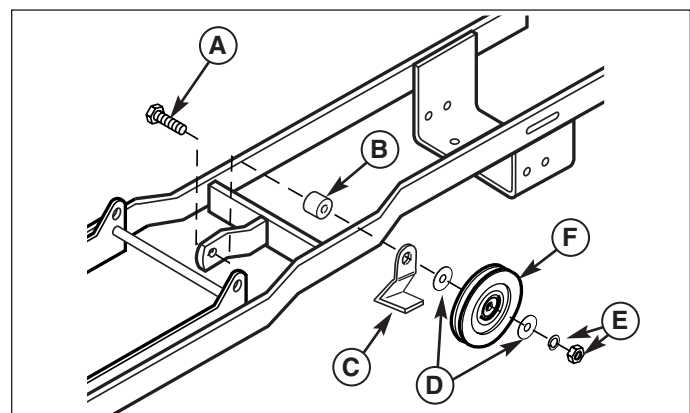


Figure 3. Front Pulley - Two-Stage Applications

- | | |
|------------------------------------|----------------------------|
| A. Capscrew, 3/8-16 x 2-1/4 | D. Washers, 3/8 |
| B. Spacer, 3/8 x 1 x 1/2 | E. Lockwasher & Nut |
| C. Belt Guide | F. Pulley |

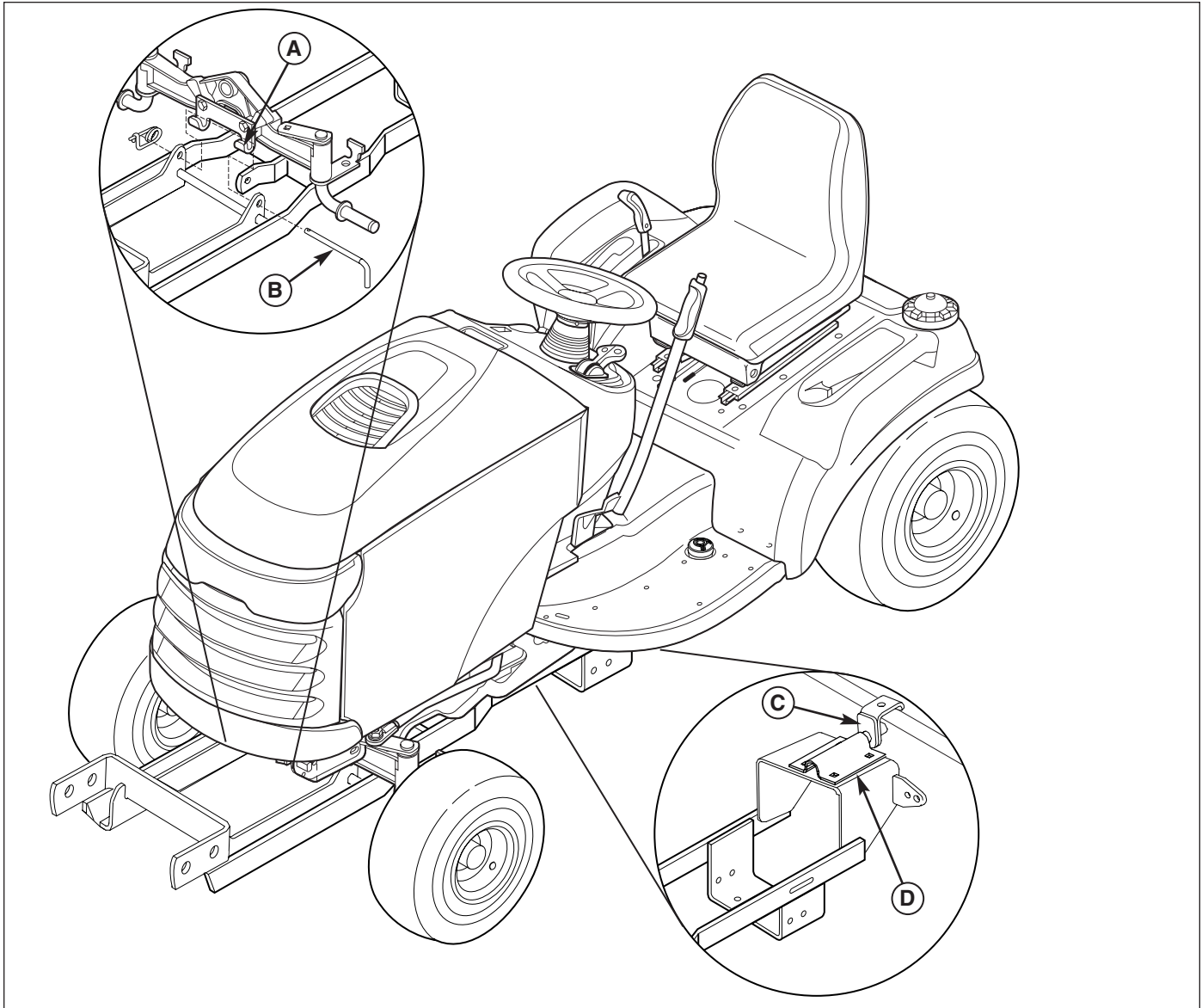


Figure 8. Install Hitch

A. J-Hooks
B. Hitch Rod

C. Hook
D. Clamp Plate

Install Hitch

1. Slide the hitch under the tractor.
2. Raise the rear of the hitch and place the hook (C, Figure 8) over the lift shaft.
3. Connect the front of the hitch to the tractor J-hooks (A) using the hitch rod (B) and a safety clip.
4. Push the clamp plate (D) backwards until the hook (C) is snug against the lift shaft. Tighten the clamp plate hardware.

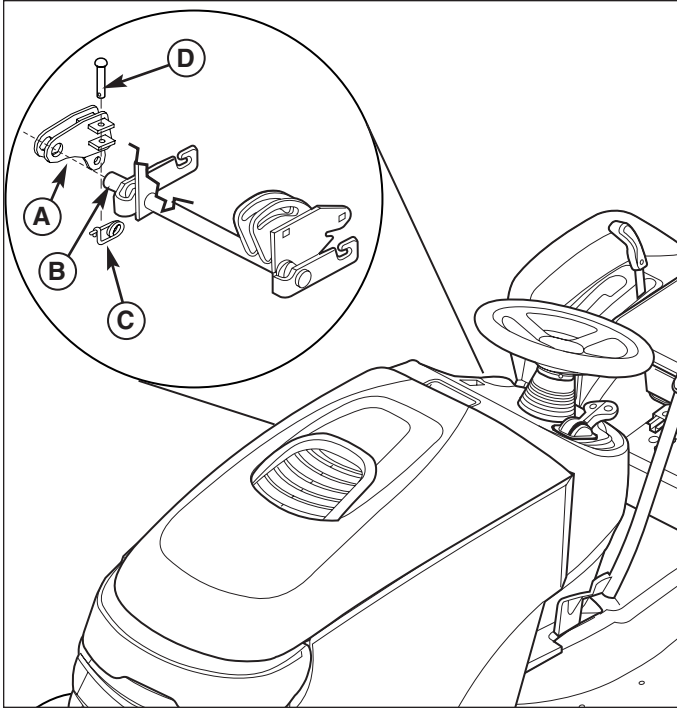


Figure 9. Install Lift Lever

- A. Lift Lever**
- B. Lift Shaft**
- C. Safety Clip**
- D. Clevis Pin**

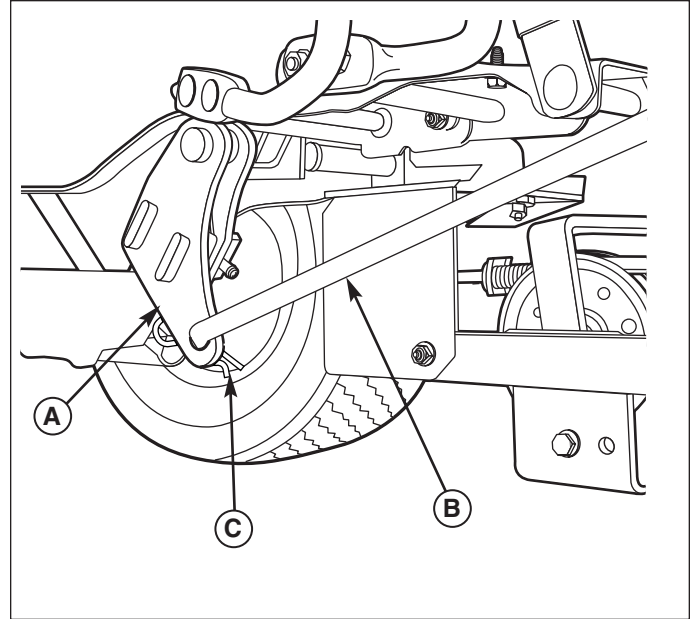


Figure 10. Install Lift Rod - All Models

- A. Lift Lever**
- B. Lift Rod**
- C. Clip**

Install Lift Rod

1. Slide the lift lever (A, Figure 9) onto the end of the tractor lift shaft (B) under the right side footrest.
2. Use the tabs on the lift lever (A) to capture the tractor lift arm. Secure in place with a clevis pin (D) and safety clip (C).
3. Insert the rear of the lift rod (B, Figure 10) into the bottom of the lift lever (A). Secure with a clip (C).

Install Reflectors

1. Install the two reflectors on the rear of the tractor seat deck.

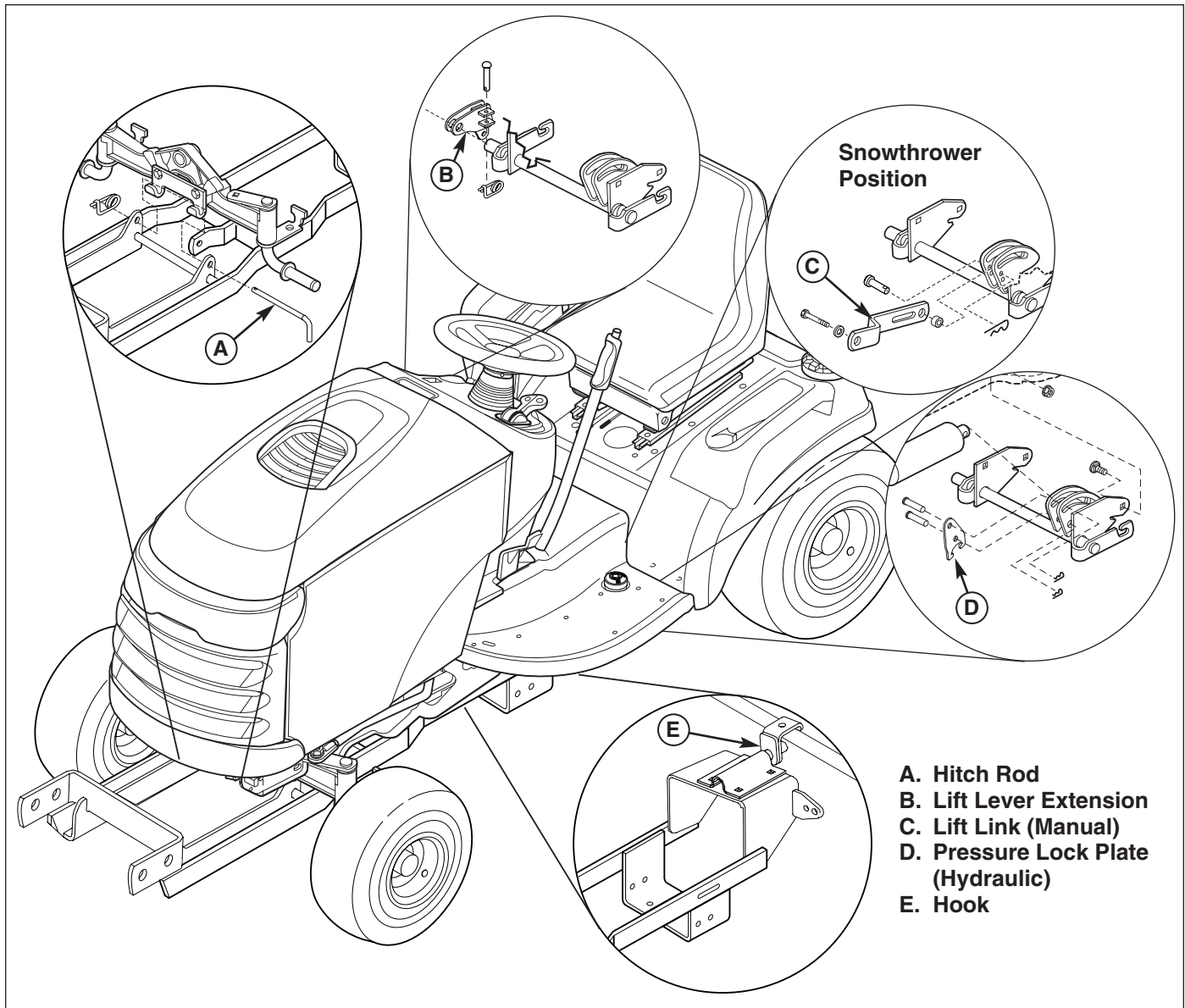


Figure 12. Normal Installation & Removal

REMOVAL

1. Disconnect the lift rod from the attachment and lift lever extension (B, Figure 12).
2. Remove the clevis pin and clip from the lift lever (B) and remove the lift lever.
3. Remove the front hitch rod (A). Remove the hitch and hook (E).
4. Remove the lock plate (D) OR reposition the lift link (C) in mowing position.

NORMAL INSTALLATION

1. Insert the hook (E, Figure 12) into the back of the hitch. Mount the rear of the hitch on the lift cross-shaft.
2. Secure the front of the hitch to the J-hooks using the hitch rod (A).
3. Install the downward pressure lock plate (D) OR place the lift link (C) in snowthrower position.
4. Install the lift lever extension (B).
5. Install the lift rod and attachment (Figure 9).

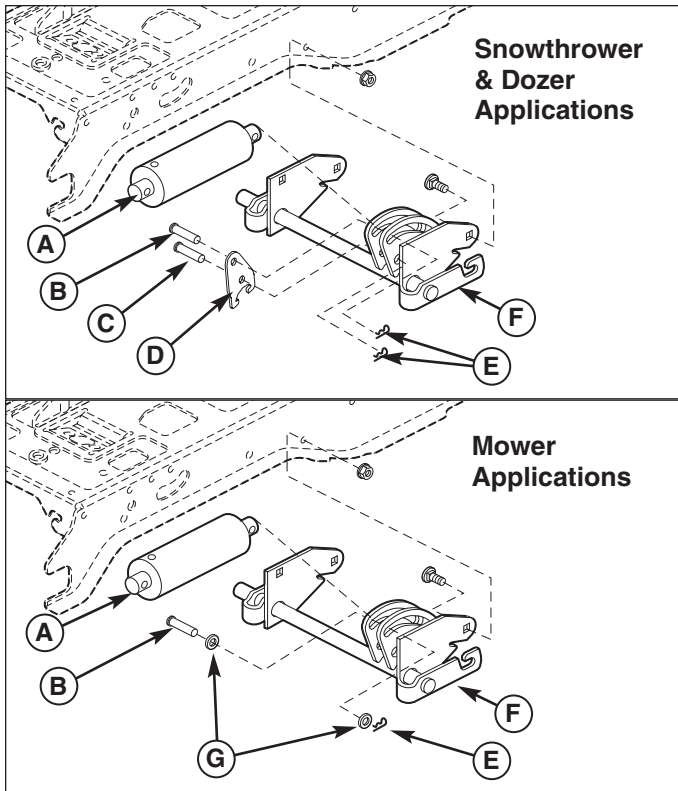


Figure 13. Lift Lock Plate - Hydraulic Lift Models
 A. Lift Cylinder
 B. Flat Head Pin (Original)
 C. Flat Head Pin (New)
 D. Lock Plate
 E. Hair Pin Clips
 F. Lift Shaft Assy.
 G. Washers

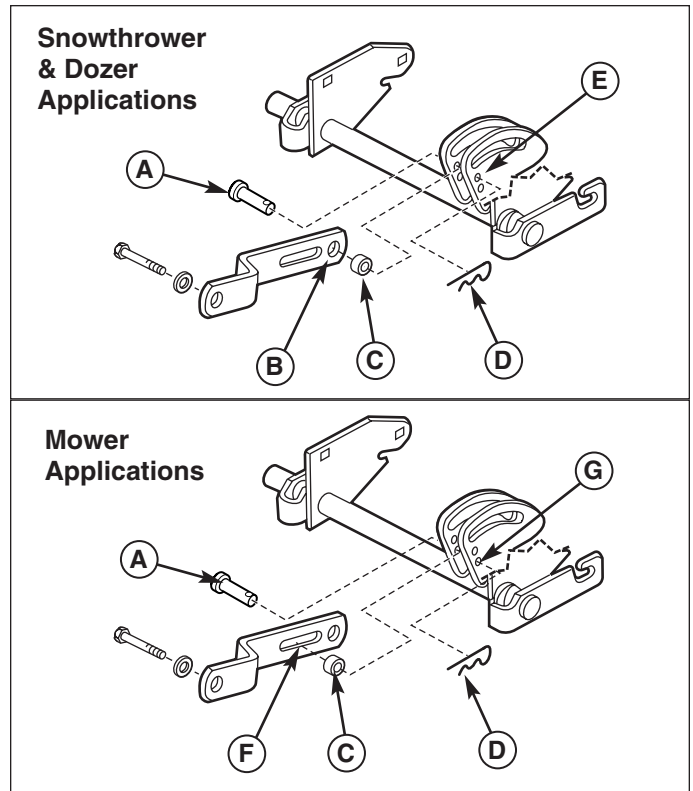


Figure 14. Lift Link - Manual Lift Models
 A. Pin
 B. Rear Hole of Lift Bar (Snowthrower Applications)
 C. Spacer
 D. Hair Pin Clip
 E. Upper Hole (Snowthrower Applications)
 F. Slot of Lift Link (Mower Applications)
 G. Lower Hole (Mower Applications)

LIFT VARIATIONS WHEN USING ATTACHMENTS

When a front-mounted attachment such as a snowthrower or dozer blade is used with the tractor, the lift mechanism must be locked to provide downward force. When the mower is reinstalled the downward pressure lock must be released so that the mower can float.

Hydraulic Lift Models

When using a snowthrower or dozer, the downward pressure lock plate (D, Figure 13) and an additional pin (C) is installed. These parts are included with the attachment. Note that the washers (G) are not used with the lock plate.

When mowing, the downward pressure lock plate (D) is removed and replaced with two washers (G). The additional pin (C) is also removed.

Fully lower the hydraulic lift. The lift assembly is spring loaded so it will need to be held in the down position to perform of the following procedures.

Manual Lift Models

NOTE: These instructions apply to Conquest / 1700 / 2700 Series tractors or Broadmoor / 1600 / 2600 Series tractors equipped with a lift lever kit.

The lift link is installed differently depending on what attachment is being used. Refer to Figure 14 for link installation information.

