



Parts Manual



Regent / 500 / 2500 Series Lawn Tractors & Mower Decks RMO

18.5HP Product

Mfg. No.	Description
2690492	Regent, 18.5HP B&S Hydro RMO w/38" Mower
2690493	Regent, 18.5HP B&S Hydro RMO w/44" Mower
2690494	2518, 18.5HP B&S Hydro RMO w/44" Mower
2690495	Regent, 18.5HP B&S Hydro RMO w/40" Mower

18HP Product

Mfg. No.	Description
2690436	Regent, 18HP KOH Hydro RMO w/38" Mower
2690472	2518, 18HP KOH Hydro RMO w/38" Mower
2690499	518, 18HP KOH Hydro RMO w/38" Mower

20HP Product

Mfg. No.	Description
2690437	Regent, 20HP B&S Hydro RMO w/38" Mower
2690468	520, 20HP B&S Hydro RMO w/38" Mower
2690471	2520, 20HP B&S Hydro RMO w/38" Mower
2690496	Regent, 20HP B&S Hydro RMO w/44" Mower
2690515	Regent, 20HP B&S Hydro RMO TRACTOR ONLY

22HP Product

Mfg. No.	Description
2690438	Regent, 22HP B&S Hydro RMO w/44" Mower
2690467	522, 22HP B&S Hydro RMO w/44" Mower
2690470	2522, 22HP B&S Hydro RMO w/44" Mower
2690516	Regent, 22HP B&S Hydro RMO TRACTOR ONLY

24HP Product

Mfg. No.	Description
2690439	Regent, 24HP B&S Hydro RMO w/50" Mower
2690466	524, 24HP B&S Hydro RMO w/50" Mower
2690469	2524, 24HP B&S Hydro RMO w/50" Mower
2690517	Regent, 24HP B&S Hydro RMO TRACTOR ONLY

Mower Decks

Mfg. No.	Description
1694885	38" Mower Deck
1694888	38" Mower Deck
1694936	38" Mower Deck
1694974	38" Mower Deck (CE)
1694977	38" Mower Deck (CE)
1694976	40" Mower Deck (CE)
1694889	42" Mower Deck
1694886	44" Mower Deck
1694890	44" Mower Deck
1694937	44" Mower Deck
1694975	44" Mower Deck (CE)
1694978	44" Mower Deck (CE)
1695011	44" Mower Deck (CE)
1694887	50" Mower Deck
1694891	50" Mower Deck
1694938	50" Mower Deck

Part No.: 1732835

Rev. 03/2006

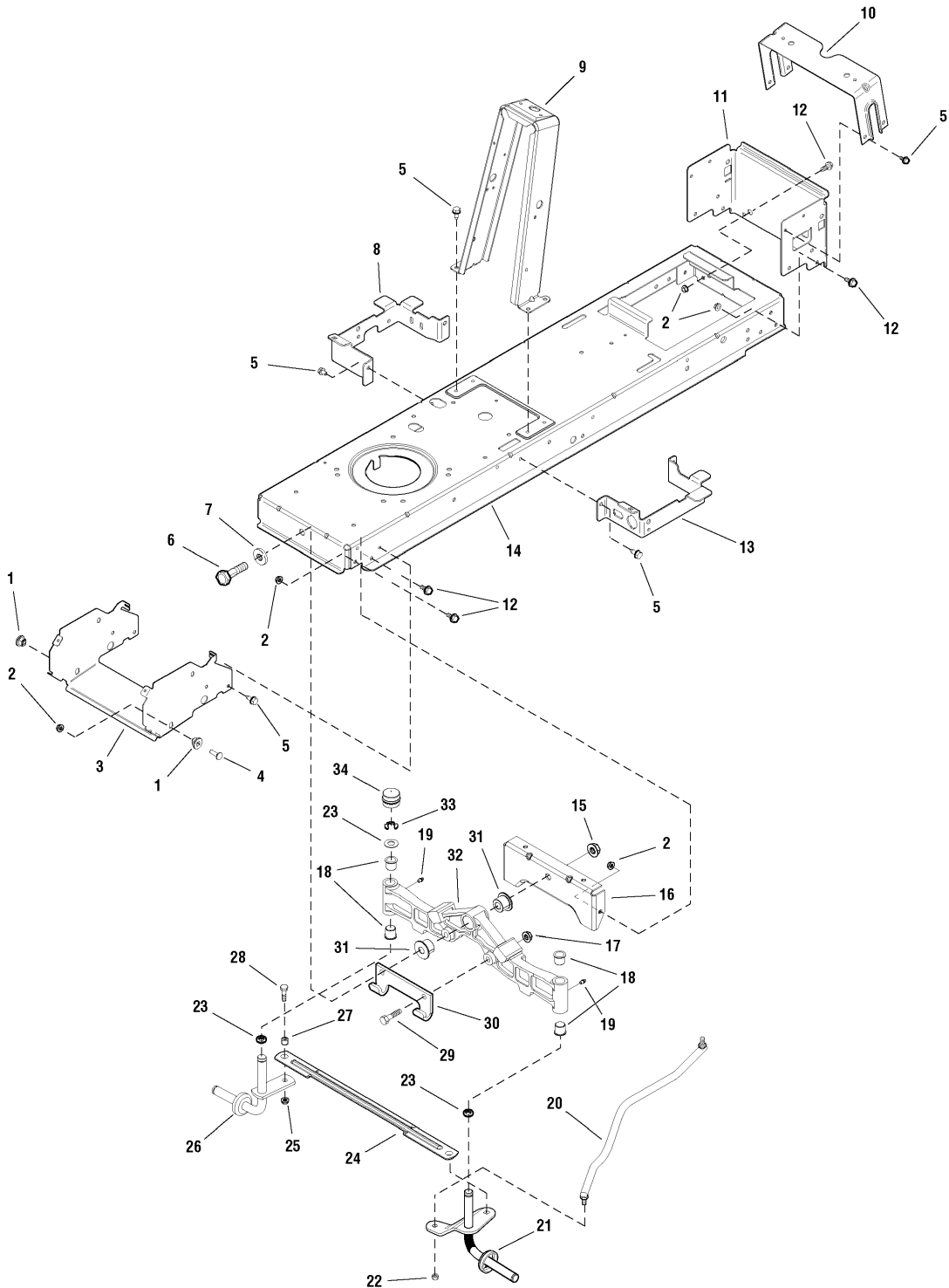
TP 400-4275-02-RG-SMA

PRODUCT COMPONENTS	PAGES
Frame & Front Axle Group	4
Steering Group	6
Engine & Electric Clutch Group, 38" & 42"	8
Engine & Electric Clutch Group, 44" & 50"	10
Transmission Group	12
Controls Group	14
Electrical Group	16
Hood, Grille & Dash Group	20
Seat Deck & Fuel Tank Group	22
Lift Group - Manual	24
Wheels & Tires Group	26
Decals Group - Brand & Model	28
Decals Group - Safety & Common Group	30
38" Mower Deck - Belt, Idler Arm & Hitch Group	32
38" Mower Deck - Height Adjustment & Roller Bar Group	34
38" Mower Deck - Housing, Arbors & Blades Group	38
40" Mower Deck - Belt, Idler Arm & Hitch Group	40
40" Mower Deck - Height Adjustment & Roller Bar Group	42
40" Mower Deck - Housing, Arbors & Blades Group	46
44" & 50" Mower Deck - Belt, Idler Arm & Hitch Group	48
44" Mower Deck - Height Adjustment & Roller Bar Group	50
44" Mower Deck - Housing, Arbors & Blades Group	54
50" Mower Deck - Height Adjustment & Roller Bar Group	56
50" Mower Deck - Housing, Arbors & Blades Group	60
Torque Specification Chart	Inside Back Cover

Frame & Front Axle Group

986847

NOTE: Unless noted otherwise,
use the standard hardware torque
specification chart.



The above parts group applies to the following Mfg. Nos.:

2690436 - Regent	2690468 - 520	2690493 - Regent	2690516 - Regent
2690437 - Regent	2690469 - 2524	2690494 - 2518	2690517 - Regent
2690438 - Regent	2690470 - 2522	2690495 - Regent	
2690439 - Regent	2690471 - 2520	2690496 - Regent	
2690466 - 524	2690472 - 2518	2690499 - 518	
2690467 - 522	2690492 - Regent	2690515 - Regent	

Frame & Front Axle Group

REF NO	PART NO.	QTY.	DESCRIPTION
1	1728086	2	PIVOT, Hood Powdered Metal
2	1931277	16	NUT, Hex, Flange Whizlock, 5/16-18
3	1727982A	1	SUPPORT, Muffler, Hood 14GA
4	1931335	2	CARRIAGE BOLT, 5/16-18 x 1
5	1930601	14	SCREW, Taptite, 5/16-18 x 5/8
6	2860744	1	CAPSCREW, Hex Head, 5/8-11 x 3-1/4 G5
7	1960035	1	WASHER, Flat, 5/8
8	1727904A	1	SUPPORT, Front Footrest RH
9	1727260A	1	TOWER, 12GA
10	1731310A	1	SUPPORT, Seat Deck 12GA
11	1731309A	1	SUPPORT, Rear Frame 12GA
12	1930591	14	CAPSCREW, Hex Head, Flange Whiz Lock, 5/16-18 x 3/4
13	1727905A	1	SUPPORT, Front Footrest LH
14	1727901A	1	FRAME, 12GA
15	2860646	1	NUT, Hex Flange Two-Way Lock, 5/8-11
16	1727902A	1	PLATE, Axle Support
17	1930650	2	LOCKNUT, Hex, Flange, 7/16-14
18	2176440	4	BUSHING, Nylon, 3/4 Diameter
19	1704214	3	FITTING, Zerk
20	1727868	1	LINK, Drag
21	1727873A	1	SPINDLE & ARM ASSEMBLY, LH
22	1960747	2	NUT, Hex Nylock 3/8-24
23	1960160	4	WASHER, 3/4
24	1728080A	1	ROD, Tie
25	1930645	2	NUT, Hex, Flange, Locking, 3/8-16
26	1727872A	1	SPINDLE & CUP ASSEMBLY, RH
27	1731912	2	BUSHING, Powdered Metal
28	1960032	2	CAPSCREW, Hex Head, 3/8-16 x 1-1/4, .141 Thread G5
29	1927531	2	CAPSCREW, 7/16-14 x 2
30	1721918A	1	HOOK, "J"
31	1730186	2	BUSHING, Axle Pivot Powdered Metal
32	1728018	1	AXLE, Front Iron Casting Machined
33	1611710	2	RING, Klipring Extension
34	1726504	2	CAP, Hub

Footnotes

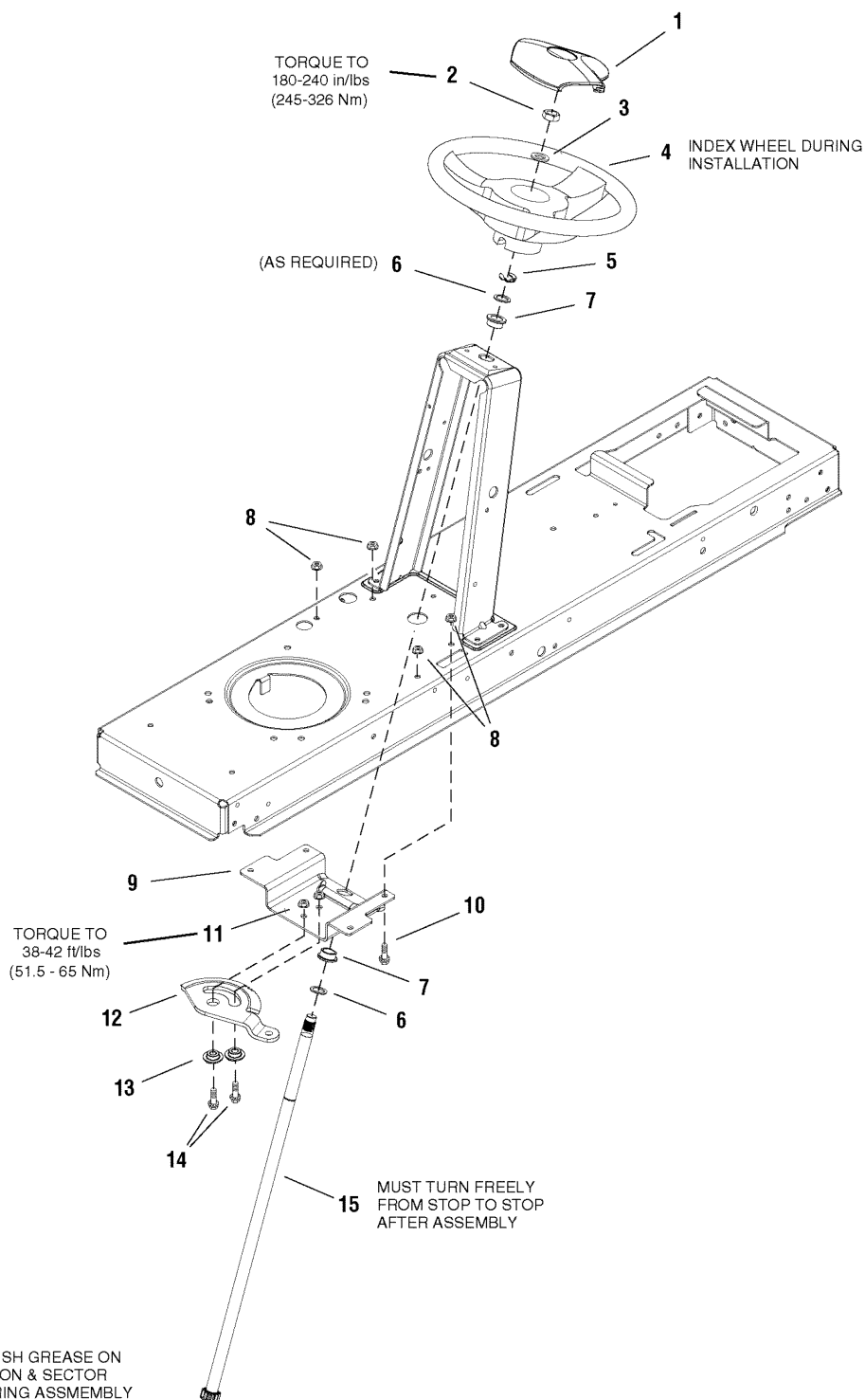
The above parts group applies to the following Mfg. Nos.:

2690436 - Regent	2690468 - 520	2690493 - Regent	2690516 - Regent
2690437 - Regent	2690469 - 2524	2690494 - 2518	2690517 - Regent
2690438 - Regent	2690470 - 2522	2690495 - Regent	
2690439 - Regent	2690471 - 2520	2690496 - Regent	
2690466 - 524	2690472 - 2518	2690499 - 518	
2690467 - 522	2690492 - Regent	2690515 - Regent	

Steering Group

986843

NOTE: Unless noted otherwise, use the standard hardware torque specification chart.



The above parts group applies to the following Mfg. Nos.:

2690436 - Regent	2690468 - 520	2690493 - Regent	2690516 - Regent
2690437 - Regent	2690469 - 2524	2690494 - 2518	2690517 - Regent
2690438 - Regent	2690470 - 2522	2690495 - Regent	
2690439 - Regent	2690471 - 2520	2690496 - Regent	
2690466 - 524	2690472 - 2518	2690499 - 518	
2690467 - 522	2690492 - Regent	2690515 - Regent	

Steering Group

REF NO	PART NO.	QTY.	DESCRIPTION
1	1722319	1	CAP, Steering Wheel
2	1960576	1	NUT, Hex Lock, ESNA Light, 5/8-18, Thin
3	1924366	1	WASHER, 5/8
4	1728069	1	STEERING WHEEL, w/Aluminum Insert
5	1611710	1	RING, Klipring Extension
6	1960114	2	WASHER
7	1729665	2	BUSHING, Steering
8	1931277	4	NUT, Hex, Flange Whizlock, 5/16-18
9	1727940A	1	BRACKET, Sector Support
10	1930591	4	CAPSCREW, Hex Head, Flange Whiz Lock, 5/16-18 x 3/4
11	1931211	2	NUT, Whizlock, 3/8-16
12	1728027	1	GEAR, Steering, 26 teeth
13	1728122	2	SPACER, Sector Gear 0.374ID 1.25OD Powdered Metal Yellow
14	1934654	2	CAPSCREW, Hex, Flange, Whizlock, 3/8-16 x 1
15	1727813	1	SHAFT, Steering Gear & Spline Yellow

Footnotes

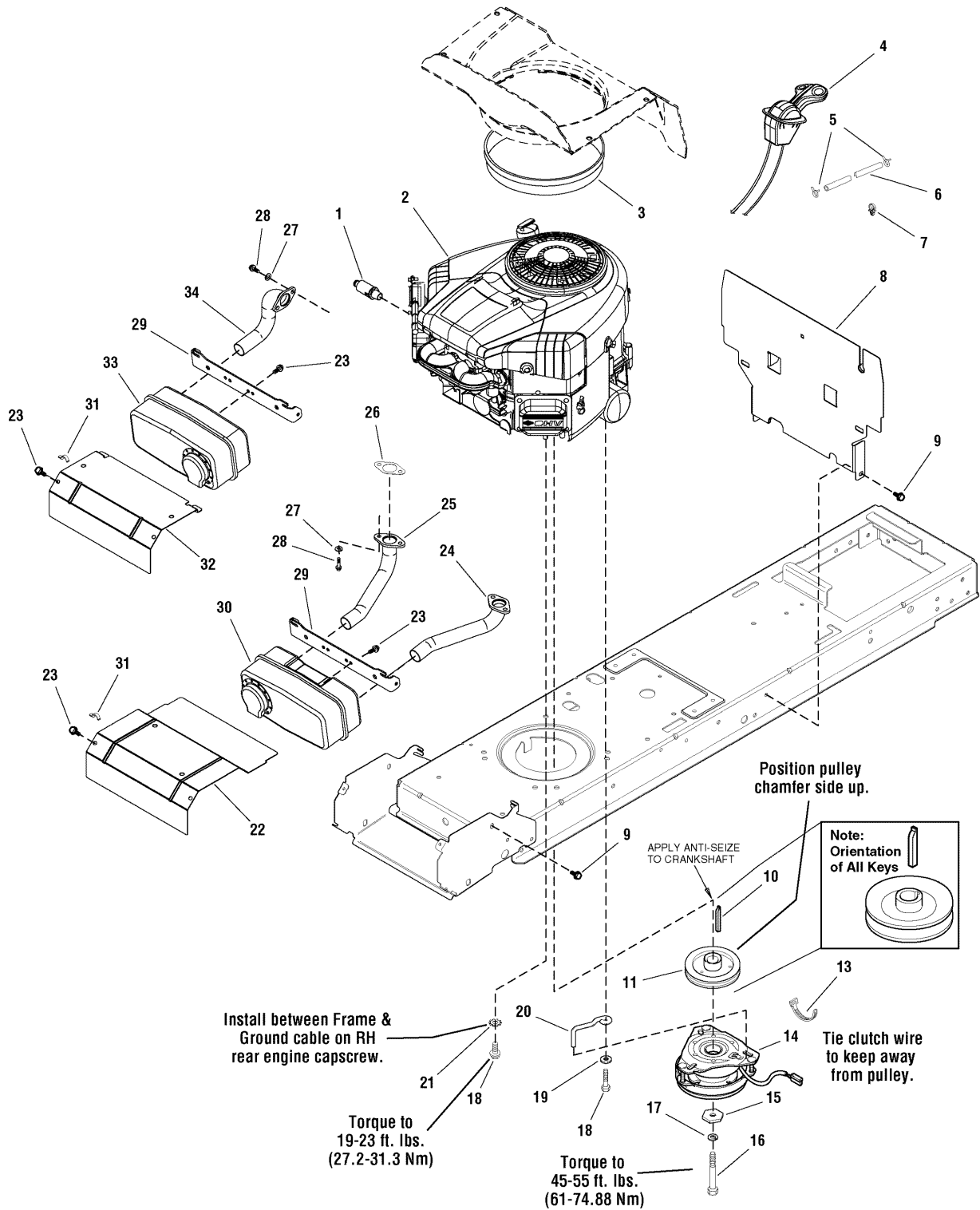
The above parts group applies to the following Mfg. Nos.:

2690436 - Regent	2690468 - 520	2690493 - Regent	2690516 - Regent
2690437 - Regent	2690469 - 2524	2690494 - 2518	2690517 - Regent
2690438 - Regent	2690470 - 2522	2690495 - Regent	
2690439 - Regent	2690471 - 2520	2690496 - Regent	
2690466 - 524	2690472 - 2518	2690499 - 518	
2690467 - 522	2690492 - Regent	2690515 - Regent	

Engine & Electric Clutch Group, 38" & 42"

987056

NOTE: Unless noted otherwise,
use the standard hardware torque
specification chart.



The above parts group applies to the following Mfg. Nos.:

- 2690492 - Regent
- 2690493 - Regent
- 2690494 - 2518
- 2690495 - Regent

Engine & Electric Clutch Group, 38" & 42"

REF NO	PART NO.	QTY.	DESCRIPTION
1	1717473	1	VALVE, Oil Drain
2	**	1	ENGINE, 18HP B&S Intek 1 Cylinder - Model # 31P777 Type # 0121 Trim # B1
2	**	1	ENGINE, 20HP B&S Intek Twin - Model # 406577 Type # 0143 Trim # B1
3	1731970	1	EDGING, Rubber, Short (B&S V-Twin)
3	1731971	1	EDGING, Rubber, Long (B&S Single Only)
4	1731410	1	CONTROL, Throttle Double 20.5, 23.5 B&S Single
4	1731411	1	CONTROL, Throttle Double 34.7, 36 B&S Twin
5	2860112	2	CLAMP, Hose Type E
6	1676861	1	HOSE, Fuel, 45-1/2" Long (B&S V-Twin)
6	1732001	1	HOSE, Fuel 55" Long (B&S Single Only)
7	1730268	2	CLIP, Hose, Plastic, Push-In
8	1728058A	1	SHIELD, Heat
9	1930601	4	SCREW, Taptite, 5/16-18 x 5/8
10	1720463	1	KEY, Hi-Pro, 1/4 x 2-1/2
11	1723497	1	PULLEY
13	2825094	1	TIE, Self Locking 7-5/16
14	1718836	1	CLUTCH ASSEMBLY, Long OGURA
15	1708264	1	WASHER
16	1960649	1	CAPSCREW, 7/16-20 x 3-1/2, Hex Head
17	1918199	1	LOCKWASHER, 7/16
18	2828635	4(1)	SCREW, Hex, Washer Head, Taptite, 3/8-16 x 1-1/4
18	2827187	3	CAPSCREW, Hex Head, Taptite, 3/8-16 x 1-1/2 (B&S Single Only)
19	1924940	1	WASHER, 3/8
20	1732026	1	RETAINER, Clutch, Yellow
21	2820427	1	LOCKWASHER, External Tooth, 3/8
22	1727997A	1	SHIELD, Heat B&S Twin 20GA
23	1925003	4	SCREW, Taptite, 1/4-20 x 1/2
24	1727980	1	PIPE, Exhaust w/Flange LH B&S INT
25	1727979	1	PIPE, Exhaust w/Flange RH B&S INT
26	1731214	2(1)	GASKET, Exhaust B&S
27	1917356	4(2)	LOCKWASHER, 5/16
28	1936228	4(2)	CAPSCREW, Socket Head, 5/16-18 x 3/4
29	1727976A	1	BRACKET, Muffler Mount 12GA
30	1727994	1	MUFFLER, B&S Twin
31	2834683	1	CLIP, Wire
32	1727996A	1	SHIELD, Heat Single Cycle 20GA
33	1727993	1	MUFFLER, B&S Single
34	1728959	1	PIPE, Exhaust w/Flange B&S 1 Cycle

Footnotes

Note** See your local Briggs & Stratton distributor for parts and service.

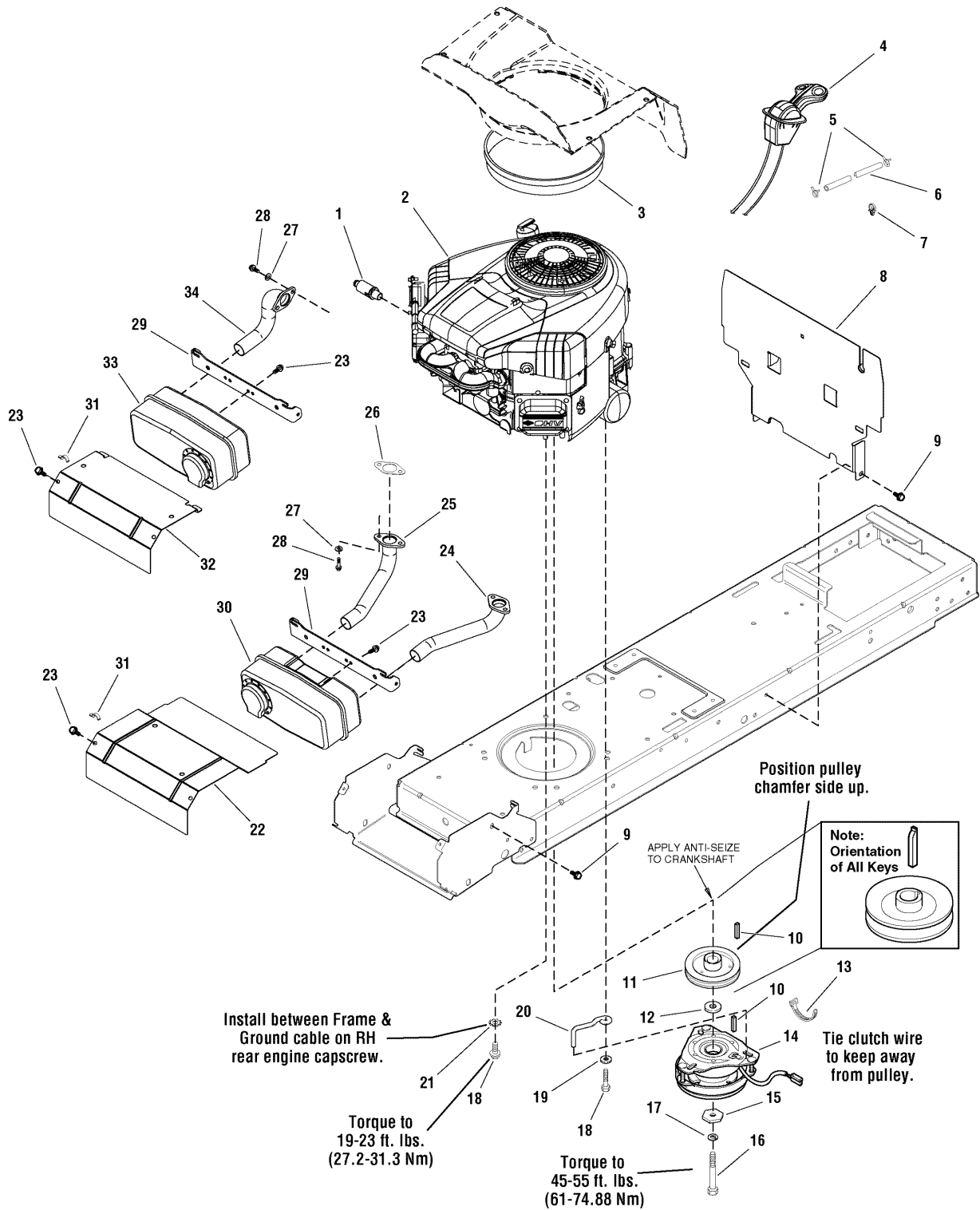
The above parts group applies to the following Mfg. Nos.:

2690492 - Regent
 2690493 - Regent
 2690494 - 2518
 2690495 - Regent

Engine & Electric Clutch Group, 44" & 50"

986840

NOTE: Unless noted otherwise,
use the standard hardware torque
specification chart.



The above parts group applies to the following Mfg. Nos.:

2690436 - Regent	2690468 - 520	2690499 - 518
2690437 - Regent	2690469 - 2524	2690515 - Regent
2690438 - Regent	2690470 - 2522	2690516 - Regent
2690439 - Regent	2690471 - 2520	2690517 - Regent
2690466 - 524	2690472 - 2518	
2690467 - 522	2690496 - Regent	

Engine & Electric Clutch Group, 44" & 50"

REF NO	PART NO.	QTY.	DESCRIPTION
1	1717473	1	VALVE, Oil Drain
2	*	1	ENGINE, 18HP Kohler Single Courage Pro - Model # SV540S-18 HP Spec #PS-SV540-0017
2	**	1	ENGINE, 20HP B&S Intek Twin - Model # 406577 Type # 0143 Trim # B1
2	**	1	ENGINE, 22HP B&S Intek Twin - Model # 445677 Type # 0421 Trim # B1
2	**	1	ENGINE, 24HP B&S Intek Twin - Model # 441777 Type # 0117 Trim # B1
3	1731970	1	EDGING, Rubber, Short (B&S V-Twin & Kohler Single)
4	1731409	1	CONTROL, Throttle Double 19" Long (Kohler Single)
4	1731411	1	CONTROL, Throttle Double 34.7" Long (B&S Twin)
5	2860112	2	CLAMP, Hose Type E
6	1676861	1	HOSE, Fuel, 45-1/2" Long (B&S V-Twin & Kohler Single)
6	1732001	1	HOSE, Fuel 55" Long (B&S Single Only)
7	1730268	2	CLIP, Hose, Plastic, Push-In
8	1728058A	1	SHIELD, Heat
9	1930601	4	SCREW, Taptite, 5/16-18 x 5/8
10	2154096	2	KEY, Square, 1/4 x 1/4 x 29/32 Hard
11	1723497	1	PULLEY
12	1732208	1	SPACER, 1.01 ID x 1.68 OD x 3/8 LG Powdered Metal Yellow
13	2825094	1	TIE, Self Locking 7-5/16
14	1731275	1	CLUTCH ASSEMBLY, Mid-Range OGURA
15	1708264	1	WASHER
16	2860631	1	CAPSCREW, 7/16-20 x 3
17	1918199	1	LOCKWASHER, 7/16
18	2828635	4(1)	SCREW, Hex, Washer Head, Taptite, 3/8-16 x 1-1/4
19	1924940	1	WASHER, 3/8
20	1732199	1	RETAINER, Clutch, Black
21	2820427	1	LOCKWASHER, External Tooth, 3/8
22	1727997A	1	SHIELD, Heat B&S Twin 20GA
23	1925003	4	SCREW, Taptite, 1/4-20 x 1/2
24	1727980	1	PIPE, Exhaust w/Flange LH B&S INT
25	1727979	1	PIPE, Exhaust w/Flange RH B&S INT
26	1731214	2(1)	GASKET, Exhaust B&S
27	1917356	4(2)	LOCKWASHER, 5/16
28	1936228	4(2)	CAPSCREW, Socket Head, 5/16-18 x 3/4
29	1727976A	1	BRACKET, Muffler Mount 12GA
30	1727994	1	MUFFLER, B&S Twin
31	2834683	1	CLIP, Wire
32	1727996A	1	SHIELD, Heat Single Cycle 20GA
33	1727993	1	MUFFLER, B&S Single
34	1727978	1	PIPE, Exhaust w/Flange Kohler

Footnotes

Note* See your local Kohler distributor for parts & service.

Note** See your local Briggs & Stratton distributor for parts and service.

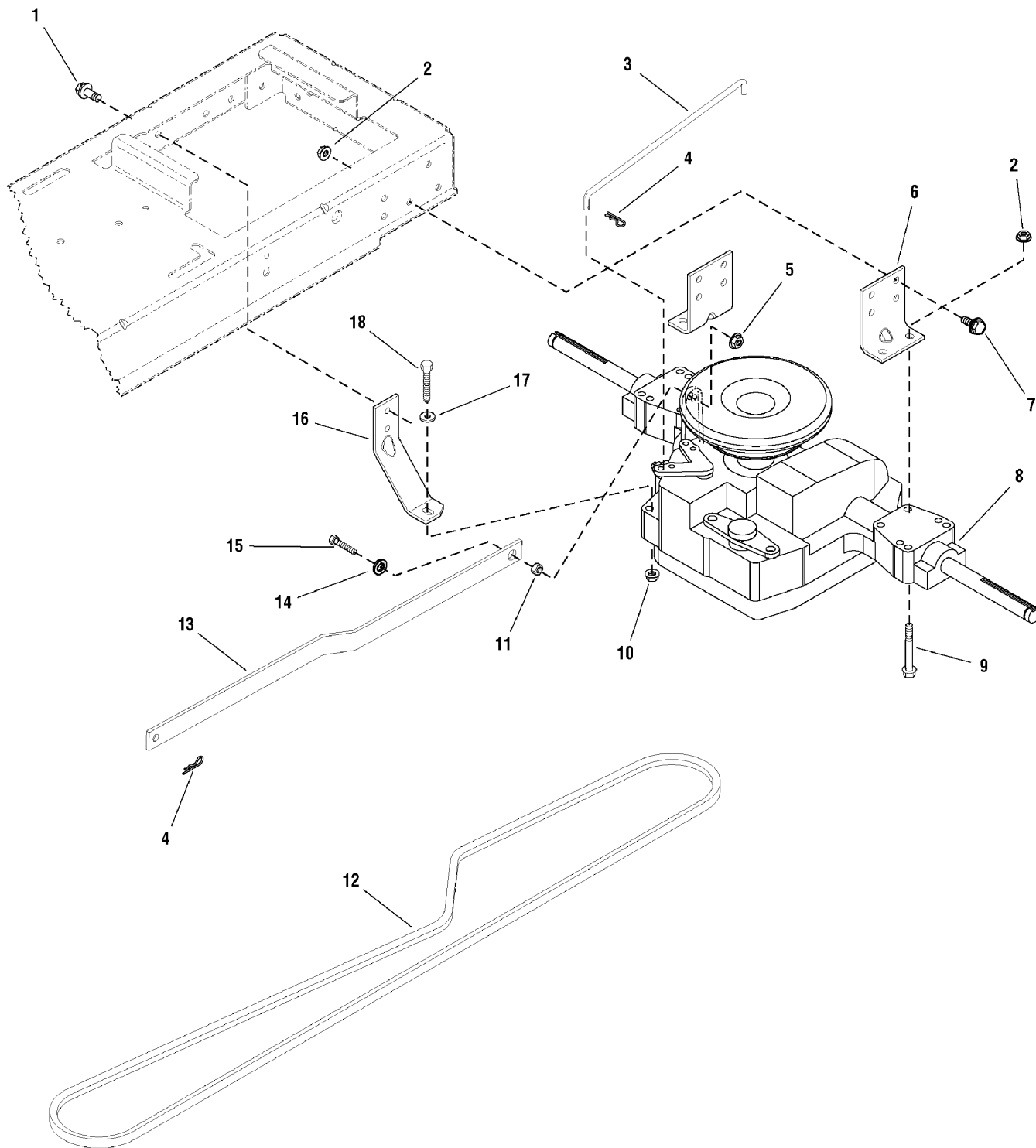
The above parts group applies to the following Mfg. Nos.:

2690436 - Regent	2690468 - 520	2690499 - 518
2690437 - Regent	2690469 - 2524	2690515 - Regent
2690438 - Regent	2690470 - 2522	2690516 - Regent
2690439 - Regent	2690471 - 2520	2690517 - Regent
2690466 - 524	2690472 - 2518	
2690467 - 522	2690496 - Regent	

Transmission Group

987060

NOTE: Unless noted otherwise, use the standard hardware torque specification chart.



The above parts group applies to the following Mfg. Nos.:

2690436 - Regent	2690468 - 520	2690493 - Regent	2690516 - Regent
2690437 - Regent	2690469 - 2524	2690494 - 2518	2690517 - Regent
2690438 - Regent	2690470 - 2522	2690495 - Regent	
2690439 - Regent	2690471 - 2520	2690496 - Regent	
2690466 - 524	2690472 - 2518	2690499 - 518	
2690467 - 522	2690492 - Regent	2690515 - Regent	

Transmission Group

REF NO	PART NO.	QTY.	DESCRIPTION
1	1664847	1	CAPSCREW, Hex Head, Taptite, 5/16-18 x 3/4
2	1931277	8	NUT, Hex, Flange Whizlock, 5/16-18
3	1728120	1	ROD, Bypass, 11.44 LG Yellow
4	1722460	2	PIN, Quick
5	1960686	1	NUT, Hex Flange, 5/16-18 ESNA
6	1727903A	2	SUPPORT, Transmission
7	1930591	4	CAPSCREW, Hex Head, Flange Whiz Lock, 5/16-18 x 3/4
8	1729588	1	TRANSMISSION ASSEMBLY, K46
8	1729589	1	TRANSMISSION ASSEMBLY, K46HD (Used with 22" Tire Models)
9	1960586	4	SCREW, Hex Head Flange Lock, 5/16-18 x 2-1/2
10	1960686	1	NUT, Hex Flange, 5/16-18 ESNA
11	1666697	1	SPACER
18	1922127	1	CAPSCREW, Hex Head, 5/16-18 x 1-3/4
12	1728008	1	V-BELT, Drive Belt, Aramid/Kevlar
13	1727258A	1	ARM, Control 7GA
14	1919326	1	WASHER, Flat, 5/16
15	1921333	1	CAPSCREW, Hex Head, 5/16-18 x 1
16	1728043A	1	STRAP, Torque 7 GA
17	1919381	1	WASHER, Plain, 5/16

Footnotes

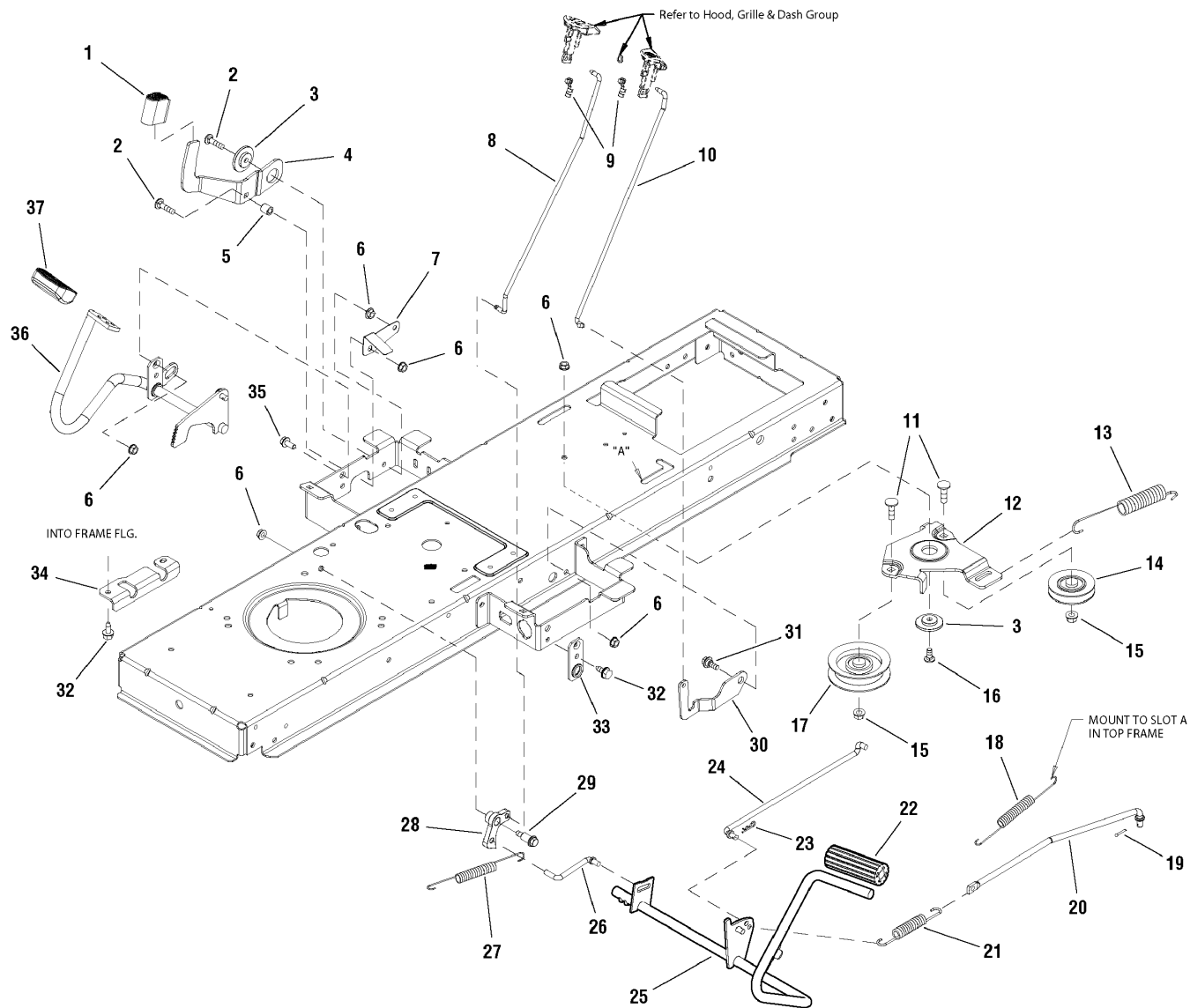
The above parts group applies to the following Mfg. Nos.:

2690436 - Regent	2690468 - 520	2690493 - Regent	2690516 - Regent
2690437 - Regent	2690469 - 2524	2690494 - 2518	2690517 - Regent
2690438 - Regent	2690470 - 2522	2690495 - Regent	
2690439 - Regent	2690471 - 2520	2690496 - Regent	
2690466 - 524	2690472 - 2518	2690499 - 518	
2690467 - 522	2690492 - Regent	2690515 - Regent	

Controls Group

986842

NOTE: Unless noted otherwise, use the standard hardware torque specification chart.



The above parts group applies to the following Mfg. Nos.:

2690436 - Regent	2690468 - 520	2690493 - Regent	2690516 - Regent
2690437 - Regent	2690469 - 2524	2690494 - 2518	2690517 - Regent
2690438 - Regent	2690470 - 2522	2690495 - Regent	
2690439 - Regent	2690471 - 2520	2690496 - Regent	
2690466 - 524	2690472 - 2518	2690499 - 518	
2690467 - 522	2690492 - Regent	2690515 - Regent	

Controls Group

REF NO	PART NO.	QTY.	DESCRIPTION
1	1727259	1	PAD, Foot Pedal Reverse
2	1960223	2	CARRIAGE BOLT, 5/16-18 x 1-1/4
3	1727935	2	SPACER, Pivot 0.330ID 1.76OD .37TH Powdered Metal
4	1727246A	1	PEDAL, Reverse
5	1728024	1	SPACER, Foot Pedal Powdered Metal
6	1931277	6	NUT, Hex, Flange Whizlock, 5/16-18
7	1728025	1	ACTUATOR, RMO Switch 20GA
8	1727898	1	ROD, Cruise Latch, 16.97LG
9	1728111	2	CLIP, Linkage, Black
10	1727267	1	ROD, Parking Brake, 16.38 LG Yellow
11	1960268	2	CARRIAGE BOLT, 3/8-16 x 1-1/4
12	1727894A	1	BRACKET, Idler 7GA
13	1729620	1	SPRING, Extension 07.52 LG Black
14	1728001	1	PULLEY, 3 OD Plastic
15	1960687	2	NUT, Hex Flange, 3/8-16 ESNA
16	1931335	1	CARRIAGE BOLT, 5/16-18 x 1
17	1728000	1	PULLEY, Idler
18	1721995	1	SPRING, Extension
19	1918447	1	PIN, Cotter 3/32 x 3/4
20	1727253	1	ROD, Brake, 15.1 LG
21	1731262	1	SPRING, Extension 05.37 LG Black
22	1727261	1	PEDAL, Brake Rubber
23	1722460	1	PIN, Quick
24	1727254	1	ROD, Brake Return, 12.60 LG
25	1727252A	1	PEDAL ASSEMBLY, Brake
26	1727899	1	ROD, Cruise Latch, 2.83 LG
27	2159181	1	SPRING, Tension, Clutch
28	1727897	1	LATCH, Cruise Powdered Metal
29	1728976	1	BOLT, Shoulder 5/16-18 G5
30	1727269A	1	LATCH, Brake Lock 10GA
31	1729576	1	BOLT, Shoulder 5/16-18 G5
32	1930601	3	SCREW, Taptite, 5/16-18 x 5/8
33	1727911A	1	PLATE, Bearing
34	1727909A	1	BRACKET, Pedal Pivot 10GA
35	1930591	1	CAPSCREW, Hex Head, Flange Whiz Lock, 5/16-18 x 3/4
36	1727250A	1	PEDAL ASSEMBLY, Forward
37	1721675	1	PAD, Foot Pedal Forward

Footnotes

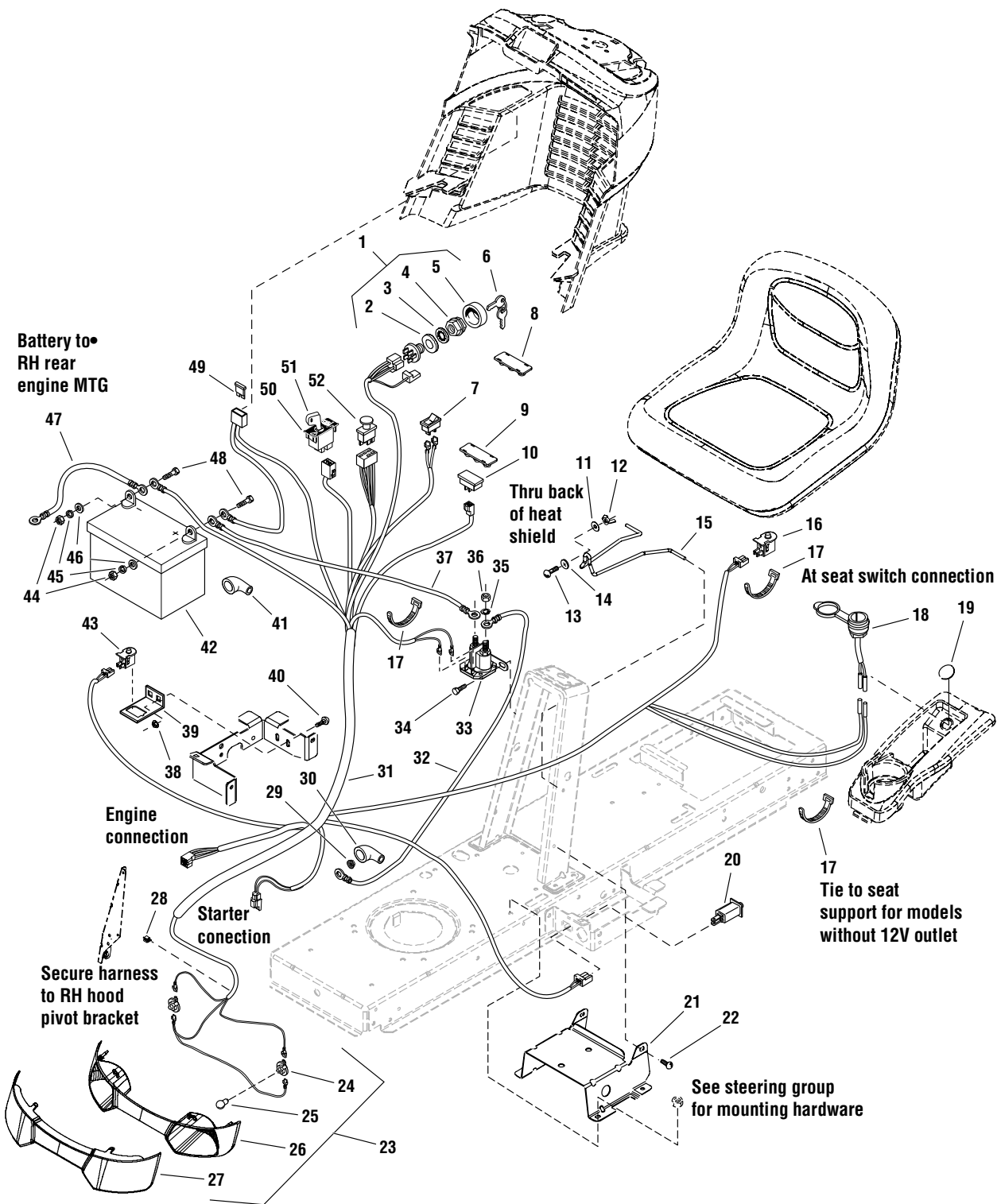
The above parts group applies to the following Mfg. Nos.:

2690436 - Regent	2690468 - 520	2690493 - Regent	2690516 - Regent
2690437 - Regent	2690469 - 2524	2690494 - 2518	2690517 - Regent
2690438 - Regent	2690470 - 2522	2690495 - Regent	
2690439 - Regent	2690471 - 2520	2690496 - Regent	
2690466 - 524	2690472 - 2518	2690499 - 518	
2690467 - 522	2690492 - Regent	2690515 - Regent	

Electrical Group

986851

NOTE: Unless noted otherwise, use the standard hardware torque specification chart.



The above parts group applies to the following Mfg. Nos.:

2690436 - Regent	2690468 - 520	2690493 - Regent	2690516 - Regent
2690437 - Regent	2690469 - 2524	2690494 - 2518	2690517 - Regent
2690438 - Regent	2690470 - 2522	2690495 - Regent	
2690439 - Regent	2690471 - 2520	2690496 - Regent	
2690466 - 524	2690472 - 2518	2690499 - 518	
2690467 - 522	2690492 - Regent	2690515 - Regent	

Electrical Group

REF NO	PART NO.	QTY.	DESCRIPTION
1	1716061	1	SWITCH ASSEMBLY, Ignition, 6-Pole (Includes Ref. 2, 3, 4 & 5)
2	2101025	1	WASHER, 5/8
3	1960547	1	LOCKWASHER, Internal Tooth, 5/8
4	1717549	1	NUT, Hex, Flange, 5/8-32
5	1717550	1	COVER, Ignition
6	1717163	1	IGNITION KEY (Set of 2)
7	1716951	1	SWITCH, Headlights, 2 Terminal
8	1722611	1	PLUG, Hole, Square
9	1729993	1	PLUG, Hour Meter (Kohler and B&S Single)
10	1728068	1	METER, Hour, LCD (B&S V-Twin Only)
11	1960353	1	WASHER, Plain, 1/4 (6 Total for Export)
12	2860293	1	NUT, Wing, 1/4-20
13	1931318	1	CARRIAGE BOLT, 1/4-20 x 7/8
14	1960518	1	NUT, Push On
15	1730007	1	HOLD DOWN, Battery
16	1732005	1	SWITCH, Push Button (NC)
17	2825094	3	TIE, Self Locking 7-5/16
18	7073090	1	OUTLET, 12 Volt DC Power
19	1732007	1	PLUG, Hole Models W/O 12V Adapter
20	1732006	1	SWITCH, Push Button (NO/NC)
21	1727282A	1	SUPPORT, Battery 12 GA
22	1930601	4	SCREW, Taptite, 5/16-18 x 5/8
23	1727296	1	HEADLIGHT ASSEMBLY (Includes Ref. 24, 25, 26 & 27)
24	1723451	2	SOCKET ASSEMBLY
25	1677371	2	BULB, 1141-12V 21CP
26	1728973	1	REFLECTOR, Headlight
27	1728974	1	LENS, Headlight
28	2834683	1	CLIP, Speed Wire
29	1960294	1	NUT, Hex, Flange, 1/4-20
30	1713535	1	COVER, Terminal
31	1728097	1	HARNESS, Wiring
32	1721830	1	CABLE, Solenoid to Starter
33	1728963	1	SOLENOID
34	1925003	2	SCREW, Taptite, 1/4-20 x 1/2
35	2820426	2	LOCKWASHER, External Tooth, 5/16
36	2820263	2	NUT, Hex, 5/16-24 NF
36	1722841	1	BATTERY
37	1716549	1	CABLE, #6 x 10 Long, with 2 Ring Terminals, Battery to Solenoid
38	1931277	2	NUT, Hex, Flange Whizlock, 5/16-18
39	1728026A	1	SUPPORT, RMO Switch
40	1931333	2	CARRIAGE BOLT, 5/16-18 x 3/4
41	1677296	1	BOOT, Insulator
42	1722841	1	BATTERY
43	1732004	1	SWITCH, Push Button (NO), Reverse Pedal

Footnotes

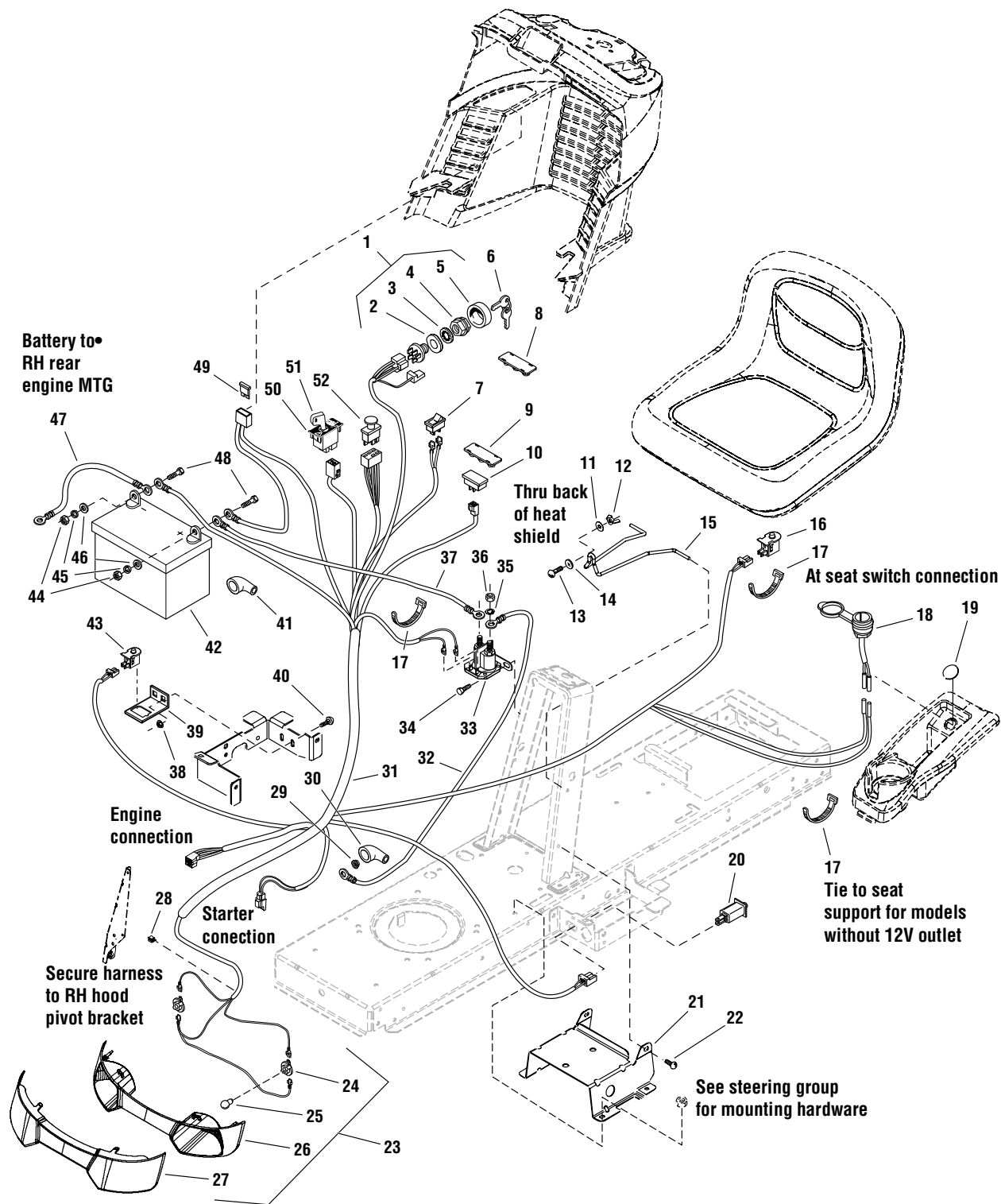
The above parts group applies to the following Mfg. Nos.:

2690436 - Regent	2690468 - 520	2690493 - Regent	2690516 - Regent
2690437 - Regent	2690469 - 2524	2690494 - 2518	2690517 - Regent
2690438 - Regent	2690470 - 2522	2690495 - Regent	
2690439 - Regent	2690471 - 2520	2690496 - Regent	
2690466 - 524	2690472 - 2518	2690499 - 518	
2690467 - 522	2690492 - Regent	2690515 - Regent	

Electrical Group

986851

NOTE: Unless noted otherwise, use the standard hardware torque specification chart.



The above parts group applies to the following Mfg. Nos.:

2690436 - Regent	2690468 - 520	2690493 - Regent	2690516 - Regent
2690437 - Regent	2690469 - 2524	2690494 - 2518	2690517 - Regent
2690438 - Regent	2690470 - 2522	2690495 - Regent	
2690439 - Regent	2690471 - 2520	2690496 - Regent	
2690466 - 524	2690472 - 2518	2690499 - 518	
2690467 - 522	2690492 - Regent	2690515 - Regent	

Electrical Group

REF NO	PART NO.	QTY.	DESCRIPTION
44	2816622	2	NUT, Hex, Full, 1/4-20
45	2816964	2	LOCKWASHER, 1/4
46	2821319	2	WASHER, 1/4 I.D.
47	1713163	1	CABLE, Battery to Ground
48	2823341	2	CAPSCREW, Hex Head, 1/4-20 x 3/4
49	1731957	1	FUSE, Wiring Harness
50	1726556	1	NO-MOW MODULE
51	1727185	1	KEY, w/Hang Tag for RMO Module
52	1722887	1	SWITCH, PTO, Push/Pull Symbols

Footnotes

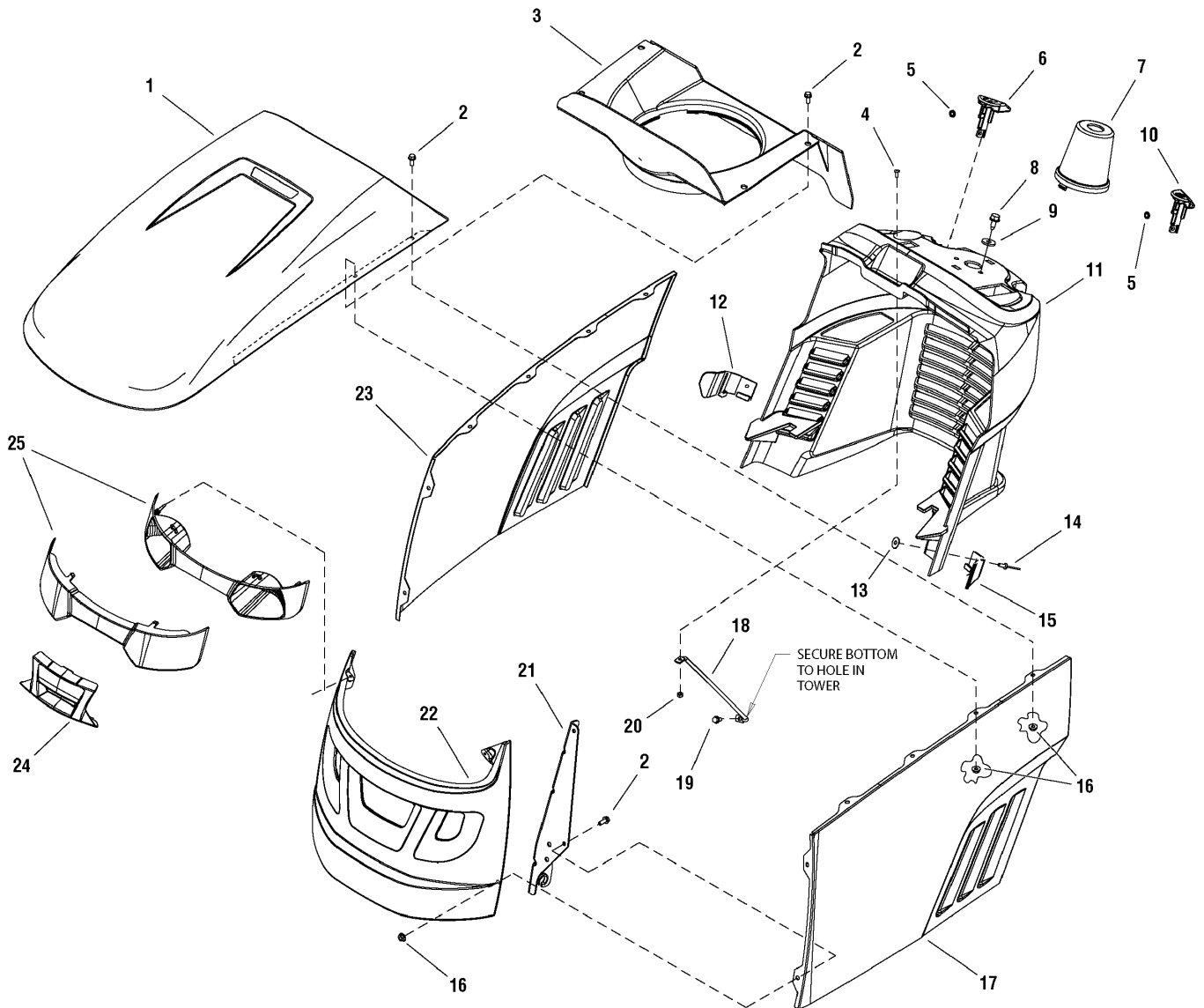
The above parts group applies to the following Mfg. Nos.:

2690436 - Regent	2690468 - 520	2690493 - Regent	2690516 - Regent
2690437 - Regent	2690469 - 2524	2690494 - 2518	2690517 - Regent
2690438 - Regent	2690470 - 2522	2690495 - Regent	
2690439 - Regent	2690471 - 2520	2690496 - Regent	
2690466 - 524	2690472 - 2518	2690499 - 518	
2690467 - 522	2690492 - Regent	2690515 - Regent	

Hood, Grille & Dash Group

986844

NOTE: Unless noted otherwise,
use the standard hardware torque
specification chart.



The above parts group applies to the following Mfg. Nos.:

2690436 - Regent	2690468 - 520	2690493 - Regent	2690516 - Regent
2690437 - Regent	2690469 - 2524	2690494 - 2518	2690517 - Regent
2690438 - Regent	2690470 - 2522	2690495 - Regent	
2690439 - Regent	2690471 - 2520	2690496 - Regent	
2690466 - 524	2690472 - 2518	2690499 - 518	
2690467 - 522	2690492 - Regent	2690515 - Regent	

Hood, Grille & Dash Group

REF NO	PART NO.	QTY.	DESCRIPTION
1	1722110D	1	HOOD, with Louver, (Red)
1	1722110C	1	HOOD, with Louver, (Orange)
2	1960295	12	CAPSCREW, Whizlock, 1/4-20 x 5/8
3	1731891	1	DUCT, Air Inlet Plastic
4	1723123	1	ROD, Dash Support
5	1960518	2	NUT, Push Pal
6	1728090	1	KNOB, Cruise Lock Green Plastic
7	1727999	1	COVER, Steering Shaft Plastic
8	1664847	2	CAPSCREW, Hex Head, Taptite, 5/16-18 x 3/4
9	1919381	2	WASHER, Plain, 5/16
10	1728089	1	KNOB, Brake Lock Plastic
11	1727293	1	DASHBOARD
12	1732031	1	GUIDE, Hood RH
13	1960096	2	WASHER
14	1928707	2	RIVET, Pop, Stem Black
15	1732030	1	GUIDE, Hood LH
16	1930641	12	NUT, Hex Flange Whiz, 1/4-20
17	1728030D	1	PANEL, Hood LH Side (Red)
17	1728030C	1	PANEL, Hood LH Side (Orange)
18	1933896	1	NUT, Hex, Nylon, Lock, #10-24
19	1925003	1	SCREW, Self-Tap
20	1728975	1	INSERT, Lightbar
21	1727280A	1	HINGE, Hood RH
21	1727279A	1	HINGE, Hood LH
22	1727297D	1	GRILLE
22	1727297C	1	GRILLE, Orange
23	1728029D	1	PANEL, Hood RH Side (Red)
23	1728029C	1	PANEL, Hood RH Side (Orange)
24	1960392	1	SCREW, Pan Head #10-24 x 1/2
25	1727296	1	HEADLIGHT ASSEMBLY

Footnotes

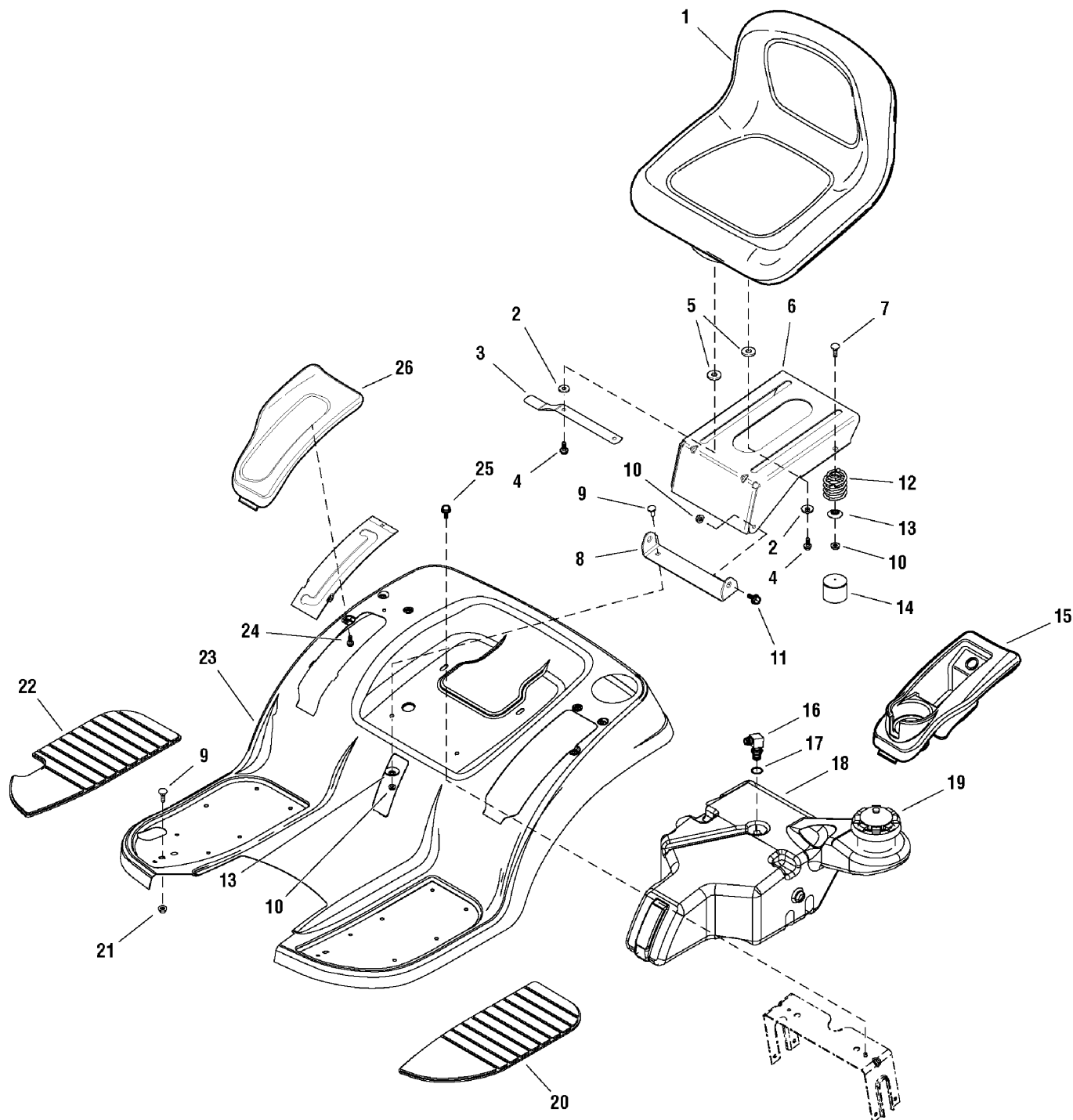
The above parts group applies to the following Mfg. Nos.:

2690436 - Regent	2690468 - 520	2690493 - Regent	2690516 - Regent
2690437 - Regent	2690469 - 2524	2690494 - 2518	2690517 - Regent
2690438 - Regent	2690470 - 2522	2690495 - Regent	
2690439 - Regent	2690471 - 2520	2690496 - Regent	
2690466 - 524	2690472 - 2518	2690499 - 518	
2690467 - 522	2690492 - Regent	2690515 - Regent	

Seat Deck & Fuel Tank Group

987074

NOTE: Unless noted otherwise,
use the standard hardware torque
specification chart.



The above parts group applies to the following Mfg. Nos.:

2690436 - Regent	2690468 - 520	2690493 - Regent	2690516 - Regent
2690437 - Regent	2690469 - 2524	2690494 - 2518	2690517 - Regent
2690438 - Regent	2690470 - 2522	2690495 - Regent	
2690439 - Regent	2690471 - 2520	2690496 - Regent	
2690466 - 524	2690472 - 2518	2690499 - 518	
2690467 - 522	2690492 - Regent	2690515 - Regent	

Seat Deck & Fuel Tank Group

REF NO	PART NO.	QTY.	DESCRIPTION
1	1730159	1	SEAT, Hi Back, Steel Pan
2	1919381	4	WASHER, Plain, 5/16
3	1727268	1	LATCH, Seat 20GA E-Coat
4	1960667	4	CAPSCREW, Hex Head Flange Dog Point, 5/16-18 x 1
5	1731300	4	SPACER, 0.32 ID x 1-1/2 OD x 3/10 THK Powdered Metal Yellow
6	1727265A	1	SUPPORT, Seat 12GA
7	1960282	2	CARRIAGE BOLT, 5/16-18 x 3/4
8	1727266A	1	PIVOT, Seat 10GA
9	1931333	4	BOLT, Carriage, 5/16-18 x 3/4
10	1960686	4	NUT, Hex Flange, 5/16-18 ESNA
11	1729576	2	BOLT, Shoulder 5/16-18 G5
12	1704728	2	SPRING, Compression
13	1709256	4	WASHER, Spring Black
14	1704724	2	COVER, Spring
15	1729001	1	POD, LH Cup Holder
16	1674231	1	ELBOW FITTING
17	1654930	1	BUSHING
18	1727305	1	TANK, Fuel
19	1715917	1	CAP, Gas
20	1728006	1	PAD, Footrest LH
21	1931277	4	NUT, Hex, Flange Whizlock, 5/16-18
22	1728007	1	PAD, Footrest RH
23	1727264C	1	DECK, Seat w/Footrests (Orange)
23	1727264D	1	DECK, Seat w/Footrests (Red)
24	1960536	6	SCREW, Hex, Washer Head, Plastite, 1/4-20 x 1/2
25	1930601	2	SCREW, Taptite, 5/16-18 x 5/8
26	1729000	1	POD, RH Lift Quadrant

Footnotes

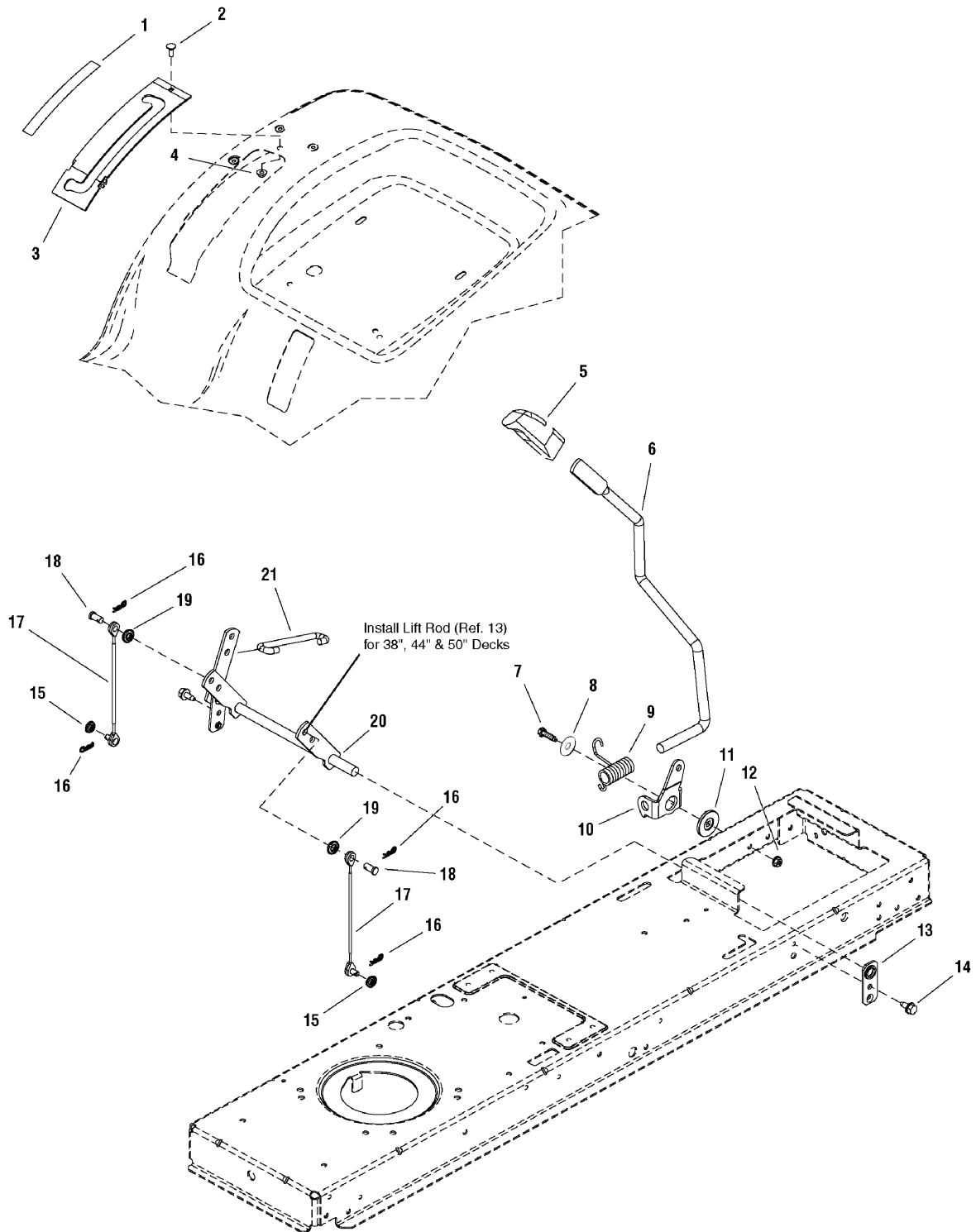
The above parts group applies to the following Mfg. Nos.:

2690436 - Regent	2690468 - 520	2690493 - Regent	2690516 - Regent
2690437 - Regent	2690469 - 2524	2690494 - 2518	2690517 - Regent
2690438 - Regent	2690470 - 2522	2690495 - Regent	
2690439 - Regent	2690471 - 2520	2690496 - Regent	
2690466 - 524	2690472 - 2518	2690499 - 518	
2690467 - 522	2690492 - Regent	2690515 - Regent	

Lift Group - Manual

986849

NOTE: Unless noted otherwise, use the standard hardware torque specification chart.



The above parts group applies to the following Mfg. Nos.:

2690436 - Regent	2690468 - 520	2690493 - Regent	2690516 - Regent
2690437 - Regent	2690469 - 2524	2690494 - 2518	2690517 - Regent
2690438 - Regent	2690470 - 2522	2690495 - Regent	
2690439 - Regent	2690471 - 2520	2690496 - Regent	
2690466 - 524	2690472 - 2518	2690499 - 518	
2690467 - 522	2690492 - Regent	2690515 - Regent	

Lift Group - Manual

REF NO	PART NO.	QTY.	DESCRIPTION
1	1730263	1	DECAL, Mower Transport Lift
2	1960252	1	CARRIAGE BOLT, 1/4-20 x 5/8 G5
3	1729583A	1	QUADRANT, Lift 12GA
4	1930641	1	NUT, Hex Flange Whiz, 1/4-20
5	1722302	1	GRIP
6	1728070	1	ROD, Lift Handle E-Coat, 17.7 LG
7	1921333	1	CAPSCREW, Hex Head, 5/16-18 x 1
8	1960044	1	WASHER, Plain, 21/64 x 1-1/4
9	1729652	1	SPRING, Torsion, 2.12 LG Black
10	1728990A	1	CLEVIS, Lift 7GA
11	1727935	1	SPACER, Pivot 0.330ID 1.76OD .37TH Powdered Metal
12	1931277	1	NUT, Hex, Flange Whizlock, 5/16-18
13	1727911A	1	PLATE, Bearing
14	1930601	2	SCREW, Taptite, 5/16-18 x 5/8
15	1919326	2	WASHER, Flat, 5/16 (Quantity 1 used with 38" Mower Deck)
16	1960074	4	CLIP, Spring (Quantity 2 used with 38" Mower Deck)
17	1732009	2	CABLE, Lift Ring Terminals (Quantity 1 used with 38" Mower Deck)
18	1732049	2	PIN, Clevis (Quantity 1 used with 38" Mower Deck)
19	1924940	2	WASHER, 3/8 (Quantity 1 used with 38" Mower Deck)
20	1727951A	1	SHAFT ASSEMBLY, Lift
21	1727954	1	ROD, Lift, 5.43 LG

Footnotes

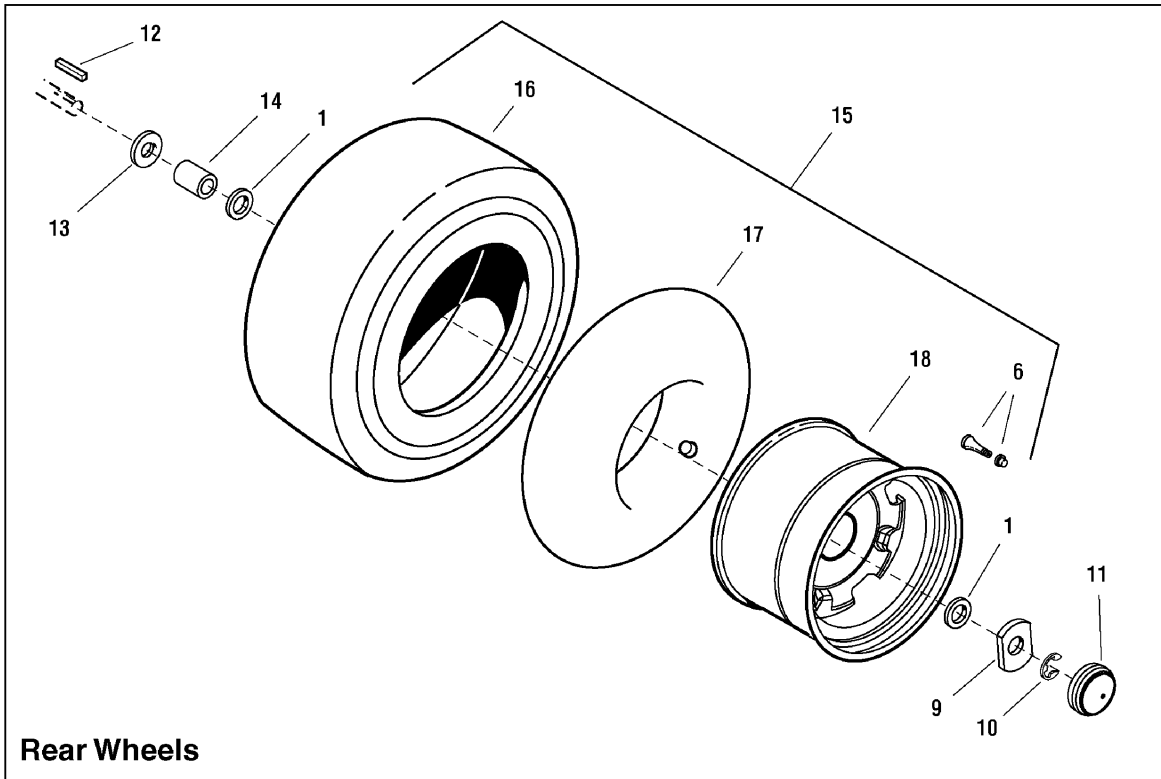
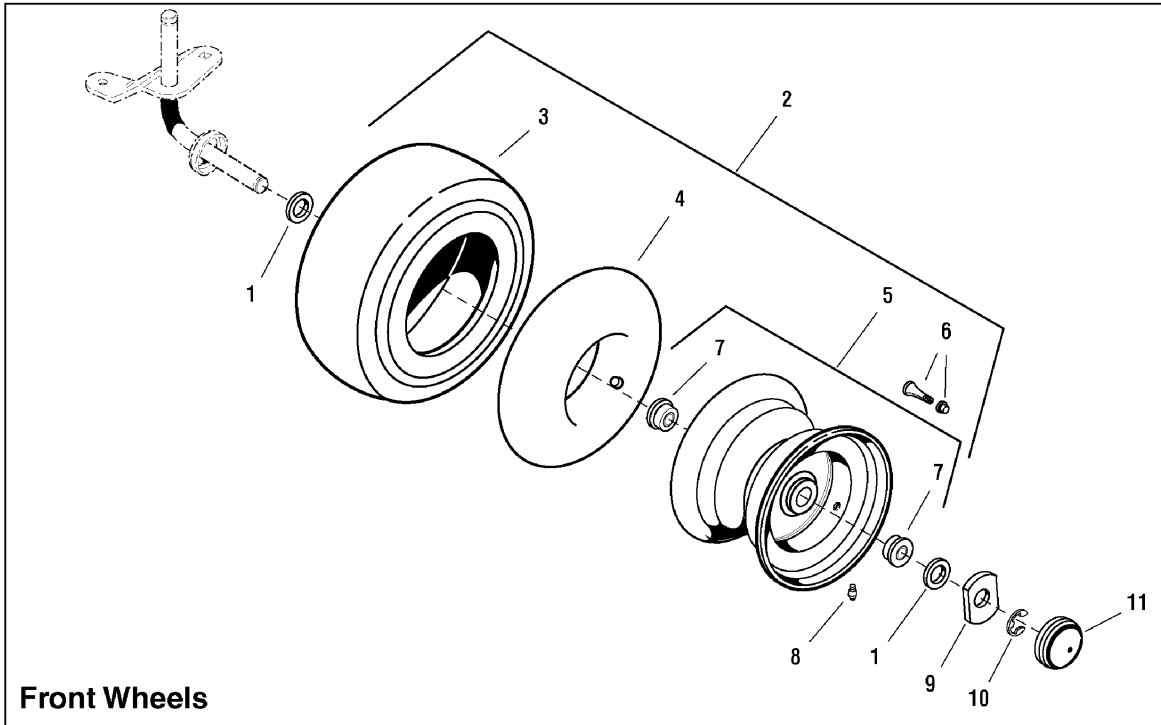
The above parts group applies to the following Mfg. Nos.:

2690436 - Regent	2690468 - 520	2690493 - Regent	2690516 - Regent
2690437 - Regent	2690469 - 2524	2690494 - 2518	2690517 - Regent
2690438 - Regent	2690470 - 2522	2690495 - Regent	
2690439 - Regent	2690471 - 2520	2690496 - Regent	
2690466 - 524	2690472 - 2518	2690499 - 518	
2690467 - 522	2690492 - Regent	2690515 - Regent	

Wheels & Tires Group

W986848

NOTE: Unless noted otherwise, use the standard hardware torque specification chart.



The above parts group applies to the following Mfg. Nos.:

2690436 - Regent	2690468 - 520	2690493 - Regent	2690516 - Regent
2690437 - Regent	2690469 - 2524	2690494 - 2518	2690517 - Regent
2690438 - Regent	2690470 - 2522	2690495 - Regent	
2690439 - Regent	2690471 - 2520	2690496 - Regent	
2690466 - 524	2690472 - 2518	2690499 - 518	
2690467 - 522	2690492 - Regent	2690515 - Regent	

Wheels & Tires Group

REF NO	PART NO.	QTY.	DESCRIPTION
1	1960160	8	WASHER, 3/4
2	1729708	2	WHEEL & TIRE ASSEMBLY, Front
3	1731951	1	TIRE, Turf 15 X 6.00 - 6 Saver TL
4	1664090	1	TUBE, Tire, Front
5	1726301	1	WHEEL & BUSHINGS ASSEMBLY, Front
6	2172353	2	VALVE STEM & CAP
7	1713167	4	BEARING
8	2812808	1	FITTING, Grease, 1/4-28 Thread
9	1722717	4	WASHER, Special Yellow
10	2827794	4	RING, Retaining
11	1722676	4	CAP, Hub
12	1713409	2	KEY, 3/16 x 3/16 x 3
13	2860202	2	WASHER
14	1730181	2	SPACER, 0.77 ID x 1-1/4 OD x 1.65 LG Powdered Metal Black
15	1729709	2	WHEEL & TIRE ASSEMBLY, Rear 20"
15	1729710	2	WHEEL & TIRE ASSEMBLY, Rear 22"
16	1731952	1	TIRE, Turf 22 X 8.00 - 8 Saver TL
16	1731953	1	TIRE, Turf 22 X 10.00 - 8 Saver TL
17	2164247	1	TUBE, Tire, Rear, 22 X 8 - 8
17	2173477	1	TUBE, Tire, Rear, 22 X 10 - 8
18	1731954	1	WHEEL, Hub

Footnotes

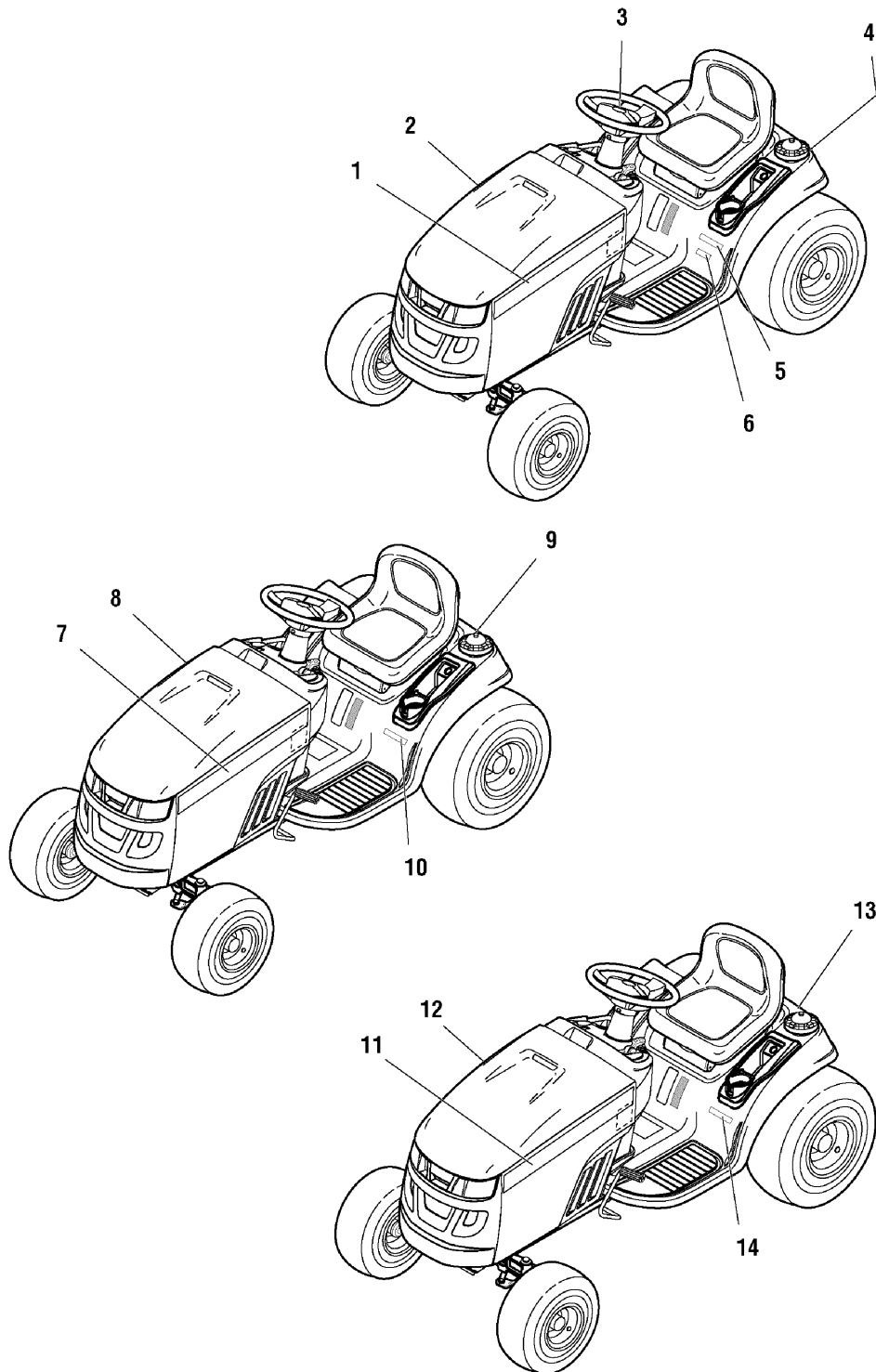
The above parts group applies to the following Mfg. Nos.:

2690436 - Regent	2690468 - 520	2690493 - Regent	2690516 - Regent
2690437 - Regent	2690469 - 2524	2690494 - 2518	2690517 - Regent
2690438 - Regent	2690470 - 2522	2690495 - Regent	
2690439 - Regent	2690471 - 2520	2690496 - Regent	
2690466 - 524	2690472 - 2518	2690499 - 518	
2690467 - 522	2690492 - Regent	2690515 - Regent	

Decals Group - Brand & Model

NOTE: Unless noted otherwise,
use the standard hardware torque
specification chart.

B986848



The above parts group applies to the following Mfg. Nos.:

2690436 - Regent	2690468 - 520	2690493 - Regent	2690516 - Regent
2690437 - Regent	2690469 - 2524	2690494 - 2518	2690517 - Regent
2690438 - Regent	2690470 - 2522	2690495 - Regent	
2690439 - Regent	2690471 - 2520	2690496 - Regent	
2690466 - 524	2690472 - 2518	2690499 - 518	
2690467 - 522	2690492 - Regent	2690515 - Regent	

Decals Group - Brand & Model

REF NO	PART NO.	QTY.	DESCRIPTION
1	1731390	1	DECAL, Simplicity, LH Stripe
2	1731391	1	DECAL, Simplicity, RH Stripe
3	1731418	1	DECAL, SMI Steering Wheel Icon Orange
4	1722551	1	DECAL, Simplicity
5	1722772	1	DECAL, Regent, Silver & Blue
6	1722779	1	DECAL, 18HP, Silver/Clear
6	1731925	1	DECAL, 18.5HP, Silver/Clear
6	1722780	1	DECAL, 20HP, Silver/Clear
6	1726944	1	DECAL, 22HP, Silver/Clear
6	1731926	1	DECAL, 24HP, Silver/Clear
7	1731396	1	DECAL, AGCO, LH Hood Stripe
8	1731397	1	DECAL, AGCO, RH Hood Stripe
9	1708926	1	DECAL, AGCO Logo
10	1731961	1	DECAL, 518 White/Clear
10	1731962	1	DECAL, 520 White/Clear
10	1731963	1	DECAL, 522 White/Clear
10	1731964	1	DECAL, 524 White/Clear
11	1731394	1	DECAL, Massey, LH Hood Stripe
12	1731395	1	DECAL, Massey, RH Hood Stripe
13	1714363	1	DECAL, Massey Ferguson
14	1728053	1	DECAL, 2518, Gray/Clear
14	1731958	1	DECAL, 2520, Gray/Clear
14	1731959	1	DECAL, 2522, Gray/Clear
14	1731960	1	DECAL, 2524, Gray/Clear

Footnotes

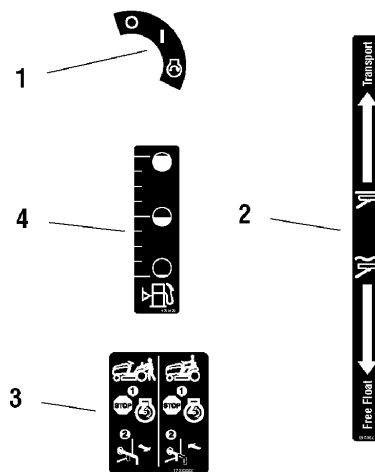
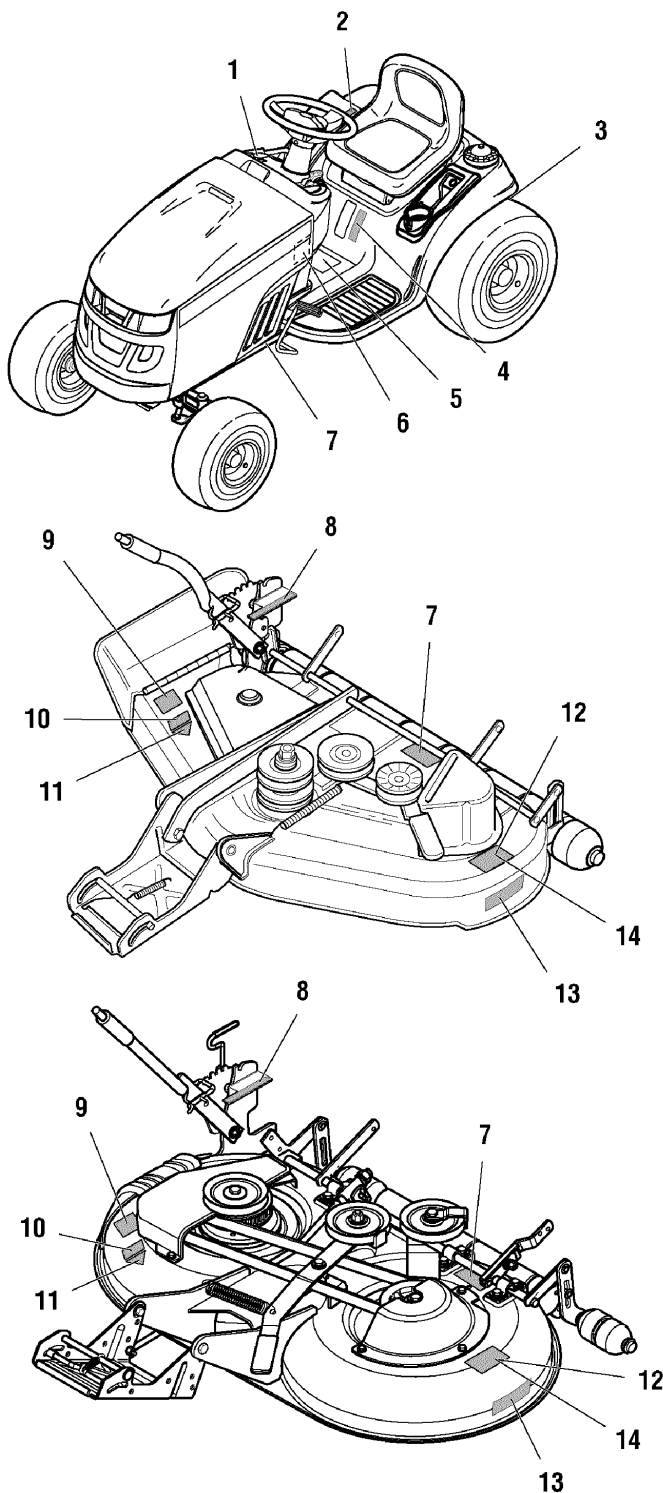
The above parts group applies to the following Mfg. Nos.:

2690436 - Regent	2690468 - 520	2690493 - Regent	2690516 - Regent
2690437 - Regent	2690469 - 2524	2690494 - 2518	2690517 - Regent
2690438 - Regent	2690470 - 2522	2690495 - Regent	
2690439 - Regent	2690471 - 2520	2690496 - Regent	
2690466 - 524	2690472 - 2518	2690499 - 518	
2690467 - 522	2690492 - Regent	2690515 - Regent	

Decals Group - Safety & Common Group

NOTE: Unless noted otherwise, use the standard hardware torque specification chart.

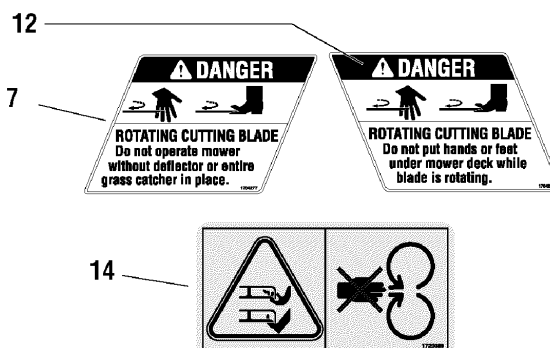
C986848



XXXXX TRACTORS
SERVICING & TORQUE VALUES

Component	XXXXX	XXXXX
Engine Oil	XXXXX	XXXXX
Drive Shaft	XXXXX	XXXXX
Front Wheel	XXXXX	XXXXX
Front Wheel - Left	XXXXX	XXXXX
Front Wheel - Right	XXXXX	XXXXX
Front Drive Shaft	XXXXX	XXXXX
Drive Shaft	XXXXX	XXXXX
Drive Shaft	XXXXX	XXXXX
1st L.H. Gear/Reverse Drive Shaft	XXXXX	XXXXX

See safety and reliability notes on page 16. Operating instructions, see work manual, and user manual for full details of each.



The above parts group applies to the following Mfg. Nos.:

- | | | | |
|------------------|------------------|------------------|------------------|
| 2690436 - Regent | 2690468 - 520 | 2690493 - Regent | 2690516 - Regent |
| 2690437 - Regent | 2690469 - 2524 | 2690494 - 2518 | 2690517 - Regent |
| 2690438 - Regent | 2690470 - 2522 | 2690495 - Regent | |
| 2690439 - Regent | 2690471 - 2520 | 2690496 - Regent | |
| 2690466 - 524 | 2690472 - 2518 | 2690499 - 518 | |
| 2690467 - 522 | 2690492 - Regent | 2690515 - Regent | |

Decals Group - Safety & Common Group

REF NO	PART NO.	QTY.	DESCRIPTION
1	1722806	1	DECAL, Ignition Switch Symbol, White/Black
2	1720363	1	DECAL, Transport/Free Float
3	1730202	1	DECAL, Transmission Tow/ Release Lever
4	1730172	1	DECAL, Fuel Level
5	1723175	1	DECAL, Safety Instructions (CE)
5	1730170	1	DECAL, Tunnel
6	1730171	1	DECAL, Belts, Blades
7	*	1	DECAL, ID Plate
8	1721197	1	DECAL, Mower Height
9	1704277	1	DECAL, Danger, Chute in Place
10	1722787	1	DECAL, 38"
10	1722789	1	DECAL, 44"
10	1722790	1	DECAL, 50"
11	*	1	DECAL, OPEI
12	1704276	1	DECAL, Danger, Hand Under Deck
13	1722771	1	DECAL, Free Floating Mower
14	1720389	2	DECAL, Danger, Rotating Blades (CE)
15	*	1	DECAL, Patient

Footnotes

Note* Not a serviceable part.

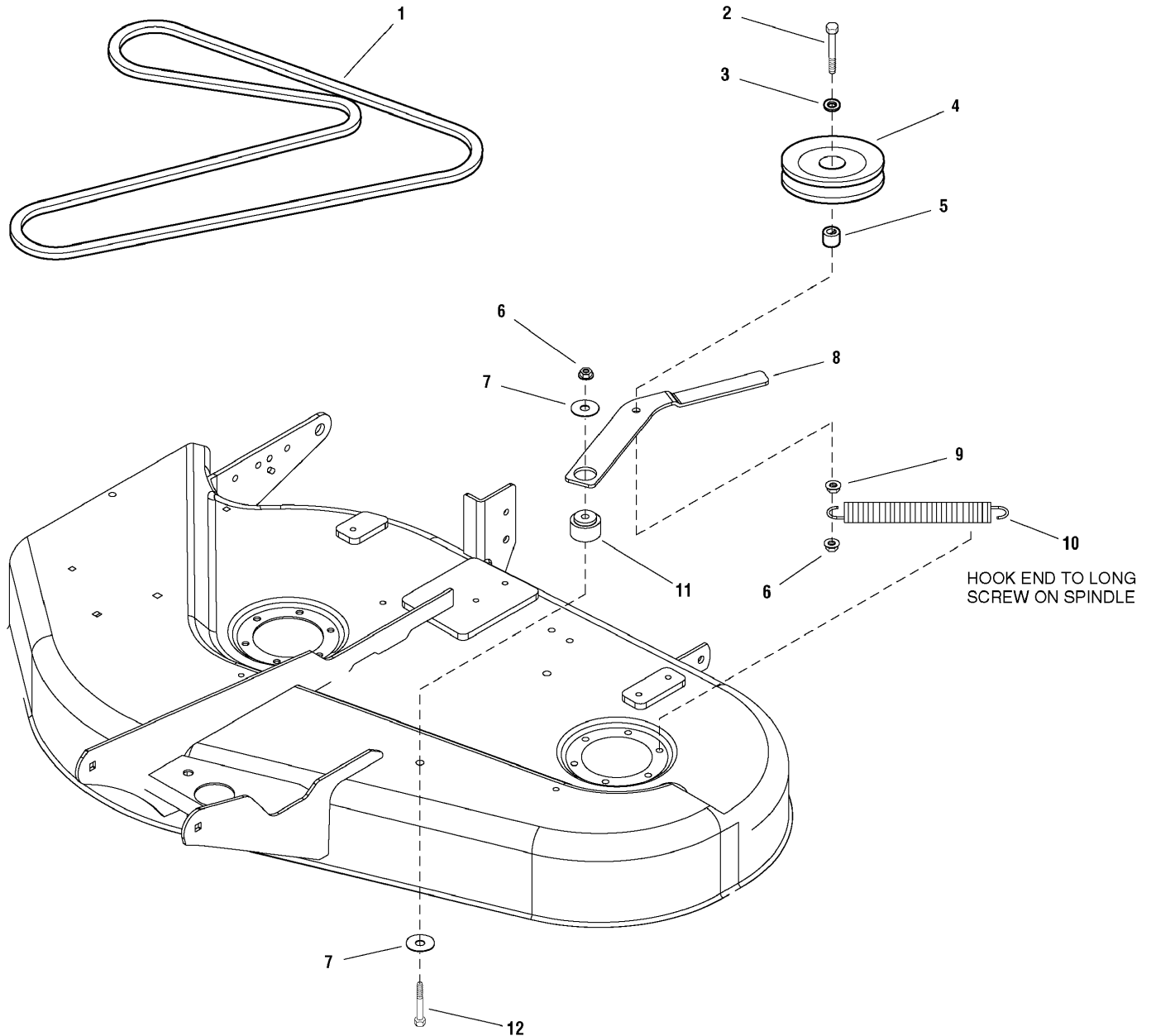
The above parts group applies to the following Mfg. Nos.:

2690436 - Regent	2690468 - 520	2690493 - Regent	2690516 - Regent
2690437 - Regent	2690469 - 2524	2690494 - 2518	2690517 - Regent
2690438 - Regent	2690470 - 2522	2690495 - Regent	
2690439 - Regent	2690471 - 2520	2690496 - Regent	
2690466 - 524	2690472 - 2518	2690499 - 518	
2690467 - 522	2690492 - Regent	2690515 - Regent	

38" Mower Deck - Belt, Idler Arm & Hitch Group

987078

NOTE: Unless noted otherwise,
use the standard hardware torque
specification chart.



The above parts group applies to the following Mfg. Nos.:

1694885 - 38" Mower	2690471 - 2520
1694936 - 38" Mower	2690472 - 2518
1694974 - 38" Mower	2690492 - Regent
2690436 - Regent	2690499 - 518
2690437 - Regent	
2690468 - 520	

38" Mower Deck - Belt, Idler Arm & Hitch Group

REF NO	PART NO.	QTY.	DESCRIPTION
1	1723025	1	V-BELT
1	1732205	1	V-BELT, (CE)
2	1921972	1	CAPSCREW, Hex Head, 3/8-16 x 2-1/2
3	1924940	1	WASHER, 3/8
4	2171247	1	PULLEY ASSEMBLY
5	1667812	1	SPACER
6	1930645	2	NUT, Hex, Flange, Locking, 3/8-16
7	1924356	2	WASHER, Plain, 13/32 x 1-1/2 x 1/8
8	1731893A	1	ARM, Idler 7GA
9	1931211	1	NUT, Whizlock, 3/8-16
10	1715435	1	SPRING, Extension, Idler Arm
11	1729007	1	SPACER, 0.387 ID x 1-1/2 OD x 1.04 LG Powdered Metal
12	1923701	1	CAPSCREW, Hex Head, 3/8-16 x 2

Footnotes

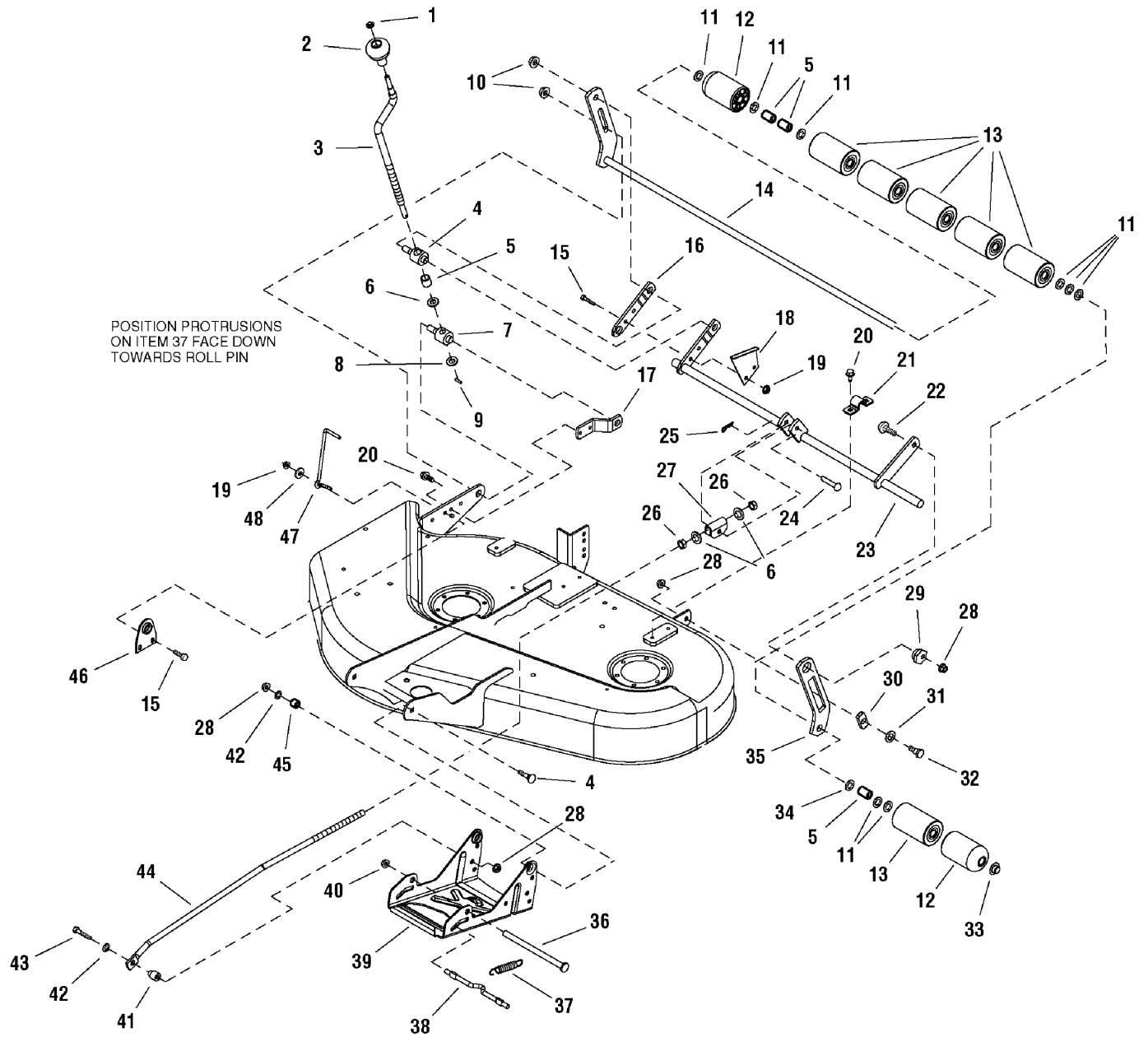
The above parts group applies to the following Mfg. Nos.:

1694885 - 38" Mower 2690471 - 2520
1694936 - 38" Mower 2690472 - 2518
1694974 - 38" Mower 2690492 - Regent
2690436 - Regent 2690499 - 518
2690437 - Regent
2690468 - 520

38" Mower Deck - Height Adjustment & Roller Bar Group

987081

NOTE: Unless noted otherwise,
use the standard hardware torque
specification chart.



The above parts group applies to the following Mfg. Nos.:

- 1694885 - 38" Mower
- 1694936 - 38" Mower
- 1694974 - 38" Mower
- 2690436 - Regent
- 2690437 - Regent
- 2690468 - 520
- 2690471 - 2520
- 2690472 - 2518
- 2690492 - Regent
- 2690499 - 518

38" Mower Deck - Height Adjustment & Roller Bar Group

REF NO	PART NO.	QTY.	DESCRIPTION
1	1960093	1	NUT, Push, 3/8
2	1714084	1	KNOB, Chute Control Spinner
3	1719901	1	CRANK, Height Adjustment, Black
4	1704087	1	TRUNNION, Threaded
5	1602946	6	SPACER
6	1960170	3	WASHER, 1/2
7	1704086	1	TRUNNION
8	1704097	1	WASHER, Detent
9	2816001	1	PIN, Spring
10	1930644	2	NUT, Hex Head, 1/2-13
11	1924366	8	WASHER, 5/8
12	1722036	2	ROLLER, Rounded End
13	1668513	6	ROLLER
14	1723305A	1	SHAFT & BAR ASSEMBLY, Roller 38" (CE)
14	1729757A	1	SHAFT & BAR ASSEMBLY, Roller 38"
15	1921977	4	CAPSCREW, Hex Head, 5/16-18 x 1-1/4
16	1726409A	1	ARM, Rear, Mower, RH
16	1704083A	1	ARM, Rear, Mower, RH (CE)
17	1704077A	1	STRAP, Trunnion Retainer
18	1704116A	1	BRACKET, Cutting Height
19	1931277	4	NUT, Hex, Flange Whizlock, 5/16-18
20	1664847	6	CAPSCREW, Hex Head, Taptite, 5/16-18 x 3/4
21	1665374	2	STRAP
22	1931352	3	CARRIAGE BOLT, 3/8-16 x 1-1/2
23	1732098A	1	SHAFT ASSEMBLY, Rocker 38" (CE)
23	1729756A	1	SHAFT ASSEMBLY, Rocker 38"
24	2118053	1	Pin
25	1960074	1	CLIP, Spring
26	1913744	2	LOCKNUT, Hex, Jam, 1/2-13
27	1704081A	1	TRUNNION
28	2860681	5	NUT, Hex Toplock Spiral Flange, 3/8-16
29	1704082	1	NUT, Adjuster
30	1677507	1	SLIDE
31	1924361	1	WASHER, Plain
32	2172622	1	SHOULDER BOLT
33	1960520	1	PUSH NUT, 5/8
34	1960020	1	WASHER, Plain, 5/8 (Early models only)
35	1731189A	1	BAR, Roller 38" Mower
35	1704073A	1	BAR, Roller 38" Mower (CE)
36	1713578	1	ROD
37	2156302	1	SPRING, Extension
38	1715759	1	ROD
39	1731406A	1	SUPPORT, 38" Mower 7 GA
40	1960519	1	NUT, Push, 1/2

Footnotes

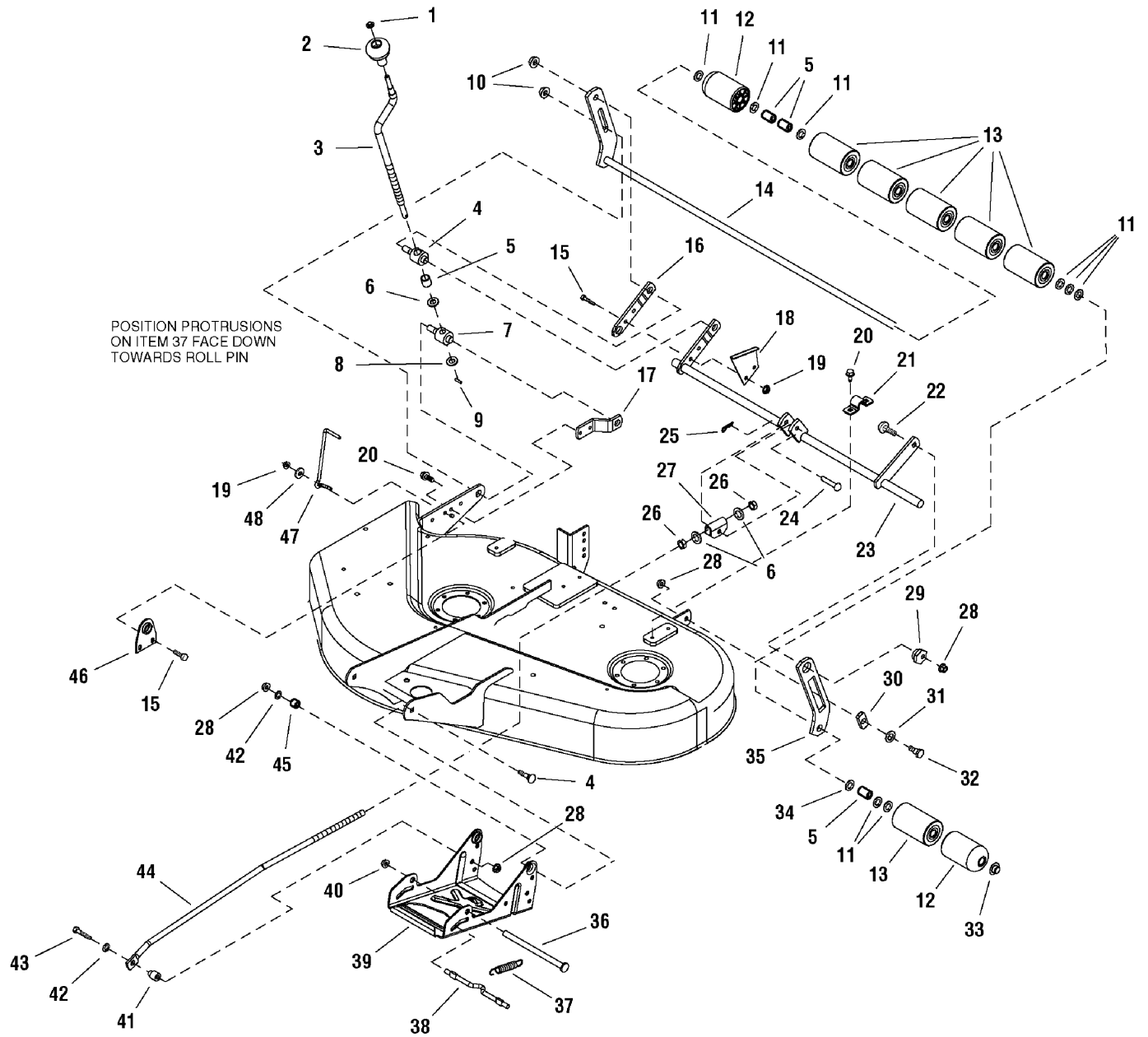
The above parts group applies to the following Mfg. Nos.:

1694885 - 38" Mower 2690471 - 2520
 1694936 - 38" Mower 2690472 - 2518
 1694974 - 38" Mower 2690492 - Regent
 2690436 - Regent 2690499 - 518
 2690437 - Regent
 2690468 - 520

38" Mower Deck - Height Adjustment & Roller Bar Group

987081

NOTE: Unless noted otherwise,
use the standard hardware torque
specification chart.



The above parts group applies to the following Mfg. Nos.:

- | | |
|---------------------|------------------|
| 1694885 - 38" Mower | 2690471 - 2520 |
| 1694936 - 38" Mower | 2690472 - 2518 |
| 1694974 - 38" Mower | 2690492 - Regent |
| 2690436 - Regent | 2690499 - 518 |
| 2690437 - Regent | |
| 2690468 - 520 | |

38" Mower Deck - Height Adjustment & Roller Bar Group

REF NO	PART NO.	QTY.	DESCRIPTION
41	1706644	1	SPACER, 3/8 x 3/4 x 15/16
42	1924940	3	WASHER, 3/8
43	1922606	1	CAPSCREW, Hex Head, 3/8-16 x 1 3/4
44	1729625	1	ROD, E-Coat, 1/2-13 x 5.3, 28.900LG
45	2172329	2	SPACER
46	1704115A	1	PLATE, Support
47	1704114	1	INDICATOR, Cutting Height
48	1919381	1	WASHER, Plain, 5/16

Footnotes

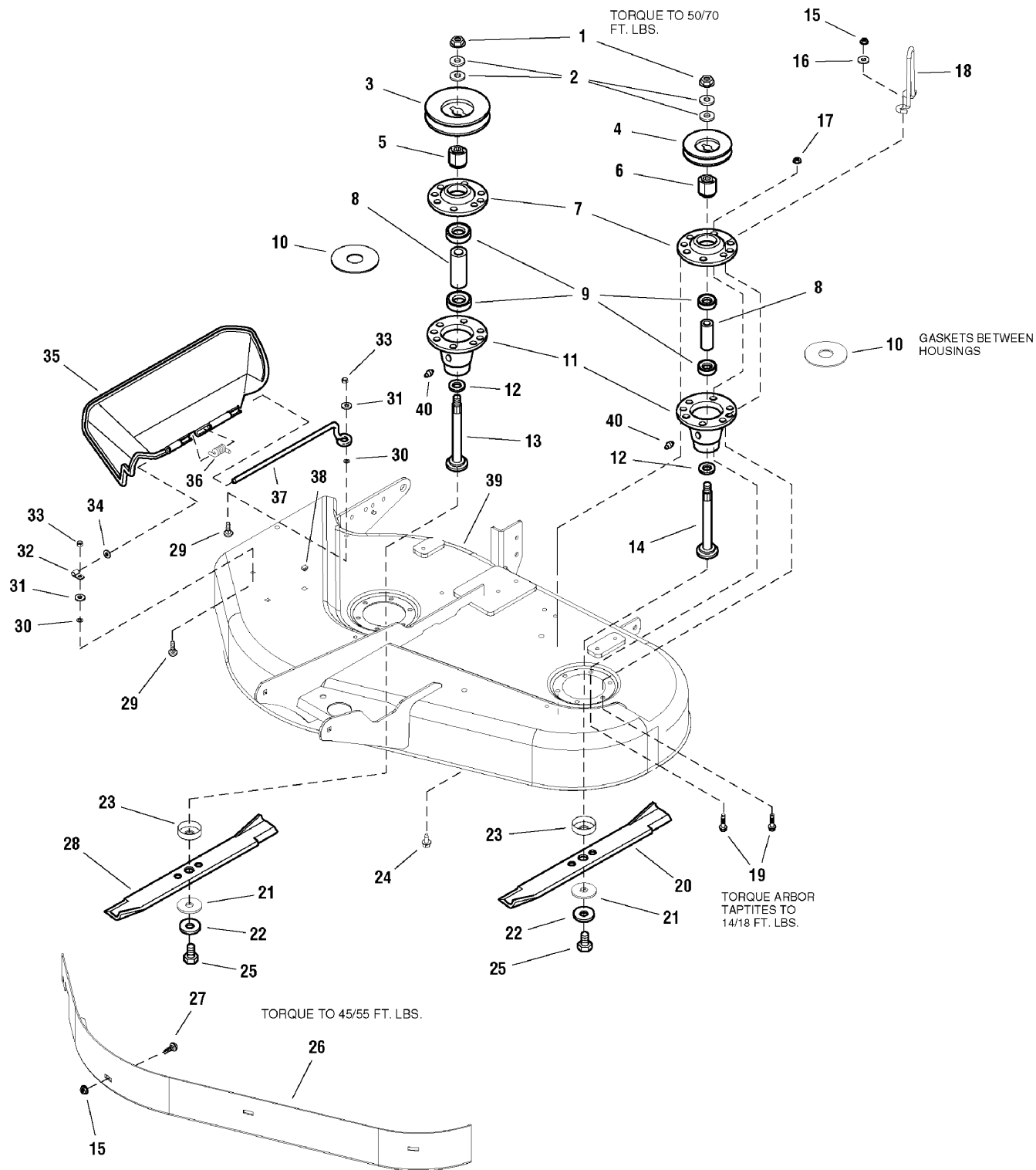
The above parts group applies to the following Mfg. Nos.:

1694885 - 38" Mower 2690471 - 2520
1694936 - 38" Mower 2690472 - 2518
1694974 - 38" Mower 2690492 - Regent
2690436 - Regent 2690499 - 518
2690437 - Regent
2690468 - 520

38" Mower Deck - Housing, Arbors & Blades Group

987075

NOTE: Unless noted otherwise,
use the standard hardware torque
specification chart.



The above parts group applies to the following Mfg. Nos.:

- | | |
|---------------------|------------------|
| 1694885 - 38" Mower | 2690471 - 2520 |
| 1694936 - 38" Mower | 2690472 - 2518 |
| 1694974 - 38" Mower | 2690492 - Regent |
| 2690436 - Regent | 2690499 - 518 |
| 2690437 - Regent | |
| 2690468 - 520 | |

38" Mower Deck - Housing, Arbors & Blades Group

REF NO	PART NO.	QTY.	DESCRIPTION
1	1714419	2	NUT, Hex, Flange, 9/16-8
2	1713675	4	WASHER, Belleville
3	1714346	1	PULLEY, RH, 5-1/4 OD
3	1732123	1	PULLEY, RH (CE)
4	1713160	1	PULLEY, LH
4	1713161	1	PULLEY, LH (CE)
5	1713613	1	HUB, Pulley, RH
6	1713614	1	HUB
7	1713199A	2	COVER, Arbor Housing
8	1713204	2	SPACER
9	1705897	4	BEARING
10	1707335	2	GASKET, Foam
11	1713338A	2	HOUSING ASSEMBLY, Arbor Bottom, w/Lube Fitting (Includes Ref. No. 40)
12	1713619	2	WASHER
13	1713609	1	SHAFT, Arbor, RH
14	1713610	1	SHAFT, Arbor
15	1931277	2	NUT, Hex, Flange Whizlock, 5/16-18 (Quantity 6 Used on CE Models)
15	1931277	6	NUT, Hex, Flange Whizlock, 5/16-18
16	1924940	2	WASHER, 3/8
17	1960686	1	NUT, Hex, Flange ESNA Lock, 5/16-18
18	1731415	1	UPSTOP
19	1931202	3	CAPSCREW, Taptite, 5/16-18 x 1-1/4
20	1704856	1	BLADE, 16-1/8
21	1713089	2	WASHER, Hex
22	1656916	2	WASHER, Spring
23	1713196	2	SHIELD, Grass, Lower
24	1664847	9	CAPSCREW, Hex Head, Taptite, 5/16-18 x 3/4
25	2823471	2	CAPSCREW, Hex Head, 7/16-14 x 1-1/4
26	1715817A	1	BAFFLE, Blowout 38" Mower
27	1931333	4	BOLT, Carriage, 5/16-18 x 3/4
28	1704101	1	BLADE, Mower 38"
29	1960698	2	CARRIAGE BOLT, 1/4-20 x 1, Black
30	1960518	2	NUT, Push On
31	1960353	2	WASHER, Plain, 1/4 (6 Total for Export)
32	1704873	1	CLAMP
33	1920397	2	NUT, Hex Lock, ESNA, 1/4-20
34	1919326	1	WASHER, Flat, 5/16
35	1705449	1	DEFLECTOR, Plastic
36	1723938	1	SPRING
37	1706709A	1	ROD, Deflector, Front
38	1705115	2	PLUG, Plastic
39	1729761D	1	HOUSING ASSEMBLY, 38" Mower (Red)
39	1729761C	1	HOUSING ASSEMBLY, 38" Mower (Orange)
40	1704314	2	LUBE FITTING, 1/4 Drive , Check Ball

Footnotes

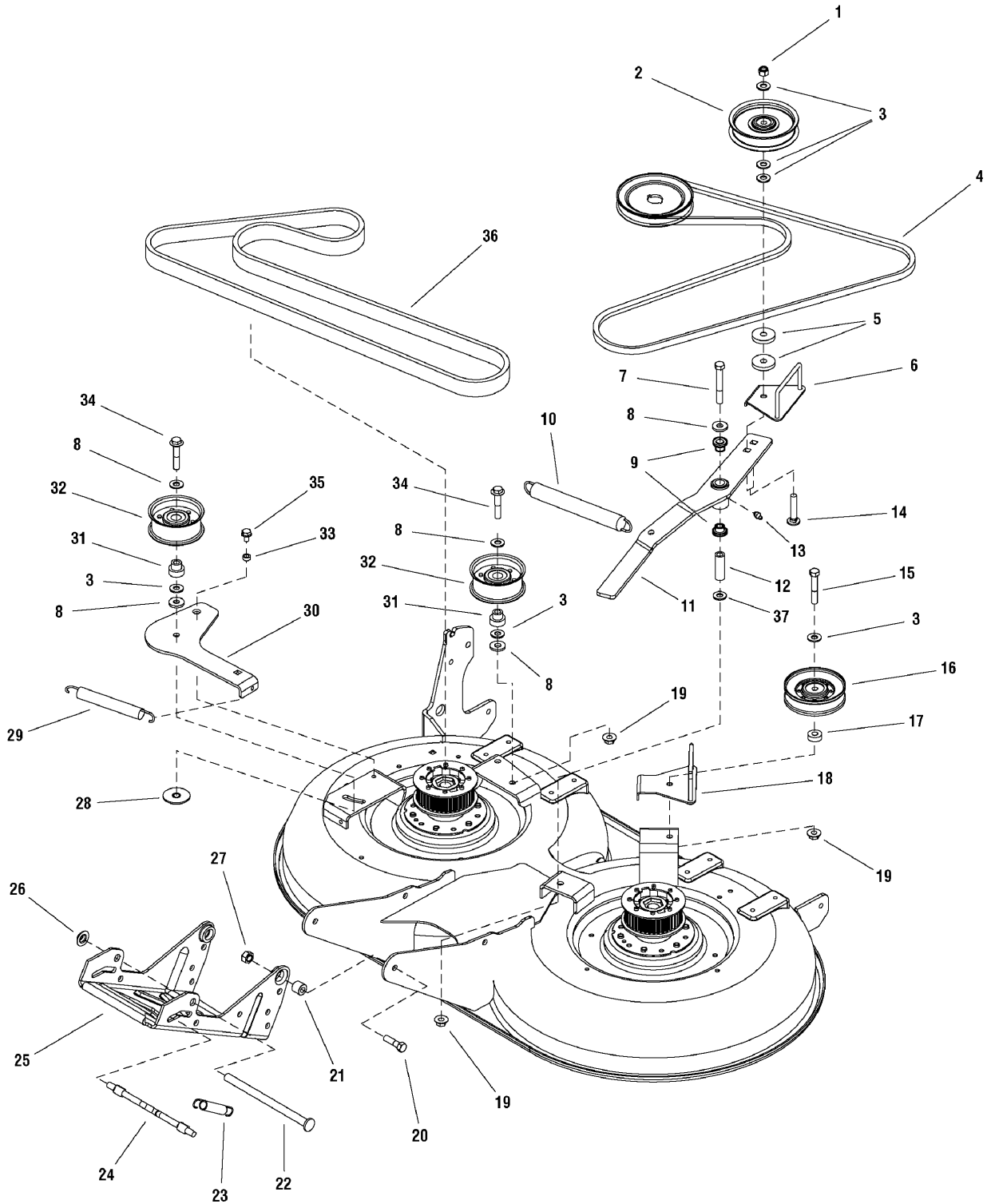
The above parts group applies to the following Mfg. Nos.:

1694885 - 38" Mower 2690471 - 2520
 1694936 - 38" Mower 2690472 - 2518
 1694974 - 38" Mower 2690492 - Regent
 2690436 - Regent 2690499 - 518
 2690437 - Regent
 2690468 - 520

40" Mower Deck - Belt, Idler Arm & Hitch Group

987297

NOTE: Unless noted otherwise,
use the standard hardware torque
specification chart.



The above parts group applies to the following Mfg. Nos.:

1694976 - 40" Mower

2690495 - Regent

40" Mower Deck - Belt, Idler Arm & Hitch Group

REF NO	PART NO.	QTY.	DESCRIPTION
1	1919439	1	NUT, Hex Lock, ESNA, 3/8-16
2	1725408	1	PULLEY, Idler
3	1924940	6	WASHER, 3/8
4	1721532	1	V-BELT, PTO, Front
5	1960534	2	WASHER
6	1722175A	1	BELT GUIDE
7	1960614	1	CAPSCREW, Hex Head, 3/8-16 x 3 G8
8	1922755	5	WASHER, 3/8
9	1663114	2	BUSHING
10	1715435	1	SPRING, Extension, Idler Arm
11	1724835	1	ARM ASSEMBLY, with Bushing & Fitting, 38 Tooth (Includes Ref. Nos. 26 & 37)
12	1657242	1	SPACER, Hardened
13	2812808	1	FITTING, Grease, 1/4-28 Thread
14	1931355	1	CARRIAGE BOLT, 3/8-16 x 2-1/4
15	1922130	1	CAPSCREW, Hex Head, 3/8-16 x 2-1/4
16	1723952	1	PULLEY
17	1667812	1	SPACER
18	1722182A	1	BELT GUIDE
19	1928352	3	NUT, Hex, Flange, Whizlock, 5/16-18 x 1/2
20	1921968	2	CAPSCREW, Hex Head, 3/8-16 x 1-3/8
21	2172329	2	SPACER
22	1713578	1	ROD
23	2156302	1	SPRING, Extension
24	1715759	1	ROD
25	1720044A	1	HITCH, Mower
26	1960519	1	NUT, Push, 1/2
27	2860681	2	NUT, Hex Toplock Spiral Flange, 3/8-16
28	1721425	1	WASHER & NUT ASSEMBLY, 3/8 x 1-1/2
29	1674671	1	SPRING, Extension
30	1726387A	1	ARM, Idler
31	1719221	2	HUB
32	1731892	2	PULLEY, Idler
33	1666697	1	SPACER
34	1960746	2	SCREW, Hex Head, Flange 3/8-16 x 2
35	1930601	1	SCREW, Taptite, 5/16-18 x 5/8
36	1724625	1	BELT, Timing, 38" Tooth
37	1933263	1	WASHER, 3/8

Footnotes

The above parts group applies to the following Mfg. Nos.:

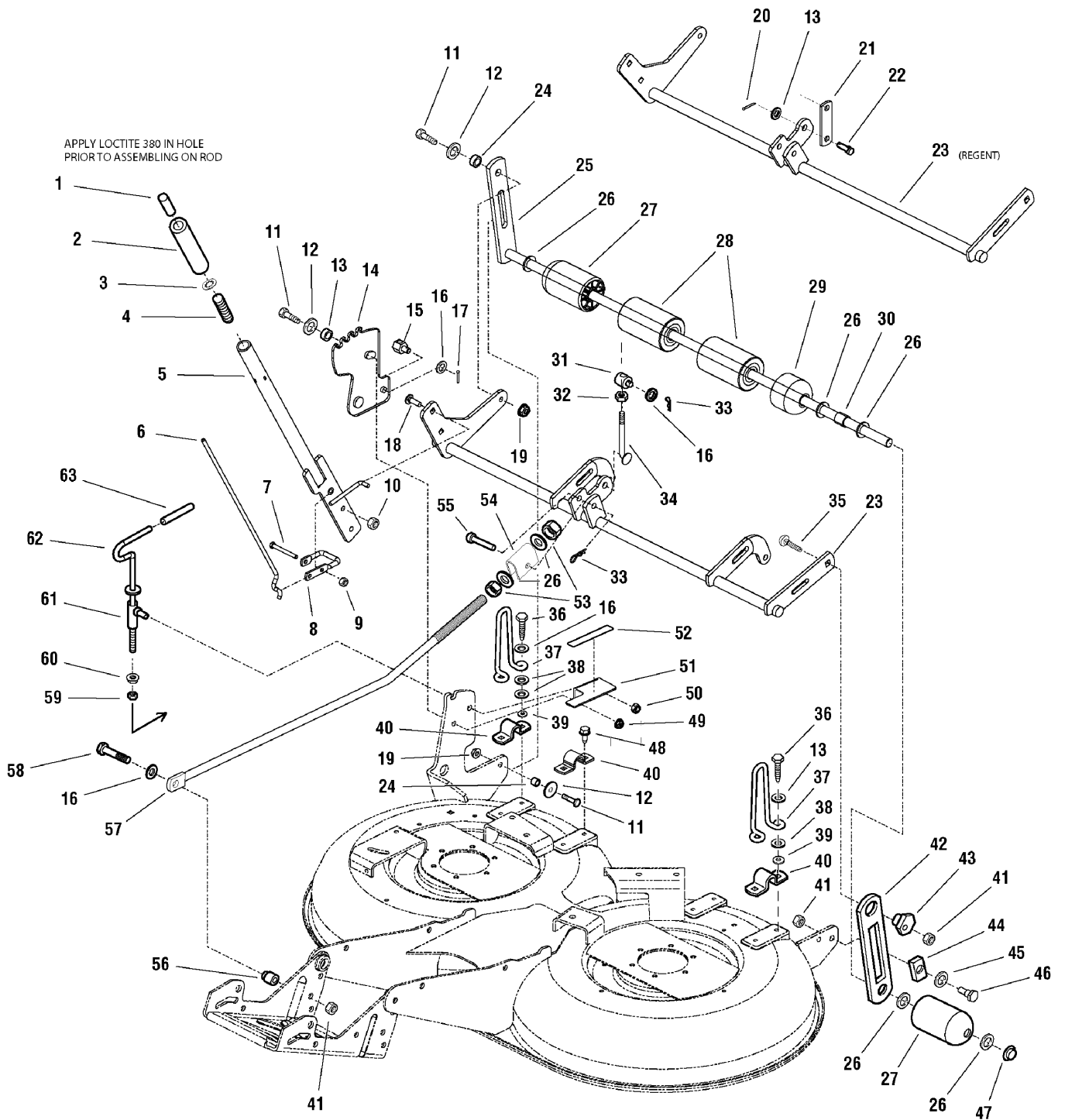
1694976 - 40" Mower

2690495 - Regent

40" Mower Deck - Height Adjustment & Roller Bar Group

987287

NOTE: Unless noted otherwise,
use the standard hardware torque
specification chart.



The above parts group applies to the following Mfg. Nos.:

1694976 - 40" Mower

2690495 - Regent

40" Mower Deck - Height Adjustment & Roller Bar Group

REF NO	PART NO.	QTY.	DESCRIPTION
1	1723124	1	BUTTON
2	1713995	1	GRIP, Lift Lever
3	1960518	1	NUT, Push 1/4 Thread
4	1723321	1	SPRING, Compression
5	1720695A	1	HANDLE ASSEMBLY, Lift
6	1721257	1	ROD, Latch
7	1921159	1	CAPSCREW, Hex Head, 1/4-20 x 2-1/4
8	1720599	1	LATCH
9	1920397	1	NUT, Hex Lock, ESNA, 1/4-20
10	1931277	2	NUT, 5/16-18, Hex Flange Whiz Lock Small
11	1921977	3	CAPSCREW, Hex Head, 5/16-18 x 1-1/4
12	1960044	3	WASHER, Plain, 21/64 x 1-1/4
13	1666697	1	SPACER
14	1723409A	1	BRACKET, Adjusting
15	2108512	1	PIVOT
16	1924940	9	WASHER, 3/8
17	1918447	1	PIN, Cotter 3/32 x 3/4
18	1931335	2	CARRIAGE BOLT, 5/16-18 x 1
19	2860643	2	NUT, Hex Flange Collar Lock, 5/16-18
20	1918448	1	PIN, Cotter
21	1732102A	1	LINK, Lift Mower
22	1732049	1	PIN, Clevis
23	1731993A	1	SHAFT ASSEMBLY, Rocker Mulch
24	1960236	2	SPACER
25	1723305A	1	SHAFT & BAR ASSEMBLY
26	1924366	7	WASHER, 5/8
27	1722036	2	ROLLER, Rounded End
28	1668513	6	ROLLER
29	1717675	1	ROLLER, End
30	1602946	1	SPACER
31	7028200	1	TRUNNION
32	1920161	1	NUT, Jam, 5/16-18
33	1960074	2	CLIP, Spring
34	1724959	1	ROD, Height Adjustment
35	1931352	1	CARRIAGE BOLT, 3/8-16 x 1-1/2
36	1931202	4	CAPSCREW, Taptite, 5/16-18 x 1-1/4
37	1732010A	1	UPSTOP
38	1919381	6	WASHER, Plain, 5/16
39	1933988	4	NUT, Push
40	1665374	3	STRAP
41	2860681	3	NUT, Hex Toplock Spiral Flange, 3/8-16
42	1704073A	1	BAR, Roller
43	1704082	1	NUT, Adjuster
44	1677507	1	SLIDE

Footnotes

The above parts group applies to the following Mfg. Nos.:

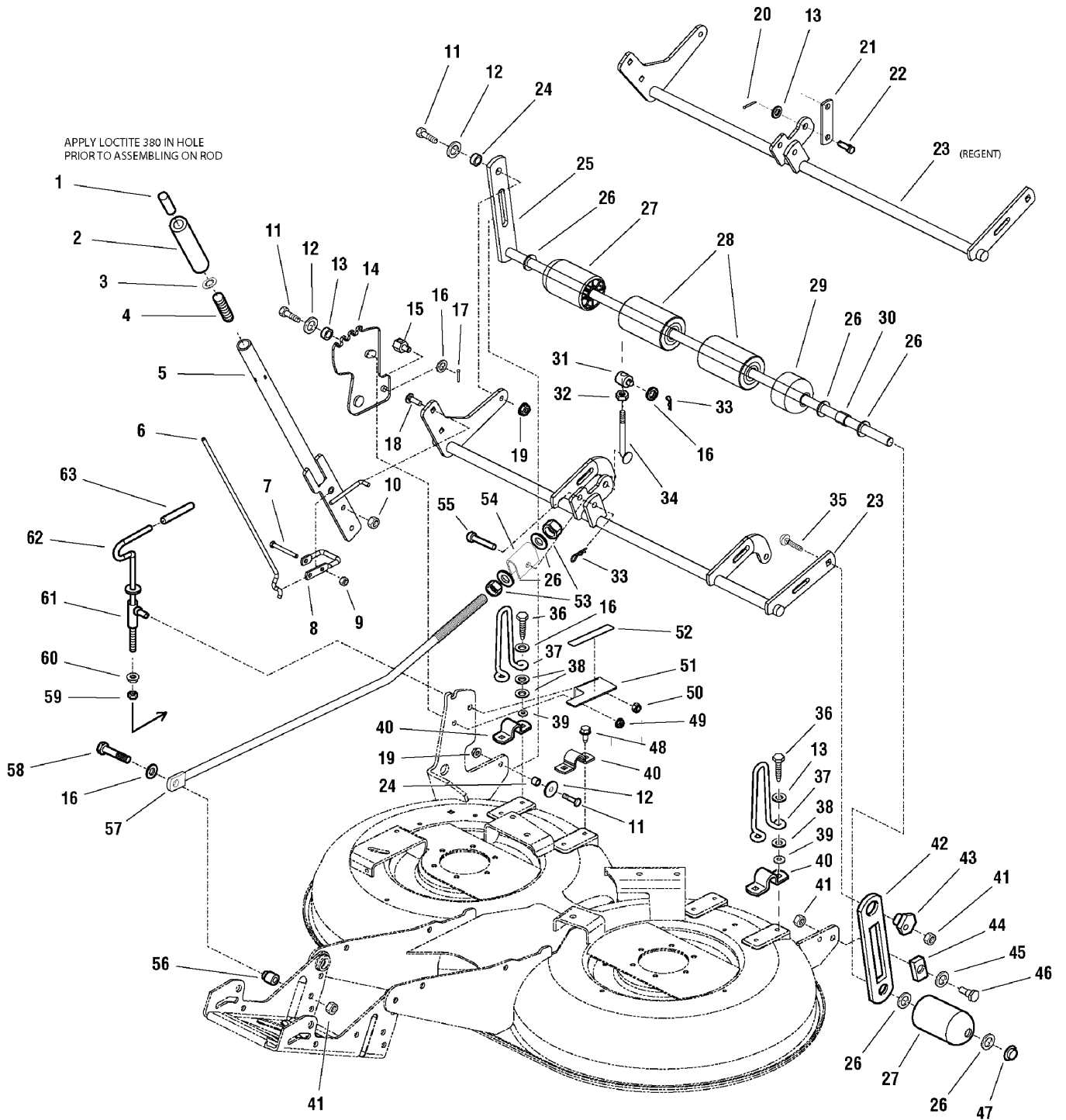
1694976 - 40" Mower

2690495 - Regent

40" Mower Deck - Height Adjustment & Roller Bar Group

987287

NOTE: Unless noted otherwise,
use the standard hardware torque
specification chart.



The above parts group applies to the following Mfg. Nos.:

1694976 - 40" Mower

2690495 - Regent

40" Mower Deck - Height Adjustment & Roller Bar Group

REF NO	PART NO.	QTY.	DESCRIPTION
45	1924361	1	WASHER, Plain
46	2172622	1	SHOULDER BOLT
47	1960520	1	PUSH NUT, 5/8
48	1664847	2	CAPSCREW, Hex Head, Taptite, 5/16-18 x 3/4
49	1935048	1	NUT, Hex, Flange Lock, 5/16-18
50	1930645	1	NUT, Hex, Flange, Locking, 3/8-16
51	1720931A	1	BRACKET, Height of Cut
52	1720919	1	DECAL, Height
53	1915726	2	NUT, Hex, Full, 5/8
54	1706645A	1	TRUNNION, Rod
55	2118053	1	Pin
56	1706644	1	SPACER, 3/8 x 3/4 x 15/16
57	1722661	1	ROD, Adjusting
58	1922606	1	CAPSCREW, Hex Head, 3/8-16 x 1 3/4
59	1917421	1	NUT, Jam, Hex, 3/8-16
60	1960601	1	NUT, Hex Flange, 3/8-16
61	2108241	1	SOCKET ASSEMBLY
62	1720704	1	ROD & WASHER ASSEMBLY, Adjust Handle
63	1651820	1	GRIP

Footnotes

The above parts group applies to the following Mfg. Nos.:

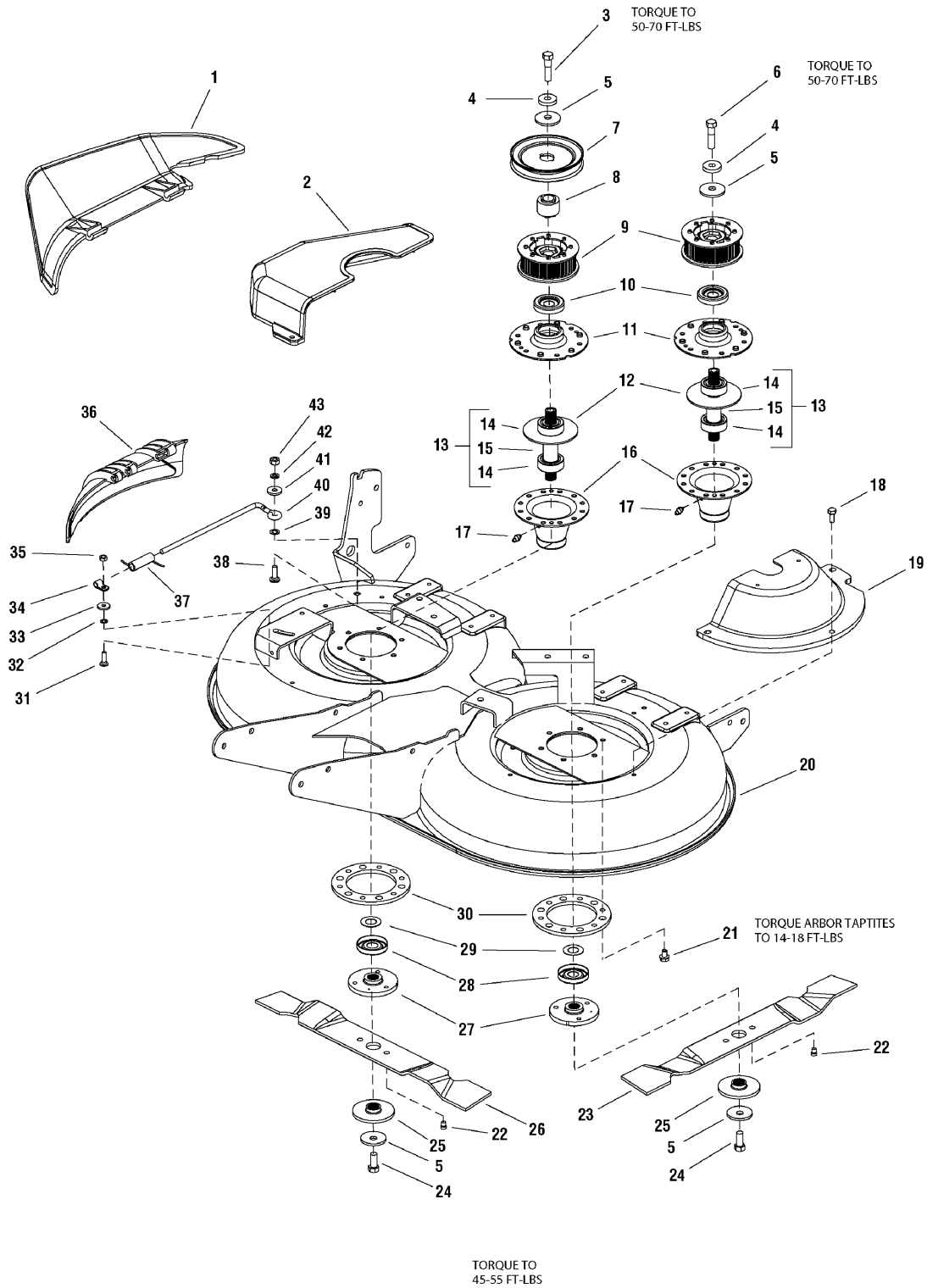
1694976 - 40" Mower

2690495 - Regent

40" Mower Deck - Housing, Arbors & Blades Group

987296

NOTE: Unless noted otherwise,
use the standard hardware torque
specification chart.



The above parts group applies to the following Mfg. Nos.:

1694976 - 40" Mower

2690495 - Regent

40" Mower Deck - Housing, Arbors & Blades Group

REF NO	PART NO.	QTY.	DESCRIPTION
1	1723453	1	DEFLECTOR, Discharge
2	1732085	1	COVER, Arbor RH Black
3	1930585	1	CAPSCREW, Hex Flange, 7/16-14 x 3-1/2 G8
4	1933263	2	WASHER
5	1656916	4	WASHER, Spring
6	2830584	1	CAPSCREW, 7/16-14 x 2-3/4 G8
7	1732123	1	PULLEY, Drive
8	1732051	1	HUB
9	1724453	2	SPROCKET & FLANGE ASSEMBLY, Riveted, 38 Tooth
10	1657969	2	SHIELD, Bearing Upper, Arbor
11	1655729A	2	COVER, Arbor Housing
12	1707335	2	GASKET, Foam
13	1722396	2	ARBOR SHAFT & BEARINGS ASSEMBLY (Includes Ref. Nos 48& 49)
14	2108202	4	BEARING, Upper
15	1722394	2	SHAFT, Spline 5.389LG
16	1703273A	2	HOUSING, Arbor Bottom (Includes Ref. No 50)
17	1704314	2	FITTING, Grease
18	1664847	6	CAPSCREW, Hex Head, Taptite, 5/16-18 x 3/4
19	1724601	1	COVER, Arbor, LH
20	1731992C	1	HOUSING ASSEMBLY, 40" Mulcher Orange
21	1960373	12	CAPSCREW, Taptite Hex Washer Head, 5/16-18 x 1
22	1722258	2	PIN, Blade
23	1719624	1	BLADE, Mower 40" Mower LH
24	2827120	2	CAPSCREW, Hex Head, 7/16-14 x 2-1/4 G8
25	1722257	2	WASHER, Spline
26	1719623	1	BLADE, Mower 40" Mower RH
27	1655777	2	ADAPTOR, Blade
28	1700229	2	SHIELD, Bearing
29	1700230	2	WASHER, Shim
30	1677274A	2	ADAPTOR, Arbor
31	1931318	1	CARRIAGE BOLT, 1/4-20 x 7/8
32	1960518	1	NUT, Push On
33	1960353	1	WASHER, Plain, 1/4 (6 Total for Export)
34	1704873	1	CLAMP
35	1920397	1	NUT, Hex, 1/4-20
36	1719597	1	DOOR, Mulching, Black Plastic
37	1723938	1	SPRING
38	1931335	1	CARRIAGE BOLT, 5/16-18 x 1
39	1933988	1	NUT, Push
40	1719617	1	ROD, Pivot
41	1919381	1	WASHER, Plain, 5/16
42	1917356	1	LOCKWASHER, 5/16
43	1917372	1	NUT, Hex, Full, 5/16-18

Footnotes

The above parts group applies to the following Mfg. Nos.:

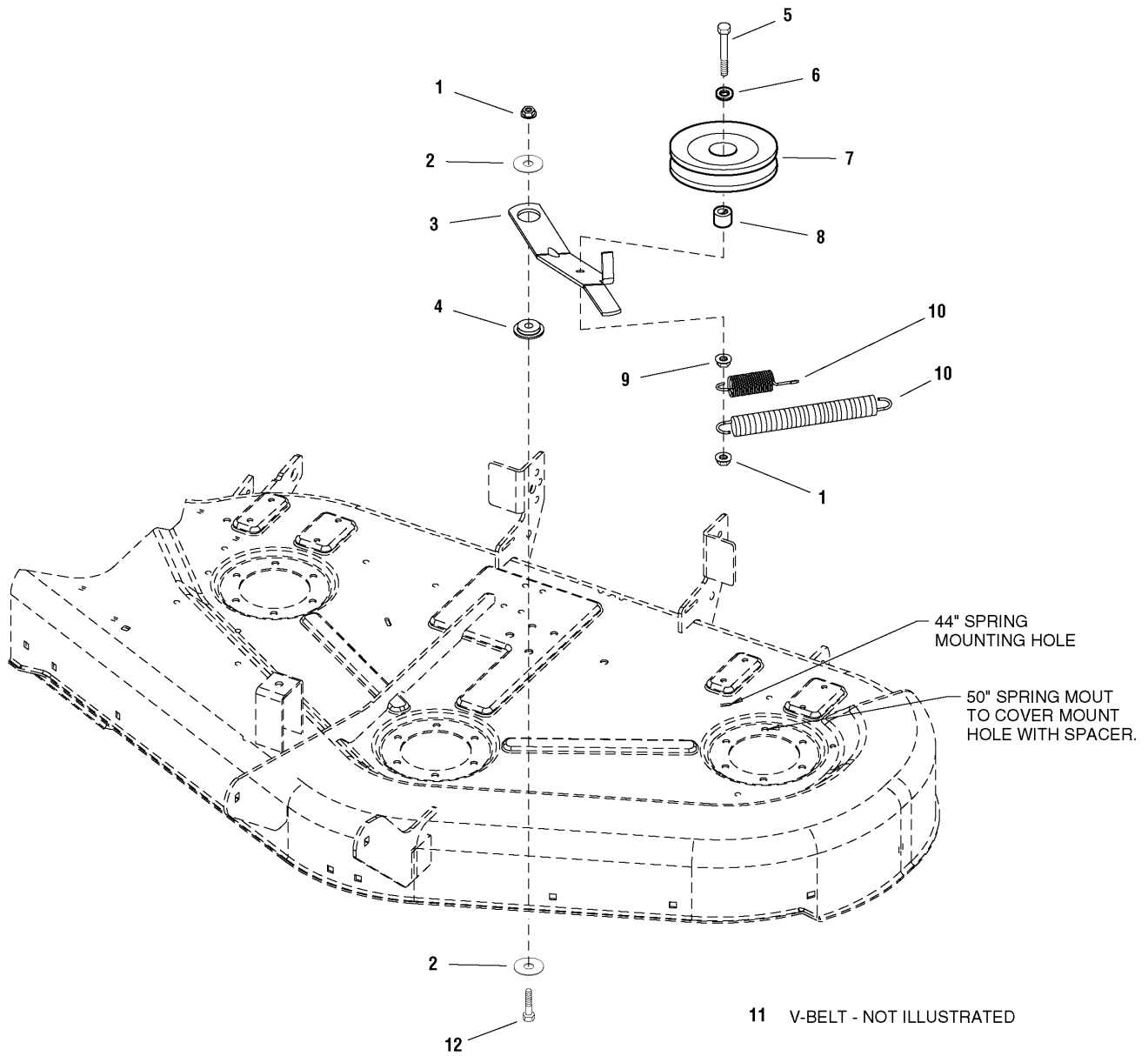
1694976 - 40" Mower

2690495 - Regent

44" & 50" Mower Deck - Belt, Idler Arm & Hitch Group

987079

NOTE: Unless noted otherwise, use the standard hardware torque specification chart.



The above parts group applies to the following Mfg. Nos.:

1694886 - 44" Mower	2690438 - Regent	2690493 - Regent
1694887 - 50" Mower	2690439 - Regent	2690494 - 2518
1694937 - 44" Mower	2690466 - 524	2690496 - Regent
1694938 - 50" Mower	2690467 - 522	
1694975 - 44" Mower	2690469 - 2524	
1695011 - 44" Mower	2690470 - 2522	

44" & 50" Mower Deck - Belt, Idler Arm & Hitch Group

REF NO	PART NO.	QTY.	DESCRIPTION
1	1960339	2	NUT, Hex Flange Center Locking, 3/8-16
2	1924356	2	WASHER, Plain, 13/32 x 1-1/2 x 1/8
3	1730090A	1	ARM, Idler 7GA
4	1714255	1	SPACER
5	1921972	1	CAPSCREW, Hex Head, 3/8-16 x 2-1/2
6	1924940	1	WASHER, 3/8
7	2171247	1	PULLEY ASSEMBLY
8	1667812	1	SPACER
9	1931211	1	NUT, Whizlock, 3/8-16
10	1656936	1	SPRING, Extension, Idler Arm (44" Mower Deck)
10	1715435	1	SPRING, Extension, Idler Arm (50" Mower Deck)
11	1729627	1	V BELT, Arbor Drive, 44"
11	1732409	1	V BELT, Arbor Drive, 44" (CE Only)
11	1703466	1	V-BELT, Arbor Drive, 50"
12	1922605	1	CAPSCREW, Hex Head, 3/8-16 x 1-1/4, G8

Footnotes

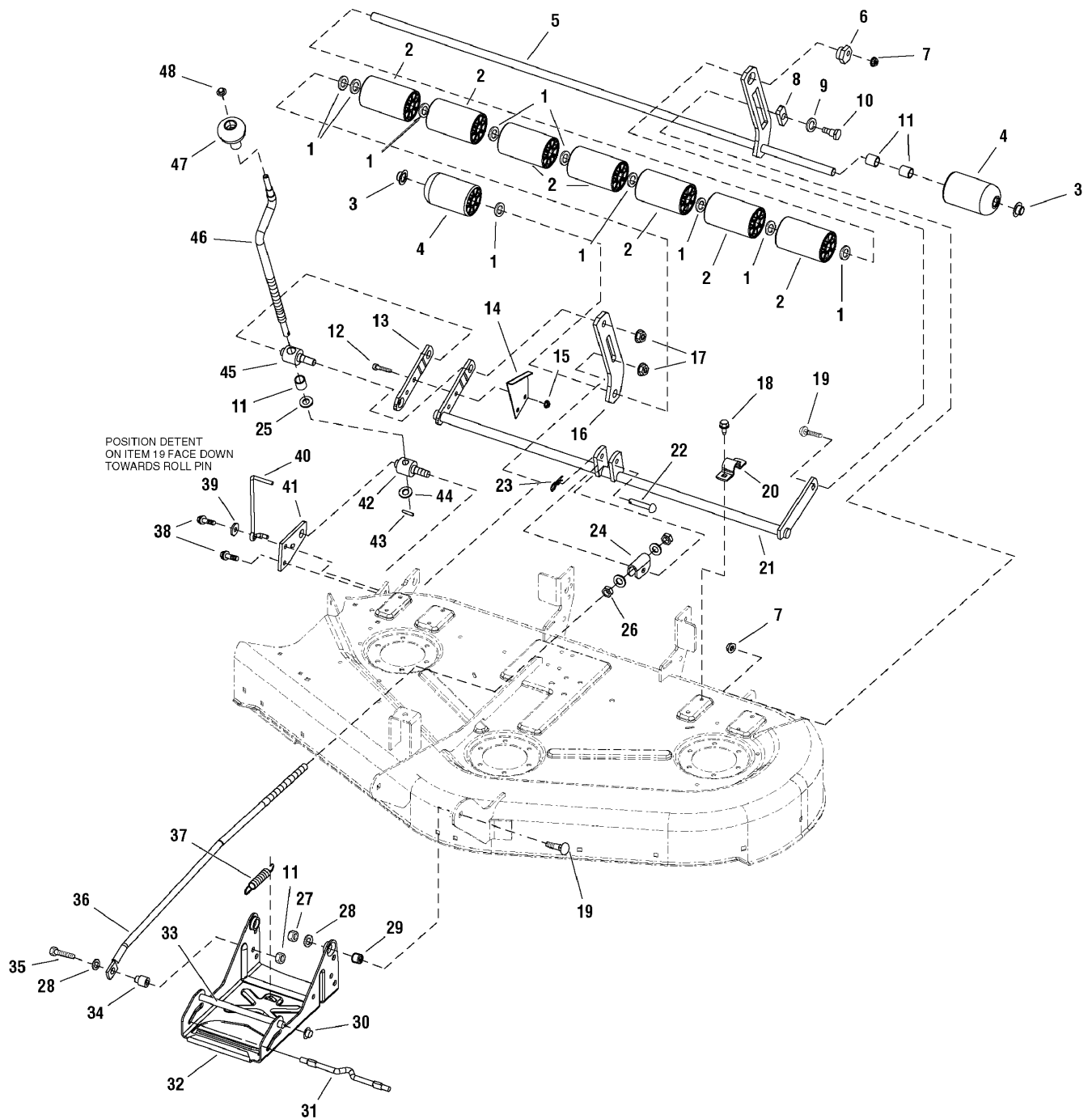
The above parts group applies to the following Mfg. Nos.:

1694886 - 44" Mower	2690438 - Regent	2690493 - Regent
1694887 - 50" Mower	2690439 - Regent	2690494 - 2518
1694937 - 44" Mower	2690466 - 524	2690496 - Regent
1694938 - 50" Mower	2690467 - 522	
1694975 - 44" Mower	2690469 - 2524	
1695011 - 44" Mower	2690470 - 2522	

44" Mower Deck - Height Adjustment & Roller Bar Group

987082

NOTE: Unless noted otherwise,
use the standard hardware torque
specification chart.



The above parts group applies to the following Mfg. Nos.:

- 1694886 - 44" Mower
- 1694937 - 44" Mower
- 1694975 - 44" Mower
- 1695011 - 44" Mower
- 2690438 - Regent
- 2690467 - 522
- 2690470 - 2522
- 2690493 - Regent
- 2690494 - 2518
- 2690496 - Regent

44" Mower Deck - Height Adjustment & Roller Bar Group

REF NO	PART NO.	QTY.	DESCRIPTION
1	1924366	10	WASHER, 5/8
2	1668513	7	ROLLER
3	1960520	2	PUSH NUT, 5/8
4	1722036	2	ROLLER, Rounded End
5	1716159A	1	SHAFT ASSEMBLY, Roller 44" (CE)
5	1729738A	1	SHAFT ASSEMBLY, Roller 44"
6	1704082	1	NUT, Adjuster
7	2860681	3	NUT, Hex Toplock Spiral Flange, 3/8-16
8	1677507	1	SLIDE
9	1924361	1	WASHER, Plain
10	2172622	1	SHOULDER BOLT
11	1602946	2	SPACER (Quantity 3 Used on 44" (CE) Deck)
12	1921977	2	CAPSCREW, Hex Head, 5/16-18 x 1-1/4
13	1704083A	1	ARM, Rear Mower, RH (CE)
13	1726409A	1	ARM, Rear Mower, RH
14	1704116A	1	BRACKET, Cutting Height
15	1931277	2	NUT, 5/16-18, Hex NC-2B
16	1704074A	1	BAR, Roller 44" (CE)
16	1731190A	1	BAR, Roller 44" & 50"
17	1930644	2	NUT, Hex Head, 1/2-13
18	1664847	6	CAPSCREW, Hex Head, Taptite, 5/16-18 x 3/4
19	1931352	3	CARRIAGE BOLT, 3/8-16 x 1-1/2
20	1665374	3	STRAP
21	1732101A	1	SHAFT ASSEMBLY, Rocker 44" (CE)
21	1729626A	1	SHAFT ASSEMBLY, Rocker 44"
22	2118053	1	PIN
23	1960074	1	CLIP, Spring
24	1704081A	1	TRUNNION
25	1960170	3	WASHER, 1/2
26	1913744	2	LOCKNUT, Hex, Jam, 1/2-13
27	1960687	2	NUT, Hex, 3/8-16 ESNA Lock
28	1924940	5	WASHER, 3/8
29	2172329	2	SPACER
30	1960519	1	NUT, Push, 1/2
31	1715759	1	ROD
32	1731406A	1	SUPPORT, Mower
33	1713578	1	ROD
34	1706644	1	SPACER, 3/8 x 3/4 x 15/16
35	1922606	1	CAPSCREW, Hex Head, 3/8-16 x 1 3/4
36	1729625	1	ROD, E-Coat, 1/2-13 x 5.3, 28.900LG
37	2156302	1	SPRING, Extension
38	1931202	2	CAPSCREW, Taptite, 5/16-18 x 1-1/4
39	1919381	1	WASHER, Plain, 5/16
40	1704114	1	ROD, Indicator Cutting Height (CE)

Footnotes

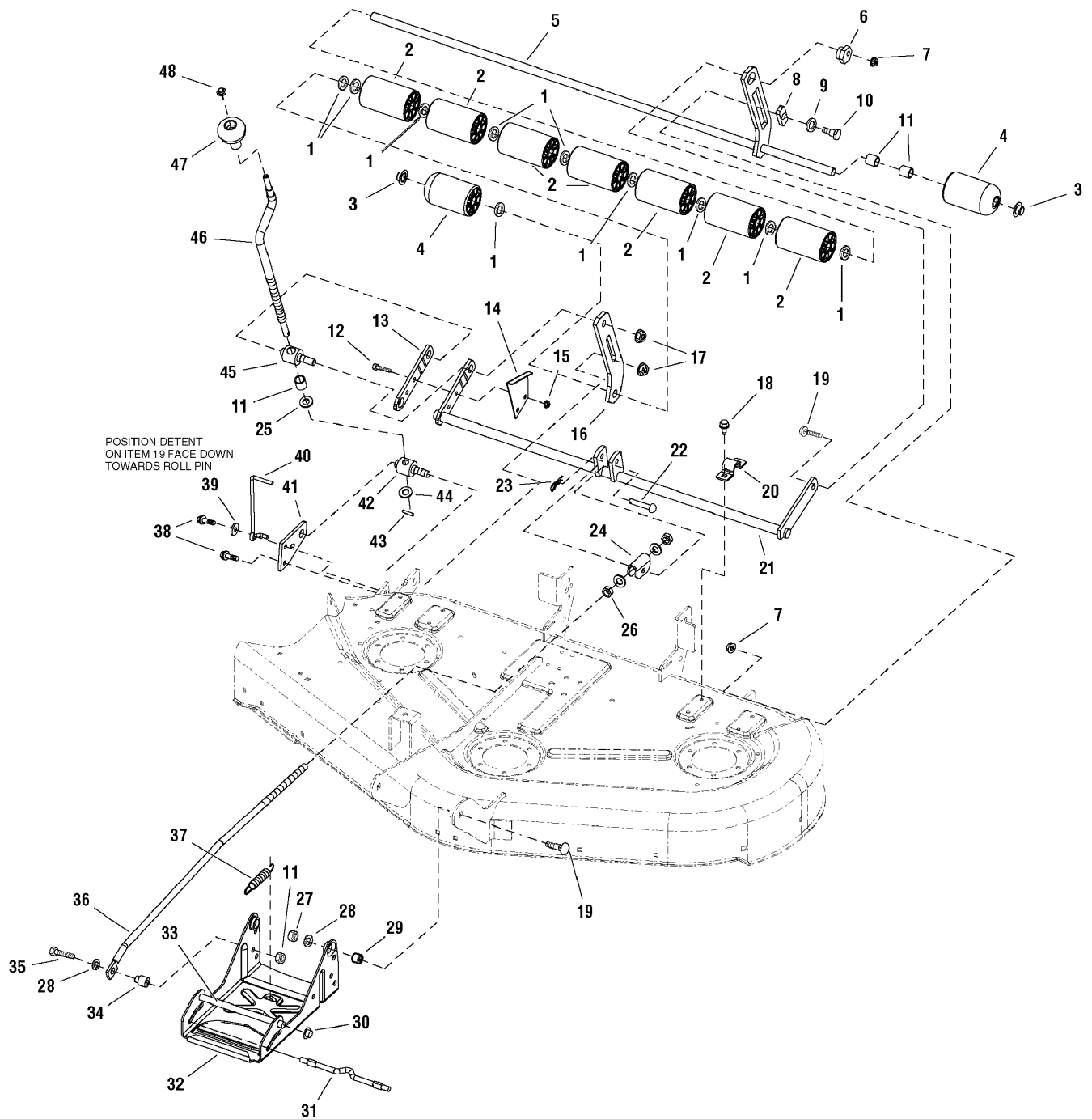
The above parts group applies to the following Mfg. Nos.:

1694886 - 44" Mower 2690470 - 2522
 1694937 - 44" Mower 2690493 - Regent
 1694975 - 44" Mower 2690494 - 2518
 1695011 - 44" Mower 2690496 - Regent
 2690438 - Regent
 2690467 - 522

44" Mower Deck - Height Adjustment & Roller Bar Group

987082

NOTE: Unless noted otherwise,
use the standard hardware torque
specification chart.



The above parts group applies to the following Mfg. Nos.:

- | | |
|---------------------|------------------|
| 1694886 - 44" Mower | 2690470 - 2522 |
| 1694937 - 44" Mower | 2690493 - Regent |
| 1694975 - 44" Mower | 2690494 - 2518 |
| 1695011 - 44" Mower | 2690496 - Regent |
| 2690438 - Regent | |
| 2690467 - 522 | |

44" Mower Deck - Height Adjustment & Roller Bar Group

REF NO	PART NO.	QTY.	DESCRIPTION
40	1732092	1	ROD, Indicator Cutting Height
41	1704080A	1	PLATE, Mower Support
42	1704086	1	TRUNNION
43	2816001	1	PIN, Spring
44	1704097	1	WASHER, Detent
45	1704087	1	TRUNNION, Threaded
46	1719901	1	CRANK, Height Adjustment, Black
47	1714084	1	KNOB, Chute Control Spinner
48	1960093	1	NUT, Push, 3/8

Footnotes

The above parts group applies to the following Mfg. Nos.:

1694886 - 44" Mower 2690470 - 2522
1694937 - 44" Mower 2690493 - Regent
1694975 - 44" Mower 2690494 - 2518
1695011 - 44" Mower 2690496 - Regent
2690438 - Regent
2690467 - 522

44" Mower Deck - Housing, Arbors & Blades Group

REF NO	PART NO.	QTY.	DESCRIPTION
1	1714419	3	NUT, Hex, Flange, 9/16-8
2	1713675	6	WASHER, Belleville
3	1713161	3	PULLEY, RH Arbor & LH Arbor, 4-1/2
3	1713098	3	PULLEY, RH Arbor & LH Arbor, 4-1/4 (CE)
4	1713613	2	HUB, Pulley, RH
5	1713199A	3	COVER, Arbor Housing
6	1713616	1	HUB, Adapter, LH
7	1713204	3	SPACER
8	1705897	6	BEARING
9	1707335	3	GASKET, Foam
10	1713338A	3	HOUSING ASSEMBLY, Arbor Bottom, w/Lube Fitting (Includes Ref. No. 42)
11	1704314	2	FITTING, Grease
12	1923683	1	CAPSCREW, Hex Head Washer Taptite, 3/8-16 x 3/4
13	1720560A	1	COVER, Arbor
14	1664847	27	CAPSCREW, Hex Head, Taptite, 5/16-18 x 3/4
15	1713619	3	WASHER
16	1713612	1	SHAFT, Arbor
17	1713196	3	SHIELD, Grass, Lower
18	1704100	3	BLADE, 44"
19	1713089	3	WASHER, Hex
20	1656916	3	WASHER, Spring
21	2823471	3	CAPSCREW, Hex Head, 7/16-14 x -1/4
22	1724538A	1	BAFFLE, Anti-Blowout
23	1931333	2	BOLT, Carriage, 5/16-18 x 3/4 (Quantity 8 Used on CE Deck)
24	1931277	2	NUT, Hex, Flange Whizlock, 5/16-18 (Quantity 8 Used on CE Deck)
25	1716879A	1	BAFFLE, Blowout LH, 44"
26	1731990	1	BAFFLE, Blowout 44" Mower
27	1713609	2	SHAFT, Arbor, RH
28	1960633	1	CARRIAGE BOLT, 1/4-20 x 1-1/2, Black
29	1960698	2	CARRIAGE BOLT, 1/4-20 x 1, Black (Domestic Only)
29	1960633	1	CARRIAGE BOLT, 1/4-20 x 1-1/2, Black (CE Only)
30	1715673	1	COVER, Arbor, RH
31	1960518	2	NUT, Push On
32	1960353	2	WASHER, Plain, 1/4 (6 Total for Export)
33	1704873	1	CLAMP
34	1920397	2	NUT, Hex Lock ESNA, 1/4-20
35	1919326	1	WASHER, Flat, 5/16
36	1705449	1	DEFLECTOR, Plastic
37	1723938	1	SPRING
38	1705115	1	PLUG, Button for .344 Square Hole
39	1706709A	1	ROD, Deflector, Front
40	1916622	1	NUT, Hex, 1/4-20
41	1729596C	1	HOUSING ASSEMBLY, 44" Mower (Orange)
41	1729596D	1	HOUSING ASSEMBLY, 44" Mower (Red)

Footnotes

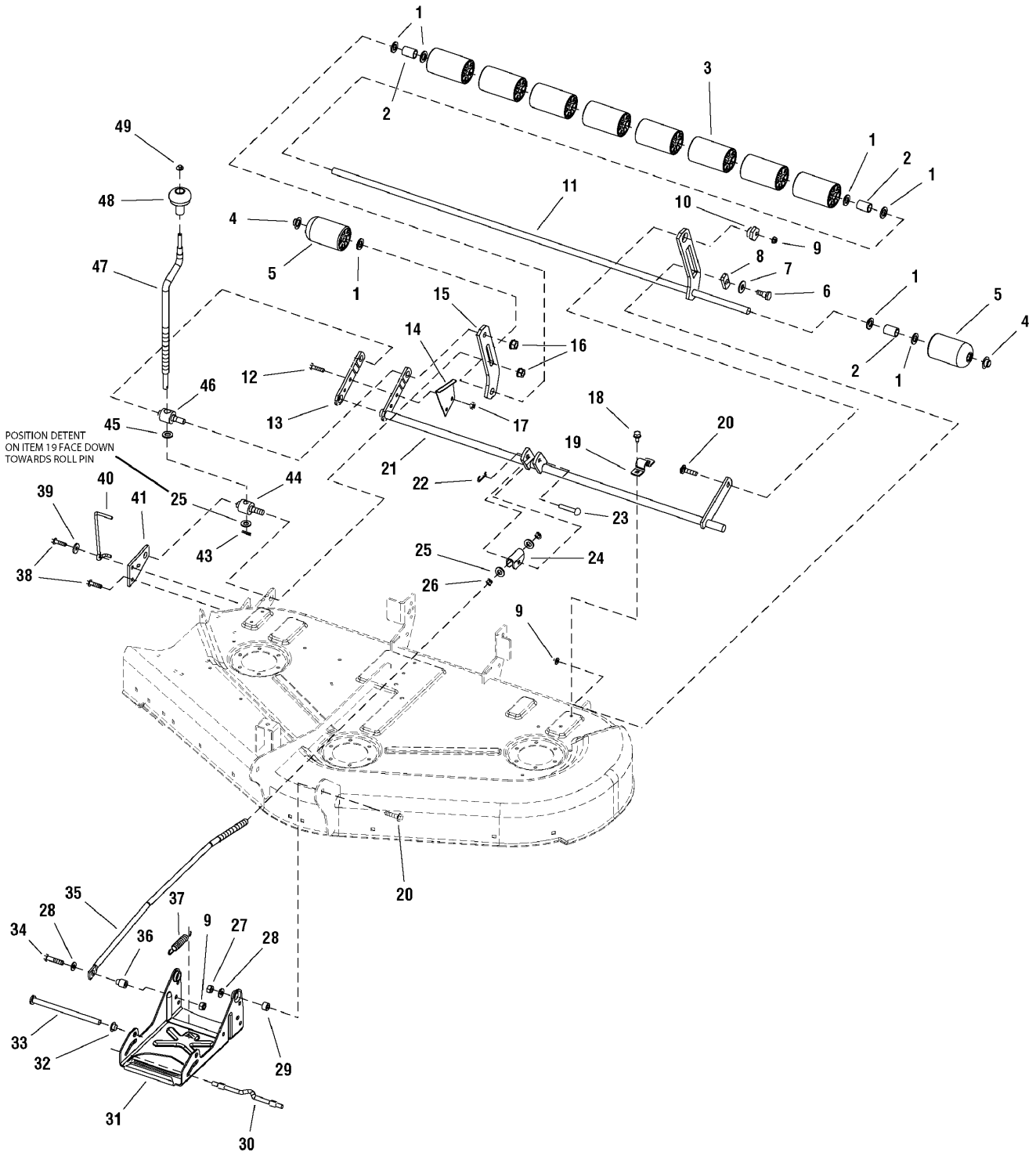
The above parts group applies to the following Mfg. Nos.:

1694886 - 44" Mower 2690470 - 2522
 1694937 - 44" Mower 2690493 - Regent
 1694975 - 44" Mower 2690494 - 2518
 1695011 - 44" Mower 2690496 - Regent
 2690438 - Regent
 2690467 - 522

50" Mower Deck - Height Adjustment & Roller Bar Group

987083

NOTE: Unless noted otherwise,
use the standard hardware torque
specification chart.



The above parts group applies to the following Mfg. Nos.:

- 1694887 - 50" Mower
- 1694938 - 50" Mower
- 2690439 - Regent
- 2690466 - 524
- 2690469 - 2524

50" Mower Deck - Height Adjustment & Roller Bar Group

REF NO	PART NO.	QTY.	DESCRIPTION
1	1924366	6	WASHER, 5/8
2	1709195	3	SPACER, 1-1/4 x 5/8
3	1668513	8	ROLLER
4	1960520	2	PUSH NUT, 5/8
5	1722036	2	ROLLER, Rounded End
6	2172622	1	SHOULDER BOLT
7	1924361	1	WASHER, Plain
8	1677507	1	SLIDE
9	2860681	3	NUT, Hex Toplock Spiral Flange, 3/8-16
10	1704082	1	NUT, Adjuster
11	1729739A	1	ROCKER SHAFT ASSEMBLY, 50"
12	1921977	2	CAPSCREW, Hex Head, 5/16-18 x 1-1/4
13	1726409A	1	ARM, Rear
14	1704116A	1	BRACKET, Cutting Height
15	1731190A	1	BAR, Roller 44", 50"
16	1930644	2	NUT, Hex Head, 1/2-13
17	1931277	2	NUT, Hex, 5/16-18 NC-2B
18	1664847	6	CAPSCREW, Hex Head, Taptite, 5/16-18 x 3/4
19	1665374	3	STRAP
20	1931352	3	CARRIAGE BOLT, 3/8-16 x 1-1/2
21	1729594A	1	SHAFT ASSEMBLY, Rocker 50"
22	1960074	1	CLIP, Spring
23	2118053	1	Pin
24	1704081A	1	TRUNNION
25	1960170	3	WASHER, 1/2
26	1913744	2	LOCKNUT, Hex, Jam, 1/2-13
27	1960687	2	NUT, Hex ESNA Lock, 3/8-16
28	1924940	5	WASHER, 3/8
29	2172329	2	SPACER
30	1715759	1	ROD
31	1731406A	1	SUPPORT, Mower
32	1960519	1	NUT, Push, 1/2
33	1713578	1	ROD
34	1922606	1	CAPSCREW, Hex Head, 3/8-16 x 1 3/4
35	1729625	1	ROD, E-Coat, 1/2-13 x 5.3, 28.900LG
36	1706644	1	SPACER, 3/8 x 3/4 x 15/16
37	2156302	1	SPRING, Extension
38	1931202	2	CAPSCREW, Taptite, 5/16-18 x 1-1/4
39	1919381	1	WASHER, Plain, 5/16
40	1732092	1	ROD, Indicator, Cutting Height
41	1704080A	1	PLATE, Mower Support
43	2816001	1	PIN, Spring
44	1704086	1	TRUNNION

Footnotes

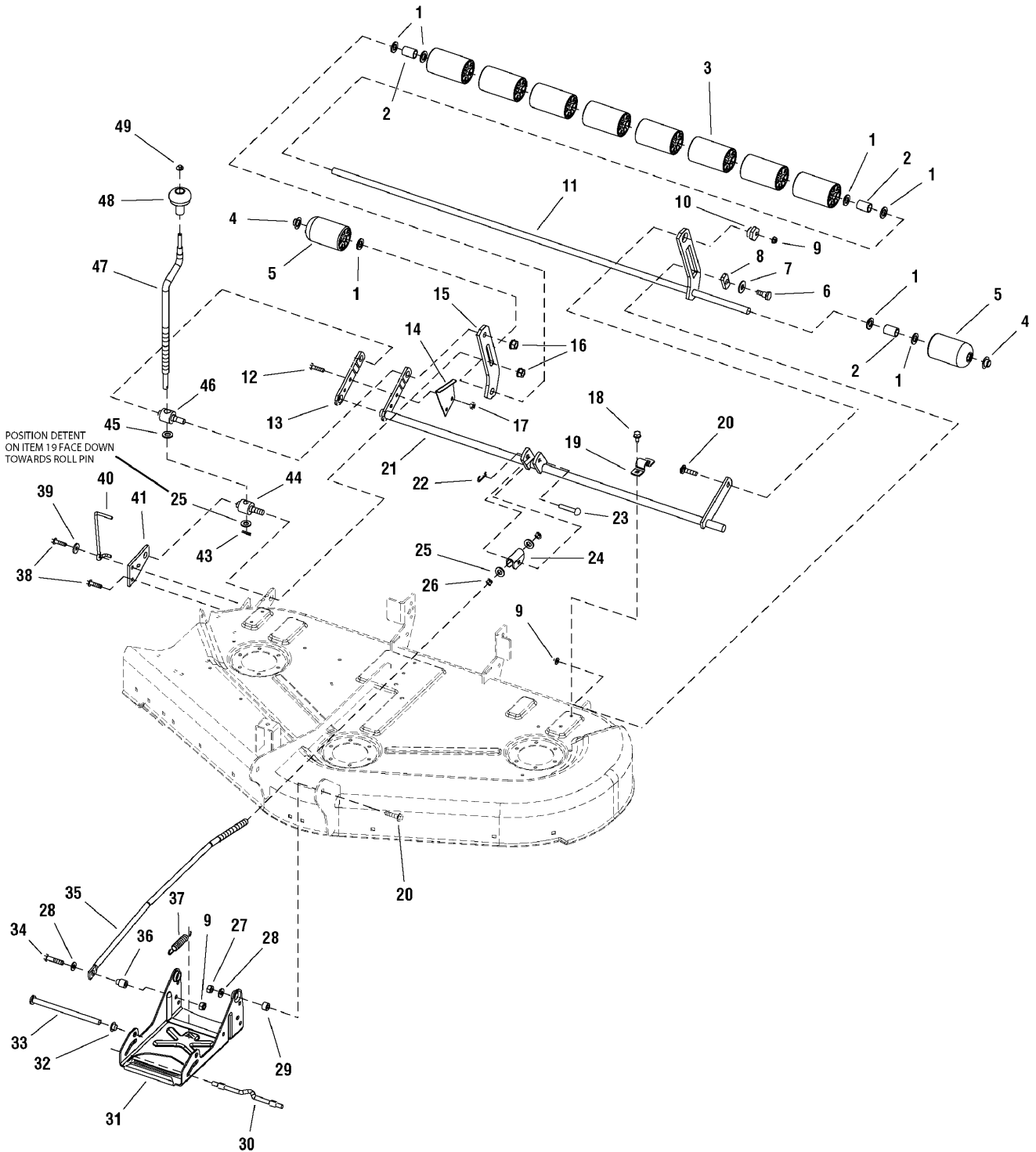
The above parts group applies to the following Mfg. Nos.:

1694887 - 50" Mower
 1694938 - 50" Mower
 2690439 - Regent
 2690466 - 524
 2690469 - 2524

50" Mower Deck - Height Adjustment & Roller Bar Group

987083

NOTE: Unless noted otherwise,
use the standard hardware torque
specification chart.



The above parts group applies to the following Mfg. Nos.:

- 1694887 - 50" Mower
- 1694938 - 50" Mower
- 2690439 - Regent
- 2690466 - 524
- 2690469 - 2524

50" Mower Deck - Height Adjustment & Roller Bar Group

REF NO	PART NO.	QTY.	DESCRIPTION
45	1704097	1	WASHER, Detent
46	1704087	1	TRUNNION, Threaded
47	1719901	1	CRANK, Height Adjustment, Black
48	1714084	1	KNOB, Chute Control Spinner
49	1960093	1	NUT, Push, 3/8

Footnotes

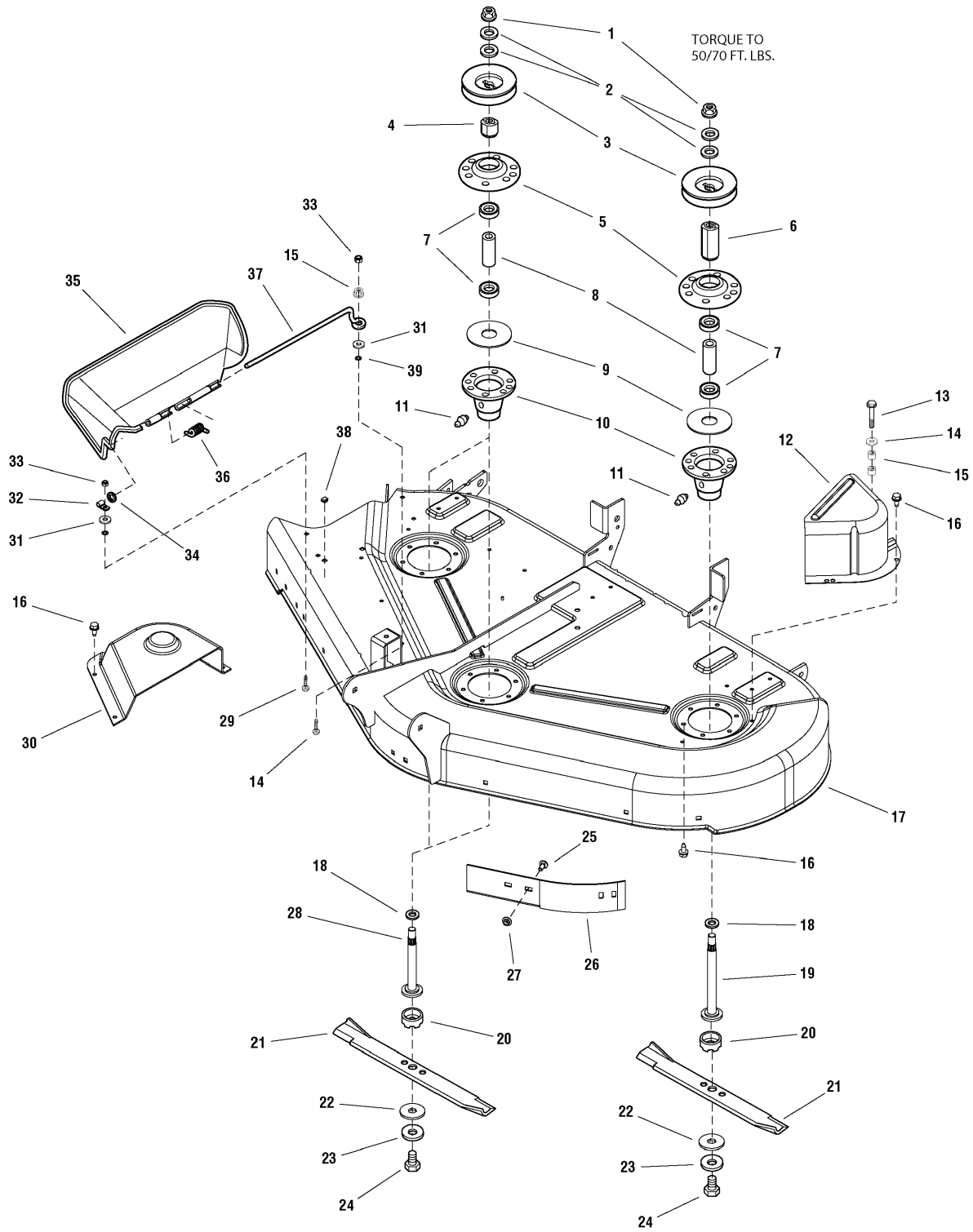
The above parts group applies to the following Mfg. Nos.:

1694887 - 50" Mower
1694938 - 50" Mower
2690439 - Regent
2690466 - 524
2690469 - 2524

50" Mower Deck - Housing, Arbors & Blades Group

987077

NOTE: Unless noted otherwise,
use the standard hardware torque
specification chart.



The above parts group applies to the following Mfg. Nos.:

- 1694887 - 50" Mower
- 1694938 - 50" Mower
- 2690439 - Regent
- 2690466 - 524
- 2690469 - 2524

50" Mower Deck - Housing, Arbors & Blades Group

REF NO	PART NO.	QTY.	DESCRIPTION
1	1714419	3	NUT, Hex, Flange, 9/16-8
2	1713675	6	WASHER, Belleville
3	1713161	3	PULLEY, RH Arbor & LH Arbor, 4-1/2
4	1713613	2	HUB, Pulley, RH
5	1713199A	3	COVER, Arbor Housing
6	1713616	1	HUB, Adapter, LH
7	1705897	6	BEARING
8	1713204	3	SPACER
9	1707335	3	GASKET, Foam
10	1713338A	3	HOUSING ASSEMBLY, Arbor Bottom, w/Lube Fitting
11	1704314	2	FITTING, Grease
12	1720560A	1	COVER, Arbor
13	1960730	1	CAPSCREW, Hex Head, Serrated Flange Taptite, 5/16-18 x 2 G5
14	1960698	1	CARRIAGE BOLT, 1/4-20 x 1-1/2, Black
15	1931277	1	NUT, 1/4-20, Hex
16	1664847	26	CAPSCREW, Hex Head, Taptite, 5/16-18 x 3/4
17	1729367C	1	HOUSING ASSEMBLY, 50" (Orange)
17	1729367D	1	HOUSING ASSEMBLY, 50" (Red)
18	1713619	3	WASHER
19	1713612	1	SHAFT, Arbor
20	1713196	3	SHIELD, Grass, Lower
21	1708229	3	BLADE, 18-1/8, 50" Deck
22	1713089	3	WASHER, Hex
23	1656916	3	WASHER, Spring
24	2823471	3	CAPSCREW, Hex Head, 7/16-14 x -1/4
25	1931333	2	BOLT, Carriage, 5/16-18 x 3/4
26	1724538A	1	BAFFLE, Anti-Blowout
27	1931277	3	NUT, Hex, Flange Whizlock, 5/16-18
28	1713609	2	SHAFT, Arbor, RH
29	1960698	2	CARRIAGE BOLT, 1/4-20 x 1, Black
30	1715673	1	COVER, Arbor, RH
31	1960353	2	WASHER, Plain, 1/4 (6 Total for Export)
32	1704873	1	CLAMP
33	1920397	2	NUT, Hex Lock, ESNA, 1/4-20
34	1919326	1	WASHER, Flat, 5/16
35	1705449	1	DEFLECTOR, Plastic
36	1723938	1	SPRING
37	1706709A	1	ROD, Deflector, Front
38	1705115	1	PLUG, Plastic
39	1960518	2	NUT, Push On

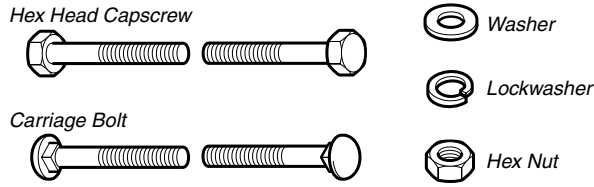
Footnotes

The above parts group applies to the following Mfg. Nos.:

1694887 - 50" Mower
1694938 - 50" Mower
2690439 - Regent
2690466 - 524
2690469 - 2524

Hardware Identification & Torque Specifications

Common Hardware Types

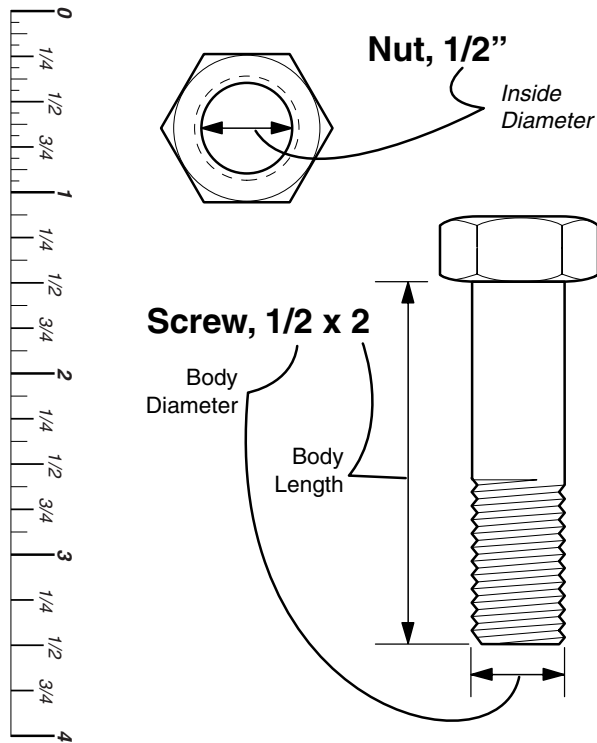


Standard Hardware Sizing

When a washer or nut is identified as 1/2", this is the *Nominal size*, meaning the *inside diameter* is 1/2 inch; if a second number is present it represents the *threads per inch*

When bolt or capscrew is identified as 1/2 - 16 x 2", this means the *Nominal size*, or *body diameter* is 1/2 inch; the second number represents the *threads per inch* (16 in this example, and the final number is the *body length* of the bolt or screw (in this example 2 inches long).

The guides and ruler furnished below are designed to help you select the appropriate hardware and tools.



Torque Specification Chart						
FOR STANDARD MACHINE HARDWARE (Tolerance ± 20%)						
Hardware Grade	No Marks SAE Grade 2		SAE Grade 5		SAE Grade 8	
	in/lbs ft/lbs	Nm.	in/lbs ft/lbs	Nm.	in/lbs ft/lbs	Nm.
8-32	19	2.1	30	3.4	41	4.6
8-36	20	2.3	31	3.5	43	4.9
10-24	27	3.1	43	4.9	60	6.8
10-32	31	3.5	49	5.5	68	7.7
1/4-20	66	7.6	8	10.9	12	16.3
1/4-28	76	8.6	10	13.6	14	19.0
5/16-18	11	15.0	17	23.1	25	34.0
5/16-24	12	16.3	19	25.8	27	34.0
3/8-16	20	27.2	30	40.8	45	61.2
3/8-24	23	31.3	35	47.6	50	68.0
7/16-14	30	40.8	50	68.0	70	95.2
7/16-20	35	47.6	55	74.8	80	108.8
1/2-13	50	68.0	75	102.0	110	149.6
1/2-20	55	74.8	90	122.4	120	163.2
9/16-12	65	88.4	110	149.6	150	204.0
9/16-18	75	102.0	120	163.2	170	231.2
5/8-11	90	122.4	150	204.0	220	299.2
5/8-18	100	136	180	244.8	240	326.4
3/4-10	160	217.6	260	353.6	386	525.0
3/4-16	180	244.8	300	408.0	420	571.2
7/8-9	140	190.4	400	544.0	600	816.0
7/8-14	155	210.8	440	598.4	660	897.6
1-8	220	299.2	580	788.8	900	1,244.0
1-12	240	326.4	640	870.4	1,000	1,360.0

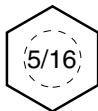
NOTES

- These torque values are to be used for all hardware excluding: locknuts, self-tapping screws, thread forming screws, sheet metal screws and socket head setscrews.
- Recommended seating torque values for locknuts:
 - for prevailing torque locknuts - use 65% of grade 5 torques.
 - for flange whizlock nuts and screws - use 135% of grade 5 torques.
- Unless otherwise noted on assembly drawings, all torque values must meet this specification.

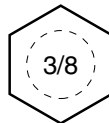
Wrench & Fastener Size Guide



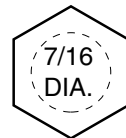
1/4" Bolt or Nut
Wrench—7/16"



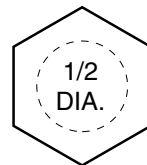
5/16" Bolt or Nut
Wrench—1/2"



3/8" Bolt or Nut
Wrench—9/16"



7/16" Bolt or Nut
Wrench (Bolt)—5/8"
Wrench (Nut)—11/16"



1/2" Bolt or Nut
Wrench—3/4"

Simplicity

MANUFACTURING, INC.
500 N. Spring Street / PO Box 997
Port Washington, WI 53074-0997 USA

www.simplicitymfg.com

© Copyright 2006 Simplicity Manufacturing, Inc.
All Rights Reserved. Printed In USA.

