



# Parts Manual



## Coronet / 400 / 2400

### Series Riders & Mower Decks

#### 13HP Product

Mfg. No.	Description
1694462	Coronet, 13HP Hydro
1694464	2413H, 13HP Hydro
1694510	Coronet, 13HP Hydro (CE/Export)
1694536	2413, 13HP Hydro (CE/Export)

#### 16HP Product

Mfg. No.	Description
1694463	Coronet, 16HP Hydro

#### Mower Decks

Mfg. No.	Description
1692543	30" Mower Deck
1694053	30" Mower Deck
1694511	30" Mower Deck (CE/Export)
1694537	30" Mower Deck
1692545	34" Mower Deck

Part No.: 1731142

Rev. 04/2007

TP 400-4095-00-CO-SMA



<b>PRODUCT COMPONENTS</b>	<b>PAGES</b>
Frame & Fuel System Group .....	4
Steering & Lift Group .....	8
Engine & Electric Clutch Group - 13HP Briggs & Stratton, INTEK .....	10
Engine & Electric Clutch Group - 16HP Kohler CV460 .....	12
Engine Group - 13HP Briggs & Stratton (CE/Export) .....	14
Engine Group - 13HP Briggs & Stratton Intek .....	16
Transmission Group - Hydro-Gear 340-0510 .....	18
Transmission SERVICE PARTS - Hydro-Gear 340-0510 .....	22
Electrical Group .....	28
Electrical Group .....	30
Electrical Group .....	32
Front Column & Dash Group .....	34
Wheels & Tires Group .....	38
Decals Group - Brand & Model .....	40
Decals Group - Common & Safety .....	42
30" Mower Deck - Drive & Arbor .....	44
30" Mower Deck - Housing & Height Adjustment (CE/Export) .....	46
30" Mower Deck - Housing, Hitch & Height Adjustment .....	50
34" Mower Deck - Drive & Arbor .....	54
34" Mower Deck - Height Adjustment .....	56
34" Mower Deck - Housing, Hitch & Deflector .....	58
<b>Torque Specification Chart .....</b>	<b>Inside Back Cover</b>



## Frame & Fuel System Group

REF NO	PART NO.	QTY.	DESCRIPTION
1	1921333SM	2	CAPSCREW, Hex Head, 5/16-18 x 1
2	1925003SM	8	CAPSCREW, Hex Head, Taptite, 1/4-20 x 1/2
3	1715962ASM	1	SHROUD, Rear
4	1931277SM	5	NUT, Hex, Flange, Whizlock, 5/16-18
5	1726558ASM	1	SUPPORT, Fuel Tank
6	1931333SM	1	CARRIAGE BOLT, 5/16-18 x 3/4
7	1708362ASM	1	STRAP, Fuel Tank, Brace
8	1714020SM	1	CAP, Fuel Tank, Vented
9	1726635SM	1	TANK, Fuel
10	1710437SM	1	SPACER, 21/64 x 1/2 x 21/64
11	1924940SM	1	WASHER, Plain, 13/32 x 7/8 x 5/64
12	1931202SM	1	CAPSCREW, Taptite, 5/16-18 x 1-1/ (16HP Models)
12	1960373SM	1	CAPSCREW, Hex, Taptite, 5/16-18 x 1 (13 HP Models)
13	1726400SM	1	BUSHING, Rubber
14	1674792SM	1	ELBOW, Fitting with Screen
15	2860112SM	2	CLAMP, Hose
16	1718678SM	1	HOSE, Fuel Line
17	1960044SM	2	WASHER, Plain
18	1933988SM	2	PUSH NUT, 5/16
19	1930591SM	10	CAPSCREW, Hex Head, Whizlock, 5/16-18 x 3/4
20	1708525SM	1	PAD, Foot Rest, LH
21	1727222A	1	FRAME ASSEMBLY
22	1708524SM	1	PAD, Foot Rest, RH
23	1704351SM	14	FASTENER
24	1727685ASM	1	PANEL, Front
25	1935255SM	4	PAL NUT, 5/16-18
26	1726563ASM	1	SUPPORT, "U", Seat (16 HP Models)
26	1726563ASM	1	SUPPORT, "U", Seat (13 HP Models)
27	1715970SM	2	BUMPER, Rubber
28	1924856SM	1	CAPSCREW, Hex Head, Taptite, 5/16 x 1/2
29	1708725ASM	1	DUCT, Air Inlet (13 HP Models)
29	1726971ASM	1	DUCT, Air Inlet (16 HP Models)
30	1704626SM	2	SPACER, Plastic
31	1705249SM	2	SPACER
32	1704628SM	2	PIN, Quick
33	1705248SM	2	PIVOT, Hood
35	1917356SM	4	WASHER
36	1921221SM	1	CAPSCREW, Hex Head, 5/16-18 x 1-1/2
37	1917372SM	1	NUT, Hex, 5/16-18
38	1921977SM	1	CAPSCREW, 5/16-18 x 1-1/4
39	1703900SM	1	SPACER
40	2860208SM	2	WASHER, 1"
41	1708881SM	1	CAP, Black, Vinyl

### Footnotes

#### The above parts group applies to the following Mfg. Nos.:

1694462 - Coronet  
 1694463 - Coronet  
 1694464 - 2413H  
 1694510 - Coronet  
 1694536 - 2413



## **Frame & Fuel System Group**

---

<b>REF NO</b>	<b>PART NO.</b>	<b>QTY.</b>	<b>DESCRIPTION</b>
42	1725532ASM	1	ADJUSTER, Seat
43	1667286SM	1	SPRING, Extension
44	1725531ASM	1	SUPPORT, Seat
45	1708511SM	4	SPACER
46	1725486SM	1	SEAT ASSEMBLY
47	1726648SM	1	DECK, Seat, Orange Simplicity
47	1726649SM	1	DECK, Seat, Red
47	1686638SM	1	DECK, Seat, Orange Agco Allis
48	1673320SM	3	RIVET
49	1708504SM	1	SCREEN, Seat Deck Top
50	1960295SM	7	CAPSCREW, Hex Head, Whizlock, 1/4-20 x 5/8
51	1930642SM	7	NUT, Hex, Flange Lock, 1/4-20
52	1919381SM	1	WASHER, 5/16
53	1960715SM	4	SCREW, Truss Head, 1/4-20 x 3/4
54	1922127SM	1	CAPSCREW, Hex Head, 5/16-18 x 1-3/4 (16 HP Models)
55	1726836ASM	1	PLATE, Control
56	1724598SM	1	SCREEN
57	1919381SM	4	WASHER, 11/32 x 1 x 1/8
58	1920397SM	1	NUT, ESNA 1/4-20

### **Footnotes**

---

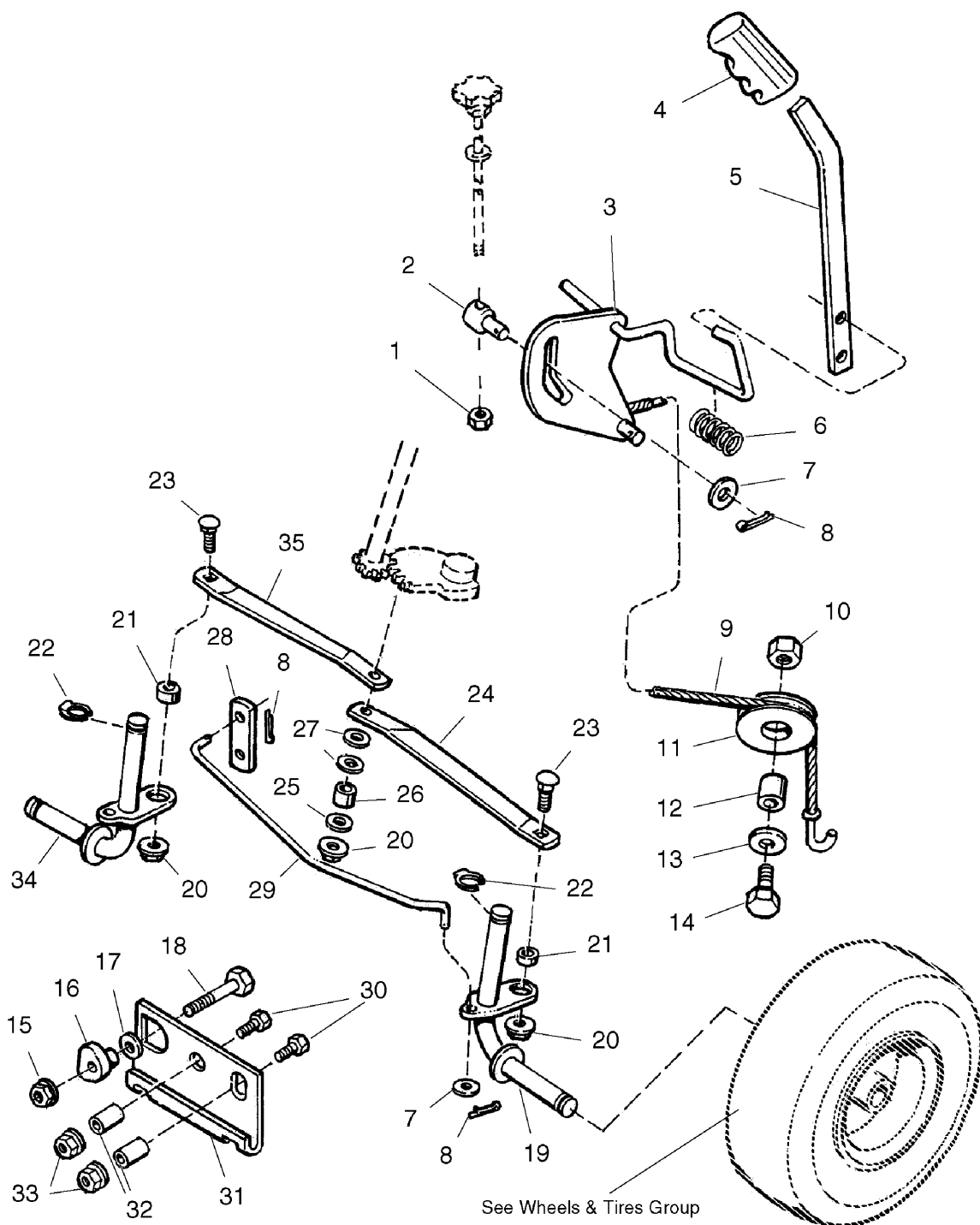
**The above parts group applies to the following Mfg. Nos.:**

1694462 - Coronet  
1694463 - Coronet  
1694464 - 2413H  
1694510 - Coronet  
1694536 - 2413

## Steering & Lift Group

984685SL

**NOTE:** Unless noted otherwise,  
use the standard hardware torque  
specification chart.



**The above parts group applies to the following Mfg. Nos.:**

- 1694462 - Coronet
- 1694463 - Coronet
- 1694464 - 2413H
- 1694510 - Coronet
- 1694536 - 2413



## Steering & Lift Group

REF NO	PART NO.	QTY.	DESCRIPTION
1	1930645SM	1	NUT, Hex, 3/8-16
2	2108512SM	1	PIVOT
3	1708955ASM	1	ARM ASSEMBLY, Lift
4	1708966SM	1	GRIP, Lever
5	1708557ASM	1	LEVER, Lift
6	1708884SM	1	SPRING, Compression
7	1924940SM	3	WASHER, Plain, 13/32 x 7/8 x 5/64
8	1918447SM	3	COTTER PIN, 3/32 x 3/4
9	1708556SM	1	CABLE ASSEMBLY, Lift
10	1919439SM	1	NUT, Hex, Esna Lock, 3/8-16
11	1708559SM	1	PULLEY, Lift
12	1708973SM	1	SPACER
13	1924356SM	1	WASHER, Plain, 13/32 x 1-1/2 x 1/8
14	1921969SM	1	CAPSCREW, Hex Head, 3/8-16 x 1-1/2
15	1930645SM	1	NUT, Hex, Flange Lock, 3/8-16
16	1708514SM	1	ECCENTRIC
17	1922755SM	1	WASHER, 13/32 x 7/8 x 1/8
18	1921971SM	1	CAPSCREW, Hex Head, 3/8-16 x 1-3/4
19	1706011SM	1	SPINDLE ASSEMBLY, LH
20	1935048SM	3	NUT, Hex, Flange Lock, 5/16-18
21	1960236SM	2	SPACER
22	1611710SM	2	KLIP RING
23	1931335SM	2	CARRIAGE BOLT, 5/16-18 x 1
24	1708501ASM	1	TIE ROD, LH
25	1919381SM	1	WASHER
26	1710703SM	1	SPACER, 21/64 x 1/2 x 5/8
27	1960170SM	2	WASHER
28	1708516ASM	1	LEVER
29	1708521SM	1	ROD, Hitch
30	1920328SM	2	CAPSCREW, Hex Head, 1/2-13 x 1-1/2
31	1709237ASM	1	HITCH, Hook
32	1709235SM	2	SPACER
33	1930644SM	2	NUT, Hex, Flange Lock, 1/2-13
34	1706019SM	1	SPINDLE ASSEMBLY, RH
35	1708500ASM	1	TIE ROD, RH

## Footnotes

---

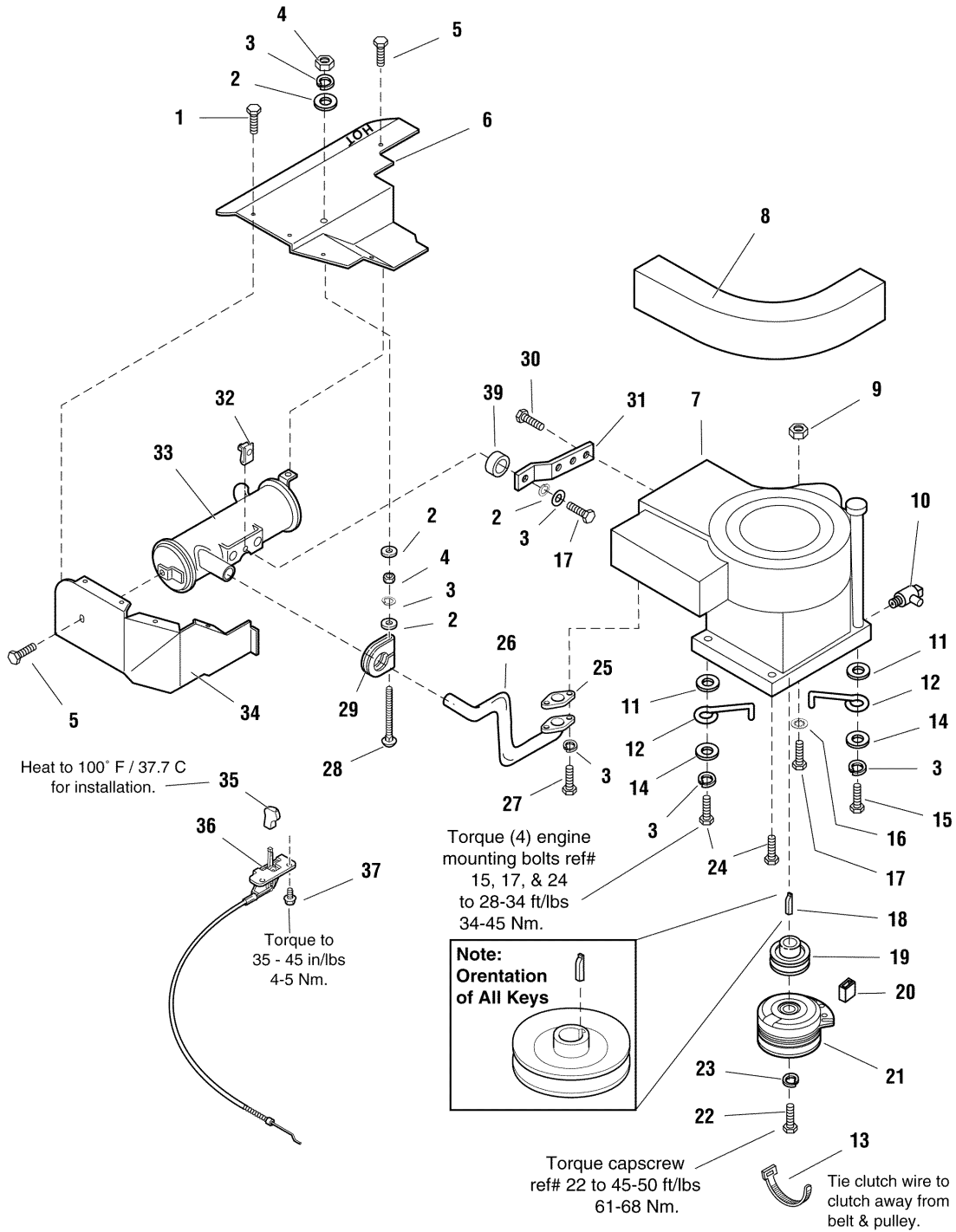
### The above parts group applies to the following Mfg. Nos.:

1694462 - Coronet  
1694463 - Coronet  
1694464 - 2413H  
1694510 - Coronet  
1694536 - 2413

# Engine & Electric Clutch Group - 13HP Briggs & Stratton, INTEK

986211

**NOTE:** Unless noted otherwise, use the standard hardware torque specification chart.



The above parts group applies to the following Mfg. Nos.:

- 1694462 - Coronet
- 1694464 - 2413H

## Engine & Electric Clutch Group - 13HP Briggs & Stratton, INTEK

REF NO	PART NO.	QTY.	DESCRIPTION
1	1960720SM	5	CAPSCREW, Self-Tapping, #10-16 x 1/2
2	1919326SM	4	WASHER, 5/16
3	1917356SM	8	LOCKWASHER, 5/16
4	1917372SM	2	NUT, Hex, 5/16-18
5	1924856SM	2	CAPSCREW, Hex Head, Taptite, 5/16-18 x 1/2
6	1724426ASM	1	DUCT, R.H., Top
7	*	1	ENGINE, Briggs & Stratton, 13HP, Model 21A907922858
8	1709055SM	1	SEAL, Air Inlet
9	1931277SM	3	NUT, Flange, Whizlock, 5/16-18
10	1708405SM	1	VALVE, Shut-Off
11	1933263SM	2	WASHER, Plain
12	1704419SM	2	BELT STOP
13	1701011SM	1	TIE, Self Locking
14	1922755SM	2	WASHER, 3/8
15	2860361SM	1	CAPSCREW, Taptite, 3/8-16 x 2
16	1933988SM	1	PUSH NUT, 5/16-18
17	1933689SM	1	CAPSCREW, Hex, Whizlock, Flange, 5/16-18 x 1-1/2
18	2171241SM	1	** KEY
19	1709218SM	1	PULLEY, Engine
20	1708537SM	1	SLEEVE, Clutch Anchor
21	1686882SM	1	CLUTCH, Electric, Kit
22	1960370SM	1	CAPSCREW, Hex Head, 7/16-20 x 2-1/2
23	1918199SM	1	LOCKWASHER, 7/16
24	1930598SM	2	CAPSCREW, Taptite, 3/8-16 x 1-1/2
25	1650670SM	1	GASKET, Muffler
26	1724466SM	1	PIPE, Exhaust
27	1936228SM	2	CAPSCREW, Socket Head, 5/16-18 x 3/4
28	1960748SM	1	CARRIAGE BOLT, 5/16-18 x 3-1/4
29	1676183SM	1	CLAMP, Muffler
30	1960568SM	2	CAPSCREW, Hex Head, 1/4-20 x 7/8
31	1724428ASM	1	SUPPORT, Muffler
32	1935255SM	1	SPEED NUT, 5/16-18
33	1708416SM	1	MUFFLER ASSEMBLY
34	1724427ASM	1	DUCT, L.H.
35	1713846SM	1	KNOB, Throttle
36	1714040SM	1	THROTTLE CONTROL ASSEMBLY
37	1960536SM	2	SCREW, Plastite, 1/4-10 x 1/2
38	1708442SM	1	STOP, Throttle (Not Pictured, Export Models Only)
39	2157081SM	1	SPACER

### Footnotes

Note\* See your local Briggs & Stratton distributor for parts & service.

Note\*\* Key MUST be installed as shown to prevent damage to electric clutch.

---

### The above parts group applies to the following Mfg. Nos.:

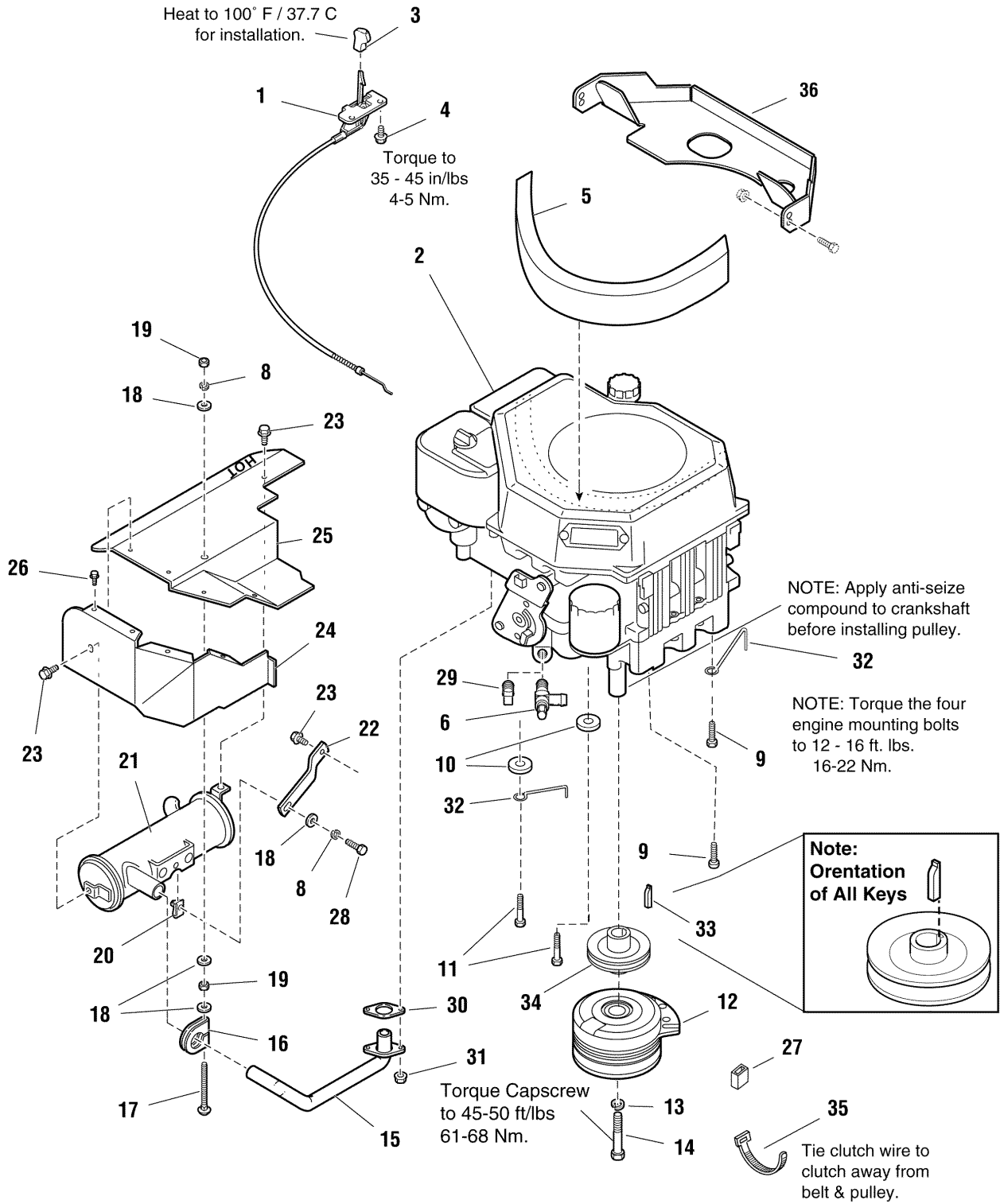
1694462 - Coronet

1694464 - 2413H

# Engine & Electric Clutch Group - 16HP Kohler CV460

**NOTE:** Unless noted otherwise, use the standard hardware torque specification chart.

E986007



The above parts group applies to the following Mfg. Nos.:  
1694463 - Coronet

## Engine & Electric Clutch Group - 16HP Kohler CV460

REF NO	PART NO.	QTY.	DESCRIPTION
1	1714065SM	1	THROTTLE CONTROL ASSEMBLY
2	*	1	ENGINE ASSEMBLY, 16 HP Kohler, Model CV 460, Type PA 26507
3	1713846SM	1	KNOB, Throttle
4	1960536SM	2	SCREW, Plastite, 1/4-10 x 1/2
5	1709055SM	1	SEAL, Air Inlet
6	1708405SM	1	VALVE, Shut Off
7	1919381SM	4	WASHER, Plain, 5/16
8	1917356SM	2	LOCKWASHER, 5/16
9	1928635SM	2	CAPSCREW, Hex Head TapTite 3/8-16 x 1-1/4
10	1933263SM	2	WASHER, Plain
11	1927187SM	2	CAPSCREW, Hex Head Washer TapTite 3/8-16 x 1, Black
12	1686882SM	1	CLUTCH, Electric, Kit
13	1918199SM	1	LOCKWASHER, 7/16
14	1960370SM	1	CAPSCREW, Hex, 7/16-20 x 2-1/2
15	1713502SM	1	PIPE, Exhaust
16	1676183SM	1	CLAMP, Muffler
17	1960748SM	1	CARRIAGE BOLT, 5/16-18 x 3-1/4
18	1919326SM	4	WASHER, 5/16
19	1917372SM	2	NUT, Hex, 5/16-18
20	1935255SM	1	NUT, Speed, 5/16-18
21	1708416SM	1	MUFFLER ASSEMBLY
22	1713557ASM	1	SUPPORT, Muffler
23	1924856SM	3	CAPSCREW, Hex, Taptite, 5/16-18 x 1/2
24	1722621ASM	1	AIR DUCT, Bottom
25	1726418SM	1	SHIELD, Muffler
26	1960720SM	5	CAPSCREW, Hex, Washer Head Thd. Form, #10-16 x 3/8
27	1708537SM	1	SLEEVE, Anchor, Clutch
28	1921333SM	1	CAPSCREW, Hex Head, 5/16-18 x 1
29	*	1	PLUG, Oil Drain
30	*	1	GASKET, Muffler
31	*	2	NUT, Hex Flange
32	1704419SM	2	BELT STOP
33	2171241SM	1	** KEY
34	1709218SM	1	PULLEY
35	1701011SM	1	TIE, Self Locking
36	1726971SM	1	AIR DUCT

### Footnotes

Note\* See your local Kohler distributor for parts & service.

Note\*\* Key MUST be installed as shown to prevent damage to electric clutch.

---

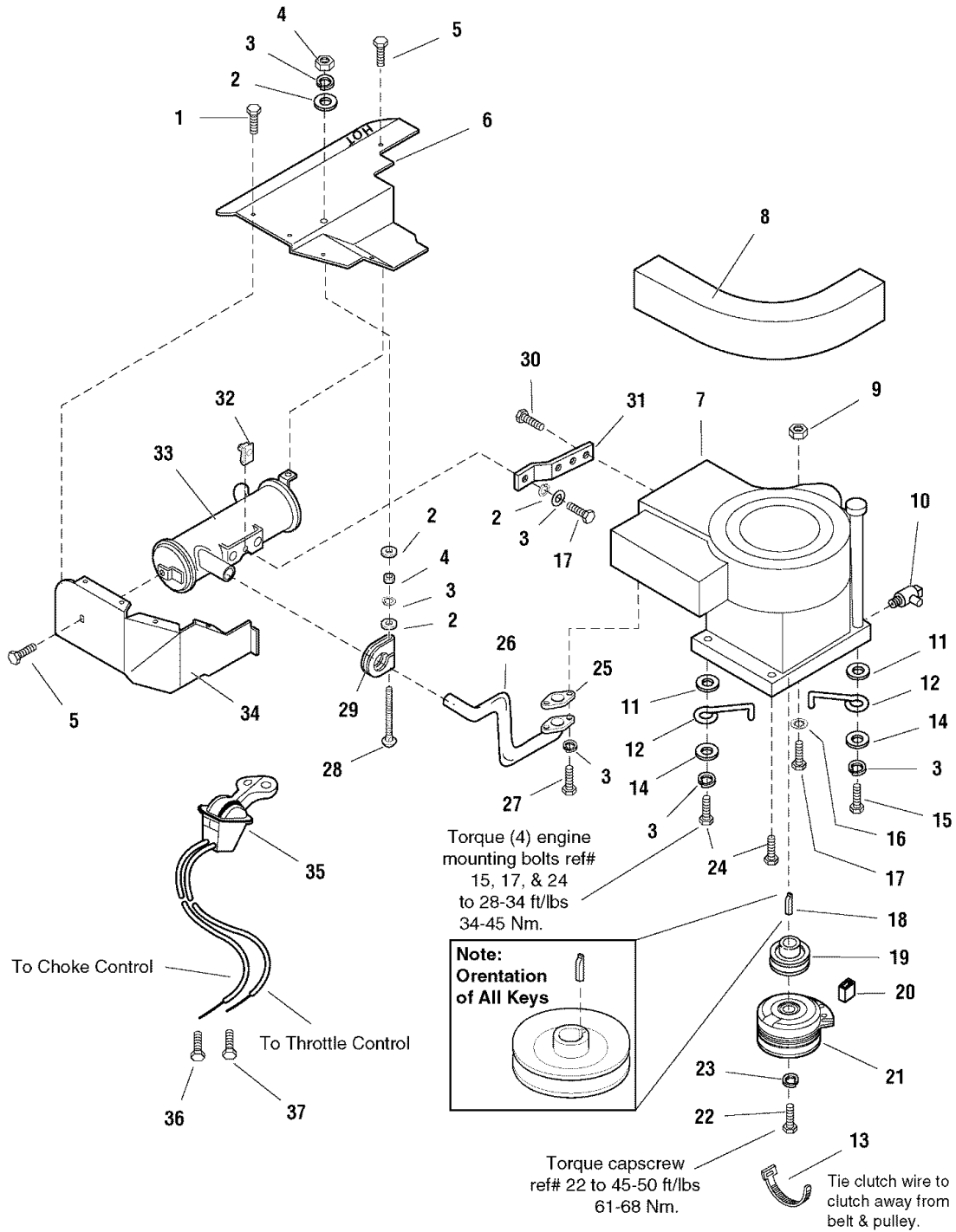
**The above parts group applies to the following Mfg. Nos.:**

1694463 - Coronet

# Engine Group - 13HP Briggs & Stratton (CE/Export)

986570

NOTE: Unless noted otherwise,  
use the standard hardware torque  
specification chart.



The above parts group applies to the following Mfg. Nos.:  
1694536 - 2413

## Engine Group - 13HP Briggs & Stratton (CE/Export)

REF NO	PART NO.	QTY.	DESCRIPTION
1	1960720SM	4	CAPSCREW, Self-Tapping, #10-16 x 1/2
2	1919326SM	4	WASHER, 5/16
3	1917356SM	8	LOCKWASHER, 5/16
4	1917372SM	2	NUT, Hex, 5/16-18
5	1924856SM	2	CAPSCREW, Hex Head, Taptite, 5/16-18 x 1/2
6	1724426ASM	1	DUCT, R.H., Top
7	*	1	ENGINE, Briggs & Stratton, 13HP, Model 21A907922858
8	1709055SM	1	SEAL, Air Inlet
9	1931277SM	3	NUT, Flange, Whizlock, 5/16-18
10	1708405SM	1	VALVE, Shut-Off
11	1933263SM	2	WASHER, Plain
12	1704419SM	2	BELT STOP
13	1701011SM	1	TIE, Self Locking
14	1922755SM	2	WASHER, 3/8
15	2860361SM	1	CAPSCREW, Taptite, 3/8-16 x 2
16	1933988SM	1	PUSH NUT, 5/16-18
17	1933689SM	1	CAPSCREW, Hex, Whizlock, Flange, 5/16-18 x 1-1/2
18	2171241SM	1	** KEY
19	1709218SM	1	PULLEY, Engine
20	1708537SM	1	SLEEVE, Clutch Anchor
21	1686882SM	1	CLUTCH, Electric, Kit
22	1960370SM	1	CAPSCREW, Hex Head, 7/16-20 x 2-1/2
23	1918199SM	1	LOCKWASHER, 7/16
24	1930598SM	2	CAPSCREW, Taptite, 3/8-16 x 1-1/2
25	1650670SM	1	GASKET, Muffler
26	1724466SM	1	PIPE, Exhaust
27	1936228SM	2	CAPSCREW, Socket Head, 5/16-18 x 3/4
28	1960748SM	1	CARRIAGE BOLT, 5/16-18 x 3-1/4
29	1676183SM	1	CLAMP, Muffler
30	1960568SM	2	CAPSCREW, Hex Head, 1/4-20 x 7/8
31	1724428ASM	1	SUPPORT, Muffler
32	1935255SM	1	SPEED NUT, 5/16-18
33	1708416SM	1	MUFFLER ASSEMBLY
34	1724427ASM	1	DUCT, L.H.
35	1727223SM	1	CONTROL, Throttle Double 39" Long w/Knobs
36	1726787SM	1	SCREW, Thread Forming W/Washer, B&S #95220
37	1726788SM	1	SCREW, Hex, Washer Head, B&S #94909
38	1708442SM	1	STOP, Throttle (Not Pictured, Export Models Only)

### Footnotes

Note\* See your local Briggs & Stratton distributor for parts & service.

Note\*\* Key MUST be installed as shown to prevent damage to electric clutch.

---

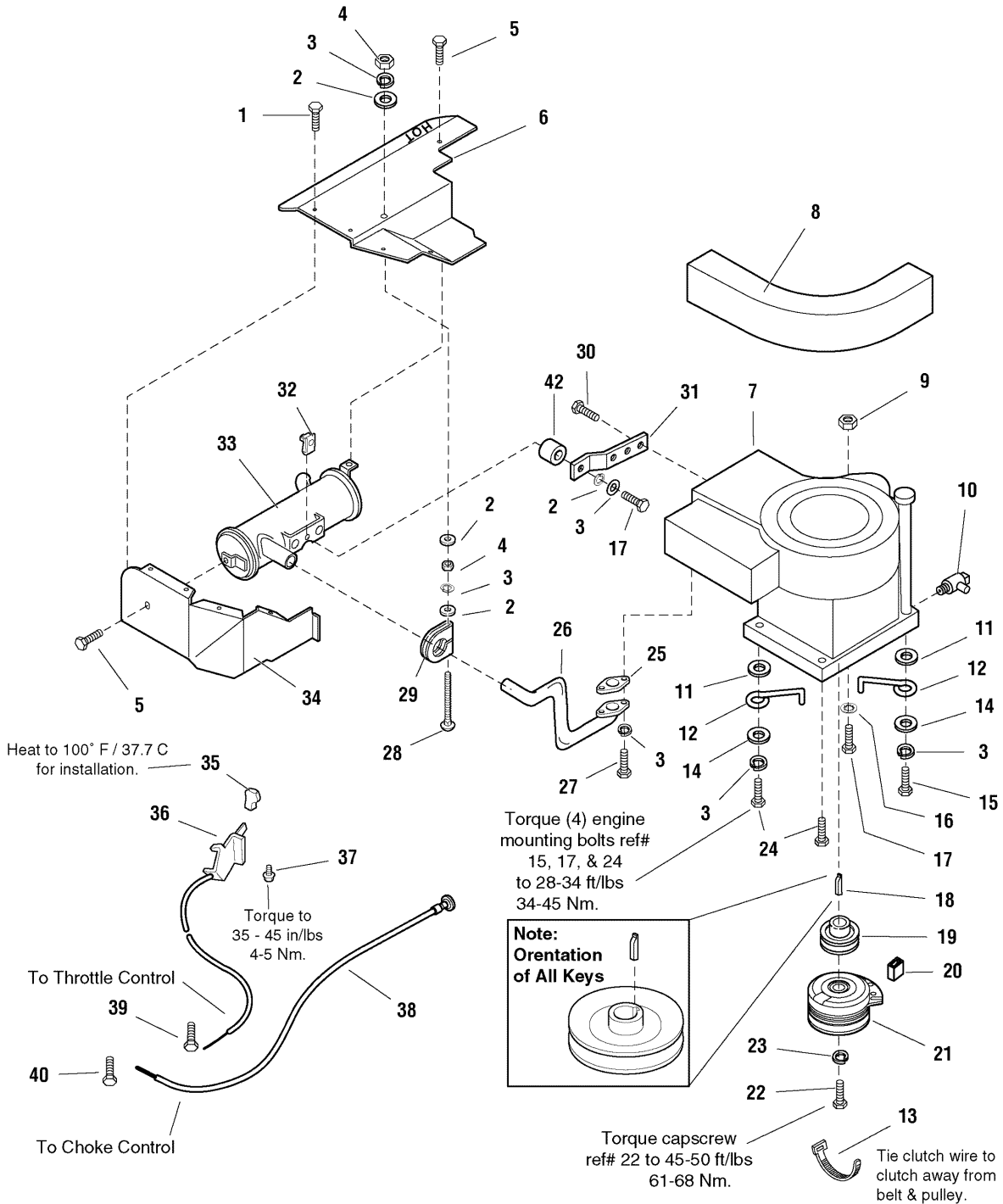
**The above parts group applies to the following Mfg. Nos.:**

1694536 - 2413

# Engine Group - 13HP Briggs & Stratton Intek

986489

**NOTE:** Unless noted otherwise,  
use the standard hardware torque  
specification chart.



The above parts group applies to the following Mfg. Nos.:  
1694510 - Coronet



## Engine Group - 13HP Briggs & Stratton Intek

REF NO	PART NO.	QTY.	DESCRIPTION
1	1960720SM	4	CAPSCREW, Self-Tapping, #10-16 x 1/2
2	1919326SM	4	WASHER, 5/16
3	1917356SM	7	LOCKWASHER, 5/16
4	1917372SM	2	NUT, Hex, 5/16-18
5	1924856SM	2	CAPSCREW, Hex Head, Taptite, 5/16-18 x 1/2
6	1724426ASM	1	DUCT, R.H., Top
7	*	1	ENGINE, Briggs & Stratton, 13HP, Model 21A907922858
8	1709055SM	1	SEAL, Air Inlet
9	1931277SM	3	NUT, Flange, Whizlock, 5/16-18
10	1708405SM	1	VALVE, Shut-Off
11	1933263SM	2	WASHER, Plain
12	1704419SM	2	BELT STOP
13	1701011SM	1	TIE, Self Locking
14	1922755SM	2	WASHER, 3/8
15	2860361SM	1	CAPSCREW, Taptite, 3/8-16 x 2
16	1933988SM	1	PUSH NUT, 5/16-18
17	1933689SM	1	CAPSCREW, Hex, Whizlock, Flange, 5/16-18 x 1-1/2
18	2171241SM	1	** KEY
19	1709218SM	1	PULLEY, Engine
20	1708537SM	1	SLEEVE, Clutch Anchor
21	1686882SM	1	CLUTCH, Electric, Kit
22	1960370SM	1	CAPSCREW, Hex Head, 7/16-20 x 2-1/2
23	1918199SM	1	LOCKWASHER, 7/16
24	1930598SM	2	CAPSCREW, Taptite, 3/8-16 x 1-1/2
25	1650670SM	1	GASKET, Muffler
26	1724466SM	1	PIPE, Exhaust
27	1936228SM	2	CAPSCREW, Socket Head, 5/16-18 x 3/4
28	1960748SM	1	CARRIAGE BOLT, 5/16-18 x 3-1/4
29	1676183SM	1	CLAMP, Muffler
30	1960568SM	2	CAPSCREW, Hex Head, 1/4-20 x 7/8
31	1724428ASM	1	SUPPORT, Muffler
32	1935255SM	1	SPEED NUT, 5/16-18
33	1708416SM	1	MUFFLER ASSEMBLY
34	1724427ASM	1	DUCT, L.H.
35	1713846SM	1	KNOB, Throttle
36	1714040SM	1	THROTTLE CONTROL ASSEMBLY
37	1960536SM	2	SCREW, Plastite, 1/4-10 x 1/2
38	1704344SM	1	CABLE, Choke Control
39	1726788SM	1	SCREW, Hex, Washer Head, B&S #94909
40	1726787SM	1	SCREW, Thread Forming W/Washer, B&S #95220
41	1708442SM	1	STOP, Throttle (Not Pictured, Export Models Only)
42	2157081SM	1	SPACER

### Footnotes

Note\* See your local Briggs & Stratton distributor for parts & service.

Note\*\* Key MUST be installed as shown to prevent damage to electric clutch.

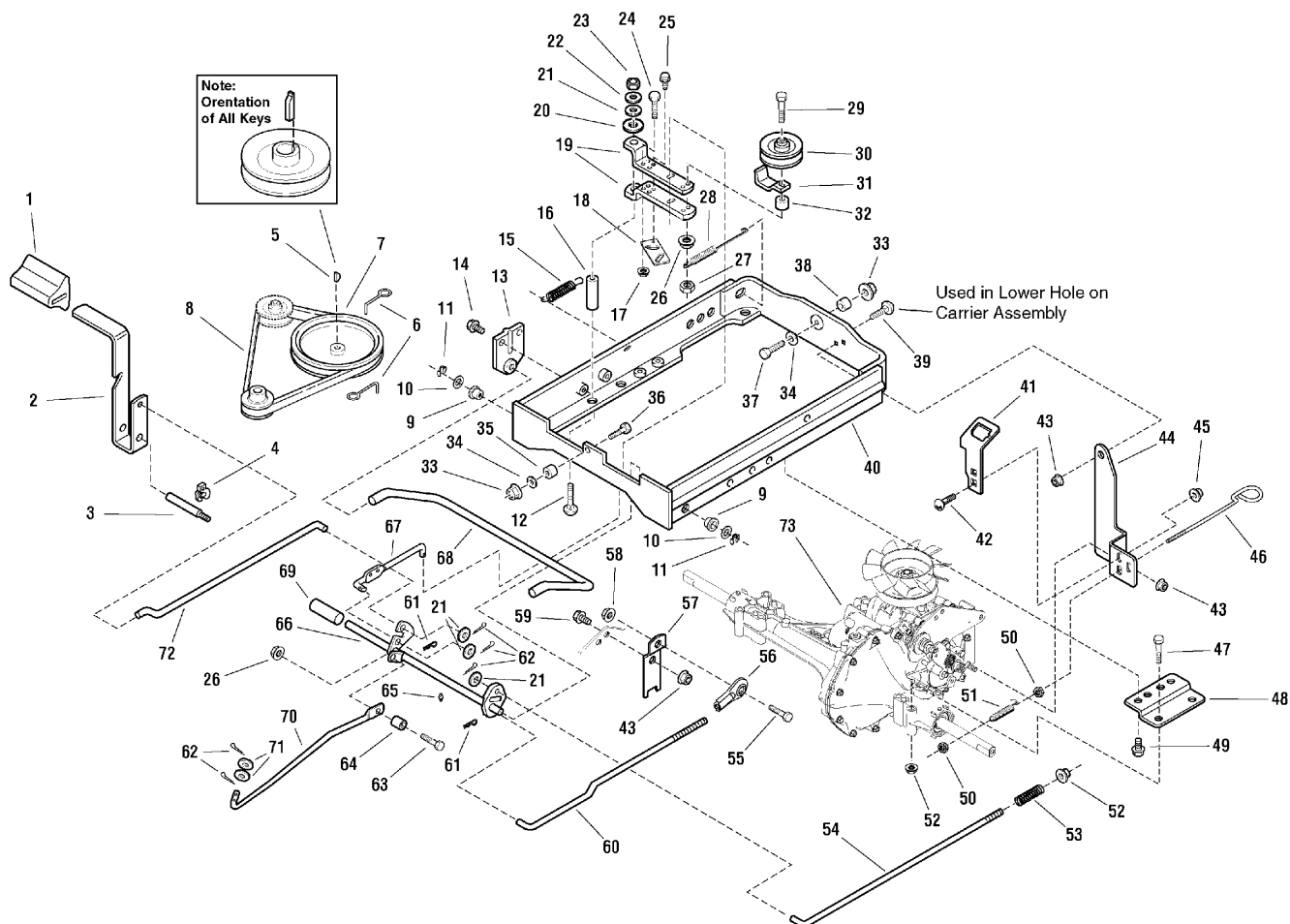
**The above parts group applies to the following Mfg. Nos.:**

1694510 - Coronet

# Transmission Group - Hydro-Gear 340-0510

986402

NOTE: Unless noted otherwise,  
use the standard hardware torque  
specification chart.



The above parts group applies to the following Mfg. Nos.:

- 1694462 - Coronet
- 1694463 - Coronet
- 1694464 - 2413H
- 1694510 - Coronet
- 1694536 - 2413

## Transmission Group - Hydro-Gear 340-0510

REF NO	PART NO.	QTY.	DESCRIPTION
1	1704849SM	1	PAD, Brake
2	1723348ASM	1	LEVER, Clutch
3	1708409SM	1	PIVOT, Brake
4	1708554SM	1	RING, Klipring Extension
5	2171241SM	1	KEY, Hi-Pro
6	1704419SM	2	STOP, Belt
7	1723497SM	1	PULLEY & HUB ASSEMBLY, Engine
8	1707346SM	1	V - BELT
9	1715025SM	2	BUSHING
10	1924361SM	2	WASHER, 1/2
11	1703805SM	1	RING, Klipring Extension
12	1931342SM	1	CARRIAGE BOLT, 5/16 - 18 x 2-1/4 G5
13	1708367SM	2	BRACKET, Torsion Bar
14	1924856SM	4	SCREW, Hex, Washer Head, Taptite, 5/16 - 18 x 1/2
15	2159106SM	1	SPRING, Extension
16	1709345SM	1	SPACER
17	1930641SM	1	NUT, Hex, Flange, 1/4 - 20, Whiz Lock LG
18	1725839ASM	1	PLATE, Idler 10GA
19	1709221SM	2	CLEVIS HALF
20	1924366SM	1	WASHER, 5/8
21	1919326SM	5	WASHER, 5/16
22	1917356SM	1	LOCKWASHER, Spring 5/16
23	1917372SM	1	NUT, Hex 5/16 - 18
24	1923341SM	1	CAPSCREW, Hex Head, 1/4 - 20 x 3/4 G5
25	1927429SM	1	SCREW, Hex, Washer Head, Taptite, 1/4 - 20 x 5/8
26	1928352SM	2	NUT, Hex Flange,, 3/8 - 16 Whiz Lock LG
27	1928731SM	1	NUT, Hex, Toplock, Jam, 3/8 - 16
28	1725250SM	1	SPRING, Extension
29	1922918SM	1	CAPSCREW, Hex Head, 3/8 - 16 x 3-1/4 G5
30	1668827SM	1	PULLEY
31	1708352ASM	1	GUARD, Spring
32	1725838SM	1	SPACER
33	1930644SM	1	, 1/2 - 13, Two-Way Lock
34	1924361SM	1	WASHER, 1/2
35	1719683SM	1	SPACER
36	1719682SM	1	CAPSCREW, Hex Head, 1/2 - 20 x 1-3/4 G8
37	1923114SM	1	CAPSCREW, Hex Head, 1/2 - 13 x 1 G5
38	1719725SM	1	SPACER
39	1931332SM	1	CARRIAGE BOLT, 5/16 - 18 x 5/8 G5
40	1726591ASM	1	CARRIER ASSEMBLY
41	1726554ASM	1	BRACKET, Switch Mounting (No-Mow Models Only)
42	1960252SM	2	CARRIAGE BOLT, 1/4 - 20 x 5/8 G5 (No-Mow Models Only)
43	1931277SM	3	NUT, Hex Flange, 5/16 - 18, Whiz Lock Small
44	1726555ASM	1	STRAP, Torque (No-Mow Models Only)

### Footnotes

---

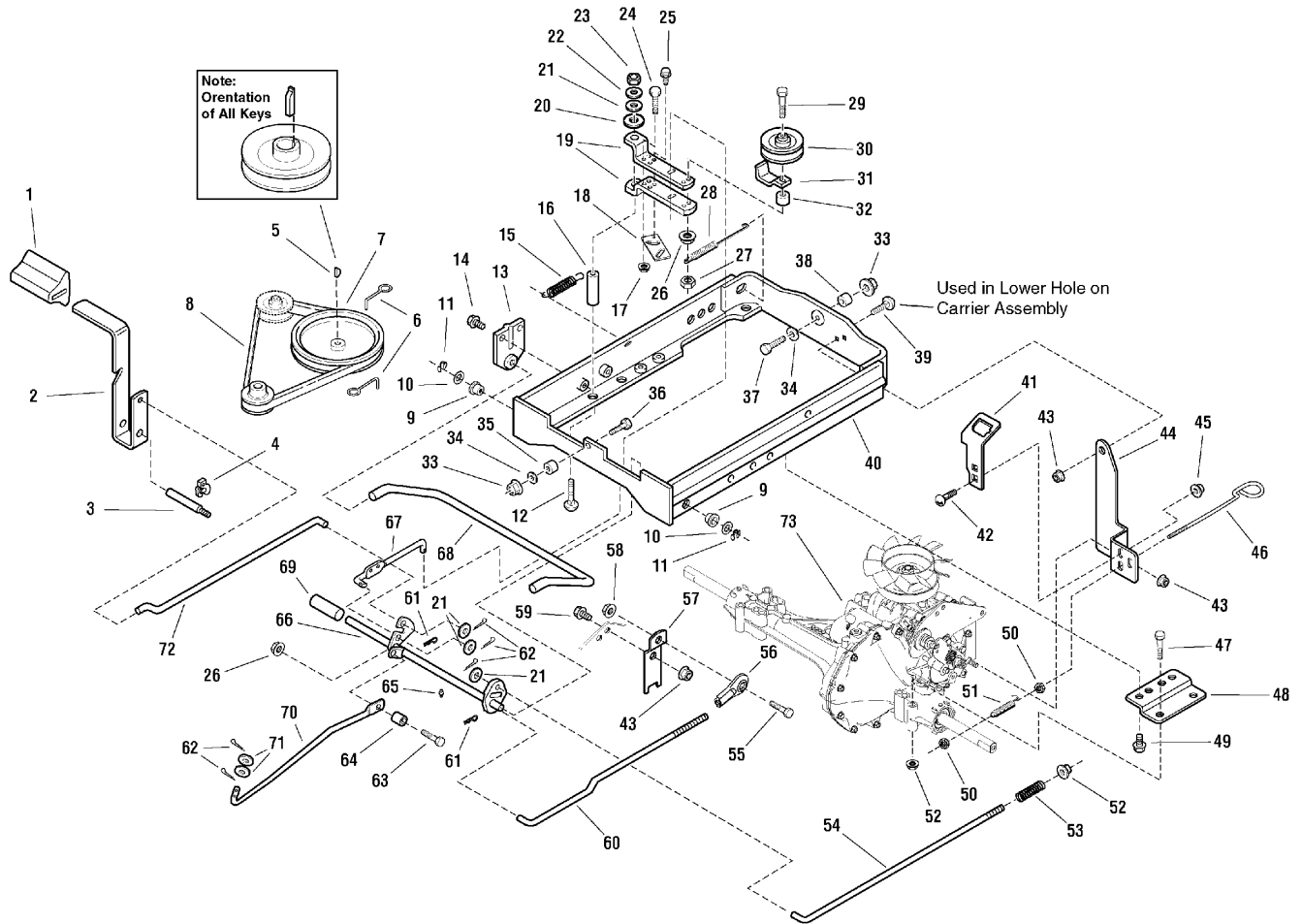
#### The above parts group applies to the following Mfg. Nos.:

1694462 - Coronet  
 1694463 - Coronet  
 1694464 - 2413H  
 1694510 - Coronet  
 1694536 - 2413

# Transmission Group - Hydro-Gear 340-0510

986402

NOTE: Unless noted otherwise,  
use the standard hardware torque  
specification chart.



The above parts group applies to the following Mfg. Nos.:

- 1694462 - Coronet
- 1694463 - Coronet
- 1694464 - 2413H
- 1694510 - Coronet
- 1694536 - 2413

## Transmission Group - Hydro-Gear 340-0510

REF NO	PART NO.	QTY.	DESCRIPTION
44	1726555ASM	1	STRAP, Torque
45	1960694SM	2	NUT, Hex Flange, 1/4 - 20 ESNA (No-Mow Models Only)
46	1725183SM	1	ROD
47	1921719SM	4	CAPSCREW, Hex Head, 5/16 - 18 x 2-1/2 G5
48	1725706ASM	2	BRACKET, Mounting
49	1664847SM	4	SCREW, Hex, Washer Head, Taptite, 5/16 - 18 x 3/4
50	1916621SM	2	NUT, Hex Machine Screw
51	1726327SM	1	SPRING, Extension
52	1935048SM	5	NUT, Hex Flange, 5/16 - 18, Two-Way Lock
53	1708360SM	1	SPRING
54	1725166SM	1	ROD, Brake
55	1921210SM	1	CAPSCREW, Hex Head, 3/8 - 16 x 1 G5
56	1726559SM	1	ROD, End
57	1725736ASM	1	LEVER, Control
58	1930645SM	1	NUT, Hex Flange, 3/8 - 16, Two-Way Lock
59	1925205SM	1	CAPSCREW, Hex Head, 5/16 - 18 x 5/8 G5
60	1725167SM	1	ROD, Control
61	1722460SM	2	PIN, Quick
62	1918447SM	6	PIN, Cotter
63	2860709SM	1	SCREW, Hex, Whiz Lock, Flange, 3/8 - 16 x 1-3/4
64	1666804SM	1	SPACER
65	2821133SM	1	FITTING, Lube, 1/4 Drive
66	1725768ASM	1	SHAFT & ARMS ASSEMBLY, Pivot
67	1709220SM	1	CLUTCH, Rear
68	1708366SM	1	BAR, Torsion
69	1709850SM	1	TUBE
70	1725767SM	1	ROD, Shift, Front
71	1924359SM	2	WASHER, 1/2
72	1706260SM	1	ROD, Clutch, Front
73	1725620SM	1	TRANSMISSION ASSEMBLY, Hydro Gear

### Footnotes

---

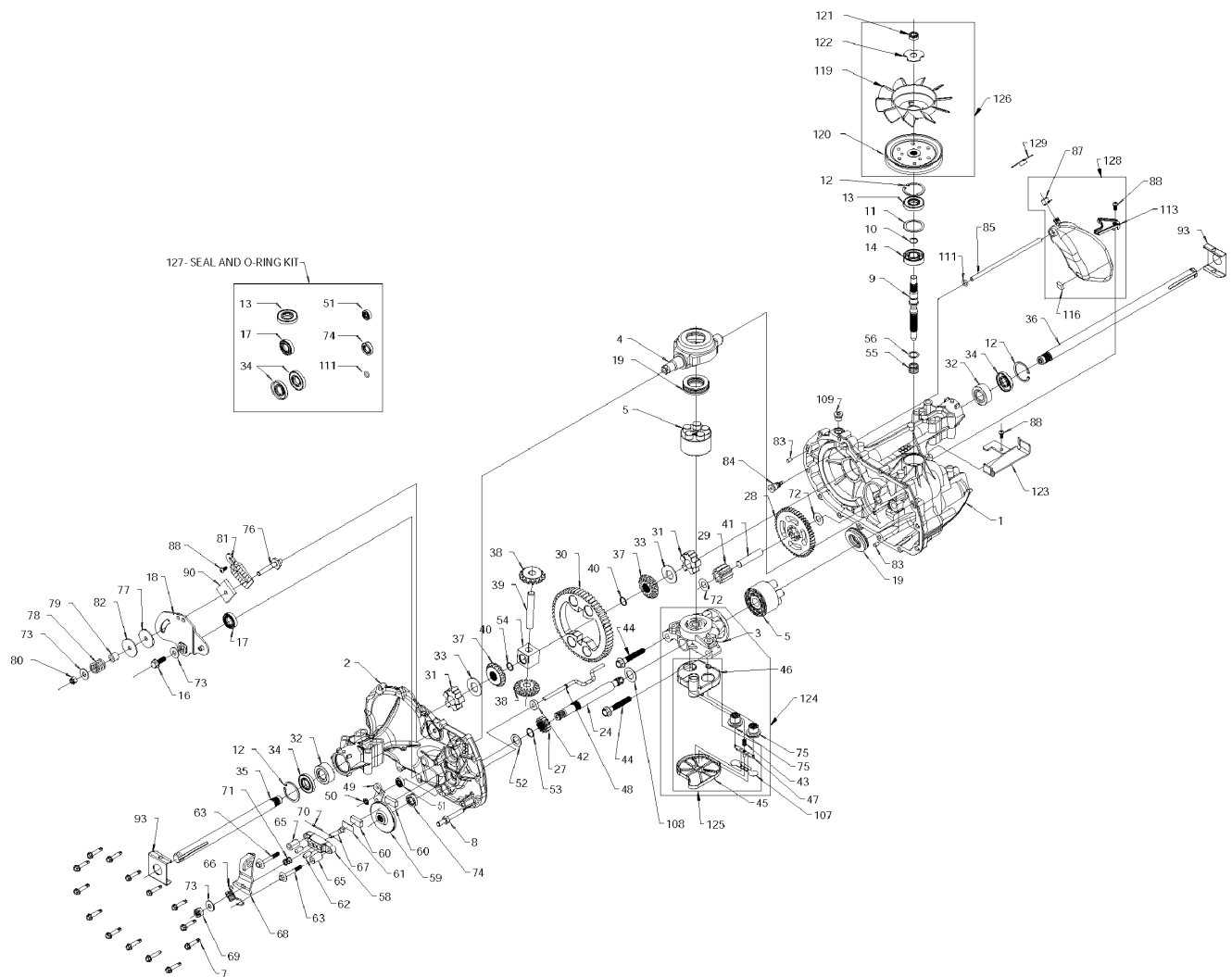
**The above parts group applies to the following Mfg. Nos.:**

1694462 - Coronet  
1694463 - Coronet  
1694464 - 2413H  
1694510 - Coronet  
1694536 - 2413

# Transmission SERVICE PARTS - Hydro-Gear 340-0510

1725620

**NOTE: Unless noted otherwise,  
use the standard hardware torque  
specification chart.**



**The above parts group applies to the following Mfg. Nos.:**

- 1694462 - Coronet
- 1694463 - Coronet
- 1694464 - 2413H
- 1694510 - Coronet
- 1694536 - 2413

## Transmission SERVICE PARTS - Hydro-Gear 340-0510

REF NO	PART NO.	QTY.	DESCRIPTION
1	*	1	MAIN HOUSING, ASSEMBLY
2	*	1	SIDE HOUSING, ASSEMBLY
3	*	1	CENTER SECTION, ASSEMBLY
4	*	1	SWASHPLATE, TRUNNION MACHINED
5	*	2	BLOCK - ASSEMBLY
6	*	10.5	SEALANT (Not Shown)
7	1730269SM	14	HEX FLANGE SCREW 1/4-20 X 1.25
8	1730270SM	1	STUD, 5/16-24 HEX DOUBLE END
9	1730271SM	1	SHAFT, INPUT
10	1715270SM	1	RING - RETAINING
11	1730272SM	1	SPACER
12	1730273SM	1	RING - RETAINING
13	**	1	SEAL, LIP .67 X 1.58 X .276
14	1730274SM	1	BALL BRG 17MM ID X 40MM OD X 12MM
16	1730275SM	1	HEX FLANGE HEAD SCREW 5/16-24 X 0.75
17	**	1	LIP SEAL 18 X 32 X 7
18	1730276SM	1	ARM, CONTROL
19	*	1	BEARING, 30X52X13 THRUST
24	*	1	SHAFT, MOTOR
27	*	1	GEAR - PINNION, 13T
28	*	1	10T/48T GEAR
29	*	1	GEAR, 10T JACKSHAFT
30	*	1	60T BULL GEAR
31	*	2	SLEEVE BEARING .75 X 1.750 X .625
32	1730277SM	2	SLEEVE BEARING (OUTBOARD) .75 X 1.575 X .625
33	*	2	WASHER, 3/4 ID X 1-1/2 OD X .13 THK
34	**	2	LIP SEAL AXLE SEAL
35	1730278SM	1	SHAFT, AXLE .75 x 11.39 (KEY, R.H.)
36	1730279SM	1	SHAFT, AXLE .75 X 16.99 (KEY, L.H.)
37	*	2	MITER GEAR (SPLINED)
38	*	2	MITER GEAR 15T (0.5 ID)
39	*	1	SHAFT
40	*	2	RING, SPIRAL RETAINING
41	*	1	PIN, JACKSHAFT
42	*	1	MAGNET, RING
43	*	1	SPRING, BYPASS
44	*	2	BOLT, HEX FLANGE 3/8-24 X 2.5
45	*	1	BOTTOM, FILTER
46	*	1	BASE, FILTER W/POPPET
47	*	1	ACTUATOR, BYPASS
48	*	1	ROD, BYPASS ACTUATOR
49	1730280SM	1	ARM, BYPASS
50	1730281SM	1	RETAINING RING .250 EXTERNAL
51	**	1	SEAL, LIP .741 X .250 x .250 TC

### Footnotes

Note\* Not serviced seperately, order complete transmission.

Note\* Not serviced seperately, order complete transmission.

### The above parts group applies to the following Mfg. Nos.:

1694462 - Coronet  
 1694463 - Coronet  
 1694464 - 2413H  
 1694510 - Coronet  
 1694536 - 2413





## Transmission SERVICE PARTS - Hydro-Gear 340-0510

REF NO	PART NO.	QTY.	DESCRIPTION
52	*	1	FLAT WASHER, 5/8 ID X 1.0 OD X .05 THK
53	*	1	RETAINING RING
54	*	1	BEARING, CENTER BLOCK
55	1715171SM	1	SPRING - HELICAL COMPRESSION
56	1715172SM	1	WASHER
57		78.8	20W-50 OIL (Not Shown)
58	1730282SM	1	BRAKE YOKE
59	1730283SM	1	ROTOR, BRAKE
60	1706146SM	2	BRAKE PUCK
61	1706145SM	1	PUCK PLATE
62	1706141SM	2	BRAKE ACTUATING PIN
63	1730284SM	2	HFHCS 1/4-20 X 2 W/PATCH
65	1715199SM	2	SPACER
66	1730285SM	1	SPRING, BRAKE ARM BIAS
67	1706160SM	1	SQ.HD.BOLT 5/16-24- RIBBED
68	1730286	1	ARM, BRAKE
69	1714431SM	1	SLOTTED HEX NUT 5/16-24
70	1730287	1	COTTER PIN 3/32 X 3/4
71	1730288	1	SPRING, COMPRESSION
72	*	2	WASHER, HT .5 X 1 X .032
73	1730289	3	FLAT - WASHER 11/32 I.D. X 7/8 O.D
74	**	1	OIL SEAL .625 X 1.0 X.25
75	*	2	CHECK PLUG ASSEMBLY, .027, WASHER
76	1714741SM	1	STUD, 5/16-24 FRICTION PACK
77	1730290	1	PUCK, .330 X 1.50 X .0975
78	1714739SM	1	SPRING, HELICAL COMP
79	1714740SM	1	SPACER
80	1715178SM	1	HEX LOCK NUT 5/16-24 UNJF
81	1730291	1	WEDGE, FRICTION PACK
82	1730292	1	WASHER .316 X 1.50 X .1046 (PLATED)
83	*	2	PIN, STANDARD HEADLESS
84	*	1	FITTING, 5/16 SAE 5/32 TUBE
85	1730293	1	HOSE, EXPANSION TANK
87	1730294	1	CAP, VENT
88	1714742SM	3	BOLT, SELF TAPPING 10-32 X 1/2
90	1730295	1	PUCK, INNER WEDGE
93	1730296	2	SPRING CLIP - HOUSING THRUST
107	*	1	DEFLECTOR
108	*	1	WASHER, .71 X 1.16 X .030 THK
109	1730297	1	PLUG, SAE #6
111	**	1	O-RING .07 X .301 ID
113	1730298	1	BRACKET,SUPPORT EXPANSION TANK
116	1730299	1	SILICON SPONGE
119	1730300SM	1	FAN 6" 10 BLADE
120	1730301	1	PULLEY 3.86

### Footnotes

Note\* Not serviced seperately, order complete transmission.

Note\* Not serviced seperately, order complete transmission.

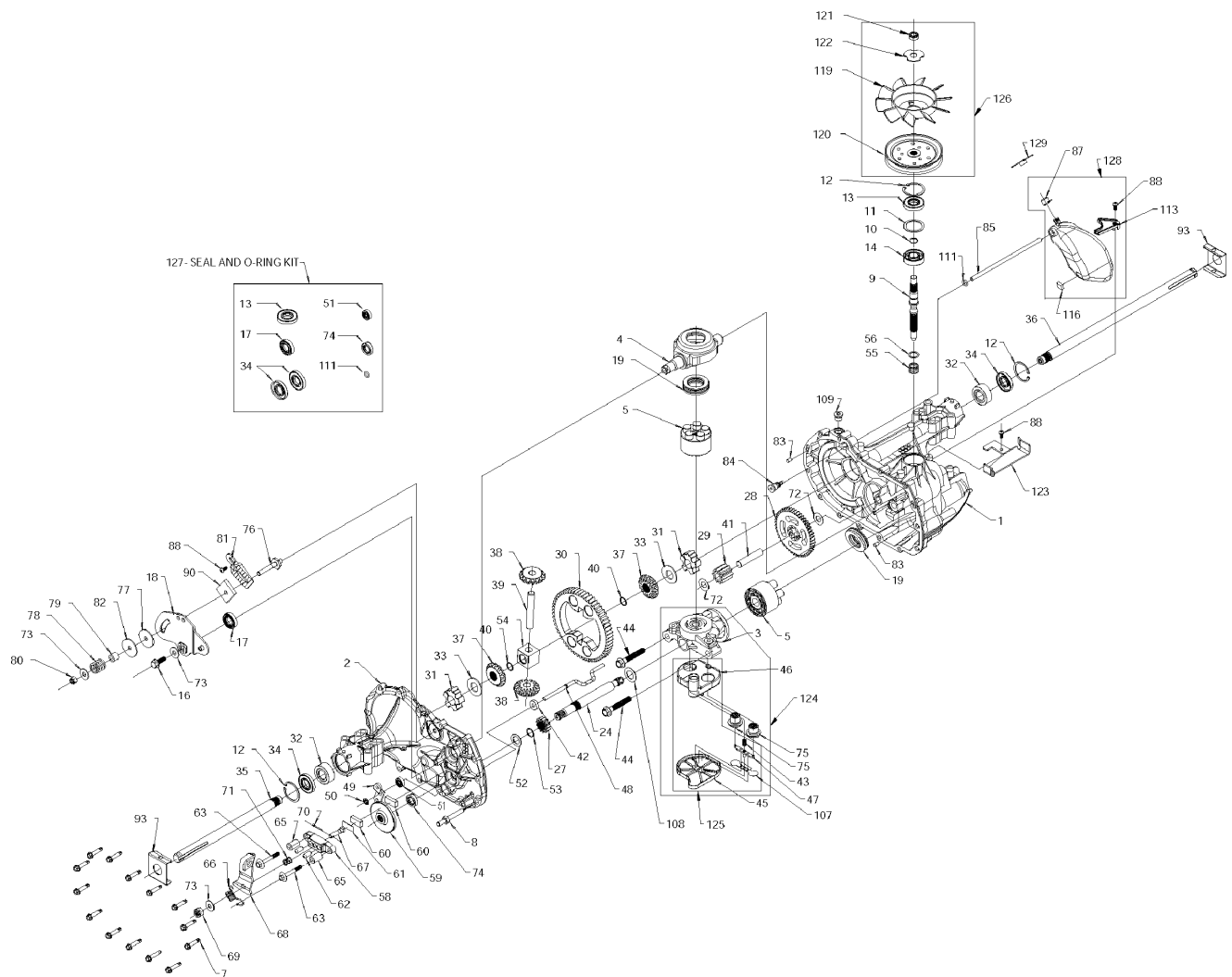
### The above parts group applies to the following Mfg. Nos.:

1694462 - Coronet  
1694463 - Coronet  
1694464 - 2413H  
1694510 - Coronet  
1694536 - 2413

# Transmission SERVICE PARTS - Hydro-Gear 340-0510

1725620

**NOTE: Unless noted otherwise,  
use the standard hardware torque  
specification chart.**



**The above parts group applies to the following Mfg. Nos.:**

- 1694462 - Coronet
- 1694463 - Coronet
- 1694464 - 2413H
- 1694510 - Coronet
- 1694536 - 2413

## **Transmission SERVICE PARTS - Hydro-Gear 340-0510**

<b>REF NO</b>	<b>PART NO.</b>	<b>QTY.</b>	<b>DESCRIPTION</b>
121	1730302	1	NUT, HEX LOCK 1/2-20 (NYLON INSERT)
122	1730303	1	WASHER, OD SLOTTED .53 X 1.63 X .06
123	1730304	1	BELT KEEPER
124	*	1	CENTER SECTION - FILTER - BYPASS ASSEMBLY (Incl Ref No 3, 43, 45, 46, 47, 75 & 107)
125	*	1	FILTER ASSEMBLY (Incl Ref No 43, 45, 46, 47 & 107)
126	1730305	1	KIT, FAN/PULLEY (Incl Ref No 13, 17, 34, 51, 74 & 111)
127	1730306	1	SEAL - O-RING KIT (Incl Ref No 13, 17, 34, 51, 74 & 111)
128	1730307SM	1	KIT, EXPANSION TANK (Incl Ref No 87, 88, 113 & 116)
129	1730308	1	CAP, EXPANSION TANK SHIPPING

### **Footnotes**

Note\* Not serviced separately, order complete transmission.

Note\* Not serviced separately, order complete transmission.

---

### **The above parts group applies to the following Mfg. Nos.:**

1694462 - Coronet

1694463 - Coronet

1694464 - 2413H

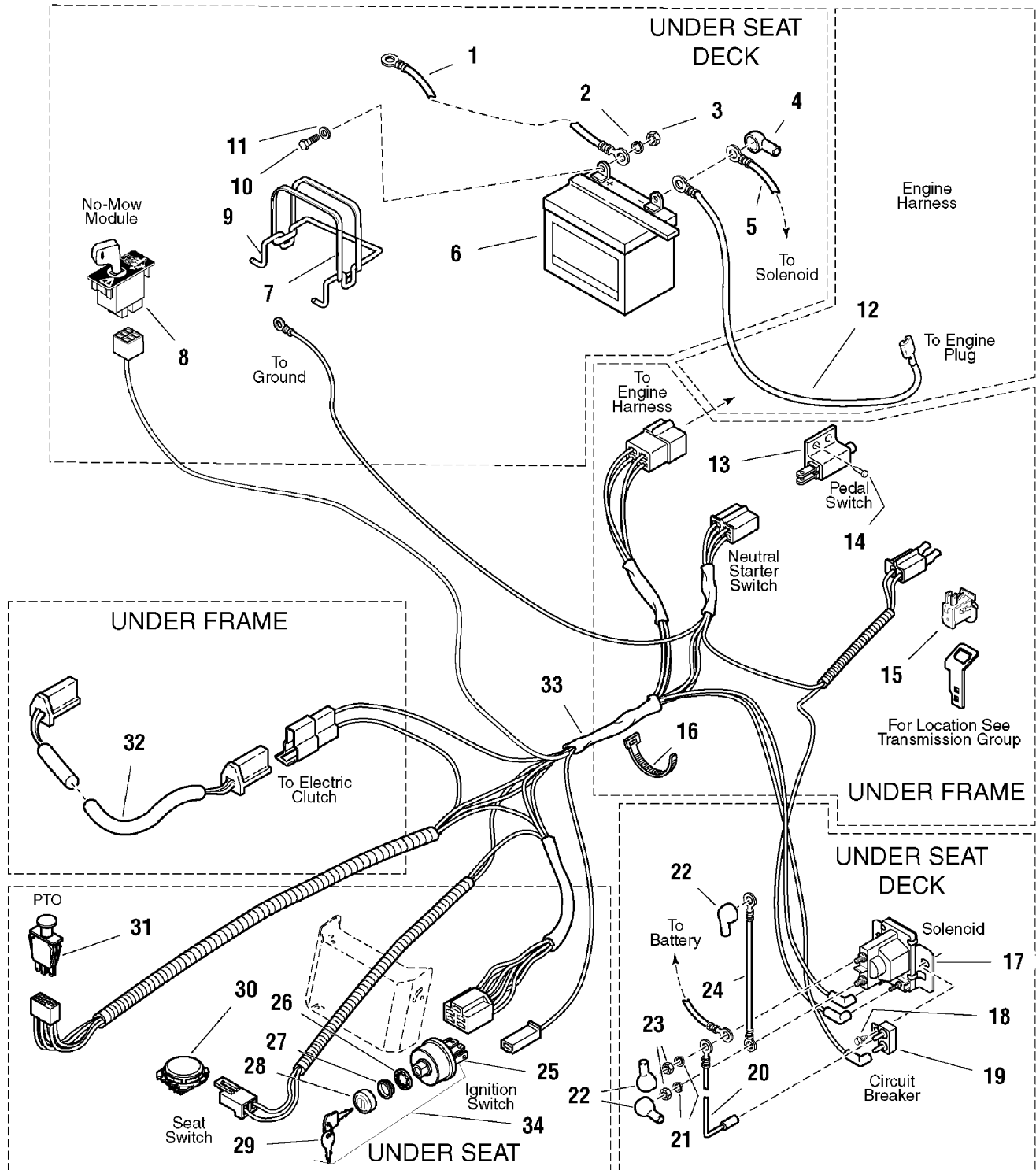
1694510 - Coronet

1694536 - 2413

# Electrical Group

985431

**NOTE:** Unless noted otherwise, use the standard hardware torque specification chart.



The above parts group applies to the following Mfg. Nos.:

1694463 - Coronet

1694464 - 2413H

## Electrical Group

REF NO	PART NO.	QTY.	DESCRIPTION
1	1733112SM	1	CABLE, Battery to Ground
2	2816964SM	2	WASHER, Lock, 1/4
3	2816622SM	2	NUT, Hex 1/4-20
4	1709086SM	1	BOOT, Insulator
5	1727668SM	1	CABLE, Battery to Solenoid
6	1685215SM	1	BATTERY
7	1665872SM	1	STRAP, Battery
8	1726556SM	1	NO-MOW MODULE (RMO Models Only)
9	1667805SM	1	BRACE, Battery
10	2823341SM	2	CAPSCREW, Hex Head, 1/4-20 x 3/4
11	2821319SM	2	WASHER
12	1718952SM	1	WIRE ASSEMBLY, 16GA
13	1717050SM	1	SWITCH, Neutral Start
14	1722035SM	2	POP-RIVET
15	1732004SM	1	SWITCH, Push Button (N.O.) (RMO Models Only)
16	1701011SM	2	TIE, Self-Locking
17	1686981SM	1	SOLENOID
18	1925003SM	2	CAPSCREW, Hex Head, Taptite, 1/4-20 x 1/2
19	1665238SM	1	CIRCUIT BREAKER
20	1665237SM	1	WIRE ASSEMBLY
21	1917356SM	1	LOCKWASHER, 5/16
22	2122023SM	3	COVER, Terminal
23	2820263SM	2	NUT, Hex, 5/16-24
24	1709088SM	1	CABLE, Solenoid to Starter
25	**	1	SWITCH, Ignition (6 pole)
26	1960547SM	1	WASHER, Internal Tooth, 5/8
27	1717549SM	1	NUT
28	1717550SM	1	COVER, Keyswitch
29	1717163SM	1	KEYS (Set of 2 Keys)
30	1718981SM	1	SWITCH, Seat
31	1722887SM	1	* SWITCH, PTO, Electric Clutch
32	1726667SM	1	WIRE HARNESS, Clutch (RMO Models Only)
32	1724873SM	1	WIRE HARNESS, Clutch
33	1726654SM	1	HARNESS, Wiring (RMO Models Only)
33	1718946SM	1	HARNESS, Wiring
34	1686734SM	1	IGNITION KEY SWITCH ASSEMBLY

### Footnotes

Note\* If connection blades do not line up use 1686620 Switch Kit. (Contains switch, adaptor & instruction sheet.)

Note\*\* See reference number 41. Sold as assembly.

---

### The above parts group applies to the following Mfg. Nos.:

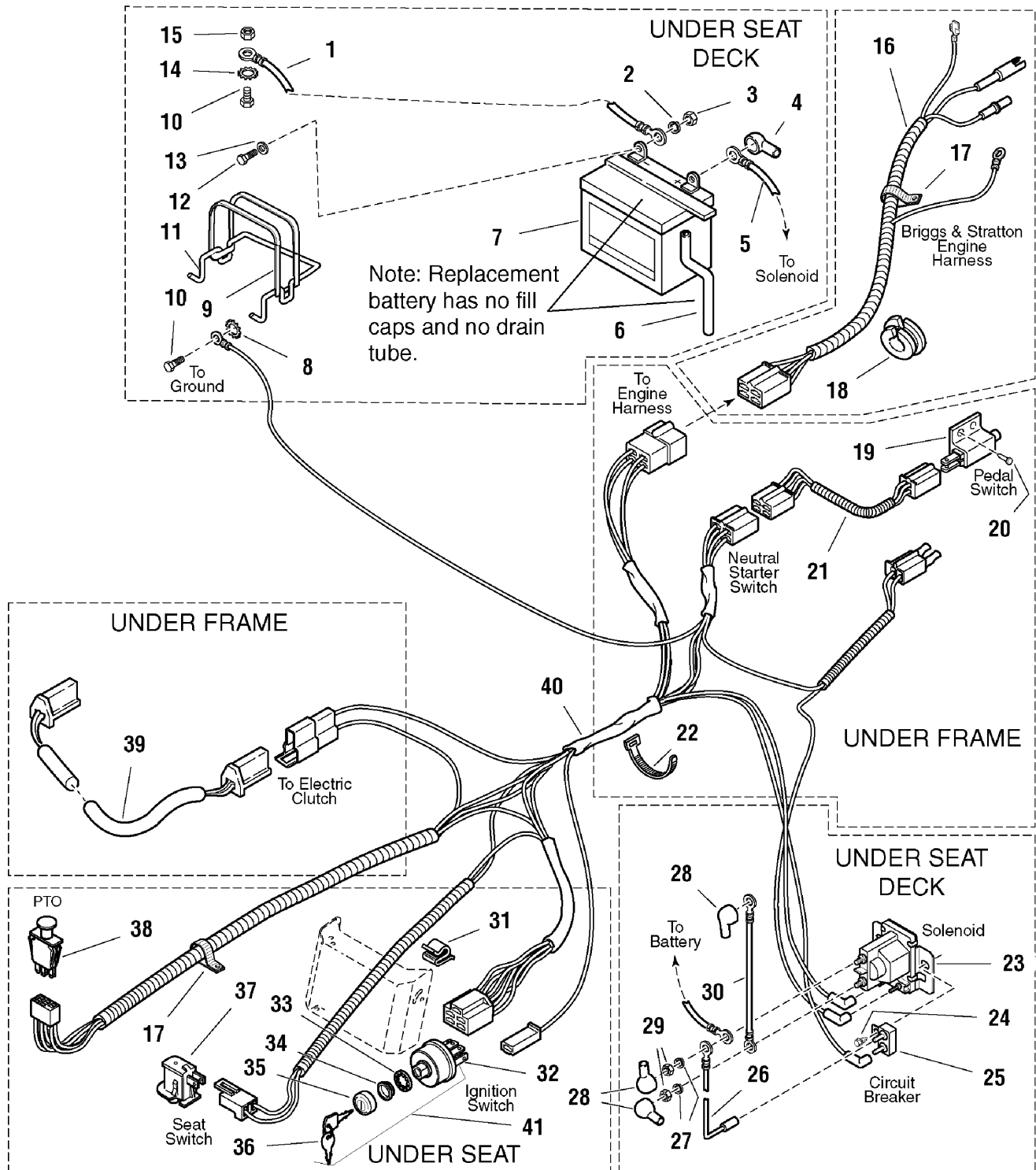
1694463 - Coronet

1694464 - 2413H

# Electrical Group

985433

**NOTE:** Unless noted otherwise, use the standard hardware torque specification chart.



The above parts group applies to the following Mfg. Nos.:

- 1694462 - Coronet
- 1694510 - Coronet

## Electrical Group

REF NO	PART NO.	QTY.	DESCRIPTION
1	1707056SM	1	CABLE, Battery to Ground
2	2816964SM	2	WASHER, Lock, 1/4
3	2816622SM	2	NUT, Hex 1/4-20
4	1709086SM	1	BOOT, Insulator
5	1727668SM	1	CABLE, Battery to Solenoid (Kohler Models)
5	1713163SM	1	CABLE, Battery to Solenoid (Briggs & Stratton Models)
6	1612103SM	1	TUBE, Vent (Early Models Only)
7	1685215SM	1	BATTERY
8	2820426SM	1	WASHER, Lock, External Tooth, 5/16
9	1665872SM	1	STRAP, Battery
10	1950018SM	2	CAPSCREW, Metric, M08-1.25 x 20 mm
11	1667805SM	1	BRACE, Battery
12	2823341SM	2	CAPSCREW, Hex Head, 1/4-20 x 3/4
13	2821319SM	2	WASHER
14	2820427SM	1	WASHER, Lock, External Tooth, 3/8
15	2816950SM	1	NUT, Hex, 3/8-16
16	1718948SM	1	WIRE ASSEMBLY, Harness to Engine (Briggs & Stratton Only)
17	1704873SM	2	CLAMP, Wire (11 HP B&S 5-Speed Only)
18	1676648SM	1	GROMMET (11 HP 5-Speed Models Only)
19	1717050SM	1	SWITCH, Neutral Start
20	1722035SM	2	POP-RIVET
21	1718949SM	1	WIRE ASSEMBLY, Neutral Switch (11 HP Coronet Only)
22	1701011SM	2	TIE, Self-Locking
23	1686981SM	1	SOLENOID
24	1925003SM	2	CAPSCREW, Hex Head, Taptite, 1/4-20 x 1/2
25	1665238SM	1	CIRCUIT BREAKER
26	1665237SM	1	WIRE ASSEMBLY
27	1917356SM	1	LOCKWASHER, 5/16
28	2122023SM	3	COVER, Terminal
29	2820263SM	2	NUT, Hex, 5/16-24
30	1709088SM	1	CABLE, Solenoid to Starter
31	1715956SM	2 (1)	CLIP (14 HP Hydro Qty=1)
32	**	1	SWITCH, Ignition (6 pole)
33	1960547SM	1	WASHER, Internal Tooth, 5/8
34	1717549SM	1	NUT
35	1717550SM	1	COVER, Keyswitch
36	1717163SM	1	KEYS (Set of 2 Keys)
37	1718981SM	1	SWITCH, Seat
38	1722887SM	1	* SWITCH, PTO, Electric Clutch
39	1724873SM	1	WIRE ASSEMBLY, Clutch
40	1718946SM	1	HARNESS, Wiring
41	1686734SM	1	IGNITION KEY SWITCH ASSEMBLY

### Footnotes

Note\* If connection blades do not line up use 1686620 Switch Kit. (Contains switch, adaptor & instruction sheet.)

Note\*\* See reference number 41. Sold as assembly.

---

### The above parts group applies to the following Mfg. Nos.:

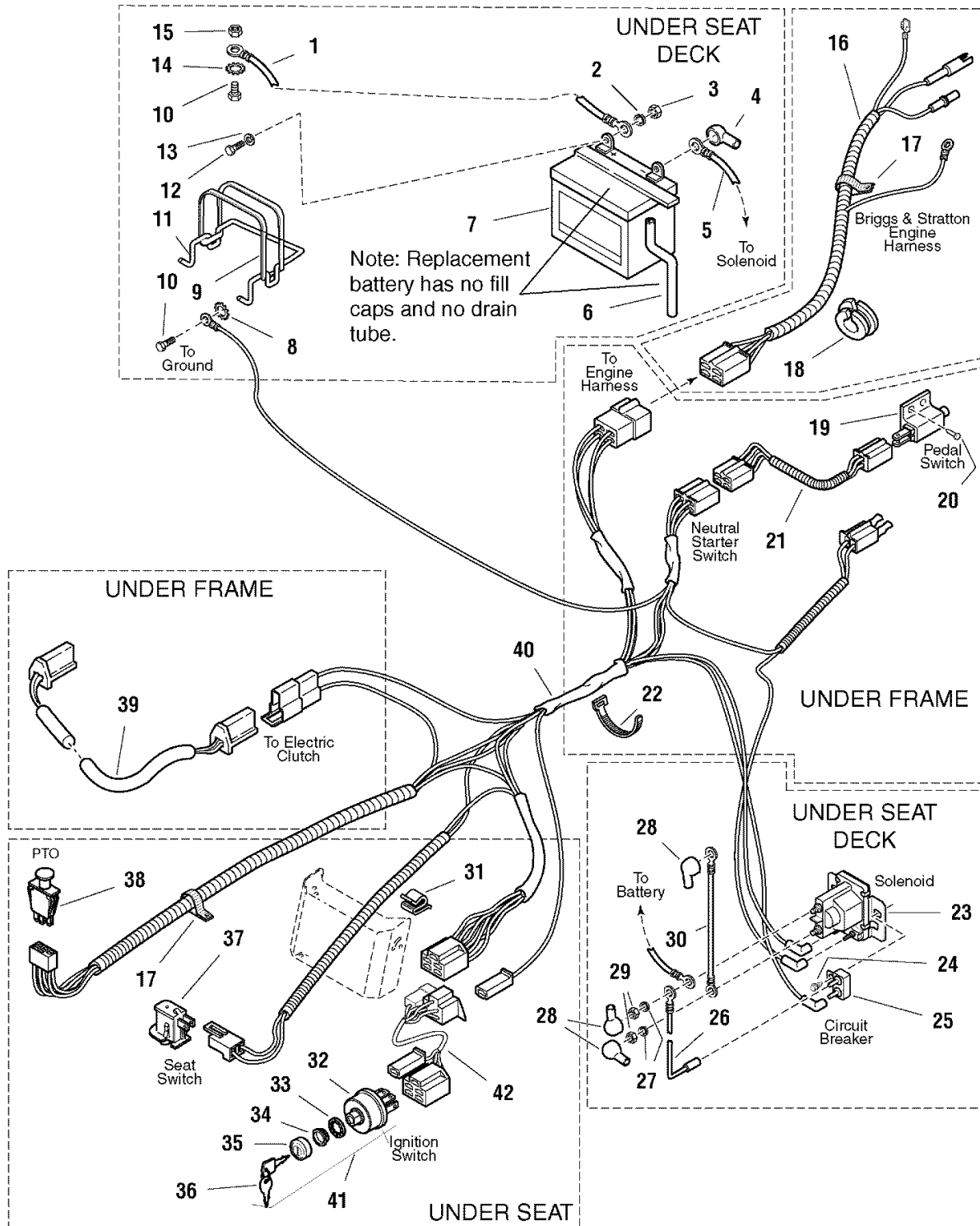
1694462 - Coronet

1694510 - Coronet

# Electrical Group

986569

**NOTE:** Unless noted otherwise, use the standard hardware torque specification chart.



The above parts group applies to the following Mfg. Nos.:  
1694536 - 2413



## Electrical Group

REF NO	PART NO.	QTY.	DESCRIPTION
1	1707056SM	1	CABLE, Battery to Ground
2	2816964SM	2	WASHER, Lock, 1/4
3	2816622SM	2	NUT, Hex 1/4-20
4	1709086SM	1	BOOT, Insulator
5	1707056SM	1	CABLE, Battery to Solenoid (Kohler Models)
5	1713163SM	1	CABLE, Battery to Solenoid (Briggs & Stratton Models)
6	1612103SM	1	TUBE, Vent (Early Models Only)
7	1685215SM	1	BATTERY
8	2820426SM	1	WASHER, Lock, External Tooth, 5/16
9	1665872SM	1	STRAP, Battery
10	1950018SM	2	CAPSCREW, Metric, M08-1.25 x 20 mm
11	1667805SM	1	BRACE, Battery
12	2823341SM	2	CAPSCREW, Hex Head, 1/4-20 x 3/4
13	2821319SM	2	WASHER
14	2820427SM	1	WASHER, Lock, External Tooth, 3/8
15	2816950SM	1	NUT, Hex, 3/8-16
16	1718948SM	1	WIRE ASSEMBLY, Harness to Engine (Briggs & Stratton Only)
17	1704873SM	2	CLAMP, Wire (11 HP B&S 5-Speed Only)
18	1676648SM	1	GROMMET (11 HP 5-Speed Models Only)
19	1717050SM	1	SWITCH, Neutral Start
20	1722035SM	2	POP-RIVET
21	1718949SM	1	WIRE ASSEMBLY, Neutral Switch (11 HP Coronet Only)
22	1701011SM	2	TIE, Self-Locking
23	1686981SM	1	SOLENOID
24	1925003SM	2	CAPSCREW, Hex Head, Taptite, 1/4-20 x 1/2
25	1665238SM	1	CIRCUIT BREAKER
26	1665237SM	1	WIRE ASSEMBLY
27	1917356SM	1	LOCKWASHER, 5/16
28	2122023SM	3	COVER, Terminal
29	2820263SM	2	NUT, Hex, 5/16-24
30	1709088SM	1	CABLE, Solenoid to Starter
31	1715956SM	2 (1)	CLIP (14 HP Hydro Qty=1)
32	**	1	SWITCH, Ignition (6 pole)
33	1960547SM	1	WASHER, Internal Tooth, 5/8
34	1717549SM	1	NUT
35	1717550SM	1	COVER, Keyswitch
36	1717163SM	1	KEYS (Set of 2 Keys)
37	1718981SM	1	SWITCH, Seat
38	1716332SM	1	* SWITCH, PTO, Electric Clutch If connection blades do not line up use 1686620 Switch Kit. (Contains switch, adaptor & instruction sheet.)
39	1724873SM	1	WIRE ASSEMBLY, Clutch
40	1718946SM	1	HARNESS, Wiring
41	1686734SM	1	IGNITION KEY SWITCH ASSEMBLY
42	1726854SM	1	HARNESS, Wiring Extension

### Footnotes

Note\*\* See reference number 41. Sold as assembly.

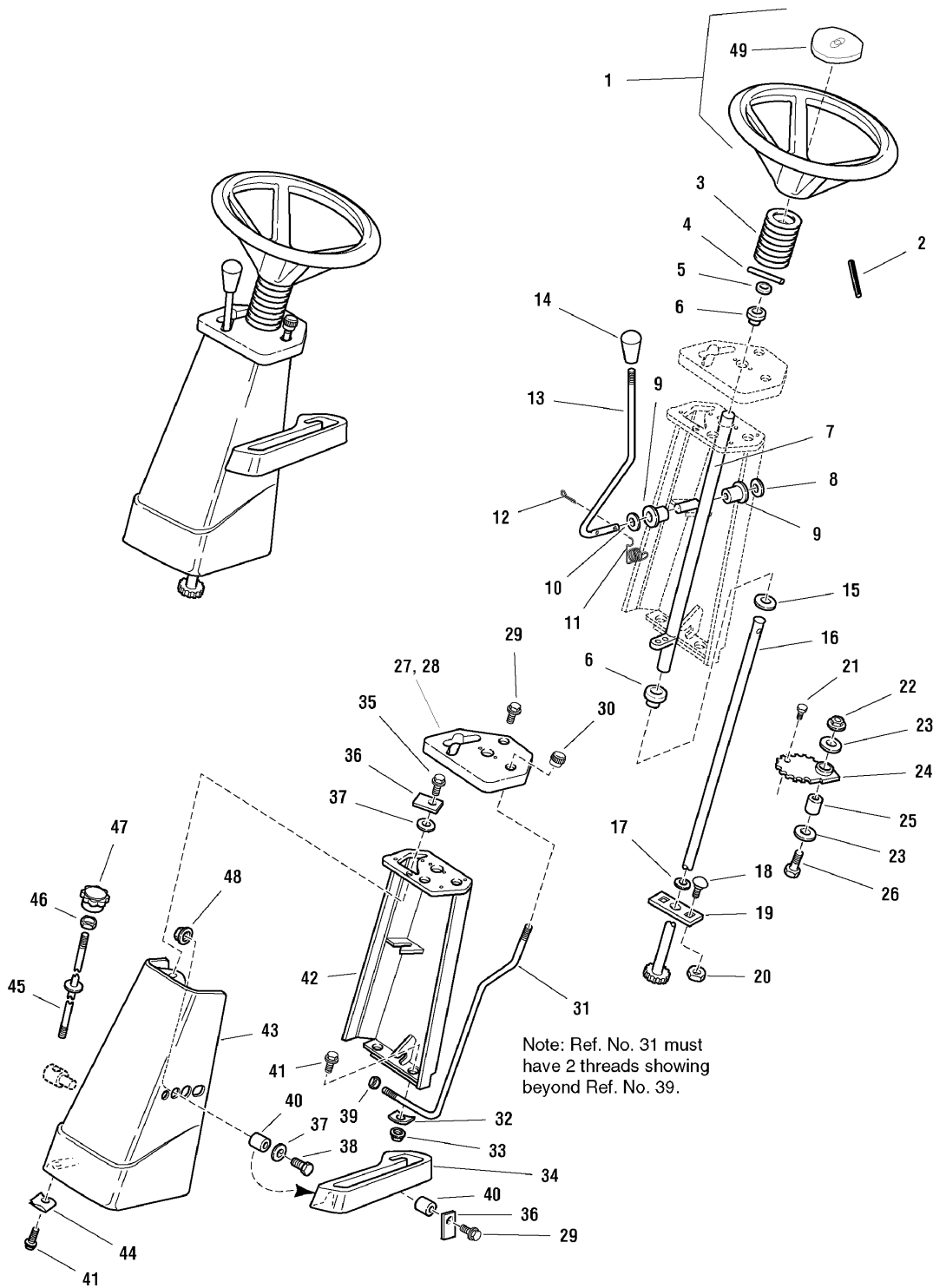
The above parts group applies to the following Mfg. Nos.:

1694536 - 2413

# Front Column & Dash Group

984685

**NOTE:** Unless noted otherwise,  
use the standard hardware torque  
specification chart.



**The above parts group applies to the following Mfg. Nos.:**

- 1694462 - Coronet
- 1694463 - Coronet
- 1694464 - 2413H
- 1694510 - Coronet
- 1694536 - 2413

## Front Column & Dash Group

REF NO	PART NO.	QTY.	DESCRIPTION
1	1713841SM	1	STEERING WHEEL ASSEMBLY (Includes Ref. No. 49)
2	1960540SM	1	ROLL PIN
3	1678381SM	1	TUBE, Steering
4	2816001SM	1	PIN
5	1960160SM	3	WASHER, 49/64
6	2176440SM	2	BUSHING
7	1709229SM	1	TUBE ASSEMBLY, Shift
8	1960170SM	2	WASHER
9	1704428SM	2	BUSHING
10	1924361SM	1	WASHER, Plain, 17/32 x 1-1/4 x 7/64
11	1707424SM	1	SPRING, Torsion
12	1918447SM	2	COTTER PIN
13	1707375SM	1	ROD, Shift
14	1713843SM	1	KNOB, Rod, Shift
15	1960114SM	1	WASHER, Plain, 11/32 x 1 x 1/8
16	1706014SM	1	SHAFT ASSEMBLY, Steering
17	2173668SM	1	WASHER, Plain
18	1931350SM	2	CARRIAGE BOLT, 3/8-16 x 1
19	1703508ASM	1	PLATE, Steering Mounting
20	1928352SM	2	NUT, Hex, 3/8-16
21	1921221SM	1	CAPSCREW, Hex Head, 5/16-18 x 1-1/2
22	1960339SM	1	NUT, Hex, Flange Lock, 3/8-16
23	1924356SM	3	WASHER, 13/32 x 1-1/2 x 1/8
24	1708426SM	1	GEAR, Steering
25	1666332SM	1	SPACER
26	1923701SM	1	CAPSCREW, Hex Head, 3/8-16 x 2
27	1714081SM	1	DASH, Hydro
28	1714082SM	1	DASH, Gear
29	1925592SM	3	CAPSCREW, Hex, Flange, Taptite, 1/4-20 x 3/4
30	1713855SM	1	KNOB, Rod, Parking Brake
31	1707057SM	1	ROD, Parking Brake
32	1933988SM	2	PUSH NUT, 5/16
33	1931277SM	2	NUT, Hex, Flange, Whizlock, 5/16-18
34	1708965SM	1	QUADRANT, Lift
35	1925003SM	3	CAPSCREW, Hex Head, Taptite, 1/4-20 x 1/2
36	1709075SM	2	CLAMP
37	1921319SM	2	WASHER, Plain, 1/4
38	1924009SM	2	CAPSCREW, Hex Head, 1/4-20 x 7/8
39	1960608SM	1	NUT, Hex, Flange Centerlock, 1/4-20
40	1678392SM	3	SPACER, 17/64 x 3/8 x 21/64
41	1930591SM	6	CAPSCREW, Hex Head, Whizlock, 5/16-18 x 3/4
42	1708990ASM	1	SUPPORT, Steering
43	1708267CSM	1	SHROUD, Front (Orange)
43	1708267DSM	1	SHROUD, Front (Red)

### Footnotes

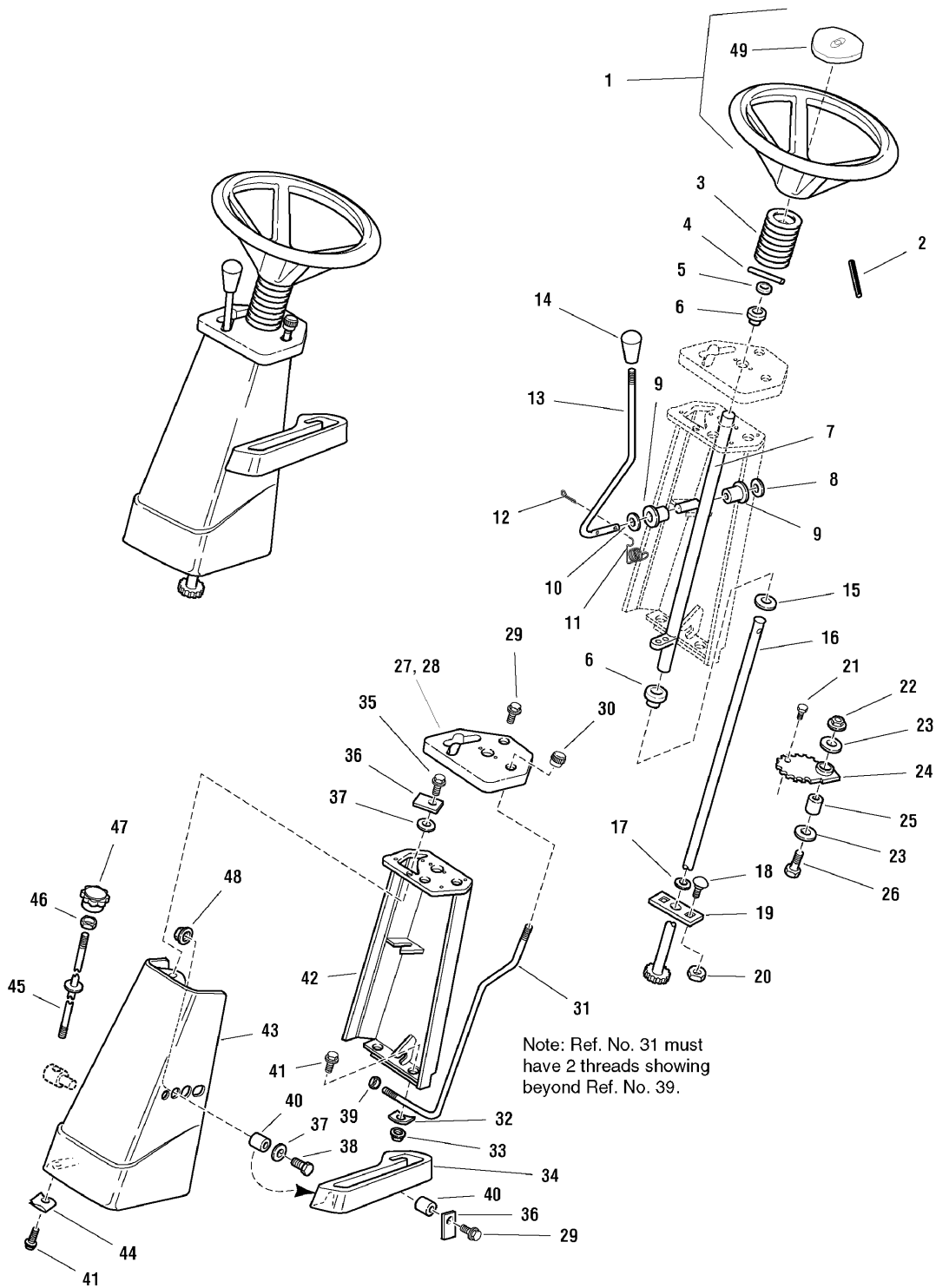
**The above parts group applies to the following Mfg. Nos.:**

1694462 - Coronet  
 1694463 - Coronet  
 1694464 - 2413H  
 1694510 - Coronet  
 1694536 - 2413

# Front Column & Dash Group

984685

NOTE: Unless noted otherwise,  
use the standard hardware torque  
specification chart.



The above parts group applies to the following Mfg. Nos.:

- 1694462 - Coronet
- 1694463 - Coronet
- 1694464 - 2413H
- 1694510 - Coronet
- 1694536 - 2413

## **Front Column & Dash Group**

---

<b>REF NO</b>	<b>PART NO.</b>	<b>QTY.</b>	<b>DESCRIPTION</b>
44	1935255SM	4	PAL NUT, 5/16-18
45	1708971SM	1	ROD, Lift Height
46	1917421SM	2	NUT, Hex, Jam, 1/4-20
47	1713857SM	1	KNOB, Rod, Lift Height
48	1930641SM	2	NUT, Hex, Flange, Whizlock, 1/4-20
49	1714097SM	1	CAP

### **Footnotes**

---

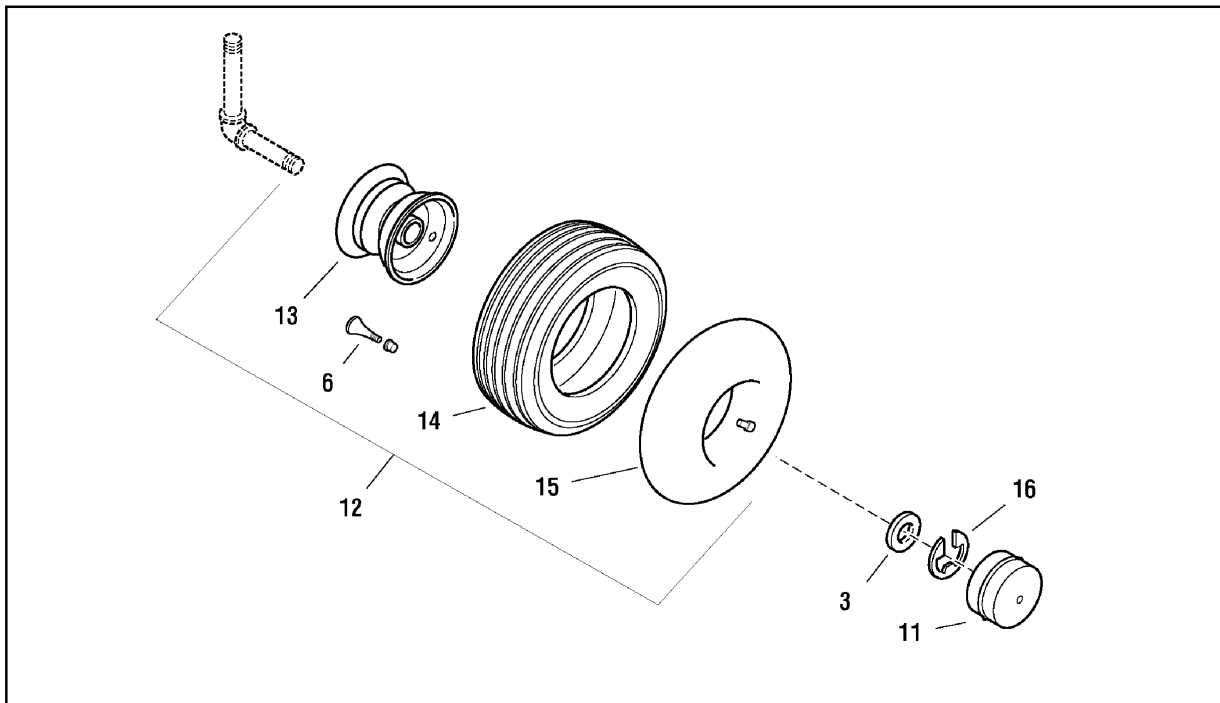
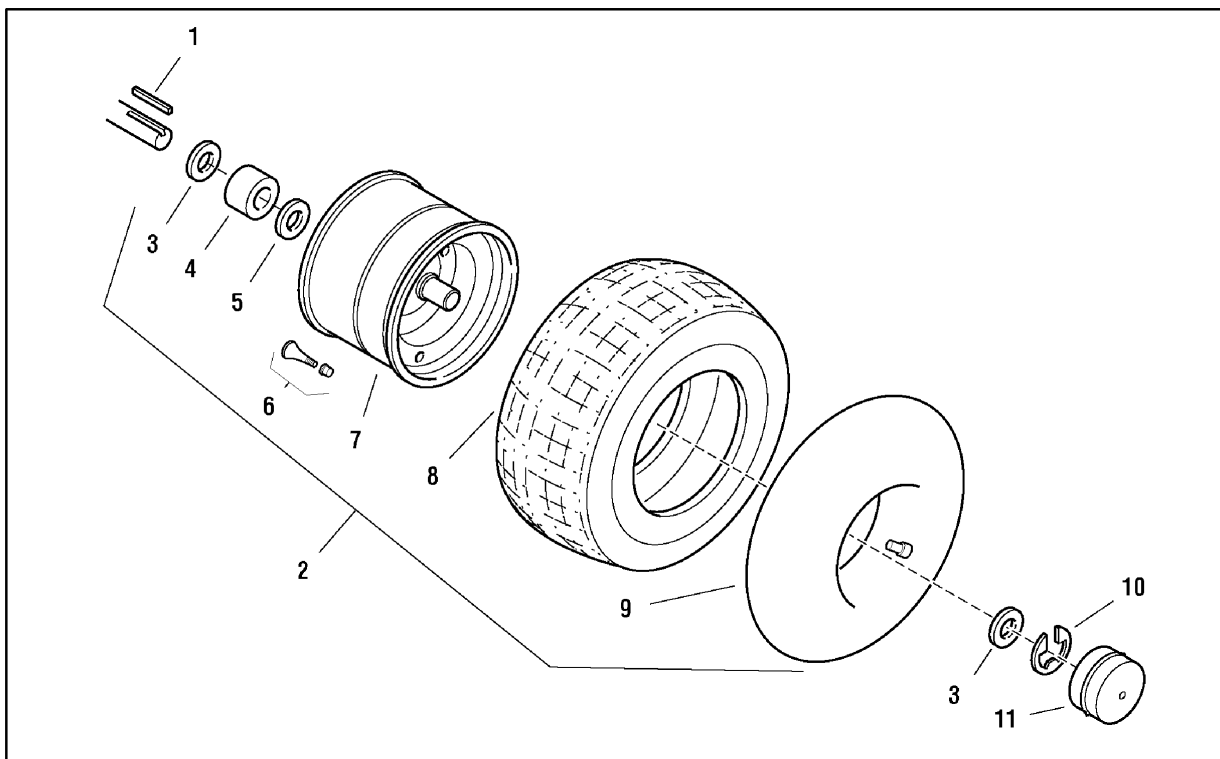
**The above parts group applies to the following Mfg. Nos.:**

1694462 - Coronet  
1694463 - Coronet  
1694464 - 2413H  
1694510 - Coronet  
1694536 - 2413

## Wheels & Tires Group

NOTE: Unless noted otherwise,  
use the standard hardware torque  
specification chart.

W986490



The above parts group applies to the following Mfg. Nos.:

- 1694462 - Coronet
- 1694463 - Coronet
- 1694464 - 2413H
- 1694510 - Coronet
- 1694536 - 2413

## **Wheels & Tires Group**

<b>REF NO</b>	<b>PART NO.</b>	<b>QTY.</b>	<b>DESCRIPTION</b>
1	1729279SM	2	KEY, Square, 3/16 x 3/16 x 1-1/2 long
2	1723171SM	2	REAR WHEEL & TIRE ASSEMBLY, Hoosier, (Includes Ref. Nos. 3, 4, 7 & 8)
3	2860202SM	6	WASHER, 3/4
4	1717451SM	2	SPACER
5	1960114SM	2	WASHER
6	2172353SM	4	VALVE STEM & CAP
7	1723400SM	2	REAR WHEEL ASSEMBLY, Metallic Gray
8	1723399SM	2	TIRE, Rear Wheel, 16 X 6.50-8
9	2164247SM	2	TUBE, Rear Wheel
10	2827794SM	2	E RING
11	1722675SM	4	HUB CAP, Silver
12	1723170SM	2	FRONT WHEEL & TIRE ASSEMBLY, Hoosier, 13 x 5.00-6, Metallic Gray (Includes Ref. Nos. 4, 15, 18 & 19)
13	1723402SM	2	FRONT WHEEL ASSEMBLY 13 x 5.00-6, Metallic Gray (Includes Ref. No. 16)
14	1723401SM	2	TIRE, Front Wheel, 13 x 5.00-6
15	1664090SM	2	TUBE, Front Wheel, 4.10/3.50 x 6
16	1611710SM	2	KLIP RING

### **Footnotes**

---

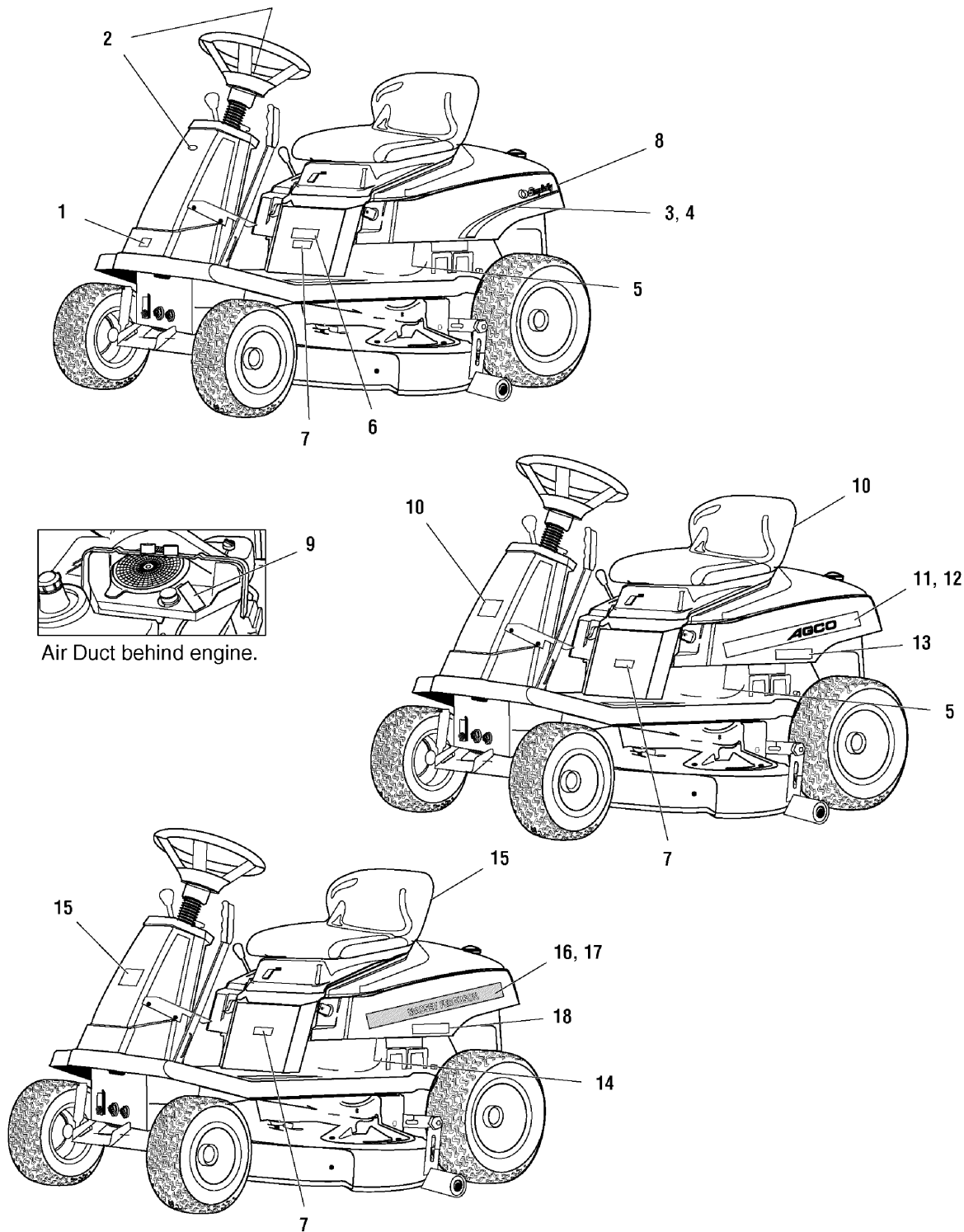
**The above parts group applies to the following Mfg. Nos.:**

1694462 - Coronet  
1694463 - Coronet  
1694464 - 2413H  
1694510 - Coronet  
1694536 - 2413

## Decals Group - Brand & Model

NOTE: Unless noted otherwise,  
use the standard hardware torque  
specification chart.

B986490



Air Duct behind engine.

The above parts group applies to the following Mfg. Nos.:

- 1694462 - Coronet
- 1694463 - Coronet
- 1694464 - 2413H
- 1694510 - Coronet
- 1694536 - 2413



## **Decals Group - Brand & Model**

<b>REF NO</b>	<b>PART NO.</b>	<b>QTY.</b>	<b>DESCRIPTION</b>
1	*	1	DECAL, C E, (Export Only)
2	1717692SM	2	DECAL, Icon, Simplicity
3	1722768SM	1	DECAL, Seat Deck, LH
4	1722767SM	1	DECAL, Seat Deck, RH
5	1720454SM	1	DECAL, Touch-up Paint, Deep Orange & Charcoal Gray
6	1722769SM	1	DECAL, "CORONET"
7	1722778SM	1	DECAL, 13 HP
7	1722549SM	1	DECAL, 16 HP
8	1722551SM	2	DECAL, Simplicity
9	1724468SM	1	DECAL, Briggs & Stratton, 13 HP, INTEK
10	1708926SM	2	DECAL, Logo, AGCO
11	1722853SM	1	DECAL, Seat Deck AGCO, LH
12	1722854SM	1	DECAL, Seat Deck AGCO, RH
13	1722856SM	2	DECAL, Model, 413H
14	1725072SM	1	DECAL, Touch-up Pain, Red & Gray
15	1714363SM	2	DECAL, Logo, Massey Ferguson
16	1722851SM	1	DECAL, Seat Deck, LH
17	1722852SM	1	DECAL, Seat Deck, RH
18	1722859SM	2	DECAL, Model, 2413

### **Footnotes**

Note\* Not a servicable part.

---

### **The above parts group applies to the following Mfg. Nos.:**

1694462 - Coronet  
1694463 - Coronet  
1694464 - 2413H  
1694510 - Coronet  
1694536 - 2413



## **Decals Group - Common & Safety**

---

<b>REF NO</b>	<b>PART NO.</b>	<b>QTY.</b>	<b>DESCRIPTION</b>
1	1726347SM	1	DECAL, Operating Instructions, English
1	1726336SM	1	DECAL, Operating Instructions, Export
2	1708927	1	DECAL, USA (Seat Back)
3	1726341SM	1	DECAL, Transmission Release (Hydro models only)
4	1726335SM	1	DECAL, Belt & Blade Replacement
5	*	1	I.D. PLATE (Not Serviced)
6	1704276SM	1	DECAL, Danger, Rotating Cutting Blade
7	*	1	DECAL, OPEI, (Not Serviced)
8	1722786SM	1	DECAL, Cutting Width - 34", Silver on Black
9	1704277SM	1	DECAL, Danger, Chute In Place
10	1722785SM	1	DECAL, Cutting Width - 30", Silver on Black
11	1722771SM	1	DECAL, Free Floating Mower
12	1722806SM	1	DECAL, Ignition Switch Symbols, White on Black

### **Footnotes**

Note\* Not a servicable part.

---

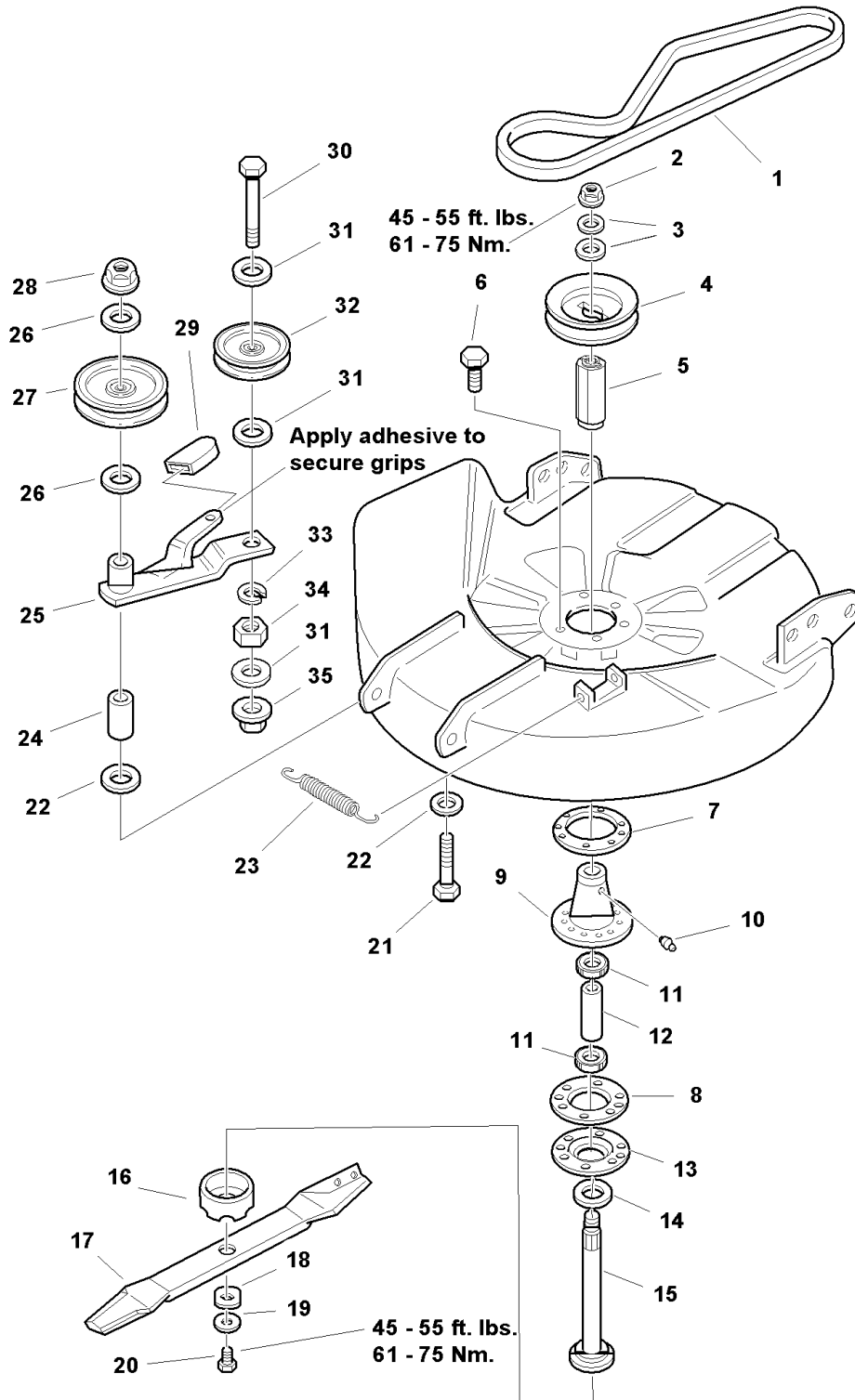
### **The above parts group applies to the following Mfg. Nos.:**

1694462 - Coronet  
1694463 - Coronet  
1694464 - 2413H  
1694510 - Coronet  
1694536 - 2413

## 30" Mower Deck - Drive & Arbor

984825

**NOTE:** Unless noted otherwise,  
use the standard hardware torque  
specification chart.



**The above parts group applies to the following Mfg. Nos.:**

1692543 - 30" Mower  
1694053 - 30" Mower  
1694511 - 30" Mower  
1694537 - 30" Mower

### 30" Mower Deck - Drive & Arbor

REF NO	PART NO.	QTY.	DESCRIPTION
1	1719746SM	1	V-BELT
2	1714419SM	1	NUT, Hex Flange, 9/16-18
3	1713675SM	2	WASHER, Belleville
4	1713092SM	1	PULLEY
5	1713613SM	1	HUB, Pulley, 1-3/16
6	1960373SM	6	CAPSCREW, Hex Head, Taptite, 5/16-18 x 1
7	1677274ASM	1	ADAPTER, Arbor
8	1707335SM	1	GASKET, Foam
9	1713338ASM	1	HOUSING ASSEMBLY, Arbor Bottom, w/Lube Fitting (Includes Ref. No. 10)
10	1704314SM	1	FITTING, Grease
11	1705897SM	2	BEARING
12	1732543SM	1	SPACER
13	1713199ASM	1	COVER, Arbor Housing
14	1713619SM	1	WASHER, Cupped
15	1713609SM	1	SHAFT, Arbor, 5-53/64"
16	1713196SM	1	SHIELD, Grass, Lower
17	1664019ASM	1	BLADE, Mower, 30"
18	1713089SM	1	WASHER, Hex
19	1656916SM	1	WASHER, Spring
20	2823471SM	1	CAPSCREW, Hex Head, 7/16-14 x 1, GR 8
21	1923903SM	1	CAPSCREW, Hex Head, 3/8-16 x 3
22	1924356SM	2	WASHER, Flat, 3/8 x 1-1/2 x 1/8
23	1715435SM	1	SPRING
24	1669105SM	1	SPACER
25	1708562SM	1	LEVER ASSEMBLY
26	1924940SM	2	WASHER, Plain, 3/8
27	1707435SM	1	PULLEY ASSEMBLY Idler, Fixed, 6" Dia.
28	1928352SM	1	NUT, Hex, Whizlock, 3/8-16
29	1665835	1	GRIP, Lever
30	1923701SM	1	CAPSCREW, Hex Head, 3/8-16 x 2
31	1922755SM	3	WASHER, 13/32 x 1 x 1/8
32	1704926SM	1	IDLER PULLEY, Backside
33	1916965SM	1	LOCKWASHER, 3/8
34	1916950SM	1	NUT, Hex, 3/8
35	1928731SM	1	NUT, Hex, Lock, 3/8-16

#### Footnotes

---

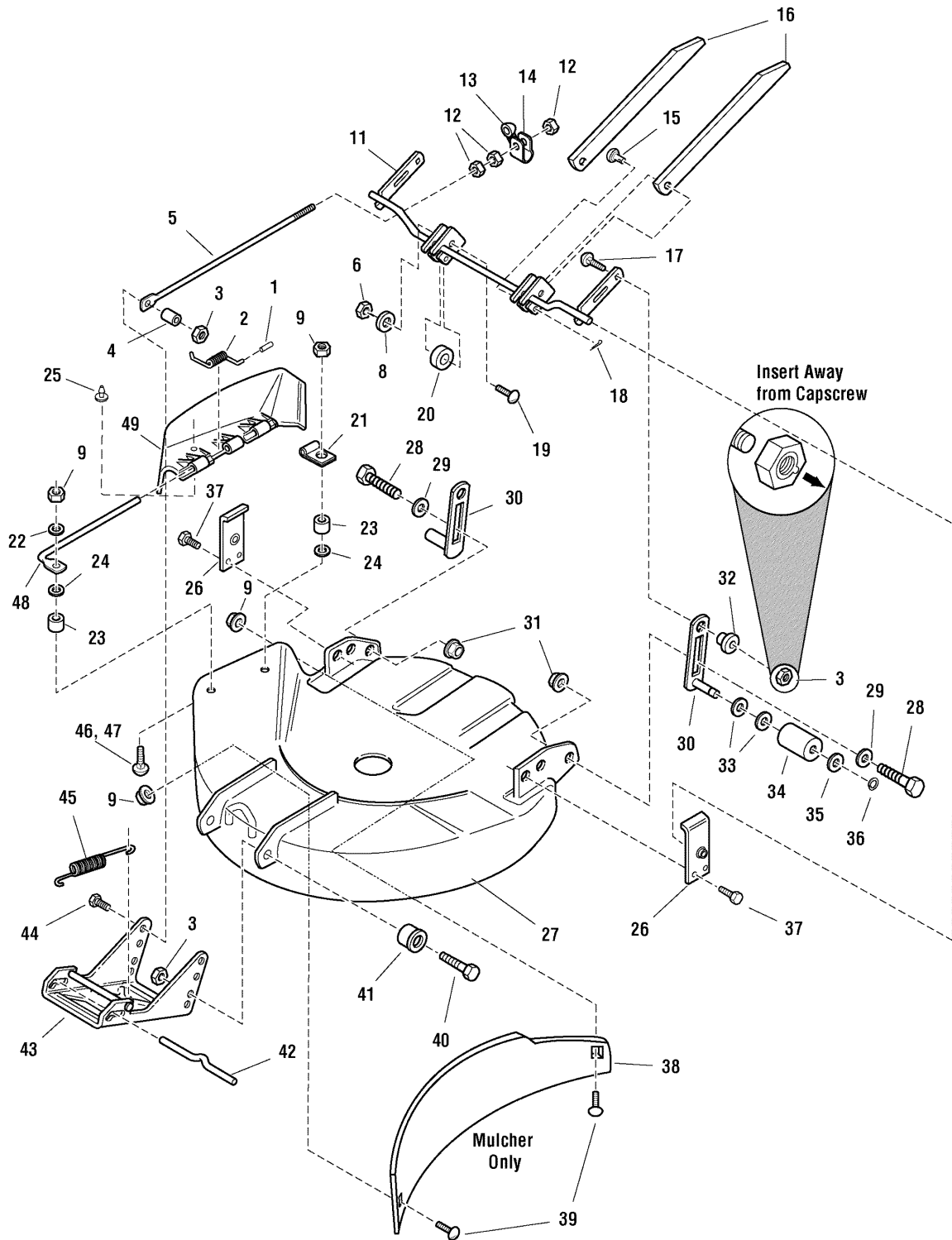
**The above parts group applies to the following Mfg. Nos.:**

1692543 - 30" Mower  
1694053 - 30" Mower  
1694511 - 30" Mower  
1694537 - 30" Mower

# 30" Mower Deck - Housing & Height Adjustment (CE/Export)

986458

NOTE: Unless noted otherwise,  
use the standard hardware torque  
specification chart.



The above parts group applies to the following Mfg. Nos.:

1694511 - 30" Mower

1694537 - 30" Mower

### 30" Mower Deck - Housing & Height Adjustment (CE/Export)

REF NO	PART NO.	QTY.	DESCRIPTION
1	1723323SM	1	CAP, Spring End
2	7101082SM	1	SPRING, Torsion
3	2860681SM	5	NUT, Hex, ALUM Lock, 3/8
4	1611705SM	1	SPACER
5	1707300SM	1	ROD, Adjustment
6	1927557SM	2	NUT, Hex Flange Whiz Lock, 5/16-18
8	1919326SM	2	WASHER
9	1920397SM	4	NUT, Hex ESNA, 1/4-20
11	1707540ASM	1	ARM ASSEMBLY, Mower
12	1913744SM	3	JAMNUT, Hex, 3/8-16
13	1671260SM	1	SPACER
14	1707280ASM	1	TRUNNION
15	1655651SM	2	PIN, Locking
16	1709209ASM	2	BAR, Mower Transport
17	1931352SM	2	CARRIAGE BOLT, 3/8-16 x 1-1/2
18	1960074SM	2	PIN, Retaining
19	1960223SM	2	CARRIAGE BOLT, 5/15-18 x 1-1/4
20	1704716SM	2	SPACER
21	1704873SM	1	CLAMP
22	1921319SM	3	WASHER, Plain (1 Required for Export)
23	1700692SM	2	SPACER (Export)
24	1960518SM	2	PUSHNUT, 1/4
25	1718611SM	1	PLUG, Hole
26	1708250ASM	2	PLATE, Pivot Support
27	1685670SM	1	HOUSING ASSEMBLY, 30" (Orange)
27	1687157SM	1	HOUSING ASSEMBLY, 30" (Red)
27	1687135SM	1	HOUSING ASSEMBLY, 30" (Black)
28	2172622SM	2	BOLT, Shoulder
29	1924361SM	2	WASHER, Flat
30	1708519ASM	2	SUPPORT ASSEMBLY, Roller
31	1928352SM	2	NUT, Hex, Flange, Whizlock, 3/8-16
32	1704082SM	2	NUT, Adjustment
33	1924366SM	4	WASHER, Plain, 21/32 x 1-1/8 x 7/64
34	1668487SM	2	ROLLER
35	1960020SM	2	WASHER, 21/32 x 1-1/8 x 1/16
36	2153124SM	2	RING, Retaining
37	1664847SM	4	CAPSCREW, Taptite, 5/16-18 x 3/4
39	1931333SM	2	CARRIAGE BOLT, 5/16-18 x 3/4, G5
38	1709282ASM	1	PLATE, Discharge (30" Mulcher)
40	1921968SM	2	CAPSCREW, Hex, 3/8-16 x 1 3/8
41	1732443SM	1	SPACER
42	1715759SM	1	ROD, Latch, Hitch

#### Footnotes

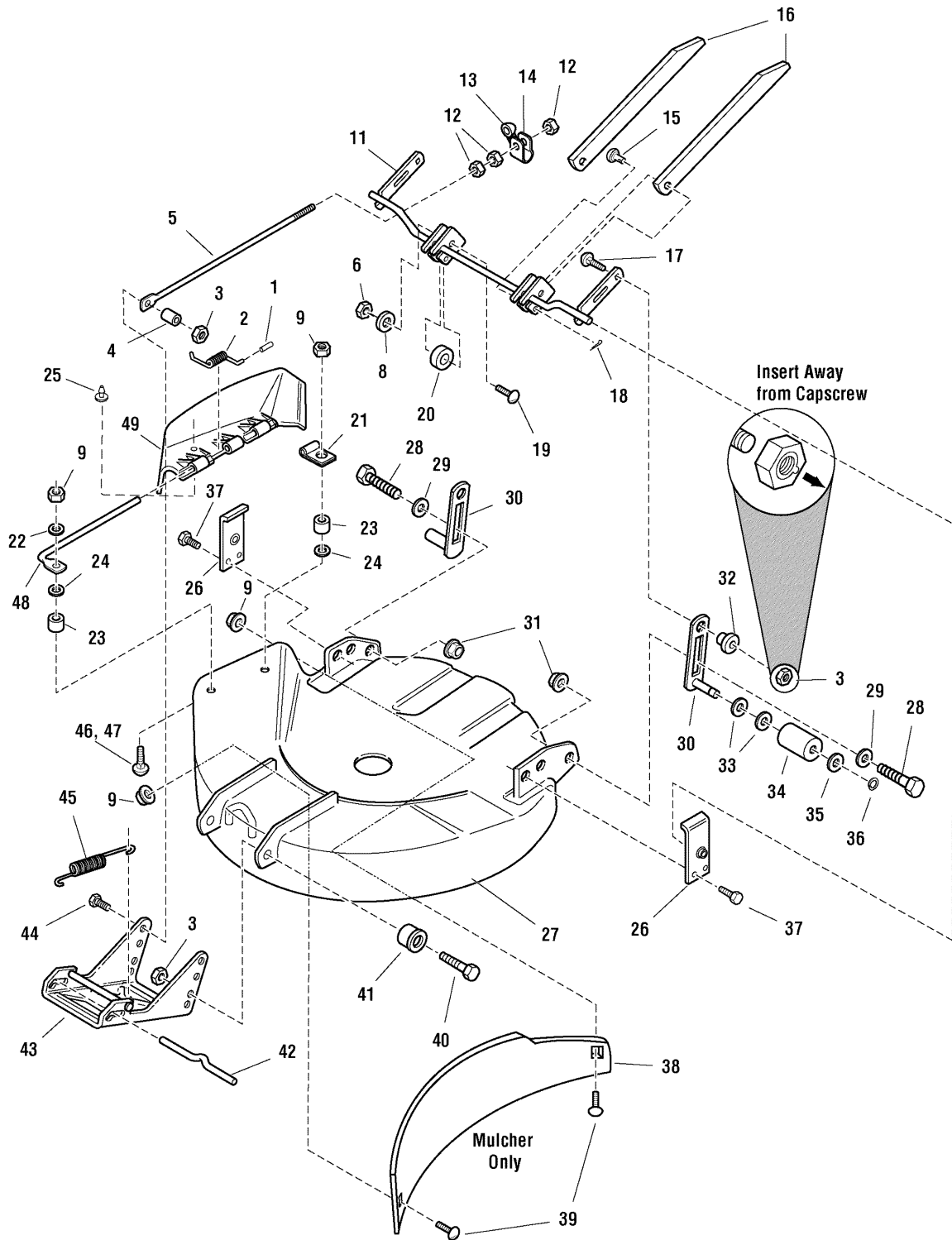
The above parts group applies to the following Mfg. Nos.:

1694511 - 30" Mower  
1694537 - 30" Mower

# 30" Mower Deck - Housing & Height Adjustment (CE/Export)

986458

NOTE: Unless noted otherwise,  
use the standard hardware torque  
specification chart.



The above parts group applies to the following Mfg. Nos.:

1694511 - 30" Mower

1694537 - 30" Mower



### **30" Mower Deck - Housing & Height Adjustment (CE/Export)**

---

<b>REF NO</b>	<b>PART NO.</b>	<b>QTY.</b>	<b>DESCRIPTION</b>
43	1707432ASM	1	HITCH ASSEMBLY
44	1921210SM	1	CAPSCREW, Hex Head, 3/8-16 x 1
45	2156302SM	1	SPRING
46	1931317SM	2	CARRIAGE BOLT, 1/4-20 x 3/4
47	1931320SM	2	CARRIAGE BOLT, 1/4-20 x 1-1/4 (Export)
48	1664947SM	1	ROD, Deflector
49	1705449SM	1	DEFLECTOR, Plastic

#### **Footnotes**

---

**The above parts group applies to the following Mfg. Nos.:**

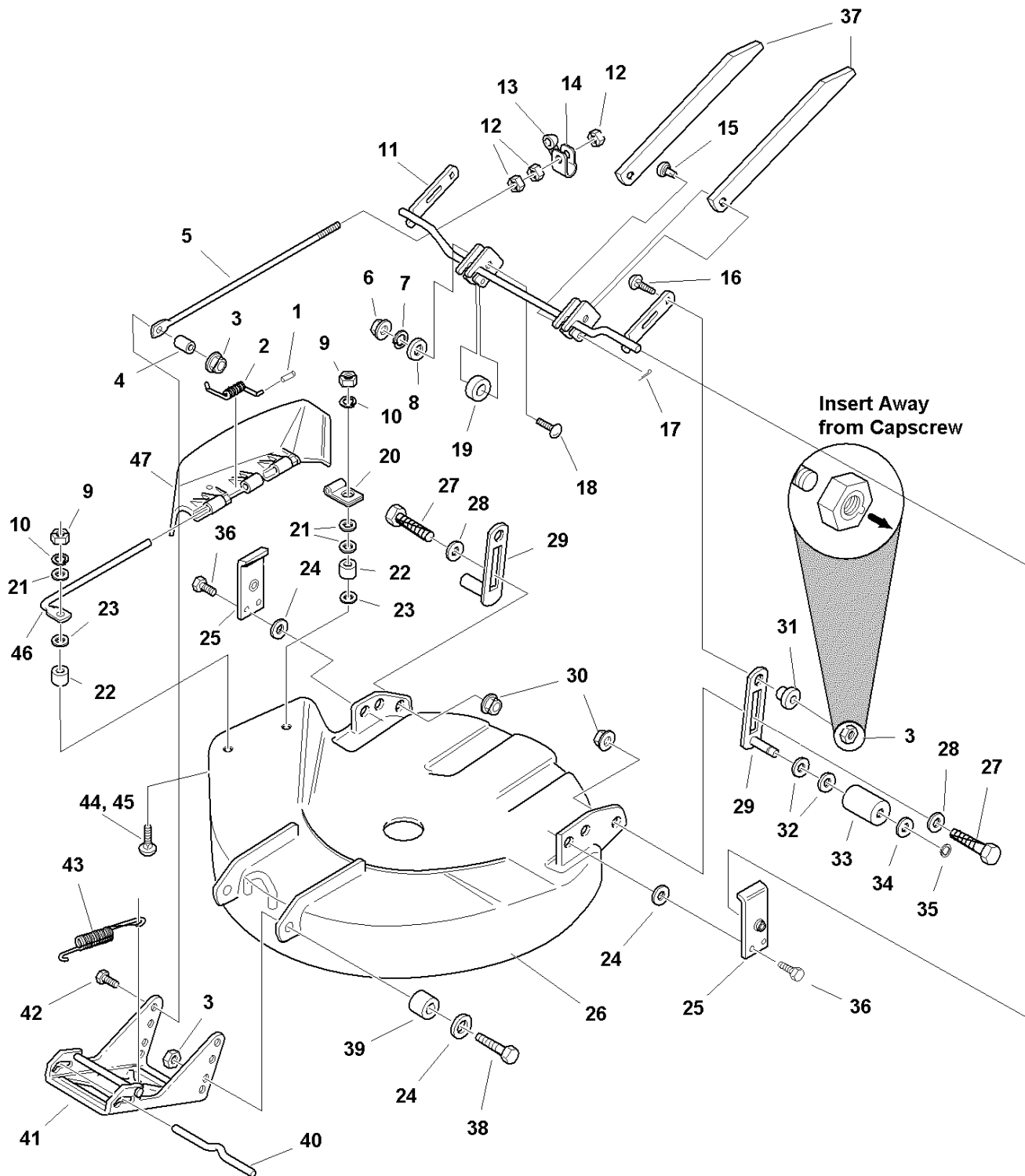
1694511 - 30" Mower

1694537 - 30" Mower

## 30" Mower Deck - Housing, Hitch & Height Adjustment

984421

NOTE: Unless noted otherwise,  
use the standard hardware torque  
specification chart.



The above parts group applies to the following Mfg. Nos.:

1692543 - 30" Mower  
1694053 - 30" Mower

### 30" Mower Deck - Housing, Hitch & Height Adjustment

REF NO	PART NO.	QTY.	DESCRIPTION
1	1723323SM	1	CAP, Spring End
2	1723938SM	1	SPRING
3	2860681SM	5	NUT, Hex, ALUM Lock, 3/8
4	1611705SM	1	SPACER
5	1707300SM	1	ROD, Adjustment
6	1917372SM	2	NUT, Hex, 5/16-18
7	1917356SM	2	LOCKWASHER, 5/16
8	1919326SM	2	WASHER
9	1920397SM	2	NUT, Hex, 1/4-20 ESNA
11	1707540ASM	1	ARM ASSEMBLY, Mower
12	1913744SM	3	JAMNUT, Hex, 3/8-16
13	1671260SM	1	SPACER
14	1707280ASM	1	TRUNNION
15	1655651SM	2	PIN, Locking
16	1931352SM	2	CARRIAGE BOLT, 3/8-16 x 1-1/2
17	1960074SM	2	PIN, Retaining
18	1960223SM	2	CARRIAGE BOLT, 5/15-18 x 1-1/4
19	1704716SM	2	SPACER
20	1704873SM	1	CLAMP
21	1921319SM	3	WASHER, Plain (1 Required for Export)
22	1700692SM	2	SPACER (Export)
23	1960518SM	2	PUSHNUT, 1/4
24	1924940SM	6	WASHER, Flat, 3/8
25	1708250ASM	2	PLATE, Pivot Support
26	1685670SM	1	HOUSING ASSEMBLY, 30" (Orange)
26	1687157SM	1	HOUSING ASSEMBLY, 30" (Red)
26	1687135SM	1	HOUSING ASSEMBLY, 30" (Black)
27	2172622SM	2	BOLT, Shoulder
28	1924361SM	2	WASHER, Flat
29	1708519ASM	2	SUPPORT ASSEMBLY, Roller
30	1928352SM	2	NUT, Hex, Flange, Whizlock, 3/8-16
31	1704082SM	2	NUT, Adjustment
32	1924366SM	4	WASHER, Plain, 21/32 x 1-1/8 x 7/64
33	1668487SM	2	ROLLER
34	1960020SM	2	WASHER, 21/32 x 1-1/8 x 1/16
35	2153124SM	2	RING, Retaining
36	1664847SM	4	CAPSCREW, Taptite, 5/16-18 x 3/4
37	1709209ASM	2	BAR, Mower Transport
38	1921968SM	2	CAPSCREW, Hex, 3/8-16 x 1-3/8
39	2157081SM	2	SPACER
40	1715759SM	1	ROD, Latch, Hitch
41	1707432ASM	1	HITCH ASSEMBLY
42	1921210SM	1	CAPSCREW, Hex Head, 3/8-16 x 1

#### Footnotes

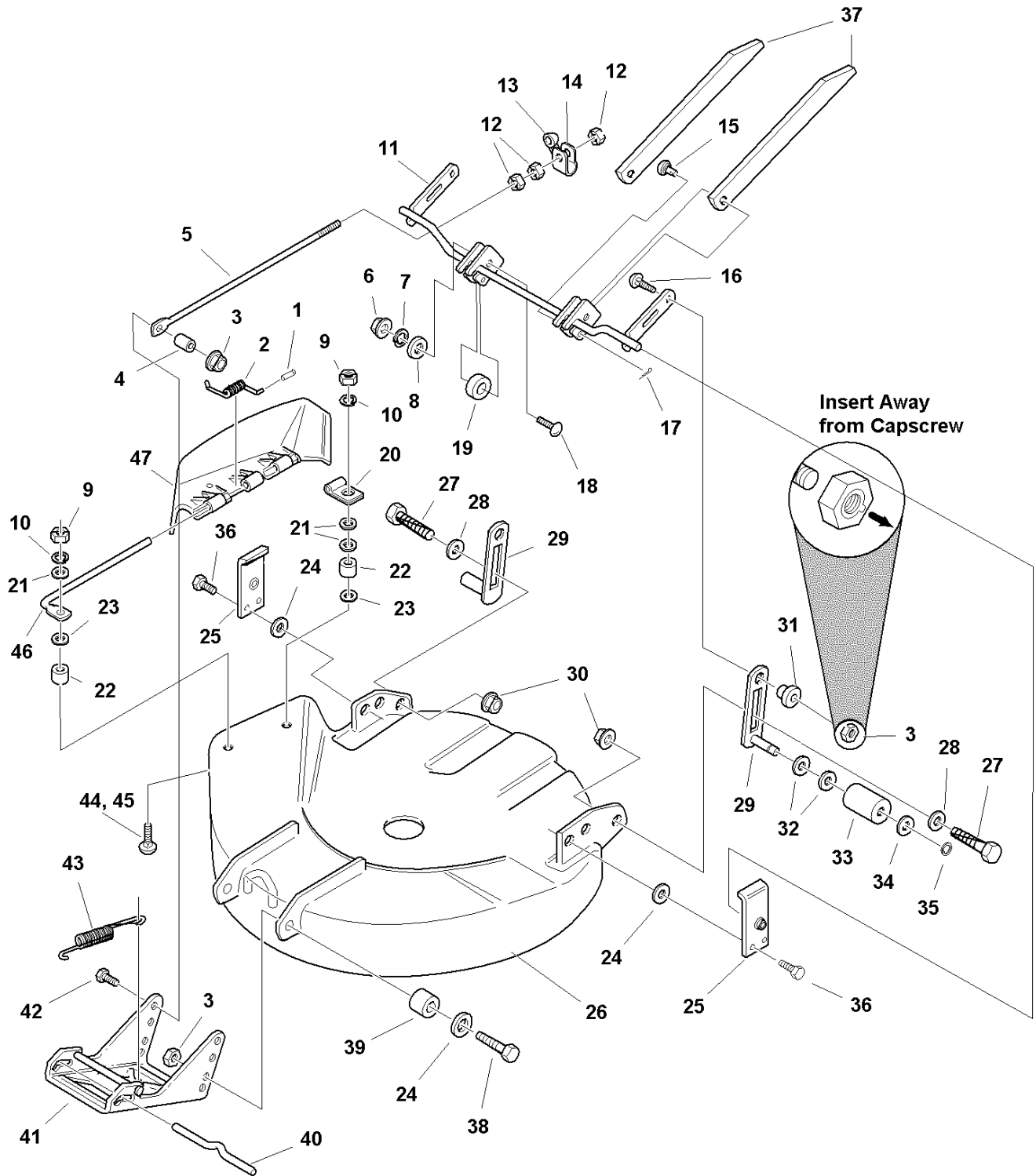
The above parts group applies to the following Mfg. Nos.:

1692543 - 30" Mower  
1694053 - 30" Mower

## 30" Mower Deck - Housing, Hitch & Height Adjustment

984421

NOTE: Unless noted otherwise,  
use the standard hardware torque  
specification chart.



The above parts group applies to the following Mfg. Nos.:

1692543 - 30" Mower

1694053 - 30" Mower

### **30" Mower Deck - Housing, Hitch & Height Adjustment**

---

<b>REF NO</b>	<b>PART NO.</b>	<b>QTY.</b>	<b>DESCRIPTION</b>
43	2156302	1	SPRING
44	1931317SM	2	CARRIAGE BOLT, 1/4-20 x 3/4
45	1931320SM	2	CARRIAGE BOLT, 1/4-20 x 1-1/4 (Export)
46	1664947SM	1	ROD, Deflector
47	1705449SM	1	DEFLECTOR, Plastic

#### **Footnotes**

---

**The above parts group applies to the following Mfg. Nos.:**

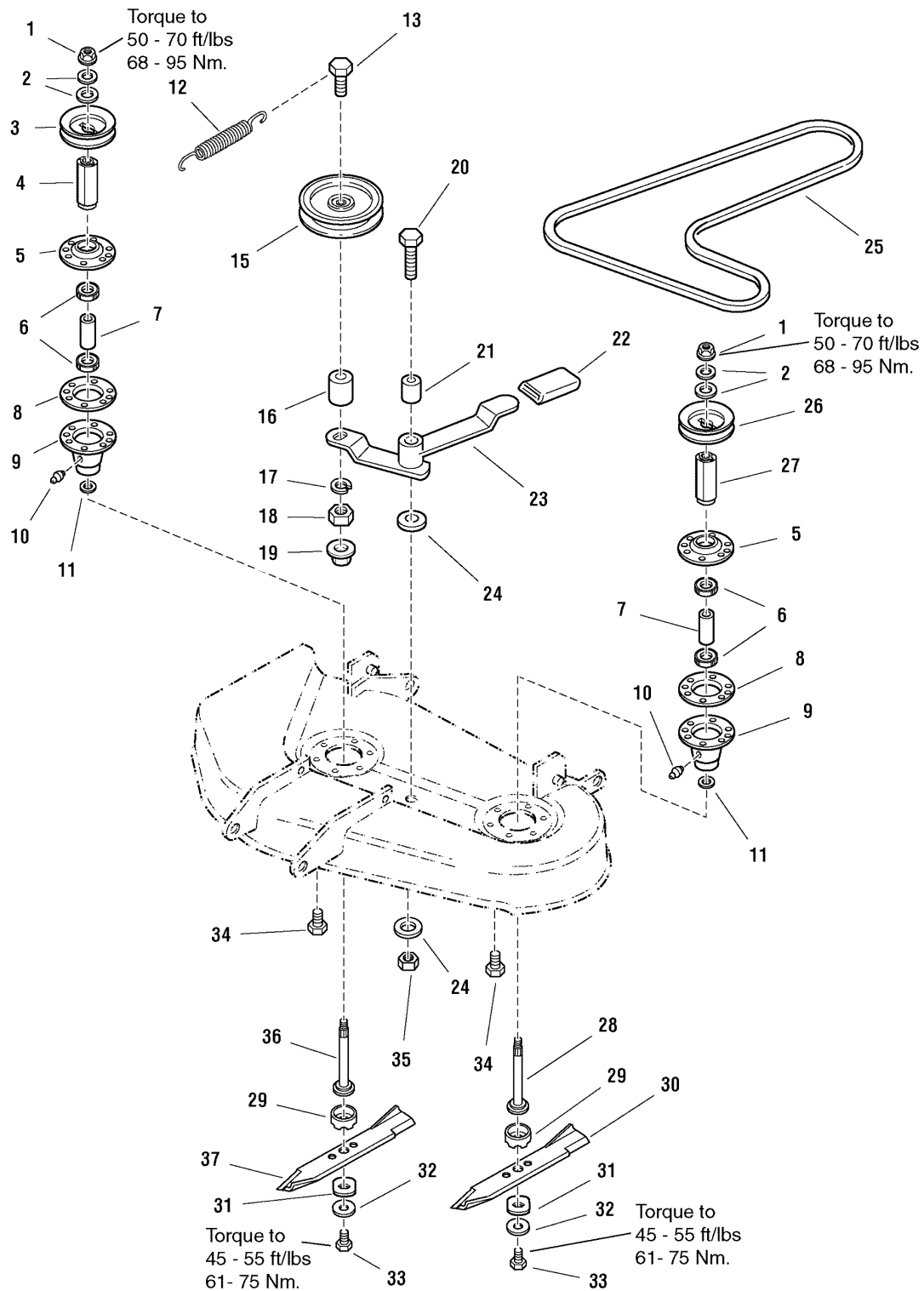
1692543 - 30" Mower

1694053 - 30" Mower

# 34" Mower Deck - Drive & Arbor

984826

**NOTE:** Unless noted otherwise, use the standard hardware torque specification chart.



The above parts group applies to the following Mfg. Nos.:

1692545 - 34" Mower

## 34" Mower Deck - Drive & Arbor

REF NO	PART NO.	QTY.	DESCRIPTION
1	1714419SM	2	NUT, Hex, Flange, 9/16-18
2	1713675SM	4	WASHER, Belleville
3	1713091SM	1	PULLEY, 5"
4	1713614SM	1	HUB, Pulley, 1-35/64"
5	1713199ASM	2	COVER, Arbor Housing ASSEMBLY
6	1705897SM	4	BEARING
7	1732543SM	2	SPACER
8	1707335SM	2	GASKET, Foam
9	1713338ASM	2	HOUSING ASSEMBLY, Arbor Bottom, w/Lube Fitting (Includes Ref. No. 10)
10	1704314SM	2	FITTING, Grease
11	1713619SM	2	WASHER
12	2164213SM	1	SPRING
13	1921972SM	1	CAPSCREW, 3/8-16 x 2-1/2
15	1704926SM	1	PULLEY, Idler, Backside
16	1667812SM	1	SPACER
17	1916965SM	1	LOCKWASHER, 3/8
18	1916950SM	1	NUT, Hex, 3/8-16
19	1930645SM	1	NUT, Hex, Flange, Lock, 3/8-16
20	1928957SM	1	CAPSCREW, Hex Head, 3/8-16 x 2-3/4
21	1657242SM	1	SPACER
22	1665835	1	GRIP, Lever
23	1708561SM	1	LEVER ASSEMBLY
24	1924356SM	2	WASHER, Flat, 3/8
25	1723391SM	1	V-BELT
26	1713090SM	1	PULLEY, 3-3/4"
27	1713613SM	1	HUB, Pulley, 1-3/16"
28	1713609SM	1	SHAFT, Arbor, 5-53/64"
29	1713196SM	2	SHIELD, Grass, Lower
30	1706737ASM	1	BLADE, 14-27/64"
31	1713089SM	2	WASHER, Hex
32	1656916SM	2	WASHER, Spring
33	2823471SM	2	CAPSCREW, Hex Head, 7/16-14 x 1-1/4, GR 8
34	1664847SM	12	CAPSCREW Taptite, 5/16-18 x 3/4
35	1928352SM	1	NUT, Hex, 3/8-16
36	1713610SM	1	SHAFT, Arbor, 6-33/64"
37	1706738ASM	1	BLADE, 19-29/32"

### Footnotes

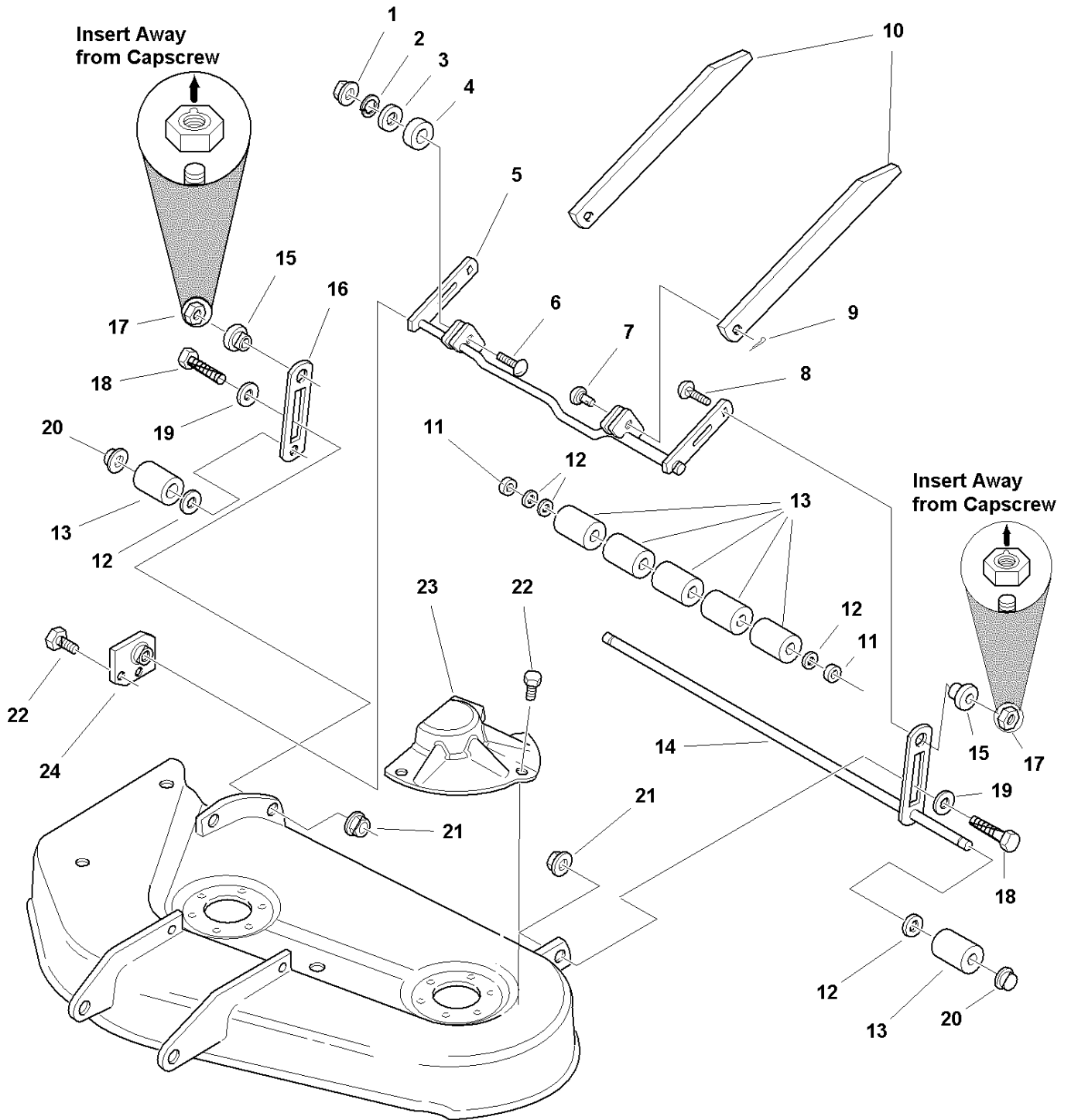
The above parts group applies to the following Mfg. Nos.:

1692545 - 34" Mower

# 34" Mower Deck - Height Adjustment

NOTE: Unless noted otherwise, use the standard hardware torque specification chart.

J984418



The above parts group applies to the following Mfg. Nos.:  
1692545 - 34" Mower



### **34" Mower Deck - Height Adjustment**

<b>REF NO</b>	<b>PART NO.</b>	<b>QTY.</b>	<b>DESCRIPTION</b>
1	1917372SM	1	NUT, Hex, 5/16-18
2	1917356SM	2	LOCKWASHER, 5/16
3	1919326SM	2	WASHER
4	1704716SM	2	SPACER
5	1707286ASM	1	ARM ASSEMBLY
6	1960223SM	2	CARRIAGE BOLT, 5/16-18 x 1-1/4
7	1655651SM	2	PIN, Locking
8	1931352SM	2	CARRIAGE BOLT, 3/8-16 x 1-1/2
9	1960074SM	2	CLIP, Hair Pin
10	1709209ASM	2	BAR, Mower Transport
11	1602946SM	2	SPACER, Roller
12	1924366SM	5	WASHER, Flat, 5/8
13	1668513SM	7	ROLLER
14	1686682SM	1	SHAFT ASSEMBLY, Roller (Includes Ref. 20)
15	1704082SM	2	NUT, Adjustment
16	1708520ASM	1	PLATE, Support, RH
17	2860681SM	2	NUT, Hex Alum Lock, 3/8
18	2172622SM	2	BOLT, Shoulder, 3/8-16
19	1924361SM	2	WASHER, Flat, 1/2
20	1960520SM	2	NUT, Push
21	1928352SM	2	NUT, Flange Lock, 3/8
22	1664847SM	5	CAPSCREW, Taptite, 5/16-18 x 5/8
23	1707567SM	1	COVER, Arbor
24	1708564ASM	1	PLATE, Support

#### **Footnotes**

---

**The above parts group applies to the following Mfg. Nos.:**

1692545 - 34" Mower



### 34" Mower Deck - Housing, Hitch & Deflector

REF NO	PART NO.	QTY.	DESCRIPTION
1	1916622SM	2	NUT, Hex, 1/4-20
3	1960353SM	2	WASHER, Flat, 17/64 x 27/32 x 1/8
4	1706709SM	1	ROD, Deflector, Front
5	1913744SM	3	JAMNUT, Hex, 1/2-13
6	1671260SM	1	SPACER
7	1707280ASM	1	TRUNNION
8	1707300SM	1	ROD, Adustment
9	1931318SM	2	CARRIAGE BOLT, 1/4-20 X 7/8
10	1685672SM	1	HOUSING ASSEMBLY, 34" (Orange)
10	1687137SM	1	HOUSING ASSEMBLY, 34" (Black)
11	1921968SM	2	CAPSCREW, Hex Head, 3/8-16 x 1-3/8
12	1924940SM	3	WASHER, Flat, 3/8
13	2157081SM	2	SPACER
14	1921210SM	1	CAPSCREW, Hex Head, 3/8-16 x 1
15	1715759SM	1	ROD, Latch, Hitch
16	1707432ASM	1	HITCH ASSEMBLY
17	2860681SM	3	NUT, Hex Lock, Alm Insert, 3/8-16
18	2156302	1	SPRING
19	1611705SM	1	SPACER
20	1960518SM	1	PUSHNUT
21	1704873SM	1	CLAMP
22	1919326SM	1	WASHER
23	1723938SM	1	SPRING
24	1705449SM	1	DEFLECTOR, Plastic
25	1723323SM	1	CAP, Spring End

#### Footnotes

---

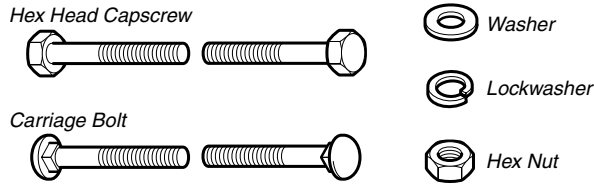
The above parts group applies to the following Mfg. Nos.:

1692545 - 34" Mower



# Hardware Identification & Torque Specifications

## Common Hardware Types

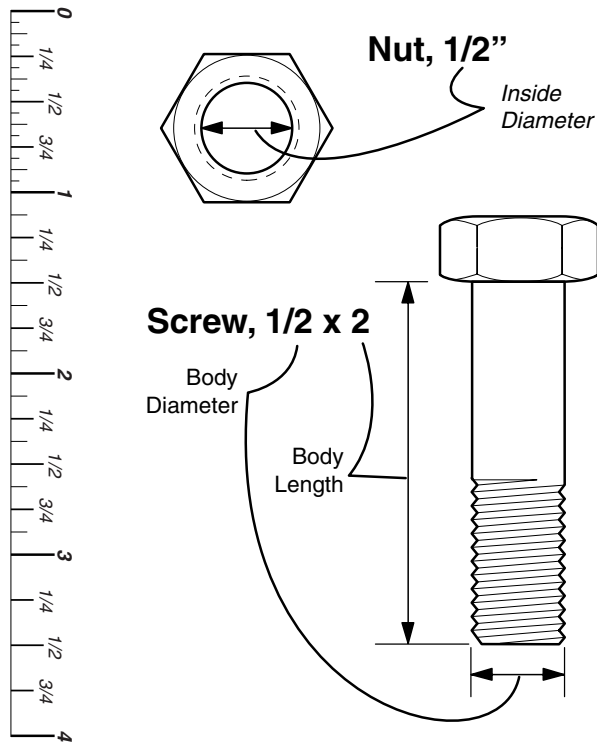


## Standard Hardware Sizing

When a washer or nut is identified as 1/2", this is the *Nominal size*, meaning the *inside diameter* is 1/2 inch; if a second number is present it represents the *threads per inch*

When bolt or capscrew is identified as 1/2 - 16 x 2", this means the *Nominal size*, or *body diameter* is 1/2 inch; the second number represents the *threads per inch* (16 in this example, and the final number is the *body length* of the bolt or screw (in this example 2 inches long).

**The guides and ruler furnished below are designed to help you select the appropriate hardware and tools.**



Torque Specification Chart						
FOR STANDARD MACHINE HARDWARE (Tolerance ± 20%)						
Hardware Grade	No Marks SAE Grade 2		SAE Grade 5		SAE Grade 8	
	in/lbs ft/lbs	Nm.	in/lbs ft/lbs	Nm.	in/lbs ft/lbs	Nm.
8-32	19	2.1	30	3.4	41	4.6
8-36	20	2.3	31	3.5	43	4.9
10-24	27	3.1	43	4.9	60	6.8
10-32	31	3.5	49	5.5	68	7.7
1/4-20	66	7.6	8	10.9	12	16.3
1/4-28	76	8.6	10	13.6	14	19.0
5/16-18	11	15.0	17	23.1	25	34.0
5/16-24	12	16.3	19	25.8	27	34.0
3/8-16	20	27.2	30	40.8	45	61.2
3/8-24	23	31.3	35	47.6	50	68.0
7/16-14	30	40.8	50	68.0	70	95.2
7/16-20	35	47.6	55	74.8	80	108.8
1/2-13	50	68.0	75	102.0	110	149.6
1/2-20	55	74.8	90	122.4	120	163.2
9/16-12	65	88.4	110	149.6	150	204.0
9/16-18	75	102.0	120	163.2	170	231.2
5/8-11	90	122.4	150	204.0	220	299.2
5/8-18	100	136	180	244.8	240	326.4
3/4-10	160	217.6	260	353.6	386	525.0
3/4-16	180	244.8	300	408.0	420	571.2
7/8-9	140	190.4	400	544.0	600	816.0
7/8-14	155	210.8	440	598.4	660	897.6
1-8	220	299.2	580	788.8	900	1,244.0
1-12	240	326.4	640	870.4	1,000	1,360.0

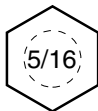
### NOTES

- These torque values are to be used for all hardware excluding: locknuts, self-tapping screws, thread forming screws, sheet metal screws and socket head setscrews.
- Recommended seating torque values for locknuts:
  - for prevailing torque locknuts - use 65% of grade 5 torques.
  - for flange whizlock nuts and screws - use 135% of grade 5 torques.
- Unless otherwise noted on assembly drawings, all torque values must meet this specification.

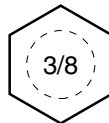
## Wrench & Fastener Size Guide



1/4" Bolt or Nut  
Wrench—7/16"



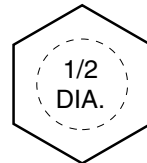
5/16" Bolt or Nut  
Wrench—1/2"



3/8" Bolt or Nut  
Wrench—9/16"



7/16" Bolt or Nut  
Wrench (Bolt)—5/8"  
Wrench (Nut)—11/16"



1/2" Bolt or Nut  
Wrench—3/4"

***Simplicity***

---

MANUFACTURING, INC.  
500 N. Spring Street / PO Box 997  
Port Washington, WI 53074-0997 USA

[www.simplicitymfg.com](http://www.simplicitymfg.com)

© Copyright 2007 Simplicity Manufacturing, Inc.  
All Rights Reserved. Printed In USA.

