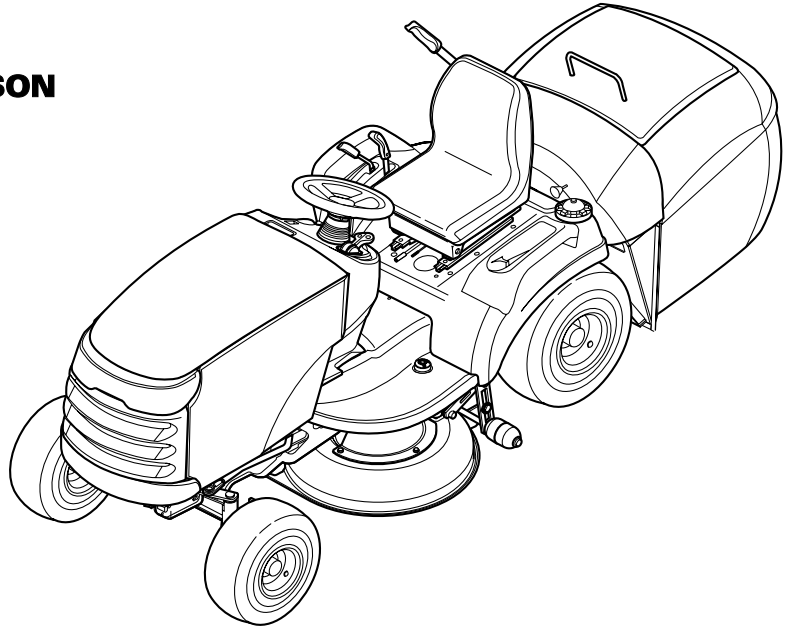




Parts Manual



MASSEY FERGUSON
LAWN & GARDEN EQUIPMENT



Baron / 2400

Series Lawn Tractors & Mower Decks

16HP Product

Mfg. No.	Description
1694315	Baron, 16HP Hydro (CE)
1694329	Baron, 16HP Hydro (CE)
1694346	2416H, 16HP Hydro (CE)

17HP Product

Mfg. No.	Description
1694482	Baron, 17HP Hydro (CE)
1694485	2417H, 17HP Hydro (CE)

18HP Product

Mfg. No.	Description
1694328	Baron, 18HP Hydro (CE)
1694347	2418H, 18HP Hydro (CE)

20HP Product

Mfg. No.	Description
1694481	Baron, 20HP Hydro (CE)
1694483	2420H, 20HP Hydro (CE)

Mower Decks

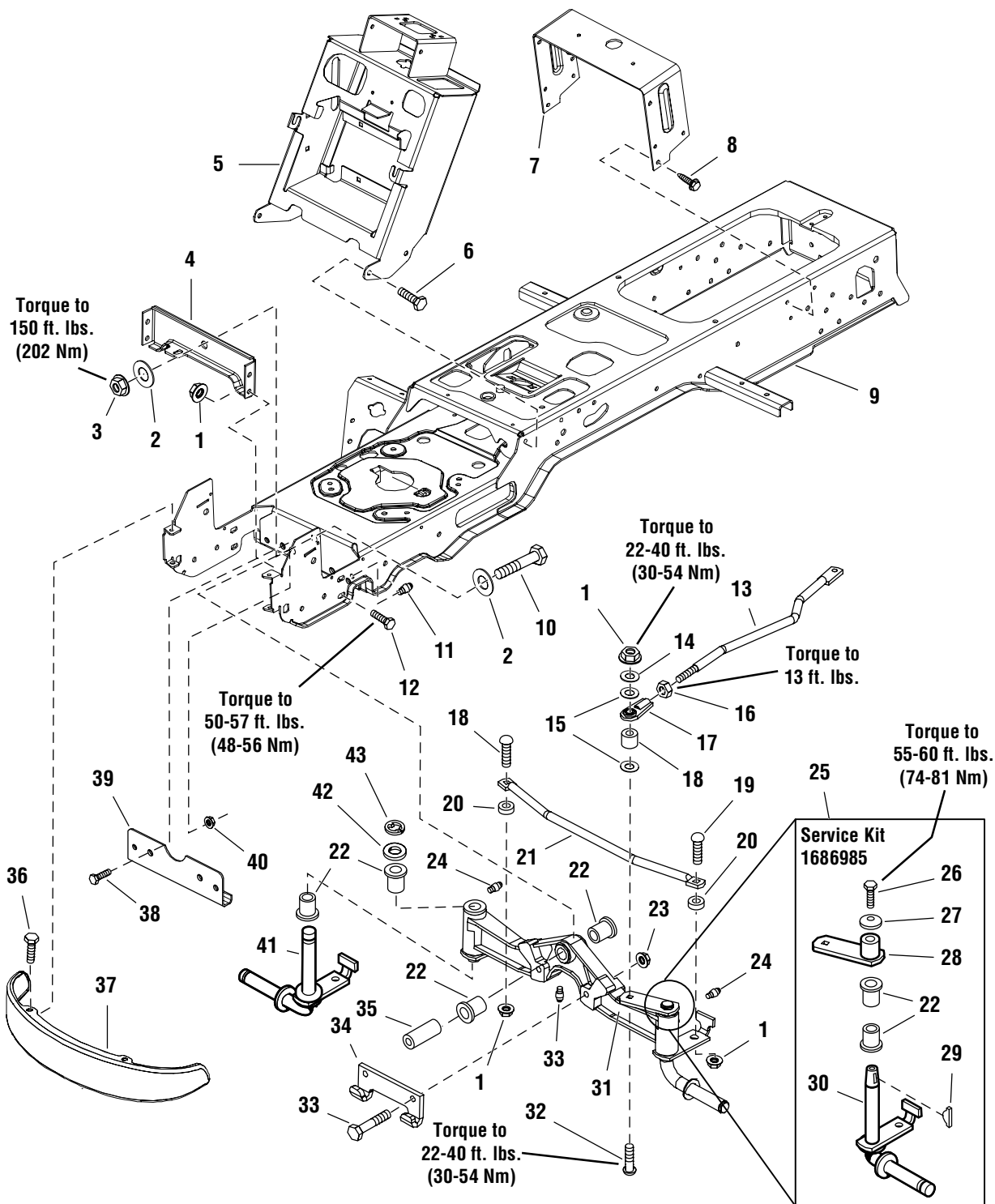
Mfg. No.	Description
1694331	40 inch Mower Deck (CE)
1694338	40 inch Mower Deck (CE)

PRODUCT COMPONENTS	PAGES
Frame & Front Axle Group	4
Steering Group	6
Engine Group - 16HP & 17HP Briggs & Stratton, INTEK Single	8
Engine Group - 16HP Honda	10
Engine Group - 18HP Briggs & Stratton, INTEK Twin	12
Engine Group - 20HP Briggs & Stratton, INTEK Twin	14
Transmission Group - Tuff Torq K-46Q	16
Transmission SERVICE PARTS - Tuff Torq K-46Q Transaxle	20
Lift Group	24
Controls Group	26
Cruise Control Group	28
Electrical Group - 16HP & 17HP Briggs & Stratton, INTEK Single	30
Electrical Group - 16HP Honda	34
Electrical Group - 18HP & 20HP Briggs & Stratton, INTEK Twin	38
Hood, Grille & Dash Group	42
Seat Deck & Fuel Tank Group	44
Hopper Group - Fixed Screen	46
Hopper Group - Serviceable Screen	50
Mulching Group	54
Wheels & Tires Group	56
Decals Group - Brand & Model	58
Decals Group - Safety & Common	60
40 inch Mower Deck - Belt, Idle Arm & Hitch	62
40 inch Mower Deck - Height Adjustment & Roller Bar (Serial No. 1999 and Below)	64
40 inch Mower Deck - Height Adjustment & Roller Bar (Serial No. 2000 and Above)	68
40 inch Mower Deck - Housing, Arbors & Blade (Serial No. 1999 and Below)	72
40 inch Mower Deck - Housing, Arbors & Blade (Serial No. 2000 and Above)	74
Torque Specification Chart	Inside Back Cover

Frame & Front Axle Group

985880

NOTE: Unless noted otherwise, use the standard hardware torque specification chart.



The above parts group applies to the following Mfg. Nos.:

- | | |
|-----------------|-----------------|
| 1694329 - Baron | 1694485 - 2417H |
| 1694328 - Baron | 1694481 - Baron |
| 1694315 - Baron | 1694483 - 2420H |
| 1694346 - 2416H | |
| 1694347 - 2418H | |
| 1694482 - Baron | |

Frame & Front Axle Group

REF NO	PART NO.	QTY.	DESCRIPTION
1	1930645	7	NUT, Hex Flange Lock, 3/8-16
2	1960035	2	WASHER
3	960646	1	NUT, Hex Flange, 5/8-11
4	1722212	1	PLATE, Axle
5	1724081	1	TOWER & SUPPORT ASSEMBLY
6	1923683	4	CAPSCREW, Hex Head Taptite, 3/8-16 x 3/4
7	1723528	1	SUPPORT
8	1664847	4	CAPSCREW, Hex Head Taptite, 5/16-18 x 3/4
9	1726887	1	FRAME ASSEMBLY
10	960645	1	CAPSCREW, 5/8-11 x 3-1/2
11	1704314	2	FITTING, Grease for Wear Plate, 1/4-20, with Ball
12	1933260	4	CAPSCREW, Hex Head, Flange Lock, 3/8-16 x 3/4
13	1722541	1	LINK, Drag
14	1922755	1	WASHER
15	1960103	2	WASHER
16	1919262	1	NUT, Hex Jam, 1/2-20
17	1702779	1	JOINT, Ball
18	1708236	1	SPACER
19	1931350	2	CARRIAGE BOLT, 3/8-16 x 1
20	1611705	2	SPACER
21	1722626	1	ROD, Tie
22	1721682	6	BUSHING
23	1930650	2	NUT, Hex Flange Lock, 7/16-14
24	1704314	3	FITTING, Lube
25	1686985	1	SPINDLE REPLACEMENT KIT, LH (Includes Ref. Nos. 22, 26, 27, 28, 29 & 30)
26	923485	1	CAPSCREW, 3/8-16 x 7/8, GR8
27	1663151	1	WASHER, Spring, 3/8
28	1725112	1	HUB & ARM ASSEMBLY
29	930671	1	KEY, Woodruff
30	1724264	1	SPINDLE, LH
31	1722200	1	AXLE ASSEMBLY, w/ LH Spindle, Complete (Includes Ref. Nos. 22, 24, 41, 42 & 43)
32	1931352	1	CARRIAGE BOLT, 3/8-16 x 1-1/2
33	1927531	2	CAPSCREW, Hex Head, 7/16-14 x 2, GR8
34	1721918	1	HOOK, "J"
35	1721752	1	SPACER
36	1960086	4	SCREW, Torx Head, 5/16-18 x 7/8
37	1721805	1	BUMPER, Black, Steel, Standard
37	1723502	1	BUMPER, Chrome, Optional
38	1930591	2	CAPSCREW, Hex Whiz Lock, 5/16-18 x 3/4
39	1724801	1	PLATE, Axle Wear
40	1931277	2	NUT, Hex Falnge Whiz Lock, 5/16-18
41	1722199	1	SPINDLE, RH
42	1919394	1	WASHER
43	932577	1	RETAINING RING

Footnotes

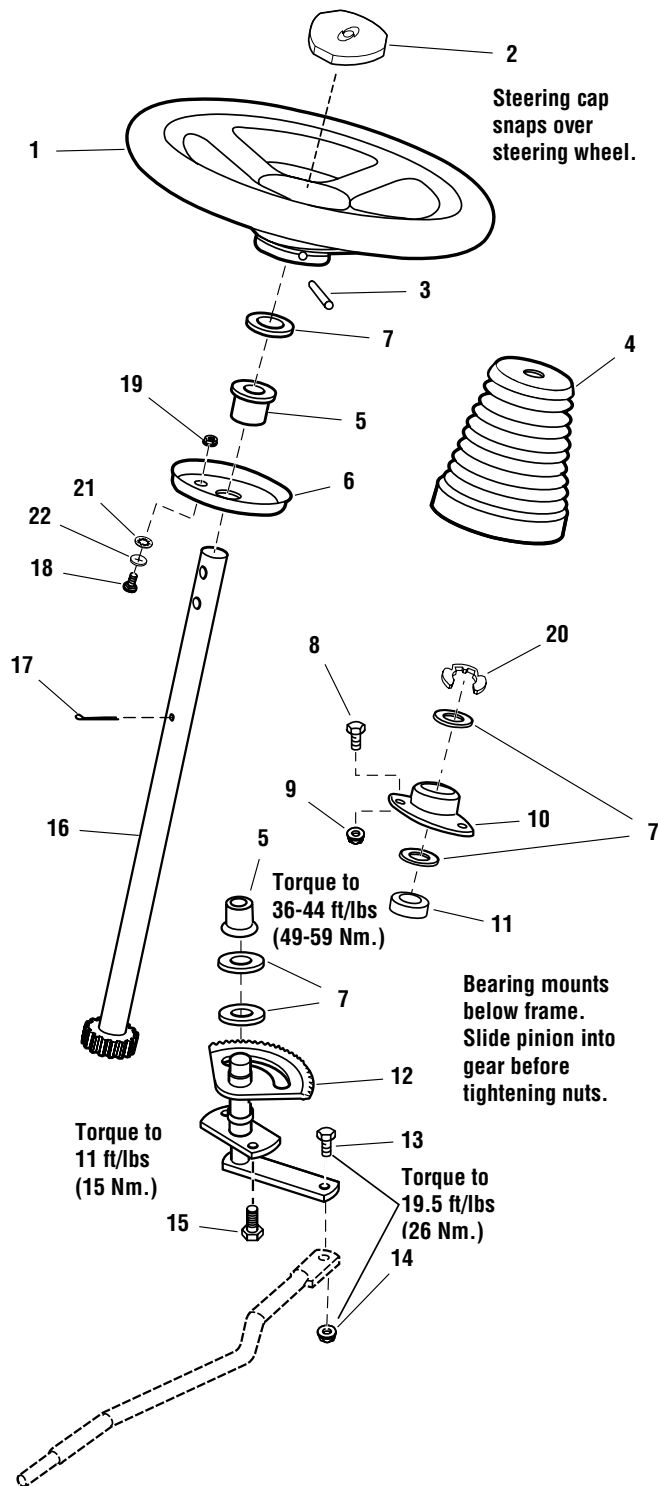
The above parts group applies to the following Mfg. Nos.:

1694329 - Baron	1694485 - 2417H
1694328 - Baron	1694481 - Baron
1694315 - Baron	1694483 - 2420H
1694346 - 2416H	
1694347 - 2418H	
1694482 - Baron	

Steering Group

986091

NOTE: Unless noted otherwise, use the standard hardware torque specification chart.



The above parts group applies to the following Mfg. Nos.:

- | | |
|-----------------|-----------------|
| 1694329 - Baron | 1694485 - 2417H |
| 1694328 - Baron | 1694481 - Baron |
| 1694315 - Baron | 1694483 - 2420H |
| 1694346 - 2416H | |
| 1694347 - 2418H | |
| 1694482 - Baron | |

Steering Group

REF NO	PART NO.	QTY.	DESCRIPTION
1	1722318	1	STEERING WHEEL, Straight Shaft
2	1722319	1	CAP, Steering Wheel, Simplicity Logo
2	1725024	1	CAP, Steering Wheel, Plain
3	1960540	1	PIN, Spring
4	1722749	1	COVER, Black Rubber
5	176440	2	BUSHING
6	1721736	1	PLATE, Mounting Steering
7	1960114	5	WASHER
8	1933260	2	CAPSCREW, Hex Head Flange Lock, 3/8-16 x 3/4
9	1931211	2	NUT, Hex Whiz Lock, 3/8-16
10	1722459	1	BEARING, Flange
11	1722461	1	SPACER
12	1724470	1	GEAR & SHAFT ASSEMBLY
13	1960032	1	CAPSCREW, Hex Head, 3/8-16 x 1-1/4
14	1930645	1	NUT, Hex Flange Lock, 3/8-16
15	1664847	2	CAPSCREW, Hex Head Taptite, 5/16-18 x 3/4
16	1723604	1	SHAFT ASSEMBLY
17	1919314	1	PIN, Cotter
18	1931317	2	CARRIAGE BOLT, 1/4-20 x 3/4
19	928372	2	NUT, Hex, 1/4-20
20	1611710	1	RING, Clipping Extension
21	1960114	2	WASHER
22	1933988	2	NUT, Push, 5/16

Footnotes

The above parts group applies to the following Mfg. Nos.:

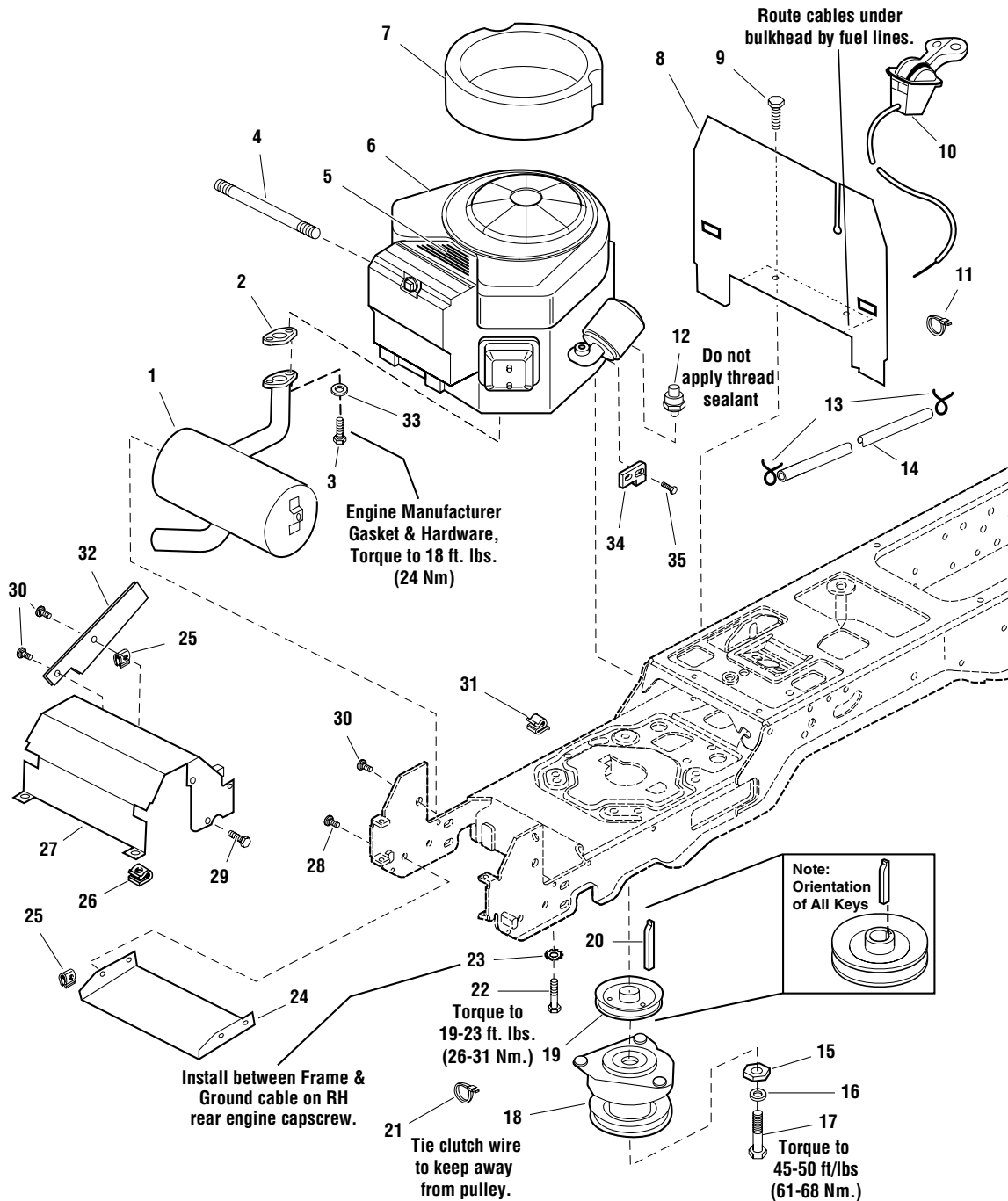
1694329 - Baron
1694328 - Baron
1694315 - Baron
1694346 - 2416H
1694347 - 2418H
1694482 - Baron

1694485 - 2417H
1694481 - Baron
1694483 - 2420H

Engine Group - 16HP & 17HP Briggs & Stratton, INTEK Single

986013

NOTE: Unless noted otherwise, use the standard hardware torque specification chart.



The above parts group applies to the following Mfg. Nos.:

- 1694329 - Baron
- 1694346 - 2416H
- 1694482 - Baron
- 1694485 - 2417H

Engine Group - 16HP & 17HP Briggs & Stratton, INTEK Single

REF NO	PART NO.	QTY.	DESCRIPTION
1	1723467	1	MUFFLER, Briggs & Statton 16HP
2	*	1	GASKET
3	1936228	2	CAPSCREW, 5/16-18 x 3/4
4	1723165	1	HOSE, Oil Drain
5	*	1	DECAL, Engine, 16HP
5	*	1	DECAL, Engine, 17HP
6	*	1	ENGINE, 16HP Briggs & Stratton INTEK, Model 31F777, Type 0111
6	*	1	ENGINE, 17HP Briggs & Stratton INTEK, Model 31F777, Type 0111
7	1722950	1	SEAL, Circle
8	1722388	1	BULKHEAD
9	1925003	2	CAPSCREW, Hex Head Taptite, 1/4-20 x 1/2
10	1721949	1	CONTROL, Throttle
11	1701011	1	TIE, Wire
12	1703956	1	SWITCH, Oil Pressure, 16HP
13	960112	2	CLAMP, Hose Type E
14	1718678	1	HOSE, Fuel, 58" Long
15	1708264	1	WASHER, Special
16	1918199	1	LOCKWASHER, 7/16
17	1960648	1	CAPSCREW, Hex Head, 7/16-20 x 2-3/4
18	1720532	1	CLUTCH, Electric, Ogura
19	1722288	1	PULLEY & HUB ASSEMBLY
20	1720463	1	KEY, Hi Pro, 1/4 x 2-1/4
21	932747	1	TIE
22	930598	4	CAPSCREW, Hex Head Taptite, 3/8-16 x 1-1/2
23	920427	1	LOCKWASHER, External Tooth 3/8
24	1722414	1	SHIELD, Muffler Bottom
25	1960368	5	NUT, Speed, 1/4-20
26	1935255	2	NUT, Speed, 5/16-18
27	1722389	1	DUCT, Muffler Top
28	1960295	6	CAPSCREW, Hex Head Flange Lock, 1/4-20 x 5/8
29	1929000	3	CAPSCREW, Hex Head Taptite, 1/4-20 x 3/8
30	1924856	2	CAPSCREW, Hex Head Taptite, 5/16-18 x 1/2
31	934683	1	CLIP, Wire
32	1723897	1	GUARD, Manifold Pipe
33	1917356	2	LOCKWASHER, 5/16
34	1726465	1	PLATE, Limiter RPM
35	1726466	1	SCREW, Torx Taptite, #8-32 x 1/2

Footnotes

* See your local Briggs & Stratton distributor for parts and service.

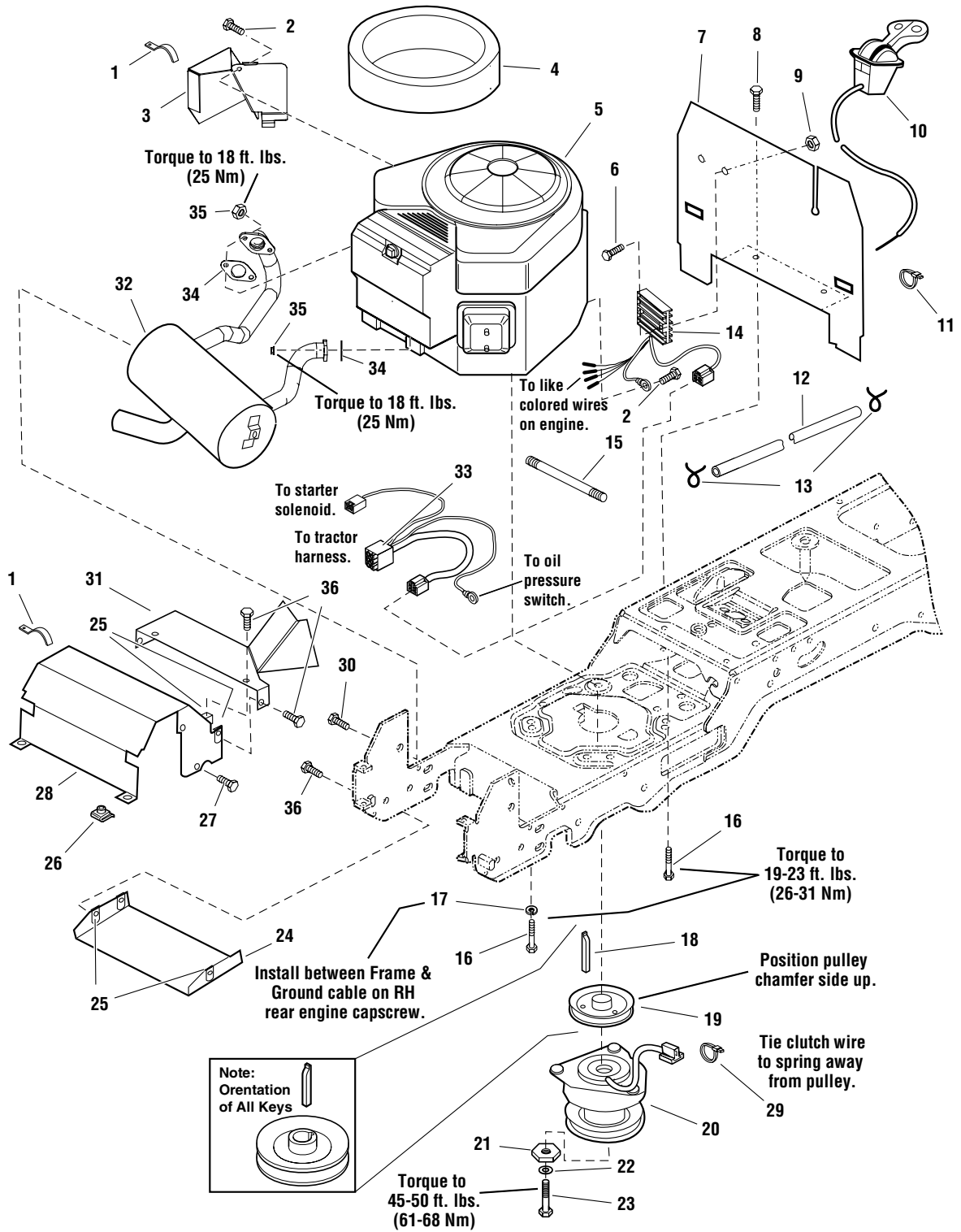
The above parts group applies to the following Mfg. Nos.:

1694329 - Baron
1694346 - 2416H
1694482 - Baron
1694485 - 2417H

Engine Group - 16HP Honda

986216

NOTE: Unless noted otherwise, use the standard hardware torque specification chart.



The above parts group applies to the following Mfg. Nos.:
1694315 - Baron

Engine Group - 16HP Honda

REF NO	PART NO.	QTY.	DESCRIPTION
1	934683	2	CLIP, Wire 1/8
2	960656	2	CAPSCREW, Hex Head, M06-1 x 12MM
3	1723526	1	SHIELD, Manifold, RH
4	1724197	1	SEAL, Foam
5	*	1	ENGINE, 16HP HONDA, Twin, Model GXV530, Type PX-A1
6	1960611	2	CAPSCREW, Hex Head, Whiz Flangelock, 1/4-20 x 1, Black
7	1722388	1	BULKHEAD
8	1925003	2	CAPSCREW, Hex Washer Head Taptite, 1/2-20 x 1/2, Black
9	1930641	2	NUT, Hex Flange Lock, 1/4-20
10	1721950	1	CONTROL, Throttle Double 39" Long w/Knobs
11	1701011	1	TIE, Wire, 7-5/16" Long
12	1718678	1	HOSE, Fuel, 59" Long
13	960112	2	CLAMP, Hose Type E
14	*	1	VOLTAGE REGULATOR
15	1723165	1	HOSE, Oil Drain, 10-1/2" Long, 3/8-18 Fittings
16	930598	4	CAPSCREW, Hex Washer Head Taptite, 3/8-16 x 1-1/2
17	920427	1	LOCKWASHER, External Tooth, 3/8
18	1720463	1	KEY, HI PRO, 1/4 x 2 1/2
19	1722288	1	PULLEY & HUB ASSEMBLY
20	1720532	1	CLUTCH, Electric, Ogura
21	1708264	1	WASHER, Hex, 7/16, Black
22	1918199	1	LOCKWASHER, 7/16
23	1960648	1	CAPSCREW, Hex Head, 7/16-20 x 3-3/4
24	1722414	1	SHIELD, Muffler Bottom
25	1960368	8	NUT, Speed, 1/4-20, Lug
26	1935255	2	NUT, Speed, 5/16-18, Lug, Black
27	1929000	8	CAPSCREW, Hex Washer Head Taptite, 1/4-20 x 3/8
28	1722389	1	DUCT, Muffler Top
29	932747	1	TIE, Self Locking, 3-5/8" Long
30	1924856	2	CAPSCREW, Hex Washer Head Taptite, 5/16-18 x 1/2 Black
31	1723973	1	DUCT, Muffler
32	1723970	1	MUFFLER, Honda
33	1723674	1	WIRE ASSEMBLY, Jumper (Earlier)
34	*	2	GASKET
35	1960525	4	NUT, Hex Flange, M06-1.0
36	1960295	8	CAPSCREW, Hex Head, 1/4-20 x 3/8

Footnotes

* See your local Honda Dealer for parts and service.

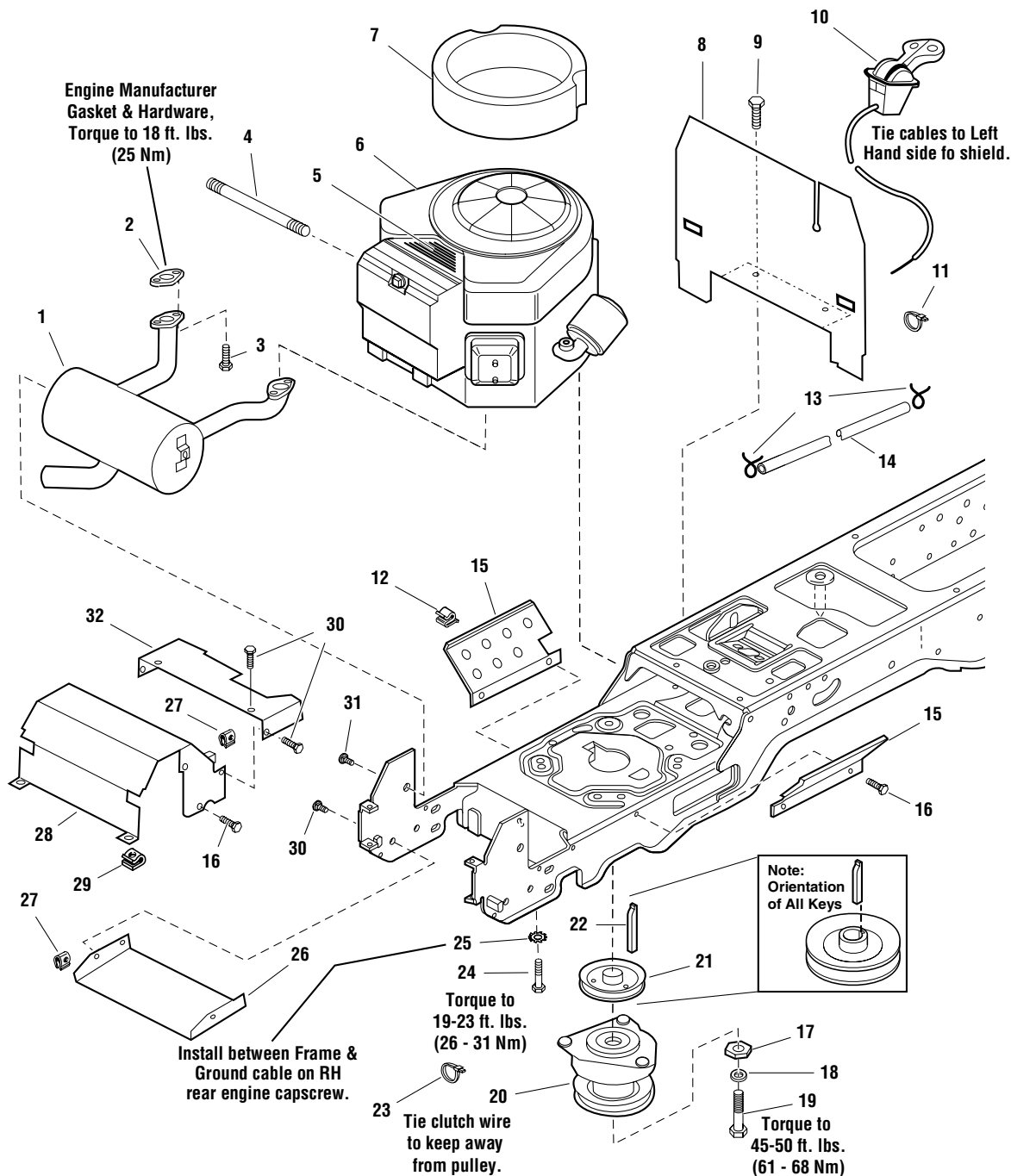
The above parts group applies to the following Mfg. Nos.:

1694315 - Baron

Engine Group - 18HP Briggs & Stratton, INTEK Twin

986012

NOTE: Unless noted otherwise,
use the standard hardware torque
specification chart.



The above parts group applies to the following Mfg. Nos.:

- 1694328 - Baron
- 1694347 - 2418H

Engine Group - 18HP Briggs & Stratton, INTEK Twin

REF NO	PART NO.	QTY.	DESCRIPTION
1	1721706	1	MUFFLER
2	*	2	GASKET
3	960660	4	CAPSCREW, Socket Head, 5/16-18 x 7/8, G8
4	1726370	1	HOSE, Oil Drain, 6.5 inches
5	*	1	DECAL, 18HP
6	*	1	ENGINE, 18 HP Briggs & Stratton INTEK Twin, Model 406777, Type 0162E1
7	1719847	1	SEAL, Circle
8	1722388	1	BULKHEAD
9	1925003	2	CAPSCREW, Hex Head Taptite, 1/4-20 x 1/2
10	1721950	1	CONTROL, Throttle Double 39" Long w/Knobs
11	1701011	1	TIE
12	934683	2	CLIP, Wire
13	960112	2	CLAMP, Hose Type E
14	1718678	1	HOSE, 58" Long
15	1722392	2	SHIELD
16	1929000	8	SCREW, Hex Head Taptite, 1/4-20 x 3/8
17	1708264	1	WASHER, Hex
18	1918199	1	LOCKWASHER, 7/16
19	1960648	1	CAPSCREW, Hex Head, 7/16-20 x 2-3/4
20	1720532	1	CLUTCH, Electric, OGURA
21	1722288	1	PULLEY & HUB ASSEMBLY, 4-1/2 OD
22	1720463	1	KEY
23	932747	1	TIE
24	930598	4	CAPSCREW, Hex Head Taptite, 3/8-16 x 1-1/2
25	920427	1	LOCKWASHER, External Tooth, 3/8
26	1722414	1	SHIELD, Muffler Bottom
27	1960368	8	NUT, Speed, 1/4-20
28	1722389	1	DUCT, Muffler Top
29	1935255	2	NUT, Speed, 5/16-18
30	1960295	8	CAPSCREW, Hex Head Flange Lock 1/4-20 x 5/8
31	1924856	2	CAPSCREW, Hex Head Taptite, 5/16-18 x 1/2
32	1722390	1	DUCT, Muffler Extension

Footnotes

* See your local Briggs & Stratton distributor for parts and service.

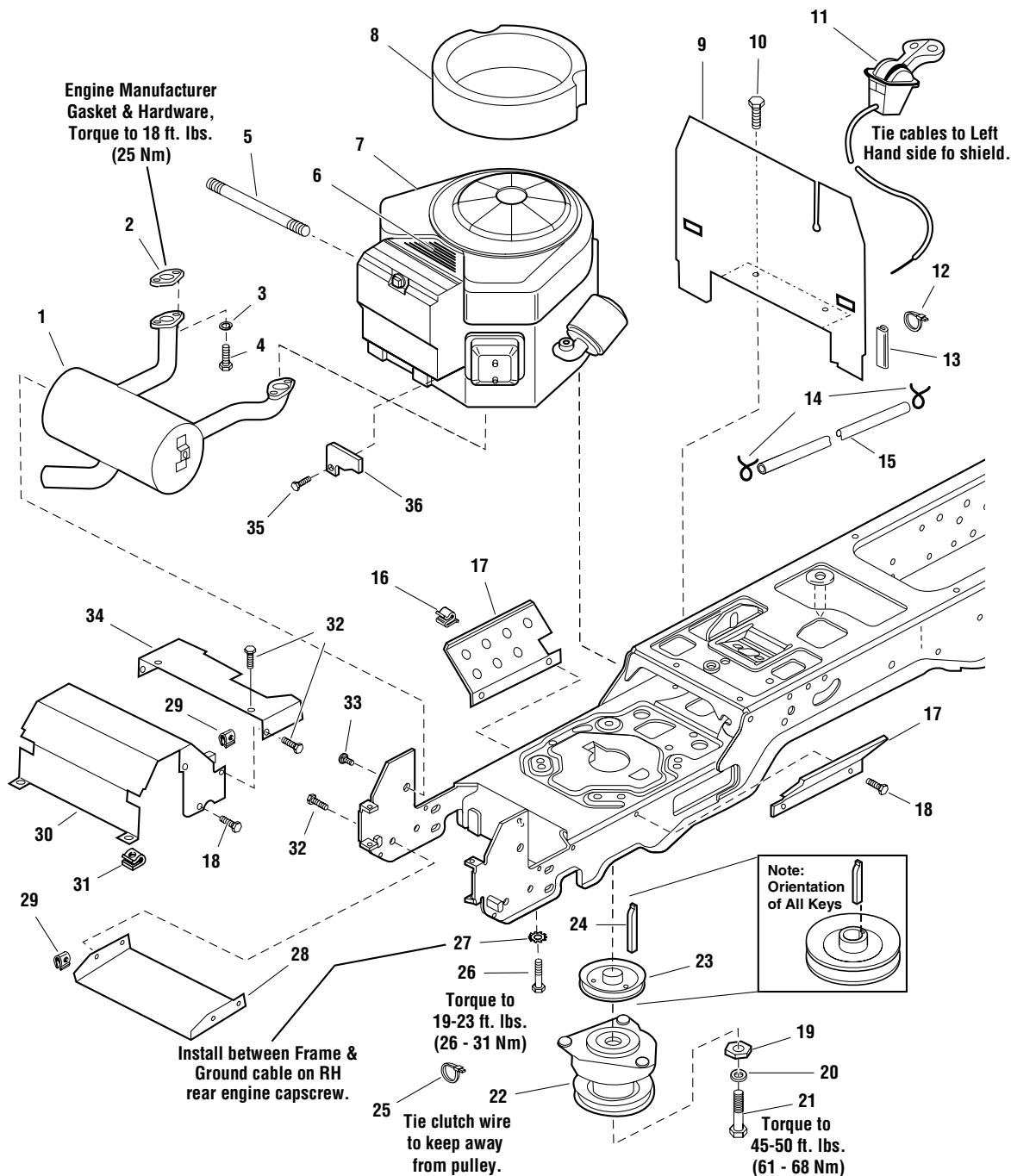
The above parts group applies to the following Mfg. Nos.:

1694328 - Baron
1694347 - 2418H

Engine Group - 20HP Briggs & Stratton, INTEK Twin

986067

NOTE: Unless noted otherwise,
use the standard hardware torque
specification chart.



The above parts group applies to the following Mfg. Nos.:

- 1694481 - Baron
- 1694483 - 2420H

Engine Group - 20HP Briggs & Stratton, INTEK Twin

REF NO	PART NO.	QTY.	DESCRIPTION
1	1721706	1	MUFFLER
2	*	2	GASKET
3	1917356	4	LOCKWASHER, 5/16
4	960660	4	CAPSCREW, Socket Head, 5/16-18 x 7/8, G8
5	1723165	1	HOSE, Oil Drain
6	*	1	DECAL, 20HP
7	*	1	ENGINE, 20 HP Briggs & Stratton INTEK Twin, Model 406777, Type 0162E1
8	1719847	1	SEAL, Circle
9	1722388	1	BULKHEAD
10	1925003	2	CAPSCREW, Hex Head Taptite, 1/4-20 x 1/2
11	1721950	1	CONTROL, Throttle Double 39" Long w/Knobs
12	1701011	1	TIE
13	1723894	1	EDGING, Rubber
14	960112	2	CLAMP, Hose Type E
15	1718678	1	HOSE, 58" Long
16	934683	2	CLIP, Wire
17	1722392	2	SHIELD
18	1929000	8	SCREW, Hex Head Taptite, 1/4-20 x 3/8
19	1708264	1	WASHER, Hex
20	1918199	1	LOCKWASHER, 7/16
21	1960648	1	CAPSCREW, Hex Head, 7/16-20 x 2-3/4
22	1720532	1	CLUTCH, Electric, OGURA
23	1722288	1	PULLEY & HUB ASSEMBLY, 4-1/2 OD
24	1720463	1	KEY
25	932747	1	TIE
26	930598	4	CAPSCREW, Hex Head Taptite, 3/8-16 x 1-1/2
27	920427	1	LOCKWASHER, External Tooth, 3/8
28	1722414	1	SHIELD, Muffler Bottom
29	1960368	8	NUT, Speed, 1/4-20
30	1722389	1	DUCT, Muffler Top
31	1935255	2	NUT, Speed, 5/16-18
32	1960295	8	CAPSCREW, Hex Head Flange Lock 1/4-20 x 5/8
33	1924856	2	CAPSCREW, Hex Head Taptite, 5/16-18 x 1/2
34	1722390	1	DUCT, Muffler Extension
35	1678419	1	SCREW, Trox Head Taptite, 1/4-20 x 1/2
36	1726464	1	PLATE, Limiter RPM

Footnotes

* See your local Briggs & Stratton distributor for parts and service.

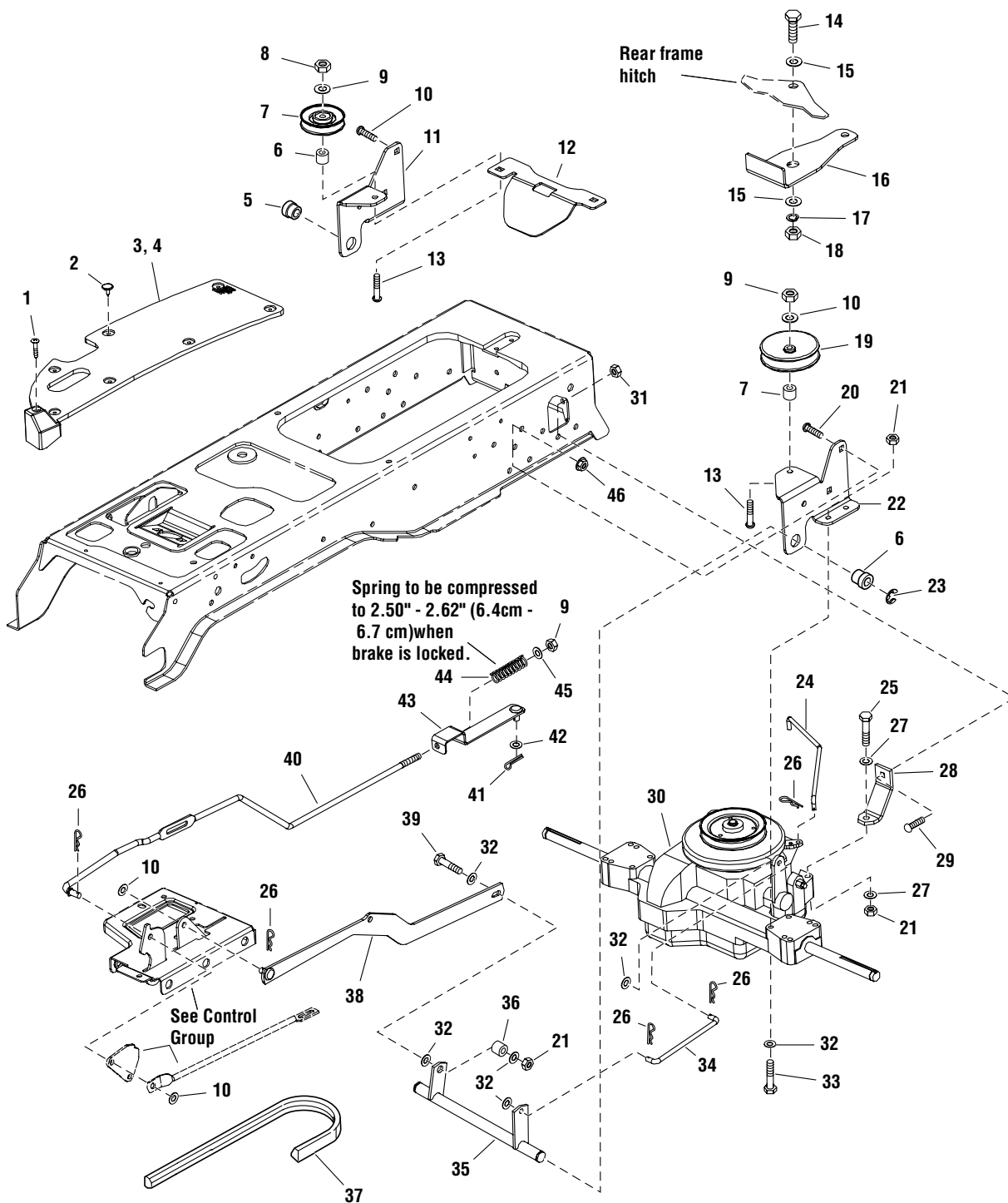
The above parts group applies to the following Mfg. Nos.:

1694481 - Baron
1694483 - 2420H

Transmission Group - Tuff Torq K-46Q

986231

NOTE: Unless noted otherwise,
use the standard hardware torque
specification chart.



The above parts group applies to the following Mfg. Nos.:

- | | |
|-----------------|-----------------|
| 1694329 - Baron | 1694485 - 2417H |
| 1694328 - Baron | 1694481 - Baron |
| 1694315 - Baron | 1694483 - 2420H |
| 1694346 - 2416H | |
| 1694347 - 2418H | |
| 1694482 - Baron | |

Transmission Group - Tuff Torq K-46Q

REF NO	PART NO.	QTY.	DESCRIPTION
1	1960676	2	SCREW, Pan Head Trox Taptite, 1/4-20 x 1-1/4
2	1704351	15	FASTENER, Panel
3	1722173	1	PAD, Footrest, RH
4	1722174	1	PAD, Footrest, LH
5	176440	2	BUSHING
6	1667812	2	SPACER
7	174561	1	PULLEY, 3" OD
8	1919439	3	NUT, Hex Lock ESNA, 3/8-16
9	1924940	3	WASHER
10	1960268	2	CARRIAGE BOLT, 3/8-16 x 1-1/4
11	1723035	1	SUPPORT, Transmission, RH
12	1723037	1	BRACKET, Chute
13	1931355	2	CARRIAGE BOLT, 3/8-16 x 2-1/4
14	1921176	1	CAPSCREW, Hex Head, 1/2-13 x 1-1/4
15	1960170	2	WASHER
16	1724578	1	DRAWBAR
17	1916966	1	LOCKWASHER, 1/2
18	1916951	1	NUT, Hex 1/2-13
19	1723952	1	PULLEY, 4" OD, Idler
20	1931350	2	CARRIAGE BOLT, 3/8-16 x 1
21	1919438	6	NUT, Hex Lock ESNA, 5/16-18
22	1723036	1	SUPPORT, Transmisson, LH
23	927794	2	RING, "E"
24	1723234	1	ROD, Free Wheel
25	1921978	1	CAPSCREW, Hex Head, 5/16-18 x 2
26	1722460	5	PIN, Quick
27	1960141	2	WASHER
28	1723042	1	STRAP, Torque
29	1931333	1	CARRIAGE BOLT, 5/16-18 x 3/4
30	1721022	1	TRANSMISSION ASSEMBLY, K46Q
31	1960636	1	NUT, Hex KEPS, 5/16-18
32	1919326	9	WASHER
33	1921719	4	CAPSCREW, Hex Head, 5/16-18 x 2-1/2
34	1723045	1	ROD
35	1723038	1	SHAFT ASSEMBLY
36	1666697	1	SPACER
37	1723268	1	V-BELT, Drive
38	1723043	1	ARM & PIN ASSEMBLY
39	1921333	1	CAPSCREW, Hex Head, 5/16-18 x 1
40	1723090	1	ROD, Brake
41	1918447	1	PIN, Cotter
42	1922755	1	WASHER
43	1723267	1	BRACKET & PIN ASSEMBLY
44	8191045	1	SPRING, Compression

Footnotes

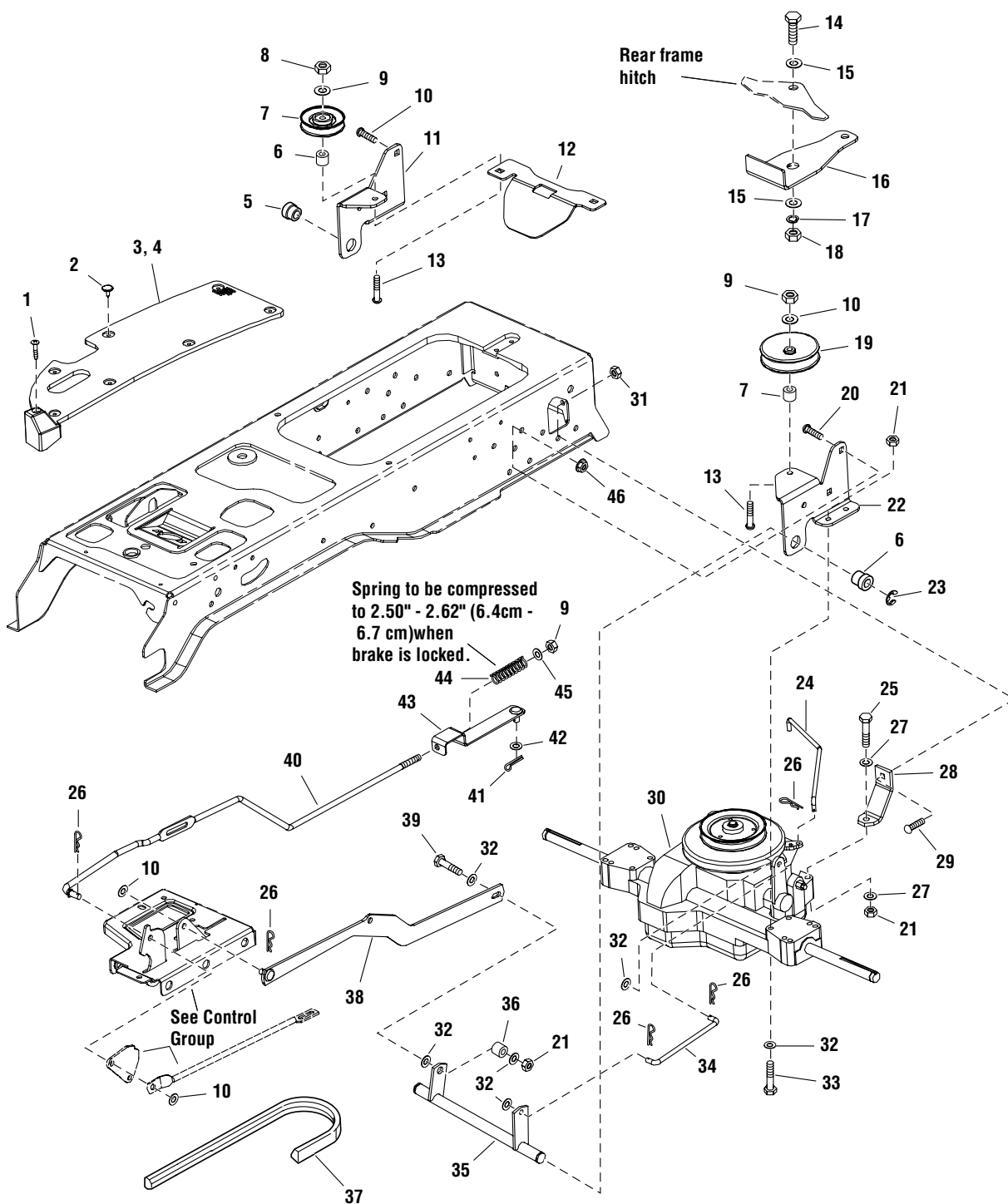
The above parts group applies to the following Mfg. Nos.:

1694329 - Baron
 1694328 - Baron
 1694315 - Baron
 1694346 - 2416H
 1694347 - 2418H
 1694482 - Baron
 1694485 - 2417H
 1694481 - Baron
 1694483 - 2420H

Transmission Group - Tuff Torq K-46Q

986231

NOTE: Unless noted otherwise,
use the standard hardware torque
specification chart.



The above parts group applies to the following Mfg. Nos.:

- | | |
|-----------------|-----------------|
| 1694329 - Baron | 1694485 - 2417H |
| 1694328 - Baron | 1694481 - Baron |
| 1694315 - Baron | 1694483 - 2420H |
| 1694346 - 2416H | |
| 1694347 - 2418H | |
| 1694482 - Baron | |

Transmission Group - Tuff Torq K-46Q

REF NO	PART NO.	QTY.	DESCRIPTION
45	1960103	1	WASHER
46	1960637	4	NUT, Hex KEPS, 3/8-16

Footnotes

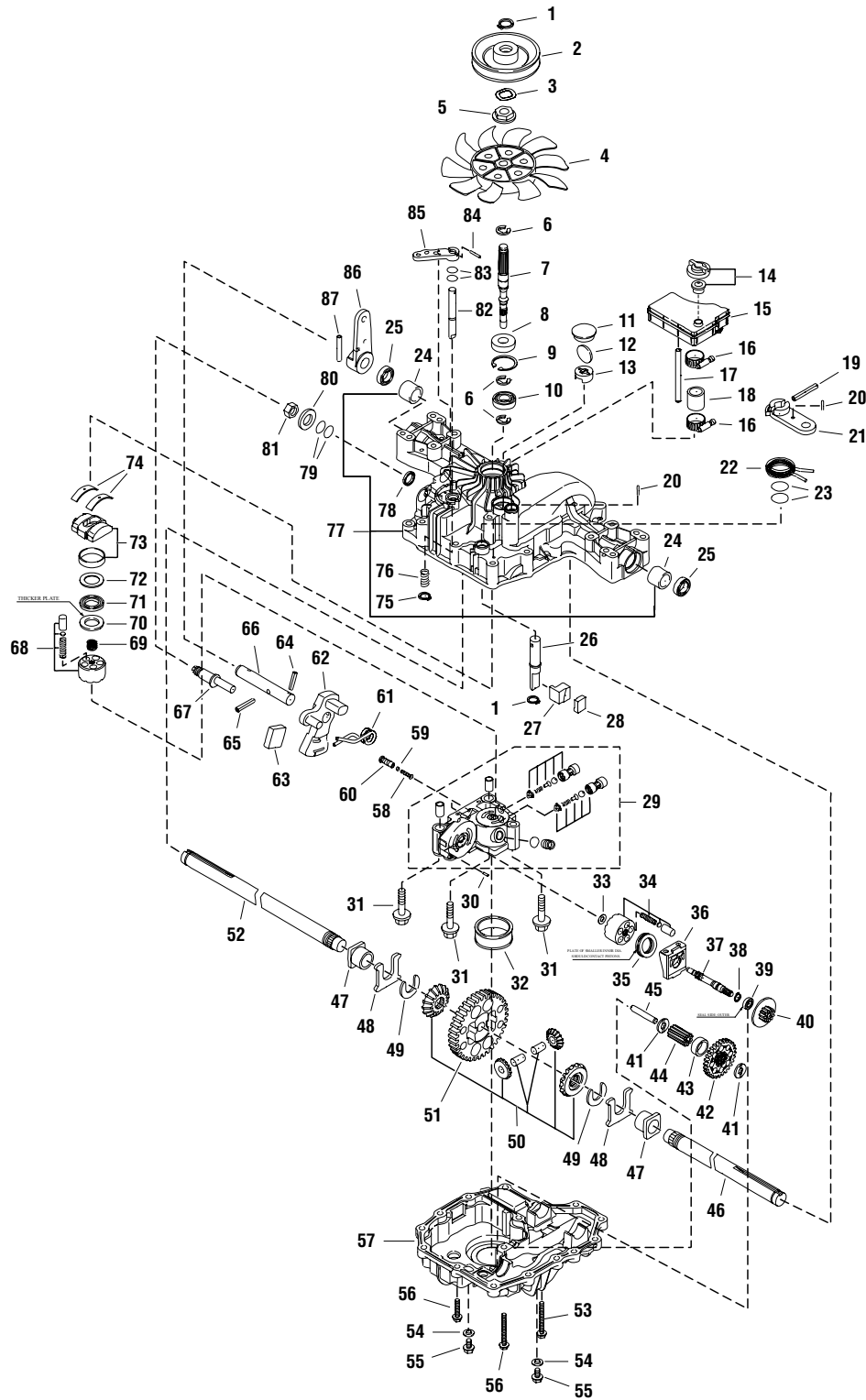
The above parts group applies to the following Mfg. Nos.:

1694329 - Baron
1694328 - Baron
1694315 - Baron
1694346 - 2416H
1694347 - 2418H
1694482 - Baron
1694485 - 2417H
1694481 - Baron
1694483 - 2420H

Transmission SERVICE PARTS - Tuff Torq K-46Q Transaxle

NOTE: Unless noted otherwise,
use the standard hardware torque
specification chart.

1721022



The above parts group applies to the following Mfg. Nos.:

- | | |
|-----------------|-----------------|
| 1694329 - Baron | 1694485 - 2417H |
| 1694328 - Baron | 1694481 - Baron |
| 1694315 - Baron | 1694483 - 2420H |
| 1694346 - 2416H | |
| 1694347 - 2418H | |
| 1694482 - Baron | |

Transmission SERVICE PARTS - Tuff Torq K-46Q Transaxle

REF NO	PART NO.	QTY.	DESCRIPTION
1	1724316	2	SNAP RING
2	1724313	1	PULLEY
3	1724315	1	LOCK WASHER
4	1724314	1	FAN
5	1724312	2	SPLINE COLLAR
6	1718076	3	RING, "E"
7	1724291	1	PUMP SHAFT
8	1724283	1	SEAL
9	1708650	1	RING, Snap
10	1718083	1	BEARING
11	1724282	1	SEALING CAP
12	1724279	2	MAGNET
13	1724337	1	HOLDER, MAGNET
14	1718052	1	VENT VALVE
15	1724334	1	RESERVOIR TANK
16	1724336	2	MINIATURE CLAMP
17	1724339	1	SUPPORT
18	1724335	1	TUBE
19	1724310	1	PIN
20	1720421	2	PIN
21	1724306	1	ARM, Brake
22	1724308	1	RETURN SPRING
23	1708690	2	"O" RING
24	1720814	2	BUSHING
25	1718111	2	SEAL
26	1724307	1	SHAFT, BRAKE
27	1724309	1	ACTUATOR, Brake
28	1724305	1	SHOE, BRAKE
29	1724340	1	CENTER CASE, Complete
30	1718070	1	PIN
31	1720805	3	BOLT
32	1724341	1	FILTER K55
33	1718084	1	WASHER
34	1718079	1	CYLINDER BLOCK
35	1718078	1	BEARING
36	1718077	1	HOUSING
37	1724293	1	SHAFT MOTOR
38	1708672	1	RING, Snap
39	1718083	1	BEARING
40	1724294	1	MOTOR GEAR
41	1720439	2	WASHER
42	1724301	1	REDUCTION GEAR
43	1724299	1	COLLAR, Final
44	1724302	1	FINAL PINION

Footnotes

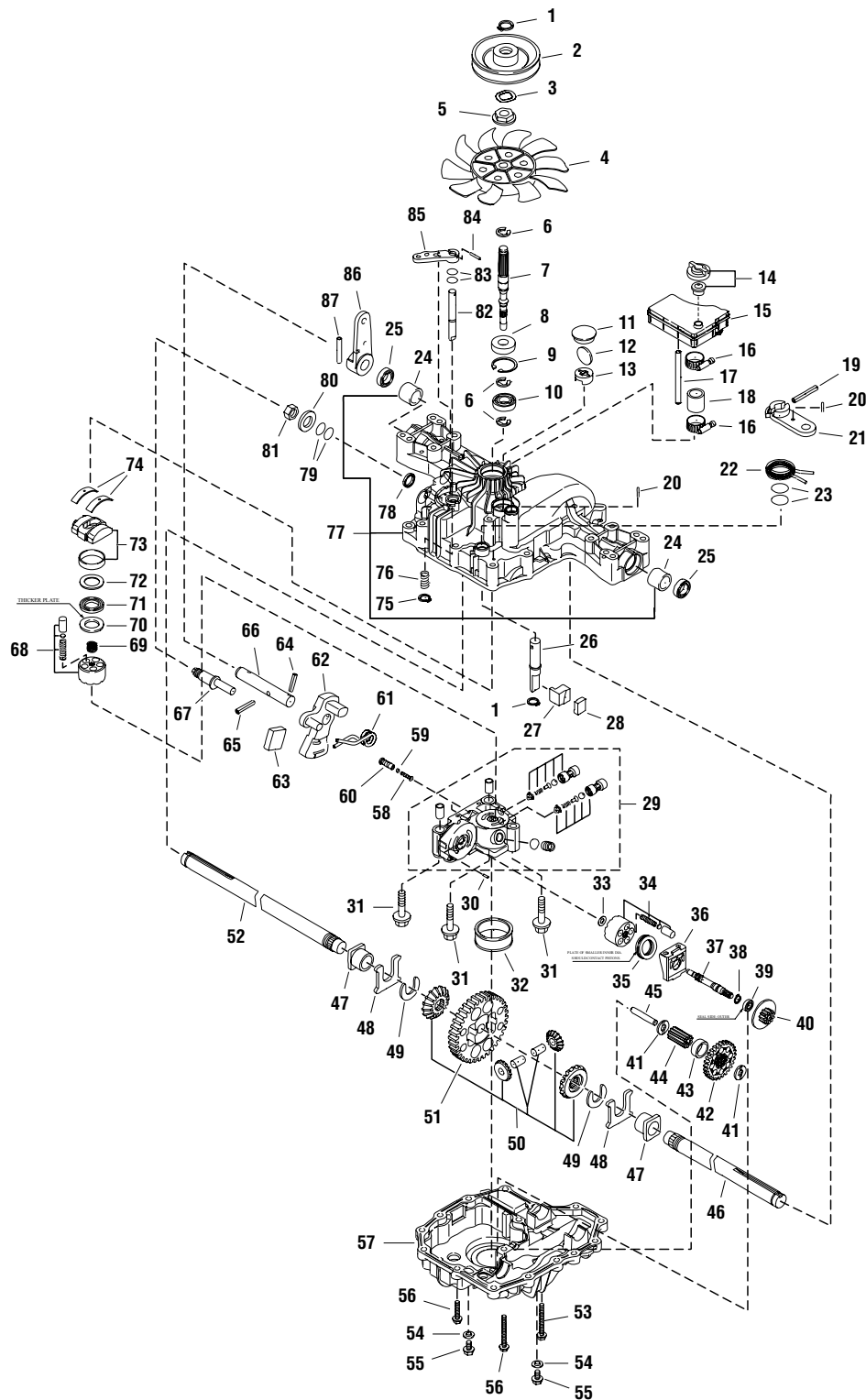
The above parts group applies to the following Mfg. Nos.:

1694329 - Baron 1694485 - 2417H
 1694328 - Baron 1694481 - Baron
 1694315 - Baron 1694483 - 2420H
 1694346 - 2416H
 1694347 - 2418H
 1694482 - Baron

Transmission SERVICE PARTS - Tuff Torq K-46Q Transaxle

1721022

NOTE: Unless noted otherwise,
use the standard hardware torque
specification chart.



The above parts group applies to the following Mfg. Nos.:

- | | |
|-----------------|-----------------|
| 1694329 - Baron | 1694485 - 2417H |
| 1694328 - Baron | 1694481 - Baron |
| 1694315 - Baron | 1694483 - 2420H |
| 1694346 - 2416H | |
| 1694347 - 2418H | |
| 1694482 - Baron | |

Transmission SERVICE PARTS - Tuff Torq K-46Q Transaxle

REF NO	PART NO.	QTY.	DESCRIPTION
45	1724300	1	REDUCTION SHAFT
46	1724303	1	AXLE SHAFT, LH
47	1718110	2	BUSHING
48	1718112	2	THRUST WASHER
49	1718113	2	RING
50	1724297	2	DIFF PINION, Kit
51	1724298	1	FINAL GEAR
52	1724304	1	AXLE SHAFT, RH
53	1707789	14	SCREW, Tapping
54	1724323	2	WASHER, Seal
55	1724324	2	SCREW, Cap
56	1724284	2	TAPPING SCREW
57	1724278	1	LOWER HOUSING
58	1724287	2	IDS SPRING
59	1724288	2	BALL, 3/16
60	1724286	2	IDS VALVE
61	1724345	1	SPRING, Torsion
62	1724346	1	CONTROL ARM
63	1724348	1	JERKY PLATE
64	1724349	1	COTTER PIN
65	1724311	2	PIN, SPRING
66	1724343	1	CONTROL SHAFT
67	1724344	1	FULCRUM, Eccentric
68	1725831	1	CYLINDER BLOCK
69	1724290	1	SPRING, Pump
70	1718088	1	THRUST PLATE
71	1718086	1	BEARING
72	1718087	1	THRUST PLATE
73	1720426	1	SWASH PLATE COMPLETE
74	1724342	2	THRUST METAL
75	1718061	1	RING
76	1708684	1	SPRING
77	1724350	1	UPPER HOUSING
78	1724318	1	OIL SEAL
79	1707879	2	"O" RING
80	1708689	1	WASHER
81	1708692	1	NUT
82	1724338	1	SHAFT, Bypass
83	1708691	2	"O" RING
84	1707839	1	ROLL PIN
85	1720418	1	LEVER, Bypass
86	1724347	1	CONTROL LEVER
87	1718100	1	PIN, Roll

Footnotes

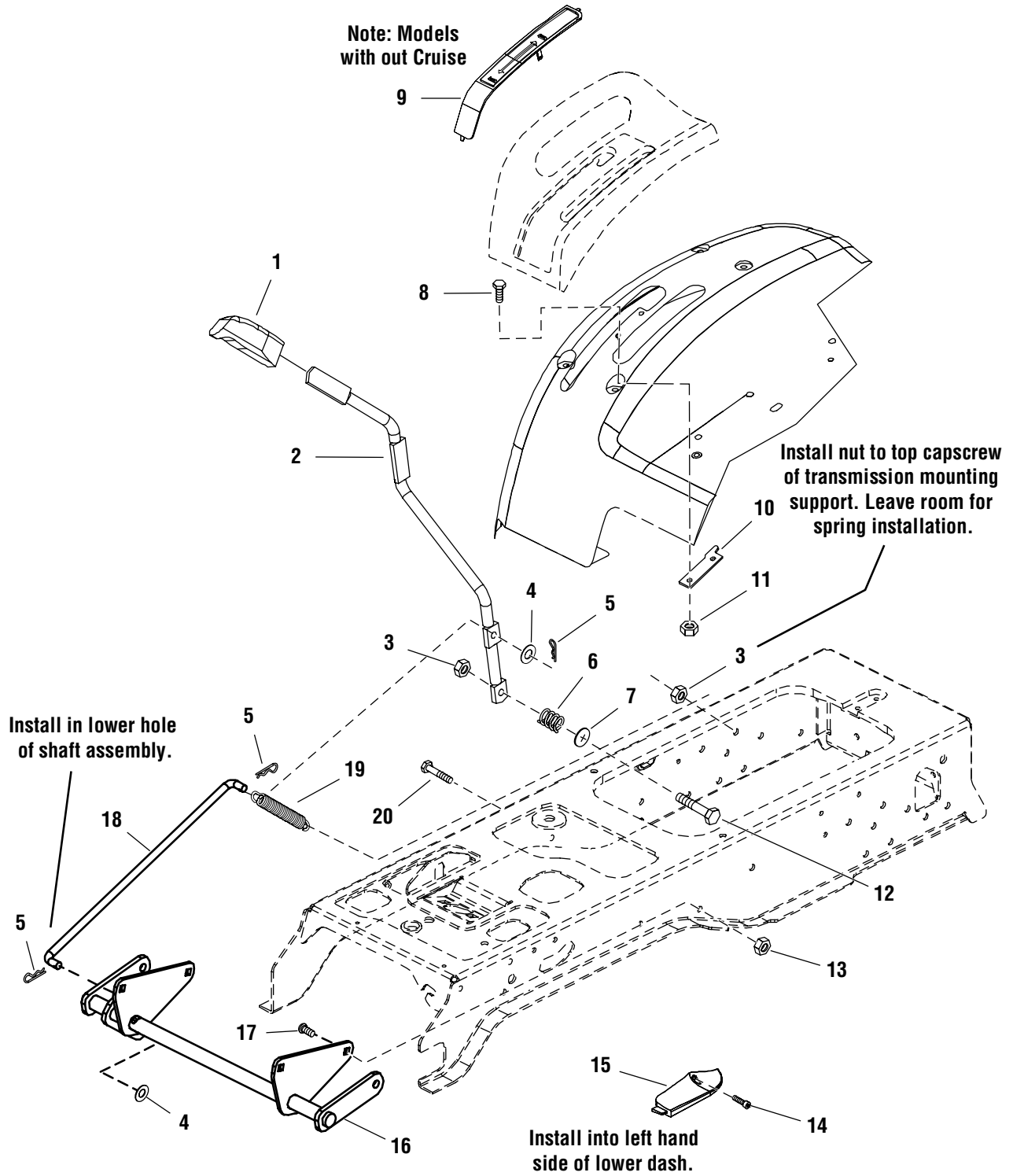
The above parts group applies to the following Mfg. Nos.:

1694329 - Baron 1694485 - 2417H
 1694328 - Baron 1694481 - Baron
 1694315 - Baron 1694483 - 2420H
 1694346 - 2416H
 1694347 - 2418H
 1694482 - Baron

Lift Group

986289

NOTE: Unless noted otherwise, use the standard hardware torque specification chart.



The above parts group applies to the following Mfg. Nos.:

- | | |
|-----------------|-----------------|
| 1694329 - Baron | 1694485 - 2417H |
| 1694328 - Baron | 1694481 - Baron |
| 1694315 - Baron | 1694483 - 2420H |
| 1694346 - 2416H | |
| 1694347 - 2418H | |
| 1694482 - Baron | |

Lift Group

REF NO	PART NO.	QTY.	DESCRIPTION
1	1722302	1	GRIP, Black Vinyl
2	1722024	1	ROD, Lift Lever
3	1930645	2	NUT, Hex Flange Lock, 3/8-16
4	1924940	2	WASHER
5	1722460	2	PIN, Quick
6	162085	1	SPRING, Compression
7	1723866	1	NUT, Push, 3/8
8	1923341	2	CAPSCREW, Hex Head, 1/4-20 x 3/4
9	1722313	1	COVER, W/Lift Icon, Models with out Cruise
10	1722284	1	QUADRANT
11	1920397	2	NUT, Hex Lock ESNA, 1/4-20
12	1923701	1	CAPSCREW, Hex Head, 3/8-16 x 2
13	1960636	4	NUT, KEPS Lock, 5/16-18
14	1722607	1	SCREW, Torx Head, # 8-16 x 1/2
15	1722285	1	COVER, Dash
16	1726404	1	LIFT SHAFT ASSEMBLY
17	1931333	1	CARRIAGE BOLT, 5/16-18 x 3/4
18	1725037	1	ROD, Lift
19	156302	1	SPRING, Extension
20	1921977	1	CAPSCREW, Hex Head, 5/16-18 x 1-1/4

Footnotes

The above parts group applies to the following Mfg. Nos.:

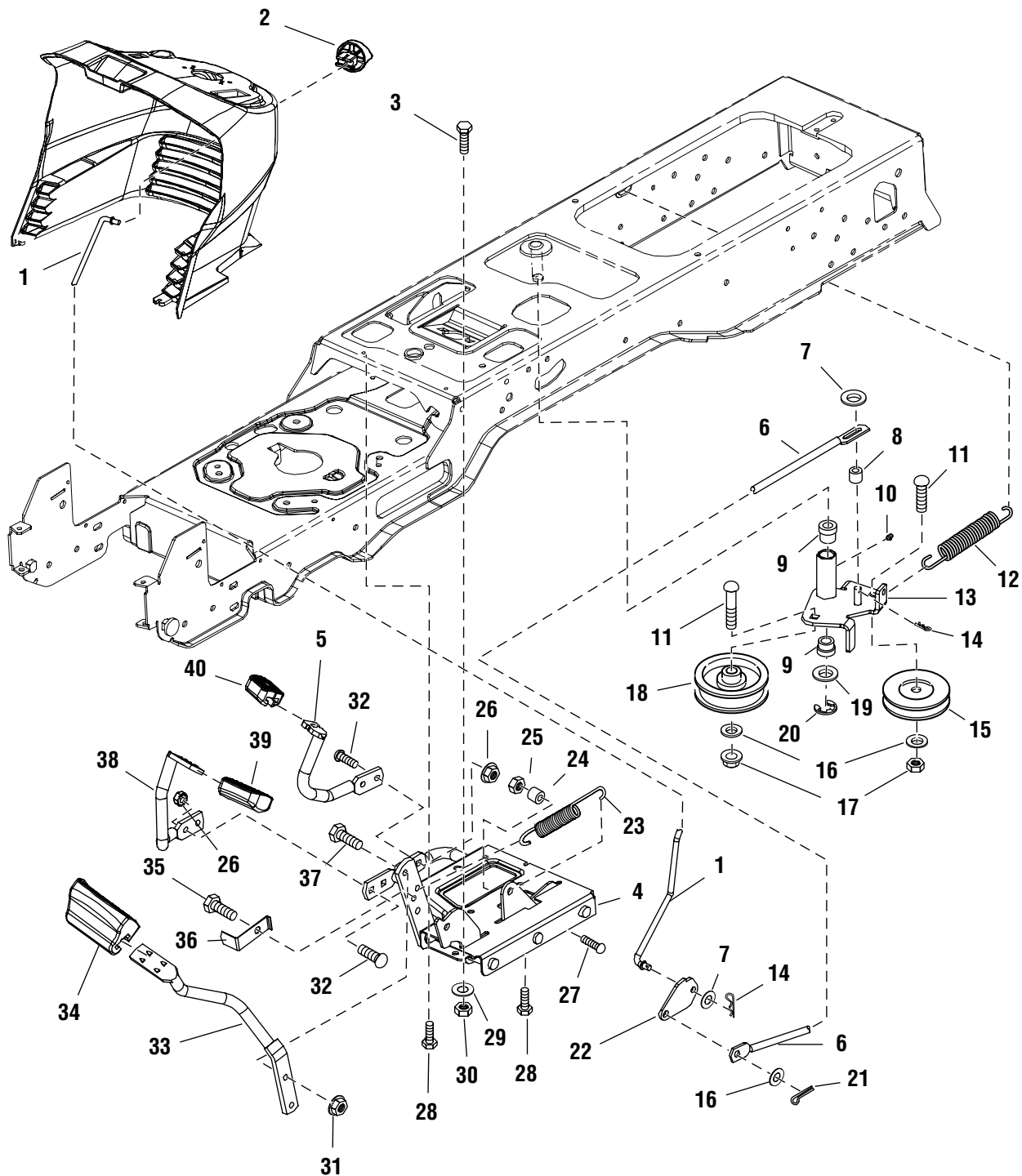
1694329 - Baron
1694328 - Baron
1694315 - Baron
1694346 - 2416H
1694347 - 2418H
1694482 - Baron

1694485 - 2417H
1694481 - Baron
1694483 - 2420H

Controls Group

986014

NOTE: Unless noted otherwise,
use the standard hardware torque
specification chart.



The above parts group applies to the following Mfg. Nos.:

- | | |
|-----------------|-----------------|
| 1694329 - Baron | 1694485 - 2417H |
| 1694328 - Baron | 1694481 - Baron |
| 1694315 - Baron | 1694483 - 2420H |
| 1694346 - 2416H | |
| 1694347 - 2418H | |
| 1694482 - Baron | |

Controls Group

REF NO	PART NO.	QTY.	DESCRIPTION
1	1721353	1	ROD, Brake
2	1721891	1	KNOB, Push On, Red
3	1930591	1	CAPSCREW, Hex Head Flange Lock, 5/16-18 x 3/4
4	1722084	1	PEDAL ASSEMBLY
5	1722071	1	PEDAL, Reverse
6	1723094	1	ROD, Brake (Flat Ends)
7	1919326	2	WASHER
8	1723242	1	SPACER, (Earlier Only)
9	1663114	2	BUSHING
10	1704314	1	FITTING, Lube, Ball Check
11	1931353	2	CARRIAGE BOLT, 3/8-16 x 1-3/4
12	1725250	1	SPRING, Extension
13	1724036	1	ARM & HUB ASSEMBLY, (Earlier, Requires Ref. No.8)
13	1726882	1	ARM & HUB ASSEMBLY, (Later, Does use Ref. No. 8)
14	1722460	2	PIN, Quick
15	1721134	1	PULLEY ASSEMBLY, 3" OD, W/Bearing
16	1924940	3	WASHER
17	1919439	2	NUT, Hex Lock ESNA, 3/8-16
18	1721133	1	PULLEY, Idler, 2-3/4 OD
19	1960020	1	WASHER
20	1704420	1	RING, Clipping
21	1918447	1	PIN, Cotter
22	1721354	1	LATCH, Brake
23	1721995	1	SPRING, Extension
24	1686612	1	CAM, Roller
25	1920397	1	NUT, Hex Lock ESNA, 1/4-20
26	1960636	4	NUT, Hex KEPS, 5/16-18
27	1931320	1	CARRIAGE BOLT, 1/4-20 x 1-1/4
28	1960541	3	CAPSCREW, Hex Head Taptite, 5/16-18 x 3/4
29	1919381	1	WASHER
30	1919438	1	NUT, Hex Lock ESNA, 5/16-18
31	1927557	2	NUT, Hex Flange Lock, 5/16-18
32	1931334	4	CARRIAGE BOLT, 5/16-18 x 7/8
33	1722535	1	PEDAL, Brake
34	1721577	1	PAD, Brake Pedal
35	1923683	1	CAPSCREW, Hex Head Taptite, 3/8-16 x 3/4
36	1722083	1	ACTUATOR, Switch
37	1921333	2	CAPSCREW, Hex Head, 5/16-18 x 1
38	1722070	1	PEDAL, Forward
39	1721675	1	PAD, Foot Pedal Forward
40	1721674	1	PAD, Foot Pedal Reverse

Footnotes

The above parts group applies to the following Mfg. Nos.:

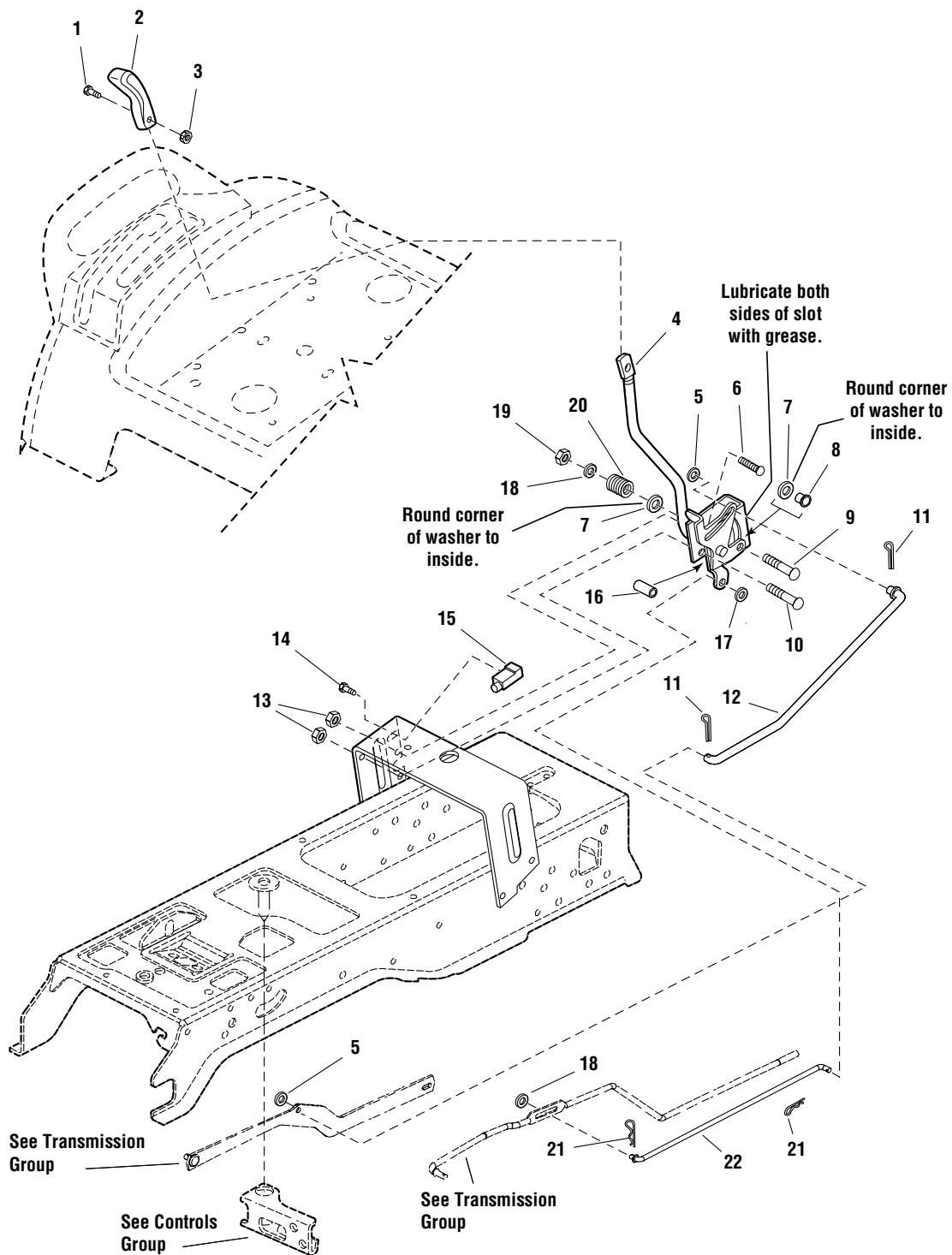
1694329 - Baron
1694328 - Baron
1694315 - Baron
1694346 - 2416H
1694347 - 2418H
1694482 - Baron

1694485 - 2417H
1694481 - Baron
1694483 - 2420H

Cruise Control Group

986045

NOTE: Unless noted otherwise, use the standard hardware torque specification chart.



The above parts group applies to the following Mfg. Nos.:

- 1694328 - Baron
- 1694315 - Baron
- 1694347 - 2418H
- 1694481 - Baron
- 1694483 - 2420H

Cruise Control Group

REF NO	PART NO.	QTY.	DESCRIPTION
1	1960666	1	CAPSCREW, Torx Socket Head, 1/4-20 x 7/8
2	1722303	1	KNOB, Cruise
3	1920397	1	NUT, Hex ESNA Lock, 1/4-20
4	1723258	1	LEVER & BRACKET ASSEMBLY, Cruise
5	1924940	3	WASHER
6	1931333	1	CARRIAGE BOLT, 5/16-18 x 3/4
7	926192	2	WASHER, 9/16 x 1-1/4 x 1/8
8	1709043	1	SPACER
9	1931342	1	CARRIAGE BOLT, 5/16-18 x 2-3/4
10	1960273	1	CARRIAGE BOLT, 5/16-18 x 2-1/4
11	1918447	2	PIN, Cotter
12	1723098	1	ROD, Cruise
13	1960636	2	NUT, Hex KEPS, 5/16-18
14	1960001	2	CAPSCREW, Hex Head Plastite, 10-14 x 5/8
15	1717050	1	SWITCH, Push, Neutral Start, Gray
16	1722080	1	SPACER
17	1919326	1	WASHER
18	1919381	2	WASHER
19	1919438	1	NUT, Hex ESNA Lock, 5/16-18
20	1677746	1	SPRING, Compression
21	1722460	2	PIN, Quick
22	1723099	1	ROD, Cruise Return

Footnotes

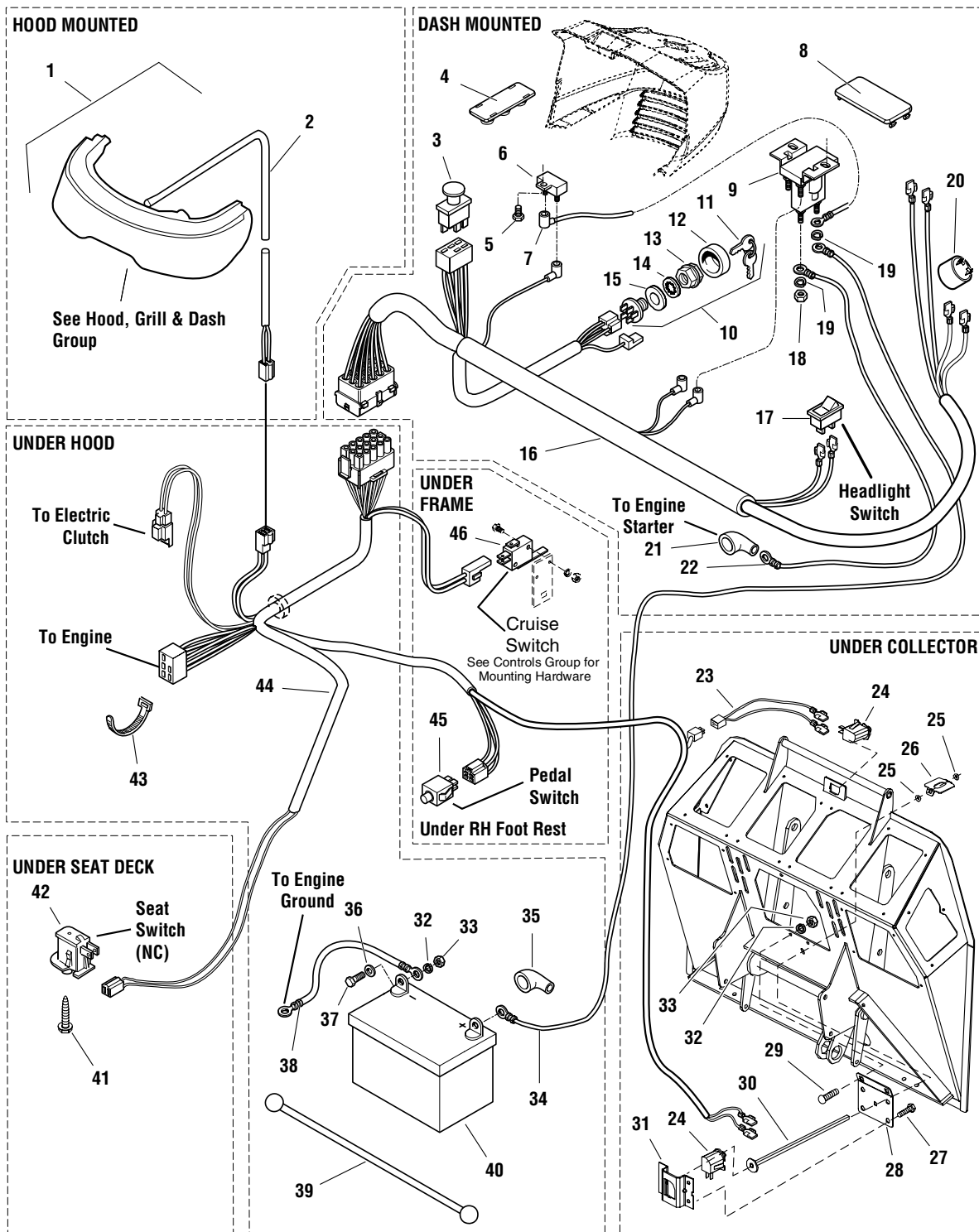
The above parts group applies to the following Mfg. Nos.:

1694328 - Baron
1694315 - Baron
1694347 - 2418H
1694481 - Baron
1694483 - 2420H

Electrical Group - 16HP & 17HP Briggs & Stratton, INTEK Single

986229

NOTE: Unless noted otherwise, use the standard hardware torque specification chart.



The above parts group applies to the following Mfg. Nos.:

- 1694329 - Baron
- 1694346 - 2416H
- 1694482 - Baron
- 1694485 - 2417H

Electrical Group - 16HP & 17HP Briggs & Stratton, INTEK Single

REF NO	PART NO.	QTY.	DESCRIPTION
1	1721810	1	HEADLIGHT ASSEMBLY
2	1722669	1	HARNESS, Headlight Assembly
3	1722887	1	SWITCH, PTO, Push/Pull
4	1722611	1	PLUG, Hole
5	1921959	2	CAPSCREW, Hex Head, 1/4 x 5/8
6	1665238	1	BREAKER, Circuit 12Volt, 20Amps
7	1665237	1	WIRE, 12GA, 5.9" Long, Red
8	1723648	1	PLUG, Dash, Early Models
8	1725698	1	PLUG, Dash, Later Models
9	1722739	1	SOLENOID
10	1686734	1	SWITCH ASMY, Ignition, 6 Pin, (Includes Ref. Nos. 11, 12, 13, 14, & 15)
11	1717163	2	KEY, Ignition
12	1717550	1	COVER
13	1717549	1	NUT, Hex Flange, 5/8-32
14	1960547	1	LOCKWASHER, Internal Tooth, 5/8
15	101025	2	WASHER
16	1722715	1	HARNESS, Wiring Upper, Early Models
16	1725682	1	HARNESS, Wiring Upper, Later Models
17	1716951	1	SWITCH, Headlights , 2 Terminal
18	1920263	2	NUT, Hex, 5/16-24
19	920426	3	LOCKWASHER, External Tooth, 5/16
20	1720117	1	BUZZER, Pulse, Bag Full
21	1713535	1	BOOT, Insulator
22	1721830	1	CABLE, # 6, 25" Long, Red
23	1723954	1	HARNESS, Rear
24	1704379	2	SWITCH, Push Button, Black
25	1723613	2	"O"- RING
26	1723612	1	PAD, Acuator
27	1925003	4	CAPSCREW, Hex Head Taptite, 1/4-20 x 1/2
28	1724548	1	BRACKET, Switch
29	1960252	2	CARRIAGE BOLT 1/4-20 x 5/8
30	1725981	1	ROD & WASHER ASSEMBLY, Hopper
31	1720118	1	BRACKET, Hopper Switch
32	916964	2	LOCKWASHER
33	916622	2	NUT, Hex, 1/4-20
34	1603618	1	CABLE, # 6, 9" Long
35	1677296	1	BOOT, Insulator Battery Terminal
36	921319	2	WASHER
37	923341	2	CAPSCREW, Hex Head, 1/4-20 x 3/4
38	1713163	1	CABLE, # 6, 26" Long
39	1722009	1	STRAP, Battery
40	1685215	1	BATTERY, 12Volt
41	1960536	2	SCREW, Hex Washer Head Plastite, 1/4-20
42	1716368	1	SWITCH, Operator Present, NC, Grey

Footnotes

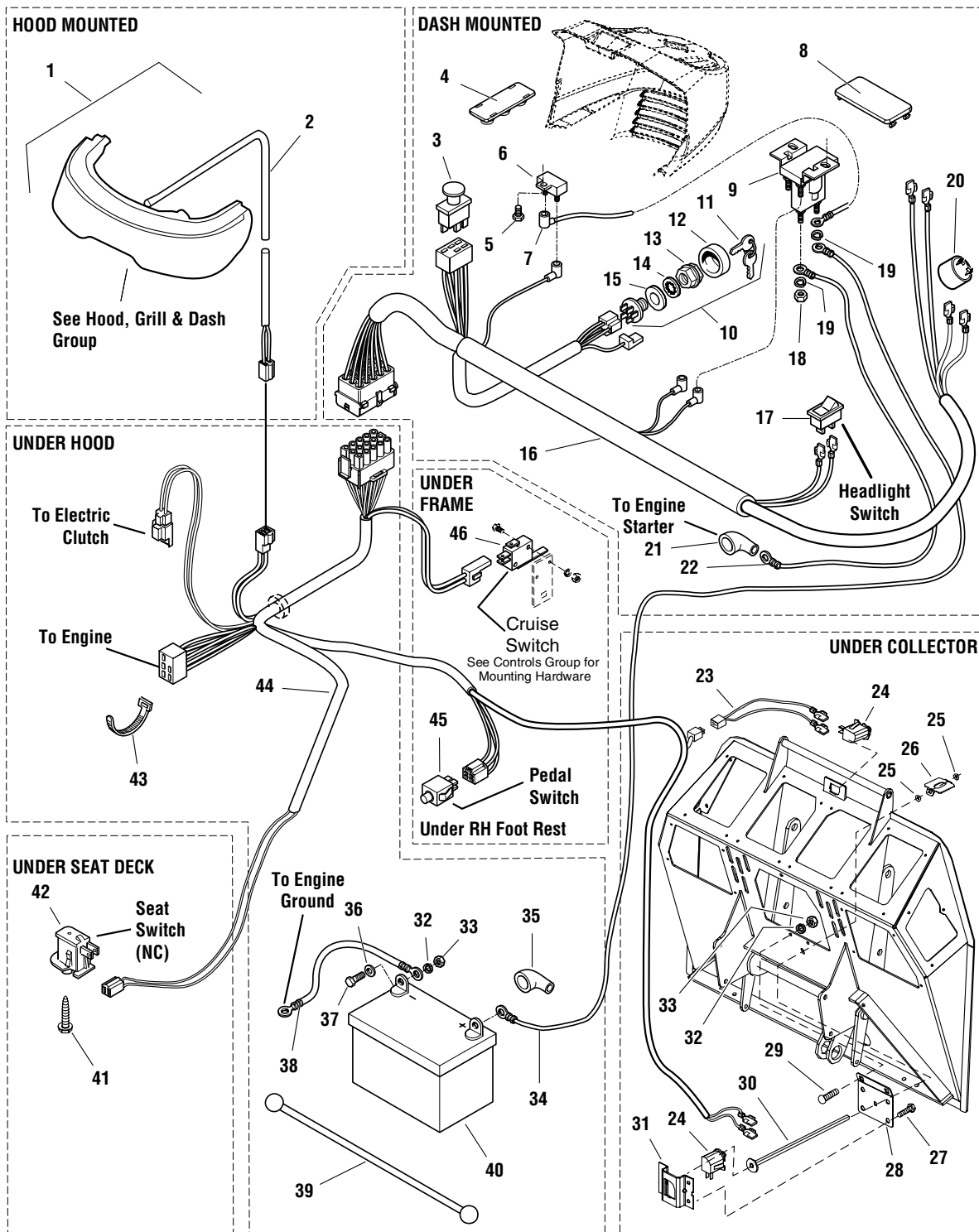
The above parts group applies to the following Mfg. Nos.:

1694329 - Baron
1694346 - 2416H
1694482 - Baron
1694485 - 2417H

Electrical Group - 16HP & 17HP Briggs & Stratton, INTEK Single

986229

NOTE: Unless noted otherwise, use the standard hardware torque specification chart.



The above parts group applies to the following Mfg. Nos.:

- 1694329 - Baron
- 1694346 - 2416H
- 1694482 - Baron
- 1694485 - 2417H

Electrical Group - 16HP & 17HP Briggs & Stratton, INTEK Single

REF NO	PART NO.	QTY.	DESCRIPTION
43	1701011	4	TIE, Wire
44	1724904	1	HARNESS, Wiring Lower
45	1723507	1	SWITCH, Push Button Foot, Black
46	1717050	1	SWITCH, Cruise, Grey

Footnotes

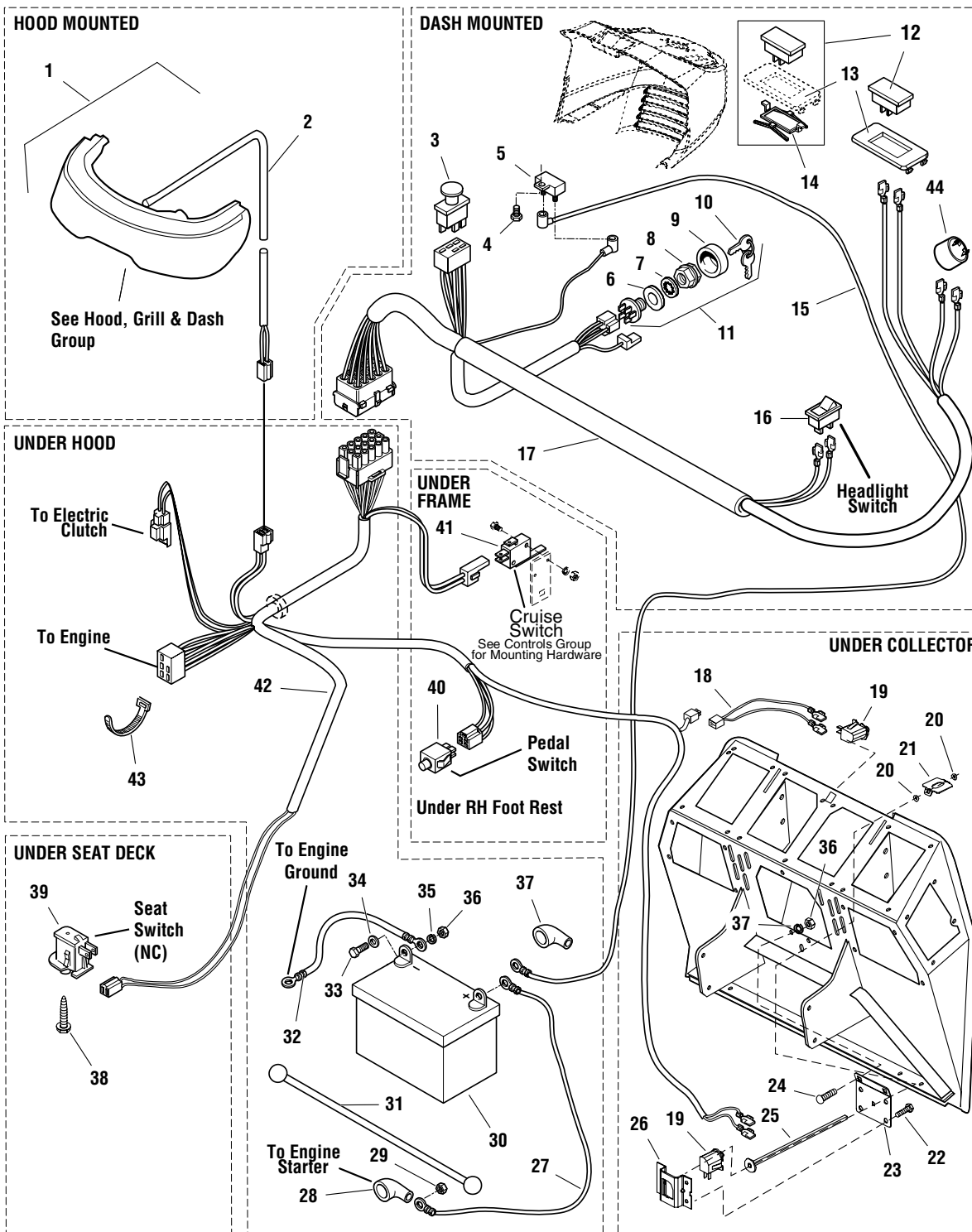
The above parts group applies to the following Mfg. Nos.:

1694329 - Baron
1694346 - 2416H
1694482 - Baron
1694485 - 2417H

Electrical Group - 16HP Honda

986217

NOTE: Unless noted otherwise, use the standard hardware torque specification chart.



The above parts group applies to the following Mfg. Nos.:
1694315 - Baron

Electrical Group - 16HP Honda

REF NO	PART NO.	QTY.	DESCRIPTION
1	1721810	1	HEADLIGHT ASSEMBLY
2	1722669	1	HARNESS, Headlight Assembly
3	1722887	1	SWITCH, PTO, Push/Pull
4	1921959	2	CAPSCREW, Hex Head, 1/4 x 5/8
5	1665238	1	BREAKER, Circuit 12Volt, 20Amps
6	101025	1	WASHER
7	1960547	1	LOCKWASHER, Internal Tooth, 5/8
8	1717549	1	NUT, Hex Flange, 5/8-32
9	1717550	1	COVER
10	1717163	2	KEY, Ignition
11	1686734	1	SWITCH ASMY, Ignition, 6 Pin, (Includes Ref. Nos. 6, 7, 8, 9 & 10)
12	1722227	1	METER, Hour, Digital, Early Models
12	1687008		METER, Hour, Digital, Later Models (Includes Ref. No. 14)
13	1722418	1	PLUG, Dash with Hole, Early Models
13	1725524	1	PLUG, Dash with Hole, Later Models
14	1725835	1	CLIP, Hour Meter (Service Only)
15	1721831	1	WIRE, #12G, Red 11" Long
16	1716951	1	SWITCH, Headlights , 2 Terminal
17	1722715	1	HARNESS, Wiring Upper, Early Models (Use with Hour Meter 1722227)
17	1725682	1	HARNESS, Wiring Upper, Later Models (Use with Hour Meter Kit 1687008)
18	1723954	1	HARNESS, Wiring, Rear
19	1704379	2	SWITCH, Push, Black
20	1723613	2	"O"-RING
21	1723612	1	PAD, Acuator
22	1925003	4	CAPSCREW, Hex Head Taptite, 1/4-20 x 1/2
23	1724548	1	BRACKET, Switch
24	1960252	2	CARRIAGE BOLT, 1/4-20 x 5/8
25	1725981	1	ROD & WASHER ASSEMBLY, Hopper
26	1720118	1	BRACKET, Hopper Switch
27	1721830	1	CABLE, # 6, 25" Long, Red
28	1713535	1	BOOT, Insulator
29	960433	1	NUT, Hex Flange, M08-1-1/4, Yellow
30	1685215	1	BATTERY, 12 Volt
31	1722009	1	STRAP, Battery
32	1713163	1	CABLE, # 6, 26" Long
33	923341	2	CAPSCREW, Hex Head, 1/4-20 x 3/4
34	921319	2	WASHER
35	916964	6	LOCKWASHER
36	916622	6	NUT, Hex, 1/4-20
37	1677296	1	BOOT, Insulator Battery Terminal
38	1960536	2	SCREW, Hex Washer Head Plastite, 1/4-20
39	1716368	1	SWITCH, Operator Present, NC, Grey
40	1723507	1	SWITCH, Push Button Foot, Black
41	1717050	1	SWITCH, Cruise, Grey

Footnotes

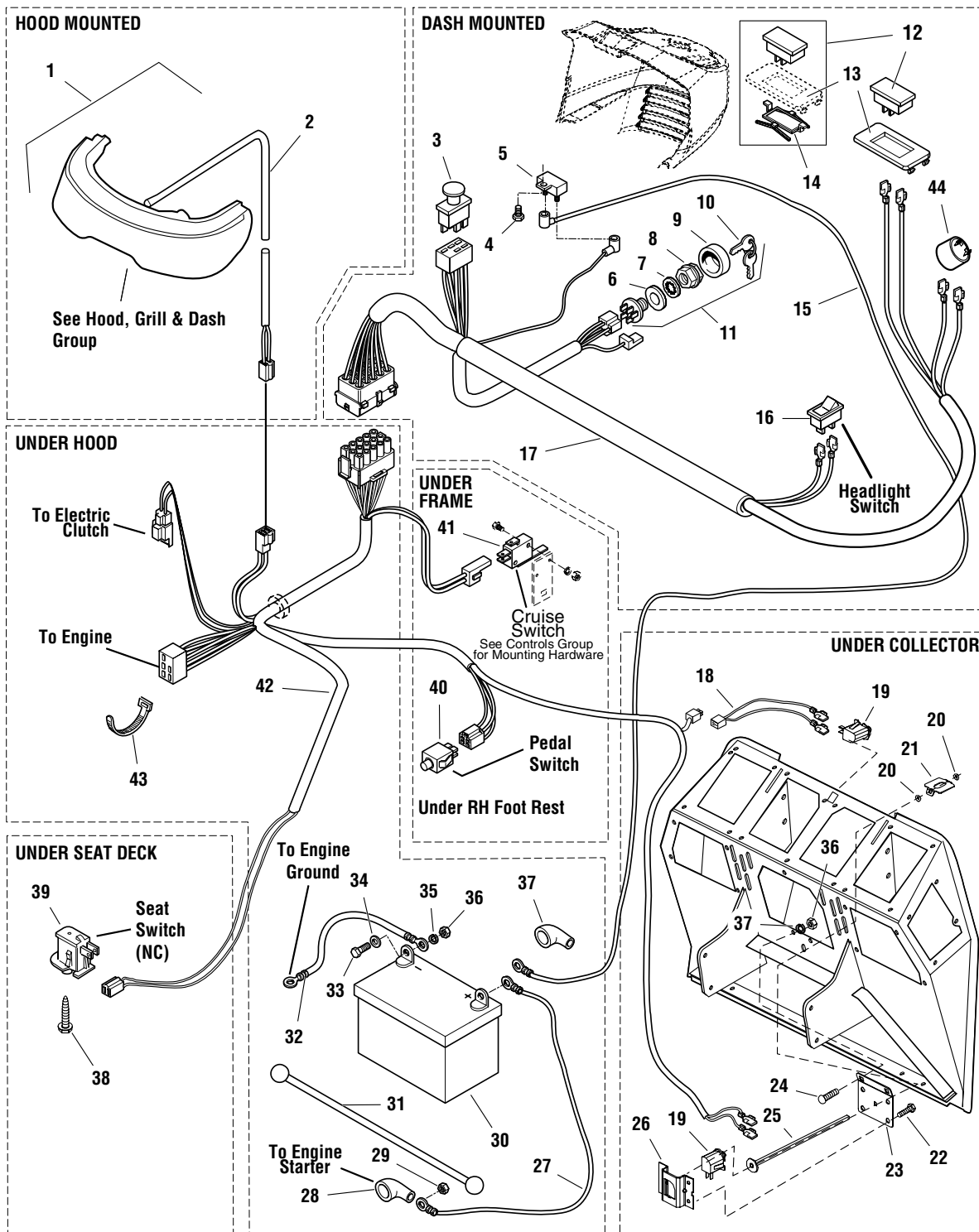
The above parts group applies to the following Mfg. Nos.:

1694315 - Baron

Electrical Group - 16HP Honda

986217

NOTE: Unless noted otherwise,
use the standard hardware torque
specification chart.



The above parts group applies to the following Mfg. Nos.:
1694315 - Baron

Electrical Group - 16HP Honda

REF NO	PART NO.	QTY.	DESCRIPTION
42	1724904	1	HARNESS, Wiring Lower
43	1701011	4	TIE, Wire
44	1720117	1	BUZZER, Pulse, Bag Full

Footnotes

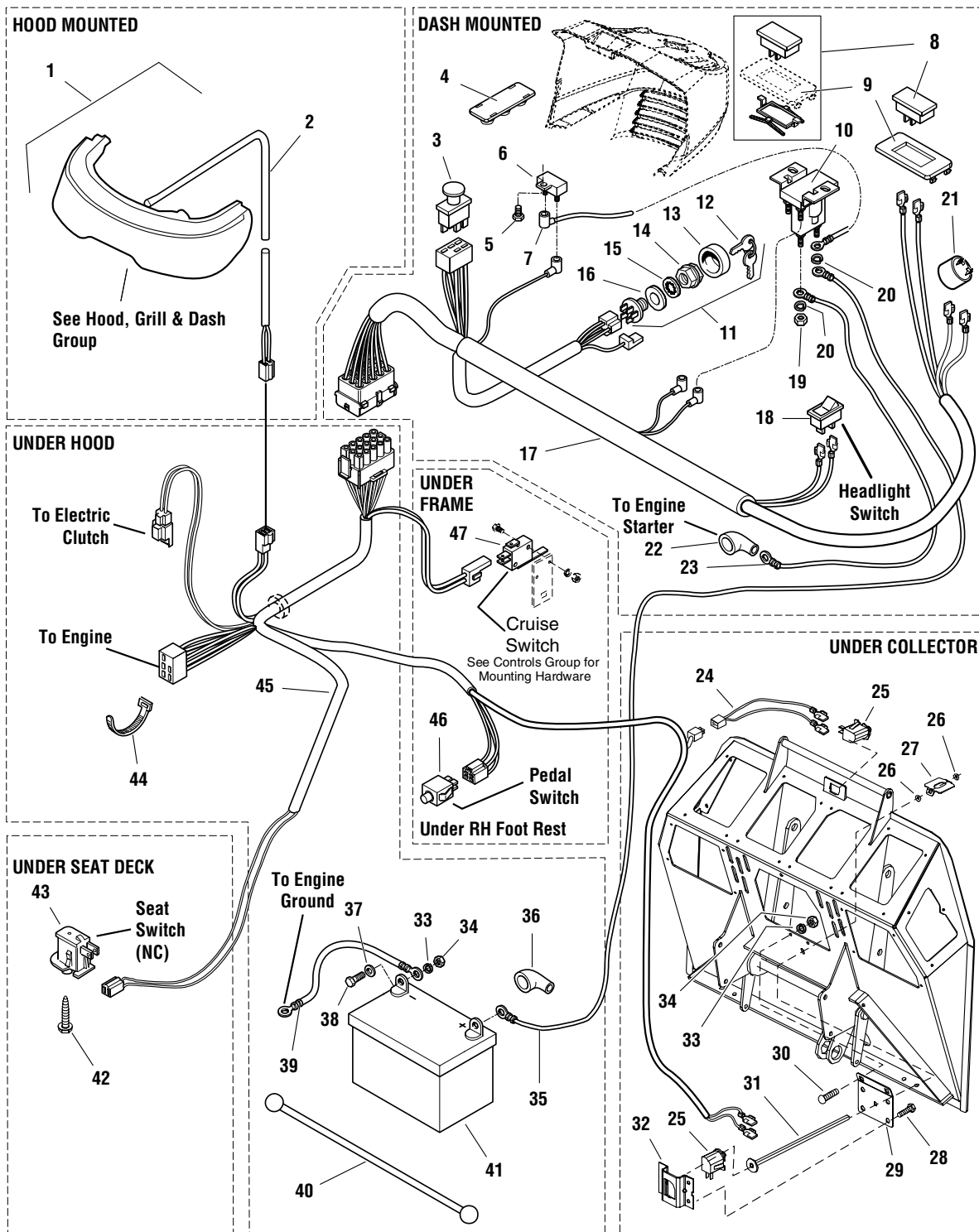
The above parts group applies to the following Mfg. Nos.:

1694315 - Baron

Electrical Group - 18HP & 20HP Briggs & Stratton, INTEK Twin

986230

NOTE: Unless noted otherwise, use the standard hardware torque specification chart.



The above parts group applies to the following Mfg. Nos.:

- 1694328 - Baron
- 1694347 - 2418H
- 1694481 - Baron
- 1694483 - 2420H

Electrical Group - 18HP & 20HP Briggs & Stratton, INTEK Twin

REF NO	PART NO.	QTY.	DESCRIPTION
1	1721810	1	HEADLIGHT ASSEMBLY
2	1722669	1	HARNESS, Headlight Assembly
3	1722887	1	SWITCH, PTO, Push/Pull
4	1722611	1	PLUG, Hole
5	1921959	2	CAPSCREW, Hex Head, 1/4 x 5/8
6	1665238	1	BREAKER, Circuit 12Volt, 20Amps
7	1665237	1	WIRE, 12GA, 5.9" Long, Red
8	1722227	1	METER, Hour, Digital, Early Models
8	1687008	1	METER & CLIP, Hour, Digital, Later Models (Includes Ref. No. 48)
9	1722418	1	PLUG, Dash, Hour Meter, Early Models
9	1725524	1	PLUG, Dash, Hour Meter, Later Models
10	1722739	1	SOLENOID
11	1686734	1	SWITCH ASSEMBLY, Ignition, 6 Pin, (Includes Ref. Nos. 12, 13, 14, 15 & 16)
12	1717163	2	KEY, Ignition
13	1717550	1	COVER
14	1717549	1	NUT, Hex Flange, 5/8-32
15	1960547	1	LOCKWASHER, Internal Tooth, 5/8
16	101025	2	WASHER
17	1722715	1	HARNESS, Wiring Upper, Early Models (Use with Hour Meter 1722227)
17	1725682	1	HARNESS, Wiring Upper, Later Models (Use with Hour Meter Kit 1687008)
18	1716951	1	SWITCH, Headlights , 2 Terminal
19	1920263	2	NUT, Hex, 5/16-24
20	920426	3	LOCKWASHER, External Tooth, 5/16
21	1720117	1	BUZZER, Pulse, Bag Full
22	1713535	1	BOOT, Insulator
23	1721830	1	CABLE, # 6, 25" Long, Red
24	1723954	1	HARNESS, Wiring, Rear
25	1704379	2	SWITCH, Push Button, Black
26	1723613	2	"O" - RING
27	1723612	1	PAD, Actuator
28	1925003	4	CAPSCREW, Hex Head Taptite, 1/4-20 x 1/2
29	1724548	1	BRACKET, Switch
30	1960252	2	CARRIAGE BOLT, 1/4-20 x 5/8
31	1725981	1	ROD & WASHER ASSEMBLY, Hopper
32	1720118	1	BRACKET, Hopper Switch
33	916964	2	LOCKWASHER
34	916622	2	NUT, Hex, 1/4-20
35	1603618	1	CABLE, # 6, 9" Long
36	1677296	1	BOOT, Insulator Battery Terminal
37	921319	2	WASHER
38	923341	2	CAPSCREW, Hex Head, 1/4-20 x 3/4
39	1713163	1	CABLE, # 6, 26" Long
40	1722009	1	STRAP, Battery
41	1685215	1	BATTERY, 12 Volt

Footnotes

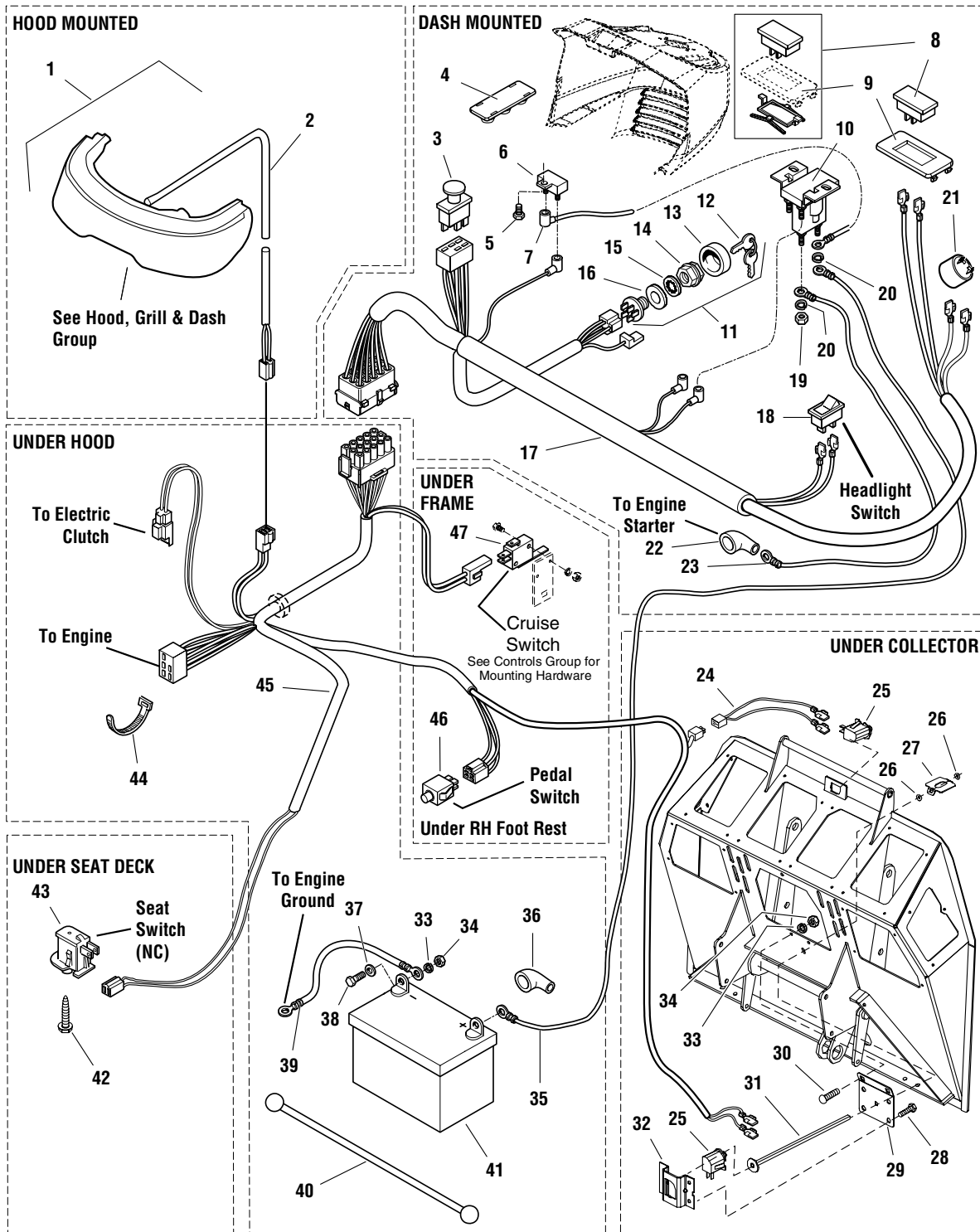
The above parts group applies to the following Mfg. Nos.:

1694328 - Baron
1694347 - 2418H
1694481 - Baron
1694483 - 2420H

Electrical Group - 18HP & 20HP Briggs & Stratton, INTEK Twin

986230

NOTE: Unless noted otherwise, use the standard hardware torque specification chart.



The above parts group applies to the following Mfg. Nos.:

- 1694328 - Baron
- 1694347 - 2418H
- 1694481 - Baron
- 1694483 - 2420H

Electrical Group - 18HP & 20HP Briggs & Stratton, INTEK Twin

REF NO	PART NO.	QTY.	DESCRIPTION
42	1960536	2	SCREW, Hex Washer Head Plastite, 1/4-20
43	1716368	1	SWITCH, Operator Present, NC, Grey
44	1701011	4	TIE, Wire
45	1724904	1	HARNESS, Wiring Lower
46	1723507	1	SWITCH, Push Button Foot, Black
47	1717050	1	SWITCH, Cruise, Grey
48	1725835	1	CLIP, Hour Meter, Later Models (Service Only)

Footnotes

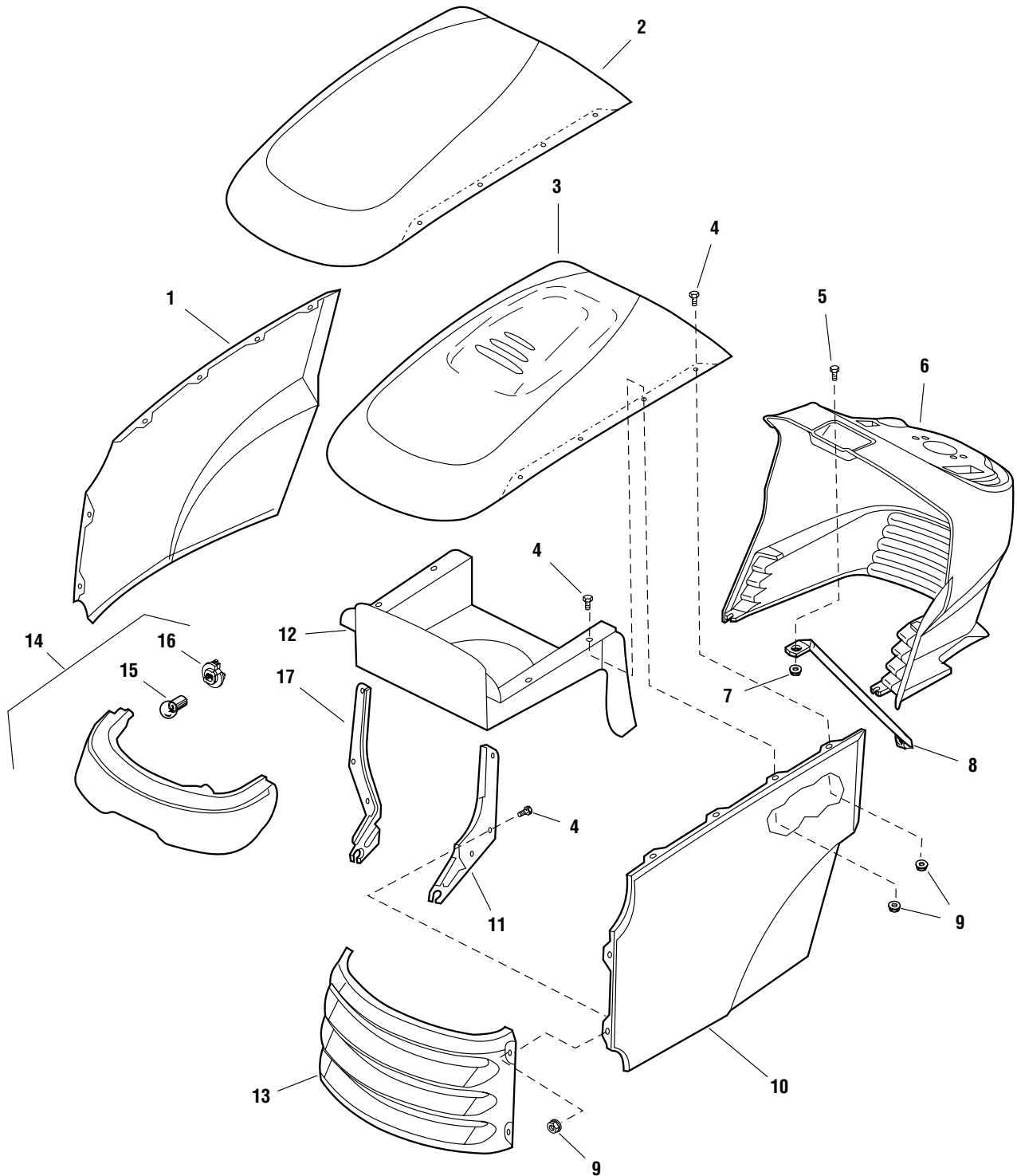
The above parts group applies to the following Mfg. Nos.:

1694328 - Baron
1694347 - 2418H
1694481 - Baron
1694483 - 2420H

Hood, Grille & Dash Group

986060

NOTE: Unless noted otherwise,
use the standard hardware torque
specification chart.



The above parts group applies to the following Mfg. Nos.:

1694329 - Baron	1694485 - 2417H
1694328 - Baron	1694481 - Baron
1694315 - Baron	1694483 - 2420H
1694346 - 2416H	
1694347 - 2418H	
1694482 - Baron	

Hood, Grille & Dash Group

REF NO	PART NO.	QTY.	DESCRIPTION
1	1721804	1	PANEL, RH Side
1	41721804	1	PANEL, RH Side, Red
2	1721801	1	HOOD, no Louvers
2	41721801	1	HOOD, no Louvers, Red
3	1722110	1	HOOD, with Louvers
3	41722110	1	HOOD, with Louvers, Red
4	1960295	12	CAPSCREW, Hex Head Flange Lock, 1/4-20 x 5/8
5	1960392	1	SCREW, Phillips Head, #10-24 x 1/2
6	1686910	1	DASHBOARD, With Hole, Black
7	1933896	1	NUT, Hex Nylock, #10-24
8	1723123	1	ROD, Dash Support
9	1930641	12	NUT, Hex Flange Lock, 1/4-20
10	1721803	1	PANEL, LH Side
10	41721803	1	PANEL, LH Side, Red
11	1721808	1	HINGE, LH
12	1722391	1	DUCT, Air Inlet
13	1721802	1	GRILLE
13	41721802	1	GRILLE, Red
14	1721810	1	HEADLIGHT ASSEMBLY, (Includes Ref. Nos. 15 & 16)
15	1677371	4	BULB, Headligh
16	1723451	4	SOCKET, Headlight
17	1721809	1	HINGE, RH

Footnotes

The above parts group applies to the following Mfg. Nos.:

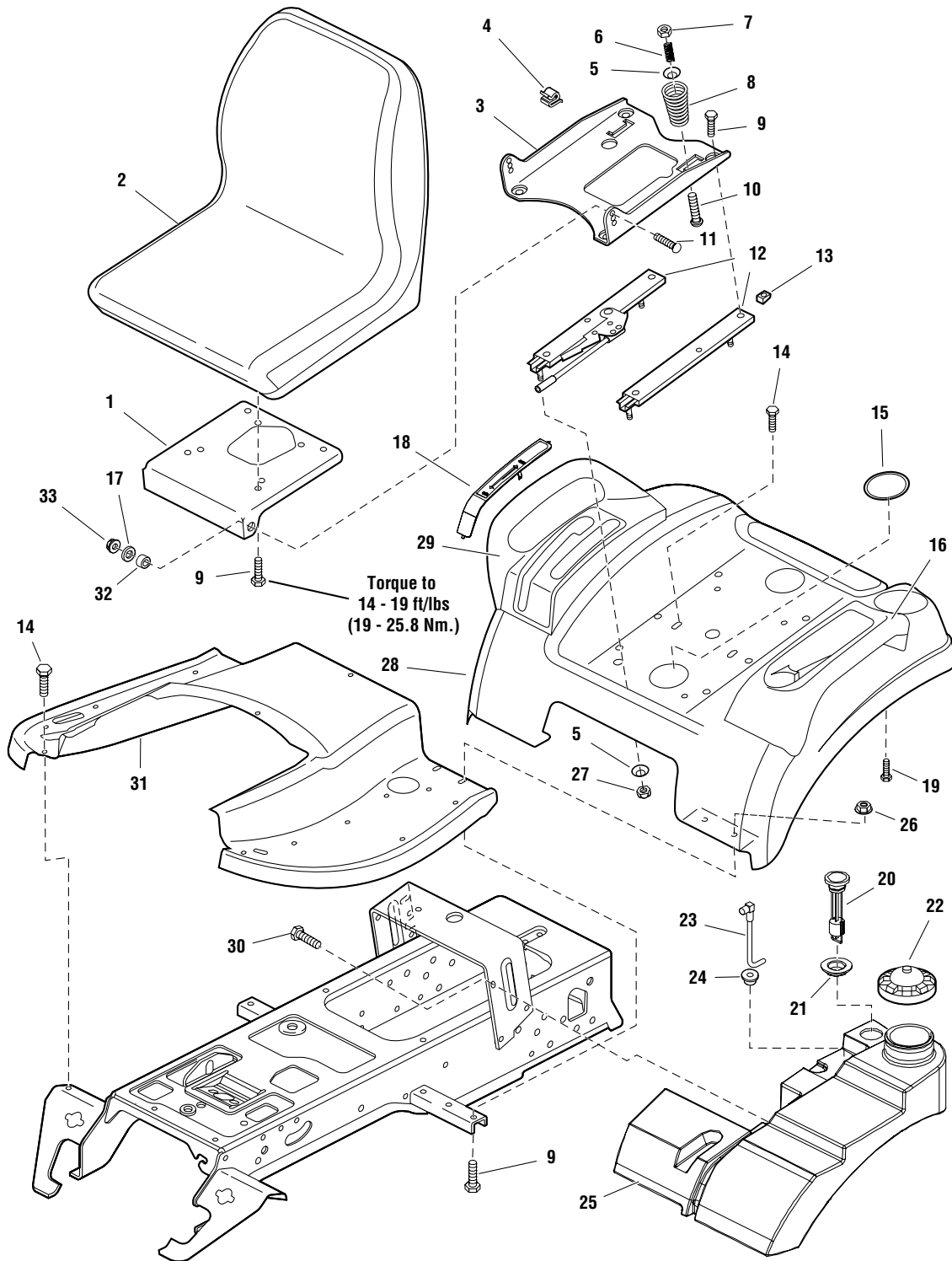
1694329 - Baron
1694328 - Baron
1694315 - Baron
1694346 - 2416H
1694347 - 2418H
1694482 - Baron

1694485 - 2417H
1694481 - Baron
1694483 - 2420H

Seat Deck & Fuel Tank Group

985932

NOTE: Unless noted otherwise,
use the standard hardware torque
specification chart.



The above parts group applies to the following Mfg. Nos.:

- | | |
|-----------------|-----------------|
| 1694329 - Baron | 1694485 - 2417H |
| 1694328 - Baron | 1694481 - Baron |
| 1694315 - Baron | 1694483 - 2420H |
| 1694346 - 2416H | |
| 1694347 - 2418H | |
| 1694482 - Baron | |

Seat Deck & Fuel Tank Group

REF NO	PART NO.	QTY.	DESCRIPTION
1	1722129	1	BRACKET, Seat
2	1722306	1	SEAT, 15" Back, Simplicity Logo
3	1722128	1	SUPPORT, Seat
4	172434	1	CLIP, Wire
5	1709256	6	WASHER, Spring
6	1714263	2	SPRING, Compression
7	1919438	2	NUT, Hex Lock ESNA, 5/16-18
8	1717051	2	SPRING, Compression
9	1960667	12	CAPSCREW, Hex Head Dog Point, 5/16-18 x 3/4
10	1931339	2	CARRIAGE BOLT, 5/16-18 x 2
11	1931350	2	CARRIAGE BOLT, 3/8-16 x 1
12	1722356	1	SLIDE, Seat, (2 Piece Set)
13	1935255	4	NUT, Speed, 5/16-18
14	1930601	4	CAPSCREW, Hex Head Taptite, 5/16-18 x 5/8
15	1722309	1	PLUG, Hole Black
16	1722109	1	POD, LH, w/Cup holder
17	1924940	2	WASHER
18	1722313	1	COVER, Cruise, w/Symbols
19	1921959	8	CAPSCREW, Hex Head, 1/4-20 x 5/8
20	1722300	1	GAS GAUGE
21	1722337	1	GROMMET
22	1715917	1	CAP, Gas
23	1726902	1	TUBE & ELBOW ASSEMBLY, with Screen, Fuel
24	1654930	1	BUSHING
25	1722652	1	TANK, Fuel
26	1931277	4	NUT, Hex Whiz Lock, 5/16-18
27	1960636	4	NUT, Hex KEPS, 5/16-18
28	1722671	1	DECK, Seat
28	41722671	1	DECK, Seat, Red
29	1722108	1	POD, RH, w/2 Slots
30	1930591	1	CAPSCREW, Hex Head Flange Lock, 5/16-18 x 5/8
31	1722105	1	TUNNEL, Footrest
32	1663752	2	SPACER
33	1930645	2	NUT, Hex Flange Lock, 3/8-16

Footnotes

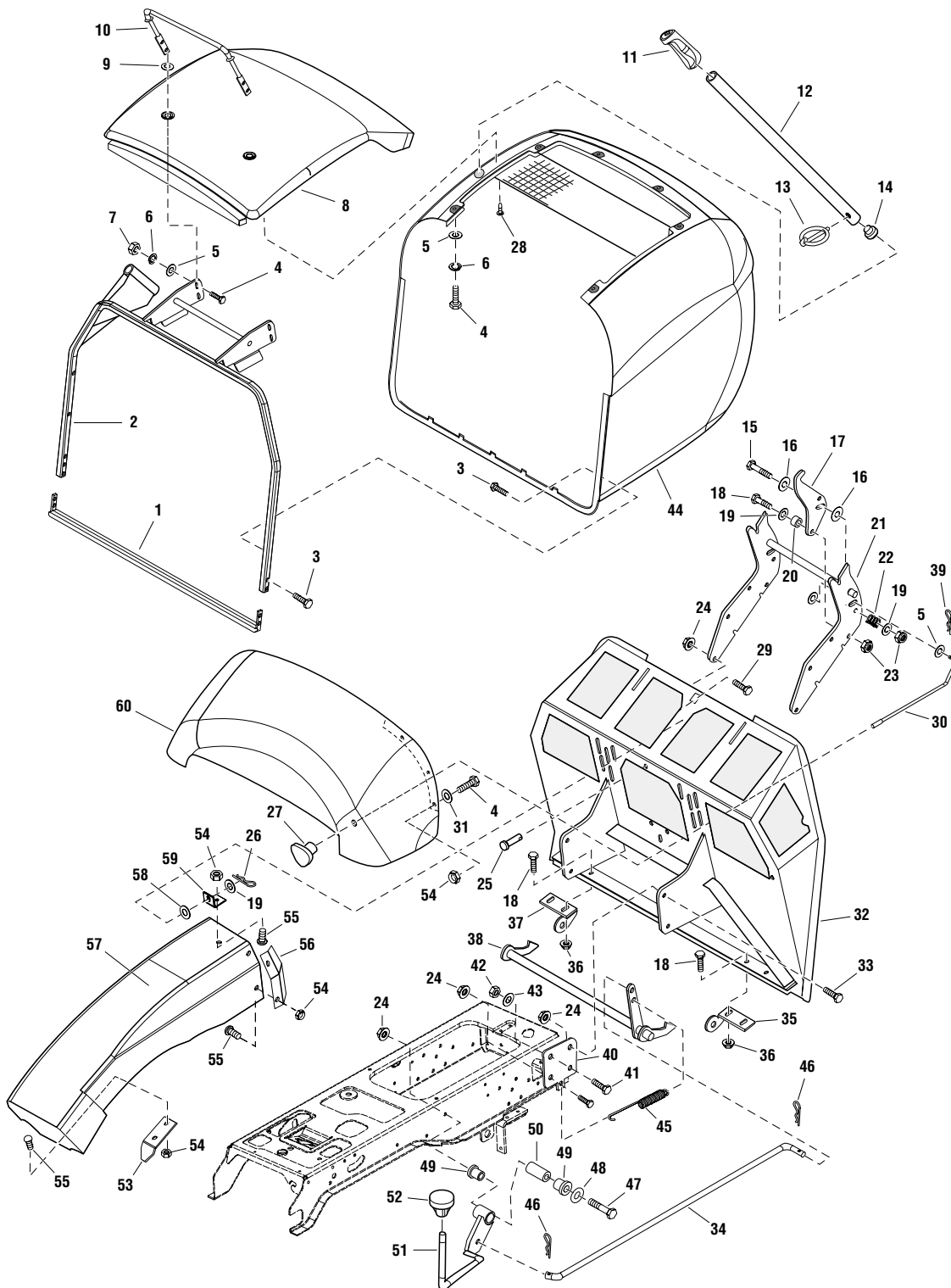
The above parts group applies to the following Mfg. Nos.:

1694329 - Baron	1694485 - 2417H
1694328 - Baron	1694481 - Baron
1694315 - Baron	1694483 - 2420H
1694346 - 2416H	
1694347 - 2418H	
1694482 - Baron	

Hopper Group - Fixed Screen

SL986224

NOTE: Unless noted otherwise,
use the standard hardware torque
specification chart.



The above parts group applies to the following Mfg. Nos.:

- | | |
|-----------------|-----------------|
| 1694329 - Baron | 1694485 - 2417H |
| 1694328 - Baron | 1694481 - Baron |
| 1694315 - Baron | 1694483 - 2420H |
| 1694346 - 2416H | |
| 1694347 - 2418H | |
| 1694482 - Baron | |

Hopper Group - Fixed Screen

REF NO	PART NO.	QTY.	DESCRIPTION
1	1722590	1	ANGLE & BAR ASSEMBLY
2	1724411	1	FRAME ASSEMBLY
3	1925003	10	CAPSCREW, Hex Head Taptite, 1/4-20 x 1/2
4	1924009	10	CAPSCREW, Hex Head, 1/4-20 x 7/8
5	1921319	12	WASHER, 1/4
6	1916964	6	LOCKWASHER, 1/4
7	1916622	4	NUT, 1/4-20
8	1726415	1	LID, Hopper, Orange
8	1726416	1	LID, Hopper, Red
9	1724684	2	WASHER, Rubber
10	1724399	1	HANDLE, Hopper
11	1723359	1	GRIP
12	1724398	1	TUBE, Handle
13	1666969	1	PIN, Click
14	1724553	1	CAP PLUG, Rubber
15	1921978	1	CAPSCREW, Hex Head, 5/16-18 x 2
16	1960044	2	WASHER, 5/16
17	1724651	1	LATCH, Pivot
18	1921333	1	CAPSCREW, Hex Head, 5/16-18 x 1
19	1919326	3	WASHER
20	1666697	1	SPACER
21	1724413	1	PIVOT ASSEMBLY
22	1714263	1	SPRING, Compression
23	1919438	3	NUT, Hex Lock, 5/16-18
24	1928352	7	NUT, Hex Flange Lock, 3/8-16
25	1723683	1	PIN
26	1722460	1	PIN, Quick
27	1713855	1	KNOB
28	1704351	4	PANEL FASTNER
29	1921965	4	CAPSCREW, Hex Head, 3/8-16 x 3/4
30	1724652	1	ROD, Latch
31	1960353	4	WASHER, 1/4
32	1725332	1	BACKPLATE ASSEMBLY
33	1934654	6	CAPSCREW, Hex Head Whiz Lock, 3/8-16 x 1
34	1724458	1	ROD LATCH
35	1723182	1	BRACKET, Latch LH
36	1931277	4	NUT, Hex Flange Lock, 5/16-18
37	1723181	1	BRACKET, Latch, RH
38	1724540	1	SHAFT & ARMS ASSEMBLY
39	1923360	1	PIN, Cotter, 5/8 x 3.4
40	1724566	2	SUPPORT, Back Plate
41	1923114	2	CAPSCREW, Hex Head, 1/2-13 x 1
42	1916951	2	NUT, Hex, 1/2-13
43	1960556	4	SCREW, Pan Head Torq Taptite, 1/4-20 x 3/4

Footnotes

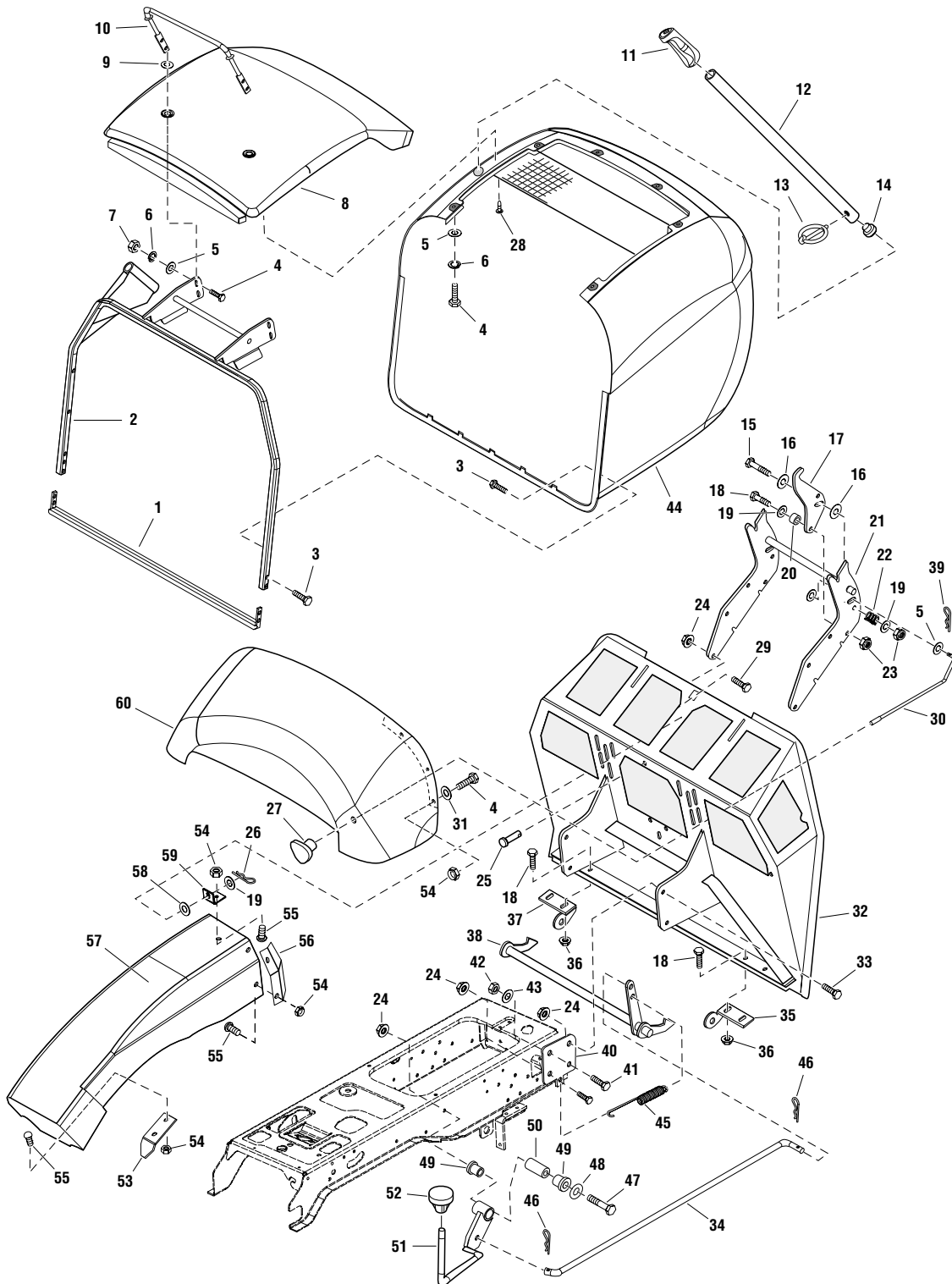
The above parts group applies to the following Mfg. Nos.:

1694329 - Baron
 1694328 - Baron
 1694315 - Baron
 1694346 - 2416H
 1694347 - 2418H
 1694482 - Baron
 1694485 - 2417H
 1694481 - Baron
 1694483 - 2420H

Hopper Group - Fixed Screen

SL986224

NOTE: Unless noted otherwise,
use the standard hardware torque
specification chart.



The above parts group applies to the following Mfg. Nos.:

- | | |
|-----------------|-----------------|
| 1694329 - Baron | 1694485 - 2417H |
| 1694328 - Baron | 1694481 - Baron |
| 1694315 - Baron | 1694483 - 2420H |
| 1694346 - 2416H | |
| 1694347 - 2418H | |
| 1694482 - Baron | |

Hopper Group - Fixed Screen

REF NO	PART NO.	QTY.	DESCRIPTION
44	1726414	1	HOPPER & SCREEN ASSEMBLY
45	1718016	1	SPRING, Extension
46	1960074	2	CLIP, Hair Pin
47	1922130	1	CAPSCREW, Hex Head, 3/8-16 x 2-1/2
48	1924940	1	WASHER
49	1676148	2	BUSHING
50	1669105	1	SPACER
51	1725036	1	ROD & TUBE ASSEMBLY
52	1719940	1	KNOB, Hopper
53	1722881	1	RETAINER
54	1920397	5	NUT, Hex Lock ESNA, 1/4-20
55	1718741	5	SCREW, Torx Head, 1/4-20 x 5/8
56	1723650	1	DEFLECTOR, Grass
57	1722578	1	CHUTE, Chute
58	1933988	1	NUT, Push
59	1723363	1	BRACKET, Chute
60	1724542	1	TRANSITION, Hopper
61	1931334	4	CARRIAGE BOLT, 5/16-18 x 7/8

Footnotes

The above parts group applies to the following Mfg. Nos.:

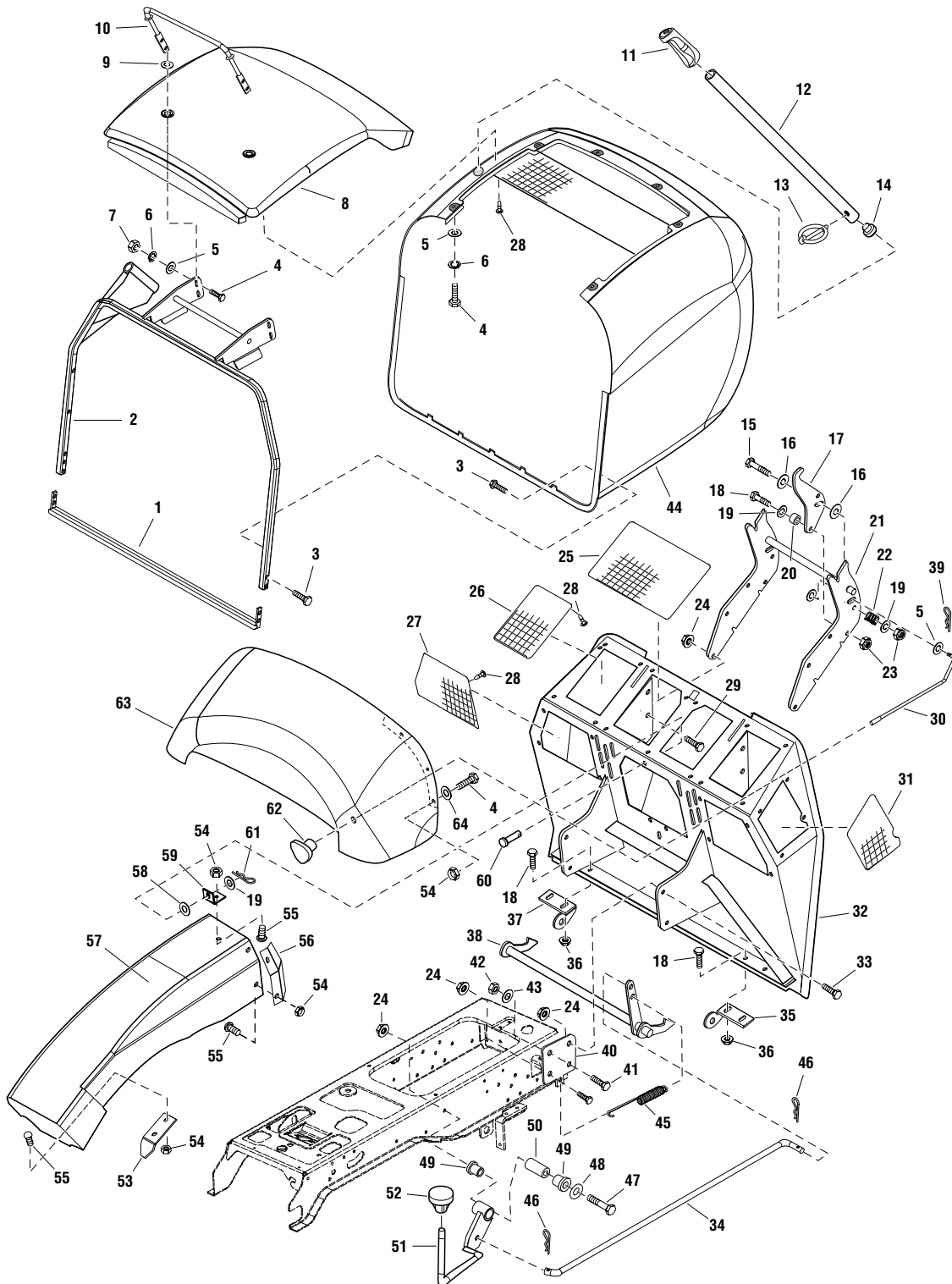
1694329 - Baron
1694328 - Baron
1694315 - Baron
1694346 - 2416H
1694347 - 2418H
1694482 - Baron

1694485 - 2417H
1694481 - Baron
1694483 - 2420H

Hopper Group - Serviceable Screen

986224

NOTE: Unless noted otherwise,
use the standard hardware torque
specification chart.



The above parts group applies to the following Mfg. Nos.:

- 1694329 - Baron
- 1694328 - Baron
- 1694315 - Baron
- 1694346 - 2416H
- 1694347 - 2418H

Hopper Group - Serviceable Screen

REF NO	PART NO.	QTY.	DESCRIPTION
1	1722590	1	ANGLE & BAR ASSEMBLY
2	1724411	1	FRAME ASMY-HOPPER NEW BARON
3	1925003	10	CAPSCREW, Hex Head Taptite, 1/4-20 x 1/2
4	1924009	8	CAPSCREW, Hex Head, 1//4-20 x 7/8
5	1921319	6	WASHER, 1/4
6	1916964	6	LOCKWASHER, 1/4
7	1916622	4	NUT, 1/4-20
8	1724408	1	LID, Hopper, Orange
8	1724690	1	LID, Hopper, Red
9	1724684	2	WASHER, Rubber
10	1724399	1	HANDLE, Hopper
11	1723359	1	GRIP
12	1724398	1	TUBE, Handle
13	1666969	1	PIN, Click
14	1724553	1	CAP PLUG, Rubber
15	1921978	1	CAPSCREW, Hex Head, 5/16-18 x 2
16	1960044	2	WASHER, 5/16
17	1724651	1	LATCH, Pivot
18	1921333	8	CAPSCREW, Hex Head, 5/16-18 x 1
19	1919326	3	WASHER
20	1666697	1	SPACER
21	1724413	1	PIVOT ASSEMBLY
22	1714263	1	SPRING, Compression
23	1919438	3	NUT, Hex Lock, 5/16-18
24	1928352	7	NUT, Hex Flange Lock, 3/8-16
25	1724598	1	SCREEN, 1/4 Mesh, Top
26	1723744	2	SCREEN, Top Side, 5-1/2" x 7-3/4"
27	1723642	2	SCREEN, Main, 7" x 9"
28	1704351	30	FASTNER, Panel
29	1921965	4	CAPSCREW, Hex Head, 3/8-16 x 3/4
30	1724652	1	ROD, Latch
31	1723644	2	SCREEN, Side, 5" x 6-1/4"
32	1724048	1	BACKPLATE ASSEMBLY
33	1934654	6	CAPSCREW, Hex Head Whiz Lock, 3/8-16 x 1
34	1724458	1	ROD LATCH
35	1723182	1	BRACKET, Latch, LH
36	1931277	4	NUT, Hex Flange Lock, 5/16-18
37	1723181	1	BRACKET, Latch, RH
38	1724540	1	SHAFT & ARMS ASSEMBLY
39	1923360	1	PIN, Cotter, 5/8 x 3.4
40	1724566	2	SUPPORT, Back Plate
41	1923114	2	CAPSCREW, Hex Head, 1/2-13 x 1
42	1916951	2	NUT, Hex, 1/2-13
43	1916966	2	LOCKWASHER, 1/2

Footnotes

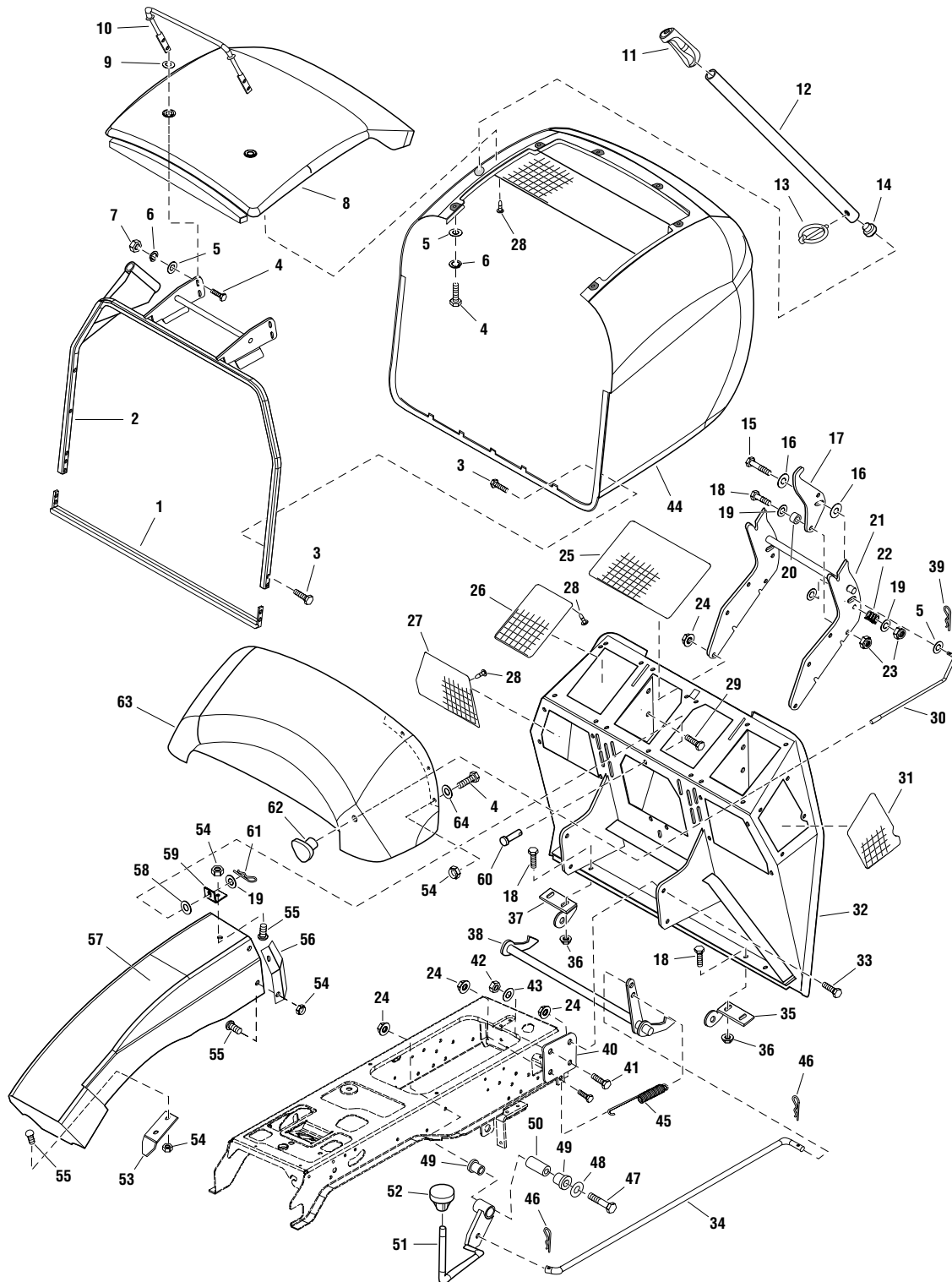
The above parts group applies to the following Mfg. Nos.:

1694329 - Baron
 1694328 - Baron
 1694315 - Baron
 1694346 - 2416H
 1694347 - 2418H

Hopper Group - Serviceable Screen

986224

NOTE: Unless noted otherwise,
use the standard hardware torque
specification chart.



The above parts group applies to the following Mfg. Nos.:

- 1694329 - Baron
- 1694328 - Baron
- 1694315 - Baron
- 1694346 - 2416H
- 1694347 - 2418H

Hopper Group - Serviceable Screen

REF NO	PART NO.	QTY.	DESCRIPTION
44	1724559	1	HOPPER & SCREEN ASSEMBLY
45	1718016	1	SPRING, Extension
46	1960074	2	CLIP, Hair Pin
47	1922130	1	CAPSCREW, Hex Head, 3/8-16 x 2-1/2
48	1924940	1	WASHER
49	1676148	2	BUSHING
50	1669105	1	SPACER
51	1725036	1	ROD & TUBE ASSEMBLY
52	1719940	1	KNOB, Hopper Release
53	1722881	1	RETAINER
54	1920397	11	NUT, Hex Lock ESNA, 1/4-20
55	1718741	5	SCREW, Torx Head, 1/4-20 x 5/8
56	1723650	1	DEFLECTOR, Grass
57	1722578	1	CHUTE, Discharge
58	1933988	1	NUT, Push
59	1723363	1	BRACKET, Chute
60	1723683	1	PIN, Clevis
61	1722460	2	PIN, Quick
62	1713855	1	KNOB
63	1724542	1	TRANSITION, Hopper
64	1960353	4	WASHER, 1/4

Footnotes

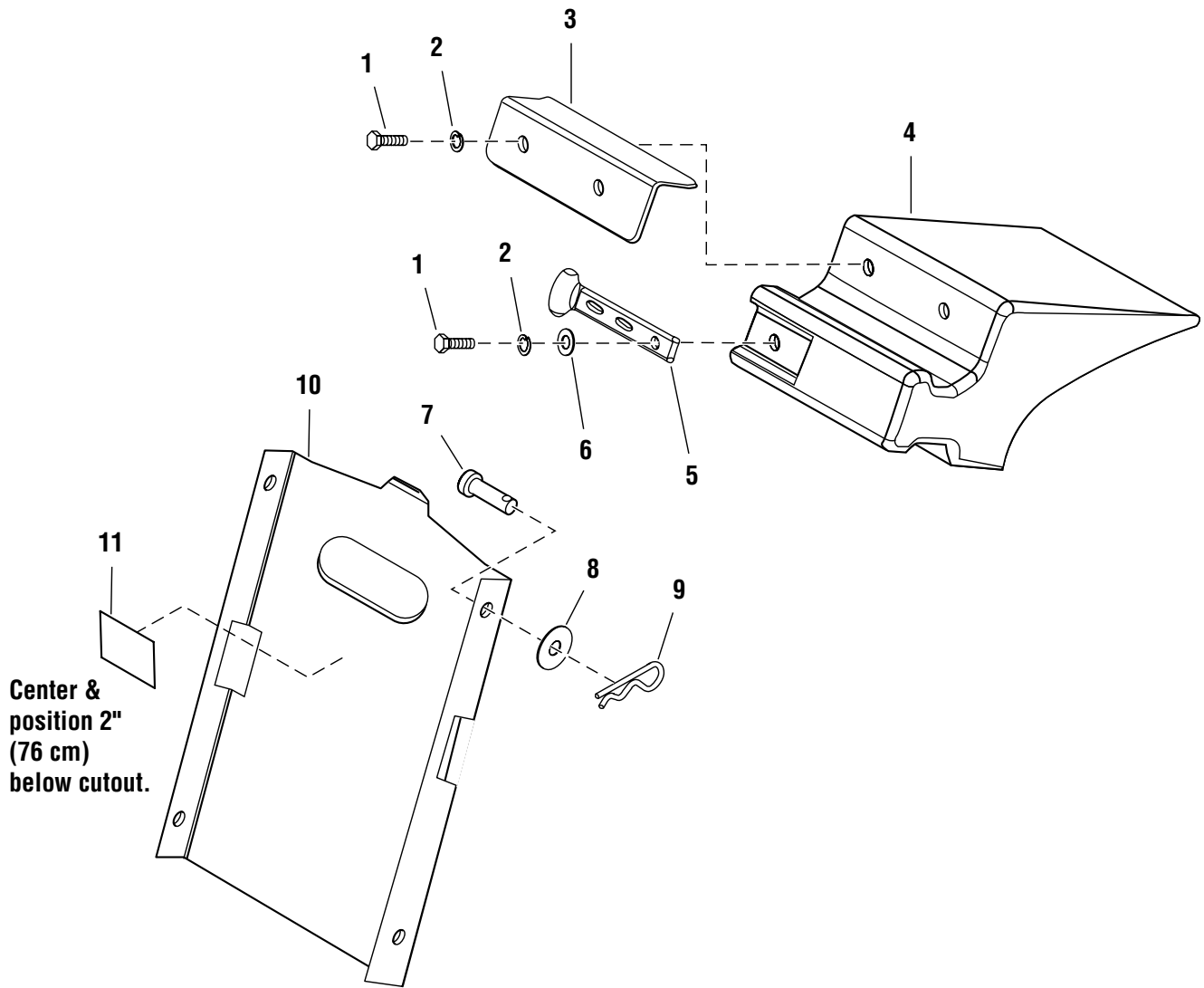
The above parts group applies to the following Mfg. Nos.:

1694329 - Baron
1694328 - Baron
1694315 - Baron
1694346 - 2416H
1694347 - 2418H

Mulching Group

986261

NOTE: Unless noted otherwise,
use the standard hardware torque
specification chart.



The above parts group applies to the following Mfg. Nos.:

- 1694328 - Baron
- 1694315 - Baron
- 1694347 - 2418H
- 1694481 - Baron
- 1694483 - 2420H

Mulching Group

REF NO	PART NO.	QTY.	DESCRIPTION
1	1923341	3	CAPSCREW, Hex Head, 1/4-20 x 3/4
2	1916964	3	LOCKWASHER, 1/4
3	1723652	1	BRACKET, Mulching Plug
4	1723651	1	PLUG, Mulching
5	171600	1	STRAP, Hood, Black Rubber
6	1921319	1	WASHER, 1/4
7	1723683	2	PIN, Clevis
8	1919381	2	WASHER, 5/16
9	1960074	2	CLIP, Hair Pin
10	1724638	1	GUARD & DEFLECTOR ASSEMBLY
11	1720391	1	DECAL, Danger

Footnotes

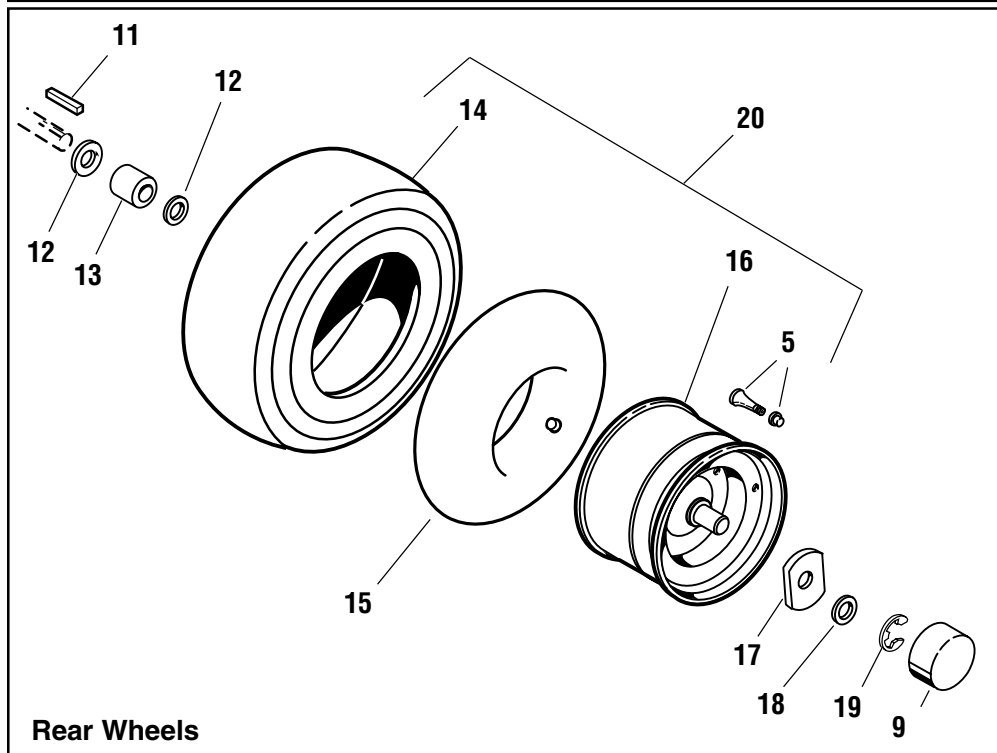
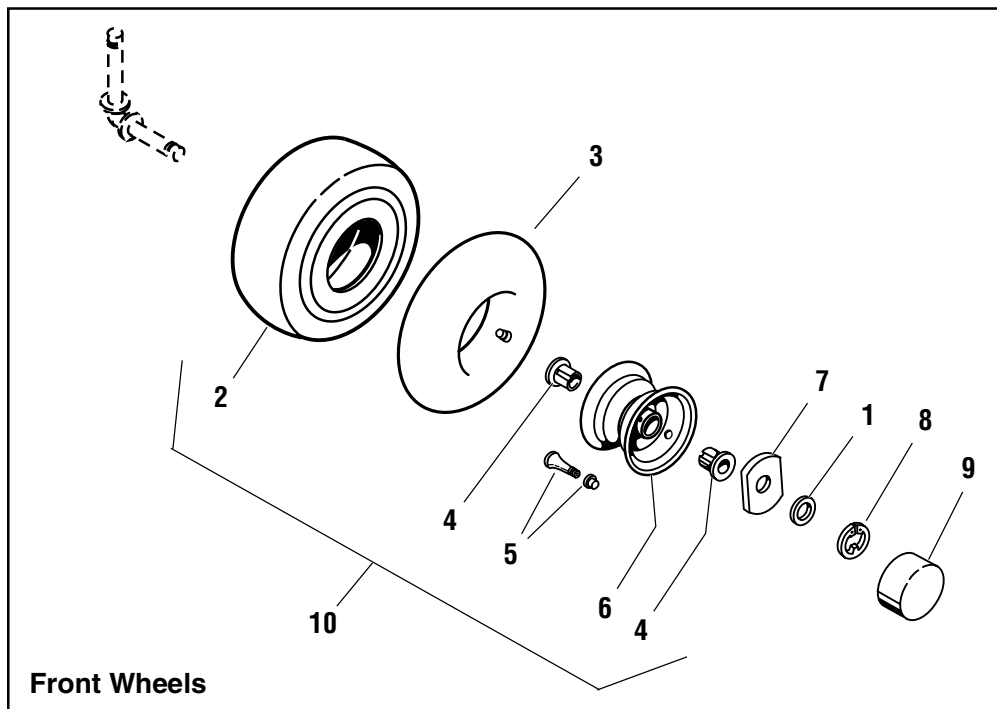
The above parts group applies to the following Mfg. Nos.:

1694328 - Baron
1694315 - Baron
1694347 - 2418H
1694481 - Baron
1694483 - 2420H

Wheels & Tires Group

W986263

NOTE: Unless noted otherwise,
use the standard hardware torque
specification chart.



The above parts group applies to the following Mfg. Nos.:

1694329 - Baron	1694485 - 2417H
1694328 - Baron	1694481 - Baron
1694315 - Baron	1694483 - 2420H
1694346 - 2416H	
1694347 - 2418H	
1694482 - Baron	

Wheels & Tires Group

REF NO	PART NO.	QTY.	DESCRIPTION
1	1919394	2	WASHER
2	1722838	2	TIRE, 15 X 6.00 - 6, Super Turf
3	1664090	2	TUBE, 4.10/3.50 - 6
4	1717056	2	BEARING, Ball
5	172353	4	VALVE STEM & CAP ASSEMBLY
6	1722837	2	WHEEL, 4.50 X 6.00, (Includes Ref. No. 4)
7	1722726	2	WASHER, Special
8	932577	2	RING, Retaining
9	1722676	4	CAP, Hub
10	1722065	2	WHEEL & TIRE ASSEMBLY, (Includes Ref. Nos. 2, 4, 5 & 6)
11	8221042	2	KEY
12	960202	4	WASHER
13	1709527	2	SPACER
14	1722826	2	TIRE, 20 X 10.00- 8, Super Turf
15	173477	2	TUBE, 20 X 8.00 - 10
16	1722835	2	WHEEL, 7.00 x 7.96
17	1722717	2	WASHER, Special
18	1960114	2	WASHER
19	927794	2	RING, E Retaining
20	1721694	2	WHEEL & TIRE ASSEMBLY, (Includes Ref. Nos. 5, 14 & 16)

Footnotes

The above parts group applies to the following Mfg. Nos.:

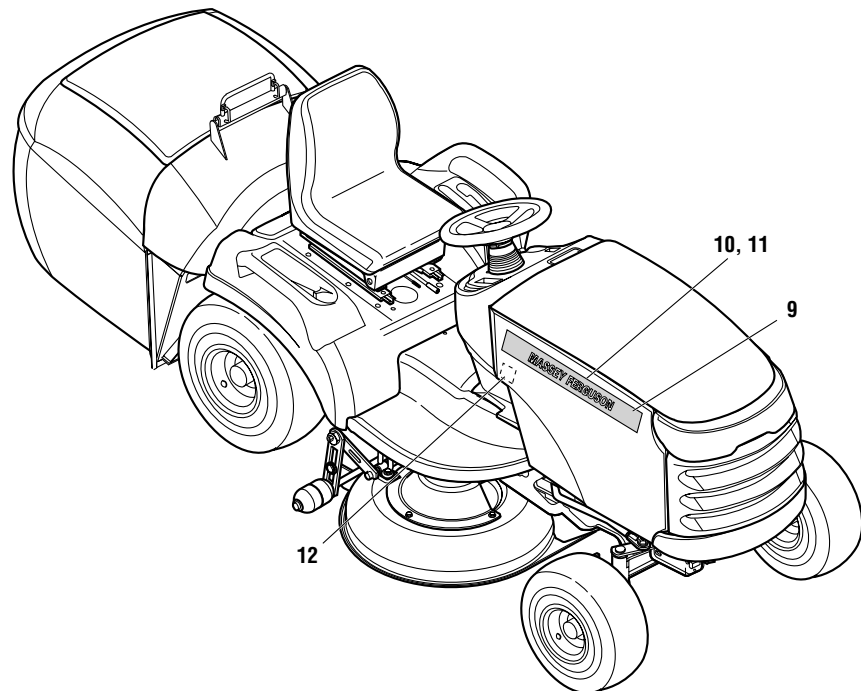
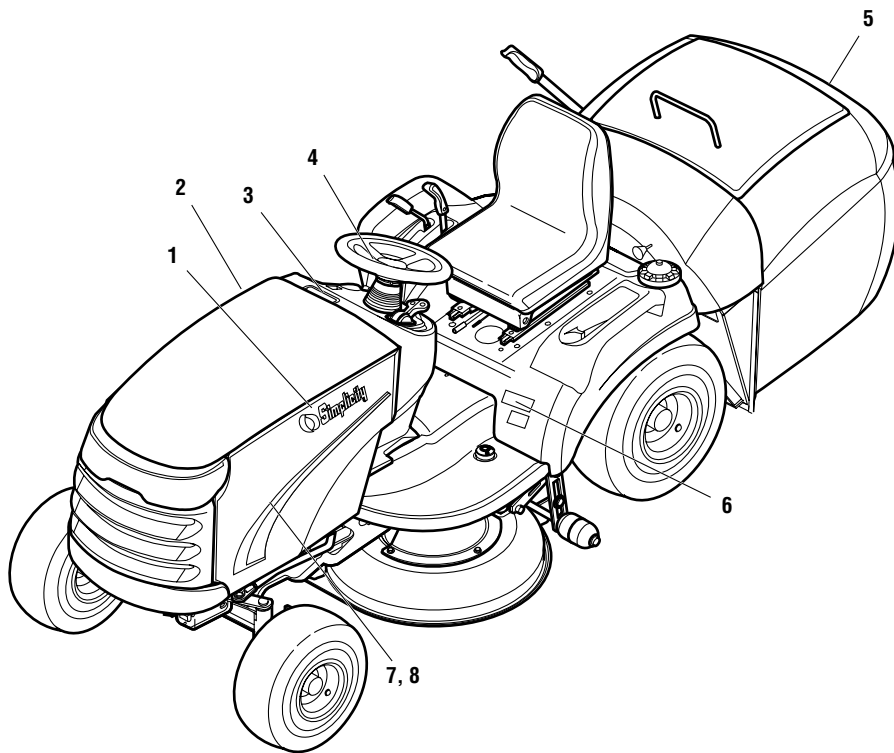
1694329 - Baron
1694328 - Baron
1694315 - Baron
1694346 - 2416H
1694347 - 2418H
1694482 - Baron

1694485 - 2417H
1694481 - Baron
1694483 - 2420H

Decals Group - Brand & Model

NOTE: Unless noted otherwise,
use the standard hardware torque
specification chart.

B986263



The above parts group applies to the following Mfg. Nos.:

1694329 - Baron	1694485 - 2417H
1694328 - Baron	1694481 - Baron
1694315 - Baron	1694483 - 2420H
1694346 - 2416H	
1694347 - 2418H	
1694482 - Baron	

Decals Group - Brand & Model

REF NO	PART NO.	QTY.	DESCRIPTION
1	1722551	2	DECAL, Simplicity, Silver & Blue
2	1720454	1	DECAL, Touch Up, Deep Orange
3	1725679	1	DECAL, Baron
4	1717692	1	DECAL, Icon, Simplicity
5	1723859	1	DECAL, Simplicity
6	1722784	1	DECAL, Baron
7	1722774	1	DECAL, Simplicity, Hood Stripe, LH
8	1722773	1	DECAL, Simplicity, Hood Stripe, RH
9	1723878	2	DECAL, 2416
9	1725667	2	DECAL, 2417
9	1723877	2	DECAL, 2418
9	1725663	2	DECAL, 2420
10	1722815	1	DECAL, Massey Ferguson, Hood Stripe, LH
11	1722816	1	DECAL, Massey Ferguson, Hood Stripe, RH
12	1720456	1	DECAL, Touch Up, Red

Footnotes

The above parts group applies to the following Mfg. Nos.:

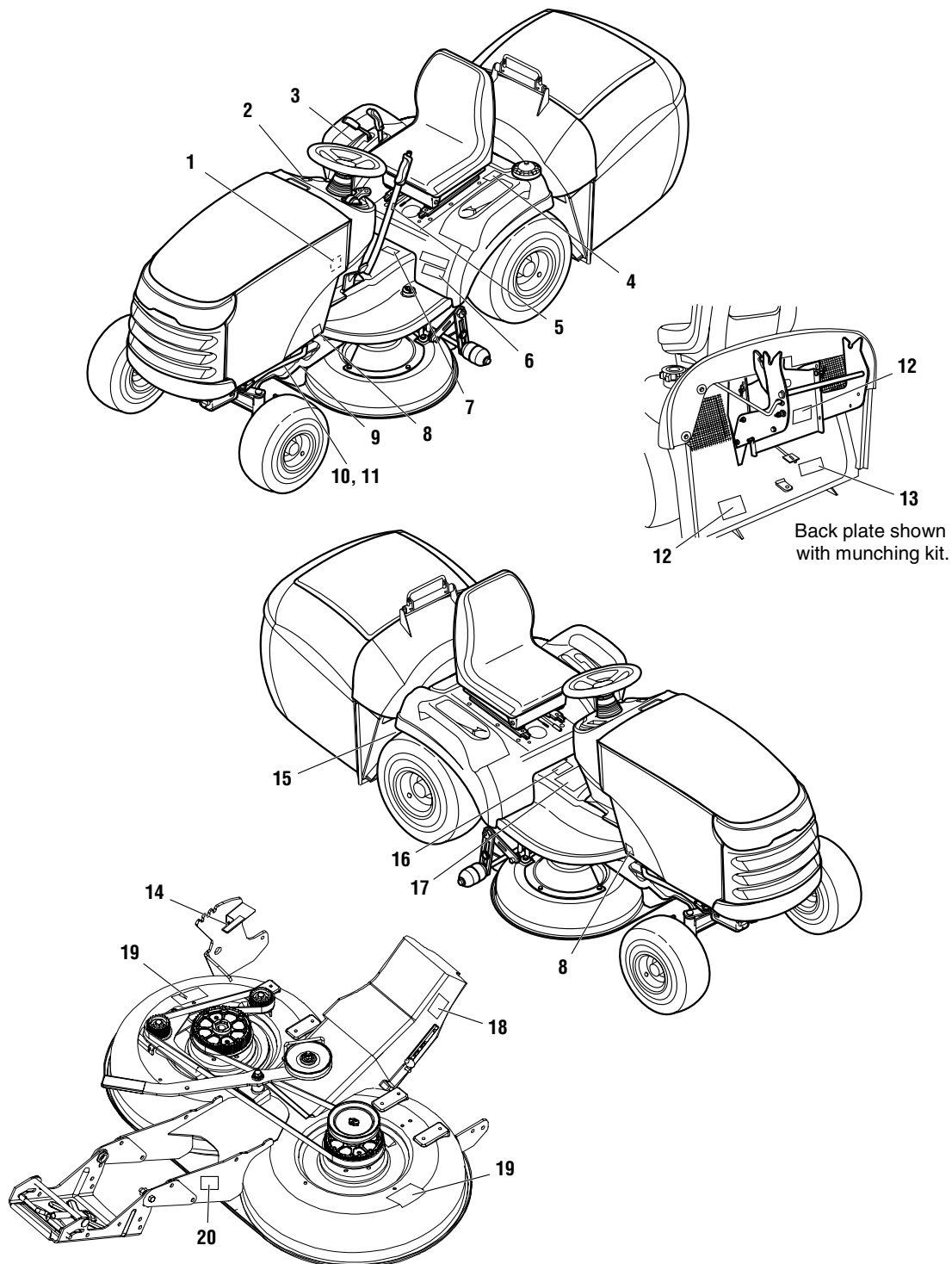
1694329 - Baron
1694328 - Baron
1694315 - Baron
1694346 - 2416H
1694347 - 2418H
1694482 - Baron

1694485 - 2417H
1694481 - Baron
1694483 - 2420H

Decals Group - Safety & Common

NOTE: Unless noted otherwise,
use the standard hardware torque
specification chart.

C986263



The above parts group applies to the following Mfg. Nos.:

- | | |
|-----------------|-----------------|
| 1694329 - Baron | 1694485 - 2417H |
| 1694328 - Baron | 1694481 - Baron |
| 1694315 - Baron | 1694483 - 2420H |
| 1694346 - 2416H | |
| 1694347 - 2418H | |
| 1694482 - Baron | |

Decals Group - Safety & Common

REF NO	PART NO.	QTY.	DESCRIPTION
1	1725152	1	DECAL, Belt & Blade
2	1722806	1	DECAL, Ignition Switch
3	1723713	1	DECAL, Crusie / Lift
4	1724680	1	DECAL, Latch Release
5	1723310	1	DECAL, Hopper Lever
6	1722549	1	DECAL, 16HP
6	1722550	1	DECAL, 17HP
6	1722779	1	DECAL, 18HP
6	1722780	1	DECAL, 20HP
7	1723317	1	DECAL, Hopper Pedal
8	1723296	2	DECAL, Protective, Clear
9	*	1	DECAL, Patent
10	*	2	DECAL, Decible Power Mass, Export Only, (Not Serviced)
11	*	1	DECAL, Serial Number, Tractor, (Not Serviced)
12	1720391	2	DECAL, Danger Operating W/O Catcher
13	1721141	1	DECAL, Drawbar Max Load
14	1723470	1	DECAL, Height Of Cut
15	1723425	1	DECAL, Transmission Release Valve
16	1720390	1	DECAL, Danger Catcher Open
17	1723175	1	DECAL, Warning/Danger Icons, Tunnel, Export
18	1721107	1	DECAL, Danger, Discharge Tube
19	1720389	2	DECAL, Danger Rotating Blade, Export
20	*	1	DECAL, Serial Number, Mower Deck, (Not Serviced)

Footnotes

* Not a Service Part

The above parts group applies to the following Mfg. Nos.:

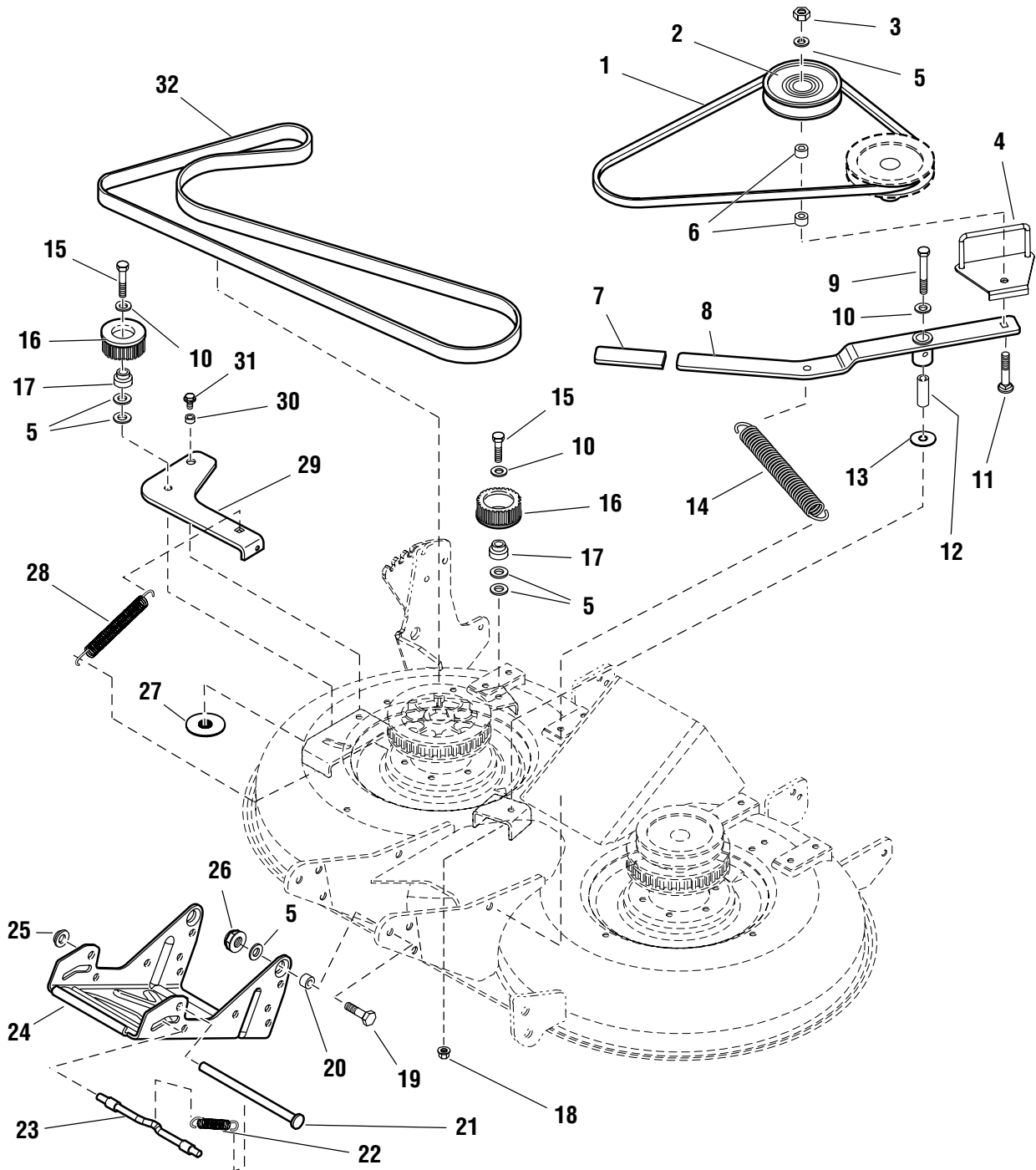
1694329 - Baron
1694328 - Baron
1694315 - Baron
1694346 - 2416H
1694347 - 2418H
1694482 - Baron

1694485 - 2417H
1694481 - Baron
1694483 - 2420H

40 inch Mower Deck - Belt, Idle Arm & Hitch

986251

NOTE: Unless noted otherwise,
use the standard hardware torque
specification chart.



The above parts group applies to the following Mfg. Nos.:

- 1694331 - 40 inch Mower
- 1694338 - 40 inch Mower

40 inch Mower Deck - Belt, Idle Arm & Hitch

REF NO	PART NO.	QTY.	DESCRIPTION
1	1722678	1	V-BELT
2	101096	1	PULLEY, 4-1/2 OD
3	1919439	1	NUT, Hex Lock ESNA, 3/8-16
4	1722175	1	PLATE & GUIDE ASSEMBLY, Belt
5	1924940	7	WASHER
6	157081	2	SPACER
7	1719965	1	GRIP, Black
8	1720444	1	IDLER ARM ASSEMBLY, w/Bushings
9	1960614	1	CAPSCREW, Hex Head, 3/8-16 x 3, G8
10	1922755	3	WASHER
11	1960615	1	CARRIAGE BOLT, 3/8-16 x 2-1/2
12	1657242	1	SPACER
13	1933263	1	WASHER
14	1715435	1	SPRING, Extension
15	1923701	2	CAPSCREW, Hex Head, 3/8-16 x 2
16	1724802	2	PULLEY, Idler
17	1719221	2	HUB, Pulley
18	1928352	2	NUT, Hex Flange Lock, 3/8-16
19	1921968	2	CAPSCREW, Hex Head, 3/8-16 1-3/8
20	172329	2	SPACER
21	1713578	1	ROD
22	156302	1	SPRING, Extension
23	1715759	1	ROD
24	1720044	1	HITCH, Mower
25	1960519	1	NUT, Push
26	960681	2	NUT, Spiral Flange Toplock, 3/8-16
27	1721425	1	WASHER & LOCK NUT ASSEMBLY, 3/8-16
28	1674671	1	SPRING, Extension
29	1726387	1	ARM, Idler
30	1666697	1	SPACER
31	1930601	1	SCREW, Hex Head Taptite, 5/16-18 x 5/8
32	1724626	1	BELT, Timing

Footnotes

The above parts group applies to the following Mfg. Nos.:

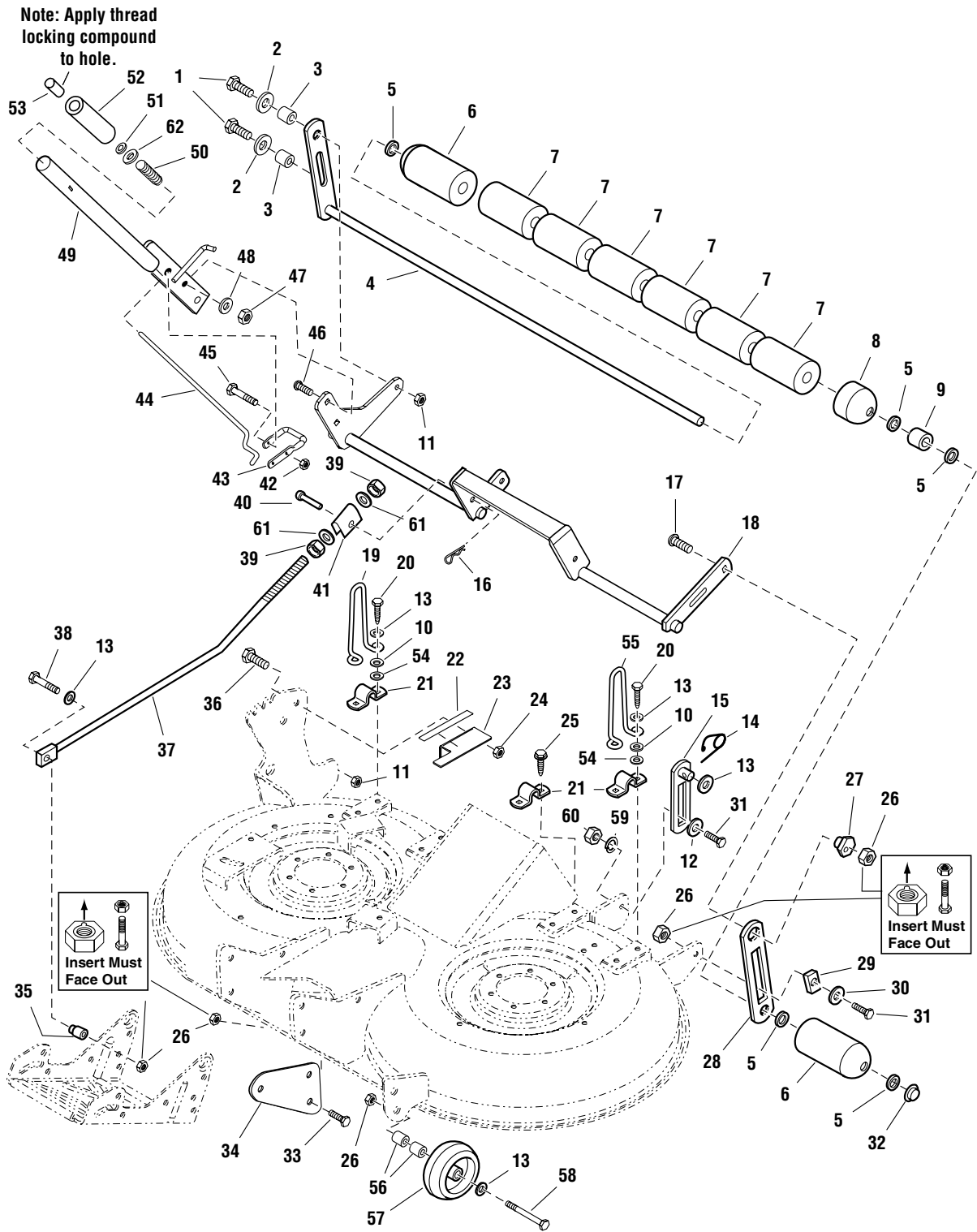
1694331 - 40 inch Mower

1694338 - 40 inch Mower

40 inch Mower Deck - Height Adjustment & Roller Bar (Serial No. 1999 and Below)

S0986291

NOTE: Unless noted otherwise,
use the standard hardware torque
specification chart.



The above parts group applies to the following Mfg. Nos.:

1694331 - 40 inch Mower

1694338 - 40 inch Mower

40 inch Mower Deck - Height Adjustment & Roller Bar (Serial No. 1999 and Below)

REF NO	PART NO.	QTY.	DESCRIPTION
1	1921977	2	CAPSCREW, Hex Head, 5/16-18 x 1-1/4
2	1960044	2	WASHER
3	1960236	2	SPACER
4	1723305	1	SHAFT & BAR ASSEMBLY
5	1924366	7	WASHER
6	1722036	2	ROLLER
7	1668513	6	ROLLER
8	1717675	1	ROLLER
9	1602946	1	SPACER
10	1919381	4	WASHER
11	960643	2	NUT, Hex Flange Lock, 5/16-18
12	1960170	2	WASHER, 3/8
13	1924940	8	WASHER
14	176012	1	RETAINER, Pin
15	1725043	1	LINK & PIN ASSEMBLY
16	1722460	1	PIN, Retaining
17	1931352	1	CARRIAGE BOLT, 3/8-16 x 1-1/2
18	1722663	1	SHAFT & ARM ASSEMBLY
19	1720659	1	STOP, Up
20	1931202	4	CAPSCREW, Hex Head Taptite, 5/16-18 x 1-1/4
21	1665374	3	STRAP
22	1723470	1	DECAL, Height of Cut
23	1720931	1	BRACKET, Height of Cut
24	1919438	2	NUT, Hex ESNA, 3/8-16
25	1664847	2	CAPSCREW, Hex Head Taptite, 5/16-18 x 3/4
26	960641	9	NUT, Hex Lock Aluminum Insert, 3/8-16
27	1704082	1	NUT, Hex Adjusting
28	1704073	1	BAR
29	1677507	1	SLIDE
30	1924361	1	WASHER
31	172622	3	SHOULDER BOLT, 3/8-16
32	1960520	1	NUT, Push
33	1934654	4	CAPSCREW, Hex Head Whiz Lock, 3/8-16 x 1
34	1723525	2	SUPPORT, Hitch
35	1706644	1	SPACER
36	1921332	2	CAPSCREW, Hex Head, 5/16-18 x 3/4
37	1722661	1	ROD, Adjusting
38	1922606	1	CAPSCREW, Hex Head, 3/8-16 x 1-3/4, GR8
39	1915726	2	NUT, Hex, 5/8-11
40	118053	1	PIN, Round Head Drilled, 3/8 x 2
41	1706645	1	TRUNNION
42	1920397	1	NUT, Hex Lock ESNA, 1/4-20
43	1720599	1	LATCH, "U"
44	1721257	1	ROD

Footnotes

The above parts group applies to the following Mfg. Nos.:

1694331 - 40 inch Mower

1694338 - 40 inch Mower

40 inch Mower Deck - Height Adjustment & Roller Bar (Serial No. 1999 and Below)

REF NO	PART NO.	QTY.	DESCRIPTION
45	1921159	1	CAPSCREW, Hex Head 1/4-20 x 2-1/4
46	1931335	2	CARRIAGE BOLT, 5/16-18 x 1
47	1917372	2	NUT, Hex, 5/16-18
48	1917356	2	LOCKWASHER, 5/16
49	1720695	1	HANDLE ASSEMBLY, Lift
50	1723321	1	SPRING, Compression
51	1960674	1	NUT, Push
52	1713995	1	GRIP, Black
53	1723124	1	BUTTON, Red
54	1933988	4	NUT, Push
55	1719929	1	UPSTOP
56	1669585	4	SPACER
57	1714760	2	WHEEL, Gauge
58	1923903	2	CAPSCREW, Hex Head, 3/8-16 x 3
59	1916965	2	LOCKWASHER, 3/3
60	1916950	2	NUT, Hex, 3/8-16
61	1960703	2	WASHER, 21/32 x 1 x 1/64
62	1918265	1	WASHER, 11/32 x 11/16 x 1/16

Footnotes

The above parts group applies to the following Mfg. Nos.:

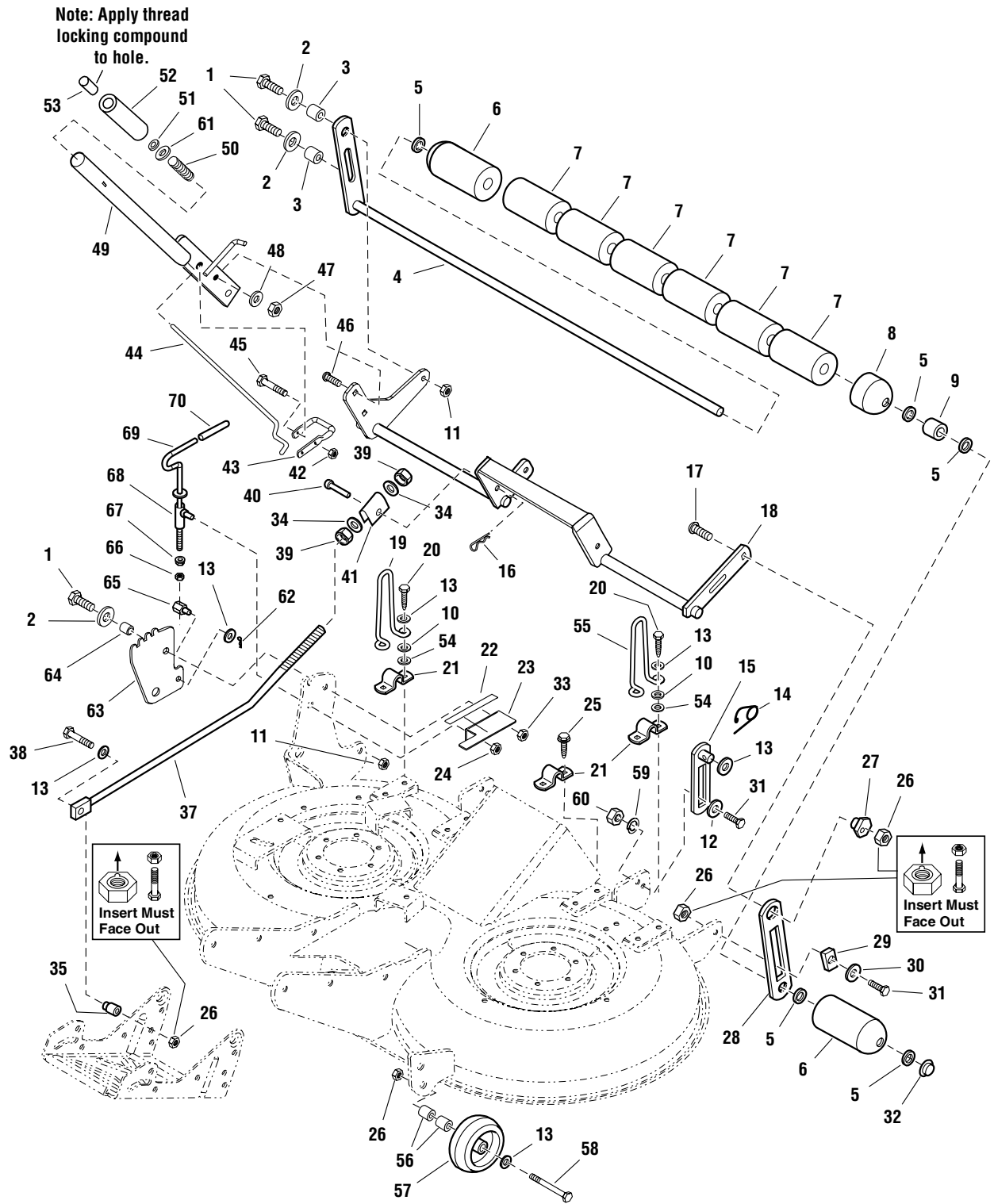
1694331 - 40 inch Mower

1694338 - 40 inch Mower

40 inch Mower Deck - Height Adjustment & Roller Bar (Serial No. 2000 and Above)

S2986291

NOTE: Unless noted otherwise, use the standard hardware torque specification chart.



The above parts group applies to the following Mfg. Nos.:

- 1694331 - 40 inch Mower
- 1694338 - 40 inch Mower

40 inch Mower Deck - Height Adjustment & Roller Bar (Serial No. 2000 and Above)

REF NO	PART NO.	QTY.	DESCRIPTION
1	1921977	3	CAPSCREW, Hex Head, 5/16-18 x 1-1/4
2	1960044	3	WASHER
3	1960236	2	SPACER
4	1723305	1	SHAFT & BAR ASSEMBLY
5	1924366	7	WASHER
6	1722036	2	ROLLER
7	1668513	6	ROLLER
8	1717675	1	ROLLER
9	1602946	1	SPACER
10	1919381	4	WASHER
11	960643	2	NUT, Hex Flange Lock, 5/16-18
12	1960170	2	WASHER, 3/8
13	1924940	8	WASHER
14	176012	1	RETAINER, Pin
15	1725043	1	LINK & PIN ASSEMBLY
16	1722460	1	PIN, Retaining
17	1931352	1	CARRIAGE BOLT, 3/8-16 x 1-1/2
18	1722663	1	SHAFT & ARM ASSEMBLY
19	1720659	1	STOP, Up
20	1931202	4	CAPSCREW, Hex Head Taptite, 5/16-18 x 1-1/4
21	1665374	3	STRAP
22	1723470	1	DECAL, Height of Cut
23	1720931	1	BRACKET, Height of Cut
24	1919438	2	NUT, Hex ESNA, 3/8-16
25	1664847	2	CAPSCREW, Hex Head Taptite, 5/16-18 x 3/4
26	960681	5	NUT, Spiral Flange Toplock, 3/8-16
27	1704082	1	NUT, Hex Adjusting
28	1704073	1	BAR
29	1677507	1	SLIDE
30	1924361	1	WASHER
31	172622	3	SHOULDER BOLT, 3/8-16
32	1960520	1	NUT, Push
33	1930651	1	NUT, Hex Centerlock, 3/8-16
34	1960703	2	WASHER, 21/32 x 1 x 1/64
35	1706644	1	SPACER
36	1921332	2	CAPSCREW, Hex Head, 5/16-18 x 3/4
37	1722661	1	ROD, Adjusting
38	1922606	1	CAPSCREW, Hex Head, 3/8-16 x 1-3/4, GR8
39	1915726	2	NUT, Hex, 5/8-11
40	118053	1	PIN, Round Head Drilled, 3/8 x 2
41	1706645	1	TRUNNION
42	1920397	1	NUT, Hex Lock ESNA, 1/4-20
43	1720599	1	LATCH, "U"
44	1721257	1	ROD

Footnotes

The above parts group applies to the following Mfg. Nos.:

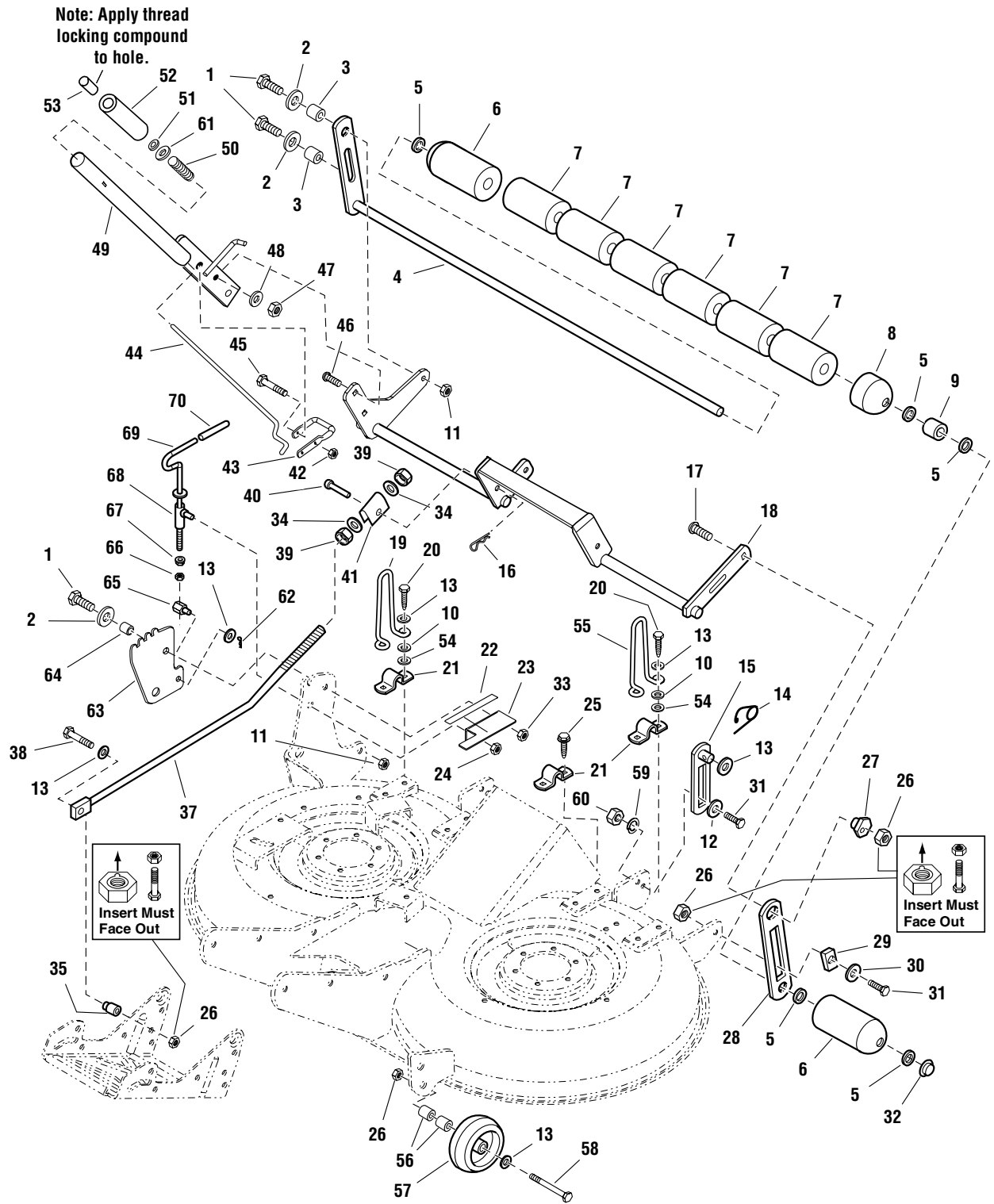
1694331 - 40 inch Mower

1694338 - 40 inch Mower

40 inch Mower Deck - Height Adjustment & Roller Bar (Serial No. 2000 and Above)

S2986291

NOTE: Unless noted otherwise, use the standard hardware torque specification chart.



The above parts group applies to the following Mfg. Nos.:

- 1694331 - 40 inch Mower
- 1694338 - 40 inch Mower

40 inch Mower Deck - Height Adjustment & Roller Bar (Serial No. 2000 and Above)

REF NO	PART NO.	QTY.	DESCRIPTION
45	1921159	1	CAPSCREW, Hex Head 1/4-20 x 2-1/4
46	1931335	2	CARRIAGE BOLT, 5/16-18 x 1
47	1917372	2	NUT, Hex, 5/16-18
48	1917356	2	LOCKWASHER, 5/16
49	1720695	1	HANDLE ASSEMBLY, Lift
50	1723321	1	SPRING, Compression
51	1960674	1	NUT, Push
52	1713995	1	GRIP, Black
53	1723124	1	BUTTON, Red
54	1933988	4	NUT, Push
55	1719929	1	UPSTOP
56	1669585	4	SPACER
57	1714760	2	WHEEL, Gauge
58	1923903	2	CAPSCREW, Hex Head, 3/8-16 x 3
59	1916965	2	LOCKWASHER, 3/3
60	1916950	2	NUT, Hex, 3/8-16
61	1918265	1	WASHER, 11/32 x 11/16 x 1/16
62	1918447	1	PIN, Cotter, 15/16 x 3/4
63	1723409	1	BRACKET, Adjusting
64	1666697	1	SPACER, 21/64 x 1/2 x 7/32
65	108512	1	PIVOT, 3/4 Hex
66	1917421	1	NUT, Hex Jam, 3/8-16 NC-2B
67	1960601	1	NUT, Hex Flange, 3/8-16
68	108241	1	GUIDE ASSEMBLY, Rod
69	1720704	1	ROD & WASHER ASSEMBLY, Adjustment Handle
70	1651820	1	GRIP, Black Vinyl

Footnotes

The above parts group applies to the following Mfg. Nos.:

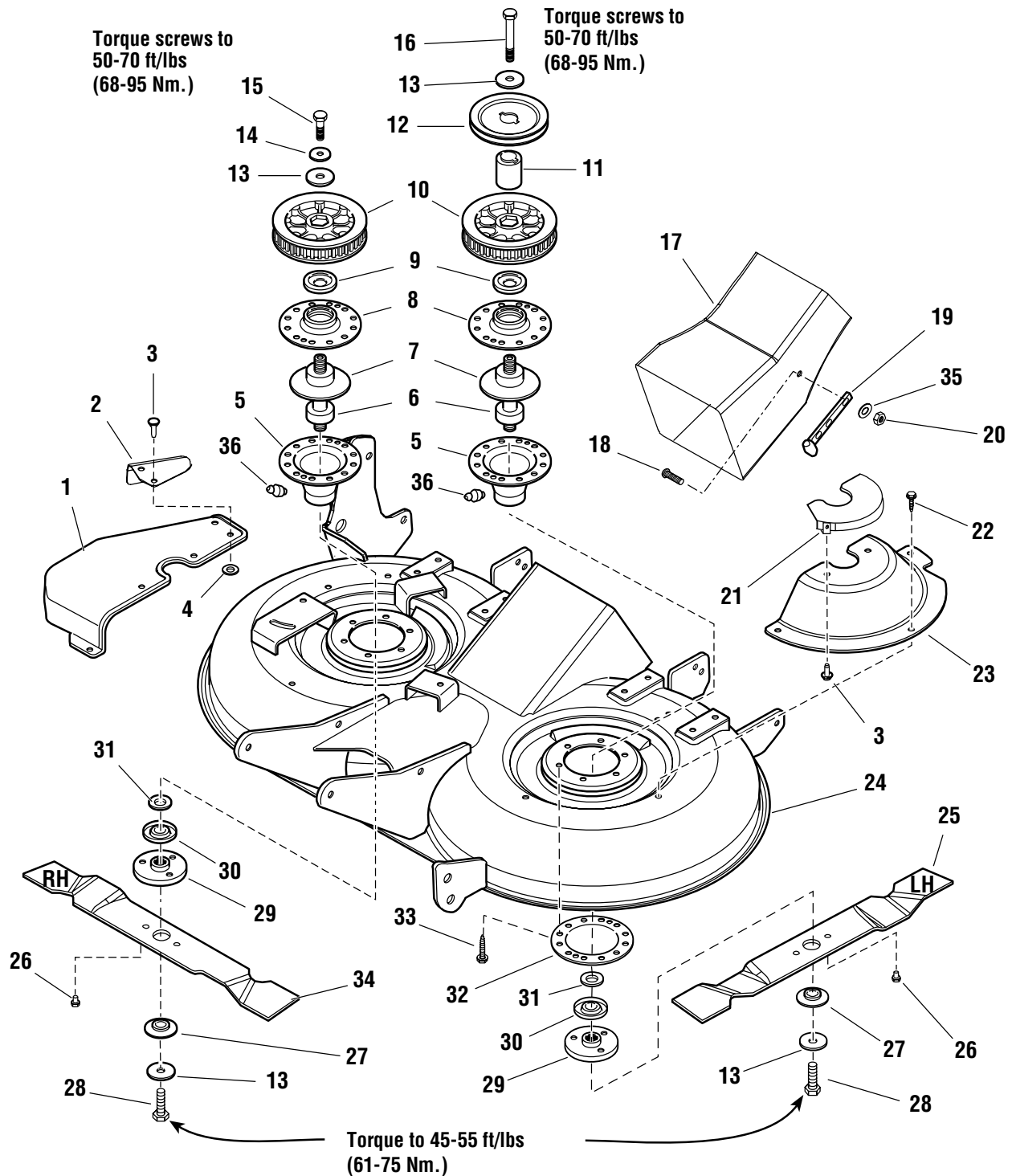
1694331 - 40 inch Mower

1694338 - 40 inch Mower

40 inch Mower Deck - Housing, Arbors & Blade (Serial No. 1999 and Below)

S0986247

NOTE: Unless noted otherwise,
use the standard hardware torque
specification chart.



The above parts group applies to the following Mfg. Nos.:

- 1694331 - 40 inch Mower
- 1694338 - 40 inch Mower

40 inch Mower Deck - Housing, Arbors & Blade (Serial No. 1999 and Below)

REF NO	PART NO.	QTY.	DESCRIPTION
1	1724600	1	COVER, Arbor, RH
2	1721132	1	GUARD, Extension
3	1675044	4	RIVET, Pop
4	1960096	2	WASHER
5	1703273	2	HOUSING, Arbor, Bottom w/Lube Fitting
6	1722396	2	ARBOR & BEARING ASSEMBLY
7	1707335	2	GASKET
8	1655729	2	HOUSING, Arbor, Top
9	1657969	2	SHIELD, Bearing
10	1724453	2	SPROCKET & FLANGE ASSEMBLY, 38 Tooth
11	1719862	1	HUB
12	1713091	1	PULLEY, 5" OD
13	1656916	4	WASHER, Spring
14	1933263	1	WASHER
15	1930584	1	CAPSCREW, Hex Head, 7/16-14 x 2-3/4, GR8
16	960644	1	CAPSCREW, Hex Head, 7/16-14 x 4-1/2, GR8
17	1722577	1	TUBE CONNECTOR
18	1923341	1	CAPSCREW, Hex Head Phillips, 1/4-20 x 3/4
19	171600	1	STRAP, Black Rubber
20	1920397	1	NUT, Hex Nylock, 1/4-20
21	1721258	1	GUARD & BRACKET ASSEMBLY, LH
22	1664847	6	CAPSCREW, Hex Head Taptite, 5/16-18 x 3/4
23	1724601	1	COVER, Arbor, LH
24	1686979	1	HOUSING ASSEMBLY
24	41686979	1	HOUSING ASSEMBLY, Red
25	1719736	1	BLADE, Mower, LH
26	1722258	2	PIN, Blade
27	1722257	2	WASHER, Spline
28	927120	2	CAPSCREW, Hex Head, 7/16-14 x 2-1/4, GR8
29	1655777	2	ADAPTER, Blade
30	1700229	2	SHIELD, Bearing
31	1700230	2	WASHER, Shim
32	1677274	2	ADAPTER, Arbor
33	1960373	12	CAPSCREW, Hex Head Taptite, 5/16-18 x 1
34	1719737	1	BLADE, Mower, RH
35	1921319	1	WASHER, 1/4
36	1704314	2	FITTING, Lube

Footnotes

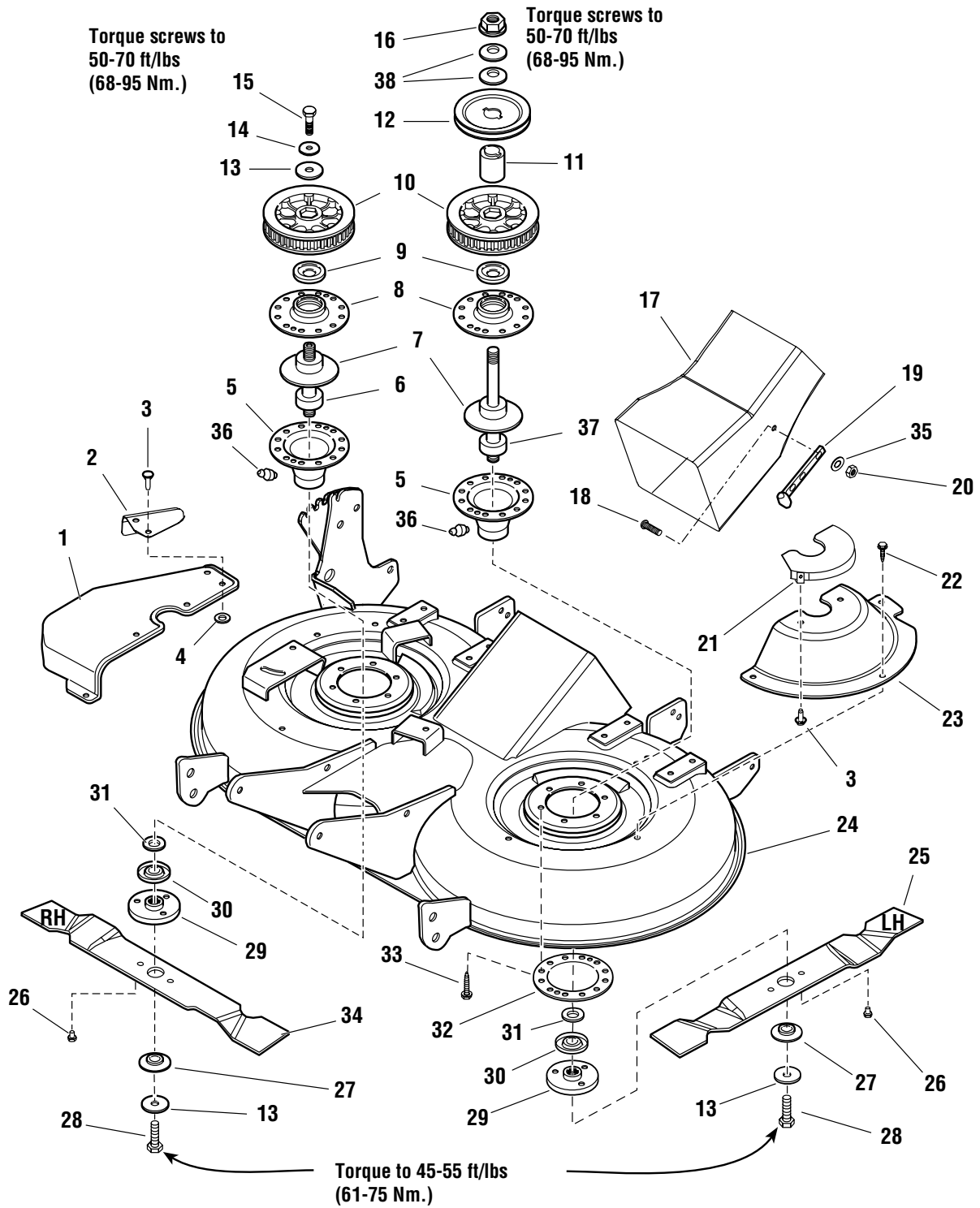
The above parts group applies to the following Mfg. Nos.:

1694331 - 40 inch Mower
1694338 - 40 inch Mower

40 inch Mower Deck - Housing, Arbors & Blade (Serial No. 2000 and Above)

S2986247

NOTE: Unless noted otherwise, use the standard hardware torque specification chart.



The above parts group applies to the following Mfg. Nos.:

- 1694331 - 40 inch Mower
- 1694338 - 40 inch Mower

40 inch Mower Deck - Housing, Arbors & Blade (Serial No. 2000 and Above)

REF NO	PART NO.	QTY.	DESCRIPTION
1	1724600	1	COVER, Arbor, RH
2	1721132	1	GUARD, Extension
3	1675044	4	RIVET, Pop
4	1960096	2	WASHER
5	1703273	2	HOUSING, Arbor, Bottom w/Lube Fitting
6	1722396	1	ARBOR SHAFT & BEARING ASSEMBLY
7	1707335	2	GASKET
8	1655729	2	HOUSING, Arbor, Top
9	1657969	2	SHIELD, Bearing
10	1724453	2	SPROCKET & FLANGE ASSEMBLY, 38 Tooth
11	1719862	1	HUB
12	1713091	1	PULLEY, 5" OD
13	1656916	2	WASHER, Spring
14	1933263	1	WASHER
15	1930584	1	CAPSCREW, Hex Head, 7/16-14 x 2-3/4, GR8
16	1714419	1	NUT, Hex Flange, 9/16-18
17	1722577	1	TUBE CONNECTOR
18	1923341	1	CAPSCREW, Hex Head Phillips, 1/4-20 x 3/4
19	171600	1	STRAP, Black Rubber
20	1920397	1	NUT, Hex Nylock, 1/4-20
21	1721258	1	GUARD & BRACKET ASSEMBLY, LH
22	1664847	6	CAPSCREW, Hex Head Taptite, 5/16-18 x 3/4
23	1724601	1	COVER, Arbor, LH
24	1686979	1	HOUSING ASSEMBLY
24	41686979	1	HOUSING ASSEMBLY, Red
25	1719736	1	BLADE, Mower, LH
26	1722258	2	PIN, Blade
27	1722257	2	WASHER, Spline
28	927120	2	CAPSCREW, Hex Head, 7/16-14 x 2-1/4, GR8
29	1655777	2	ADAPTER, Blade
30	1700229	2	SHIELD, Bearing
31	1700230	2	WASHER, Shim
32	1677274	2	ADAPTER, Arbor
33	1960373	12	CAPSCREW, Hex Head Taptite, 5/16-18 x 1
34	1719737	1	BLADE, Mower, RH
35	1921319	1	WASHER, 1/4
36	1704314	2	FITTING, Lube
37	1726826	1	ARBOR SHAFT & BEARING ASSEMBLY
38	1713675	2	WASHER, Belleville

Footnotes

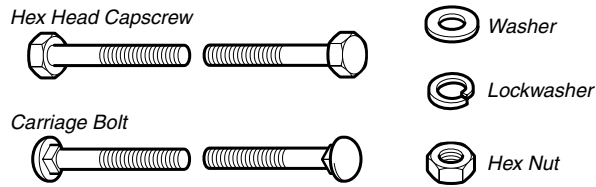
The above parts group applies to the following Mfg. Nos.:

1694331 - 40 inch Mower

1694338 - 40 inch Mower

Hardware Identification & Torque Specifications

Common Hardware Types

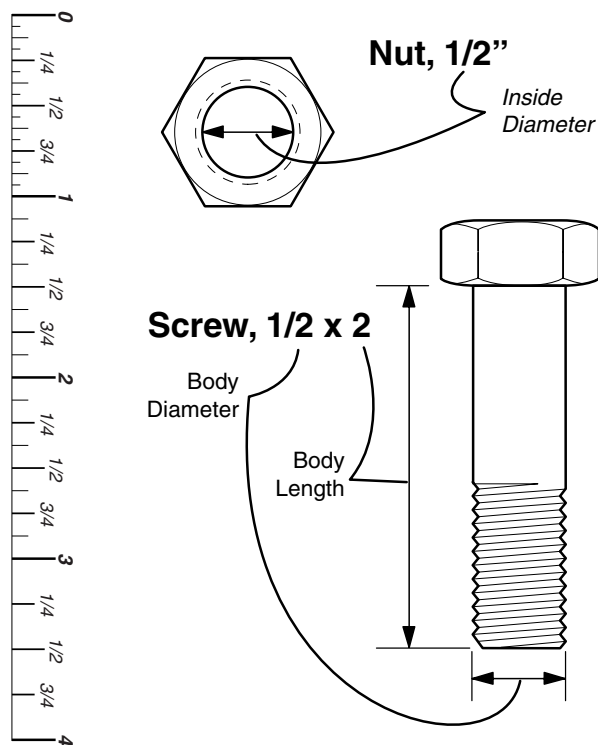


Standard Hardware Sizing

When a washer or nut is identified as 1/2", this is the *Nominal size*, meaning the *inside diameter* is 1/2 inch; if a second number is present it represents the *threads per inch*

When bolt or capscrew is identified as 1/2 - 16 x 2", this means the *Nominal size*, or *body diameter* is 1/2 inch; the second number represents the *threads per inch* (16 in this example, and the final number is the *body length* of the bolt or screw (in this example 2 inches long).

The guides and ruler furnished below are designed to help you select the appropriate hardware and tools.



Torque Specification Chart

FOR STANDARD MACHINE HARDWARE (Tolerance $\pm 20\%$)

Hardware Grade	No Marks SAE Grade 2		SAE Grade 5		SAE Grade 8	
	in/lbs ft/lbs	Nm.	in/lbs ft/lbs	Nm.	in/lbs ft/lbs	Nm.
8-32	19	2.1	30	3.4	41	4.6
8-36	20	2.3	31	3.5	43	4.9
10-24	27	3.1	43	4.9	60	6.8
10-32	31	3.5	49	5.5	68	7.7
1/4-20	66	7.6	8	10.9	12	16.3
1/4-28	76	8.6	10	13.6	14	19.0
5/16-18	11	15.0	17	23.1	25	34.0
5/16-24	12	16.3	19	25.8	27	34.0
3/8-16	20	27.2	30	40.8	45	61.2
3/8-24	23	31.3	35	47.6	50	68.0
7/16-14	30	40.8	50	68.0	70	95.2
7/16-20	35	47.6	55	74.8	80	108.8
1/2-13	50	68.0	75	102.0	110	149.6
1/2-20	55	74.8	90	122.4	120	163.2
9/16-12	65	88.4	110	149.6	150	204.0
9/16-18	75	102.0	120	163.2	170	231.2
5/8-11	90	122.4	150	204.0	220	299.2
5/8-18	100	136	180	244.8	240	326.4
3/4-10	160	217.6	260	353.6	386	525.0
3/4-16	180	244.8	300	408.0	420	571.2
7/8-9	140	190.4	400	544.0	600	816.0
7/8-14	155	210.8	440	598.4	660	897.6
1-8	220	299.2	580	788.8	900	1,244.0
1-12	240	326.4	640	870.4	1,000	1,360.0

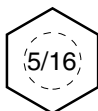
NOTES

- These torque values are to be used for all hardware excluding: locknuts, self-tapping screws, thread forming screws, sheet metal screws and socket head setscrews.
- Recommended seating torque values for locknuts:
 - for prevailing torque locknuts - use 65% of grade 5 torques.
 - for flange whizlock nuts and screws - use 135% of grade 5 torques.
- Unless otherwise noted on assembly drawings, all torque values must meet this specification.

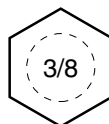
Wrench & Fastener Size Guide



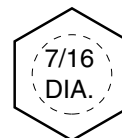
1/4" Bolt or Nut
Wrench—7/16"



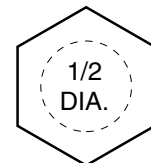
5/16" Bolt or Nut
Wrench—1/2"



3/8" Bolt or Nut
Wrench—9/16"



7/16" Bolt or Nut
Wrench (Bolt)—5/8"
Wrench (Nut)—11/16"



1/2" Bolt or Nut
Wrench—3/4"

Simplicity

MANUFACTURING, INC.
500 N. Spring Street / PO Box 997
Port Washington, WI 53074-0997 USA

www.simplicitymfg.com

© Copyright 2003 Simplicity Manufacturing, Inc.
All Rights Reserved. Printed In USA.

