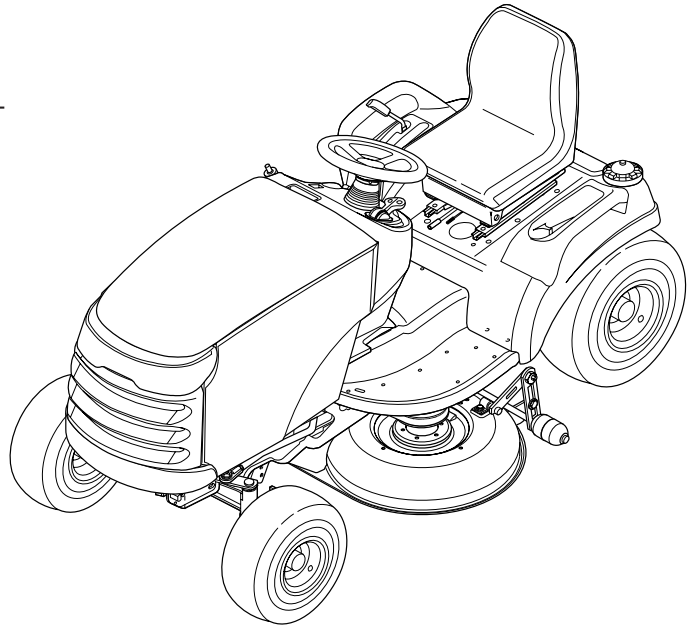




Parts Manual



Broadmoor / 1600 / 2600 Series Lawn Tractors & Mower Decks

18HP Models

Mfg. No. Description

1694629	Broadmoor, 18HP Hydro RMO
1694630	Broadmoor, 18HP Hydro RMO
1694631	Broadmoor, 18HP Hydro RMO (CE)
1694683	Broadmoor, 18HP Hydro RMO (CE)
1694807	2618, 18HP Hydro RMO (CE)
1694844	2618H, 18HP Hydro RMO (CE)
2690273	Broadmoor, 18HP Hydro RMO and 44" Mower Deck
2690274	Broadmoor, 18HP Hydro RMO and 38" Mower Deck
2690276	Broadmoor, 18HP Hydro RMO and 44" Mower Deck (CE)
2690277	Broadmoor, 18HP Hydro RMO and 40" Mower Deck (CE)
2690399	2618, 18HP Hydro RMO and 40" Mower Deck (CE)
2690400	2618, 18HP Hydro RMO and 44" Mower Deck (CE)
2690407	Broadmoor, 18HP Hydro RMO TRACTOR ONLY
2690430	2618H, 18HP Hydro RMO and 40" Mower Deck (CE)

20HP Models

Mfg. No. Description

1694632	Broadmoor, 20HP Hydro RMO
1694633	1620H, 20HP Hydro RMO
1694634	1620H, 20HP Hydro RMO
1694635	2620H, 20HP Hydro RMO (CE)
1694636	2620H, 20HP Hydro RMO
1694682	Broadmoor, 20HP Hydro RMO
2690275	Broadmoor, 20HP Hydro RMO and 44" Mower Deck
2690278	Broadmoor, 20HP Hydro RMO and 50" Mower Deck

2690279	1620H, 20HP Hydro RMO and 44" Mower Deck
2690280	1620H, 20HP Hydro RMO and 50" Mower Deck
2690281	2620H, 20HP Hydro RMO and 44" Mower Deck
2690282	2620H, 20HP Hydro RMO and 50" Mower Deck
2690408	Broadmoor, 20HP Hydro RMO TRACTOR ONLY
2690424	2620H, 20HP Hydro RMO and 44" Mower Deck

Mower Decks

Mfg. No. Description

1694036	38" Mower Deck
1694042	38" Mower Deck
1694339	40" Mower Deck
1694340	40" Mower Deck
1694341	40" Mower Deck (CE)
1694821	40" Mower Deck (CE)
1694037	44" Mower Deck
1694043	44" Mower Deck
1694178	44" Mower Deck (CE)
1694822	44" Mower Deck (CE)
1694174	50" Mower Deck (CE)
1694473	50" Mower Deck
1694474	50" Mower Deck

Part No.: 1731173

Rev. 10/2005

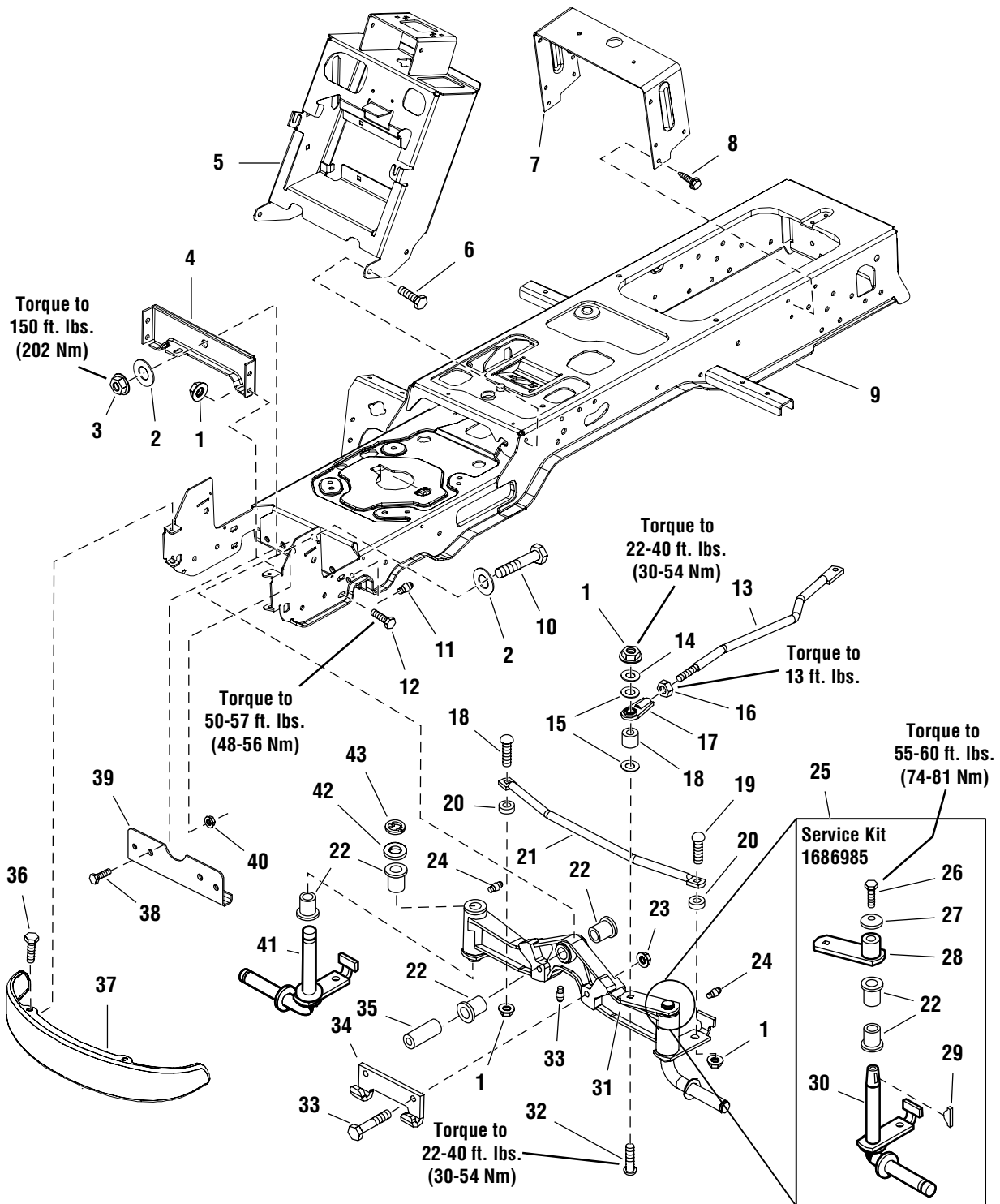
TP 400-4205-01-BM-SMA

PRODUCT COMPONENTS	PAGES
Frame & Front Axle Group	4
Steering Group - Manual Steering	6
Engine & Electric Clutch Group - 16HP & 18HP Briggs & Stratton, Vanguard	8
Engine & Electric Clutch Group - 18HP & 20HP Briggs & Stratton, Vanguard	10
Engine Group - 18HP Kohler	12
Transmission Group - Tuff Torq K-57	14
Transmission SERVICE PARTS - Tuff Torq K-57A	16
Controls Group	20
Cruise Control Group	22
Electrical Group	24
Hood, Grille & Dash Group	26
Seat & Seat Deck Group	28
Lift Group - Manual Lift	30
Lift Group - Manual Lift	32
Wheels & Tires Group	34
Decals - Brand & Model	36
Decals - Safety & Common	38
38" Mower Deck - Belt, Idler Arm & Hitch	40
38" Mower Deck - Height Adjustment & Roller Bar	42
38" Mower Deck - Housing, Arbors & Blades	46
40" Mower Deck - Belt, Idler Arm & Hitch	48
40" Mower Deck - Height Adjustment & Roller Bar	50
40" Mower Deck - Housing, Arbors & Blades	54
44" Mower Deck - Belt, Idler Arm & Hitch	58
44" Mower Deck - Height Adjustment & Roller Bar	60
44" Mower Deck - Housing, Arbors & Blades	64
44" Mower Deck - Housing, Arbors & Blades CE	66
50" Mower Deck - Clutch & Support	70
50" Mower Deck - Height Adjustment & Roller Bar	72
50" Mower Deck - Height Adjustment & Roller Bar	76
50" Mower Deck - Housing, Arbors & Blades	80
50" Mower Deck - Housing, Arbors & Blades	82
Torque Specification Chart	Inside Back Cover

Frame & Front Axle Group

986681

NOTE: Unless noted otherwise, use the standard hardware torque specification chart.



The above parts group applies to the following Mfg. Nos.:

- | | |
|---------------------|---------------------|
| 1694629 - Broadmoor | 1694635 - 2620H |
| 1694630 - Broadmoor | 1694682 - Broadmoor |
| 1694631 - Broadmoor | 1694683 - Broadmoor |
| 1694632 - Broadmoor | 1694807 - 2618 |
| 1694633 - 1620H | 1694844 - 2618H |
| 1694634 - 1620H | |

Frame & Front Axle Group

REF NO	PART NO.	QTY.	DESCRIPTION
1	1930645	7	NUT, Hex Flange Lock, 3/8-16
2	1960035	2	WASHER
3	2860646	1	NUT, Hex Flange, 5/8-11
4	1722212A	1	PLATE, Axle
5	1724081A	1	TOWER & SUPPORT ASSEMBLY
6	1923683	4	CAPSCREW, Hex Head Taptite, 3/8-16 x 3/4
7	1723528A	1	SUPPORT
8	1664847	4	CAPSCREW, Hex Head Taptite, 5/16-18 x 3/4
9	1726989A	1	FRAME ASSEMBLY
10	2860645	1	CAPSCREW, 5/8-11 x 3-1/2
11	1704314	2	FITTING, Grease for Wear Plate, 1/4-20, with Ball
12	1933260	4	CAPSCREW, Hex Head, Flange Lock, 3/8-16 x 3/4
13	1722541	1	LINK, Drag
14	1922755	1	WASHER
15	1960103	2	WASHER
16	1919262	1	NUT, Hex Jam, 1/2-20
17	1702779A	1	JOINT, Ball
18	1708236	1	SPACER
19	1931350	2	CARRIAGE BOLT, 3/8-16 x 1
20	1611705	2	SPACER
21	1722626A	1	ROD, Tie
22	1721682	6	BUSHING
23	1930650	2	NUT, Hex Flange Lock, 7/16-14
24	1704314	3	FITTING, Lube
25	1686985	1	SPINDLE REPLACEMENT KIT, LH (Includes Ref. Nos. 22, 26, 27, 28, 29 & 30)
26	2823485	1	CAPSCREW, 3/8-16 x 7/8, GR8
27	1663151	1	WASHER, Spring, 3/8
28	1725112	1	HUB & ARM ASSEMBLY
29	2830671	1	KEY, Woodruff
30	1724264	1	SPINDLE, LH
31	1722200A	1	AXLE ASSEMBLY, w/ LH Spindle, Complete (Includes Ref. Nos. 22, 24, 41, 42 & 43)
32	1931352	1	CARRIAGE BOLT, 3/8-16 x 1-1/2
33	1927531	2	CAPSCREW, Hex Head, 7/16-14 x 2, GR8
34	1721918A	1	HOOK, "J"
35	1721752	1	SPACER
36	1960086	4	SCREW, Torx Head, 5/16-18 x 7/8
37	1721805A	1	BUMPER, Black, Steel, Standard
37	1723502	1	BUMPER, Chrome, Optional
38	1930591	2	CAPSCREW, Hex Whiz Lock, 5/16-18 x 3/4
39	1724801A	1	PLATE, Axle Wear
40	1931277	2	NUT, Hex Falnge Whiz Lock, 5/16-18
41	1722199	1	SPINDLE, RH
42	1919394	1	WASHER
43	2832577	1	RETAINING RING

Footnotes

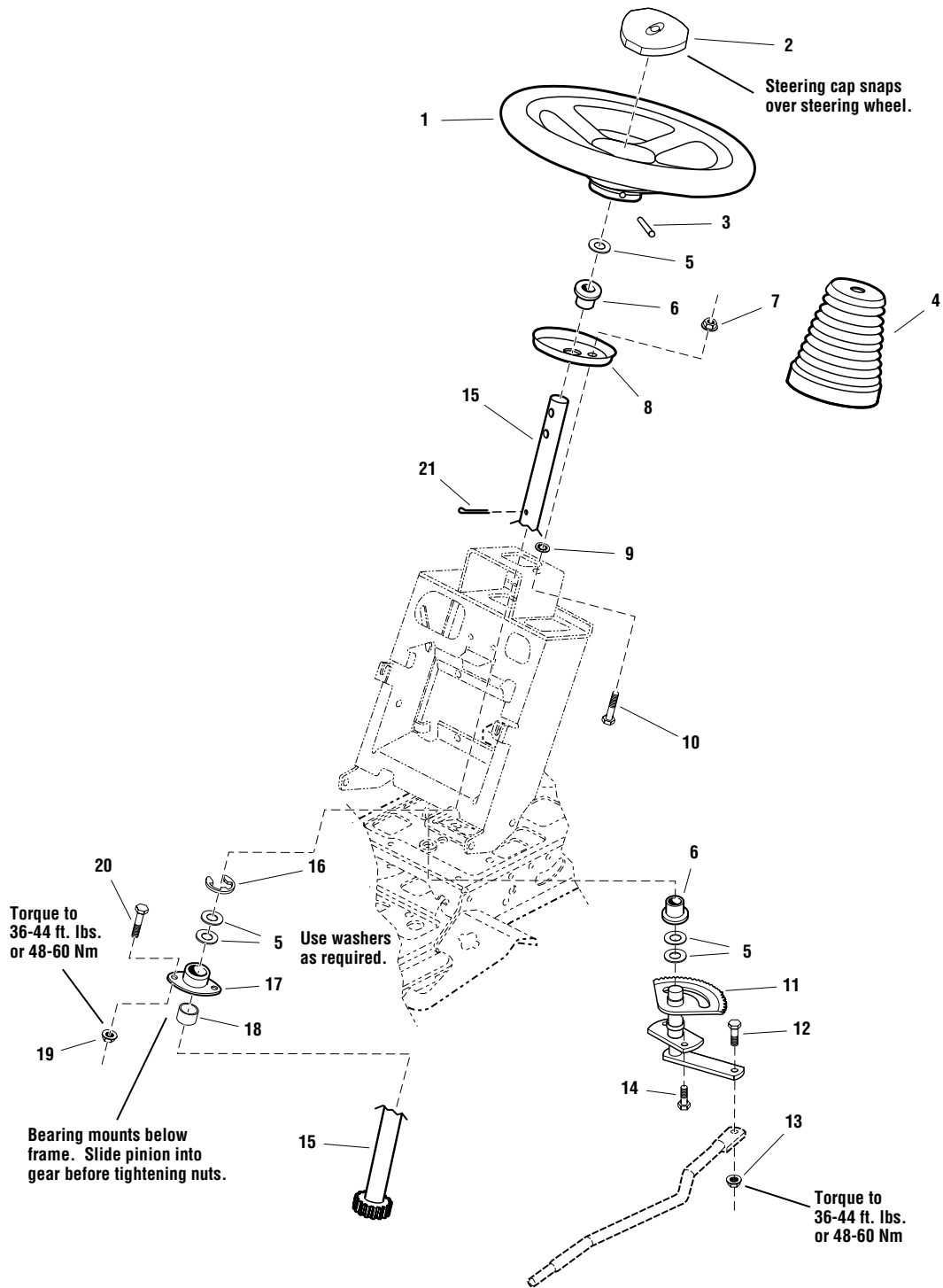
The above parts group applies to the following Mfg. Nos.:

1694629 - Broadmoor	1694635 - 2620H
1694630 - Broadmoor	1694682 - Broadmoor
1694631 - Broadmoor	1694683 - Broadmoor
1694632 - Broadmoor	1694807 - 2618
1694633 - 1620H	1694844 - 2618H
1694634 - 1620H	

Steering Group - Manual Steering

985890

NOTE: Unless noted otherwise, use the standard hardware torque specification chart.



The above parts group applies to the following Mfg. Nos.:

1694629 - Broadmoor	1694635 - 2620H
1694630 - Broadmoor	1694636 - 2620H
1694631 - Broadmoor	1694682 - Broadmoor
1694632 - Broadmoor	1694683 - Broadmoor
1694633 - 1620H	1694807 - 2618
1694634 - 1620H	1694844 - 2618H

Steering Group - Manual Steering

REF NO	PART NO.	QTY.	DESCRIPTION
1	1722318	1	STEERING WHEEL, Straight, Shaft
2	1722319	1	CAP, Steering Wheel, SMI Logo
2	1725024	1	CAP, Steering Wheel, Plain
3	1960540	1	PIN, Spring, 5/16 x 2-1/2
4	1722749	1	COVER, Rubber, Upper Steering Shaft
5	1960114	5	WASHER, 3/4
6	2176440	2	BUSHING, 15/32 x 7/8 x 7/8, Nylon
7	1960636	2	NUT, Hex KEPS 5/6-18
8	1721736A	1	PLATE, Mounting Steering
9	1933988	2	NUT, Push
10	1960655	2	CARRIAGE BOLT, 5/16-18 x 1-1/4
11	1724470A	1	GEAR & SHAFT ASSEMBLY, Steering
12	1960032	1	CAPSCREW, Hex Head, 3/8-16 x 1-1/4, Black
13	1930645	1	NUT, Hex Flange Two-Way Lock, 3/8-16
14	1664847	2	CAPSCREW, Hex Washer Head Taptite, 5/16-18 x 3/4
15	1721626	1	SHAFT & PINION ASSEMBLY, Steering Manual
16	1611710	1	RING, Clipping Extension
17	1722459	1	BEARING, 3/4 x 1-11/16 x 13/16, 3" Long Housing
18	1722461	1	SPACER, 3/4 x 1-1/16 x 3/8, Powder Metal
19	1931211	2	NUT, Hex Flange Whiz Lock, 3/8-16, Small
20	1933260	2	CAPSCREW, Hex Whiz Lock Flange, 3/8-16 x 3/4, Black
21	1919314	1	PIN, Cotter, 1-1/4, Black

Footnotes

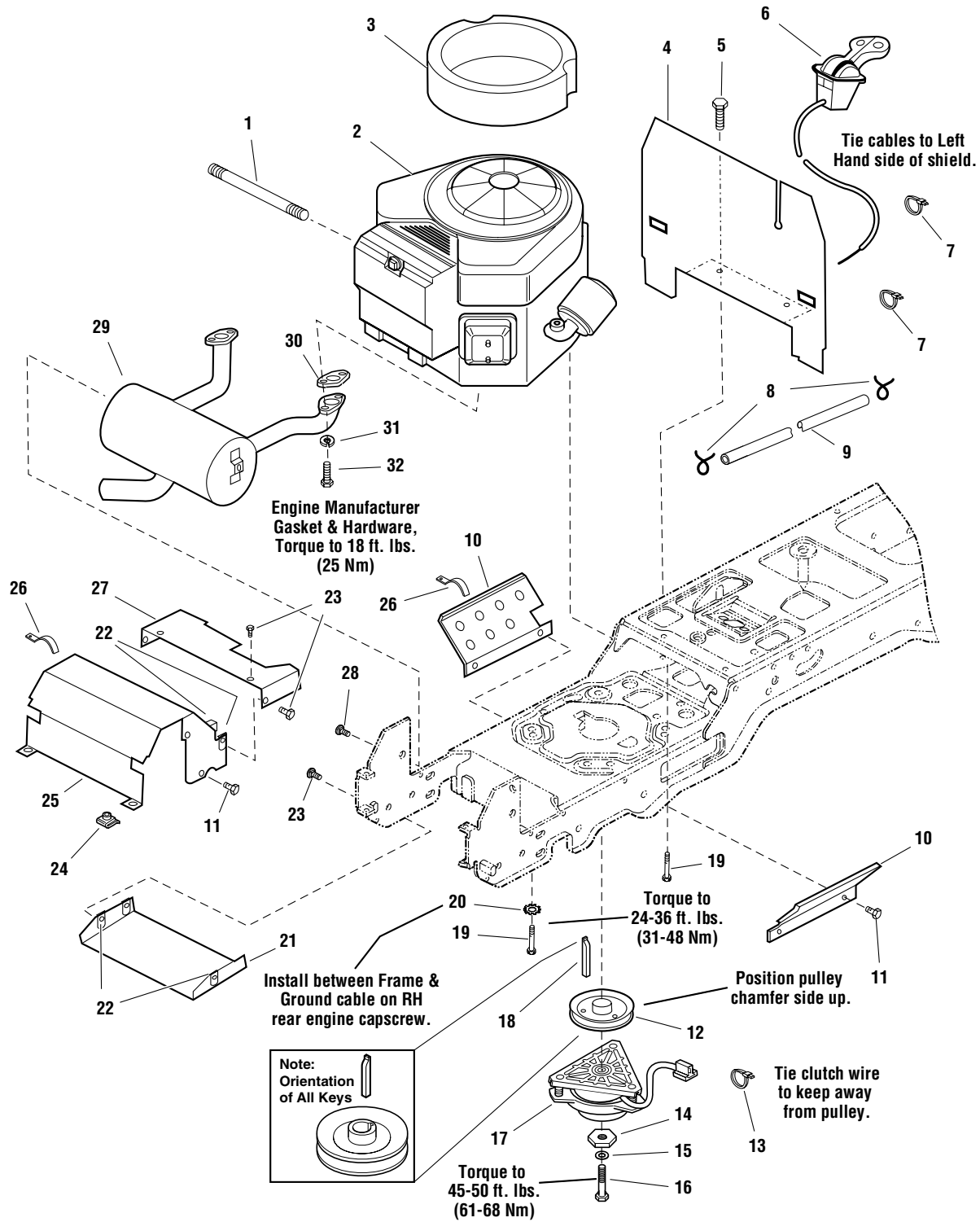
The above parts group applies to the following Mfg. Nos.:

1694629 - Broadmoor	1694635 - 2620H
1694630 - Broadmoor	1694636 - 2620H
1694631 - Broadmoor	1694682 - Broadmoor
1694632 - Broadmoor	1694683 - Broadmoor
1694633 - 1620H	1694807 - 2618
1694634 - 1620H	1694844 - 2618H

Engine & Electric Clutch Group - 16HP & 18HP Briggs & Stratton, Vanguard

986252

NOTE: Unless noted otherwise,
use the standard hardware torque
specification chart.



The above parts group applies to the following Mfg. Nos.:

- 1694630 - Broadmoor
- 1694683 - Broadmoor
- 1694807 - 2618

Engine & Electric Clutch Group - 16HP & 18HP Briggs & Stratton, Vanguard

REF NO	PART NO.	QTY.	DESCRIPTION
1	1723165	1	HOSE, Oil Drain, 10-1/2" Long, 3/8-18 Fittings
2	*	1	ENGINE, 16HP Briggs & Stratton Vanguard Twin, Model 303777, Type 1114-E1
2	*	1	ENGINE, 18HP Briggs & Stratton Vanguard Twin, Model 356777, Type 0113-E1
3	1722950	1	SEAL, Circle, 16HP Only
3	1722949	1	SEAL, Circle, 18HP Only
4	1722388A	1	BULKHEAD
5	1925003	2	CAPSCREW, Hex Washer Head Taptite, 1/2-20 x 1/2, Black
6	1727223	1	CONTROL, Throttle Double 39" Long w/Knobs
7	1701011	2	TIE, Wire, 7-5/16" Long
8	2860112	2	CLAMP, Hose Type E
9	1718678	1	HOSE, Fuel, 59" Long
10	1722392A	2	SHIELD, Side
11	1929000	8	CAPSCREW, Hex Washer Head Taptite, 1/4-20 x 3/8
12	1722288	1	PULLEY & HUB ASSEMBLY
13	2832747	1	TIE, Self Locking, 3-5/8 Long
14	1708264	1	WASHER, Hex, 7/16, Black
15	1918199	1	LOCKWASHER, 7/16
16	1960648	1	CAPSCREW, Hex Head, 7/16-20 x 3-3/4
17	1686880	1	CLUTCH, Electric
18	1720463	1	KEY, HI PRO, 1/4 x 2 1/2
19	2830598	4	CAPSCREW, Hex Washer Head Taptite, 3/8-16 x 1-1/2
20	2820427	1	LOCKWASHER, External Tooth, 3/8
21	1722414A	1	SHIELD, Muffler Bottom
22	1960368	8	NUT, Speed, 1/4-20, Lug
23	1960295	4	CAPSCREW, Hex Flange Whiz Lock, 1/4-20 x 5/8
24	1935255	2	NUT, Speed, 5/16-18, Lug, Black
25	1722389A	1	DUCT, Muffler Top
26	2834683	2	CLIP, Wire 1/8
27	1722390A	1	DUCT, Muffler Extension
28	1924856	2	CAPSCREW, Hex Washer Head Taptite, 5/16-18 x 1/2, Black
29	1722625	1	MUFFLER, Briggs & Stratton, Vanguard Twin
30	*	1	GASKET, Briggs & Stratton, Vanguard Twin
31	1917356	4	LOCKWASHER, 5/16
32	2860660	4	CAPSCREW, Hex Flange Whiz Lock, 5/16-18 x 7/8

Footnotes

* See your local Briggs & Stratton distributor for parts and service.

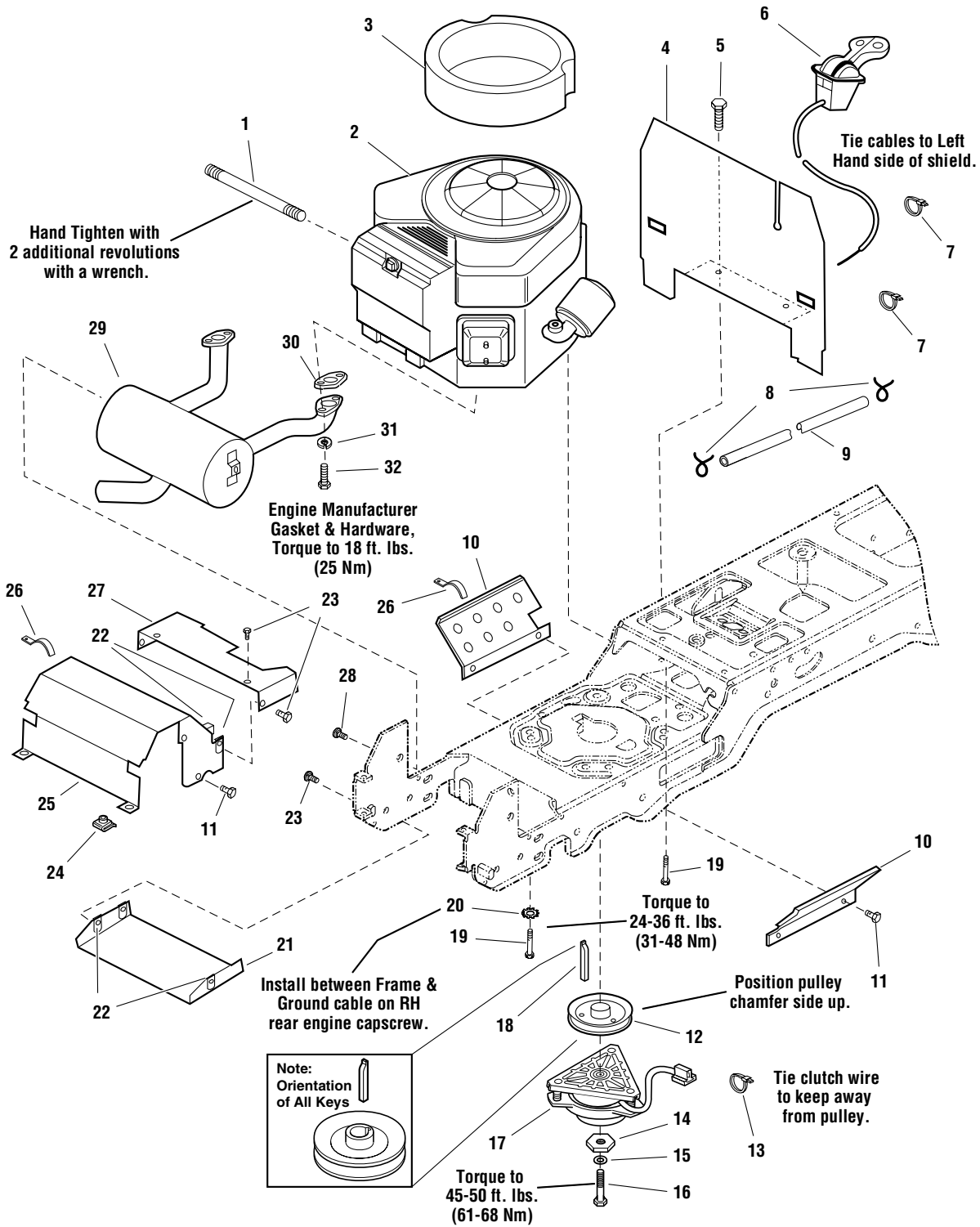
The above parts group applies to the following Mfg. Nos.:

1694630 - Broadmoor
 1694683 - Broadmoor
 1694807 - 2618

Engine & Electric Clutch Group - 18HP & 20HP Briggs & Stratton, Vanguard

986773

NOTE: Unless noted otherwise, use the standard hardware torque specification chart.



The above parts group applies to the following Mfg. Nos.:

- | | |
|---------------------|---------------------|
| 1694631 - Broadmoor | 1694682 - Broadmoor |
| 1694632 - Broadmoor | 1694844 - 2618H |
| 1694633 - 1620H | |
| 1694634 - 1620H | |
| 1694635 - 2620H | |
| 1694636 - 2620H | |

Engine & Electric Clutch Group - 18HP & 20HP Briggs & Stratton, Vanguard

REF NO	PART NO.	QTY.	DESCRIPTION
1	1723165	1	HOSE, Oil Drain, 10-1/2" Long, 3/8-18 Fittings
2	*	1	ENGINE, 18HP Briggs & Stratton Vanguard Twin, Model 356777, Type 0113-E1
2	*	1	ENGINE, 20HP Briggs & Stratton Vanguard Twin, Model 358777, Type 0110-E1
3	1722949	1	SEAL, Circle, 18HP & 20HP
4	1722388A	1	BULKHEAD
5	1925003	2	CAPSCREW, Hex Washer Head Taptite, 1/2-20 x 1/2, Black
6	1727223	1	CONTROL, Throttle Double 39" Long w/Knobs
7	1701011	2	TIE, Wire, 7-5/16" Long
8	2860112	2	CLAMP, Hose Type E
9	1718678	1	HOSE, Fuel, 59" Long
10	1722392A	2	SHIELD, Side
11	1929000	8	CAPSCREW, Hex Washer Head Taptite, 1/4-20 x 3/8
12	1722288	1	PULLEY & HUB ASSEMBLY
13	2832747	1	TIE, Self Locking, 3-5/8 Long
14	1708264	1	WASHER, Hex, 7/16, Black
15	1918199	1	LOCKWASHER, 7/16
16	1960649	1	CAPSCREW, Hex Head, 7/16-20 x 3-1/2, 20HP
16	1960648	1	CAPSCREW, Hex Head, 7/16-20 x 2-3/4, 20HP
17	1686883	1	CLUTCH, Electric, 18HP
17	1686880	1	CLUTCH, Electric, 20HP
18	1720463	1	KEY, HI PRO, 1/4 x 2 1/2
19	2830598	4	CAPSCREW, Hex Washer Head Taptite, 3/8-16 x 1-1/2
20	2820427	1	LOCKWASHER, External Tooth, 3/8
21	1722414A	1	SHIELD, Muffler Bottom
22	1960368	8	NUT, Speed, 1/4-20, Lug
23	1960295	4	CAPSCREW, Hex Flange Whiz Lock, 1/4-20 x 5/8
24	1935255	2	NUT, Speed, 5/16-18, Lug, Black
25	1722389A	1	DUCT, Muffler Top
26	2834683	2	CLIP, Wire 1/8
27	1722390A	1	DUCT, Muffler Extension
28	1924856	2	CAPSCREW, Hex Washer Head Taptite, 5/16-18 x 1/2, Black
29	1722625	1	MUFFLER, Briggs & Stratton, Vanguard Twin
30	*	1	GASKET, Briggs & Stratton, Vanguard Twin
31	1917356	4	LOCKWASHER, 5/16
32	2860660	4	CAPSCREW, Hex Flange Whiz Lock, 5/16-18 x 7/8

Footnotes

* See your local Briggs & Stratton distributor for parts and service.

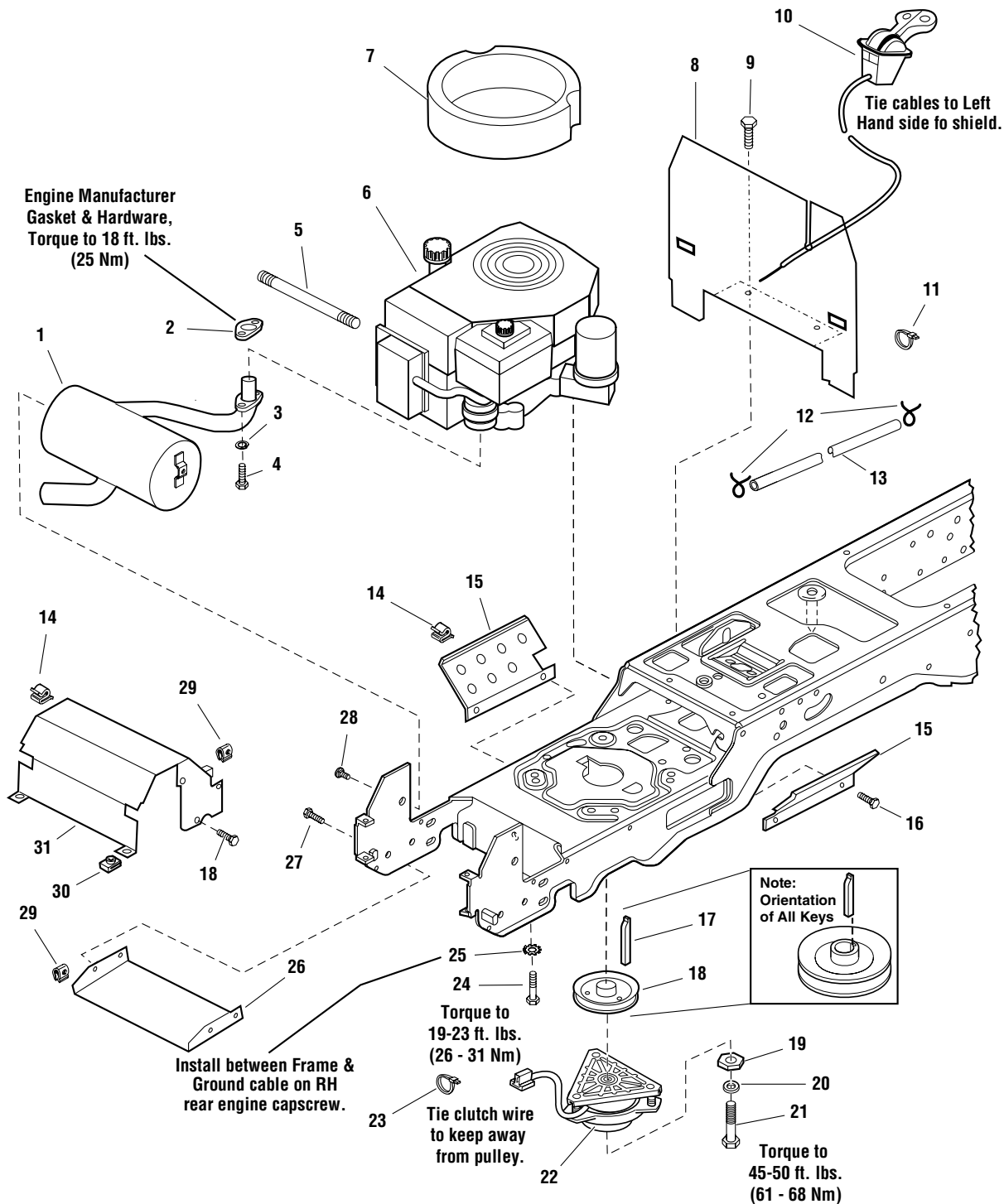
The above parts group applies to the following Mfg. Nos.:

1694631 - Broadmoor
 1694632 - Broadmoor
 1694633 - 1620H
 1694634 - 1620H
 1694635 - 2620H
 1694636 - 2620H

Engine Group - 18HP Kohler

986682

NOTE: Unless noted otherwise, use the standard hardware torque specification chart.



The above parts group applies to the following Mfg. Nos.:

1694629 - Broadmoor

Engine Group - 18HP Kohler

REF NO	PART NO.	QTY.	DESCRIPTION
1	1721704	1	MUFFLER
2	*	1	GASKET
3	*	2	LOCKWASHER, 5/16
4	*	2	CAPSCREW, Socket Head, 5/16-18 x 7/8, G8
5	1723165	1	HOSE, Oil Drain
6	*	1	ENGINE, 18HP Kohler Single, Model CV492S, Type PS-27534
7	1722950	1	SEAL, Circle
8	1722388A	1	BULKHEAD
9	1925003	2	CAPSCREW, Hex Head Taptite, 1/4-20 x 1/2
10	1727223	1	CONTROL, Throttle Double 39" Long w/Knobs
11	2825094	1	TIE, Self Locking
12	2860112	2	CLAMP, Hose Type E
13	1723174	1	HOSE, 59" Long
14	2834683	2	CLIP, Wire
15	1722392A	2	SHIELD
16	1929000	4	SCREW, Hex Head Taptite, 1/4-20 x 3/8
17	1720463	1	KEY
18	1722288	1	PULLEY & HUB ASSEMBLY, 4-1/2 OD
19	1708264	1	WASHER, Hex
20	1918199	1	LOCKWASHER, 7/16
21	1960648	1	CAPSCREW, Hex Head, 7/16-20 x 2-3/4
22	1727664	1	CLUTCH, Electric, OGURA
23	2832747	1	TIE
24	2827187	4	CAPSCREW, Hex Head Taptite, 3/8-16 x 1-1/2
25	2820426	1	LOCKWASHER, External Tooth, 3/8
26	1722414A	1	SHIELD, Muffler Bottom
27	1960295	8	CAPSCREW, Hex Head Flange Lock, 1/4-20 x 5/8
28	1924856	2	CAPSCREW, Hex Head Taptite, 5/16-18 x 1/2
29	1960368	8	NUT, Speed, 1/4-20
30	1935255	2	NUT, Speed, 5/16-18
31	1722389A	1	DUCT, Muffler Top
32	1722487A	1	DUCT, Muffler Extension

Footnotes

* See your local Kohler distributor for parts and service.

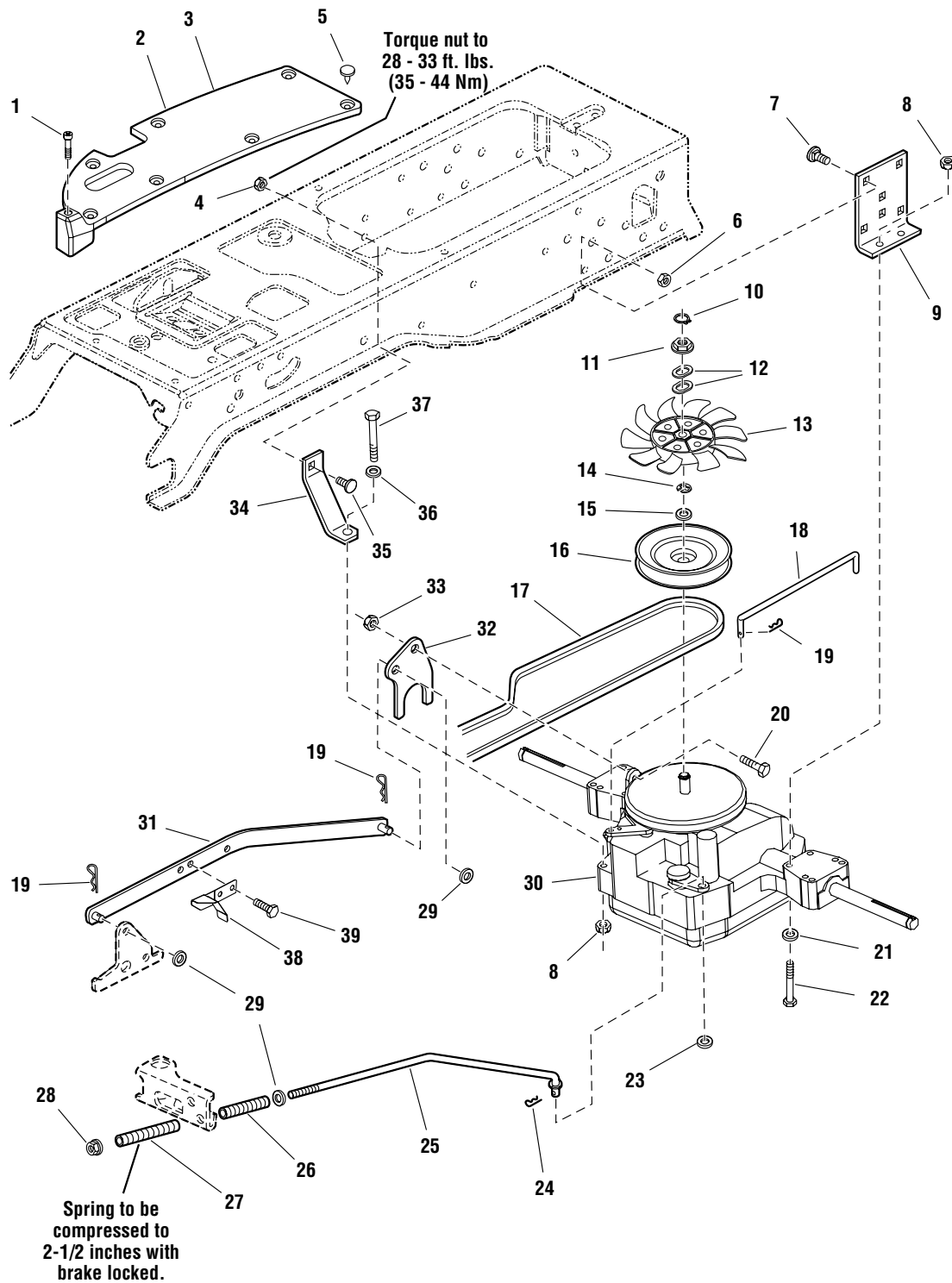
The above parts group applies to the following Mfg. Nos.:

1694629 - Broadmoor

Transmission Group - Tuff Torq K-57

986603

NOTE: Unless noted otherwise,
use the standard hardware torque
specification chart.



The above parts group applies to the following Mfg. Nos.:

- | | |
|---------------------|---------------------|
| 1694629 - Broadmoor | 1694635 - 2620H |
| 1694630 - Broadmoor | 1694636 - 2620H |
| 1694631 - Broadmoor | 1694682 - Broadmoor |
| 1694632 - Broadmoor | 1694683 - Broadmoor |
| 1694633 - 1620H | 1694807 - 2618 |
| 1694634 - 1620H | 1694844 - 2618H |

Transmission Group - Tuff Torq K-57

REF NO	PART NO.	QTY.	DESCRIPTION
1	1960676	2	SCREW, Pan Head Torx Taptite, 1/4-20 x 1-1/4, Black
2	1722345	1	PAD, Footrest, LH, without Differential Lock
3	1722173	1	PAD, Footrest, RH
4	1960636	1	NUT, Hex KEPS, 5/16-18, Black
5	1704351	15	FASTENER, Panel
6	1960637	6	NUT, Hex KEPS, 3/8-16, Black
7	1931350	6	CARRIAGE BOLT, 3/8-16 x 1, Black
8	1960686	5	NUT, Hex Flange ESNA, 5/16-18, Black
9	1721728A	2	SUPPORT, Transmission
10	1724316	1	RING, Snap, Transmission
11	1724312	1	COLLOR, Spline, Transmission
12	1724315	2	LOCK WASHER, Transmission
13	1724314	1	FAN, 10 Blade, Transmission
14	1718076	1	RING, E Transmission
15	1960027	2	WASHER, 1/2
16	1721666	1	PULLEY & HUB ASSEMBLY
17	1726841	1	V-BELT, Drive
18	1726806	1	ROD, Transmission Release
19	1722460	3	PIN, Quick
20	1921332	1	CAPSCREW, Hex Head, 5/16-18 x 2
21	1919326	4	WASHER, 5/16, Black
22	1923141	4	CAPSCREW, Hex Head, 5/16-18 x 2-3/4, Black
23	1918267	1	WASHER, 15/32 x 15/16, Black
24	1918447	1	PIN, Cotter, Black
25	1726871	1	ROD, Brake
26	1722684	1	SPRING, Compression, 3-1/4" Long, Black
27	1729277	1	SPRING, Compression, 3-5/8" Long, Black
28	1960687	1	NUT, Hex Flange ESNA, 3/8-16, Black
29	1924940	3	WASHER, 3/8, Black
30	1722668	1	TRANSMISSION ASSEMBLY, K57, without Pulley
31	1726803	1	CONTROL ARM ASSEMBLY
32	1724423A	1	ARM, Control
33	1960636	2	NUT, KEPS Lock, 5/16-18
34	1721592A	1	STRAP, Torque
35	1931335	1	CARRIAGE BOLT, 5/16-18 x 1, Black
36	1960141	1	WASHER, 5/16, Black
37	1921978	1	CAPSCREW, Hex Head, 5/16-18 x 2, Black
38	1727215A	1	ACTUATOR, Switch
39	1924856	2	CAPSCREW, Hex Head Taptite, 5/16-18 x 1/2

Footnotes

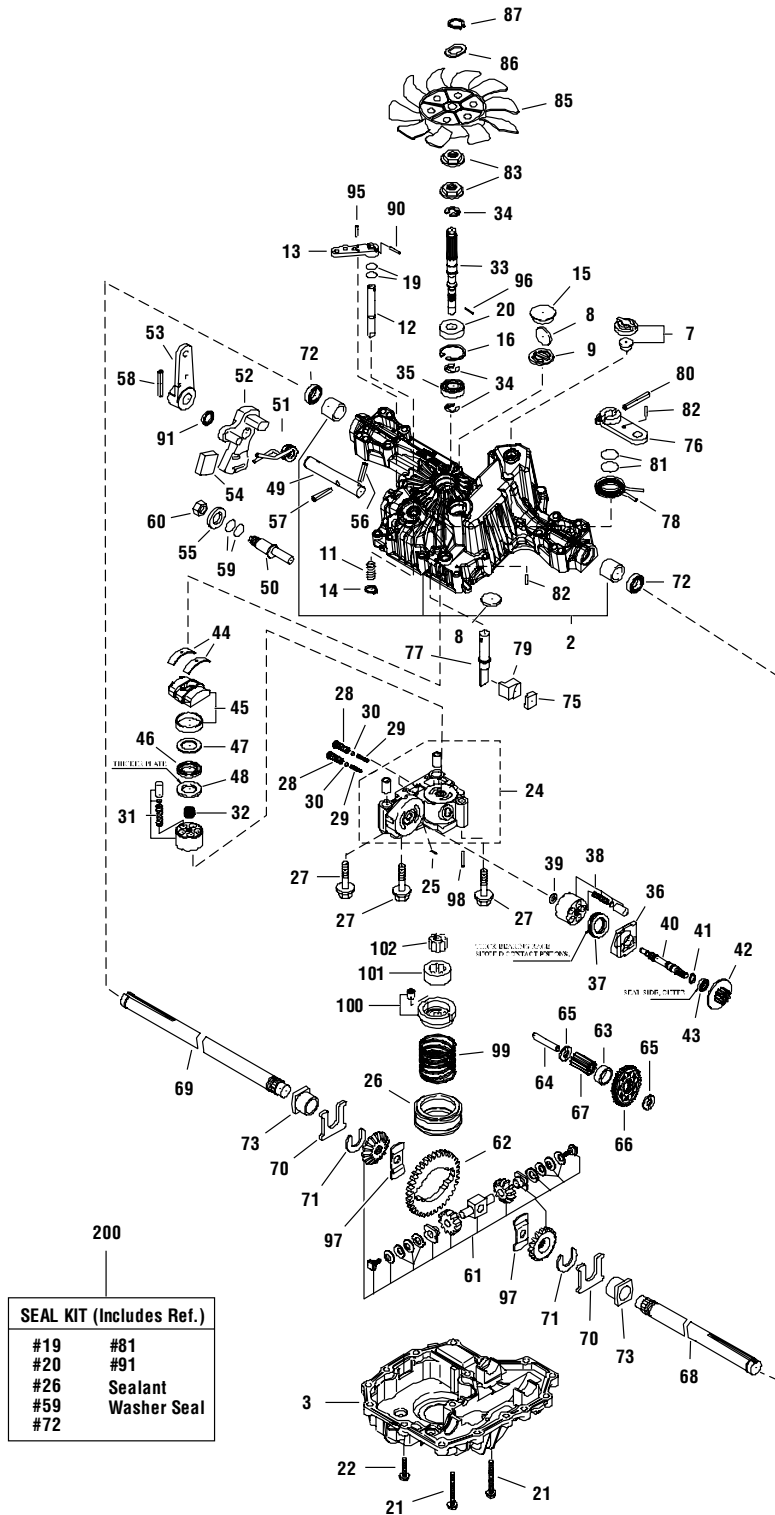
The above parts group applies to the following Mfg. Nos.:

1694629 - Broadmoor	1694635 - 2620H
1694630 - Broadmoor	1694636 - 2620H
1694631 - Broadmoor	1694682 - Broadmoor
1694632 - Broadmoor	1694683 - Broadmoor
1694633 - 1620H	1694807 - 2618
1694634 - 1620H	1694844 - 2618H

Transmission SERVICE PARTS - Tuff Torq K-57A

1722668

NOTE: Unless noted otherwise,
use the standard hardware torque
specification chart.



The above parts group applies to the following Mfg. Nos.:

- | | |
|---------------------|---------------------|
| 1694629 - Broadmoor | 1694635 - 2620H |
| 1694630 - Broadmoor | 1694636 - 2620H |
| 1694631 - Broadmoor | 1694682 - Broadmoor |
| 1694632 - Broadmoor | 1694683 - Broadmoor |
| 1694633 - 1620H | 1694807 - 2618 |
| 1694634 - 1620H | 1694844 - 2618H |

Transmission SERVICE PARTS - Tuff Torq K-57A

REF NO	PART NO.	QTY.	DESCRIPTION
2	1724951	1	HOUSING ASSEMBLY, UPPER
3	1724938	1	HOUSING, LOWER
7	1718052	1	VENT VALVE 15
8	1724279	2	MAGNET, K50
9	1724280	1	HOLDER, MAGNET
11	1708684	1	SPRING
12	1724281	1	SHAFT, BYPASS
13	1720418	1	LEVER, BYPASS
14	1718061	1	RING
15	1724282	1	SEALING CAP
16	1708650	1	RING 35
19	1708691	2	PACKING
20	1724283	1	SEAL TC
21	1707789	14	SCREW, TAPPING
22	1724284	2	SCREW, TAPPING
24	1724939	1	CASE, CENTER
25	1718070	1	PIN 3 x 9.8
26	1724954	1	FILTER
27	1720805	3	BOLT 10 x 75
28	1724286	2	VALVE, IDS 1.0
29	1724287	2	SPRING, IDS
30	1724288	2	BALL, 3/16
31	1724940	1	CYLINDER BLOCK ASSEMBLY
32	1724290	1	SPRING, PUMP
33	1724941	1	SHAFT, PUMP
34	1718076	3	RING E15
35	1708673	1	BEARING
36	1718077	1	HOUSING
37	1724942	1	BEARING, THRUST
38	1724289	1	BLOCK, CYLINDER
39	1718084	1	WASHER 12 x 24 x 1
40	1724943	1	SHAFT, MOTOR
41	1708672	1	RING 15
42	1724944	1	GEAR, MOTOR
43	1718083	1	BEARING 6202UC3
44	1718089	2	THRUST METAL
45	1720426	1	SWASH PLATE ASSEMBLY
46	1718088	1	THRUST PLATE B
47	1718086	1	BEARING K81105
48	1718087	1	THRUST PLATE A
49	1724343	1	SHAFT, CONTROL
50	1724344	1	FULCRUM, ECCENTRIC
51	1724345	1	SPRING, TORSION
52	1724346	1	LEVER, CONTROL
53	1724347	1	ARM, CONTROL

Footnotes

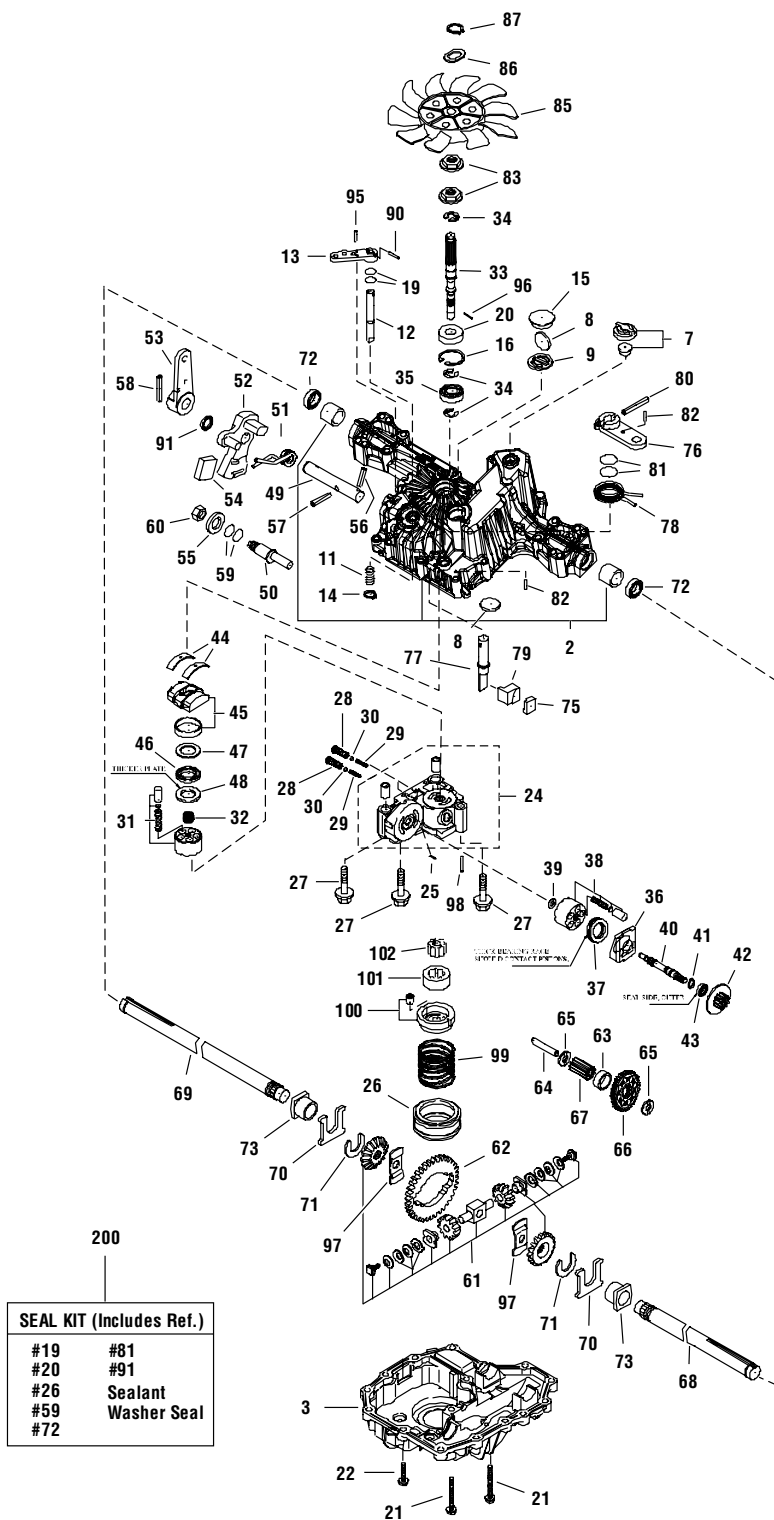
The above parts group applies to the following Mfg. Nos.:

1694629 - Broadmoor	1694635 - 2620H
1694630 - Broadmoor	1694636 - 2620H
1694631 - Broadmoor	1694682 - Broadmoor
1694632 - Broadmoor	1694683 - Broadmoor
1694633 - 1620H	1694807 - 2618
1694634 - 1620H	1694844 - 2618H

Transmission SERVICE PARTS - Tuff Torq K-57A

NOTE: Unless noted otherwise, use the standard hardware torque specification chart.

1722668



The above parts group applies to the following Mfg. Nos.:

- | | |
|---------------------|---------------------|
| 1694629 - Broadmoor | 1694635 - 2620H |
| 1694630 - Broadmoor | 1694636 - 2620H |
| 1694631 - Broadmoor | 1694682 - Broadmoor |
| 1694632 - Broadmoor | 1694683 - Broadmoor |
| 1694633 - 1620H | 1694807 - 2618 |
| 1694634 - 1620H | 1694844 - 2618H |

Transmission SERVICE PARTS - Tuff Torq K-57A

REF NO	PART NO.	QTY.	DESCRIPTION
54	1724348	1	PLATE, JERK
55	1708689	1	WASHER
56	1724349	1	PIN, COTTER
57	1724296	1	PIN, SPRING
59	1707879	2	PACKING
58	1718100	1	PIN 6.0A x 4.0
60	1708692	1	NUT 12
61	1724955	1	GEAR & PINION ASSEMBLY
62	1724945	1	GEAR, FINAL CONTR TRAC
63	1724946	2	COLLAR, PINION
64	1724947	1	SHAFT, REDUCTION
65	1724948	2	WASHER, 12 x 32 x 3.2
66	1724949	1	GEAR, REDUCTION
67	1724950	1	PINION, FINAL
68	1724304	1	SHAFT, AXLE RH
69	1724303	1	SHAFT, AXLE LH
70	1718112	2	WASHER, THRUST
71	1718113	2	RING 17
72	1718111	2	SEAL 19 x 32 x 8
73	1718110	2	BUSHING 19 x 21
75	1724305	1	SHOE, BRAKE
76	1724306	1	ARM, BRAKE
77	1724307	1	SHAFT, BRAKE
78	1724308	1	SPRING, RETURN B
79	1724309	1	BRAKE, ACTUATOR
80	1724310	1	PIN
81	1708690	2	PACKING
82	1724311	2	PIN, SPRING
83	1724312	2	COLLAR, SPLINE
85	1724314	1	FAN
86	1724315	1	LOCKWASHER
87	1724316	1	RING, SNAP
90	1720421	1	PIN 3.0A x 20
91	1724318	1	OIL SEAL
95	1707839	1	PIN, ROLL
97	1724956	2	WASHER, THRUST DIFF
98	1724958	2	PIN, 3.0A x 18
99	1724957	1	SPRING, CHARGE
100	1724953	1	CHARGE PUMP CASE ASSEMBLY
200	1727542	1	K57 SMP SEAL KIT

Footnotes

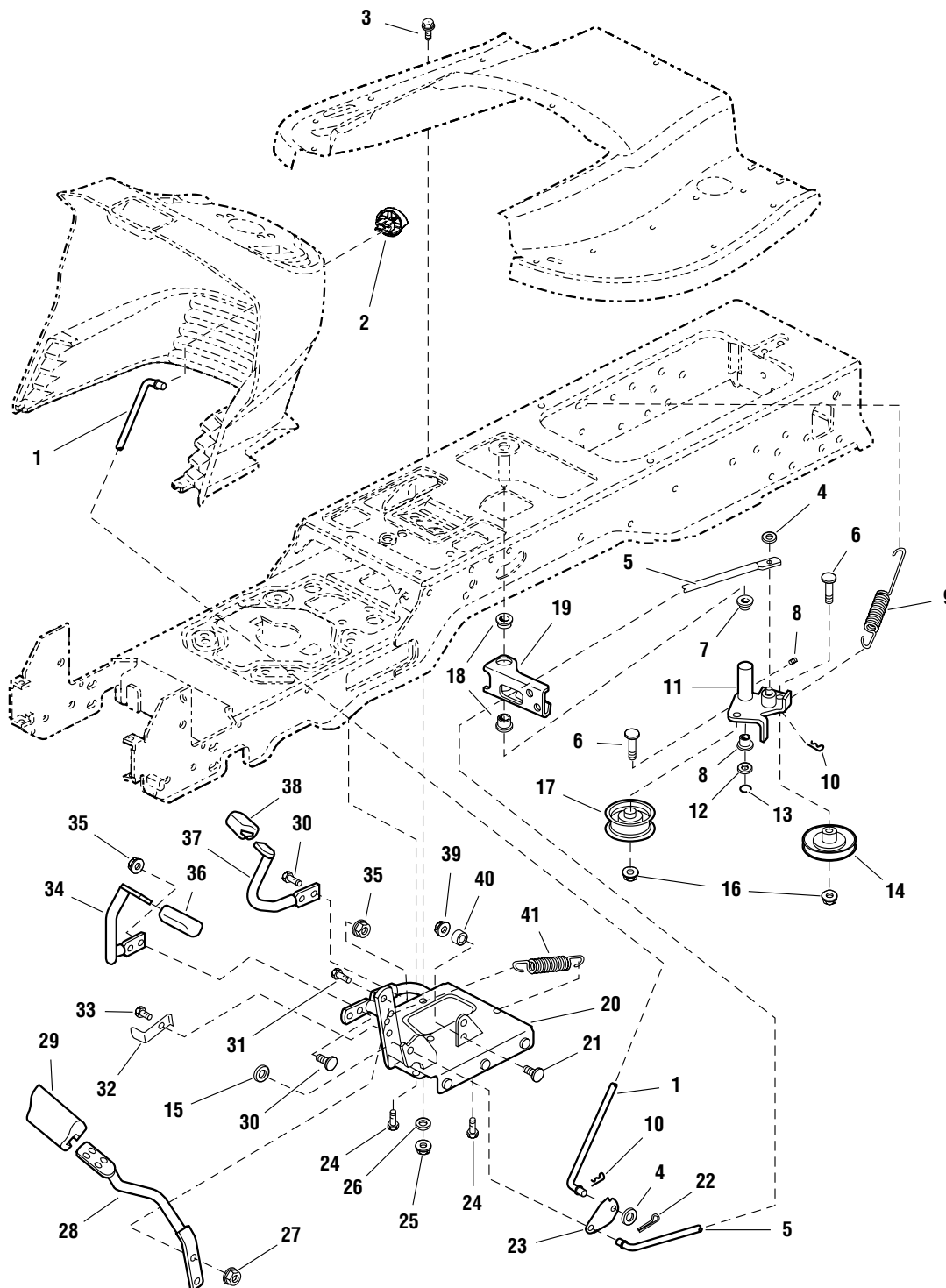
The above parts group applies to the following Mfg. Nos.:

1694629 - Broadmoor	1694635 - 2620H
1694630 - Broadmoor	1694636 - 2620H
1694631 - Broadmoor	1694682 - Broadmoor
1694632 - Broadmoor	1694683 - Broadmoor
1694633 - 1620H	1694807 - 2618
1694634 - 1620H	1694844 - 2618H

Controls Group

986599

NOTE: Unless noted otherwise,
use the standard hardware torque
specification chart.



The above parts group applies to the following Mfg. Nos.:

- | | |
|---------------------|---------------------|
| 1694629 - Broadmoor | 1694635 - 2620H |
| 1694630 - Broadmoor | 1694636 - 2620H |
| 1694631 - Broadmoor | 1694682 - Broadmoor |
| 1694632 - Broadmoor | 1694683 - Broadmoor |
| 1694633 - 1620H | 1694807 - 2618 |
| 1694634 - 1620H | 1694844 - 2618H |

Controls Group

REF NO	PART NO.	QTY.	DESCRIPTION
1	1721353	1	ROD, Brake Lock
2	1721891	1	KNOB, Push On, Red Plastic "P"
3	1930591	1	CAPSCREW, Hex Flange Whiz Lock, 5/16-18 x 3/4
4	1919326	2	WASHER, 5/16, Black
5	1721476	1	ROD, Brake
6	1931353	2	CARRIAGE BOLT, 3/8-16 x 1 3/4
7	1663114	2	BUSHING, 5/8 x 3/4 x 3/4, Nylon
8	2821133	1	FITTING, Lube, 1/4
9	1725250	1	SPRING, Extension
10	1722460	3	PIN, Quick
11	1724917	1	ARM & HUB ASSEMBLY, Idler
12	1960020	1	WASHER, 5/8
13	1704420	1	RING, Clipping Extension
14	1721134	1	PULLEY, w/Bearing
15	1924940	1	WASHER, 3/8
16	1960687	2	NUT, Hex Flange ESNA, 3/8-16
17	1721133	1	PULLEY, Idler
18	1723237	2	BUSHING, 1 x 1-1/8 x 5/8, Nylon
19	1722513	1	ARM, Brake
20	1726763	1	PEDAL ASSEMBLY, Foot
21	1931320	1	CARRIAGE BOLT, 1/4-20 x 1-1/4
22	1918447	1	PIN, Cotter, Black
23	1721354A	1	LATCH, Brake
24	1664847	3	CAPSCREW, Hex Washer Head Taptite, 5/16-18 x 3/4
25	1919438	1	NUT, Hex Lock ESNA Light, 5/16-18
26	1919381	1	WASHER, 5/16, Black
27	1927557	2	NUT, Hex Flange Whiz Lock Large, 5/16-18
28	1722535A	1	PEDAL, Brake
29	1721577	1	PAD, Brake Pedal
30	1931334	4	CARRIAGE BOLT, 5/16-18 x 7/8
31	1921333	2	CAPSCREW, 5/16-18 x 1
32	1722083A	1	ACTUATOR, Switch 2.53" Long
33	1923683	1	CAPSCREW, Hex Washer Head Taptite, 3/8-16 x 3/4
34	1722070A	1	PEDAL, Forward
35	1960636	4	NUT, Hex KEPS, 5/16-18
36	1721675	1	PAD, Foot Pedal Forward
37	1722071A	1	PEDAL, Reverse
38	1721674	1	PAD, Foot Pedal Reverse
39	1920397	1	NUT, Hex Lock ESNA Light, 1/4-20
40	1686612	1	CAM, Roller
41	1721995	1	SPRING, Extension

Footnotes

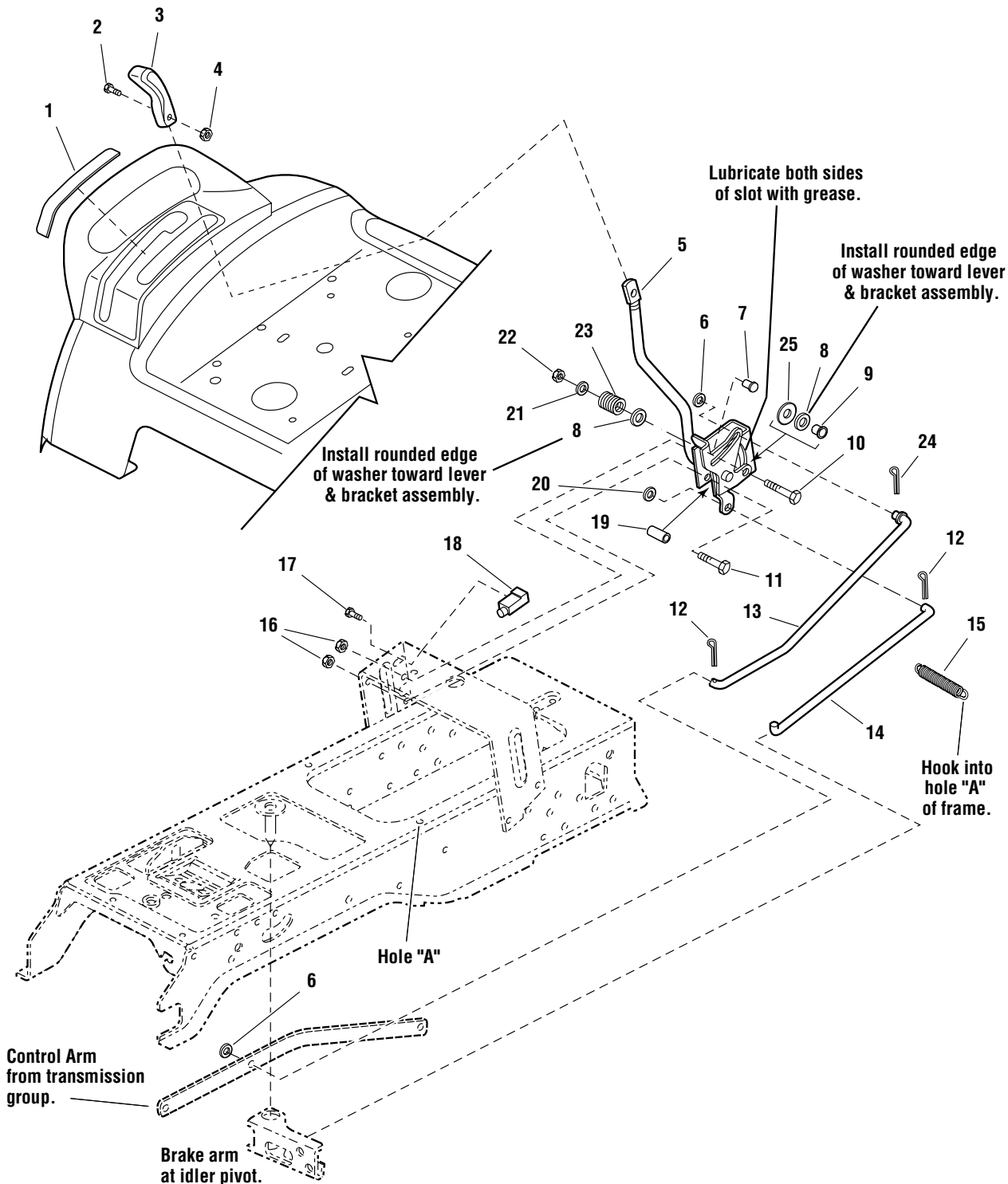
The above parts group applies to the following Mfg. Nos.:

1694629 - Broadmoor	1694635 - 2620H
1694630 - Broadmoor	1694636 - 2620H
1694631 - Broadmoor	1694682 - Broadmoor
1694632 - Broadmoor	1694683 - Broadmoor
1694633 - 1620H	1694807 - 2618
1694634 - 1620H	1694844 - 2618H

Cruise Control Group

986190

NOTE: Unless noted otherwise, use the standard hardware torque specification chart.



The above parts group applies to the following Mfg. Nos.:

- 1694630 - Broadmoor
- 1694632 - Broadmoor
- 1694633 - 1620H
- 1694634 - 1620H
- 1694635 - 2620H
- 1694636 - 2620H
- 1694682 - Broadmoor

Cruise Control Group

REF NO	PART NO.	QTY.	DESCRIPTION
1	1723713	1	DECAL, Cruise & Lift
2	1960666	1	SCREW, Torque Head Plus Socket Head, 1/4-20 x 7/8
3	1722303	1	KNOB, Cruise
4	1920397	1	NUT, Hex Lock ESNA Light, 1/4-20
5	1722003	1	LEVER & BRACKET ASSEMBLY, Cruise
6	1960103	2	WASHER, 3/8, Black
7	1931333	1	CARRIAGE BOLT, 5/16-18 x 3/4
8	2826192	2	WASHER, 9/16 x 1-1/4 x 1/8
9	1709043	1	SPACER, w/Flange, 11/32 x 15/32 x 3/4
10	1931342	1	CARRIAGE BOLT, 5/16-18 x 2 3/4
11	1960273	1	CARRIAGE BOLT, 5/16-18 x 2-1/4
12	1722460	2	PIN, Quick
13	1722117	1	ROD, Cruise
14	1722481	1	ROD, Return
15	2159106	1	SPRING, Cruise Return to Frame
16	1960636	2	NUT, Hex KEPS, 5/16-18
17	1960001	2	CAPSCREW, Hex Washer Head Plastite, 10-14 x 5/8
18	1717050	1	SWITCH, Push, Neutral Start, Gray
19	1722080	1	SPACER, 11/32 x 5/8 x 1-13/32
20	1919326	1	WASHER, 5/16, Black
21	1919381	1	WASHER, 5/16, Black
22	1919438	1	NUT, Hex Lock ESNA Light, 5/16-18
23	1677746	1	SPRING, Compression
24	1918447	1	PIN, Cotter
25	1705928	1	DISC, Friction

Footnotes

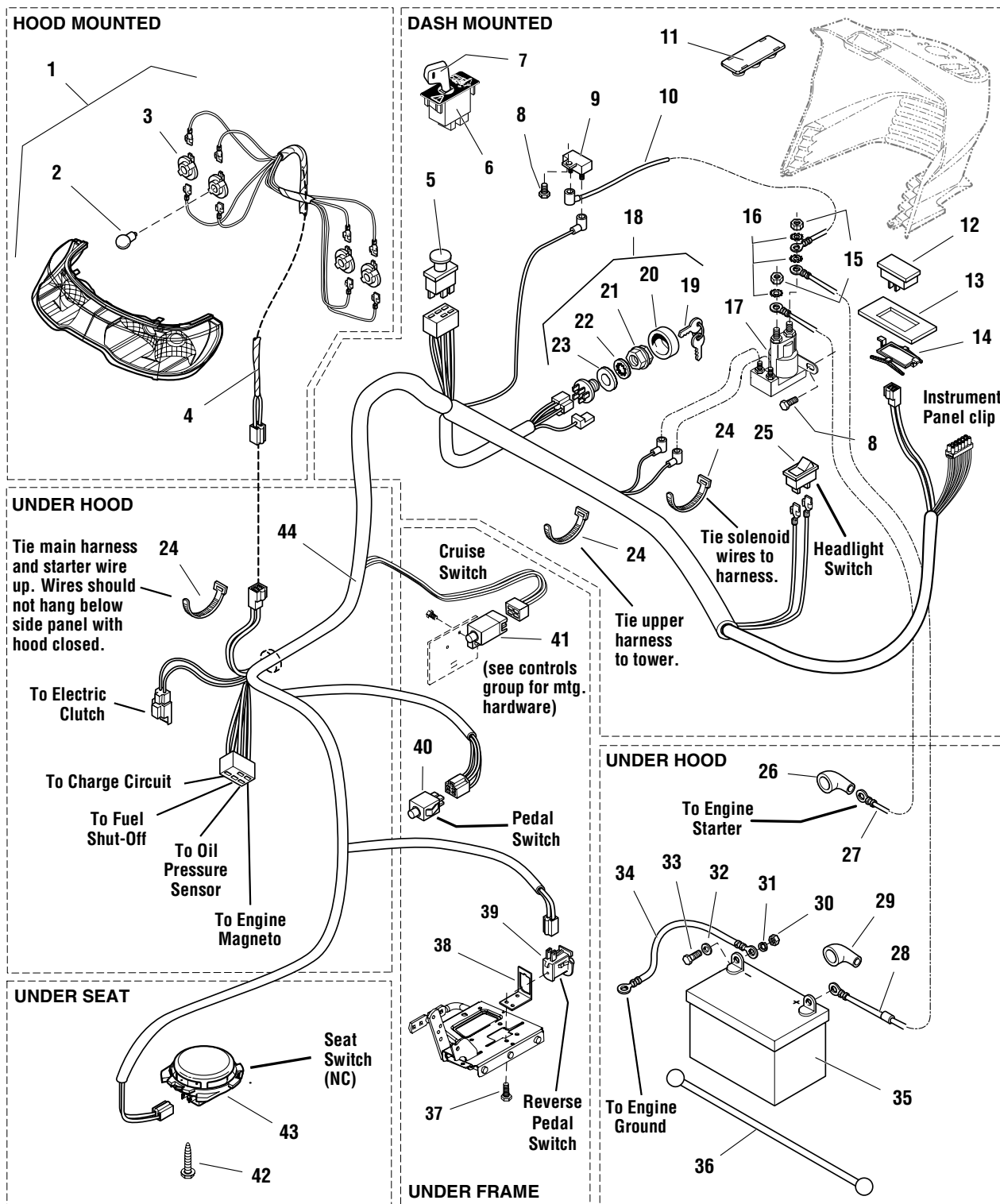
The above parts group applies to the following Mfg. Nos.:

1694630 - Broadmoor 1694682 - Broadmoor
1694632 - Broadmoor
1694633 - 1620H
1694634 - 1620H
1694635 - 2620H
1694636 - 2620H

Electrical Group

986604

NOTE: Unless noted otherwise, use the standard hardware torque specification chart.



The above parts group applies to the following Mfg. Nos.:

- | | |
|---------------------|---------------------|
| 1694629 - Broadmoor | 1694635 - 2620H |
| 1694630 - Broadmoor | 1694636 - 2620H |
| 1694631 - Broadmoor | 1694682 - Broadmoor |
| 1694632 - Broadmoor | 1694683 - Broadmoor |
| 1694633 - 1620H | 1694807 - 2618 |
| 1694634 - 1620H | 1694844 - 2618H |

Electrical Group

REF NO	PART NO.	QTY.	DESCRIPTION
1	1721810	1	HEADLIGHT ASSEMBLY, 4 Bulb, (Includes Ref. Nos. 2 & 3)
2	1677371	4	BULB, Headlight, 12.8V
3	1723451	4	SOCKET ASSEMBLY, Headlight, Sealed
4	1722669	1	HARNESS, Headlight
5	1722887	1	SWITCH, PTO Push/Pull Symbols
6	1726556	1	MODULE, RMO (Includes Ref. No. 7)
7	1726557	1	KEY, RMO Module Plastic
8	1925003	2	CAPSCREW, Hex Washer Head Taptite, 1/4-20 x 1/2, Black
9	1665238	1	BREAKER, Circuit, 12 Volt 20 Amps
10	1665237	1	WIRE, 12GA 5-15/16 Long, Red
11	1722611	1	PLUG, Hole, Square
12	1725523	1	HOUR METER, (Includes Ref. Nos. 12)
13	1725524	1	PLUG, Dash
14	1725835	1	CLIP, Hour Meter (Service Only)
15	1920263	2	NUT, Hex, 5/16-24
16	2820426	3	LOCKWASHER, External Tooth, 5/16
17	1722739	1	SOLENOID
18	1686734	1	SWITCH ASSEMBLY, Ignition, 6 Pin, (Includes Ref. Nos. 17, 18, 19, 20 & 21)
19	1717163	1	KEYS, Set of 2
20	1717550	1	COVER, For Ignition Switch, Plastic
21	1717549	1	NUT, Hex Flange, 5/8-32, Ignition Switch
22	1960547	1	LOCKWASHER, Internal Tooth, 5/8, Thin
23	2101025	1	WASHER, Shim
24	1701011	3	TIE, Strap, 7-5/16 Long
25	1716951	1	SWITCH, Headlights , 2 Terminal
26	1713535	1	BOOT, Insulator Cable Terminal, 1-15/16 Long, Red
27	1721830	1	CABLE, #6 x 25" Long, Ring Terminals
28	1603618	1	CABLE, #6 x 8" Long, Ring Terminals
29	1677296	1	BOOT, Insulator Battery Terminal
30	2816622	3	NUT, Hex, 1/4-20
31	2816964	2	LOCKWASHER, 1/4
32	2821319	2	WASHER, 1/4
33	2823341	2	CAPSCREW, Hex Head, 1/4-20 x 3/4
34	1713163	1	CABLE, #6 x 26 Long, Ring Terminal
35	1685215	1	BATTERY, 12 Volt
36	1722009	1	STRAP, Battery, 14 Long, Rubber
37	1929000	2	CAPSCREW, Hex Head Taptite, 1/4-20 x 3/8
38	1726810A	1	BRACKET, Switch Mount
39	1704379	1	SWITCH, Reverse Pedal
40	1723249	1	SWITCH, Push Button, Foot Pedal
41	1717050	1	SWITCH, Cruise Control, Grey, NO
42	1960536	2	CAPSCREW, Hex Washer Head Plastite, 1/4 x 1/2
43	1716368	1	SWITCH, Seat, Grey, NC
44	1726604	1	HARNESS, Wiring

Footnotes

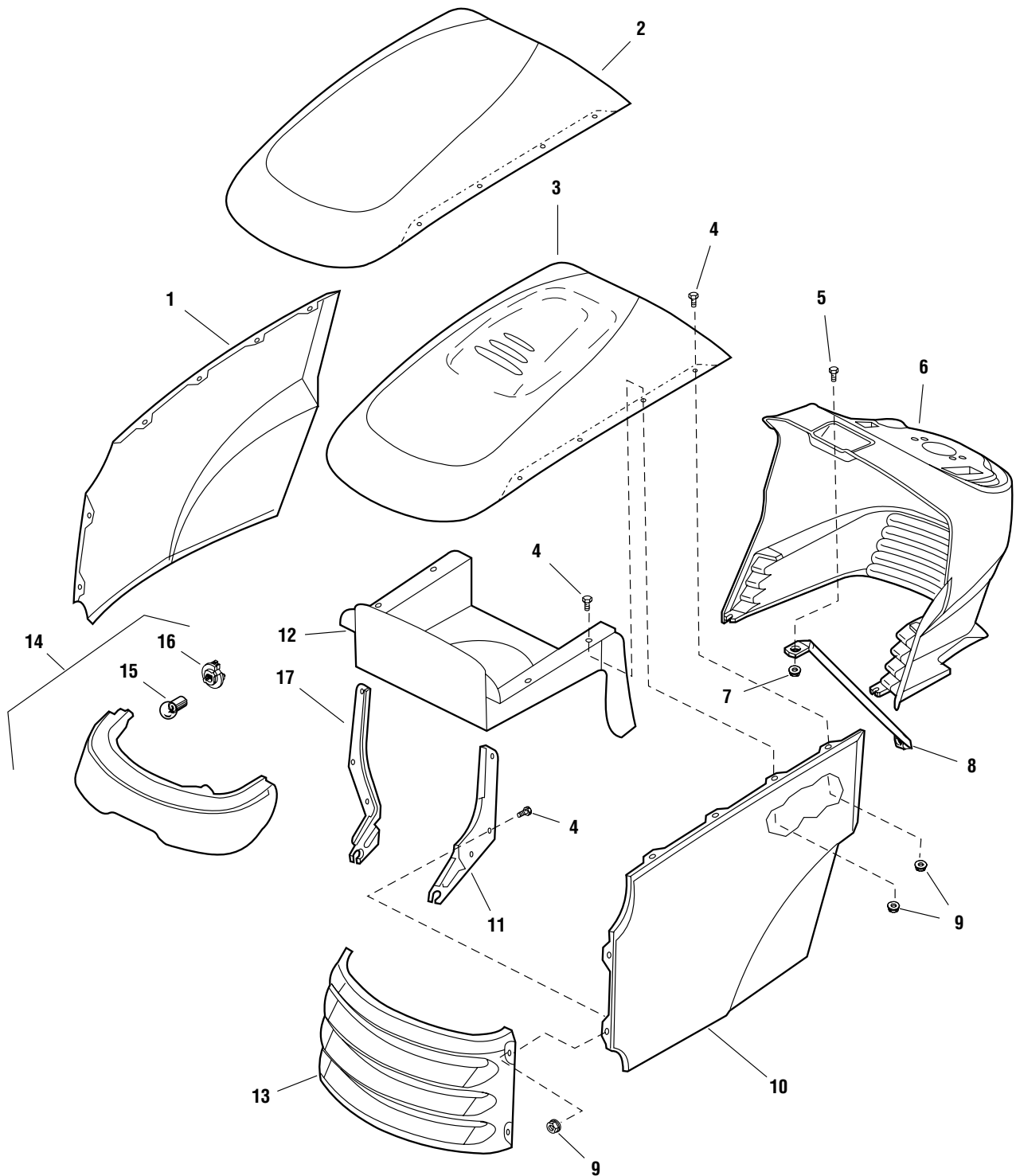
The above parts group applies to the following Mfg. Nos.:

1694629 - Broadmoor	1694635 - 2620H
1694630 - Broadmoor	1694636 - 2620H
1694631 - Broadmoor	1694682 - Broadmoor
1694632 - Broadmoor	1694683 - Broadmoor
1694633 - 1620H	1694807 - 2618
1694634 - 1620H	1694844 - 2618H

Hood, Grille & Dash Group

986608

NOTE: Unless noted otherwise,
use the standard hardware torque
specification chart.



The above parts group applies to the following Mfg. Nos.:

1694629 - Broadmoor	1694635 - 2620H
1694630 - Broadmoor	1694636 - 2620H
1694631 - Broadmoor	1694682 - Broadmoor
1694632 - Broadmoor	1694683 - Broadmoor
1694633 - 1620H	1694807 - 2618
1694634 - 1620H	1694844 - 2618H

Hood, Grille & Dash Group

REF NO	PART NO.	QTY.	DESCRIPTION
1	1721804C	1	PANEL, RH Side
1	1721804D	1	PANEL, RH Side, Red
2	1721801C	1	HOOD, no Louvers
2	1721801D	1	HOOD, no Louvers, Red
3	1722110C	1	HOOD, with Louvers
3	1722110D	1	HOOD, with Louvers, Red
4	1960295	12	CAPSCREW, Hex Head Flange Lock, 1/4-20 x 5/8
5	1960392	1	SCREW, Phillips Head, #10-24 x 1/2
6	1687054	1	DASHBOARD, RMO, Black
6	1687055	1	DASHBOARD, RMO with Hydra Lift Slot, Black
7	1933896	1	NUT, Hex Nylock, #10-24
8	1723123	1	ROD, Dash Support
9	1930641	12	NUT, Hex Flange Lock, 1/4-20
10	1721803C	1	PANEL, LH Side
10	1721803D	1	PANEL, LH Side, Red
11	1721808A	1	HINGE, LH
12	1722391A	1	DUCT, Air Inlet
13	1721802C	1	GRILLE
13	1721802D	1	GRILLE, Red
14	1721810	1	HEADLIGHT ASSEMBLY, (Includes Ref. Nos. 15 & 16)
15	1677371	4	BULB, Headligh
16	1723451	4	SOCKET, Headlight
17	1721809A	1	HINGE, RH

Footnotes

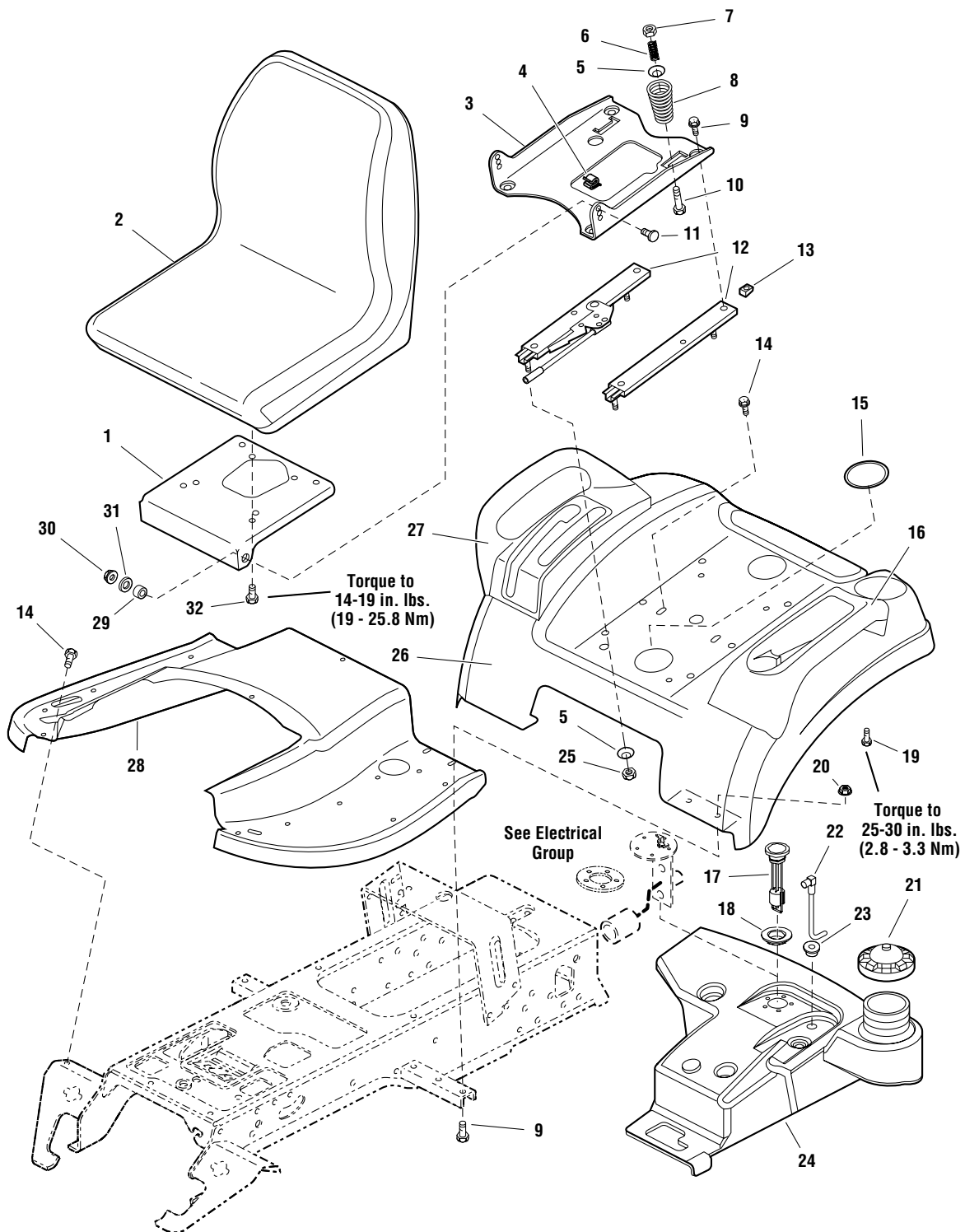
The above parts group applies to the following Mfg. Nos.:

1694629 - Broadmoor	1694635 - 2620H
1694630 - Broadmoor	1694636 - 2620H
1694631 - Broadmoor	1694682 - Broadmoor
1694632 - Broadmoor	1694683 - Broadmoor
1694633 - 1620H	1694807 - 2618
1694634 - 1620H	1694844 - 2618H

Seat & Seat Deck Group

985908

NOTE: Unless noted otherwise, use the standard hardware torque specification chart.



The above parts group applies to the following Mfg. Nos.:

- | | |
|---------------------|---------------------|
| 1694629 - Broadmoor | 1694635 - 2620H |
| 1694630 - Broadmoor | 1694636 - 2620H |
| 1694631 - Broadmoor | 1694682 - Broadmoor |
| 1694632 - Broadmoor | 1694683 - Broadmoor |
| 1694633 - 1620H | 1694807 - 2618 |
| 1694634 - 1620H | 1694844 - 2618H |

Seat & Seat Deck Group

REF NO	PART NO.	QTY.	DESCRIPTION
1	1722129A	1	BRACKET, 1-5/8 x 1-3/4
2	1722307	1	* SEAT, 18" Back, Optional
2	1722306	1	* SEAT, 15" Back, Standard
3	1722128A	1	SUPPORT, Seat
4	2172434	1	CLIP, Wire
5	1709256A	2	WASHER, Spring, 5/16 x 1-1/4, Black
6	1714263	2	SPRING, Compression
7	1919438	10	NUT, Hex Lock, ESNA Light 5/16-18
8	1717051	2	SPRING, Compression
9	1930591	8	CAPSCREW, Hex Flange Whiz Lock, 5/16-18 x 3/4
10	1931339	2	CARRIAGE BOLT, 5/16-18 x 2
11	1931350	2	CARRIAGE BOLT, 3/8-16 x 1
12	1722356	1	SLIDE, Seat
13	1935255	4	NUT, Speed, 5/16-18, Lug
14	1930601	4	CAPSCREW, Hex Washer Head Taptite, 5/16-18 x 5/8
15	1722309	2	PLUG, Plastic
16	1722109	1	POD, with Cup Holder, LH
17	1722300	1	FUEL GAUGE
18	1722337	1	GROMMET
19	2860664	8	CAPSCREW, Hex Head Dog Point, 1/4-20 x 7/8
20	1931277	4	NUT, Hex Flange Whiz Lock, 5/16-18
21	1715917	1	CAP, Gas
22	1722340	1	TUBE & ELBOW ASSEMBLY
23	1654930	1	BUSHING, 3/8 x 9/16 x 5/8, Rubber
24	1722432	1	TANK, Fuel
25	1960636	8	NUT, Hex KEPS, 5/16-18
26	1722106C	1	DECK, Seat, Orange
26	1722106D	1	DECK, Seat, Red
27	1722108	1	POD, RH with 2 Slots
28	1722105C	1	TUNNEL, Orange
28	1722105D	1	TUNNEL, Red
29	1663752	2	SPACER, 25/64 x 5/8 x 3/16, Hardened
30	1930645	2	NUT, Hex Flange Two-Way Lock, 3/8-16
31	1924940	2	WASHER, 3/8
32	1960667	4	CAPSCREW, Hex Flange Whiz Lock Dog Point, 5/16-18 x 1

Footnotes

* Arm Rest Kit - 1686907

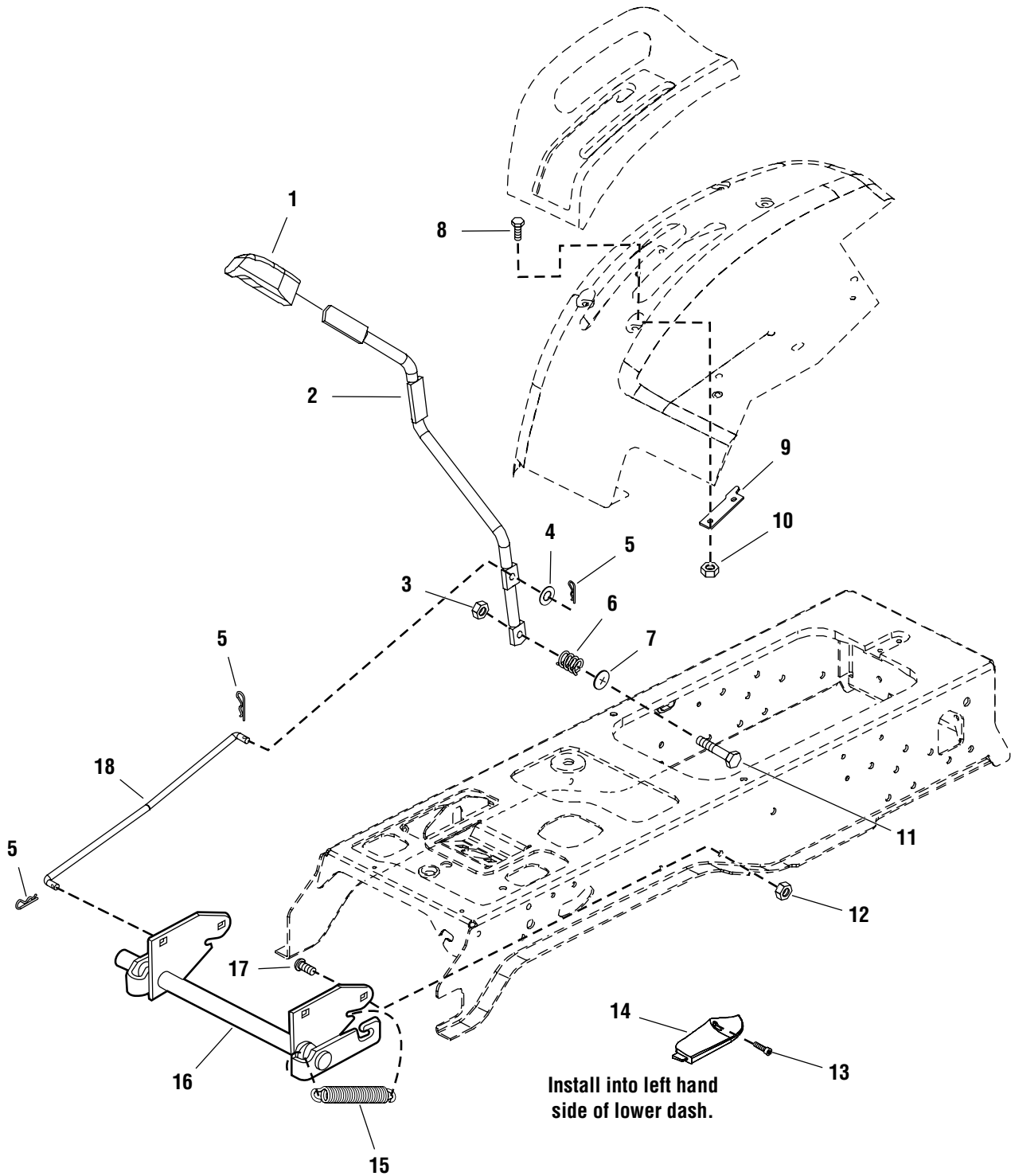
The above parts group applies to the following Mfg. Nos.:

1694629 - Broadmoor	1694635 - 2620H
1694630 - Broadmoor	1694636 - 2620H
1694631 - Broadmoor	1694682 - Broadmoor
1694632 - Broadmoor	1694683 - Broadmoor
1694633 - 1620H	1694807 - 2618
1694634 - 1620H	1694844 - 2618H

Lift Group - Manual Lift

986412

NOTE: Unless noted otherwise,
use the standard hardware torque
specification chart.



The above parts group applies to the following Mfg. Nos.:

1694632 - Broadmoor

1694634 - 1620H

1694636 - 2620H

Lift Group - Manual Lift

REF NO	PART NO.	QTY.	DESCRIPTION
1	1722302	1	GRIP, Black Vinyl
2	1722024A	1	ROD, Lift Lever with Flats
3	1930645	1	NUT, Hex Flange Lock, 3/8-16
4	1924940	1	WASHER
5	1722460	2	PIN, Quick
6	2162085	1	SPRING, Compression
7	1723866	1	NUT, Push, 3/8
8	1923341	2	CAPSCREW, Hex Head, 1/4-20 x 3/4
9	1722284A	1	QUADRANT
10	1920397	2	NUT, Hex Lock ESNA, 1/4-20
11	1923701	1	CAPSCREW, Hex Head, 3/8-16 x 2
12	1960636	4	NUT, KEPS Lock, 5/16-18
13	1722607	1	SCREW, Torx Head, # 8-16 x 1/2
14	1722285	1	COVER, Dash
15	2156302	1	SPRING, Extension, 4-1/8
16	1725639	1	LIFT SHAFT ASSEMBLY,
17	1931333	4	CARIAGE BOLT, 5/16-18 x 3/4
18	1725638	1	ROD, Lift

Footnotes

The above parts group applies to the following Mfg. Nos.:

1694632 - Broadmoor

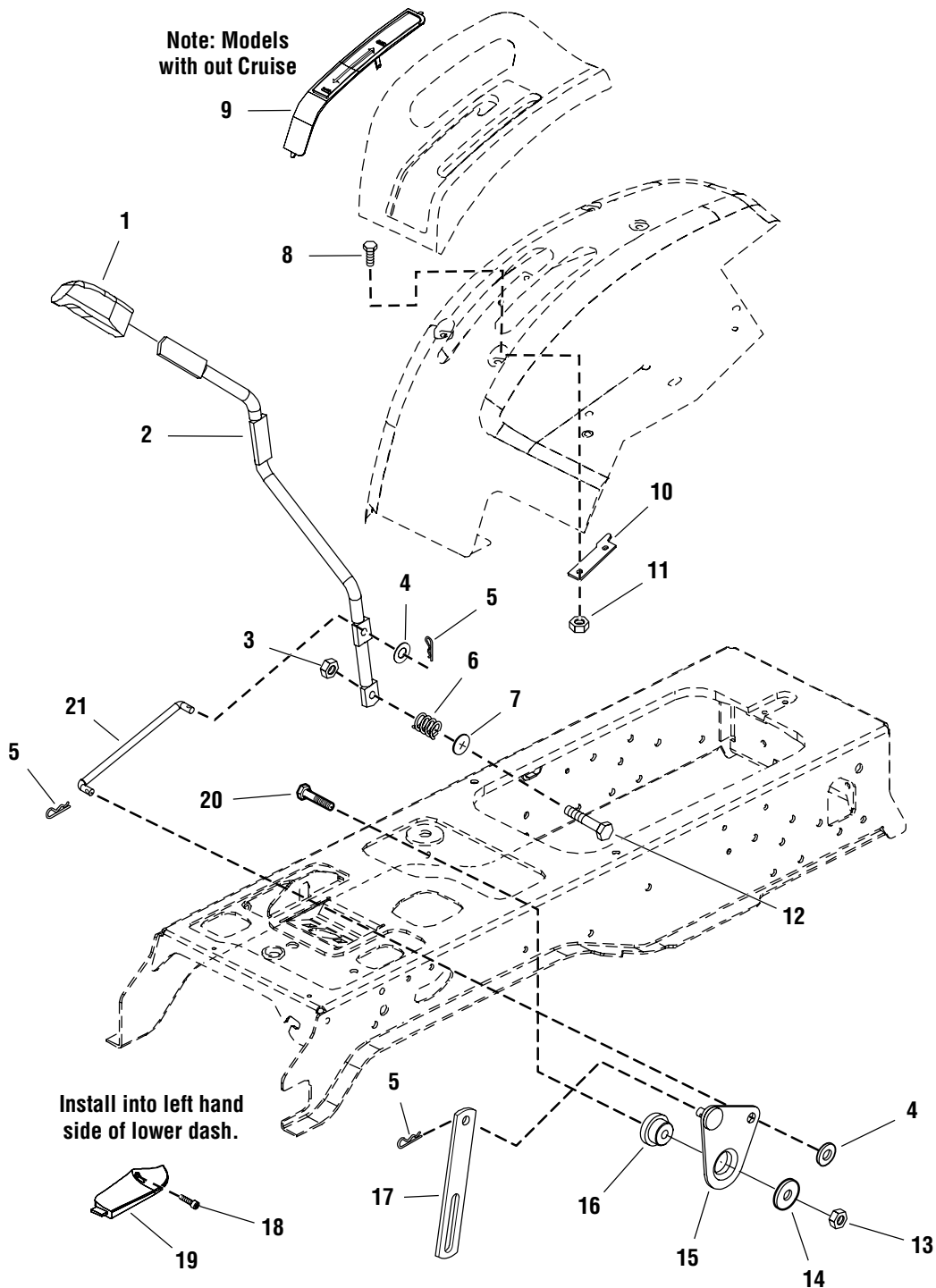
1694634 - 1620H

1694636 - 2620H

Lift Group - Manual Lift

986780

NOTE: Unless noted otherwise, use the standard hardware torque specification chart.



The above parts group applies to the following Mfg. Nos.:

- | | |
|---------------------|---------------------|
| 1694629 - Broadmoor | 1694683 - Broadmoor |
| 1694630 - Broadmoor | 1694807 - 2618 |
| 1694631 - Broadmoor | 1694844 - 2618H |
| 1694633 - 1620H | |
| 1694635 - 2620H | |
| 1694682 - Broadmoor | |

Lift Group - Manual Lift

REF NO	PART NO.	QTY.	DESCRIPTION
1	1722302	1	GRIP, Black Vinyl
2	1722024A	1	ROD, Lift Lever with Flats
3	1930645	1	NUT, Hex Flange Lock, 3/8-16
4	1924940	1	WASHER
5	1722460	2	PIN, Quick
6	2162085	1	SPRING, Compression
7	1723866	1	NUT, Push, 3/8
8	1923341	2	CAPSCREW, Hex Head, 1/4-20 x 3/4
9	1722313	1	PLUG, Lift Cover (Models without Cruise Control)
10	1722284A	1	QUADRANT
11	1920397	2	NUT, Hex Lock ESNA, 1/4-20
12	1923701	1	CAPSCREW, Hex Head, 3/8-16 x 2
13	1919438	4	NUT, ESNA Lock, 5/16-18
14	1960044	1	WASHER, Flat, 5/16 x 1-1/4
15	1722491	1	CAM ASSEMBLY, Lift
16	1704629	1	SPACER
17	1727083A	1	LINK, Lift Upper
18	1722607	1	SCREW, Torx Head, # 8-16 x 1/2
19	1722285	1	COVER, Dash
20	1921977	4	CAPSCREW, Hex Head, 5/16-18 x 1-1/4
21	1721789	1	ROD, Lift

Footnotes

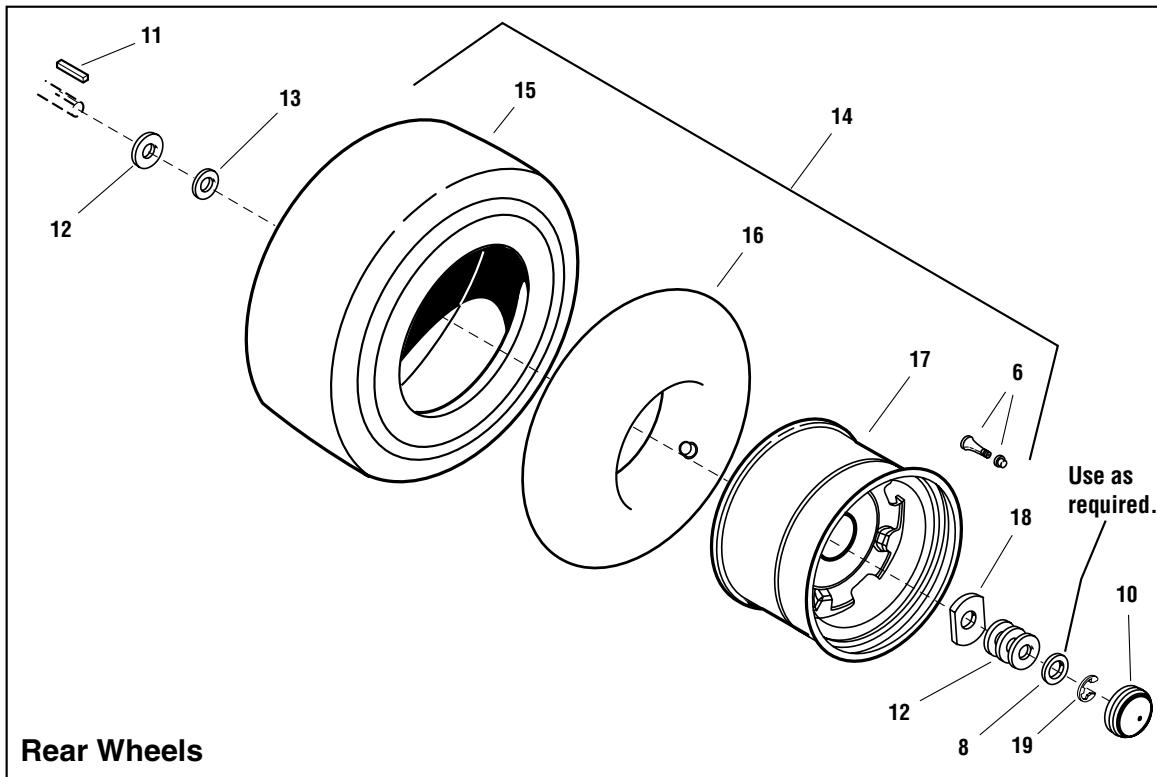
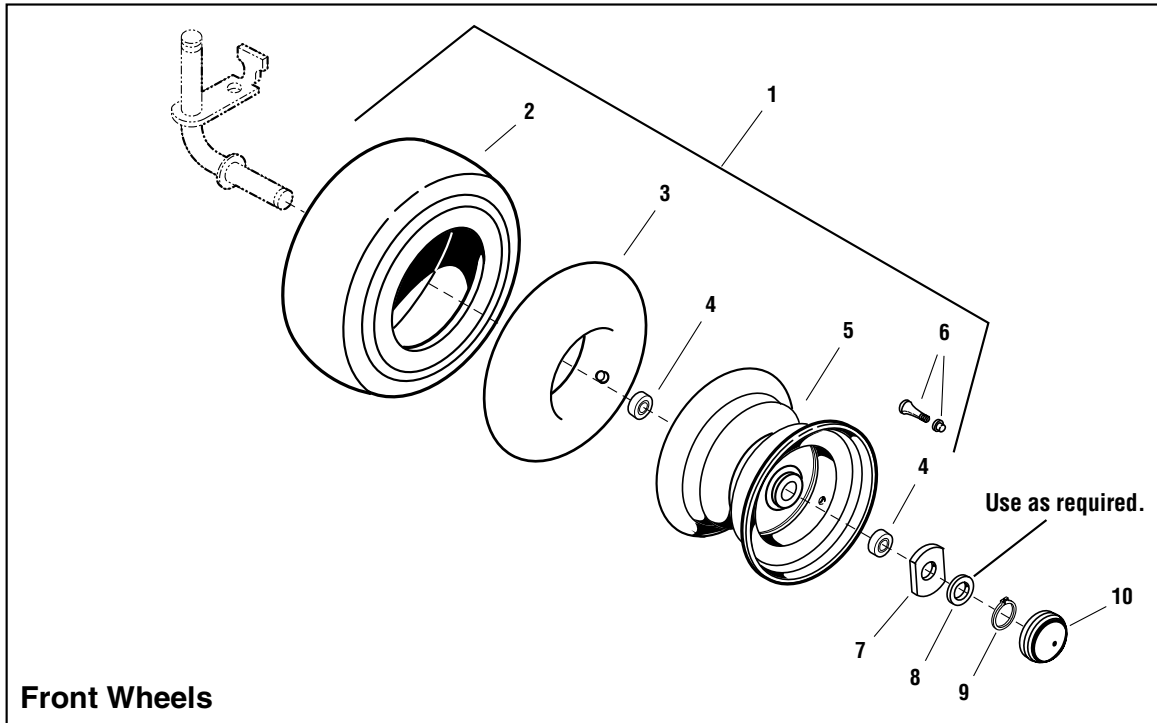
The above parts group applies to the following Mfg. Nos.:

1694629 - Broadmoor 1694683 - Broadmoor
1694630 - Broadmoor 1694807 - 2618
1694631 - Broadmoor 1694844 - 2618H
1694633 - 1620H
1694635 - 2620H
1694682 - Broadmoor

Wheels & Tires Group

W986614

NOTE: Unless noted otherwise,
use the standard hardware torque
specification chart.



The above parts group applies to the following Mfg. Nos.:

1694629 - Broadmoor	1694635 - 2620H
1694630 - Broadmoor	1694636 - 2620H
1694631 - Broadmoor	1694682 - Broadmoor
1694632 - Broadmoor	1694683 - Broadmoor
1694633 - 1620H	1694807 - 2618
1694634 - 1620H	

Wheels & Tires Group

REF NO	PART NO.	QTY.	DESCRIPTION
1	1722065	2	WHEEL & TIRE ASSEMBLY, Front, (Includes Ref. Nos. 2, 3, 4, 5, & 6)
2	1722838	1	TIRE, 15 x 6, Super Turf
3	1664090	1	TUBE, Tire, Front, 4.10/3.50
4	1717056	2	BEARING, Ball
5	1722837	1	WHEEL, 4-1/2" x 6"
6	2172353	4	VALVE STEM & CAP ASSEMBLY
7	1722726A	2	WASHER, Flat 1 (Double D)
8	1919394	4	WASHER, 1, (As Required for All Front)
9	2832577	2	RING, Retaining, External #98
10	1722676	4	CAP, Hub, Gray
11	1729279	2	KEY, Parellel, 3/16 x 3/16 x 1-1/2
12	2860202	4	WASHER, 3/4
13	1960114	2	WASHER
14	1726491	2	WHEEL & TIRE ASSEMBLY, (Includes Ref. Nos. 6, 15, 16 & 17)
15	1727136	1	TIRE, 22 x 10, 10 Super Turf
16	2173477	1	TUBE, Tire, 20 x 8, Rear
17	1726492	1	WHEEL, 7 x 9.97, W/ 3/4 OD Shaft
18	1722717A	2	WASHER, Special
19	2827794	2	RING, "E" External

Footnotes

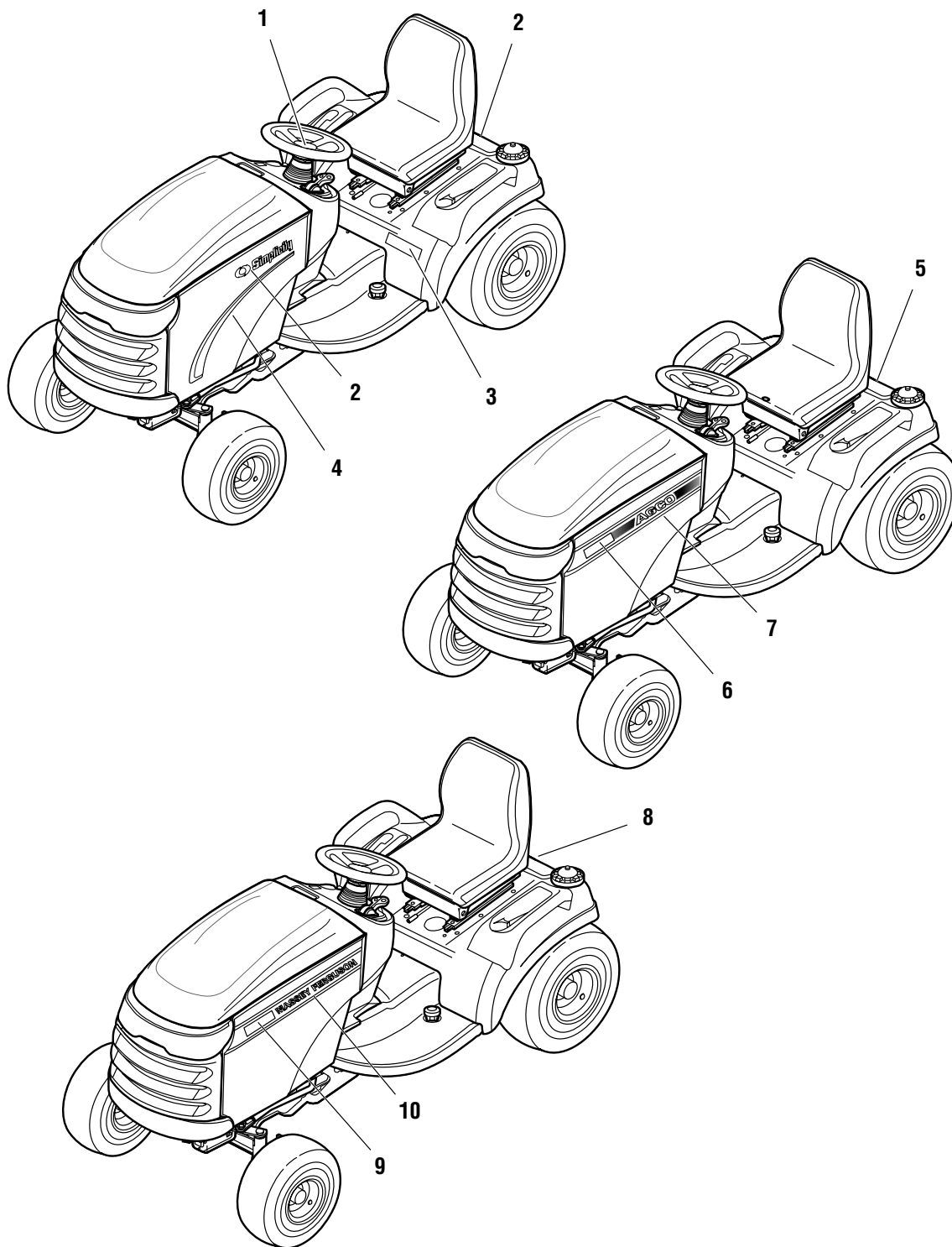
The above parts group applies to the following Mfg. Nos.:

1694629 - Broadmoor	1694635 - 2620H
1694630 - Broadmoor	1694636 - 2620H
1694631 - Broadmoor	1694682 - Broadmoor
1694632 - Broadmoor	1694683 - Broadmoor
1694633 - 1620H	1694807 - 2618
1694634 - 1620H	

Decals - Brand & Model

NOTE: Unless noted otherwise, use the standard hardware torque specification chart.

B986614



The above parts group applies to the following Mfg. Nos.:

- | | |
|---------------------|---------------------|
| 1694629 - Broadmoor | 1694635 - 2620H |
| 1694630 - Broadmoor | 1694636 - 2620H |
| 1694631 - Broadmoor | 1694682 - Broadmoor |
| 1694632 - Broadmoor | 1694683 - Broadmoor |
| 1694633 - 1620H | 1694807 - 2618 |
| 1694634 - 1620H | |

Decals - Brand & Model

REF NO	PART NO.	QTY.	DESCRIPTION
1	1717692	1	DECAL, ICON Simplicity, Orange
2	1722551	3	DECAL, Simplicity, Silver & Blue w/Icon
3	1722776	1	DECAL, Broadmoor, Silver & Blue
4	1722773	1	DECAL, Hood Stripe, RH, Simplicity, Blue & Silver
4	1722774	1	DECAL, Hood Stripe, LH, Simplicity, Blue & Silver
5	1708926	1	DECAL, AGCO, Logo Black, Chrome, Orange
6	1727069	1	DECAL, 1620, White, AGCO
7	1722818	1	DECAL, Hood Stripe, RH, AGCO
7	1722817	1	DECAL, Hood Stripe, LH, AGCO
8	1714363	1	DECAL, Massey Ferguson Logo, 3 Triangles
9	1725646	1	DECAL, 2618, Black, Massey Ferguson
9	1727070	2	DECAL, 2620, Black, Massey Ferguson
10	1727783	1	DECAL, Hood Stripe, LH, Massey Ferguson
10	1727784	1	DECAL, Hood Stripe, RH, Massey Ferguson

Footnotes

The above parts group applies to the following Mfg. Nos.:

1694629 - Broadmoor	1694635 - 2620H
1694630 - Broadmoor	1694636 - 2620H
1694631 - Broadmoor	1694682 - Broadmoor
1694632 - Broadmoor	1694683 - Broadmoor
1694633 - 1620H	1694807 - 2618
1694634 - 1620H	

Decals - Safety & Common

REF NO	PART NO.	QTY.	DESCRIPTION
1	1722806	1	DECAL, Ignition Switch Symbols, White/Black
2	1718025	1	DECAL, Automatic Control Traction
3	1722779		DECAL, 18HP
3	1722780	1	DECAL, 20HP
4	1726923	1	DECAL, Tunnel Cover, Danger Slopes/Blades
4	1723175	1	DECAL, Tunnel Cover, Danger Slopes/Blades, (Export)
5	1727014	1	DECAL, Drive Belts, Mower Blades
6	1723296	2	DECAL, Protective Sticker
7	*	1	LABEL, Decibel, Power Mass (Export)
8	*	1	DECAL, I.D. Plate
9	1720454	1	DECAL, Touch Up Paint (Orange)
9	1725072	1	DECAL, Touch Up Paint (Red)
10	*	1	DECAL, Patent
11	1708927	1	DECAL, USA Logo Stars & Stripe
12	1723160	1	DECAL, Transmission Release Valve
13	1720389	2	DECAL, Danger Rotating Blades (Export)
14	1704276	1	DECAL, Danger Do Not Put Hands/Feet in Mower
15	1722771	1	DECAL, Free Floating Mower, Silver
16	*	1	DECAL, OPEI Certified
17	1722787	1	DECAL, 38", Silver on Black with Stripe
17	1722788	1	DECAL, 40", Silver on Black with Stripe
17	1722789	1	DECAL, 44", Silver on Black with Stripe
17	1722790	1	DECAL, 50", Silver on Black with Stripe
18	1704277	1	DECAL, Danger Do Not Operate Without Deflector
19	1721197	1	DECAL, Height of Cut, 38", 44" & 50"
20	1720919	1	DECAL, Height of Cut, 40"

Footnotes

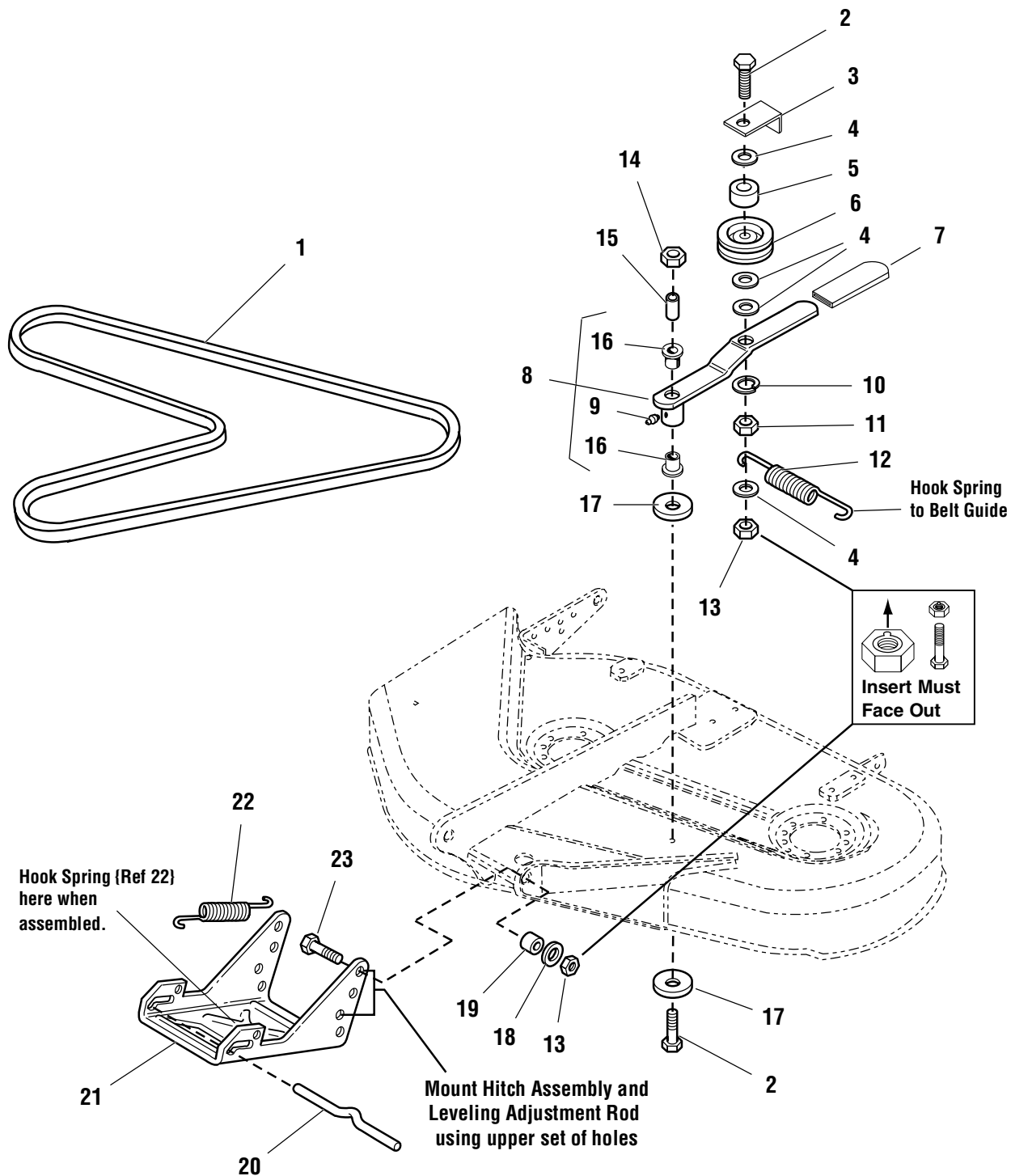
The above parts group applies to the following Mfg. Nos.:

1694629 - Broadmoor	1694635 - 2620H
1694630 - Broadmoor	1694636 - 2620H
1694631 - Broadmoor	1694682 - Broadmoor
1694632 - Broadmoor	1694683 - Broadmoor
1694633 - 1620H	1694807 - 2618
1694634 - 1620H	

38" Mower Deck - Belt, Idler Arm & Hitch

986056

NOTE: Unless noted otherwise,
use the standard hardware torque
specification chart.



The above parts group applies to the following Mfg. Nos.:

- 1694036 - 38" Mower
- 1694042 - 38" Mower

38" Mower Deck - Belt, Idler Arm & Hitch

REF NO	PART NO.	QTY.	DESCRIPTION
1	1723025	1	V-BELT
2	1928957	2	CAPSCREW, Hex Head, 3/8-16 x 2-3/4
3	1677135A	1	GUARD, Belt
4	1922755	4	WASHER, Plain, 3/8
5	1716553	1	SPACER
6	1685150	1	PULLEY (Includes Ref. No. 5)
7	1665835	1	GRIP, Lever
8	1704520	1	CLUTCH LEVER ASSEMBLY (Includes Ref. Nos. 9 & 16)
9	2812808	1	FITTING, Grease
10	1916965	1	LOCKWASHER, 3/8
11	1916950	1	NUT, Hex, 3/8-16
12	1715435	1	SPRING
13	2860641	2	NUT, Hex Aluminum Insert, 3/8-16
14	1960339	1	NUT, Hex Flange, 3/8-16
15	1657242	1	SPACER
16	1663114	2	BUSHING
17	1924356	2	WASHER, 3/8
18	1924940	2	WASHER, Plain, 13/32
19	2157081	2	SPACER
20	1715759	1	ROD, Latch
21	1707432A	1	HITCH ASSEMBLY
22	2156302	1	SPRING
23	1921969	2	CAPSCREW, Hex Head, 3/8-16 x 1-1/2

Footnotes

The above parts group applies to the following Mfg. Nos.:

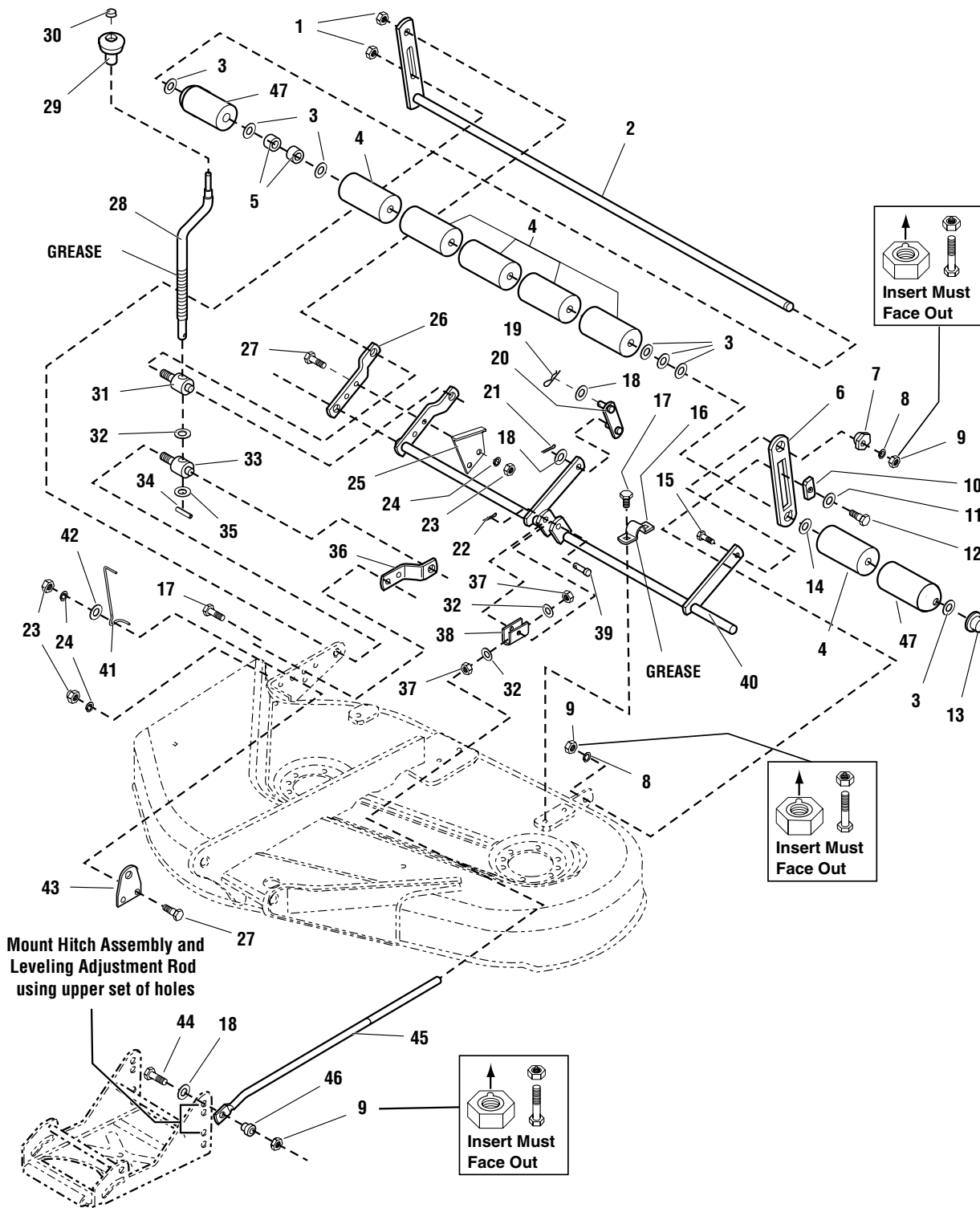
1694036 - 38" Mower

1694042 - 38" Mower

38" Mower Deck - Height Adjustment & Roller Bar

986019

NOTE: Unless noted otherwise,
use the standard hardware torque
specification chart.



The above parts group applies to the following Mfg. Nos.:

- 1694036 - 38" Mower
- 1694042 - 38" Mower

38" Mower Deck - Height Adjustment & Roller Bar

REF NO	PART NO.	QTY.	DESCRIPTION
1	1930644	2	NUT, Hex Flange Lock, 1/2-13
2	1686686	1	SHAFT & BAR ASSEMBLY (Includes Ref. No. 13)
3	1924366	8	WASHER, Plain, 1-1/4
4	1668513	6	ROLLER
5	1602946	2	SPACER
6	1704073A	1	BAR, Roller
7	1704082	2	NUT, Adjuster
8	2816965	2	LOCKWASHER, 3/8
9	2860641	2	NUT, Hex Aluminum Insert, 3/8-16
10	1677507	1	SLIDE
11	1924361	1	WASHER, Plain, 1/2
12	2172622	1	BOLT, Shoulder, 3/8-16
13	1960520	1	NUT, Push
14	1960020	1	WASHER, 5/8
15	1931352	1	CARRIAGE BOLT, 3/8-16 x 1-1/2
16	1665374A	2	STRAP, Mower Arm ASSEMBLY
17	1931202	1	CAPSCREW, Hex Head Taptite, 5/16-18 x 1-1/4
18	1924940	5	WASHER, Plain, 13/32
19	2176012	1	CLIP, Pin, Safety
20	1705049	1	LINK ASSEMBLY, Lift
21	1918448	1	COTTER PIN
22	1918452	1	COTTER PIN
23	1917372	4	NUT, Hex, 5/16-18
24	1917356	4	LOCKWASHER, 5/16
25	1704116A	1	BRACKET, Height of Cut
26	1704083A	1	ARM, Rear, Mower, RH
27	1921977	4	CAPSCREW, Hex Head, 5/16-18 x 1-1/4
28	1719901	1	CRANK, Height of Cut
29	1714084	1	KNOB
30	1960093	1	PAL NUT
31	1704087	1	TRUNNION, Threaded
32	1960170	3	WASHER, 5/8
33	1704086	1	TRUNNION
34	2816001	1	PIN, Roll, 1
35	1704097	1	WASHER, Detent
36	1704077A	1	STRAP, Trunnion Retainer
37	1913744	2	NUT, Hex Jam, 1/2-13
38	1704081A	1	TRUNNION
39	2118053	1	PIN, Clevis
40	1723388A	1	SHAFT ASSEMBLY
41	1704114	1	INDICATOR, Height of Cut
42	1919381	1	WASHER, Flat, 5/16
43	1704115A	1	PLATE, Support
44	1922606	1	CAPSCREW, Hex Head, 3/8-16 x 1-3/4

Footnotes

The above parts group applies to the following Mfg. Nos.:

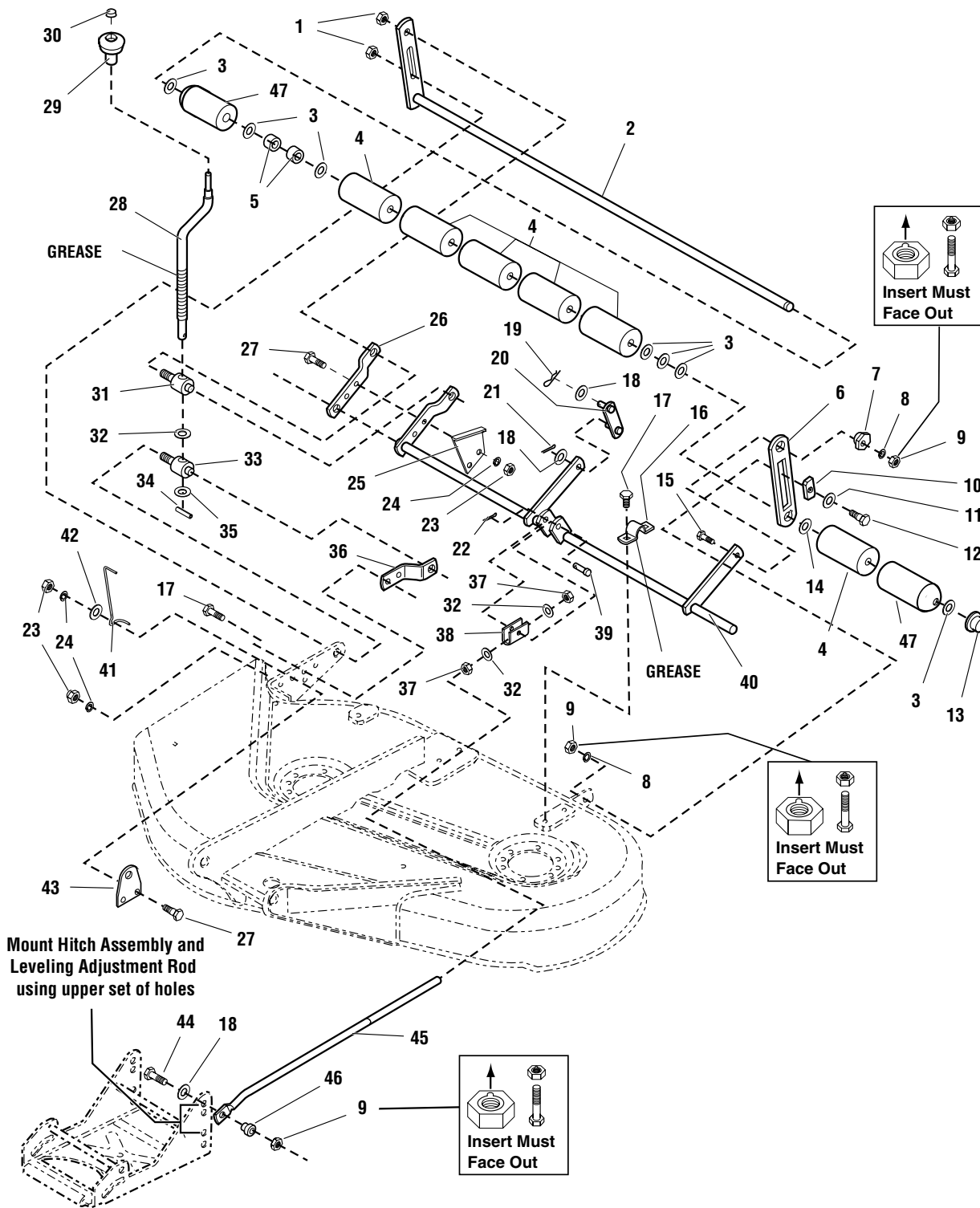
1694036 - 38" Mower

1694042 - 38" Mower

38" Mower Deck - Height Adjustment & Roller Bar

986019

NOTE: Unless noted otherwise,
use the standard hardware torque
specification chart.



The above parts group applies to the following Mfg. Nos.:

- 1694036 - 38" Mower
- 1694042 - 38" Mower

38" Mower Deck - Height Adjustment & Roller Bar

REF NO	PART NO.	QTY.	DESCRIPTION
45	1704093	1	ROD, Adjustment
46	1706644	1	SPACER
47	1722036	2	ROLLER

Footnotes

The above parts group applies to the following Mfg. Nos.:

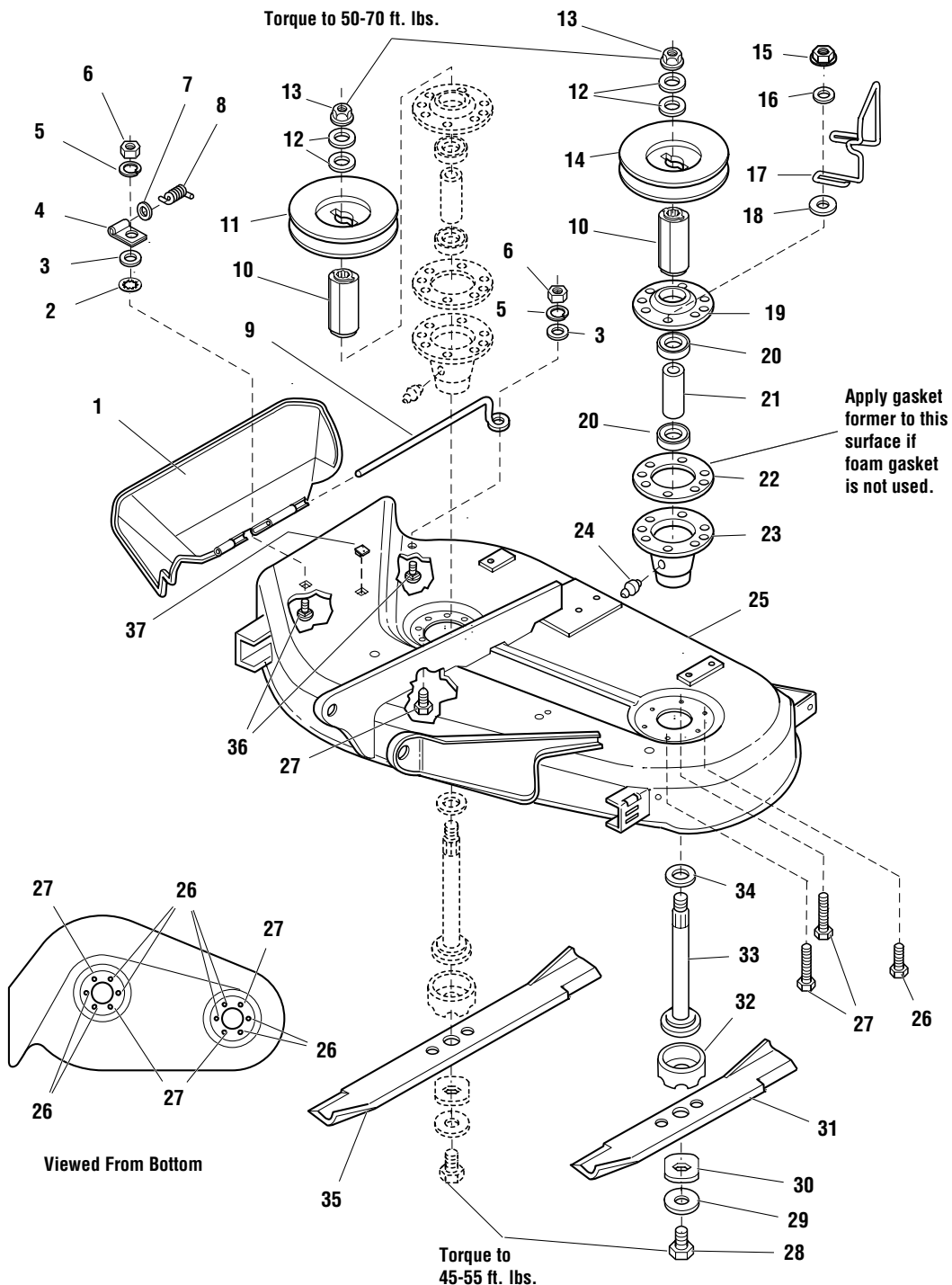
1694036 - 38" Mower

1694042 - 38" Mower

38" Mower Deck - Housing, Arbors & Blades

986017

NOTE: Unless noted otherwise, use the standard hardware torque specification chart.



The above parts group applies to the following Mfg. Nos.:

- 1694036 - 38" Mower
- 1694042 - 38" Mower

38" Mower Deck - Housing, Arbors & Blades

REF NO	PART NO.	QTY.	DESCRIPTION
1	1705449	1	DEFLECTOR, Plastic
2	1960518	1	NUT, Push
3	1960353	2	WASHER, Plain
4	1704873	1	CLAMP
5	1916964	2	LOCKWASHER, 1/4
6	1916622	2	NUT, Hex, 1/4-20
7	1919326	1	WASHER, 5/16, Black
8	1723938	1	SPRING, Torsion
9	1706709A	1	ROD, Deflector, Front
10	1713616	2	HUB ADAPTER, Pulley
11	1720388	1	PULLEY, 1-1/4" O.D.
12	1713675	4	WASHER, Belleville
13	1714419	2	NUT, Hex Flange, 9/16-8
14	1720387	1	PULLEY, 4" O.D.
15	1927557	4	NUT, Hex Whiz Lock, 5/16-18
16	1919381	4	WASHER, Flat, 5/16
17	1723210	2	GUIDE, Belt
18	1924356	4	WASHER, 3/8
19	1713199A	2	COVER, Arbor Housing
20	1705897	4	BEARING
21	1713204	2	SPACER
22	1707335	2	GASKET, Foam
23	1713338	2	ARBOR HOUSING ASSEMBLY (Includes Ref. No. 24)
24	1704314	2	FITTING, Lube
25	1686815	1	HOUSING ASEMBLY, 38"
26	2860678	4	CAPSCREW, Taptite R, 5/16-18 x 1-3/4
27	1664847	8	CAPSCREW, Taptite, 5/16-18 x 3/4
28	2823471	2	CAPSCREW, Hex, Head, 7/16-14 x 1-1/4
29	1656916	2	WASHER, Spring
30	1713089	2	WASHER, Hex
31	1704856A	1	BLADE, Mower, 16-1/8", LH
32	1713196	2	SHIELD, Grass, Lower
33	1713612	2	SHAFT, Arbor
34	1713619	2	WASHER
35	1704101A	1	BLADE, Mower, 22-1/4", RH
36	1931318	2	CARRIAGE BOLT, 1/4-20 x 7/8
37	1705115	2	PLUG, Hole

Footnotes

The above parts group applies to the following Mfg. Nos.:

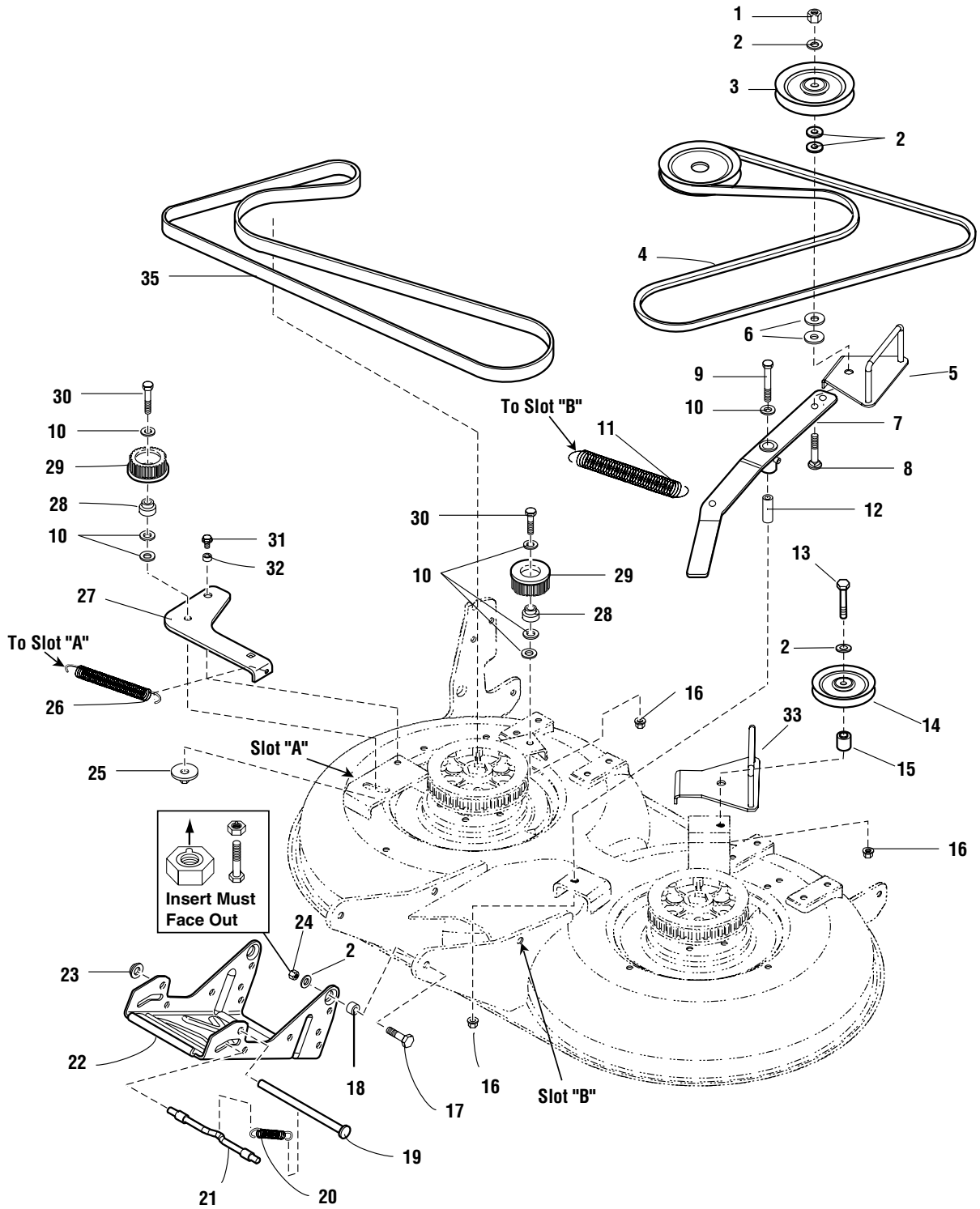
1694036 - 38" Mower

1694042 - 38" Mower

40" Mower Deck - Belt, Idler Arm & Hitch

986250

NOTE: Unless noted otherwise,
use the standard hardware torque
specification chart.



The above parts group applies to the following Mfg. Nos.:

- 1694339 - 40" Mower
- 1694340 - 40" Mower
- 1694341 - 40" Mower
- 1694821 - 40" Mower

40" Mower Deck - Belt, Idler Arm & Hitch

REF NO	PART NO.	QTY.	DESCRIPTION
1	1919439	1	NUT, Hex Lock Esna Light, 3/8-16
2	1924940	6	WASHER, 3/8
3	1725408	1	PULLEY, Idler
4	1723391	1	V-BELT, Arbor Drive
5	1722175A	1	BELT GUIDE
6	1960534	2	WASHER, 3/8
7	1724835	1	ARM ASSEMBLY, Idler with Bushings & Fitting, 38 Tooth
8	1931355	1	CARRIAGE BOLT, 3/8-16 x 2
9	1928957	1	CAPSCREW, Hex Head, 3/8-16 x 2-3/4 G8
10	1922755	6	WASHER, 3/8
11	1715435	1	SPRING, Extension, Idler Arm
12	1657242	1	SPACER, Hardened
13	1922130	1	CAPSCREW, Hex Head, 3/8-16 x 2-1/4
14	1723952	1	PULLEY
15	1667812	1	SPACER
16	1928352	4	NUT, Hex Flange Whiz Lock, Large, 3/8-16
17	1921968	2	CAPSCREW, Hex Head, 3/8-16 x 1-3/8
18	2172329	2	SPACER
19	1713578	1	ROD, Mower Hitch
20	2156302	1	SPRING, Extension, Hitch Release
21	1715759	1	ROD, Latch
22	1720044A	1	HITCH, Mower
23	1960519	1	NUT, Push
24	2860681	2	NUT, Hex Toplock Sprial Flange, 3/8-16
25	1721425	1	WASHER & NUT ASSEMBLY, 3/8 x 1-1/2
26	1674671	1	SPRING, Extension
27	1719923	1	ARM, Idler
28	1719221	2	HUB
29	1724802	2	PULLEY, Idler
30	1960315	2	CARRIAGE BOLT, 3/8-16 x 2
31	1930601	1	CAPSCREW, Taptite Hex Washer Head, 5/16-18 x 1/2
32	1666697	1	SPACER
33	1722182A	1	BELT GUIDE
34	1724625	1	BELT, Timing, 38 Tooth

Footnotes

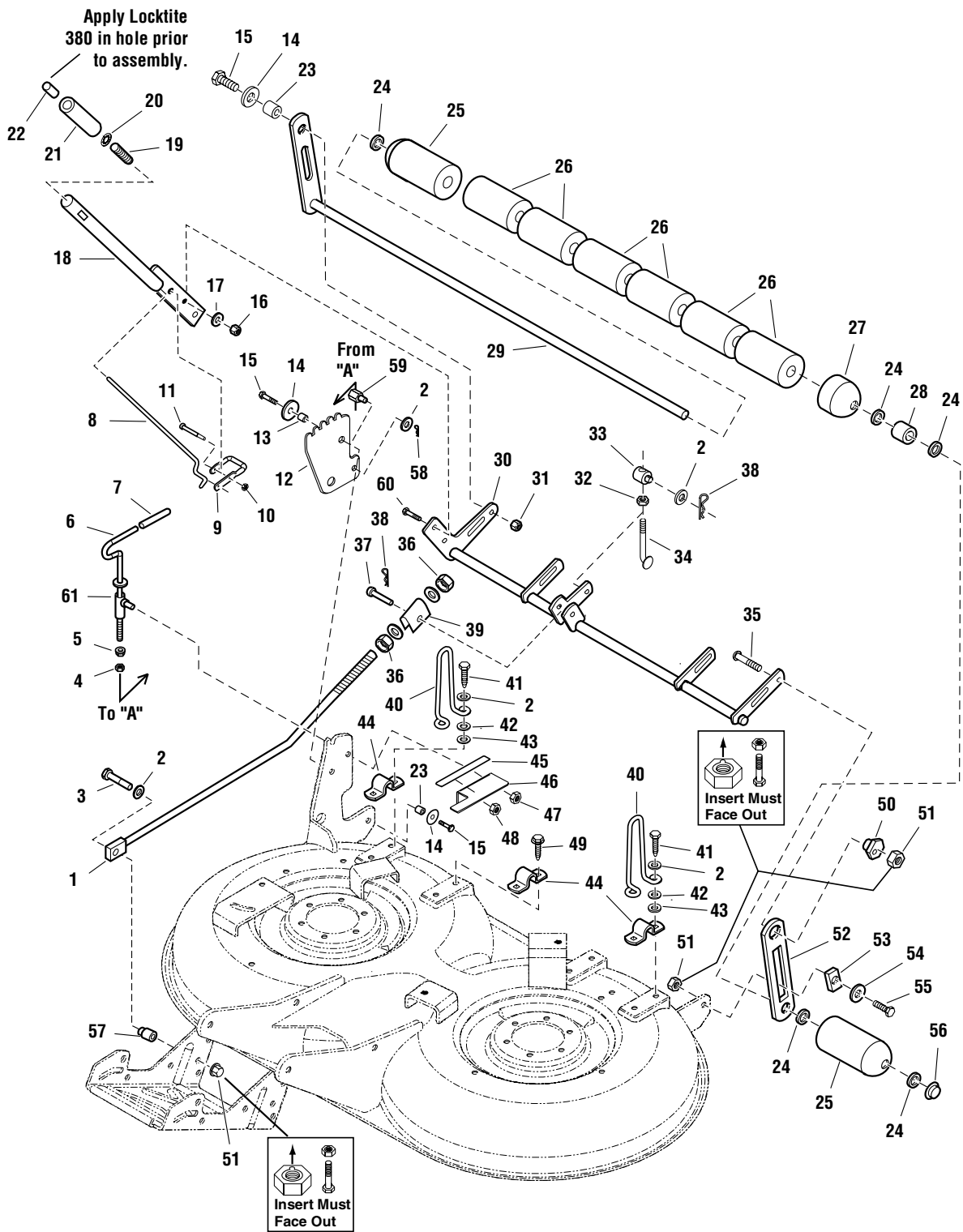
The above parts group applies to the following Mfg. Nos.:

1694339 - 40" Mower
1694340 - 40" Mower
1694341 - 40" Mower
1694821 - 40" Mower

40" Mower Deck - Height Adjustment & Roller Bar

986049

NOTE: Unless noted otherwise, use the standard hardware torque specification chart.



The above parts group applies to the following Mfg. Nos.:

- 1694339 - 40" Mower
- 1694340 - 40" Mower
- 1694341 - 40" Mower
- 1694821 - 40" Mower

40" Mower Deck - Height Adjustment & Roller Bar

REF NO	PART NO.	QTY.	DESCRIPTION
1	1722661	1	ROD
2	1924940	8	WASHER, 3/8
3	1922606	1	CAPSCREW, Hex Head, 3/8-16 x 1 3/4
4	1917421	1	NUT, Hex Jam, 3/8-16
5	1960601	1	NUT, Hex Flange, 3/8-16 Black
6	1720704	1	ROD & WASHER ASSEMBLY, Adjust Handle
7	1651820	1	GRIP, Black Vinyl For Rod
8	1721257	1	ROD, Latch
9	1720599	1	LATCH, 5/16 WIRE
10	1920397	1	NUT, Hex Lock Esna Light, 1/4-20
11	1921159	1	CAPSCREW, Hex Head, 1/4-20 x 2 1/4
12	1723409A	1	BRACKET, Adjusting
13	1666697	1	SPACER
14	1960044	5	WASHER, 5/16
15	1921977	2	CAPSCREW, Hex Head, 5/16-18 x 1 1/4
16	1917372	3	NUT, Hex 5/16-18
17	1917356	3	LOCKWASHER, Spring 5/16
18	1720695A	1	HANDLE ASSEMBLY, Lift, 40" Munching
19	1723321	1	SPRING, Compression 3-7/8" Long
20	1960674	1	PUSH NUT, 1/4
21	1713995	1	GRIP, Black Soft for Rod
22	1723124	1	BUTTON, Red
23	1960236	4	SPACER
24	1924366	7	WASHER, 5/8
25	1722036	2	ROLLER
26	1668513	6	ROLLER
27	1717675	2	ROLLER
28	1602946	1	SPACER
29	1723305A	1	SHAFT & BAR ASSEMBLY
30	1723303A	1	SHAFT ASSEMBLY
31	2860643	2	NUT, Hex, 5/16-18
32	1920161	1	NUT, Hex Jam, 5/16-18
33	7028200	1	TRUNNION
34	1724959	1	ROD, Height Adjustment
35	1931352	1	CARRIAGE BOLT, 3/8-16 x 1-1/2
36	1915726	2	NUT, Hex, 5/8-11
37	2118053	1	PIN
38	1960074	2	CLIP, Hair Pin
39	1706645A	1	TRUNNION, Rod
40	1720659	2	UPSTOP
41	1931202	4	CAPSCREW, Hex Head Taptite, 5/16-18 x 1-1/4
42	1919381	6	WASHER, 5/16
43	1933988	4	NUT, Push, 5/16
44	1665374A	3	STRAP, Roller Support

Footnotes

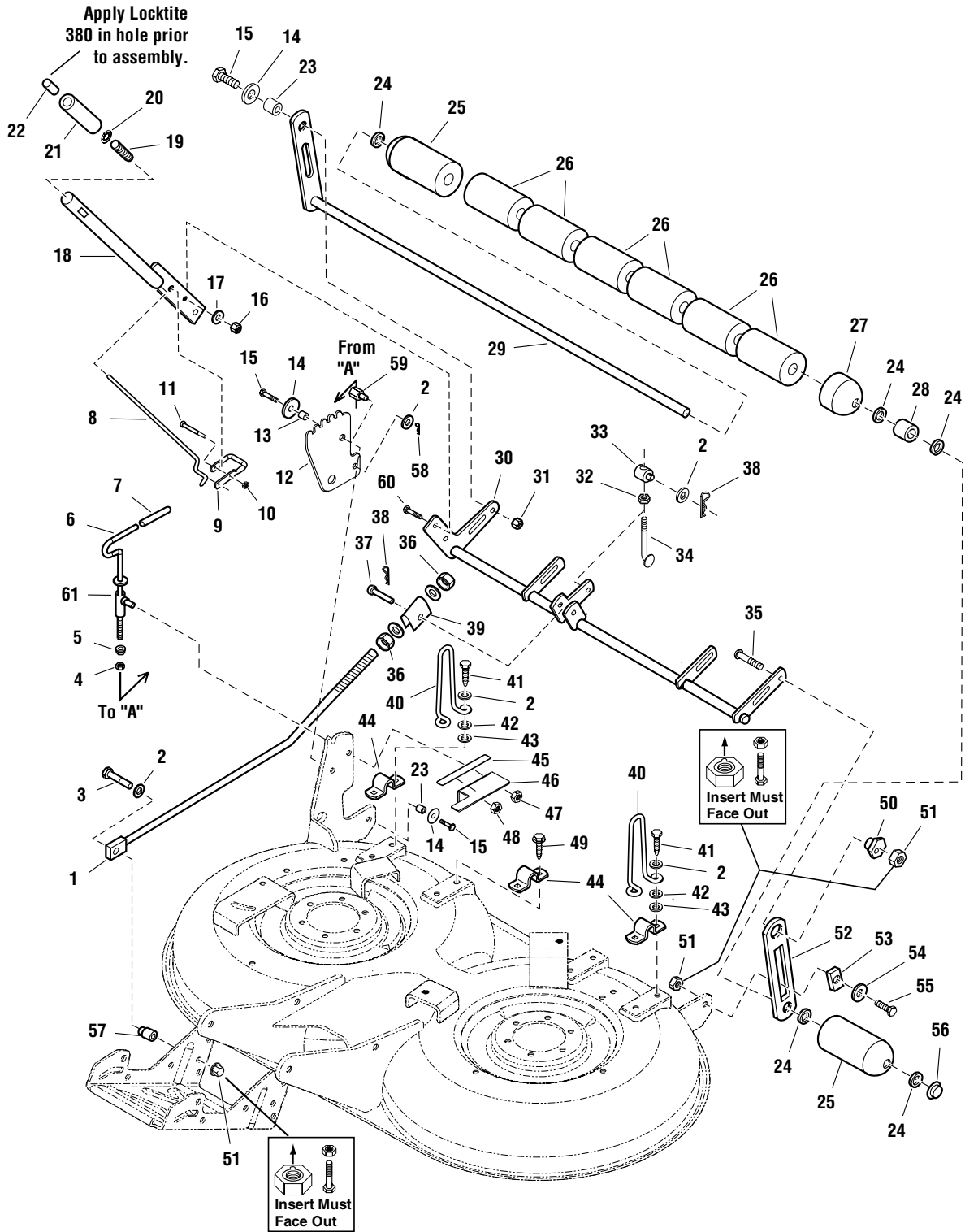
The above parts group applies to the following Mfg. Nos.:

1694339 - 40" Mower
 1694340 - 40" Mower
 1694341 - 40" Mower
 1694821 - 40" Mower

40" Mower Deck - Height Adjustment & Roller Bar

986049

NOTE: Unless noted otherwise, use the standard hardware torque specification chart.



The above parts group applies to the following Mfg. Nos.:

- 1694339 - 40" Mower
- 1694340 - 40" Mower
- 1694341 - 40" Mower
- 1694821 - 40" Mower

40" Mower Deck - Height Adjustment & Roller Bar

REF NO	PART NO.	QTY.	DESCRIPTION
45	1720919	1	DECAL, Height of Cut
46	1720931A	1	BRACKET, Height of Cut
47	1930651	1	NUT, Hex Centerlock 3/8-16
48	1935048	1	NUT, Hex Flange Lock, 5/16-18
49	1664847	8	CAPSCREW, Taptite Hex Washer Head, 5/16-18 x 3/4
50	1704082	1	NUT, Hex Adjusting
51	2860681	3	NUT, Toplock Spiral Flange, 3/8-16
52	1704073A	1	BAR
53	1677507	1	SLIDE
54	1924361	1	WASHER, 1/2
55	2172622	1	BOLT, Shoulder, 3/8-16 x 1-11/32
56	1960520	1	NUT, Push 5/8
57	1706644	1	SPACER
58	1918447	1	PIN, Cotter
59	2108512	1	PIVOT, 3/4 Hex
60	1931335	2	CARRIAGE BOLT, 5/16-18 x 1
61	2108241	1	GUIDE ASSEMBLY, Rod

Footnotes

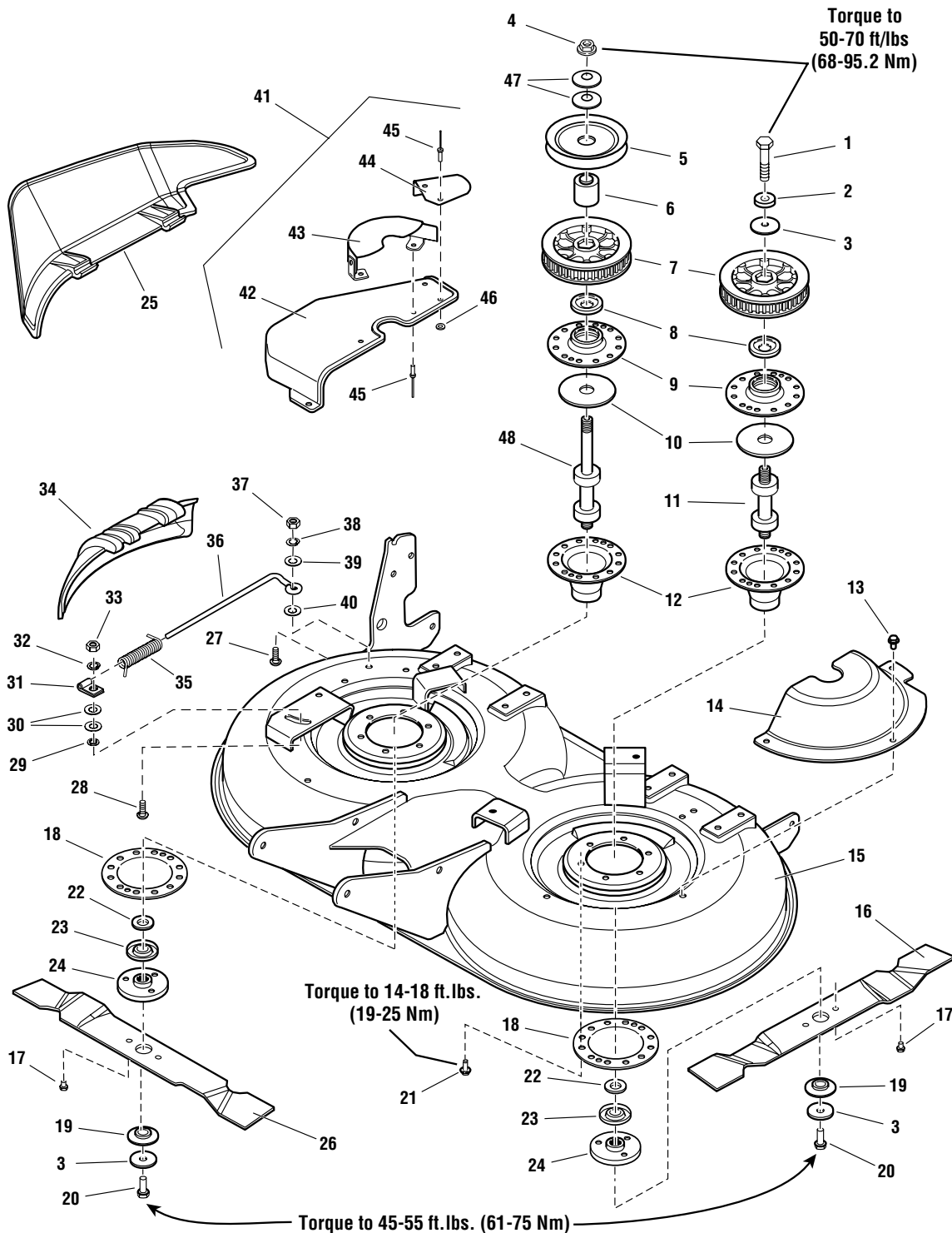
The above parts group applies to the following Mfg. Nos.:

1694339 - 40" Mower
1694340 - 40" Mower
1694341 - 40" Mower
1694821 - 40" Mower

40" Mower Deck - Housing, Arbors & Blades

986248

NOTE: Unless noted otherwise, use the standard hardware torque specification chart.



The above parts group applies to the following Mfg. Nos.:

- 1694339 - 40" Mower
- 1694340 - 40" Mower
- 1694341 - 40" Mower
- 1694821 - 40" Mower

40" Mower Deck - Housing, Arbors & Blades

REF NO	PART NO.	QTY.	DESCRIPTION
1	1930584	1	CAPSCREW, Hex Head, 7/16-14 x 2-3/4 G8
2	1933263	1	WASHER, 7/16
3	1656916	3	WASHER, Spring
4	1714419	1	NUT, Hex Flange, 9/16-18
5	1713091	1	PULLEY
6	1719870	1	HUB
7	1724453	2	SPROCKET & FLANGE ASSEMBLY, Riveted, 38 Tooth
8	1657969A	2	SHIELD, Arbor Bearing, Upper
9	1655729A	2	HOUSING, Arbor Top
10	1707335	2	GASKET, Foam Poly
11	1722396	1	ARBOR SHAFT & BEARINGS ASSEMBLY
12	1703273A	2	HOUSING, Arbor Bottom with Lube Fitting
13	1664847	6	CAPSCREW, Taptite Hex Washer Head, 5/16-18 x 3/4
14	1724601	1	COVER, Arbor, LH
15	1686978	1	HOUSING ASSEMBLY, 40", Orange
15	1687175	1	HOUSING ASSEMBLY, 40", Red
16	1719624A	1	BLADE, Mower, LH
17	1722258	2	PIN, Blade
18	1677274A	2	ADAPTOR, Arbor
19	1722257	2	WASHER, Spline
20	2827120	2	CAPSCREW, Hex Head, 7/16-14 x 2-1/4 G8
21	1960373	12	CAPSCREW, Taptite Hex Washer Head, 5/16-18 x 1
22	1700230	2	WASHER, Shim
23	1700229A	2	SHIELD, Arbor Bearing, Lower
24	1655777	2	ADAPTER, Blade
25	1723453	1	DEFLECTOR, Discharge
26	1719623A	1	BLADE, Mower, RH
27	1931335	1	CARRIAGE BOLT, 5/16-18 x 1
28	1931318	1	CARRIAGE BOLT, 1/4-20 x 7/8
29	1960518	1	NUT, Push
30	1960353	2	WASHER, 1/4
31	1704873	1	CLAMP
32	1916964	1	LOCKWASHER, Spring 1/4
33	1916622	1	NUT, Hex 1/4-20
34	1719597	1	DOOR, Mulching, Black Plastic
35	1723938	1	SPRING, Torsion
36	1719617	1	ROD, Pivot
37	1917372	1	NUT, Hex 5/16-18
38	1917356	1	LOCKWASHER, Spring 5/16
39	1919381	1	WASHER, 5/16
40	1933988	1	NUT, Push
41	1721155	1	COVER ASSEMBLY, Arbor, RH (Includes Ref. Nos. 42 thru 46)
42	1724600	1	COVER, Arbor RH
43	1721259A	1	GUARD ASSEMBLY, RH

Footnotes

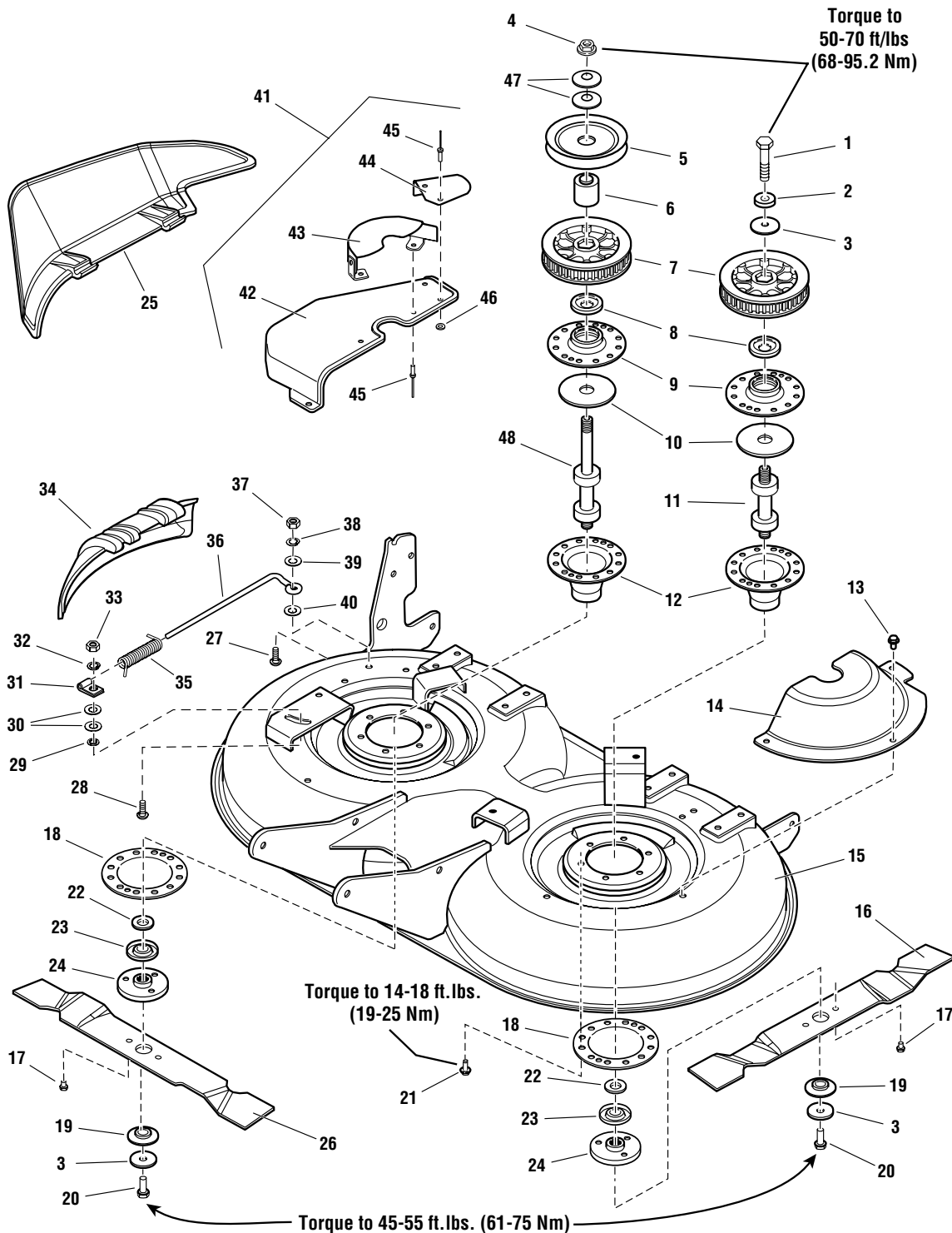
The above parts group applies to the following Mfg. Nos.:

1694339 - 40" Mower
 1694340 - 40" Mower
 1694341 - 40" Mower
 1694821 - 40" Mower

40" Mower Deck - Housing, Arbors & Blades

986248

NOTE: Unless noted otherwise, use the standard hardware torque specification chart.



The above parts group applies to the following Mfg. Nos.:

- 1694339 - 40" Mower
- 1694340 - 40" Mower
- 1694341 - 40" Mower
- 1694821 - 40" Mower

40" Mower Deck - Housing, Arbors & Blades

REF NO	PART NO.	QTY.	DESCRIPTION
44	1721132A	1	GUARD, Extension
45	1675044	4	RIVIT, Pop
46	1960096	4	WASHER, 3/16 x 3/4 x 1/16
47	1713675	2	WASHER, Bellville
48	1726825	1	ARBOR SHAFT & BEARING ASSEMBLY

Footnotes

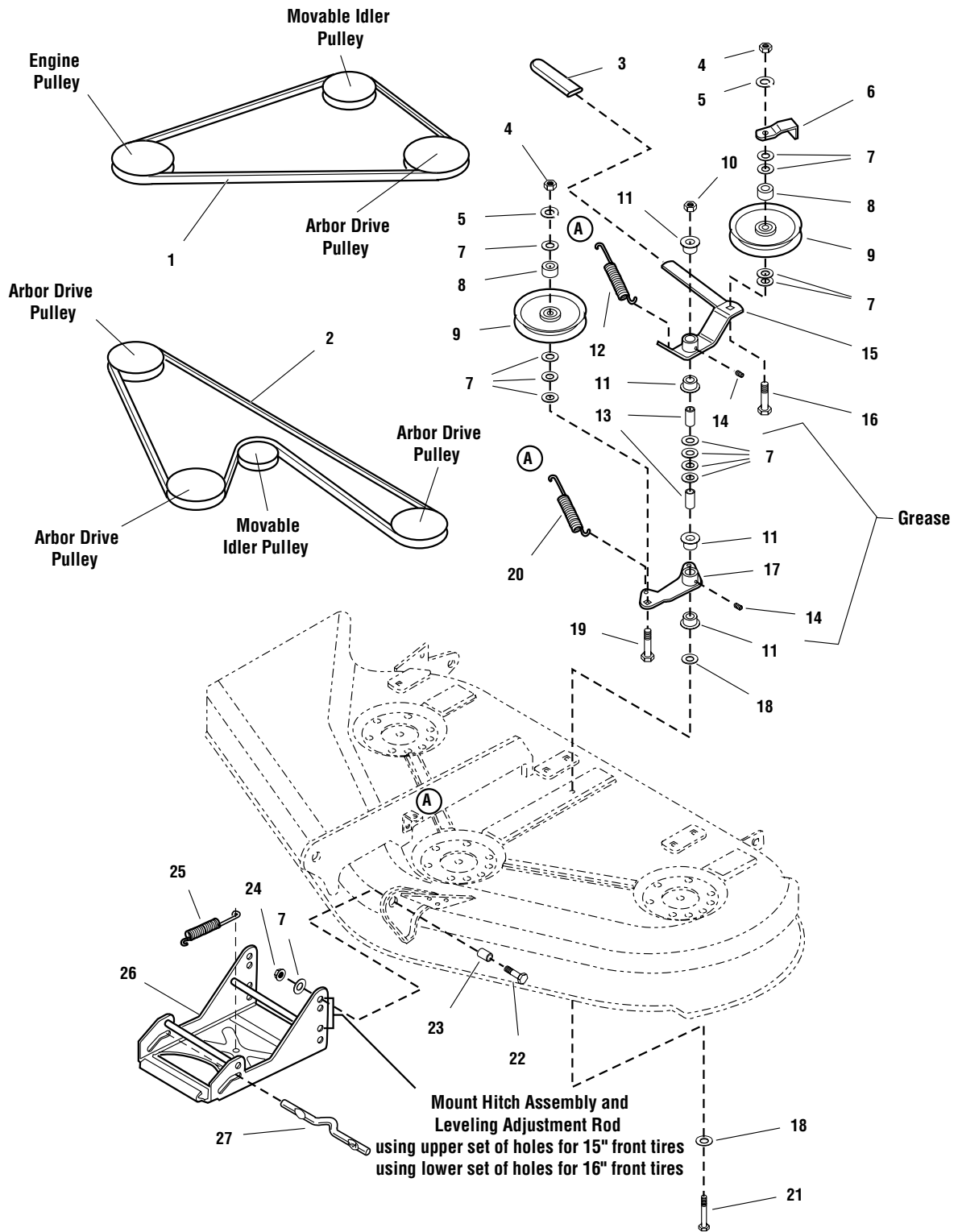
The above parts group applies to the following Mfg. Nos.:

1694339 - 40" Mower
1694340 - 40" Mower
1694341 - 40" Mower
1694821 - 40" Mower

44" Mower Deck - Belt, Idler Arm & Hitch

986945

NOTE: Unless noted otherwise, use the standard hardware torque specification chart.



The above parts group applies to the following Mfg. Nos.:

- 1694037 - 44" Mower
- 1694043 - 44" Mower
- 1694178 - 44" Mower
- 1694822 - 44" Mower

44" Mower Deck - Belt, Idler Arm & Hitch

REF NO	PART NO.	QTY.	DESCRIPTION
1	1601672	1	V-BELT, Mower Drive
2	1721532	1	V-BELT, Arbor Drive
3	1665835	1	GRIP, Lever
4	1916950	2	NUT, Hex, 3/8-16
5	1916965	2	WASHER, Lock, 3/8
6	1677135A	1	BELT STOP, Idler
7	1924940	14	WASHER, 3/8
8	1666294	2	SPACER, 25/64 x 21/32 x 7/16, Powder Metal
9	1685150	2	PULLEY, Idler, (Includes Ref. No. 8)
10	1960339	1	NUT, Hex Flange, 3/8-16, MAC Lock Large, Black
11	1676148	4	BUSHING, 5/8 x 3/4 x 13/32, Powder Metal
12	1715435	1	SPRING
13	1674669A	2	SPACER, 25/64 x 5/8 x 1-1/8, Case Hardened
14	2812808	2	GREASE FITTING
15	1704658	1	LEVER ASSEMBLY, Idler, (Includes Ref. Nos. 3, 11 & 14)
16	1960315	1	CARRIAGE BOLT, 3/8-16 x 2
17	1718561	1	LEVER ASSEMBLY, Idler Arm, (Includes Ref. Nos. 11 & 14)
18	1924356	2	WASHER, 3/8, Black
19	1931352	1	CARRIAGE BOLT, 3/8-16 x 1-1/2
20	1656936	1	SPRING
21	1923938	1	CAPSCREW, Hex Head, 3/8-16 x 3-1/2
22	1921968	2	CAPSCREW, Hex Head, 3/8-16 x 1-3/8
23	2157081	2	SPACER, 3/8 x 3/4 x 1/2
24	2860681	2	NUT, Hex Toplock Spirallock Flange, 3/8-16
25	2156302	1	SPRING
26	1707432A	1	HITCH ASSEMBLY
27	1715759	1	ROD, Latch

Footnotes

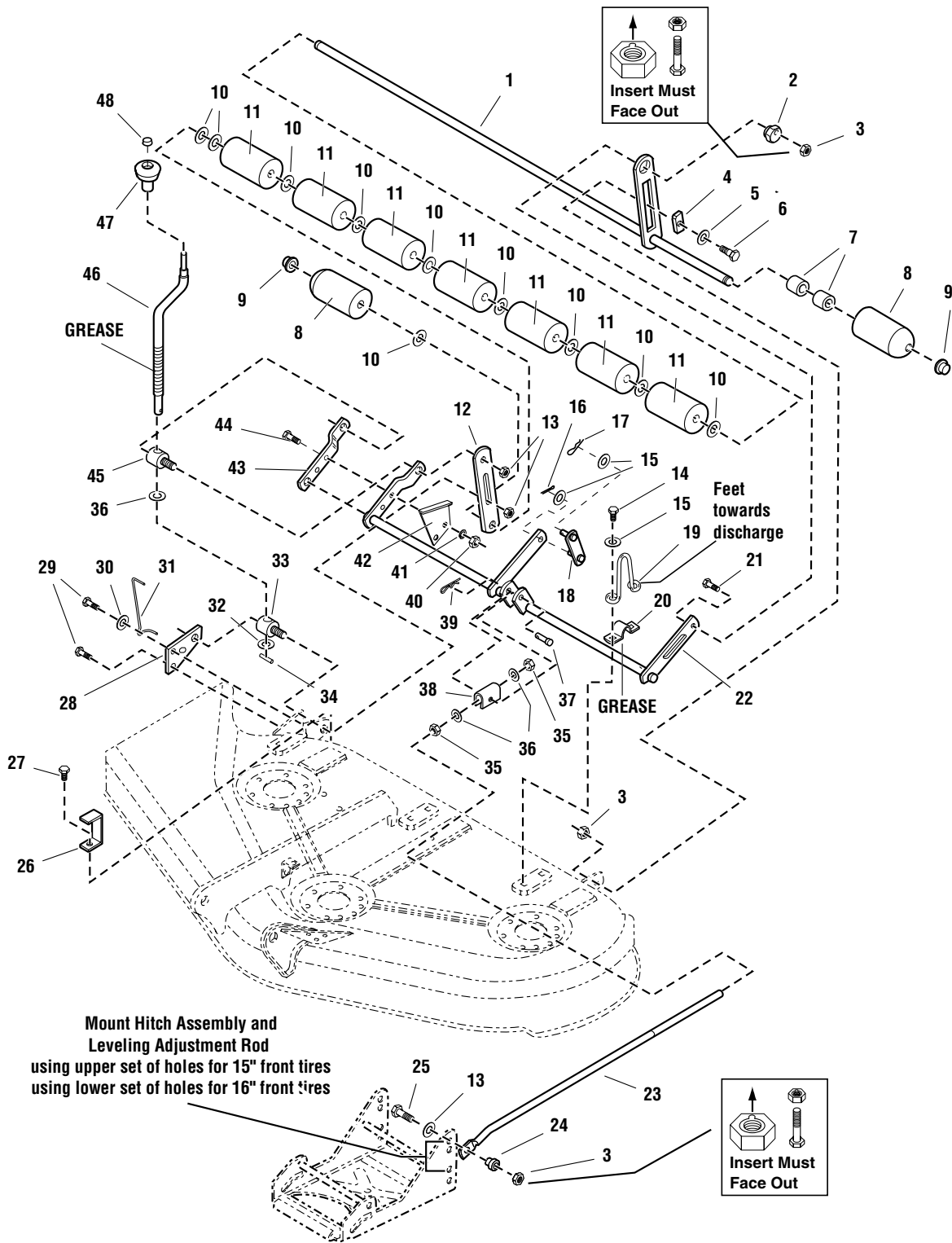
The above parts group applies to the following Mfg. Nos.:

1694037 - 44" Mower
1694043 - 44" Mower
1694178 - 44" Mower
1694822 - 44" Mower

44" Mower Deck - Height Adjustment & Roller Bar

985973

NOTE: Unless noted otherwise,
use the standard hardware torque
specification chart.



The above parts group applies to the following Mfg. Nos.:

- 1694037 - 44" Mower
- 1694043 - 44" Mower
- 1694178 - 44" Mower
- 1694822 - 44" Mower

44" Mower Deck - Height Adjustment & Roller Bar

REF NO	PART NO.	QTY.	DESCRIPTION
1	1685443	1	SHAFT & BAR ASSEMBLY, 44" (Includes Ref. No. 9)
2	1704082	1	NUT, Adjuster
3	2860681	3	NUT, Toplock Spiral Flange, 3/8-16
4	1677507	1	SLIDE
5	1924361	1	WASHER, Plain, 1/2
6	2172622	1	BOLT, Shoulder, 3/8-16
7	1602946	2	SPACER, 25/64 x 13/16 x 13/16, Steel, Black
8	1722036	2	ROLLER, Rounded, 2-1/2 Long
9	1960520	2	NUT, Push
10	1924366	10	WASHER, Plain, 1-1/4
11	1668513	7	ROLLER
12	1704074A	1	BAR, Roller
13	1930644	2	NUT, Hex, Flange, Lock, 1/2-13
14	1664847	5	CAPSCREW, Hex Head Taptite, 5/16 -18 x 3/4
15	1924940	3	WASHER, 3/8
16	1918448	1	PIN, Cotter
17	2176012	1	RETAINER, Pin, Spring
18	1705049	1	BRACKET & PIN ASSEMBLY
19	1720659	1	UPSTOP
20	1665374A	3	STRAP, Mower Arm Assembly
21	1931352	1	CARRIAGE BOLT, 3/8-16 x 1-1/2
22	1723407A	1	ARM ASSEMBLY, Mower
23	1704093	1	ROD, Adjustment
24	1706644	1	SPACER, 3/8 x 3/4 x 15/16
25	1922606	1	CAPSCREW, Hex Head, 3/8-16 x 1-3/4
26	1722750	1	BRACKET, Upstop
27	1960373	2	CAPSCREW, Hex Washer Head Taptite, 5/16-18 x 1, Black
28	1704080A	1	PLATE, Mower Support
29	1931202	2	CAPSCREW, Hex Head Taptite, 5/16-18 x 1-1/4
30	1919381	1	WASHER, 5/16, Black
31	1704114	1	INDICATOR, Height of Cut
32	1704097	1	WASHER, Detent
33	1704086	1	TRUNNION
34	2816001	1	PIN, Roll, 1
35	1913744	2	NUT, Hex, Jam, 1/2-13
36	1960170	3	WASHER, 33/64
37	2118053	1	PIN, Clevis
38	1704081A	1	TRUNNION
39	1960074	2	CLIP, Hair Pin
40	1917372	2	NUT, Hex, 5/16-18
41	1917356	2	WASHER, Lock, 5/16
42	1704116A	1	BRACKET, Height of Cut
43	1704083A	1	ARM, Rear, Mower, RH
44	1921977	2	CAPSCREW, Hex Head, 5/16-18 x 1-1/4

Footnotes

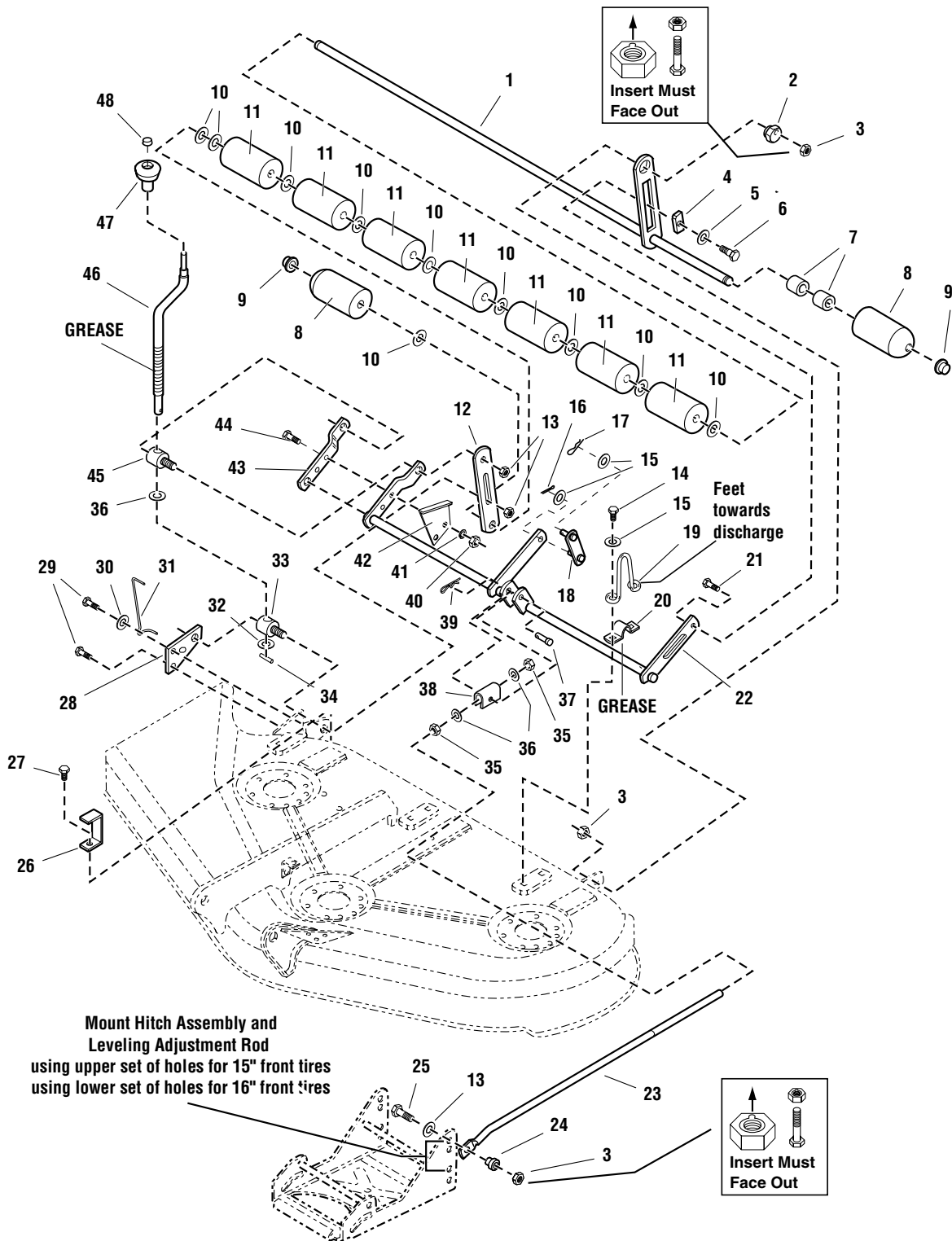
The above parts group applies to the following Mfg. Nos.:

1694037 - 44" Mower
 1694043 - 44" Mower
 1694178 - 44" Mower
 1694822 - 44" Mower

44" Mower Deck - Height Adjustment & Roller Bar

985973

NOTE: Unless noted otherwise,
use the standard hardware torque
specification chart.



The above parts group applies to the following Mfg. Nos.:

- 1694037 - 44" Mower
- 1694043 - 44" Mower
- 1694178 - 44" Mower
- 1694822 - 44" Mower

44" Mower Deck - Height Adjustment & Roller Bar

REF NO	PART NO.	QTY.	DESCRIPTION
45	1704087	1	TRUNNION, Threaded
46	1719901	1	CRANK, Height of Cut
47	1714084	1	KNOB, Height Crank
48	1960093	1	PAL NUT

Footnotes

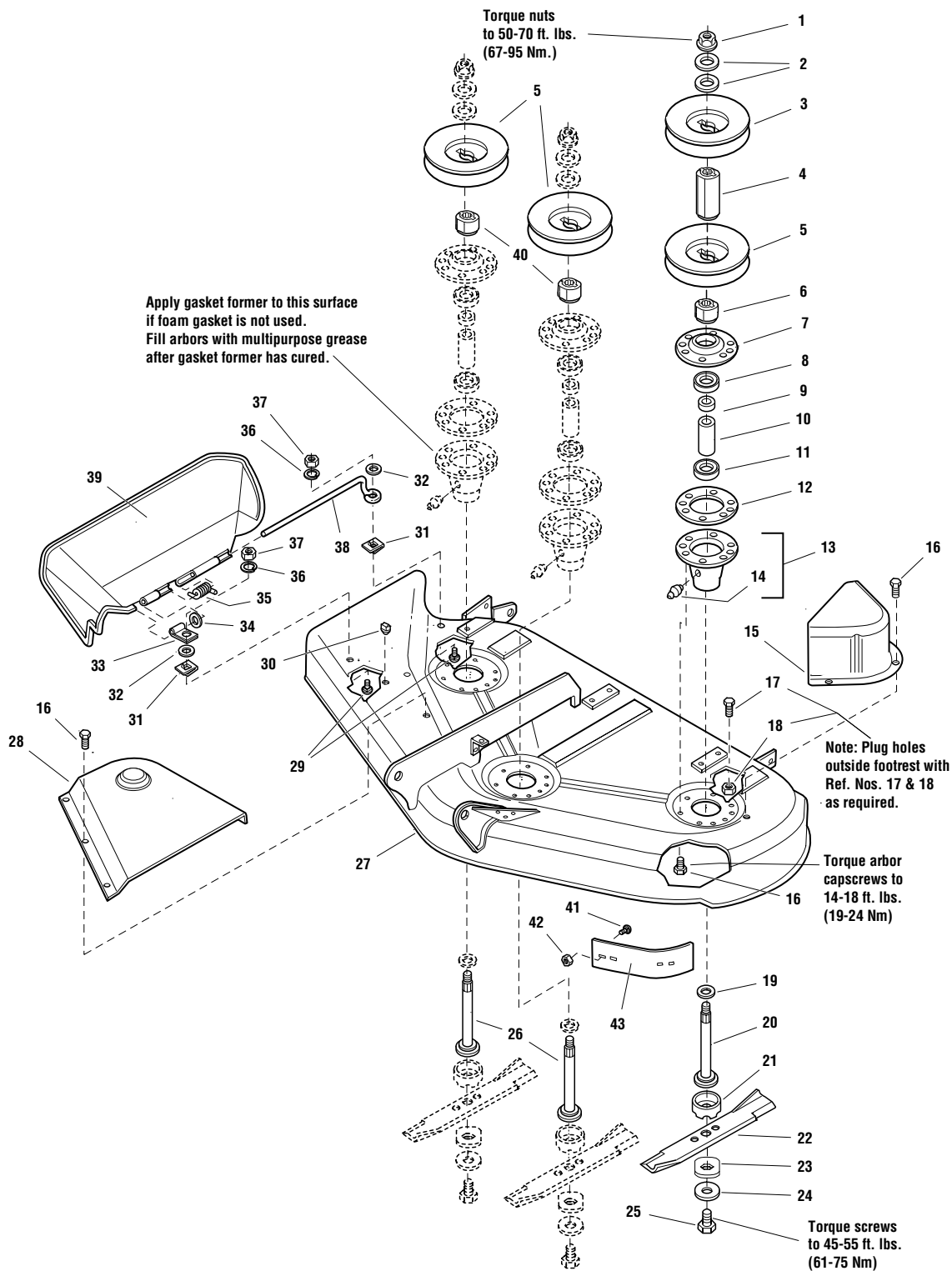
The above parts group applies to the following Mfg. Nos.:

1694037 - 44" Mower
1694043 - 44" Mower
1694178 - 44" Mower
1694822 - 44" Mower

44" Mower Deck - Housing, Arbors & Blades

985971

NOTE: Unless noted otherwise, use the standard hardware torque specification chart.



The above parts group applies to the following Mfg. Nos.:

- 1694037 - 44" Mower
- 1694043 - 44" Mower

44" Mower Deck - Housing, Arbors & Blades

REF NO	PART NO.	QTY.	DESCRIPTION
1	1714419	3	NUT, Hex Flange, 9/16-18
2	1713675	6	WASHER, Bellevilled, 9/16
3	1713161	1	PULLEY, 4-1/2 O.D.
4	1713158	1	HUB, Double Pulley
5	1713098	3	PULLEY, 4-1/4 O.D.
6	1713533	1	HUB, Double Pulley
7	1655729A	3	COVER, Arbor Housing
8	2108202	3	BEARING, Ball, 3/4 x 1-3/4 x 5/8
9	1715724	3	SPACER, 21/32 x 3/4 x 5/8
10	1715723	3	SPACER, 11/16 x 5/32 x 2-11/16
11	1705897	3	BEARING, Ball, 11/16 x 1-9/16 x 15/32
12	1707335	3	GASKET, Foam
13	1713338	3	ARBOR HOUSING ASSEMBLY, (Includes Ref. No. 14)
14	1704314	3	FITTING, Grease
15	1720560A	1	COVER, Arbor
16	1664847	26	CAPSCREW, Hex Head Taptite, 5/16-18 x 3/4
17	1924856	1	CAPSCREW, Hex Washer Head, 5/16-18 x 1/2, Black
18	1931277	1	NUT, Hex Flange, 5/16,
19	1713619	3	WASHER, Bellevilled, 9/16, Black
20	1713612	1	SHAFT, Arbor (LH)
21	1713196	3	SHIELD, Grass, Lower
22	1704100A	3	BLADE, Mower, 16-1/8 (for 44" Decks)
23	1713089	3	WASHER, Hex, 11/16 x 2
24	1656916	3	WASHER, Spring 15/32, Black
25	2823471	3	CAPSCREW, Hex Head, 7/16-14 x 1
26	1713195	2	SHAFT, Arbor (Center & RH)
27	1685411	1	MOWER HOUSING ASSEMBLY, 44" Mower (Orange)
27	1687154	1	MOWER HOUSING ASSEMBLY, 44" Mower (Red)
28	1703601	1	COVER, Arbor
29	1931318	2	CARRIAGE BOLT, 1/4-20 x 7/8
30	1705115	1	PLUG, Hole
31	1960518	2	NUT, Push
32	1960353	2	WASHER, 1/4, Black
33	1704873	1	CLAMP
34	1919326	1	WASHER, 5/16, Black
35	1723938	1	SPRING
36	1916964	2	WASHER, Lock, 1/4
37	1916622	2	NUT, Hex, 1/4-20
38	1706709A	1	ROD, Deflector, Front
39	1705449	1	DEFLECTOR, Plastic
40	1713197	2	HUB, Pulley, Center & RH
41	1931333	2	CARRIAGE BOLT, 5/16-18 x 3/4
42	1927557	2	NUT, Hex Flange Whiz Lock, 5/16-18
43	1724538A	1	BAFFLE, Blowout, 44" & 50"

Footnotes

The above parts group applies to the following Mfg. Nos.:

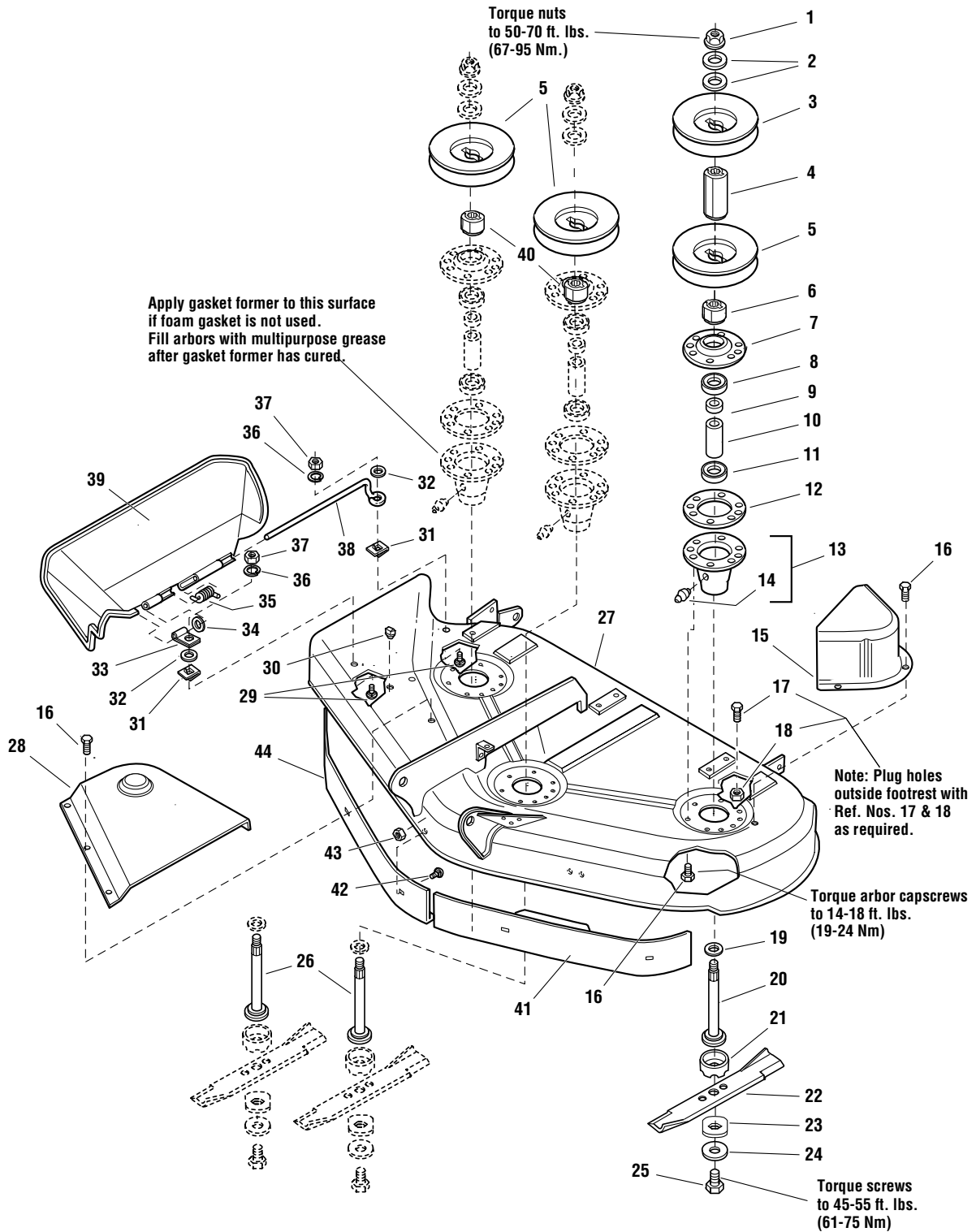
1694037 - 44" Mower

1694043 - 44" Mower

44" Mower Deck - Housing, Arbors & Blades CE

986089

NOTE: Unless noted otherwise, use the standard hardware torque specification chart.



The above parts group applies to the following Mfg. Nos.:

- 1694178 - 44" Mower
- 1694822 - 44" Mower

44" Mower Deck - Housing, Arbors & Blades CE

REF NO	PART NO.	QTY.	DESCRIPTION
1	1714419	3	NUT, Hex Flange, 9/16-18
2	1713675	6	WASHER, Bellevilled, 9/16
3	1713161	1	PULLEY
4	1713158	1	HUB, Double Pulley
5	1713098	3	PULLEY
6	1713533	1	HUB, Double Pulley
7	1655729A	3	COVER, Arbor Housing
8	2108202	3	BEARING, Ball, 3/4 x 1-3/4 x 5/8
9	1715724	3	SPACER, 21/32 x 3/4 x 5/8
10	1715723	3	SPACER, 11/16 x 5/32 x 2-11/16
11	1705897	3	BEARING, Ball, 11/16 x 1-9/16 x 15/32
12	1707335	3	GASKET, Foam
13	1713338	3	ARBOR HOUSING ASSEMBLY, (Includes Ref. No. 14)
14	1704314	3	FITTING, Grease
15	1720560A	1	COVER, Arbor
16	1664847	26	CAPSCREW, Hex Head Taptite, 5/16-18 x 3/4
17	1924856	1	CAPSCREW, Hex Washer Head, 5/16-18 x 1/2, Black
18	1931277	1	NUT, Hex Flange, 5/16,
19	1713619	3	WASHER, Bellevilled, 9/16, Black
20	1713612	1	SHAFT, Arbor (LH)
21	1713196	3	SHIELD, Grass, Lower
22	1704100A	3	BLADE, Mower, 16-1/8 (for 44" Decks)
23	1713089	3	WASHER, Hex, 11/16 x 2
24	1656916	3	WASHER, Spring 15/32, Black
25	2823471	3	CAPSCREW, Hex Head, 7/16-14 x 1
26	1713195	2	SHAFT, Arbor (Center & RH)
27	1685411	1	MOWER HOUSING ASSEMBLY, 44" Mower (Orange)
27	1687154	1	MOWER HOUSING ASSEMBLY, 44" Mower (Red)
28	1703601	1	COVER, Arbor
29	1931318	2	CARRIAGE BOLT, 1/4-20 x 7/8
30	1705115	1	PLUG, Hole
31	1960518	2	NUT, Push
32	1960353	2	WASHER, 1/4, Black
33	1704873	1	CLAMP
34	1919326	1	WASHER, 5/16, Black
35	1723938	1	SPRING
36	1916964	2	WASHER, Lock, 1/4
37	1916622	2	NUT, Hex, 1/4-20
38	1706709A	1	ROD, Deflector, Front
39	1705449	1	DEFLECTOR, Plastic
40	1713197	2	HUB, Pulley, Center & RH
41	1716879A	1	BAFFLE, Anti-Blowout, LH (CE Only)
42	1931333	8	CARRIAGE BOLT, 5/16-18 x 3/4, Black (CE Only)
43	1927557	8	NUT, Hex Flange Whiz Lock, 5/16-18, Black (CE Only)

Footnotes

The above parts group applies to the following Mfg. Nos.:

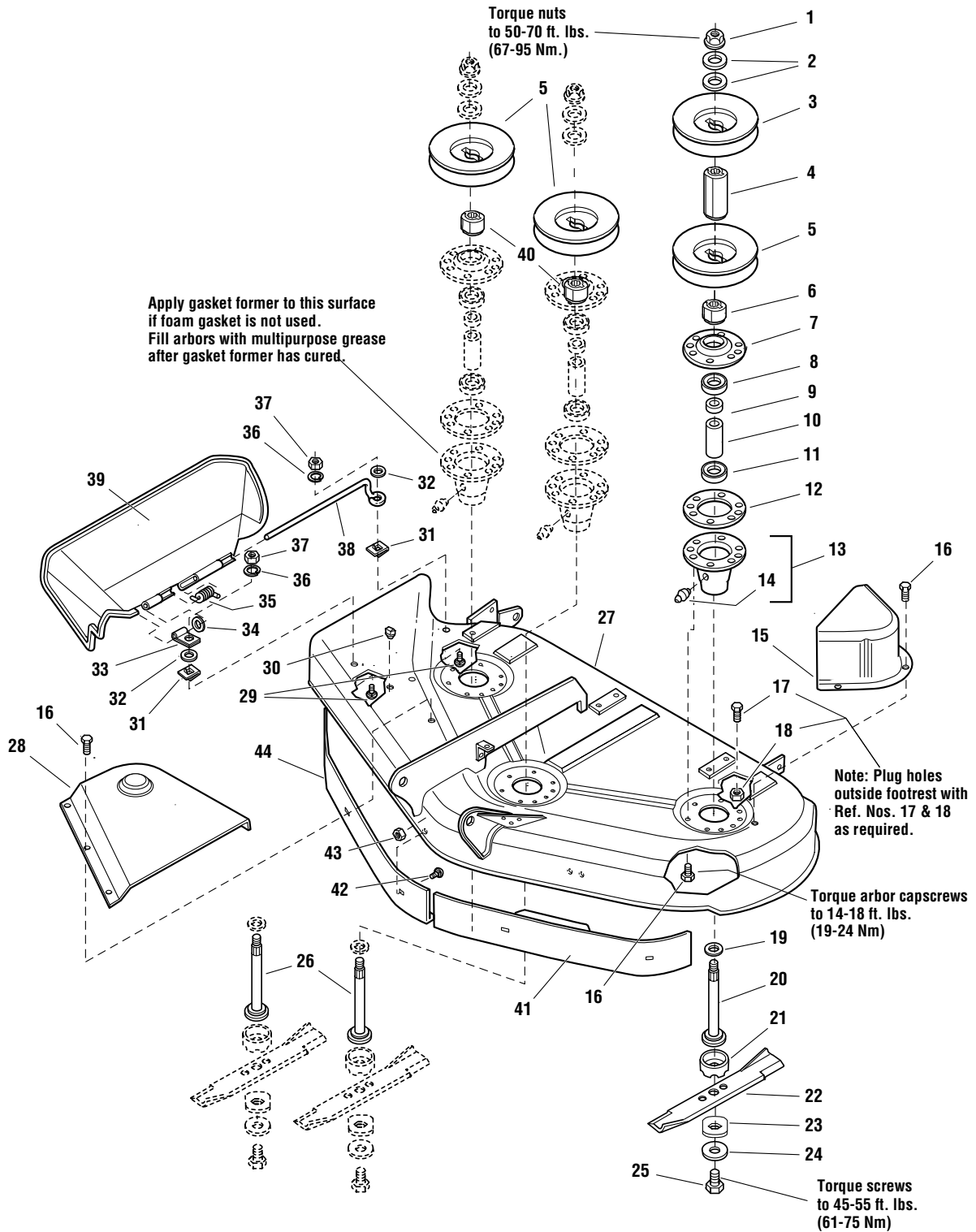
1694178 - 44" Mower

1694822 - 44" Mower

44" Mower Deck - Housing, Arbors & Blades CE

986089

NOTE: Unless noted otherwise, use the standard hardware torque specification chart.



The above parts group applies to the following Mfg. Nos.:

1694178 - 44" Mower

1694822 - 44" Mower

44" Mower Deck - Housing, Arbors & Blades CE

REF NO	PART NO.	QTY.	DESCRIPTION
44	1716878A	1	BAFFLE, Anti-Blowout, RH (CE Only)

Footnotes

The above parts group applies to the following Mfg. Nos.:

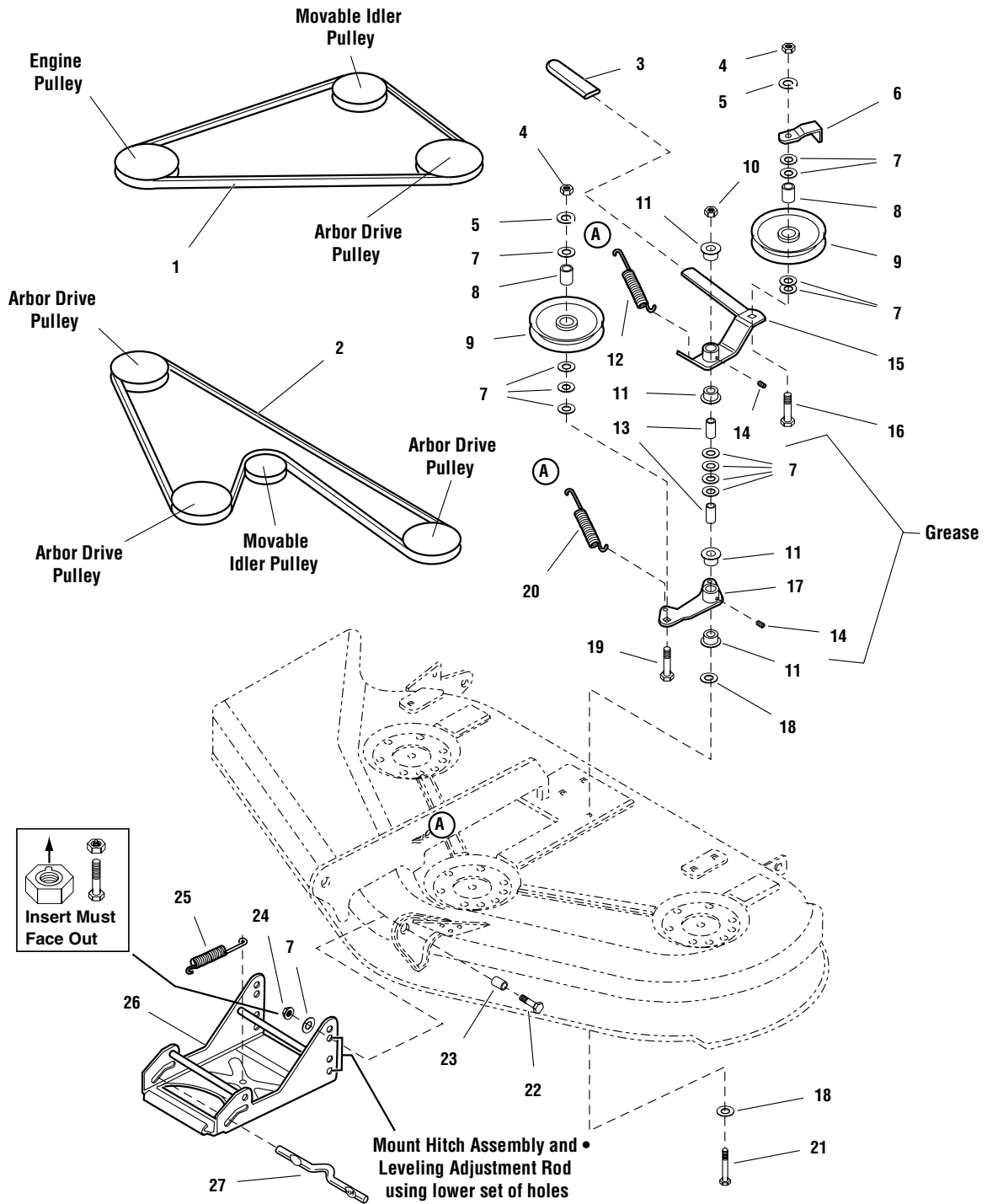
1694178 - 44" Mower

1694822 - 44" Mower

50" Mower Deck - Clutch & Support

984271C

NOTE: Unless noted otherwise, use the standard hardware torque specification chart.



The above parts group applies to the following Mfg. Nos.:

- 1694174 - 50" Mower
- 1694473 - 50" Mower
- 1694474 - 50" Mower

50" Mower Deck - Clutch & Support

REF NO	PART NO.	QTY.	DESCRIPTION
1	1707740	1	V-BELT, Mower Drive
2	1703836	1	V-BELT, Arbor Drive
3	1665835	1	GRIP, Lever
4	1916950	2	NUT, Hex, 3/8-16
5	1916965	2	WASHER, Lock, 3/8
6	1677135A	1	BELT STOP, Idler
7	1924940	14	WASHER, 3/8
8	1716553	1	HUB, 25/64 x 3/4 x 63/64, Powder Metal
9	1685150	2	PULLEY, Idler, (Includes Ref. No. 8)
10	1960339	1	NUT, Hex Flange, 3/8-16, MAC Lock Large, Black
11	1676148	4	BUSHING, 5/8 x 3/4 x 13/32, Powder Metal
12	1715435	1	SPRING
13	1674669A	2	SPACER, 25/64 x 5/8 x 1-1/8, Case Hardened
14	2812808	2	GREASE FITTING
15	1704658	1	LEVER ASSEMBLY, Idler, (Includes Ref. Nos. 11 & 14)
16	1960315	1	CARRIAGE BOLT, 3/8-16 x 2
17	1718561	1	LEVER ASSEMBLY, Idler Arm, (Includes Ref. Nos. 11 & 14)
18	1924356	2	WASHER, 3/8, Black
19	1931352	1	CARRIAGE BOLT, 3/8-16 x 1-1/2
20	1656936	1	SPRING
21	1923938	1	CAPSCREW, Hex Head, 3/8-16 x 3-1/2
22	1921968	2	CAPSCREW, Hex Head, 3/8-16 x 1-3/8
23	2157081	2	SPACER, 3/8 x 3/4 x 1/2
24	2860641	2	NUT, Hex Aluminum Insert Lock, 3/8-16
25	2156302	1	SPRING
26	1707432A	1	HITCH ASSEMBLY
27	1715759	1	ROD, Latch

Footnotes

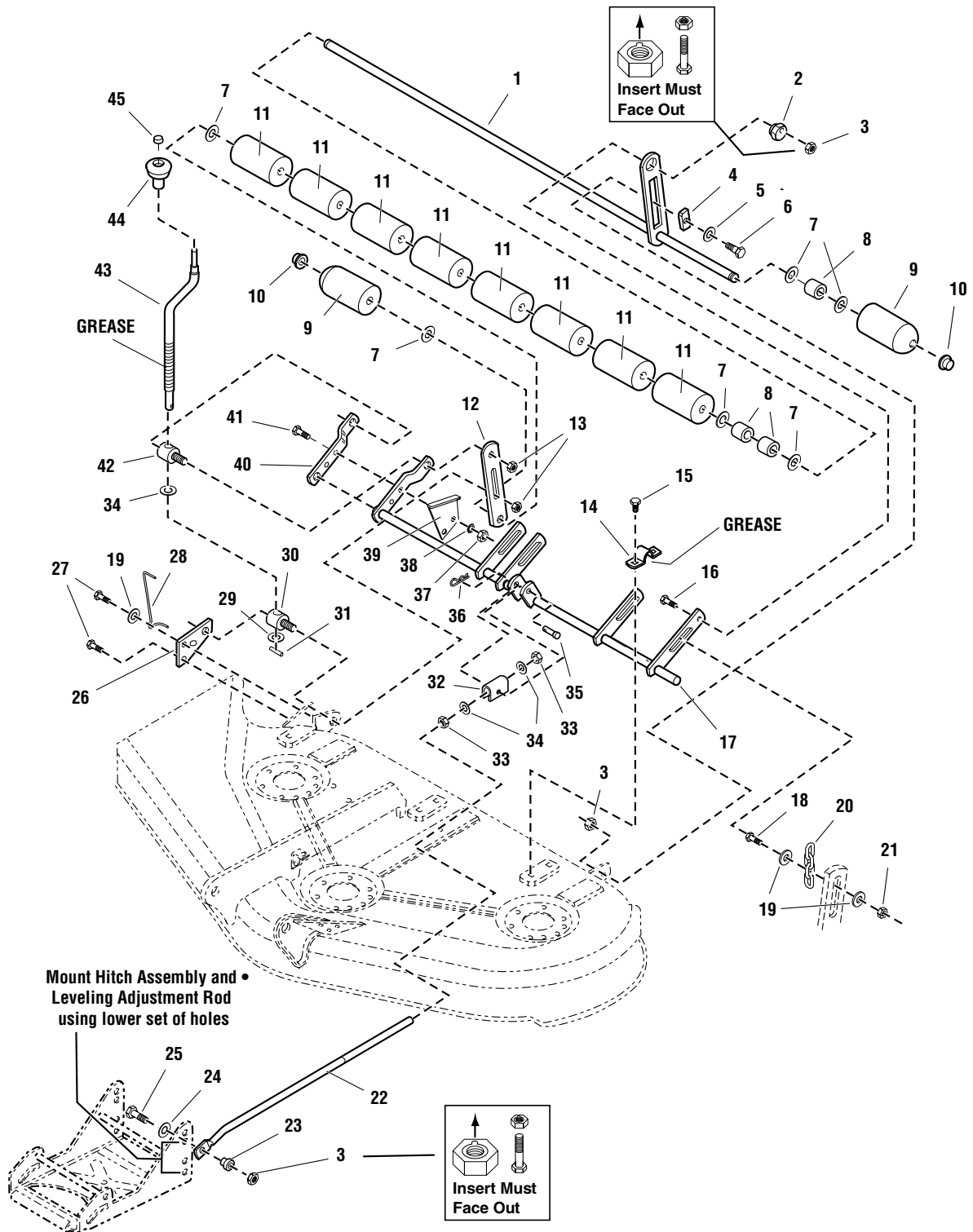
The above parts group applies to the following Mfg. Nos.:

1694174 - 50" Mower
1694473 - 50" Mower
1694474 - 50" Mower

50" Mower Deck - Height Adjustment & Roller Bar

986020

NOTE: Unless noted otherwise,
use the standard hardware torque
specification chart.



The above parts group applies to the following Mfg. Nos.:

1694174 - 50" Mower

50" Mower Deck - Height Adjustment & Roller Bar

REF NO	PART NO.	QTY.	DESCRIPTION
1	1686687	1	SHAFT ASSEMBLY, Roller, 50", (Includes Ref. No. 10)
2	1704082	1	NUT, Adjuster
3	2860641	3	NUT, Hex Aluminum Insert Lock, 3/8-16
4	1677507	1	SLIDE
5	1924361	1	WASHER, Plain, 1/2
6	2172622	1	BOLT, Shoulder, 3/8-16
7	1924366	8	WASHER, Plain, 1 1/4
8	1709195	3	SPACER, 21/32 x 5/32 x 5/8
9	1722036	2	ROLLER, Rounded End
10	1960520	2	NUT, Push
11	1668513	8	ROLLER
12	1704074A	1	BAR, Roller
13	1930644	2	NUT, Hex Flange, 2 Way Lock, 1/2-13
14	1665374A	3	STRAP, Mower Arm Assembly
15	1664847	6	CAPSCREW, Hex Head Taptite, 5/16 -18 x 3/4
16	1931352	1	CARRIAGE BOLT, 3/8-16 x 1-1/2
17	1718828A	1	ARM ASSEMBLY, Mower
18	1930570	2	CAPSCREW, Hex Head, 5/16-18 x 1-1/4, G8, 1/2 Thread
19	1919381	5	WASHER, 5/16, Black
20	1708088A	2	CHAIN, 4 Link, 6 3/32 Long
21	1919438	2	NUT, Hex Lock ESNA Light, 5/16-18, Black
22	1722995	1	ROD, Adjustment
23	1706644	1	SPACER, 3/8 x 3/4 x 15/16
24	1924940	1	WASHER, 3/8
25	1922606	1	CAPSCREW, Hex Head, 3/8-16 x 1-3/4
26	1704080A	1	PLATE, Mower Support
27	1931202	2	CAPSCREW, Hex Head Taptite, 5/16-18 x 1-1/4
28	1704114	1	INDICATOR, Cutting Height
29	1704097	1	WASHER, Detent
30	1704086	1	TRUNNION
31	2816001	1	PIN, Roll, 1
32	1706645A	1	TRUNNION
33	1915726	2	NUT, Hex, Jam, 1/2-13
34	1960170	1	WASHER, 11/32
35	2118053	1	PIN, Clevis
36	1960074	1	CLIP, Hair Pin
37	1917372	2	NUT, Hex, 5/16-18
38	1917356	2	WASHER, Lock, 5/16
39	1704116A	1	BRACKET, Cutting Height
40	1704083A	1	ARM, Rear, Mower, RH
41	1921977	2	CAPSCREW, Hex Head, 5/16-18 x 1-1/4
42	1704087	1	TRUNNION, Threaded
43	1719901	1	CRANK, Cutting Height
44	1714084	1	KNOB, Height Crank

Footnotes

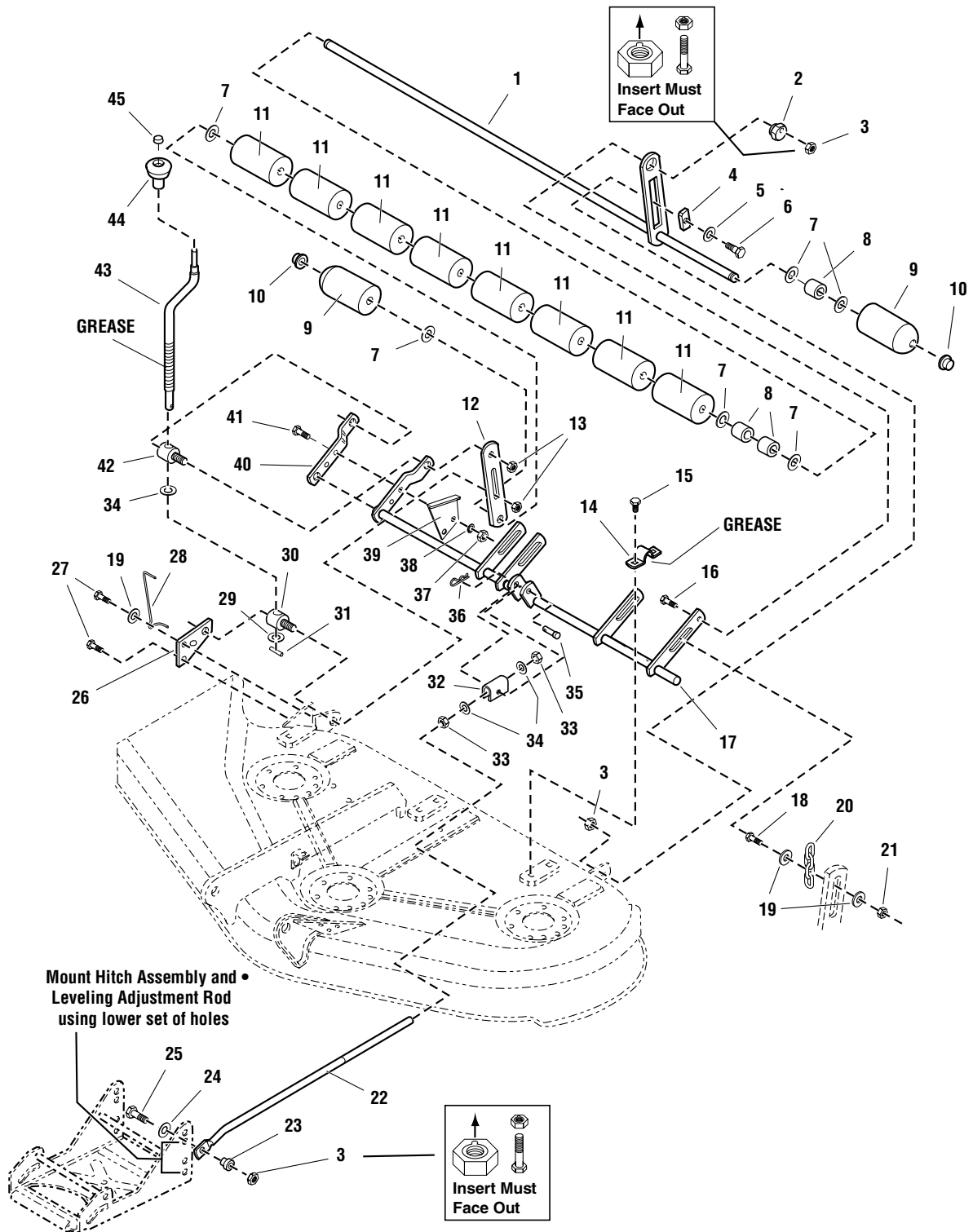
The above parts group applies to the following Mfg. Nos.:

1694174 - 50" Mower

50" Mower Deck - Height Adjustment & Roller Bar

986020

NOTE: Unless noted otherwise,
use the standard hardware torque
specification chart.



The above parts group applies to the following Mfg. Nos.:

1694174 - 50" Mower

50" Mower Deck - Height Adjustment & Roller Bar

REF NO	PART NO.	QTY.	DESCRIPTION
45	1960093	1	PAL NUT

Footnotes

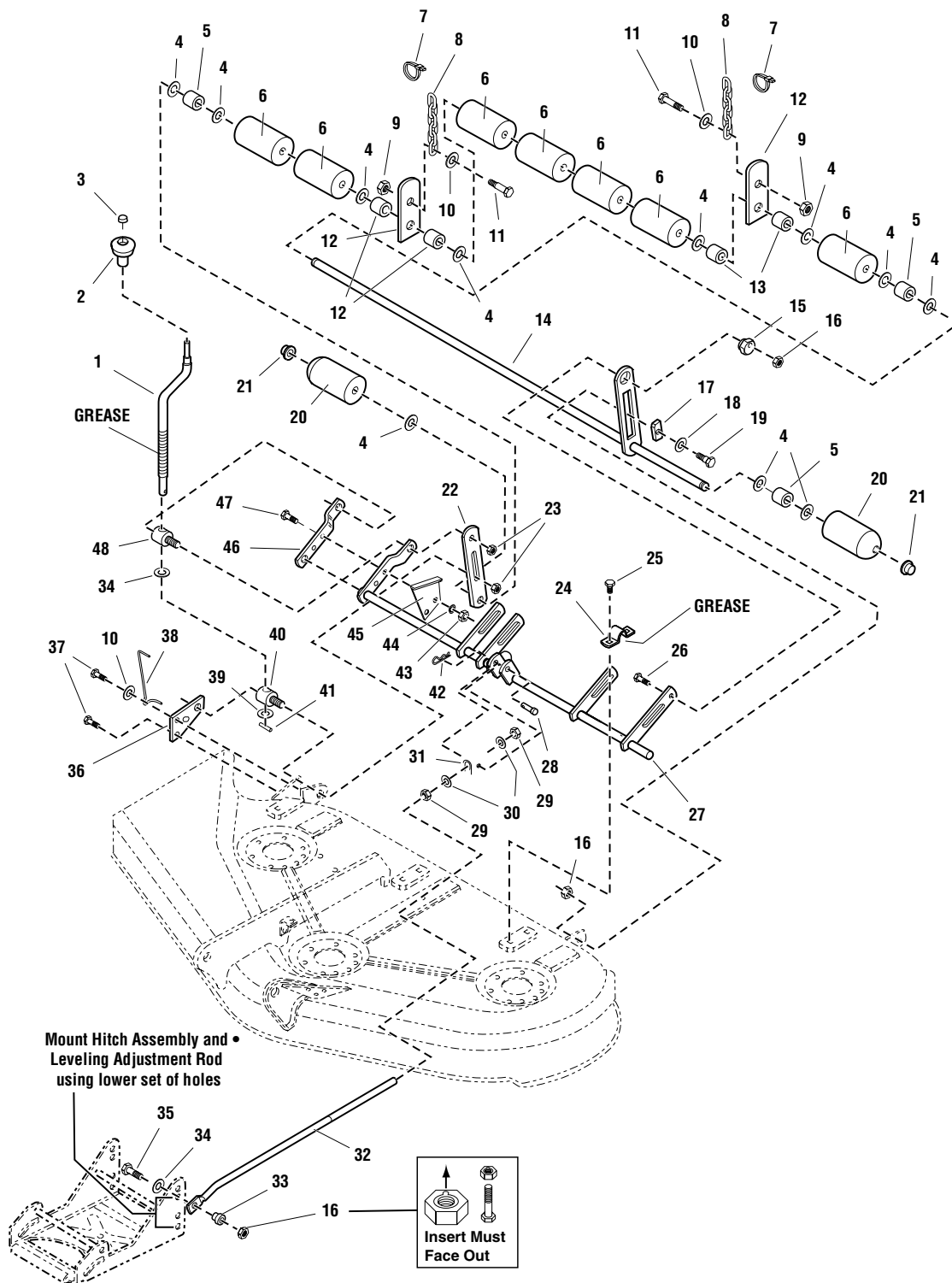
The above parts group applies to the following Mfg. Nos.:

1694174 - 50" Mower

50" Mower Deck - Height Adjustment & Roller Bar

986421

NOTE: Unless noted otherwise,
use the standard hardware torque
specification chart.



The above parts group applies to the following Mfg. Nos.:

1694473 - 50" Mower

1694474 - 50" Mower

50" Mower Deck - Height Adjustment & Roller Bar

REF NO	PART NO.	QTY.	DESCRIPTION
1	1719901	1	CRANK, Cutting Height
2	1714084	1	KNOB, Height Crank
3	1960093	1	PAL NUT
4	1924366	8	WASHER, Plain, 1 1/4
5	1709195	3	SPACER, 21/32 x 5/32 x 5/8
6	1668513	8	ROLLER
7	2825094	2	TIE, Self Locking
8	1708266A	2	CHAIN, 6 Link, 8 13/32 Long
9	1919438	2	NUT, Hex Lock ESNA Light, 5/16-18, Black
10	1919381	5	WASHER, 5/16, Black
11	1930570	2	CAPSCREW, Hex Head, 5/16-18 x 1-1/4, G8, 1/2 Thread
12	1725640A	2	LINK, Lift, Roller Shaft
13	1602946	2	SPACER
14	1686687	1	SHAFT ASSEMBLY, Roller, 50", (Includes Ref. No. 10)
15	1704082	1	NUT, Adjuster
16	2860641	3	NUT, Hex Aluminum Insert Lock, 3/8-16
17	1677507	1	SLIDE
18	1924361	1	WASHER, Plain, 1/2
19	2172622	1	BOLT, Shoulder, 3/8-16
20	1722036	2	ROLLER, Rounded End
21	1960520	2	NUT, Push
22	1704074A	1	BAR, Roller
23	1930644	2	NUT, Hex Flange, 2 Way Lock, 1/2-13
24	1665374A	3	STRAP, Mower Arm Assembly
25	1664847	6	CAPSCREW, Hex Head Taptite, 5/16 -18 x 3/4
26	1931352	1	CARRIAGE BOLT, 3/8-16 x 1-1/2
27	1718828A	1	ARM ASSEMBLY, Mower
28	2118053	1	PIN, Clevis
29	1915726	2	NUT, Hex, Jam, 1/2-13
30	1960170	1	WASHER, 11/32
31	1706645A	1	TRUNNION
32	1722995	1	ROD, Adjustment
33	1706644	1	SPACER, 3/8 x 3/4 x 15/16
34	1924940	1	WASHER, 3/8
35	1922606	1	CAPSCREW, Hex Head, 3/8-16 x 1-3/4
36	1704080A	1	PLATE, Mower Support
37	1931202	2	CAPSCREW, Hex Head Taptite, 5/16-18 x 1-1/4
38	1704114	1	INDICATOR, Cutting Height
39	1704097	1	WASHER, Detent
40	1704086	1	TRUNNION
41	2816001	1	PIN, Roll, 1
42	1960074	1	CLIP, Hair Pin
43	1917372	2	NUT, Hex, 5/16-18
44	1917356	2	WASHER, Lock, 5/16

Footnotes

The above parts group applies to the following Mfg. Nos.:

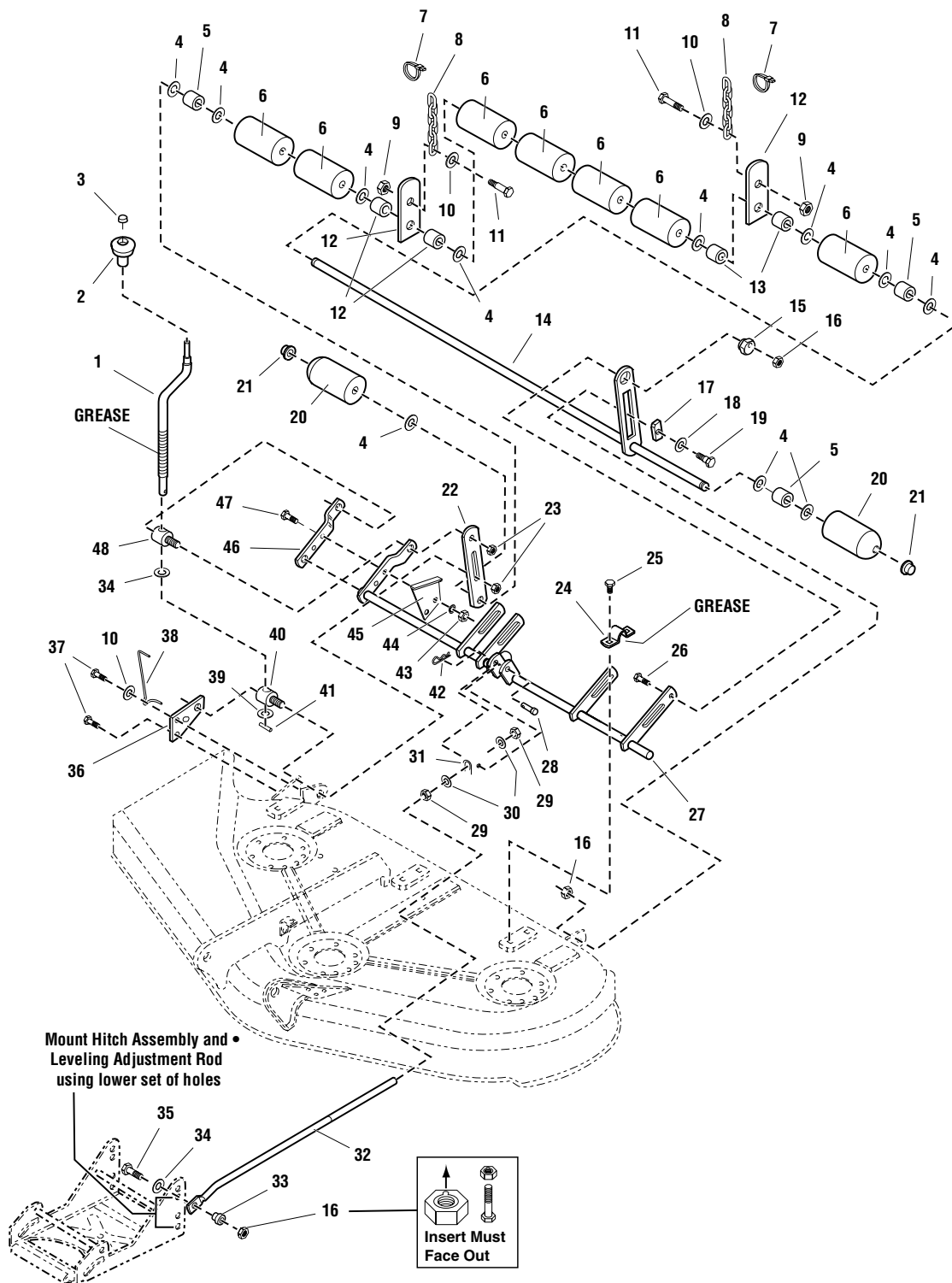
1694473 - 50" Mower

1694474 - 50" Mower

50" Mower Deck - Height Adjustment & Roller Bar

986421

NOTE: Unless noted otherwise,
use the standard hardware torque
specification chart.



The above parts group applies to the following Mfg. Nos.:

1694473 - 50" Mower

1694474 - 50" Mower

50" Mower Deck - Height Adjustment & Roller Bar

REF NO	PART NO.	QTY.	DESCRIPTION
45	1704116A	1	BRACKET, Cutting Height
46	1704083A	1	ARM, Rear, Mower, RH
47	1921977	2	CAPSCREW, Hex Head, 5/16-18 x 1-1/4
48	1704087	1	TRUNNION, Threaded

Footnotes

The above parts group applies to the following Mfg. Nos.:

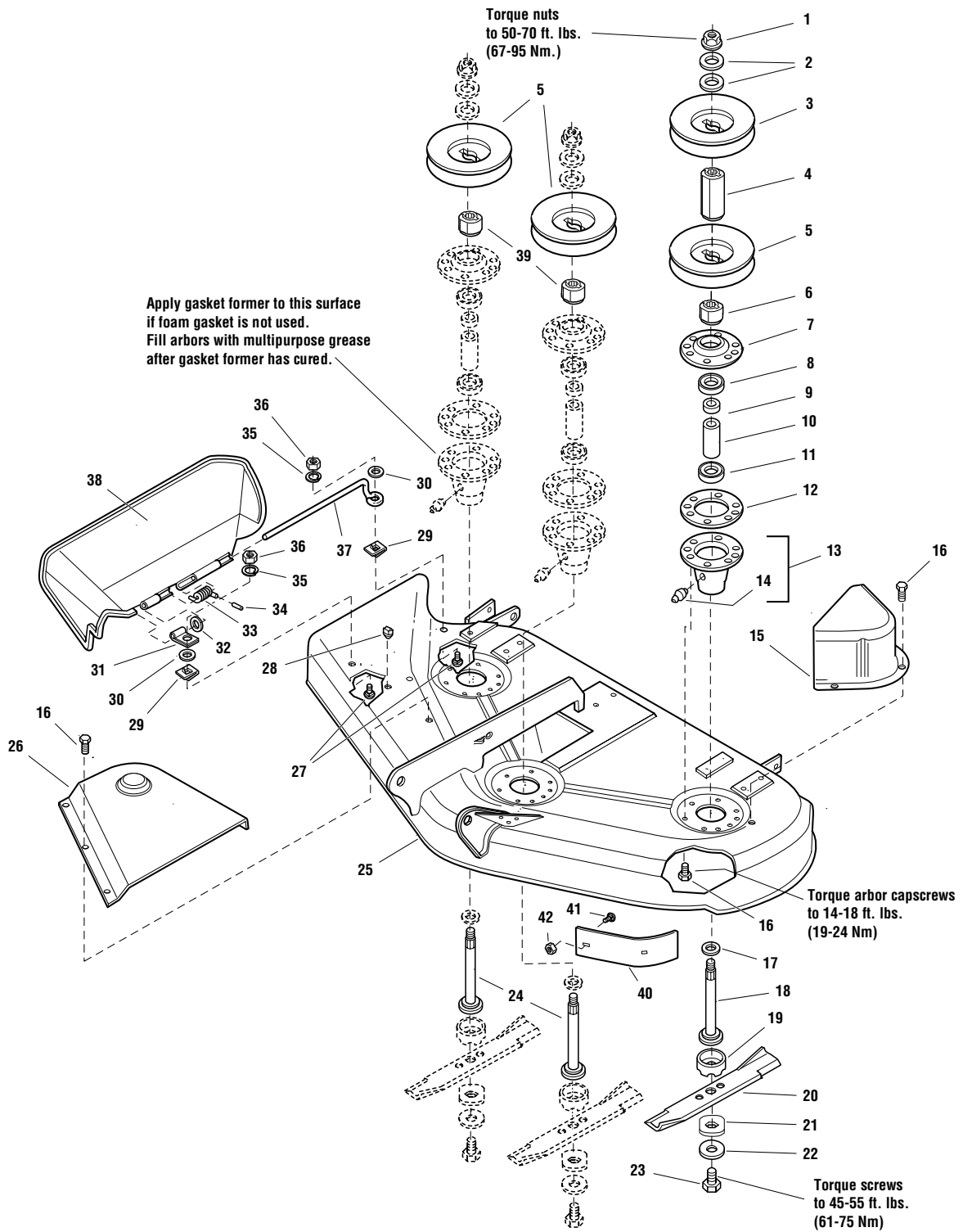
1694473 - 50" Mower

1694474 - 50" Mower

50" Mower Deck - Housing, Arbors & Blades

985972

NOTE: Unless noted otherwise, use the standard hardware torque specification chart.



The above parts group applies to the following Mfg. Nos.:

1694174 - 50" Mower

50" Mower Deck - Housing, Arbors & Blades

REF NO	PART NO.	QTY.	DESCRIPTION
1	1714419	3	NUT, Hex Flange, 9/16-18
2	1713675	6	WASHER, Bellevilled, 9/16
3	1713161	1	PULLEY
4	1713158	1	HUB, Double Pulley
5	1713098	3	PULLEY
6	1713533	1	HUB, Double Pulley
7	1655729A	3	COVER, Arbor Housing
8	2108202	3	BEARING, Ball, 3/4 x 1-3/4 x 5/8
9	1715724	3	SPACER, 21/32 x 3/4 x 5/8
10	1715723	3	SPACER, 11/16 x 5/32 x 2-11/16
11	1705897	3	BEARING, Ball, 11/16 x 1-9/16 x 15/32
12	1707335	3	GASKET, Foam
13	1713338	3	ARBOR HOUSING ASSEMBLY, (Includes Ref. No. 14)
14	1704314	3	FITTING, Grease
15	1720560A	1	COVER, Arbor
16	1664847	26	CAPSCREW, Hex Head Taptite, 5/16-18 x 3/4
17	1713619	3	WASHER, Bellevilled, 9/16, Black
18	1713612	1	SHAFT, Arbor (LH)
19	1713196	3	SHIELD, Grass, Lower
20	1708229A	3	BLADE, Mower, 18-1/8
21	1713089	3	WASHER, Hex, 11/16 x 2
22	1656916	3	WASHER, Spring 15/32, Black
23	2823471	3	CAPSCREW, Hex Head, 7/16-14 x 1
24	1713195	2	SHAFT, Arbor (Center & RH)
25	1685495	1	MOWER HOUSING ASSEMBLY, 50" Mower (Orange)
25	1687156	1	MOWER HOUSING ASSEMBLY, 50" Mower (Red)
26	1703601	1	COVER, Arbor
27	1931318	2	CARRIAGE BOLT, 1/4-20 x 7/8
28	1705115	1	PLUG, Hole
29	1960518	2	NUT, Push
30	1960353	2	WASHER, 1/4, Black
31	1704873	1	CLAMP
32	1919326	1	WASHER, 5/16, Black
33	1723938	1	SPRING
34	1723323	1	CAP, Spring End
35	1916964	2	WASHER, Lock, 1/4
36	1916622	2	NUT, Hex, 1/4-20
37	1706709A	1	ROD, Deflector, Front
38	1705449	1	DEFLECTOR, Plastic
39	1713197	2	HUB, Pulley, Center & RH
40	1724538A	1	BAFFLE, Anti-Blowout
41	1927557	2	NUT, Hex, Whizlock, 5/16-18
42	1931333	2	CARRIAGE BOLT, 5/16-18 x 3/4

Footnotes

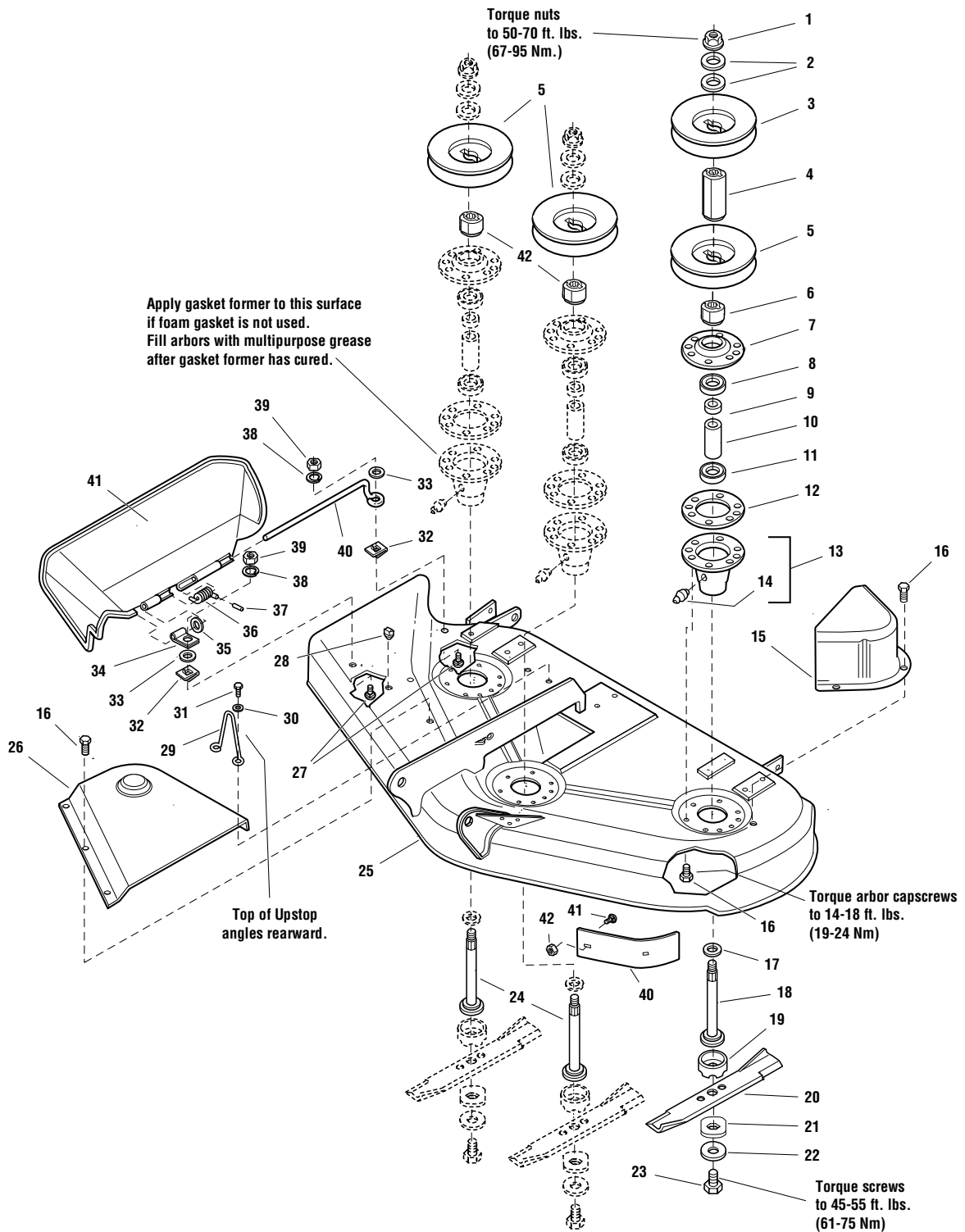
The above parts group applies to the following Mfg. Nos.:

1694174 - 50" Mower

50" Mower Deck - Housing, Arbors & Blades

986429

NOTE: Unless noted otherwise, use the standard hardware torque specification chart.



The above parts group applies to the following Mfg. Nos.:

- 1694473 - 50" Mower
- 1694474 - 50" Mower

50" Mower Deck - Housing, Arbors & Blades

REF NO	PART NO.	QTY.	DESCRIPTION
1	1714419	3	NUT, Hex Flange, 9/16-18
2	1713675	6	WASHER, Bellevilled, 9/16
3	1713161	1	PULLEY
4	1713158	1	HUB, Double Pulley
5	1713098	3	PULLEY
6	1713533	1	HUB, Double Pulley
7	1655729A	3	COVER, Arbor Housing
8	2108202	3	BEARING, Ball, 3/4 x 1-3/4 x 5/8
9	1715724	3	SPACER, 21/32 x 3/4 x 5/8
10	1715723	3	SPACER, 11/16 x 5/32 x 2-11/16
11	1705897	3	BEARING, Ball, 11/16 x 1-9/16 x 15/32
12	1707335	3	GASKET, Foam
13	1713338	3	ARBOR HOUSING ASSEMBLY, (Includes Ref. No. 14)
14	1704314	3	FITTING, Grease
15	1720560A	1	COVER, Arbor
16	1664847	26	CAPSCREW, Hex Head Taptite, 5/16-18 x 3/4
17	1713619	3	WASHER, Bellevilled, 9/16, Black
18	1713612	1	SHAFT, Arbor (LH)
19	1713196	3	SHIELD, Grass, Lower
20	1708229A	3	BLADE, Mower, 18-1/8
21	1713089	3	WASHER, Hex, 11/16 x 2
22	1656916	3	WASHER, Spring 15/32, Black
23	2823471	3	CAPSCREW, Hex Head, 7/16-14 x 1
24	1713195	2	SHAFT, Arbor (Center & RH)
25	1685495	1	MOWER HOUSING ASSEMBLY, 50" Mower (Orange)
25	1687156	1	MOWER HOUSING ASSEMBLY, 50" Mower (Red)
26	1703601	1	COVER, Arbor
27	1931318	2	CARRIAGE BOLT, 1/4-20 x 7/8
28	1705115	1	PLUG, Hole
29	1704098	1	UPSTOP
30	1611705	2	SPACER, W x 5/8 x L
31	1931202	2	CAPSCREW, Hex Washer Head Taptite, 5/16-18 x 1-1/4
32	1960518	2	NUT, Push
33	1960353	2	WASHER, 1/4, Black
34	1704873	1	CLAMP
35	1919326	1	WASHER, 5/16, Black
36	1723738	1	SPRING
37	1723323	1	CAP, Spring End
38	1916964	2	WASHER, Lock, 1/4
39	1916622	2	NUT, Hex, 1/4-20
40	1706709A	1	ROD, Deflector, Front
41	1705449	1	DEFLECTOR, Plastic
42	1713197	2	HUB, Pulley, Center & RH
43	1724538A	1	BAFFLE, Anti-Blowout

Footnotes

The above parts group applies to the following Mfg. Nos.:

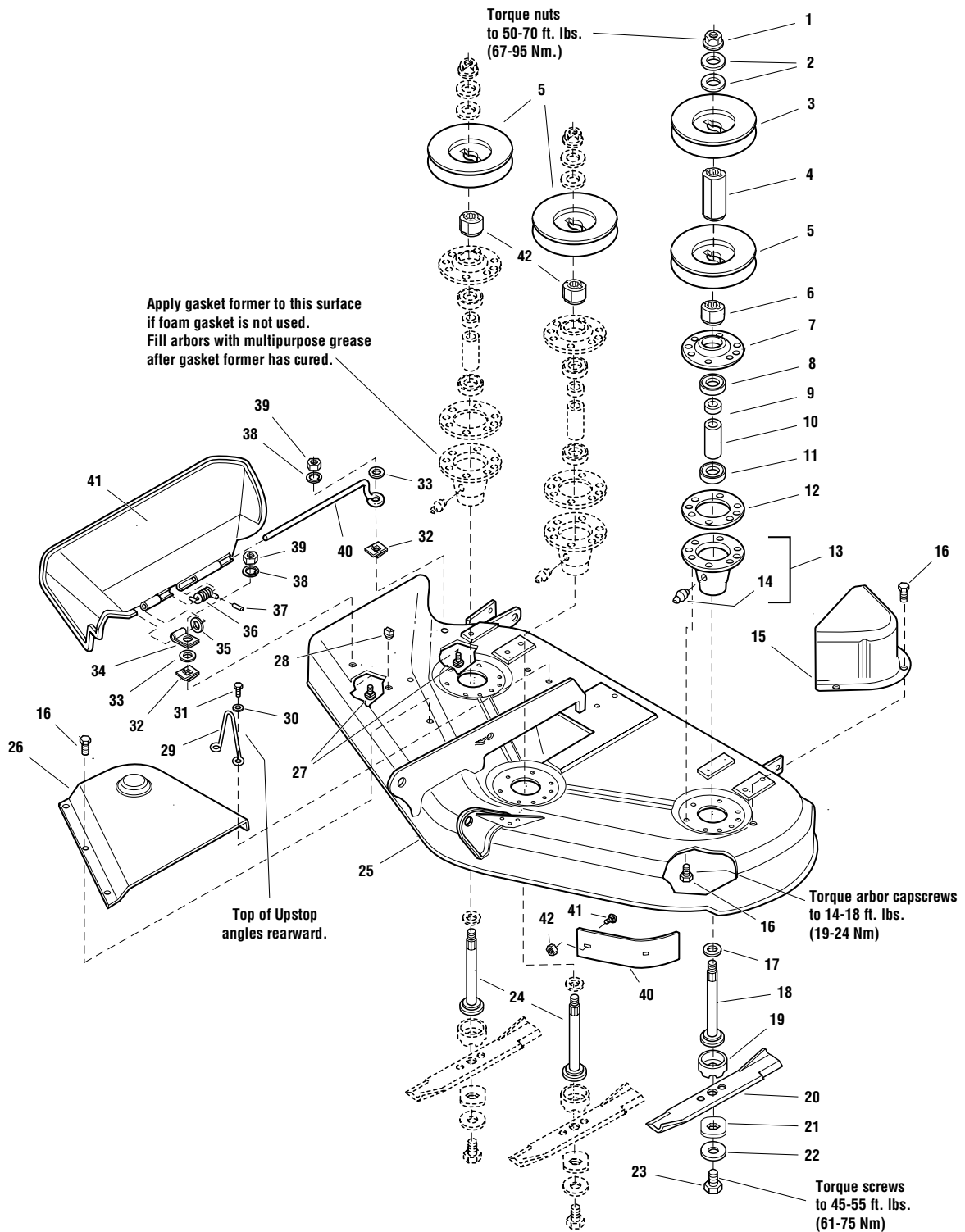
1694473 - 50" Mower

1694474 - 50" Mower

50" Mower Deck - Housing, Arbors & Blades

986429

NOTE: Unless noted otherwise, use the standard hardware torque specification chart.



The above parts group applies to the following Mfg. Nos.:

- 1694473 - 50" Mower
- 1694474 - 50" Mower

50" Mower Deck - Housing, Arbors & Blades

REF NO	PART NO.	QTY.	DESCRIPTION
44	1927557	2	NUT, Hex, Whizlock, 5/16-18
45	1931333	2	CARRIAGE BOLT, 5/16-18 x 3/4

Footnotes

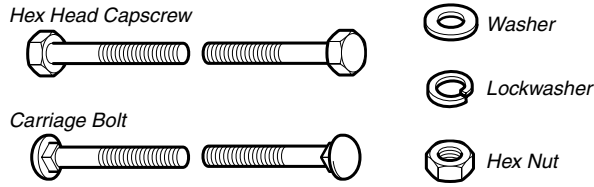
The above parts group applies to the following Mfg. Nos.:

1694473 - 50" Mower

1694474 - 50" Mower

Hardware Identification & Torque Specifications

Common Hardware Types

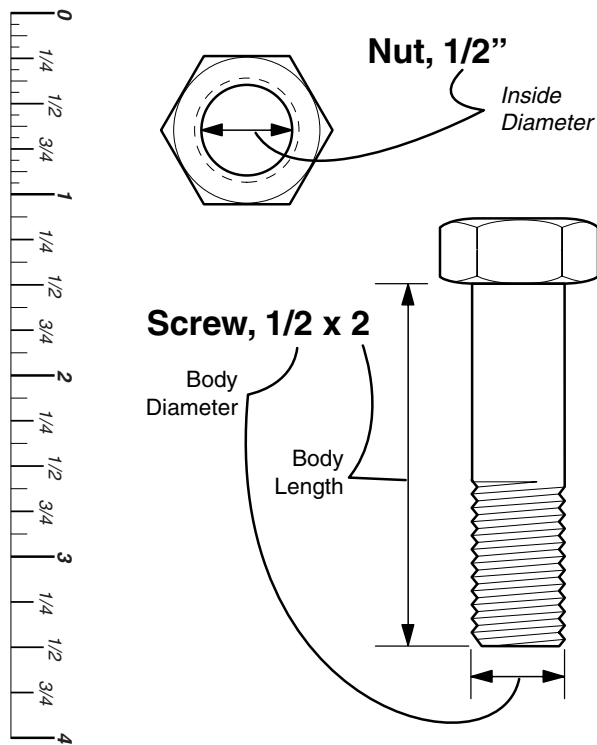


Standard Hardware Sizing

When a washer or nut is identified as 1/2", this is the *Nominal size*, meaning the *inside diameter* is 1/2 inch; if a second number is present it represents the *threads per inch*

When bolt or capscrew is identified as 1/2 - 16 x 2", this means the *Nominal size*, or *body diameter* is 1/2 inch; the second number represents the *threads per inch* (16 in this example, and the final number is the *body length* of the bolt or screw (in this example 2 inches long).

The guides and ruler furnished below are designed to help you select the appropriate hardware and tools.



Torque Specification Chart						
FOR STANDARD MACHINE HARDWARE (Tolerance ± 20%)						
Hardware Grade	No Marks SAE Grade 2		SAE Grade 5		SAE Grade 8	
	in/lbs ft/lbs	Nm.	in/lbs ft/lbs	Nm.	in/lbs ft/lbs	Nm.
8-32	19	2.1	30	3.4	41	4.6
8-36	20	2.3	31	3.5	43	4.9
10-24	27	3.1	43	4.9	60	6.8
10-32	31	3.5	49	5.5	68	7.7
1/4-20	66	7.6	8	10.9	12	16.3
1/4-28	76	8.6	10	13.6	14	19.0
5/16-18	11	15.0	17	23.1	25	34.0
5/16-24	12	16.3	19	25.8	27	34.0
3/8-16	20	27.2	30	40.8	45	61.2
3/8-24	23	31.3	35	47.6	50	68.0
7/16-14	30	40.8	50	68.0	70	95.2
7/16-20	35	47.6	55	74.8	80	108.8
1/2-13	50	68.0	75	102.0	110	149.6
1/2-20	55	74.8	90	122.4	120	163.2
9/16-12	65	88.4	110	149.6	150	204.0
9/16-18	75	102.0	120	163.2	170	231.2
5/8-11	90	122.4	150	204.0	220	299.2
5/8-18	100	136	180	244.8	240	326.4
3/4-10	160	217.6	260	353.6	386	525.0
3/4-16	180	244.8	300	408.0	420	571.2
7/8-9	140	190.4	400	544.0	600	816.0
7/8-14	155	210.8	440	598.4	660	897.6
1-8	220	299.2	580	788.8	900	1,244.0
1-12	240	326.4	640	870.4	1,000	1,360.0

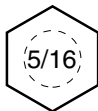
NOTES

- These torque values are to be used for all hardware excluding: locknuts, self-tapping screws, thread forming screws, sheet metal screws and socket head setscrews.
- Recommended seating torque values for locknuts:
 - for prevailing torque locknuts - use 65% of grade 5 torques.
 - for flange whizlock nuts and screws - use 135% of grade 5 torques.
- Unless otherwise noted on assembly drawings, all torque values must meet this specification.

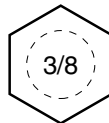
Wrench & Fastener Size Guide



1/4" Bolt or Nut
Wrench—7/16"



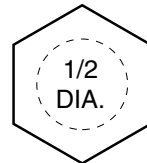
5/16" Bolt or Nut
Wrench—1/2"



3/8" Bolt or Nut
Wrench—9/16"



7/16" Bolt or Nut
Wrench (Bolt)—5/8"
Wrench (Nut)—11/16"



1/2" Bolt or Nut
Wrench—3/4"

Simplicity

MANUFACTURING, INC.
500 N. Spring Street / PO Box 997
Port Washington, WI 53074-0997 USA

www.simplicitymfg.com

© Copyright 2005 Simplicity Manufacturing, Inc.
All Rights Reserved. Printed In USA.

