



# Parts Manual



## BROADMOOR / 1600 / 2600 SERIES HAND CONTROL LAWN TRACTORS & MOWER DECKS

### 16HP HAND CONTROL TRACTORS

Mfg. No.	Description
1693839	Broadmoor, 16 HP Hydro
1693841	Broadmoor, 16 HP Hydro (Export)
1693843	1615HC, 16 HP Hydro
1693845	2615HC, 16 HP Hydro

### 17HP HAND CONTROL TRACTORS

Mfg. No.	Description
1693694	Broadmoor, 17 HP Hydro
1693696	Broadmoor, 17 HP Hydro (Export)
1693698	1617HC, 17 HP Hydro
1693700	2617HC, 17 HP Hydro

### MOWER DECKS

Mfg. No.	Description
1692684	44" Mower Deck
1692685	44" Mower Deck
1693171	44" Mower Deck (Export)
1694062	44" Mower Deck



---

MANUFACTURING, INC.

500 N Spring Street / PO Box 997  
Port Washington, WI 53074-0997 USA

© Copyright 2000 Simplicity Manufacturing, Inc.  
All Rights Reserved. Printed In USA.

**This Manual Covers The Following Products:**

<b>16HP HAND CONTROL LAWN TRACTORS</b>		<b>PAGES</b>
1693839	16 HP Hydro	2, 4, 6, 10, 12, 14
1693841	16 HP Hydro (Export)	16, 18, 20, 22, 24
1693843	1615HC, 16 HP Hydro	26, 28, 30, 32, 34
1693845	2615HC, 16 HP Hydro	

<b>17HP HAND CONTROL LAWN TRACTORS</b>		<b>PAGES</b>
1693694	17 HP Hydro	2, 4, 8, 10, 12, 14
1693696	17 HP Hydro (Export)	16, 18, 20, 22, 24
1693698	1617HC, 17 HP Hydro	26, 28, 30, 32, 34
1693700	2617HC, 17 HP Hydro	

<b>44" MOWER DECKS</b>		<b>PAGES</b>
1692684	44" Mower Deck	36, 38, 40
1692685	44" Mower Deck	
1693171	44" Mower Deck (Export)	
1694062	44" Mower Deck	

<b>ANTI-BLOWOUT BAFFLES (Optional)</b>		<b>PAGES</b>
1696690	44" Anti-Blowout Baffles	42

**LAWN TRACTOR COMPONENTS**

Frame & Front Axle Group . . . . .	2
Steering Group . . . . .	4
Engine & Electric Clutch Group - 17 HP B&S . . . . .	6
Engine & Electric Clutch Group - 16 HP Kohler . . . . .	8
Transmission Group . . . . .	10
Transmission SERVICE PARTS – Tuff Torq K51 Transaxle . . . . .	12
Foot Controls Group . . . . .	16
Hand Controls Group . . . . .	18
Hood, Grille & Dash Group . . . . .	20
Seat, Deck & Fuel Tank Group . . . . .	22
Electrical Group - Main Harness Lower . . . . .	24
Electrical Group - Main Harness Upper . . . . .	26
Front Wheels & Tires Group . . . . .	28
Rear Wheels & Tires Group . . . . .	30
Decal Group - Safety & Common . . . . .	32
Decal Group - Brand & Model . . . . .	34

**MOWER DECK COMPONENTS**

44" Mower Deck - Housing, Arbors & Blades . . . . .	36
44" Mower Deck - Belt, Pulley & Hitch . . . . .	38
44" Mower Deck - Height Adjustment & Rollers . . . . .	40

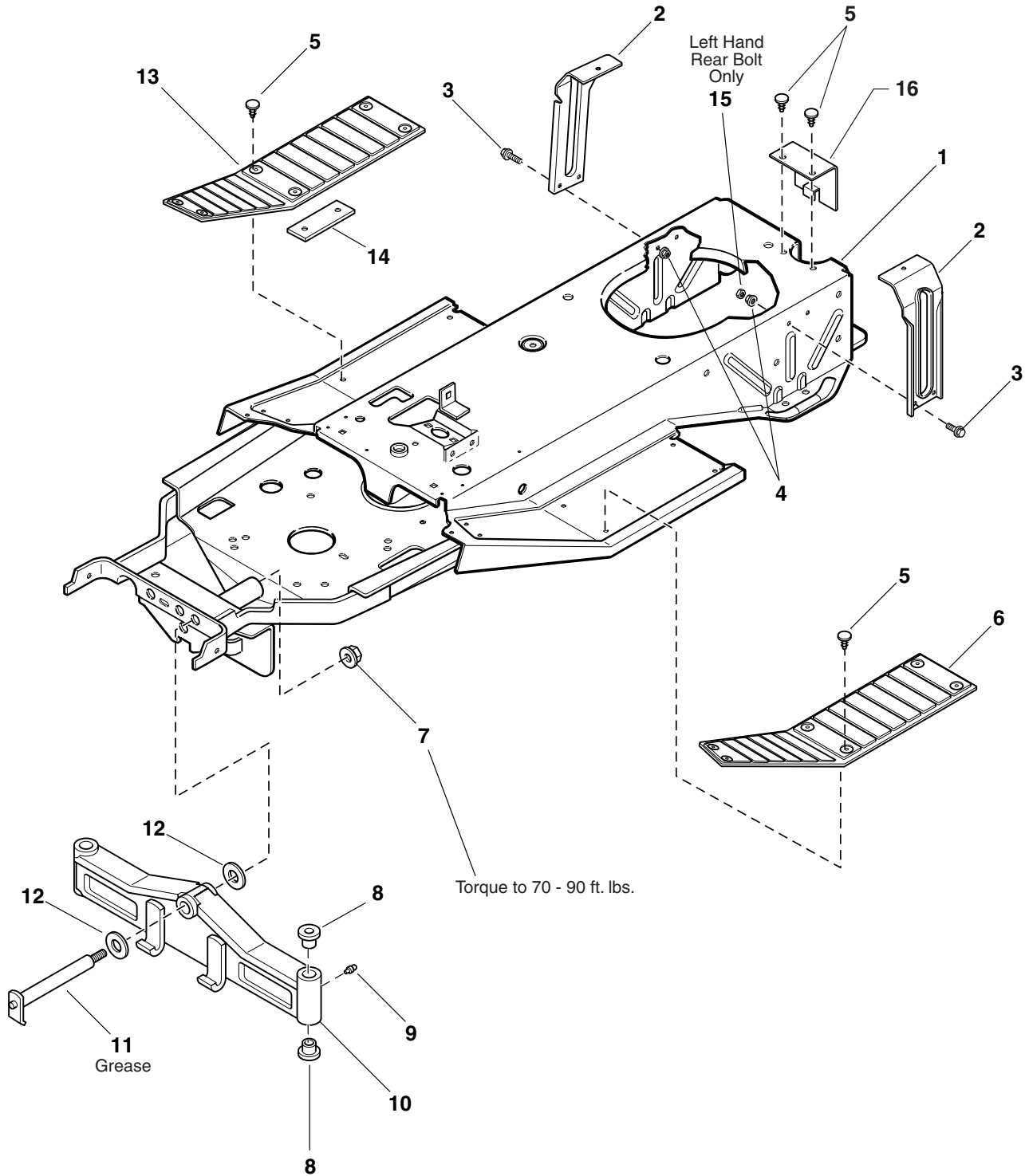
**REFERENCE INFORMATION**

Part Number Index . . . . .	44
Torque Specification Chart . . . . .	Inside Back Cover

# Frame & Front Axle Group

985705

**NOTE:** Unless noted otherwise,  
use the standard hardware torque  
specification chart.



The above parts group applies to the following Mfg. Nos.:

1693694 Broadmoor 17HP Hydro	1693700 12617HC 17HP Hydro	1693843 1615HC, 16HP Hydro
1693696 1617HC 17HP Hydro	1693839 Broadmoor 16HP Hydro	1693845 2615HC, 16HP Hydro
1693698 2617HC 17HP Hydro	1693841 Broadmoor 16HP Hydro (Export)	

## Frame & Front Axle Group

REF NO.	PART NO.	QTY.	DESCRIPTION
1	1718855	1	FRAME ASSEMBLY
2	1703968	2	SUPPORT, Seat
3	1934654	3	CAPSCREW, Hex Flange Head, Whizlock, 3/8-16 x 1
4	1919439	3	NUT, Hex Nylon Lock, 3/8-16
5	1704351	15	FASTENER, Panel
6	1720752	1	PAD, Footrest, LH
7	1960270	1	NUT, Hex, Full Lock, 3/4-16
8	176440	4	BUSHING
9	1704314	2	GREASE FITTING
10	1703475	1	AXLE ASSEMBLY, Front
11	1718856	1	AXLE PIVOT ASSEMBLY
12	960530	2	WASHER, Special
13	1720753	1	PAD, Footrest, RH
14	1720712	1	PLATE, Cover
15	1960251	1	NUT, Jam, Hex, Center Lock, 3/8-16
16	1708046	1	COVER, Rear

### Footnotes:

---

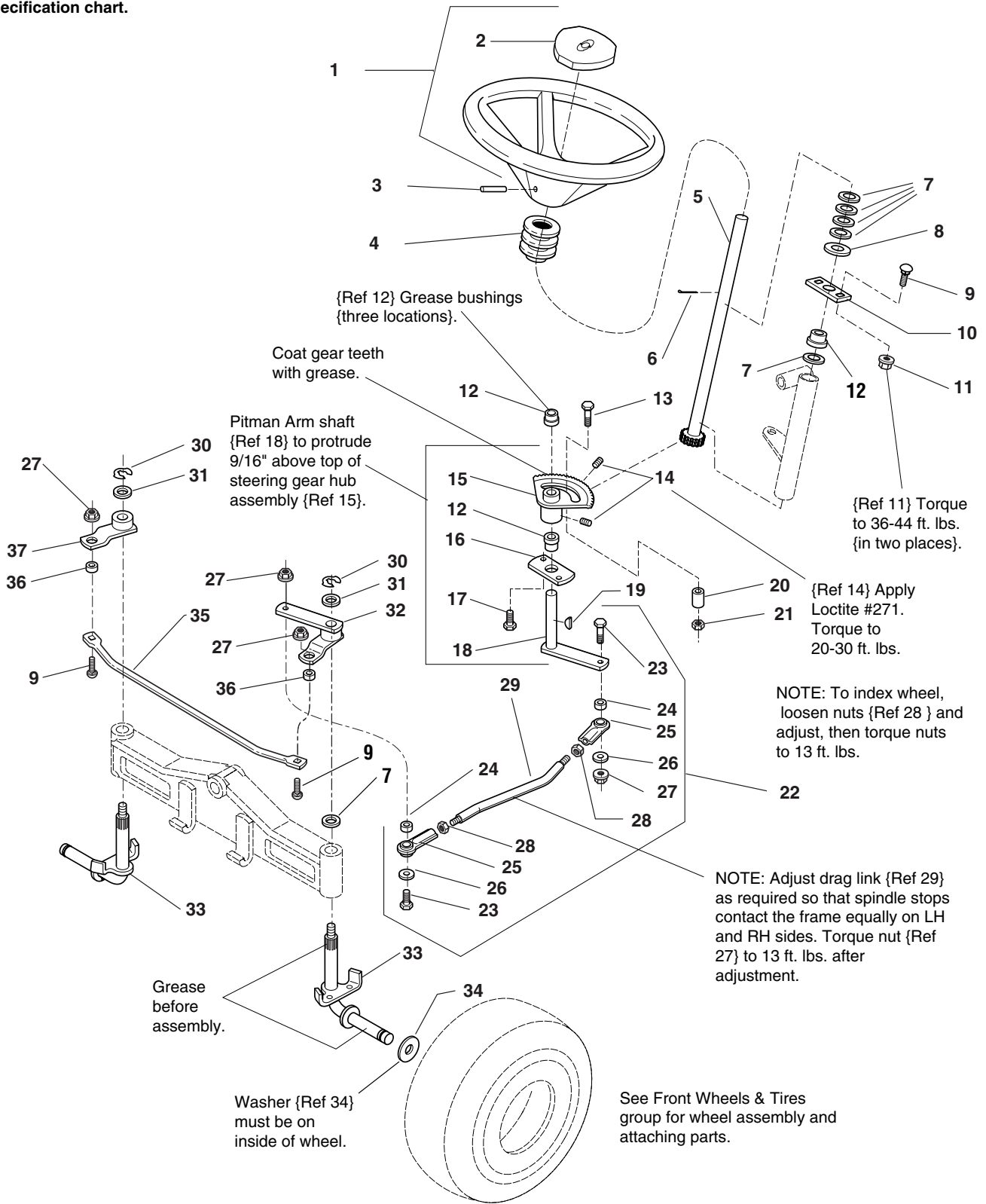
#### The above parts group applies to the following Mfg. Nos.:

1693694 Broadmoor 17HP Hydro	1693700 12617HC 17HP Hydro	1693843 1615HC, 16HP Hydro
1693696 1617HC 17HP Hydro	1693839 Broadmoor 16HP Hydro	1693845 2615HC, 16HP Hydro
1693698 2617HC 17HP Hydro	1693841 Broadmoor 16HP Hydro (Export)	

# Steering Group

984720

**NOTE:** Unless noted otherwise, use the standard hardware torque specification chart.



The above parts group applies to the following Mfg. Nos.:

1693694 Broadmoor 17HP Hydro	1693700 12617HC 17HP Hydro	1693843 1615HC, 16HP Hydro
1693696 1617HC 17HP Hydro	1693839 Broadmoor 16HP Hydro	1693845 2615HC, 16HP Hydro
1693698 2617HC 17HP Hydro	1693841 Broadmoor 16HP Hydro (Export)	

## Steering Group

REF NO.	PART NO.	QTY.	DESCRIPTION
1	1686651	1	STEERING WHEEL ASSEMBLY (Includes Ref. Nos. 2 & 3)
2	1714097	1	CAP, Steering Wheel
3	1960540	1	PIN, Spring, 5/8 x 2
4	1714400	1	TUBE, Steering
5	1720122	1	SHAFT ASSEMBLY, Steering
6	1919314	1	COTTER PIN, 3/16 x 1-1/4
7	1960114	7	WASHER, Plain, 49/64
8	1960529	1	WASHER, Plain
9	1931350	4	CARRIAGE BOLT, 3/8-16 x 1
10	1703508	1	PLATE, Mounting, Steering
11	1928352	2	NUT, Hex Flange, 3/8-16
12	176440	3	BUSHING, Nylon
13	1921221	1	CAPSCREW, Hex Head, 5/16-18 x 1-1/2
14	1928721	2	SETSCREW, Square. Head, 5/16-18 x 1/2 G8
15	1703513	1	GEAR ASSEMBLY, Steering
16	1716117	1	SECTOR MOUNTING PLATE
17	1960373	2	CAPSCREW, Taptite, 5/16-18 x 1
18	1703512	1	PITMAN ARM ASSEMBLY
19	930670	1	KEY, Hi Pro
20	1673796	1	SPACER, Stop
21	1919438	1	NUT, Hex Nylon Lock, 5/16-18
22	1685478	1	DRAG LINK KIT, (Includes Ref. Nos. 23, 24, 25, 26, 27, 28 & 29)
23	1921968	2	CAPSCREW, Hex Head, 3/8-16 x 1-3/8
24	1708236	2	SPACER
25	1702779	2	BALL JOINT, Flat
26	1922755	2	WASHER, Plain, 3/8
27	1930645	4	NUT, Hex Flange, 2-Way Lock, 3/8-16
28	1919262	2	NUT, Hex Jam, 1/2-20
29	1708084	1	DRAG LINK
30	1704420	2	KLIP RING, 5/8
31	1960020	2	WASHER, 5/8
32	1706997	1	STEERING ARM ASSEMBLY, LH, Splined
33	1715308	2	SPINDLE ASSEMBLY, Splined (with welded cup washer)
34	1960160	2	WASHER, Special
35	1706956	1	TIE ROD
36	1611705	2	SPACER
37	1706996	1	STEERING ARM ASSEMBLY, RH, Splined

### Footnotes:

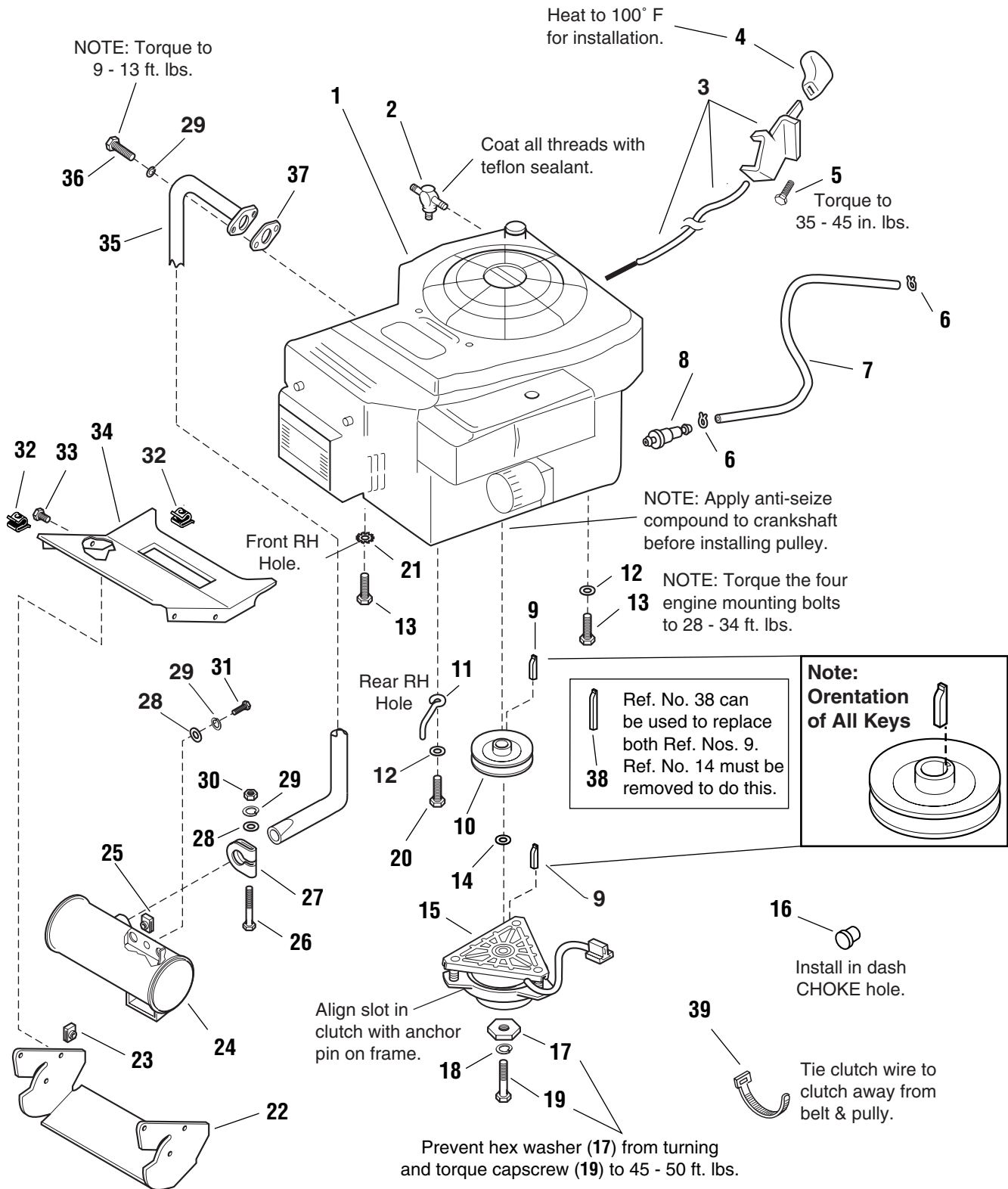
The above parts group applies to the following Mfg. Nos.:

1693694 Broadmoor 17HP Hydro	1693700 12617HC 17HP Hydro	1693843 1615HC, 16HP Hydro
1693696 1617HC 17HP Hydro	1693839 Broadmoor 16HP Hydro	1693845 2615HC, 16HP Hydro
1693698 2617HC 17HP Hydro	1693841 Broadmoor 16HP Hydro (Export)	

# Engine & Electric Clutch Group - 17HP Briggs & Stratton

985718

**NOTE:** Unless noted otherwise, use the standard hardware torque specification chart.



The above parts group applies to the following Mfg. Nos.:

1693694 Broadmoor 17HP Hydro  
1693696 1617HC 17HP Hydro

1693698 2617HC 17HP Hydro  
1693700 12617HC 7HP Hydro



## Engine & Electric Clutch Group - 17HP Briggs & Stratton

REF NO.	PART NO.	QTY.	DESCRIPTION
1	*	1	ENGINE, 17HP Briggs & Stratton Vanguard
2	1708405	1	VALVE, Shut-off
3	1714065	1	CONTROL, Throttle, Includes Cable
4	1713846	1	KNOB
5	1960536	2	SCREW, Hex Washer Head, Plastite, 1/4-10 x 1/2
6	960112	2	CLAMP, Hose
7	1708549	1	HOSE, Fuel, 1/4 ID x 1/2 OD x 38" Long
8	173206	1	FILTER, Fuel
9	171241	2	KEY
10	1704307	1	PULLEY
11	1704419	1	BELT STOP
12	1924940	2	WASHER, 3/8
13	1930598	3	SCREW, Hex Washer Head Taptite, 3/8-16 x 1-1/2
14	1919394	1	WASHER
15	1717664	1	ELECTRIC CLUTCH
16	1705358	1	FASTENER, Panel
17	1708264	1	WASHER, Hex, Special
18	1918199	1	LOCKWASHER, 7/16
19	1960370	1	CAPSCREW, Hex Head, 7/16-20 x 2-1/2
20	930598	1	SCREW, Hex Washer Head Taptite, 3/8-16 x 1-1/2
21	920427	1	LOCKWASHER, External Tooth, 3/8
22	1704357	1	DUCT, Muffler, Bottom
23	1960368	4	NUT, Speed, Lug Type, 1/4-20
24	1703971	1	MUFFLER
25	1935255	1	NUT, Speed, Lug Type, 5/16-18
26	1931342	1	CARRIAGE BOLT, 5/16-18 x 2-3/4
27	1676183	1	CLAMP, Exhaust
28	1919326	2	WASHER, 5/16
29	1917356	4	LOCKWASHER, 5/16
30	1917372	1	NUT, Hex, 5/16-18
31	1921333	1	CAPSCREW, Hex Head, 5/16-18 x 1
32	934683	2	CLIP, Speed, 1/8
33	1960295	4	SCREW, Hex Whizlock Flange, 1/4-20 x 5/8
34	1713300	1	DUCT, Muffler, Top
35	1713302	1	PIPE, Exhaust
36	1936228	2	CAPSCREW, Hex Socket Head, 5/16-18 x 3/4, G 8
37	1650670	1	GASKET, Exhaust
38	105337 **	1	KEY
39	932747	1	TIE, Self Locking

### Footnotes:

\* See your local Briggs & Stratton distributor for service parts.

\*\* Ref. No. 38 can be used to replace both Ref. Nos. 9. Ref. 14 must be removed to do this.

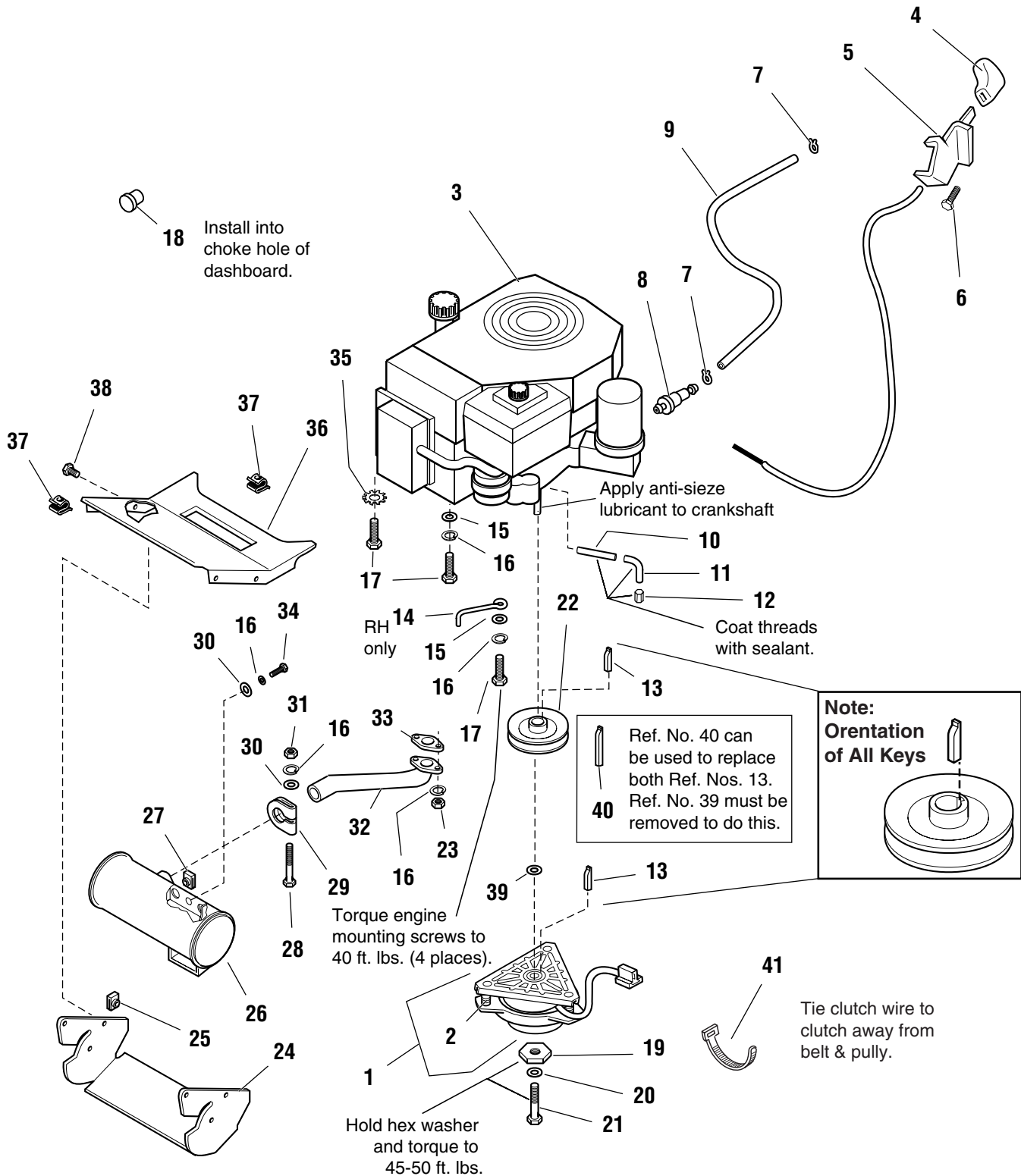
The above parts group applies to the following Mfg. Nos.:

1693694 Broadmoor 17HP Hydro	1693698 2617HC 17HP Hydro
1693696 1617HC 17HP Hydro	1693700 12617HC 7HP Hydro

# Engine & Electric Clutch Group - 16HP Kohler

985804

**NOTE:** Unless noted otherwise, use the standard hardware torque specification chart.



The above parts group applies to the following Mfg. Nos.:

1693839 16HP Broadmoor Hydro	1693843 16HP 1615HC Hydro
1693841 16HP Broadmoor Hydro (Export)	1693845 16HP 2615HC Hydro

## Engine & Electric Clutch Group - 16HP Kohler

REF NO.	PART NO.	QTY.	DESCRIPTION
1	1717664	1	ELECTRIC CLUTCH
2	**	1	SPRING & NUT KIT
3	*	1	ENGINE, 16HP Kohler CV 460
4	1713846	1	KNOB, Throttle
5	1714065	1	THROTTLE CONTROL ASSEMBLY
6	1960536	2	CAPSCREW, Hex Washer Head, Plastite, 1/4-20 x 1/2
7	960112	2	CLAMP, Hose
8	173206	1	FUEL FILTER
9	1718678	1	HOSE, Fuel, 45-1/2
10	1901491	1	PIPE NIPPLE, 3/8 x 2
11	1673453	1	STREET ELBOW, 3/8 Pipe
12	1667346	1	CAP, Pipe
13	171241	2	KEY
14	1704419	1	BELT STOP
15	1919381	4	WASHER, Flat, 5/16
16	1917356	8	LOCKWASHER, 5/16
17	1960405	4	CAPSCREW, Taptite, M8-1-1/4 x 30 mm
18	1705358	1	FASTENER, Panel
19	1708264	1	WASHER, Hex
20	1918199	1	LOCKWASHER, 7/16
21	1960370	1	CAPSCREW, 7/16-20 x 2-1/2
22	1704307	1	PULLEY ASSEMBLY
23	*	1	NUT, Exhaust
24	1704357	1	DUCT, Lower Muffler
25	1960368	4	PAL NUT, 1/4-20
26	1703971	1	MUFFLER ASSEMBLY
27	1935255	1	PAL NUT, 5/16-18
28	1931342	1	CARRIAGE BOLT, 5/16-18 x 2-3/4
29	1676183	1	CLAMP, Muffler
30	1919326	2	WASHER, 5/16
31	1917372	1	NUT, Hex, 5/16-18
32	1705347	1	PIPE, Exhaust
33	*	1	GASKET, Exhaust
34	1921333	1	CAPSCREW, Hex Head, 5/16-18 x 1
35	920426	1	LOCKWASHER, External Tooth, 5/16
36	1722104	1	DUCT, Top, Muffler
37	934683	2	CLIP
38	1960295	4	CAPSCREW, Hex Flange Head, Whizlock, 1/4-20 x 5/8
39	1919394	1	WASHER
40	105337 ***	1	KEY
41	932747	1	TIE, Self Locking

### Footnotes:

\* See Your Local Kohler Dealer

\*\* Not Serviced

\*\*\* Ref. No. 40 can be used to replace both Ref. Nos. 13. Ref. 39 must be removed to do this.

---

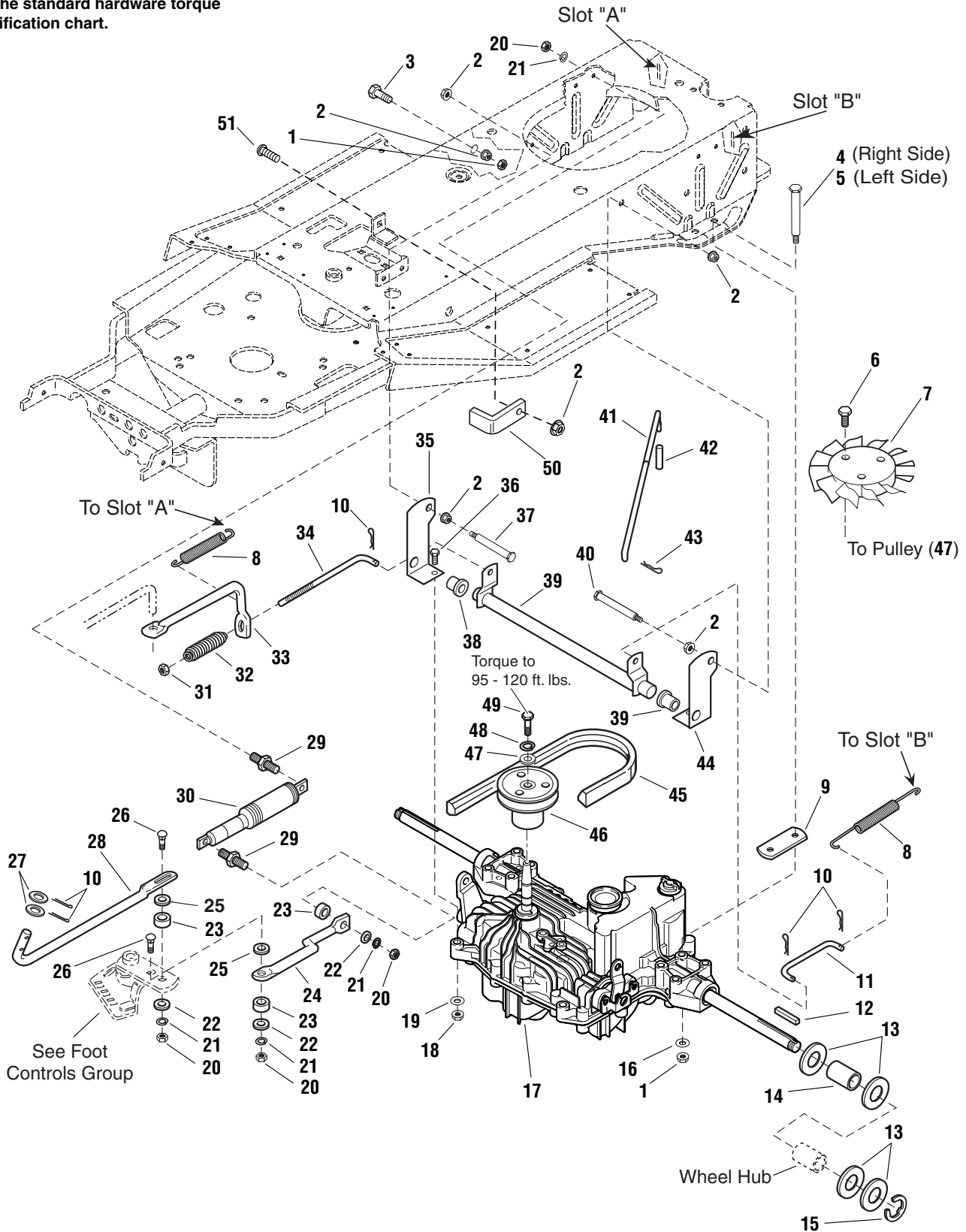
### The above parts group applies to the following Mfg. Nos.:

1693839 16HP Broadmoor Hydro	1693843 16HP 1615HC Hydro
1693841 16HP Broadmoor Hydro (Export)	1693845 16HP 2615HC Hydro

# Transmission Group

985716

NOTE: Unless noted otherwise, use the standard hardware torque specification chart.



The above parts group applies to the following Mfg. Nos.:

1693694 Broadmoor 17HP Hydro  
1693696 1617HC 17HP Hydro  
1693698 2617HC 17HP Hydro

1693700 12617HC 17HP Hydro  
1693839 Broadmoor 16HP Hydro  
1693841 Broadmoor 16HP Hydro (Export)

1693843 1615HC, 16HP Hydro  
1693845 2615HC, 16HP Hydro

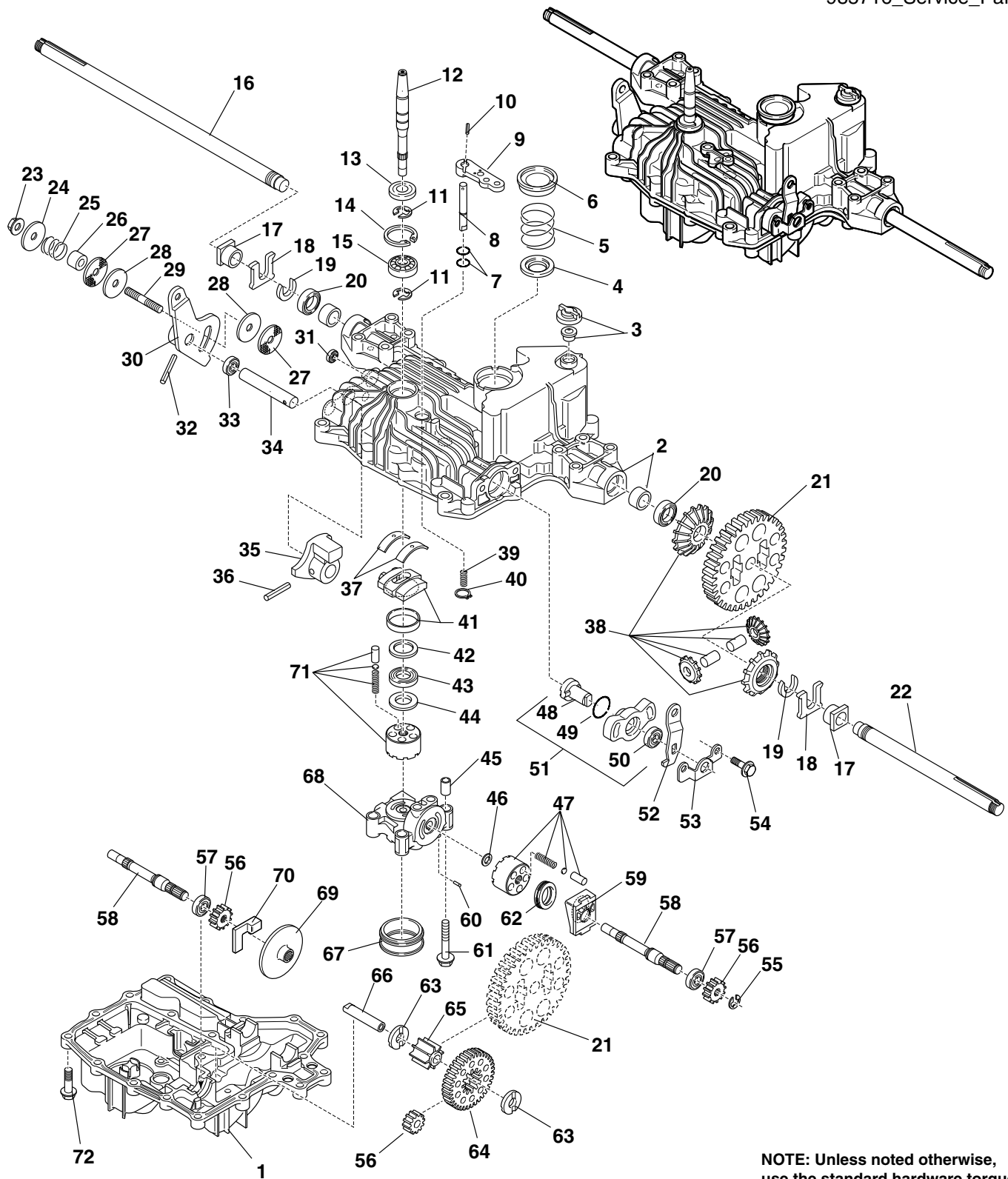
## Transmission Group

REF NO.	PART NO.	QTY.	DESCRIPTION
1	1923362	5	LOCKNUT, 5/16-18
2	1931277	6	LOCKNUT, Small Flange, 5/16-18
3	1921333	1	CAPSCREW, Hex Head, 5/16-18 x 1
4	1923141	2	CAPSCREW, Hex Head, 5/16-18 x 2-3/4, RH
5	1926106	2	CAPSCREW, Hex Head, 5/16-18 x 3-1/4, LH
6	1933958	3	SCREW, Hex Washer Head, Taptite, 1/4-20 x 1-1/8
7	1707933	1	FAN, 10 Blade Nylon
8	159106	2	SPRING, Extension
9	1720218	2	SPACER, Rectangular, 1 x 3 x 1/4
10	1918447	5	PIN, Cotter
11	1720216	1	ROD, Brake Link
12	1717749	2	KEY
13	960202	8	WASHER, 3/4
14	1717451	2	SPACER
15	927794	2	RING, Retaining, External, 3/4
16	1960141	4	WASHER, 5/16, 0.13 Thick
17	1720876	1	TRANSAXLE, TuffTorq K51, See Transmission Service Parts - Tuff Torq K51 Transaxel
18	1935048	2	LOCKNUT, Flange, 5/16-18
19	1924874	2	WASHER, 5/16, 0.06 Thick
20	1917372	4	NUT, 5/16
21	1917356	4	LOCKWASHER, 5/16
22	1919326	3	WASHER, 5/16
23	1703900	3	SPACER
24	1720220	1	ROD, 2 Bends Flat Ends, 10" Long
25	1919381	2	WASHER, 5/16
26	1960223	2	CARRIAGE BOLT, 5/16-18 x 1-1/4
27	1924361	2	WASHER, 1/2
28	1720977	1	ROD, Shift
29	1717685	2	STUD, 5/16-18 x 57/64
30	1718039	1	SHOCK ABSORBER
31	1919439	1	LOCKNUT, 3/8-16
32	1708360	1	SPRING, Compression
33	1709896	1	ROD, Brake Guide, 7" Long
34	1655811	1	BOLT, Rod
35	1720208	1	STRAP, Torque, RH
36	1921221	2	CAPSCREW, Hex Head, 5/16-18 x -1/2
37	1923141	1	CAPSCREW, Hex Head, 5/16-18 x 2-3/4
38	1676148	2	BUSHING
39	1720210	1	SHAFT & ARMS ASSEMBLY
40	1960272	1	CAPSCREW, Hex Head, 5/16-18 x 5-1/2
41	1720917	1	ROD, 5 Bends. 11.34" Long
42	1704575	1	COVER
43	1923360	1	PIN, Cotter, 5/8 x 3/4
44	1720209	1	STRAP, Torque, LH
45	1719819	1	BELT, Drive
46	1719902	1	PULLEY ASSEMBLY
47	1960353	1	WASHER, 1/4
48	1916964	1	LOCKWASHER, 1/4
49	1960613	1	CAPSCREW, Hex Head, Metric M06-1 x 20mm, 8.8
50	1722001	1	BRACKET, Limit Speed Control
51	1931332	1	CARRIAGE BOLT, 5/16-18 x 5/8

### Footnotes:

The above parts group applies to the following Mfg. Nos.:

1693694 Broadmoor 17HP Hydro	1693700 12617HC 17HP Hydro	1693843 1615HC, 16HP Hydro
1693696 1617HC 17HP Hydro	1693839 Broadmoor 16HP Hydro	1693845 2615HC, 16HP Hydro
1693698 2617HC 17HP Hydro	1693841 Broadmoor 16HP Hydro (Export)	



**NOTE:** Unless noted otherwise, use the standard hardware torque specification chart.

The above parts group applies to the following Mfg. Nos.:

1693694 Broadmoor 17HP Hydro	1693700 12617HC 17HP Hydro	1693843 1615HC, 16HP Hydro
1693696 1617HC 17HP Hydro	1693839 Broadmoor 16HP Hydro	1693845 2615HC, 16HP Hydro
1693698 2617HC 17HP Hydro	1693841 Broadmoor 16HP Hydro (Export)	

## Transmission Service Parts – Tuff Torq K51 Transaxle

REF NO.	PART NO.	QTY.	DESCRIPTION
1	1720416	1	LOWER HOUSING
2	1720420	1	UPPER HOUSING CMP.
3	1718052	1	VENT VALVE
4	1718053	1	FILTER
5	1718054	1	SPRING, Filter
6	1718055	1	SEALING CAP
7	1708691	2	PACKING
8	1720417	1	SHAFT , Bypass
9	1720418	1	LEVER , Bypass
10	1720421	1	PIN
11	1718076	2	RING
12	1720424	1	PUMP SHAFT
13	1708651	1	SEAL, TC
14	1708650	1	RING, Snap
15	1708673	1	BEARING
16	1718109	1	AXLE SHAFT, RH
17	1718110	2	BUSHING
18	1718112	2	THRUST WASHER
19	1718113	2	RING
20	1718111	2	SEAL
21	1718102	1	FINAL GEAR
22	1720441	1	AXLE SHAFT, LH
23	1720437	1	LOCK NUT
24	1720431	1	WASHER
25	1720430	1	SPRING, Friction
26	1720429	1	COLLAR
27	1720432	2	WASHER
28	1720438	2	FRICTION PLATE CMP.
29	1720436	1	STUD
30	1720433	1	CONTROL LEVER
31	1720427	1	CAP, Sealing
32	1718100	1	PIN
33	1718120	1	SEAL,TC
34	1720434	1	CONTROL SHAFT
35	1720723	1	CONTROL ARM ASSEMBLY
36	1707840	1	PIN
37	1718089	2	THRUST METAL
38	1718103	1	DIFF. GEAR KIT
39	1720419	1	SPRING
40	1718061	1	RING, Snap
41	1720426	1	SWASH PLATE CMP.
42	1718088	1	THRUST PLATE B
43	1718086	1	BEARING
44	1718087	1	THRUST PLATE A
45	1718069	2	KNOCK PIN
46	1718084	1	WASHER
47	1718079	1	CYLINDER BLOCK CMP.
48	1718117	1	SHAFT, Brake
49	1718121	1	PACKING
50	1718120	1	SEAL, TC

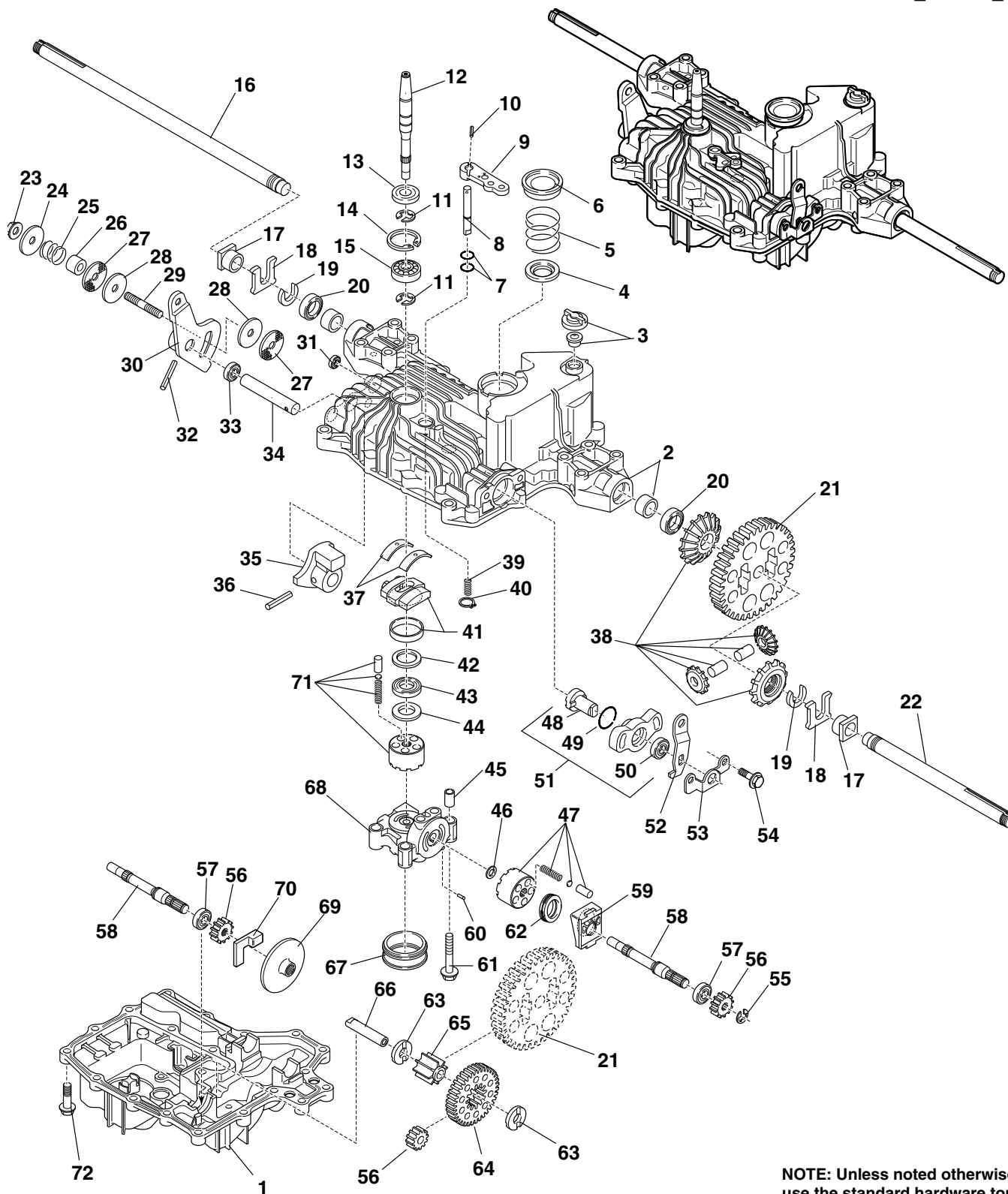
### Footnotes:

Continued, next page

---

#### The above parts group applies to the following Mfg. Nos.:

1693694 Broadmoor 17HP Hydro	1693700 12617HC 17HP Hydro	1693843 1615HC, 16HP Hydro
1693696 1617HC 17HP Hydro	1693839 Broadmoor 16HP Hydro	1693845 2615HC, 16HP Hydro
1693698 2617HC 17HP Hydro	1693841 Broadmoor 16HP Hydro (Export)	



**NOTE:** Unless noted otherwise, use the standard hardware torque specification chart.

The above parts group applies to the following Mfg. Nos.:

1693694 Broadmoor 17HP Hydro  
 1693696 1617HC 17HP Hydro  
 1693698 2617HC 17HP Hydro

1693700 12617HC 17HP Hydro  
 1693839 Broadmoor 16HP Hydro  
 1693841 Broadmoor 16HP Hydro (Export)

1693843 1615HC, 16HP Hydro  
 1693845 2615HC, 16HP Hydro



**Transmission Service Parts – Tuff Torq K51 Transaxle (continued)**

REF NO.	PART NO.	QTY.	DESCRIPTION
51	1720442	1	BRAKE CAM KIT (Includes Ref. Nos. 48, 49, & 50)
52	1720217	1	ARM, Brake
53	1718119	1	PLATE, Brake
54	1718122	2	BOLT
55	1718081	1	E-RING
56	1720425	2	MOTOR GEAR
57	1718083	2	BEARING
58	1718080	2	MOTOR SHAFT
59	1718077	1	HOUSING
60	1718070	1	PIN
61	1720422	3	BOLT
62	1718078	1	BEARING
63	1720439	2	WASHER
64	1720440	1	REDUCTION GEAR
65	1718107	1	FINAL PINION
66	1718104	1	REDUCTION SHAFT
67	1718071	1	FILTER
68	1718068	1	CENTER CASE B CMP.
69	1718114	1	DISK, Brake
70	1718115	1	SHOE, Brake
71	1718073	1	CYLINDER BLOCK CMP.
72	1707789	20	TAPPING SCREW

**Footnotes:**

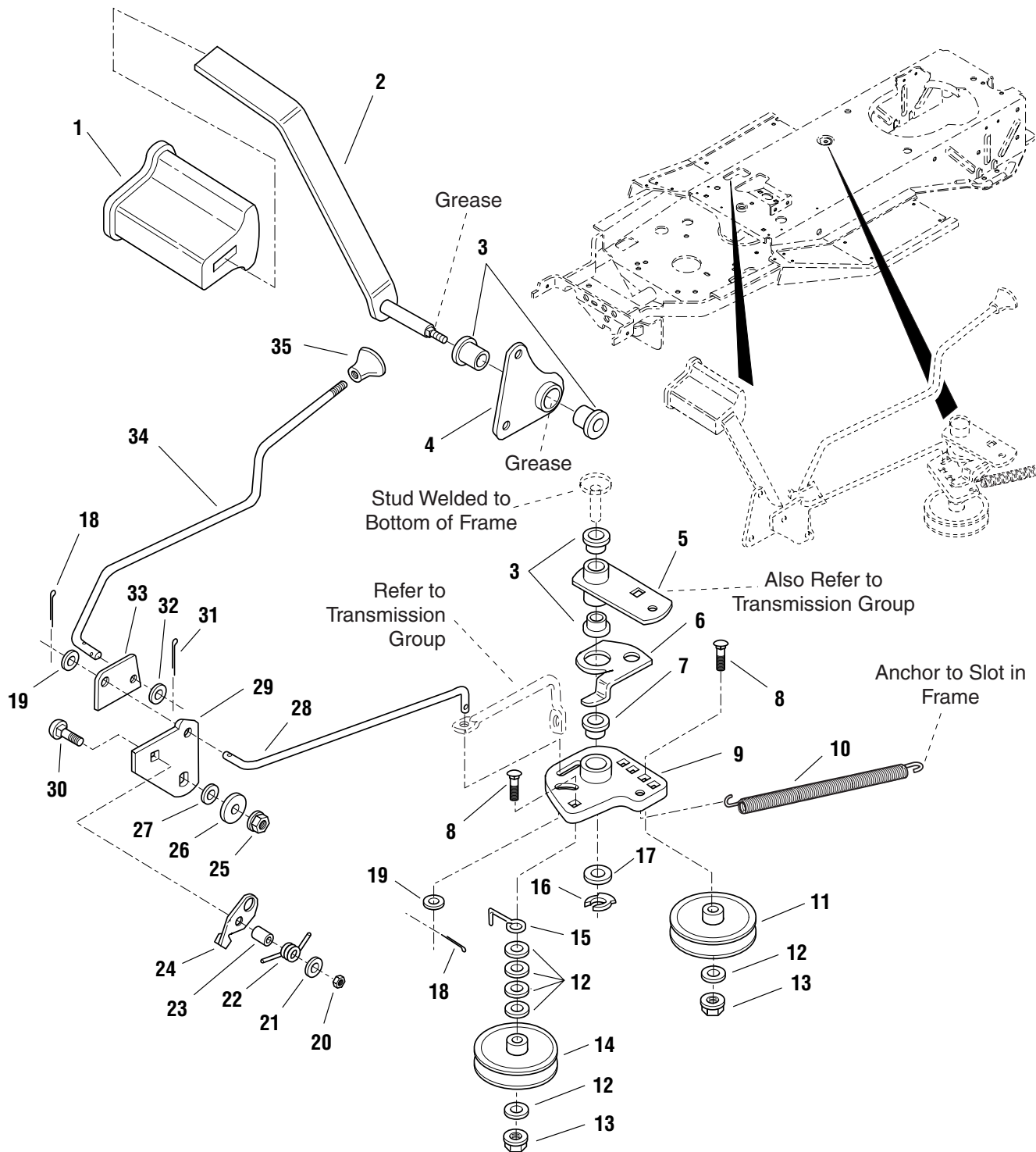
**The above parts group applies to the following Mfg. Nos.:**

1693694 Broadmoor 17HP Hydro	1693700 12617HC 17HP Hydro	1693843 1615HC, 16HP Hydro
1693696 1617HC 17HP Hydro	1693839 Broadmoor 16HP Hydro	1693845 2615HC, 16HP Hydro
1693698 2617HC 17HP Hydro	1693841 Broadmoor 16HP Hydro (Export)	

# Foot Controls Group

985709\_Foot

NOTE: Unless noted otherwise, use the standard hardware torque specification chart.



The above parts group applies to the following Mfg. Nos.:

1693694 Broadmoor 17HP Hydro  
 1693696 1617HC 17HP Hydro  
 1693698 2617HC 17HP Hydro

1693700 12617HC 17HP Hydro  
 1693839 Broadmoor 16HP Hydro  
 1693841 Broadmoor 16HP Hydro (Export)

1693843 1615HC, 16HP Hydro  
 1693845 2615HC, 16HP Hydro

## Foot Controls Group

REF NO.	PART NO.	QTY.	DESCRIPTION
1	1718944	1	PAD, Foot Pedal
2	1717765	1	PEDAL & SHAFT ASSEMBLY, Brake
3	1663114	4	BUSHING
4	1704621	1	CAM, Lift
5	1715002	1	PIVOT ASSEMBLY, Shift Lever
6	1715262	1	LEVER, Lockout
7	1709894	1	BUSHING
8	1931353	2	CARRIAGE BOLT, 3/8-16 x 1-3/4
9	1709903	1	ARM & HUB ASSEMBLY, Idler
10	1666759	1	SPRING
11	174561	1	PULLEY, 3" OD
12	1924940	6	WASHER, 3/8
13	1928352	2	LOCKNUT, Flange, 3/8-16
14	1721133	1	PULLEY, Idler, 3-1/4 OD
15	1709863	1	STOP, Belt
16	1704420	1	KLIPRING, 5/8
17	1960020	1	WASHER, 5/8
18	1918447	2	PIN, Cotter
19	1919326	3	WASHER, 5/16
20	1923362	1	LOCKNUT, 5/16-18
21	1960185	1	WASHER, 5/16 x 2-1/8 OD
22	1720724	1	SPRING
23	1720882	1	SPACER
24	1709950	1	ACTUATOR, Switch
25	1960339	1	NUT, Hex, Large Flange, 3/8-16
26	1922611	1	WASHER, 3/8 x 1-1/4
27	1922755	1	WASHER, 3/8
28	1686823	1	ROD, Clutch
29	1721746	1	ARM, Foot Pedal
30	1931337	1	CARRIAGE BOLT, 5/16-18 x 1-1/2
31	1923360	1	PIN, Cotter
32	1921319	1	WASHER, 1/4
33	1704429	1	CAM, Parking Brake
34	1713480	1	ROD, Park Brake
35	1713855	1	KNOB

### Footnotes:

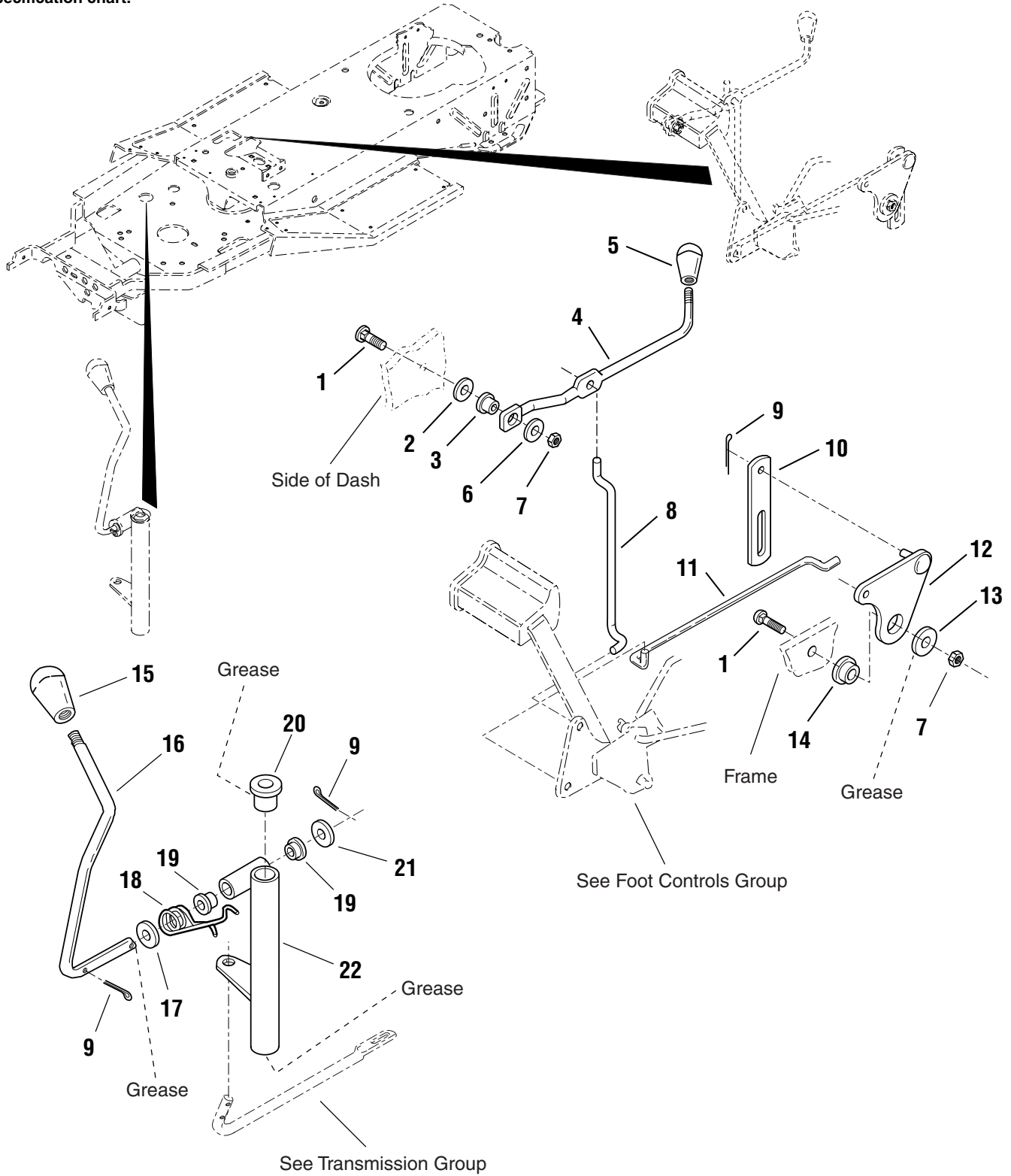
The above parts group applies to the following Mfg. Nos.:

1693694	Broadmoor 17HP Hydro	1693700	12617HC 17HP Hydro	1693843	1615HC, 16HP Hydro
1693696	1617HC 17HP Hydro	1693839	Broadmoor 16HP Hydro	1693845	2615HC, 16HP Hydro
1693698	2617HC 17HP Hydro	1693841	Broadmoor 16HP Hydro (Export)		

# Hand Controls Group

985709\_Hand

NOTE: Unless noted otherwise, use the standard hardware torque specification chart.



The above parts group applies to the following Mfg. Nos.:

1693694 Broadmoor 17HP Hydro  
 1693696 1617HC 17HP Hydro  
 1693698 2617HC 17HP Hydro

1693700 12617HC 17HP Hydro  
 1693839 Broadmoor 16HP Hydro  
 1693841 Broadmoor 16HP Hydro (Export)

1693843 1615HC, 16HP Hydro  
 1693845 2615HC, 16HP Hydro

## Hand Controls Group

REF NO.	PART NO.	QTY.	DESCRIPTION
1	1960223	2	CARRIAGE BOLT, 5/16-18 x 1-1/4
2	1924356	1	WASHER, 3/8
3	1705590	1	SPACER
4	1717989	1	ROD, Lift Handle
5	1718219	1	KNOB, Lift Rod
6	1919381	1	WASHER, 5/16
7	1919438	2	LOCKNUT, Hex, 5/16-18
8	1704623	1	ROD, Lift, Upper
9	1918447	3	PIN, Cotter
10	1704756	1	LINK, Lift, Upper
11	1704624	1	ROD, Link, Lift
12	1704825	1	CAM & WELD PIN ASSEMBLY, Lift
13	1960044	1	WASHER, 5/16
14	1704629	1	SPACER
15	1713843	1	KNOB
16	1713851	1	ROD, Shift
17	1924361	1	WASHER, 1/2
18	1709236	1	SPRING
19	1704428	2	BUSHING
20	176440	1	BUSHING
21	1960206	1	WASHER, 1/2
22	1720975	1	LEVER, Tube & Pivot Assembly, Shift

### Footnotes:

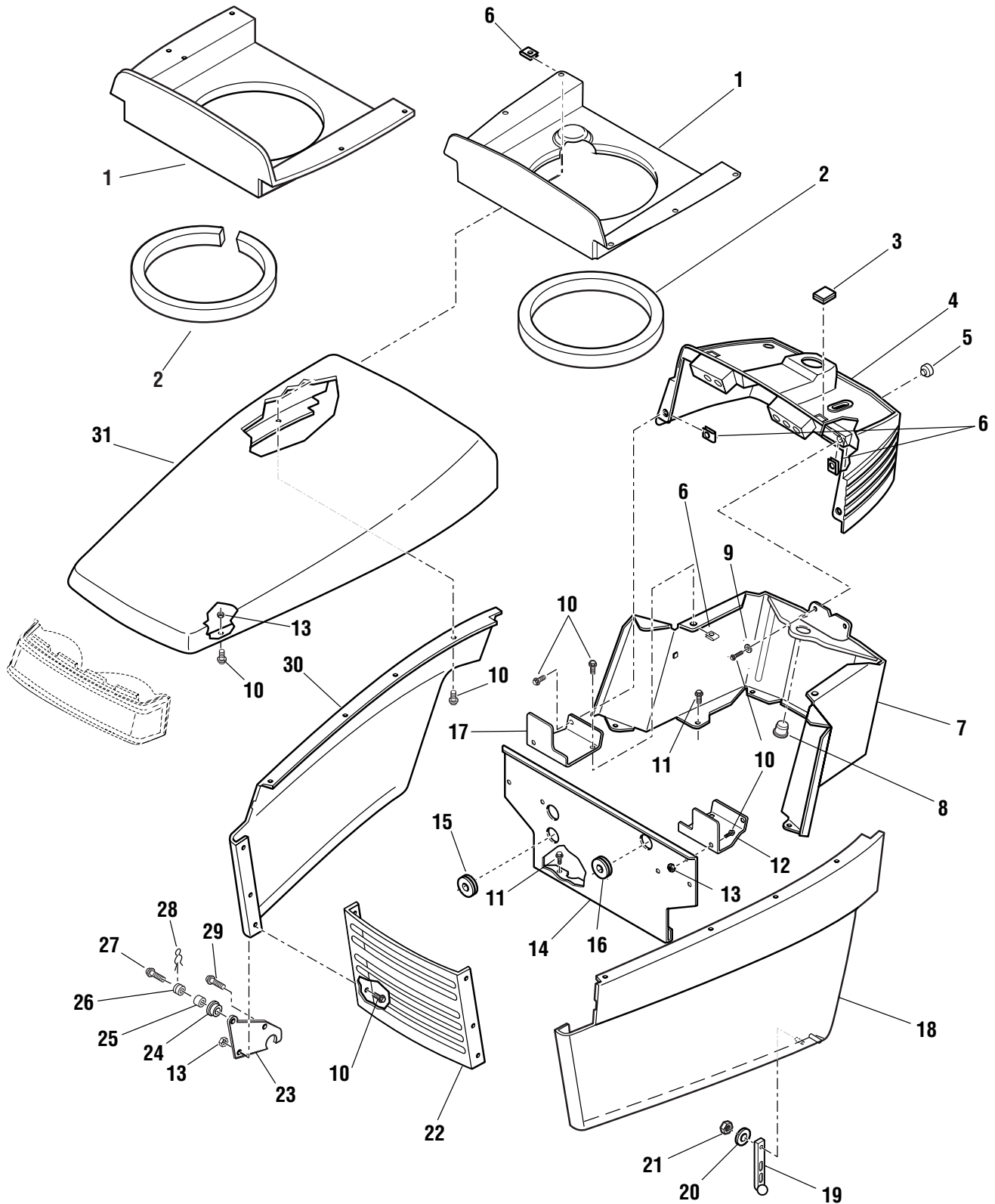
The above parts group applies to the following Mfg. Nos.:

1693694 Broadmoor 17HP Hydro	1693700 12617HC 17HP Hydro	1693843 1615HC, 16HP Hydro
1693696 1617HC 17HP Hydro	1693839 Broadmoor 16HP Hydro	1693845 2615HC, 16HP Hydro
1693698 2617HC 17HP Hydro	1693841 Broadmoor 16HP Hydro (Export)	

# Hood, Grille & Dash Group

985708

NOTE: Unless noted otherwise, use the standard hardware torque specification chart.



The above parts group applies to the following Mfg. Nos.:

1693694 Broadmoor 17HP Hydro  
 1693696 1617HC 17HP Hydro  
 1693698 2617HC 17HP Hydro

1693700 12617HC 17HP Hydro  
 1693839 Broadmoor 16HP Hydro  
 1693841 Broadmoor 16HP Hydro (Export)

1693843 1615HC, 16HP Hydro  
 1693845 2615HC, 16HP Hydro

## Hood, Grille & Dash Group

REF NO.	PART NO.	QTY.	DESCRIPTION
1	1707325	1	DUCT, Air, 16 HP Kohler
1	1713301	1	DUCT, Air, 17 HP Briggs & Stratton
2	1707326	1	MOULDING, Air Duct, 16 HP Kohler
2	1713316	1	MOULDING, Air Duct, 17 HP Briggs & Stratton
3	1709188	1	PLUG, Dash Hole
4	1720914	1	DASH ASSRMBLY
5	1670675	2	PLUG, Bumper
6	1960368	10	SPEEDNUT, 1/4-20
7	1709238	1	DASH, Lower
8	176440	1	BUSHING
9	1921319	2	WASHER
10	1960295	20	SCREW, Hex Flange Whizlock, 1/4-20 x 5/8
11	1925003	8	SCREW, Hex Washer Head Taptite, 1/4-20 x 1/2
12	1719845	1	SUPPORT, Bulkhead, LH
13	1920397	10	NUT, Hex Nylon Lock, 1/4-20
14	1707580	1	BULKHEAD
15	1704927	1	GROMMET, Wire Harness
16	1704342	1	GROMMET, Bulkhead
17	1719978	1	SUPPORT, Bulkhead, RH
18	1704879	1	SIDE PANEL ASSEMBLY, LH, Orange
18	41704879	1	SIDE PANEL ASSEMBLY, LH, Red
19	171600	2	STRAP, Hood
20	1960096	2	WASHER, Special
21	1933896	2	NUT, Hex Nylon Lock, #10-24
22	1721203	1	GRILLE
23	1716128	2	HINGE, Hood
24	1705249	2	SPACER
25	1705248	2	PIVOT, Hood
26	1704626	2	SPACER, Hood
27	1960373	2	SCREW, Hex Washer Head, Taptite, 5/16-18 x 1
28	1704628	2	CLIP, Hairpin
29	1930601	2	SCREW, Hex Washer Head, Taptite, 5/16-18 x 5/8
30	1704878	1	SIDE PANEL ASSEMBLY, RH, Orange
30	41704878	1	SIDE PANEL ASSEMBLY, RH, Red
31	1703240	1	HOOD, Orange
31	41703240	1	HOOD, Red

### Footnotes:

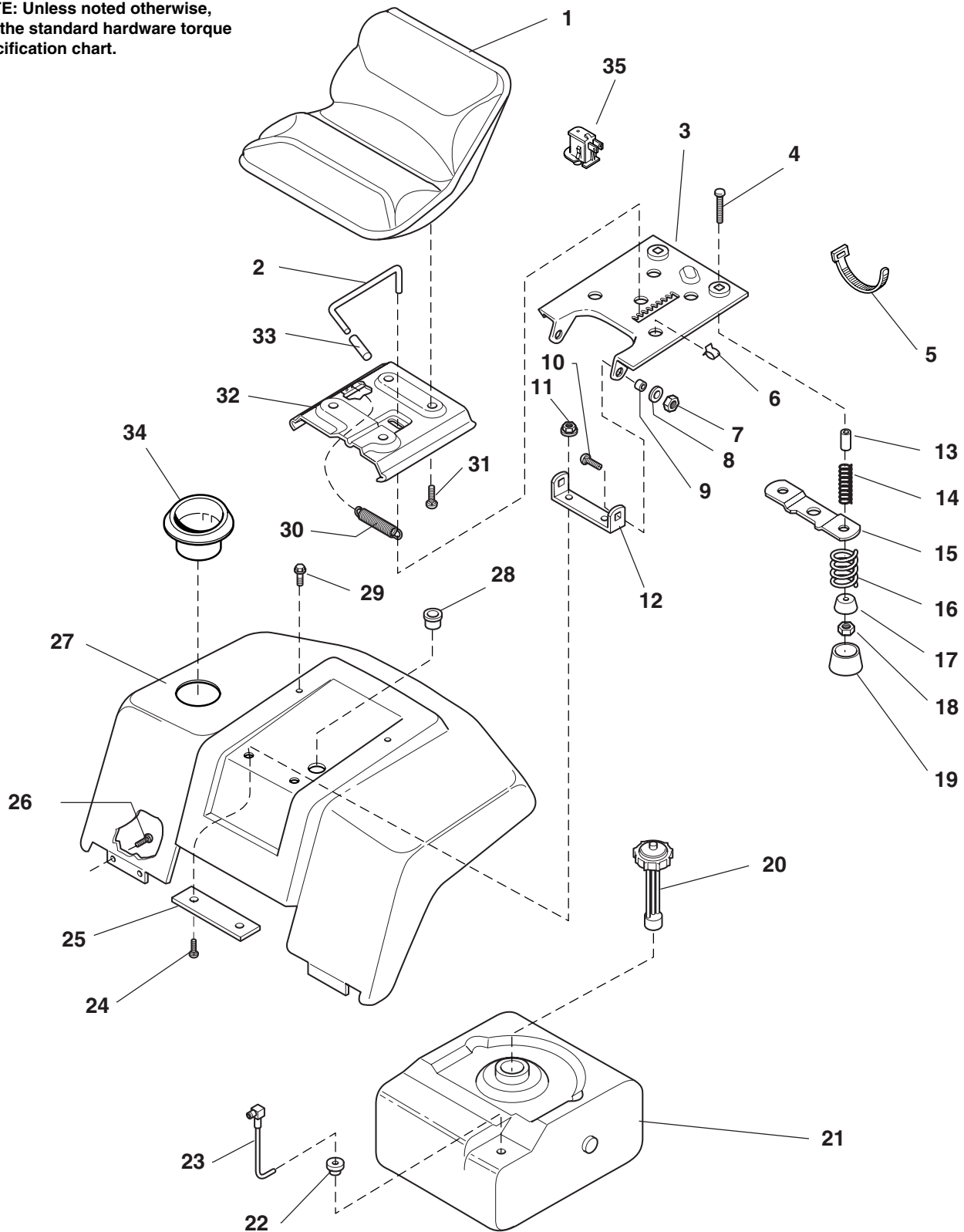
The above parts group applies to the following Mfg. Nos.:

1693694	Broadmoor 17HP Hydro	1693700	12617HC 17HP Hydro	1693843	1615HC, 16HP Hydro
1693696	1617HC 17HP Hydro	1693839	Broadmoor 16HP Hydro	1693845	2615HC, 16HP Hydro
1693698	2617HC 17HP Hydro	1693841	Broadmoor 16HP Hydro (Export)		

# Seat, Deck & Fuel Tank Group

986505

NOTE: Unless noted otherwise, use the standard hardware torque specification chart.



The above parts group applies to the following Mfg. Nos.:

1693694 Broadmoor 17HP Hydro	1693700 12617HC 17HP Hydro	1693843 1615HC, 16HP Hydro
1693696 1617HC 17HP Hydro	1693839 Broadmoor 16HP Hydro	1693845 2615HC, 16HP Hydro
1693698 2617HC 17HP Hydro	1693841 Broadmoor 16HP Hydro (Export)	



## Seat, Deck & Fuel Tank Group

REF NO.	PART NO.	QTY.	DESCRIPTION
1	1721702	1	SEAT, High-Back
2	1719712	1	LEVER, Seat Release
3	1709307	1	SUPPORT, Seat Pivot
4	1931339	2	CARRIAGE BOLT, 5/16-18 x 2
5	1701011	1	TIE, Self-locking, 15" long
6	172434	1	CLIP, Speed
7	1919439	2	NUT, Hex Nylon Lock, 3/8-16
8	1924940	2	WASHER, Plain, 13/32
9	1663752	2	SPACER
10	1931350	2	CARRIAGE BOLT, 3/8-16 x 1
11	1928352	2	NUT, Hex Flange, 3/8-16
12	1718858	1	BRACKET, Seat Pivot
13	1704299	2	SPACER
14	1709308	2	SPRING, Compression
15	1719809	1	PLATE, Switch
16	1704728	2	SPRING, Compression
17	1709256	2	WASHER, Plain, Cone
18	1919438	2	NUT, Hex Nylon Lock, 5/16-18
19	1704724	2	COVER, Spring
20	1704366	1	CAP, Fuel Gauge
21	1708054	1	TANK, Fuel
22	1654930	1	BUSHING
23	1704108	1	ELBOW & TUBE ASSEMBLY
24	1960459	2	CAPSCREW, Truss Head, Torx drive, 3/8-16 x 1
25	1708361	1	PLATE, Reinforcement
26	1925003	4	CAPSCREW, Taptite, 1/4-20 x 1/2
27	1720236	1	SEAT DECK, Orange
27	41720236	1	SEAT DECK, Red
28	1701229	1	BUSHING, Snap
29	1930601	2	CAPSCREW, Taptite, 5/16-18 x 5/8
30	1707137	1	SPRING, Extension
31	1931648	4	CAPSCREW, Hex, Whizlock, 5/16-18 x 5/8
32	1714441	1	BRACKET, Seat Slide
33	1704723	1	HANDLE, Grip
34	1719392	1	CUP HOLDER
35	1704379	1	SWITCH, Seat, Operator Present

### Footnotes:

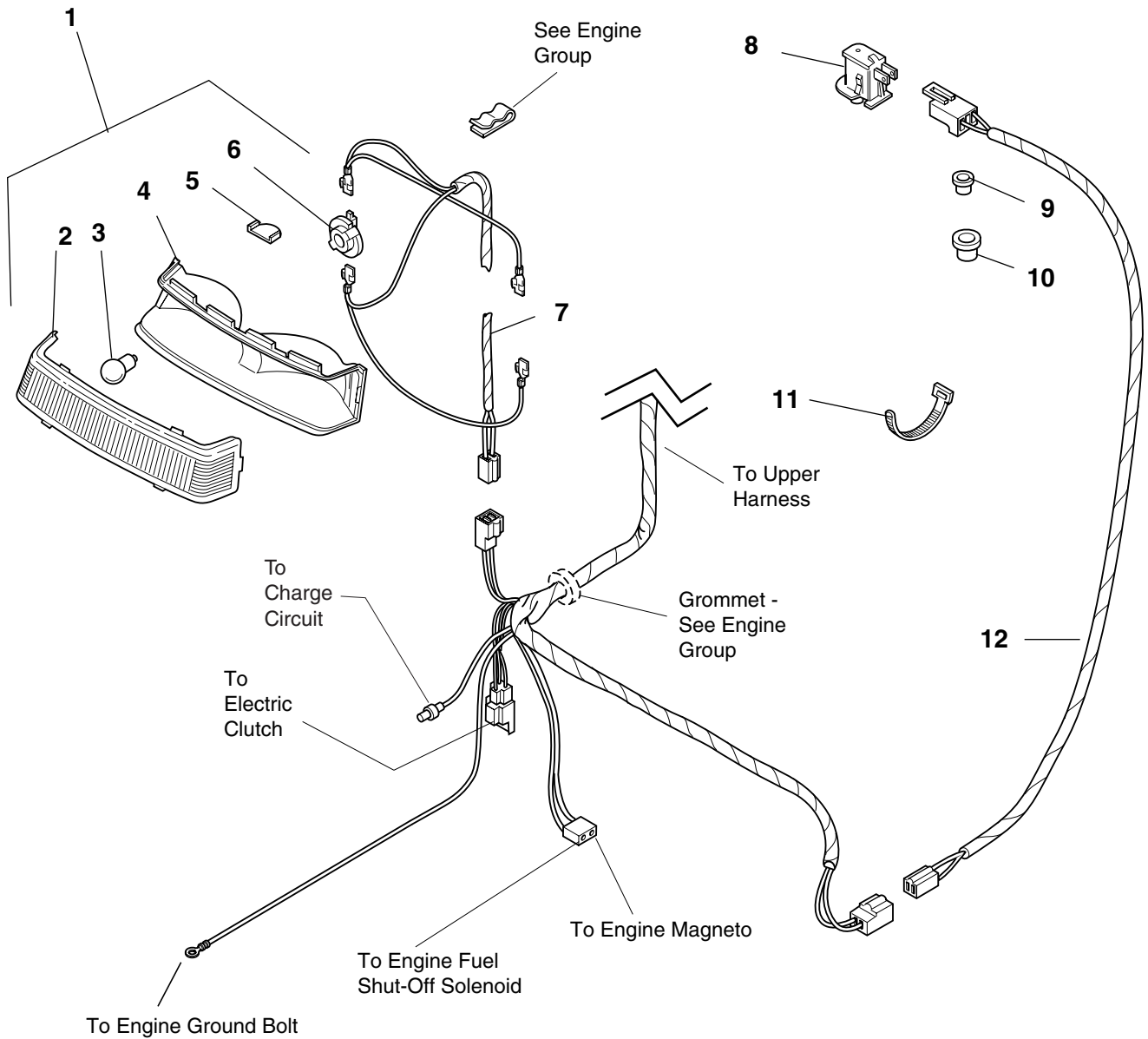
The above parts group applies to the following Mfg. Nos.:

1693694 Broadmoor 17HP Hydro	1693700 12617HC 17HP Hydro	1693843 1615HC, 16HP Hydro
1693696 1617HC 17HP Hydro	1693839 Broadmoor 16HP Hydro	1693845 2615HC, 16HP Hydro
1693698 2617HC 17HP Hydro	1693841 Broadmoor 16HP Hydro (Export)	

# Electrical Group - Main Harness Lower

985704\_Lower

NOTE: Unless noted otherwise, use the standard hardware torque specification chart.



The above parts group applies to the following Mfg. Nos.:

1693694 Broadmoor 17HP Hydro	1693700 12617HC 17HP Hydro	1693843 1615HC, 16HP Hydro
1693696 1617HC 17HP Hydro	1693839 Broadmoor 16HP Hydro	1693845 2615HC, 16HP Hydro
1693698 2617HC 17HP Hydro	1693841 Broadmoor 16HP Hydro (Export)	

### **Electrical Group - Main Harness Lower**

<b>REF NO.</b>	<b>PART NO.</b>	<b>QTY.</b>	<b>DESCRIPTION</b>
1	1703945	1	HEADLIGHT ASSEMBLY (Includes Ref. Nos. 2, 3, 4, 5 & 6)
2	1703248	1	LENS, Headlight
3	1677371	2	BULB, Headlight, 12.8V
4	1703249	1	BEZEL, Headlight
5	1703946	2	HEAT SHIELD
6	1677370	2	SOCKET, Bulb
7	1674358	1	WIRE ASSEMBLY, Headlight
8	1704379	1	SWITCH, Seat, Operator Present
9	1701229	2	BUSHING, Snap, Small
10	1705921	1	BUSHING, Snap, Large
11	1701011	2	CABLE TIE
12	1704877	1	WIRE ASSEMBLY, Seat Switch

#### **Footnotes:**

---

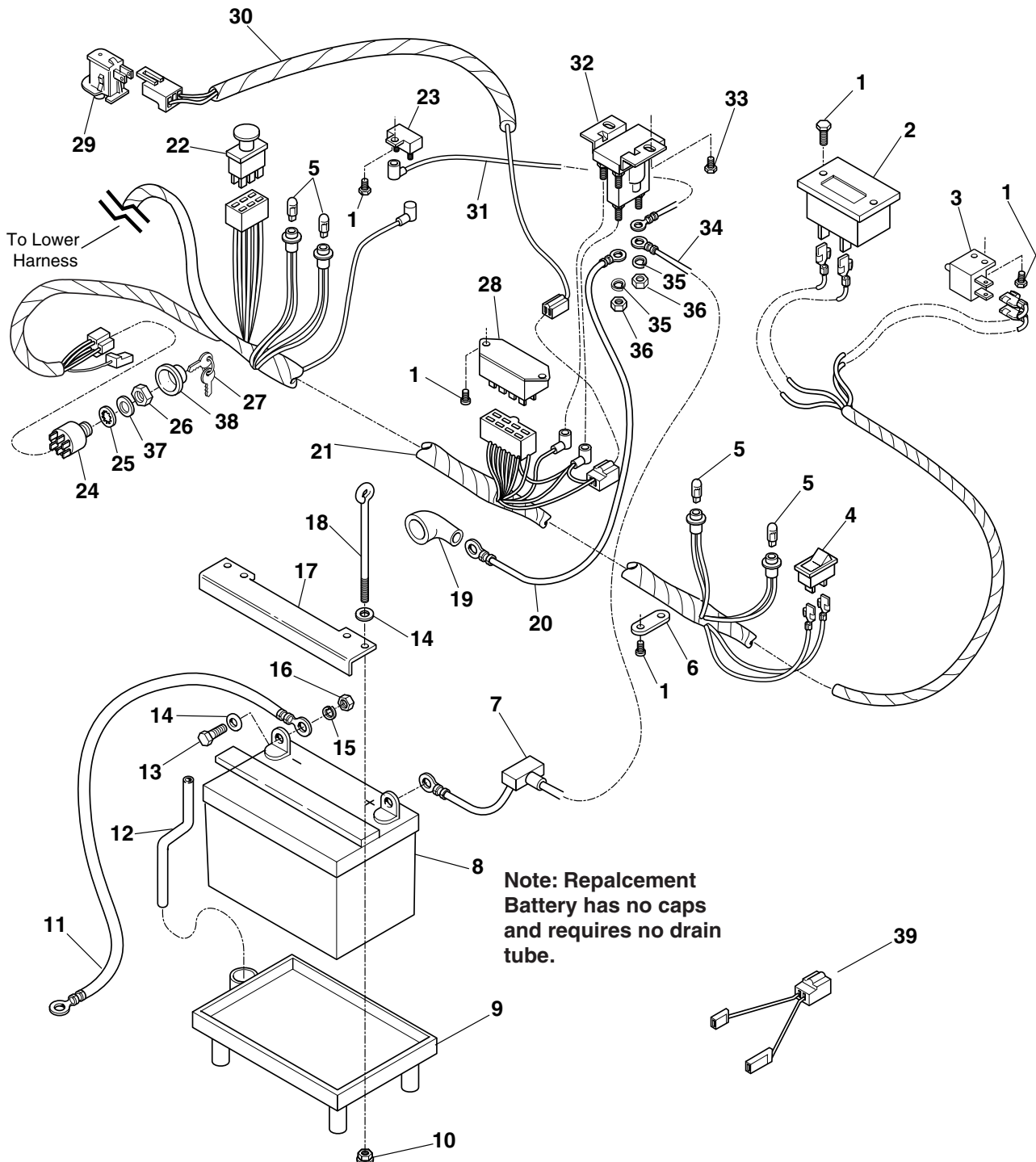
**The above parts group applies to the following Mfg. Nos.:**

1693694 Broadmoor 17HP Hydro	1693700 12617HC 17HP Hydro	1693843 1615HC, 16HP Hydro
1693696 1617HC 17HP Hydro	1693839 Broadmoor 16HP Hydro	1693845 2615HC, 16HP Hydro
1693698 2617HC 17HP Hydro	1693841 Broadmoor 16HP Hydro (Export)	

# Electrical Group - Main Harness Upper

985704\_Upper

NOTE: Unless noted otherwise, use the standard hardware torque specification chart.



The above parts group applies to the following Mfg. Nos.:

1693694 Broadmoor 17HP Hydro  
 1693696 1617HC 17HP Hydro  
 1693698 2617HC 17HP Hydro

1693700 12617HC 17HP Hydro  
 1693839 Broadmoor 16HP Hydro  
 1693841 Broadmoor 16HP Hydro (Export)

1693843 1615HC, 16HP Hydro  
 1693845 2615HC, 16HP Hydro

## Electrical Group - Main Harness Upper

REF NO.	PART NO.	QTY.	DESCRIPTION
1	1960369	8	CAPSCREW, Plastite, #8-16 x 1/2
2	1715138	1	HOURMETER
3	1701521	1	SWITCH, Neutral
4	1703799	1	SWITCH, Headlight
5	1676130	4	BULB, Indicator Light
6	1704614	1	STRAP, Wire Retainer
7	1677296	1	BOOT, Insulator
8	1685215	1	BATTERY
9	1704112	1	TRAY, Battery
10	1704349	2	NUT, Plastic, 1/4-20
11	1713163	1	CABLE, Battery to Ground
12	1612103	1	HOSE, Battery, Drain
13	923341	2	CAPSCREW, Hex Head, 1/4-20 x 3/4
14	921319	4	WASHER, Plain, 1/4
15	916964	2	LOCKWASHER, 1/4
16	916622	2	NUT, Hex, 1/4-20 UNC
17	1718596	1	HOLD DOWN, Battery
18	1704632	2	ROD, Battery Hold Down
19	122023	1	COVER, Terminal
20	1668819	1	CABLE, Solenoid to Starter
21	1720899	1	WIRE HARNESS, Main
22	1716332	1	SWITCH, PTO Electric Clutch
23	1665238	1	CIRCUIT BREAKER
24	1686734	1	IGNITION SWITCH, 6-Pin, Steel Body (Includes Ref. Nos. 25, 26, 27, 37 & 38)
25	1960547	1	LOCKWASHER, Internal
26	1717549	1	NUT, Hex, Flange
27	1717163	1	KEY, Ignition, Set of 2
28	1703972	1	MODULE
29	1720411	1	SWITCH, Clutch Brake Pedal
30	1709949	1	WIRE ASSEMBLY
31	1665237	1	WIRE ASSEMBLY
32	1685290	1	SOLENOID
33	1960536	2	CAPSCREW, Hex Washer Head, Plastite, 1/4-20 x 1/2
34	1603618	1	CABLE, Battery to Solenoid
35	920426	2	LOCKWASHER, 5/16
36	1920263	2	NUT, Hex, 5/16-24
37	101025	1	WASHER, 5/8 x 1
38	1717550	1	COVER, Ignition Switch
39	1721911	1	WIRE ASSEMBLY, Kohler to Wire Harness

### Footnotes:

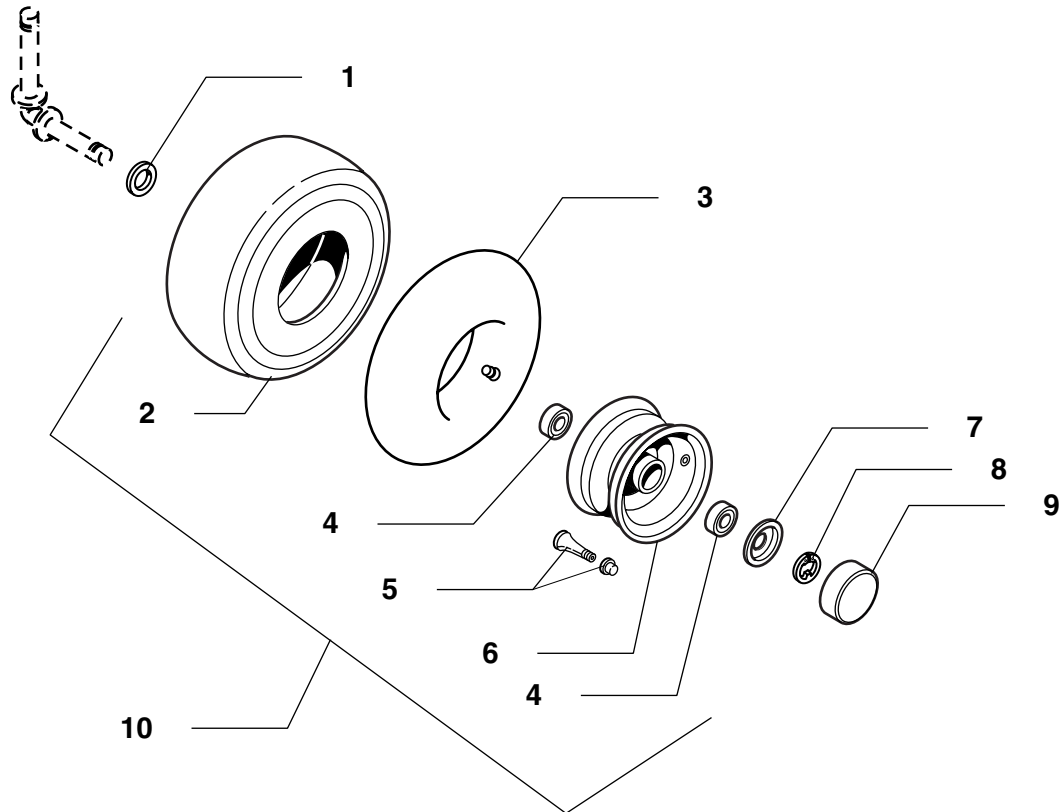
The above parts group applies to the following Mfg. Nos.:

1693694 Broadmoor 17HP Hydro	1693700 12617HC 17HP Hydro	1693843 1615HC, 16HP Hydro
1693696 1617HC 17HP Hydro	1693839 Broadmoor 16HP Hydro	1693845 2615HC, 16HP Hydro
1693698 2617HC 17HP Hydro	1693841 Broadmoor 16HP Hydro (Export)	

## Front Wheels & Tires Group

985703\_Front\_Wheels

NOTE: Unless noted otherwise,  
use the standard hardware torque  
specification chart.



The above parts group applies to the following Mfg. Nos.:

1693694 Broadmoor 17HP Hydro  
1693696 1617HC 17HP Hydro  
1693698 2617HC 17HP Hydro

1693700 12617HC 17HP Hydro  
1693839 Broadmoor 16HP Hydro  
1693841 Broadmoor 16HP Hydro (Export)

1693843 1615HC, 16HP Hydro  
1693845 2615HC, 16HP Hydro

### Front Wheels & Tires Group

REF NO.	PART NO.	QTY.	DESCRIPTION
1	1960160	2	WASHER, Special 3/4 (Install to the inside of wheel)
2	1713166	2	TIRE, 15 x 6.00-6 (Dico)
3	1664090	2	TUBE, 4.10/3.50-6
4	1720098	4	BALL BEARING
5	172353	2	VALVE STEM & CAP
6	1720097	2	WHEEL ASSEMBLY, Metallic Gray (Includes Ref. No. 4)
7	960202	2	RETAINER, Cap, Hub
8	1611710	2	RING, Retaining
9	1722675	2	CAP, Hub
10	1716134	2	WHEEL & TIRE ASSEMBLY 15 x 6.00-6, Metallic Gray (Includes Ref. Nos. 2, 4, 5, & 6)

**Footnotes:**

---

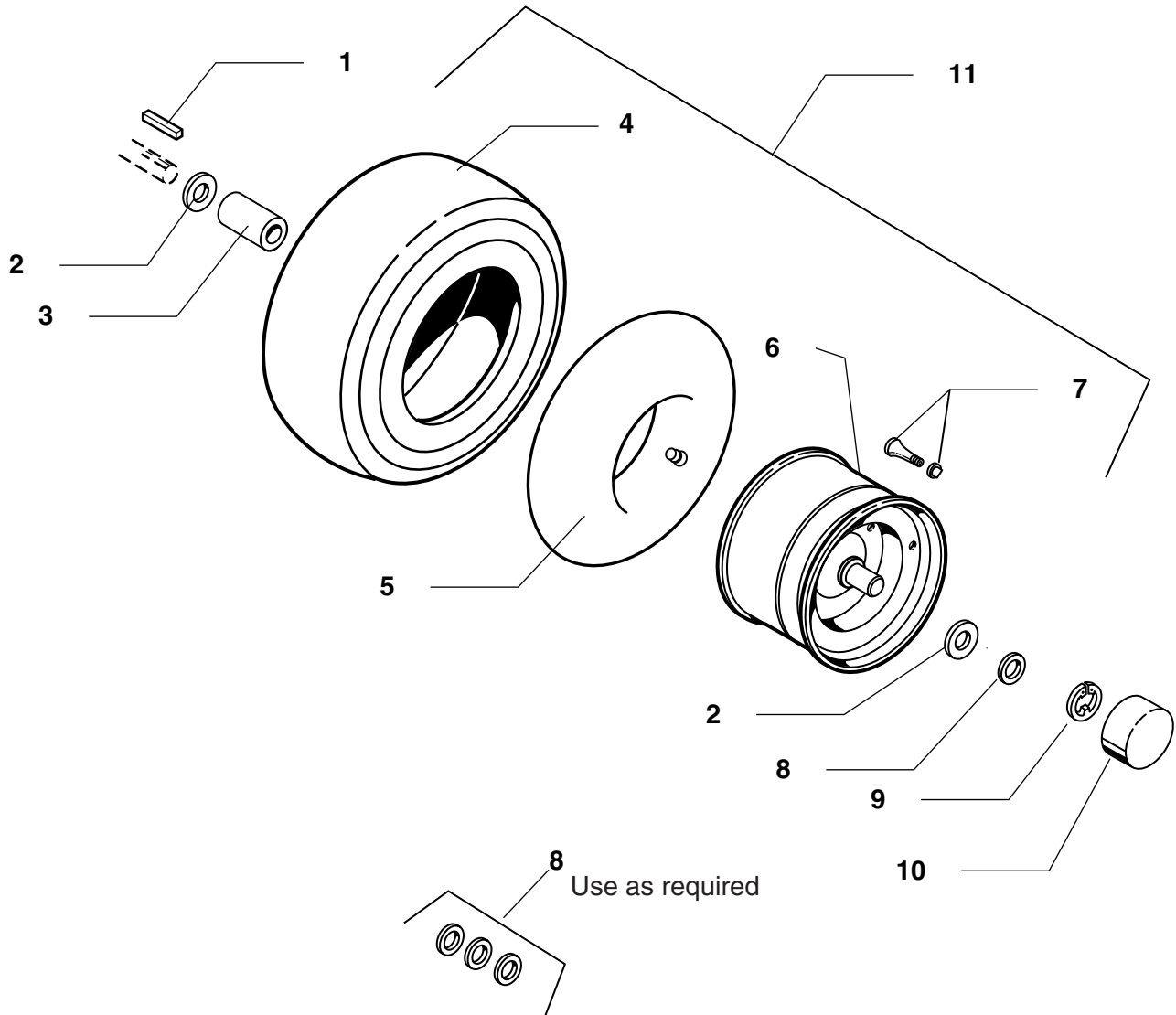
**The above parts group applies to the following Mfg. Nos.:**

1693694 Broadmoor 17HP Hydro	1693700 12617HC 17HP Hydro	1693843 1615HC, 16HP Hydro
1693696 1617HC 17HP Hydro	1693839 Broadmoor 16HP Hydro	1693845 2615HC, 16HP Hydro
1693698 2617HC 17HP Hydro	1693841 Broadmoor 16HP Hydro (Export)	

## Rear Wheels & Tires Group

985703\_Rear\_Wheel

NOTE: Unless noted otherwise,  
use the standard hardware torque  
specification chart.



The above parts group applies to the following Mfg. Nos.:

1693694 Broadmoor 17HP Hydro  
1693696 1617HC 17HP Hydro  
1693698 2617HC 17HP Hydro

1693700 12617HC 17HP Hydro  
1693839 Broadmoor 16HP Hydro  
1693841 Broadmoor 16HP Hydro (Export)

1693843 1615HC, 16HP Hydro  
1693845 2615HC, 16HP Hydro



### **Rear Wheels & Tires Group**

<b>REF NO.</b>	<b>PART NO.</b>	<b>QTY.</b>	<b>DESCRIPTION</b>
1	1711149	2	KEY
2	960202	2	WASHER
3	1717451	2	SPACER
4	1715235	2	TIRE, 20 x 10.00-8
5	173477	2	TUBE (Service only)
6	1716132	2	WHEEL ASSEMBLY, 20 x 10.00-8
7	172353	2	VALVE STEM & CAP
8	1919394	2	WASHER, Optional (Use as Required)
9	927794	2	E-Ring
10	1722675	2	CAP, Hub
11	1716134	2	WHEEL & TIRE ASSEMBLY, 20 x 10.00-8 (Includes Ref. Nos. 4, 6 & 7)

### **Footnotes:**

---

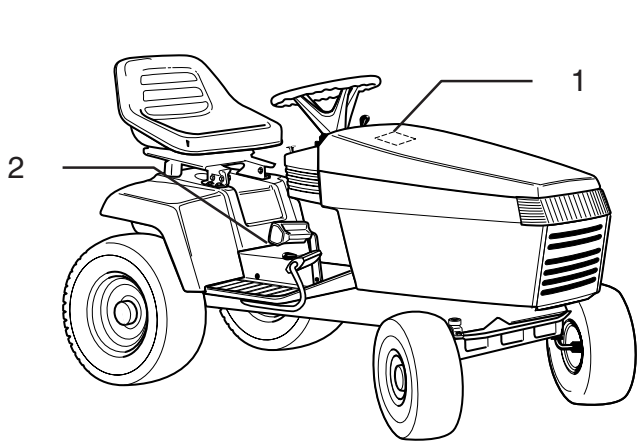
**The above parts group applies to the following Mfg. Nos.:**

1693694 Broadmoor 17HP Hydro	1693700 12617HC 17HP Hydro	1693843 1615HC, 16HP Hydro
1693696 1617HC 17HP Hydro	1693839 Broadmoor 16HP Hydro	1693845 2615HC, 16HP Hydro
1693698 2617HC 17HP Hydro	1693841 Broadmoor 16HP Hydro (Export)	

# Decal Group - Safety & Common

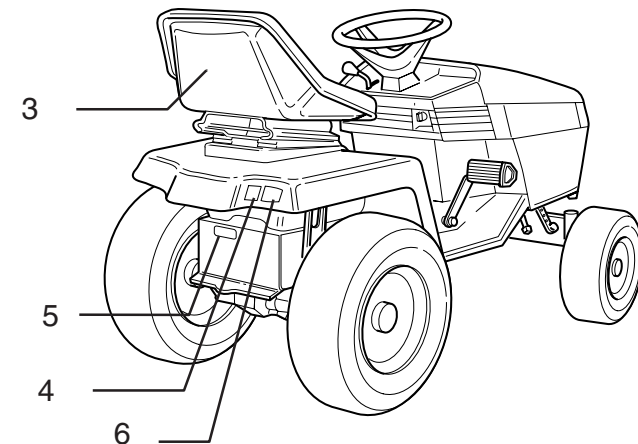
BMHC\_Comm\_Decals

**NOTE:** Unless noted otherwise, use the standard hardware torque specification chart.



LAWN TRACTORS DRIVE BELTS & MOWER BLADES	
Transmission Belt	
Gas	1657044
Hydro	1672135
30" Mower	
Drive Belt	1716854
Mower Blade - Left	1704856
Mower Blade - Right	1704191
44" Mower	
Deck Drive Belt	167031
Drive Belt	161672
Mower Belt	1704190
30" / 44" Snowthrower Drive Belt	1678241

For safety and reliability, insist on genuine Simplicity Manufacturing, Inc. belts and blades. Your name stamped on the part is your assurance of quality.



**⚠ DANGER**

**ROTATING BLADES CUT OFF ARMS AND LEGS**

STOP MOWER WHEN CHILDREN ARE NEAR. NO RIDERS — THEY FALL OFF.

**OPERATION**

**To Start Engine:**

- Seat must be occupied, ground speed control lever in neutral, PTO switch off, and clutch/brake pedal depressed.

**When Operator Leaves Seat:**

- Put ground speed control lever in neutral, turn PTO switch off, and set parking brake.

**Traction Control:**

- To stop tractor motion, fully depress clutch/brake pedal.
- On hydrostatic drive tractors, movement of traction lever from neutral, in either direction, increases ground speed.

**To Operate PTO Clutch:**

- The operator must be in the seat.
- To engage PTO, pull PTO switch up.
- To disengage PTO, push PTO switch down.

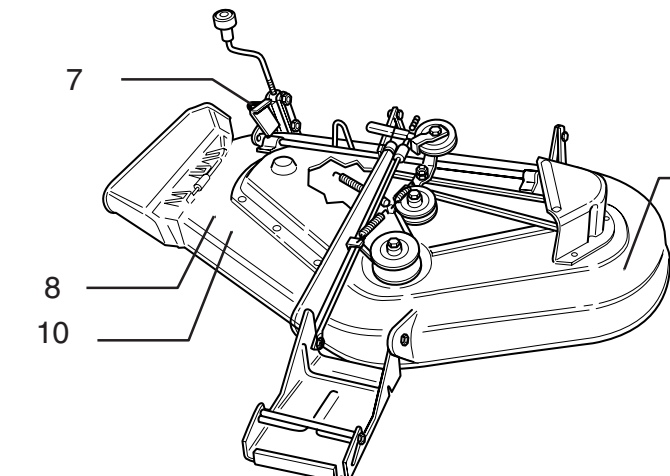
Choke      PTO Switch      Ignition Switch

**Parking Brake:**

- To Set Parking Brake: Push knob OUT while clutch/brake pedal is depressed.
- To Release Parking Brake: Release clutch/brake pedal while holding knob.

Clutch/Brake Pedal      Mower Lift Control Lever

**DO NOT TOW TRACTOR!**  
Damage may result to transmission



3

4

**TRANSMISSION RELEASE**  
**PULL ROD BACK TO PUSH TRACTOR**  
 1720543

7

8

**⚠ DANGER**

**ROTATING CUTTING BLADE**  
Do not operate mower without deflector or entire grass catcher in place.

9

**⚠ DANGER**

**ROTATING CUTTING BLADE**  
Do not put hands or feet under mower deck while blade is rotating.

HI

•

3

•

2

•

1

LO

The above parts group applies to the following Mfg. Nos.:

- |   |   |                                 |
|---|---|---------------------------------|
| 1693694 Broadmoor, 17 HP Hydro          | 1693839 Broadmoor, 16 HP Hydro          | 1692684 44" Mower Deck          |
| 1693696 Broadmoor, 17 HP Hydro (Export) | 1693841 Broadmoor, 16 HP Hydro (Export) | 1692685 44" Mower Deck          |
| 1693698 1617HC, 17 HP Hydro             | 1693843 1615HC, 16 HP Hydro             | 1693171 44" Mower Deck (Export) |
| 1693700 2617HC, 17 HP Hydro             | 1693845 2615HC, 16 HP Hydro             | 1694062 44" Mower Deck          |

**Decal Group - Safety & Common**

REF NO.	PART NO.	QTY.	DESCRIPTION
1	1721032	1	DECAL, Belt, Blade
2	1716528	1	DECAL, Operating Instructions, Hand Control
3	1708927	1	DECAL, USA Logo
4	*	1	DECAL, CE (Export Models Only)
5	1720543	1	DECAL, Transmission Release Valve
6	1715637	1	DECAL, Power/Mass (Export Models Only)
7	1721197	1	DECAL, Mower Height
8	1704277	1	DECAL, Danger (Chute in place)
9	1704276	1	DECAL, Danger (Hand under deck)
10	1704478	1	DECAL, Cutting Width 44"
11	*	1	DECAL, OPEI (Not serviced)
12	*	1	I.D. PLATES (Not serviced)

**Footnotes:**

\* Not a serviceable part.

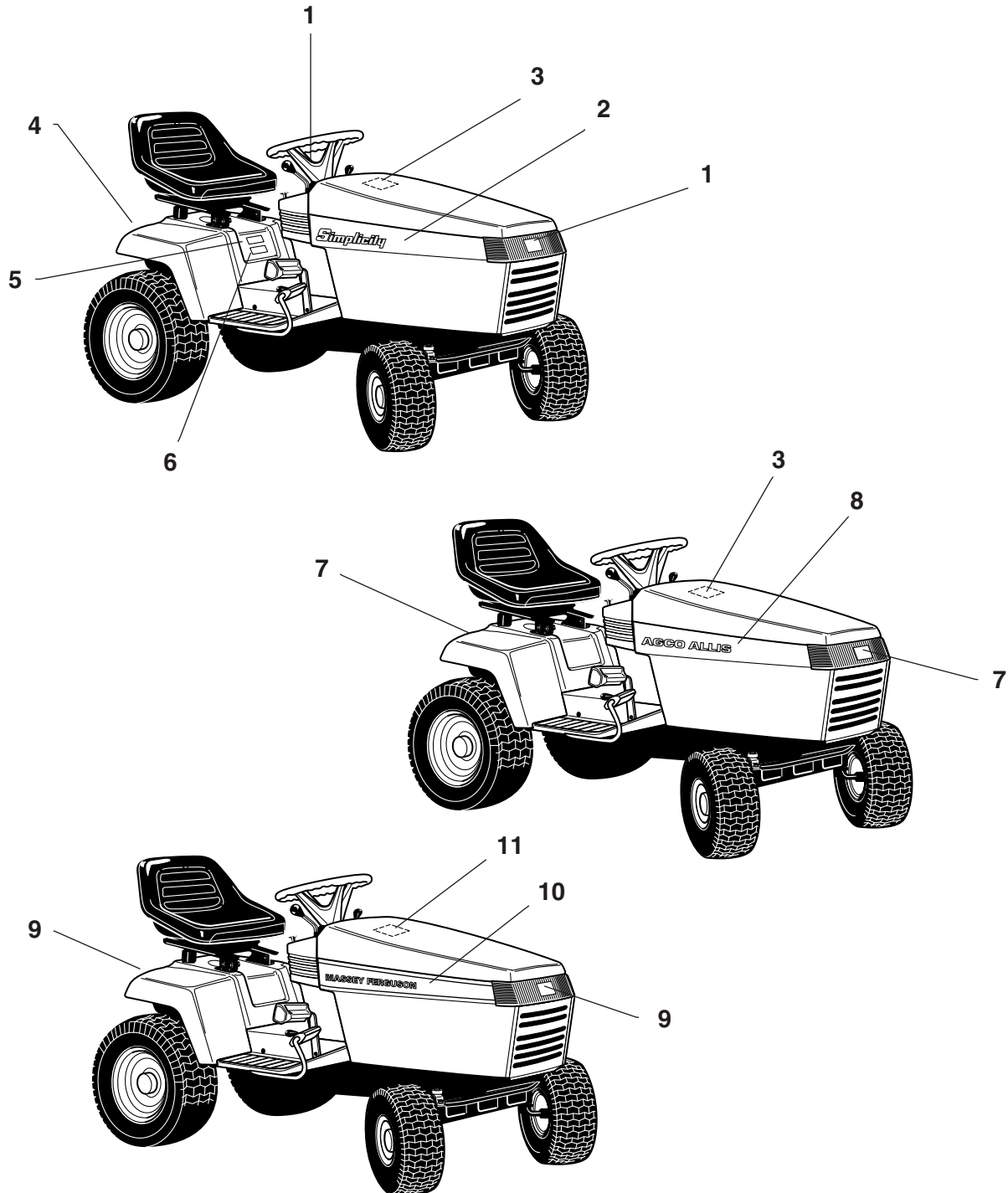
**The above parts group applies to the following Mfg. Nos.:**

693694 Broadmoor, 17 HP Hydro	1693839 Broadmoor, 16 HP Hydro	1692684 44" Mower Deck
1693696 Broadmoor, 17 HP Hydro (Export)	1693841 Broadmoor, 16 HP Hydro (Export)	1692685 44" Mower Deck
1693698 1617HC, 17 HP Hydro	1693843 1615HC, 16 HP Hydro	1693171 44" Mower Deck (Export)
1693700 2617HC, 17 HP Hydro	1693845 2615HC, 16 HP Hydro	1694062 44" Mower Deck

## Decal Group - Brand & Model

BMHC\_Brand\_Decals

NOTE: Unless noted otherwise,  
use the standard hardware torque  
specification chart.



The above parts group applies to the following Mfg. Nos.:

1693694 Broadmoor, 17 HP Hydro	1693839 Broadmoor, 16 HP Hydro	1692684 44" Mower Deck
1693696 Broadmoor, 17 HP Hydro (Export)	1693841 Broadmoor, 16 HP Hydro (Export)	1692685 44" Mower Deck
1693698 1617HC, 17 HP Hydro	1693843 1615HC, 16 HP Hydro	1693171 44" Mower Deck (Export)
1693700 2617HC, 17 HP Hydro	1693845 2615HC, 16 HP Hydro	1694062 44" Mower Deck

**Decal Group - Brand & Model**

REF NO.	PART NO.	QTY.	DESCRIPTION
1	1717692	2	DECAL, Simplicity Icon
2	1717699	1	DECAL, RH Hood, Simplicity
2	1717700	1	DECAL, LH Hood, Simplicity
3	1720454	1	DECAL, Paint, Simplicity & AGCO-Allis
4	1718508	1	DECAL, Simplicity Logo with Icon
5	1717701	1	DECAL, Seat Deck, Broadmoor, Simplicity
6	1719878	1	DECAL, Model, Simplicity Broadmoor - Hydro 17V-Twin
7	1708926	2	DECAL, AGCO-Allis Icon
8	1708811	1	DECAL, LH Hood - AGCO-Allis 1617HC Hydro
8	1708812	1	DECAL, RH Hood - AGCO-Allis 1617HC Hydro
8	1723121	1	DECAL, LH Hood - AGCO
8	1723122	1	DECAL, RH Hood - AGCO
9	1714363	2	DECAL, Massey Ferguson Icon
10	1719124	1	DECAL, LH Hood, Massey Ferguson 2617HC Hydro
10	1719125	1	DECAL, RH Hood, Massey Ferguson 2617HC Hydro
11	1717449	1	DECAL, Paint, Massey Ferguson

**Footnotes:**

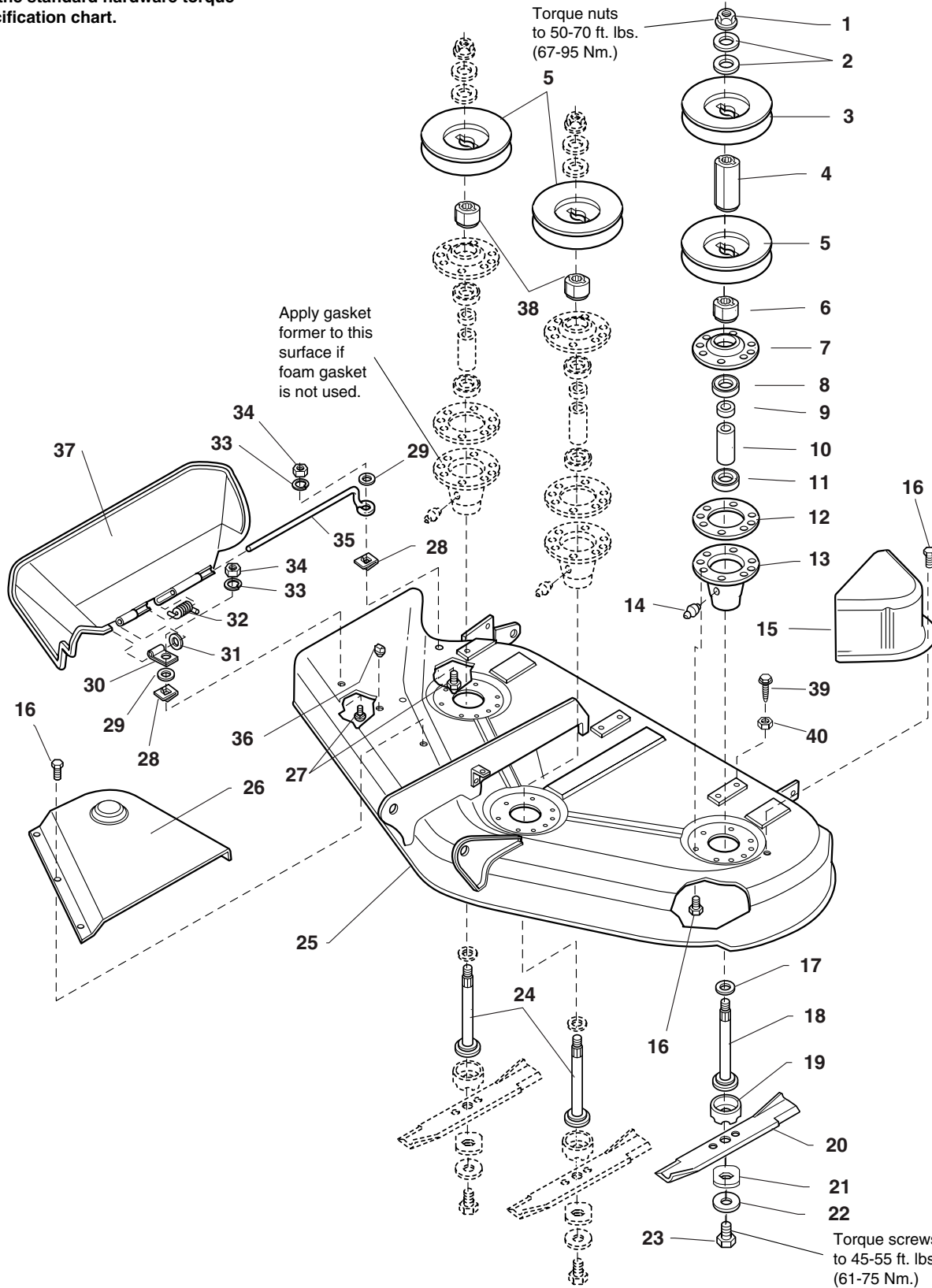
**The above parts group applies to the following Mfg. Nos.:**

693694 Broadmoor, 17 HP Hydro	1693839 Broadmoor, 16 HP Hydro	1692684 44" Mower Deck
1693696 Broadmoor, 17 HP Hydro (Export)	1693841 Broadmoor, 16 HP Hydro (Export)	1692685 44" Mower Deck
1693698 1617HC, 17 HP Hydro	1693843 1615HC, 16 HP Hydro	1693171 44" Mower Deck (Export)
1693700 2617HC, 17 HP Hydro	1693845 2615HC, 16 HP Hydro	1694062 44" Mower Deck

# 44" Mower Deck - Housing, Arbors & Blades

984946B

**NOTE:** Unless noted otherwise, use the standard hardware torque specification chart.



**The above parts group applies to the following Mfg. Nos.:**

- 1692684 44" Mower Deck
- 1692685 44" Mower Deck
- 1693171 44" Mower Deck (Export)
- 1694062 44" Mower Deck

## 44" Mower Deck - Housing, Arbors & Blades

REF NO.	PART NO.	QTY.	DESCRIPTION
1	1714419	3	NUT, Hex Flange, 9/16-8
2	1713675	6	WASHER, Belleville
3	1713161	1	PULLEY, 4.25 OD
4	1713158	1	HUB, Double Pulley, LH Arbor
5	1713098	3	PULLEY, 4.25 OD
6	1713533	1	HUB, Double Pulley, LH Arbor
7	1655729	3	COVER, Arbor Housing
8	108202	3	BEARING
9	1715724	3	SPACER, Bearing Sleeve
10	1715723	3	SPACER
11	1705897	3	BEARING
12	1707335	3	GASKET, Foam
13	1713338	3	ARBOR HOUSING ASSEMBLY (Includes Ref. No. 14)
14	1704314	3	FITTING, Grease
15	1720560	1	COVER, Arbor
16	1664847	25	CAPSCREW, Taptite, 5/16-18 x 3/4
17	1713619	3	WASHER
18	1713612	1	SHAFT, Arbor (LH)
19	1713196	3	SHIELD, Grass, Lower
20	1704100	3	BLADE, Mower, 16-1/8", 44" Deck
21	1713089	3	WASHER, Hex
22	1656916	3	WASHER, Spring
23	923471	3	CAPSCREW, Hex Head, 7/16-14 x 1-1/4
24	1713195	2	SHAFT, Arbor (Center & RH)
25	1685411	1	MOWER HOUSING ASSEMBLY, 44" Mower (Orange)
25	41685411	1	MOWER HOUSING ASSEMBLY, 44" Mower (Red)
25	61685411	1	MOWER HOUSING ASSEMBLY, 44" Mower (Black)
26	1703601	1	COVER, Arbor
27	1931318	2	CARRIAGE BOLT, 1/4-20 x 7/8
28	1960518	2	NUT, Push
29	1960353	2	WASHER, Plain
30	1704873	1	CLAMP
31	1919326	1	WASHER, 5/16
32	1705080	1	SPRING
33	1916964	2	LOCKWASHER, 1/4
34	1916622	2	NUT, Hex, 1/4-20 UNC
35	1706709	1	ROD, Deflector, Front
36	1705115	1	PLUG, Hole
37	1705449	1	DEFLECTOR, Plastic
38	1713197	2	HUB, Pulley, RH & Center Arbor
39	1924856	4	SCREW, Hex HeadTaptite, 5/16-18 x 1/2, as required
40	1931277	1	NUT, Hex, 5/16-18

### Footnotes:

---

#### The above parts group applies to the following Mfg. Nos.:

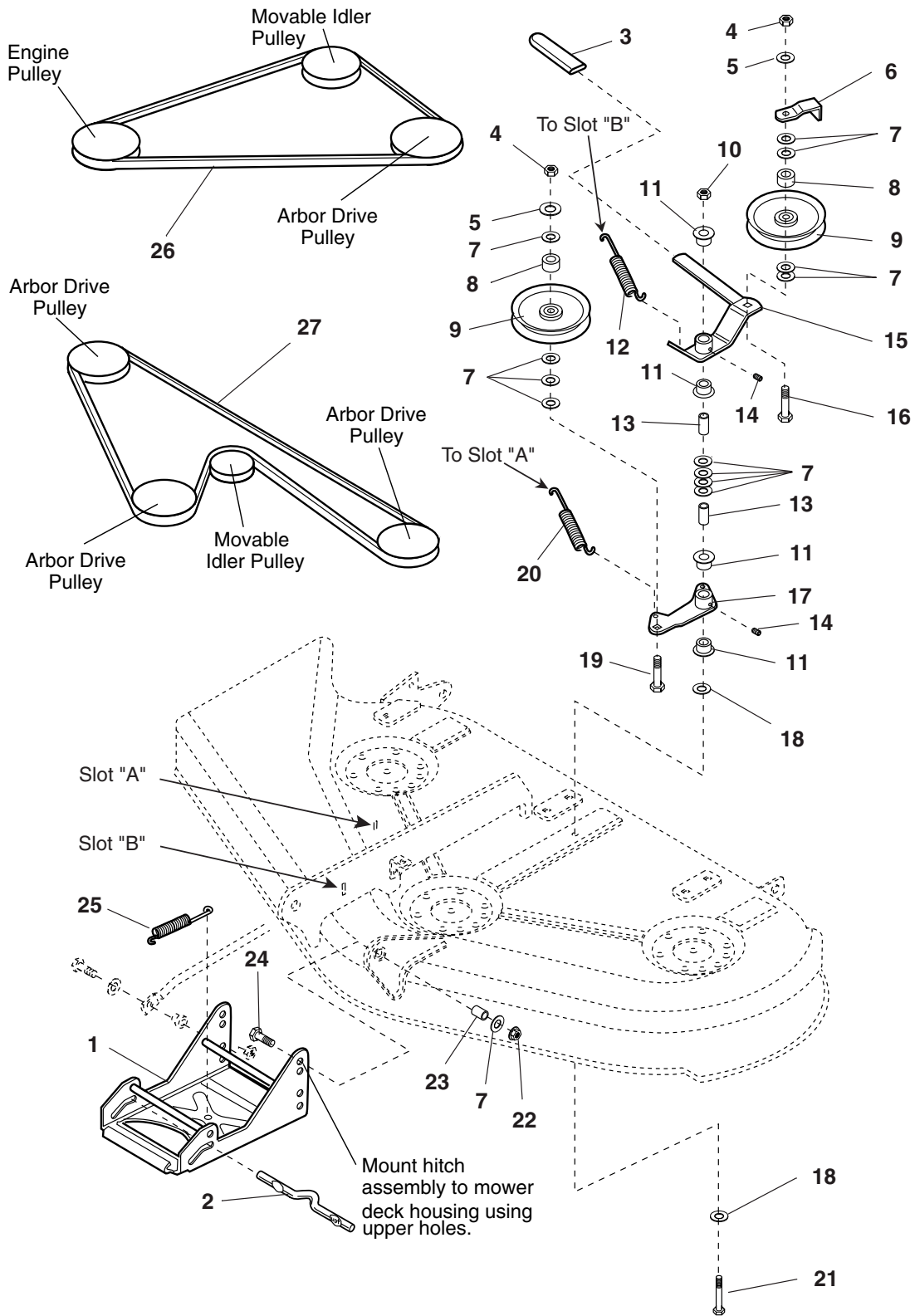
1692684 44" Mower Deck  
1692685 44" Mower Deck  
1693171 44" Mower Deck (Export)

1694062 44" Mower Deck

# 44" Mower Deck - Belt, Pulley, & Hitch

983858B

NOTE: Unless noted otherwise, use the standard hardware torque specification chart.



The above parts group applies to the following Mfg. Nos.:

- 1692684 44" Mower Deck
- 1692685 44" Mower Deck
- 1693171 44" Mower Deck (Export)
- 1694062 44" Mower Deck



## 44" Mower Deck - Belt, Pulley, & Hitch

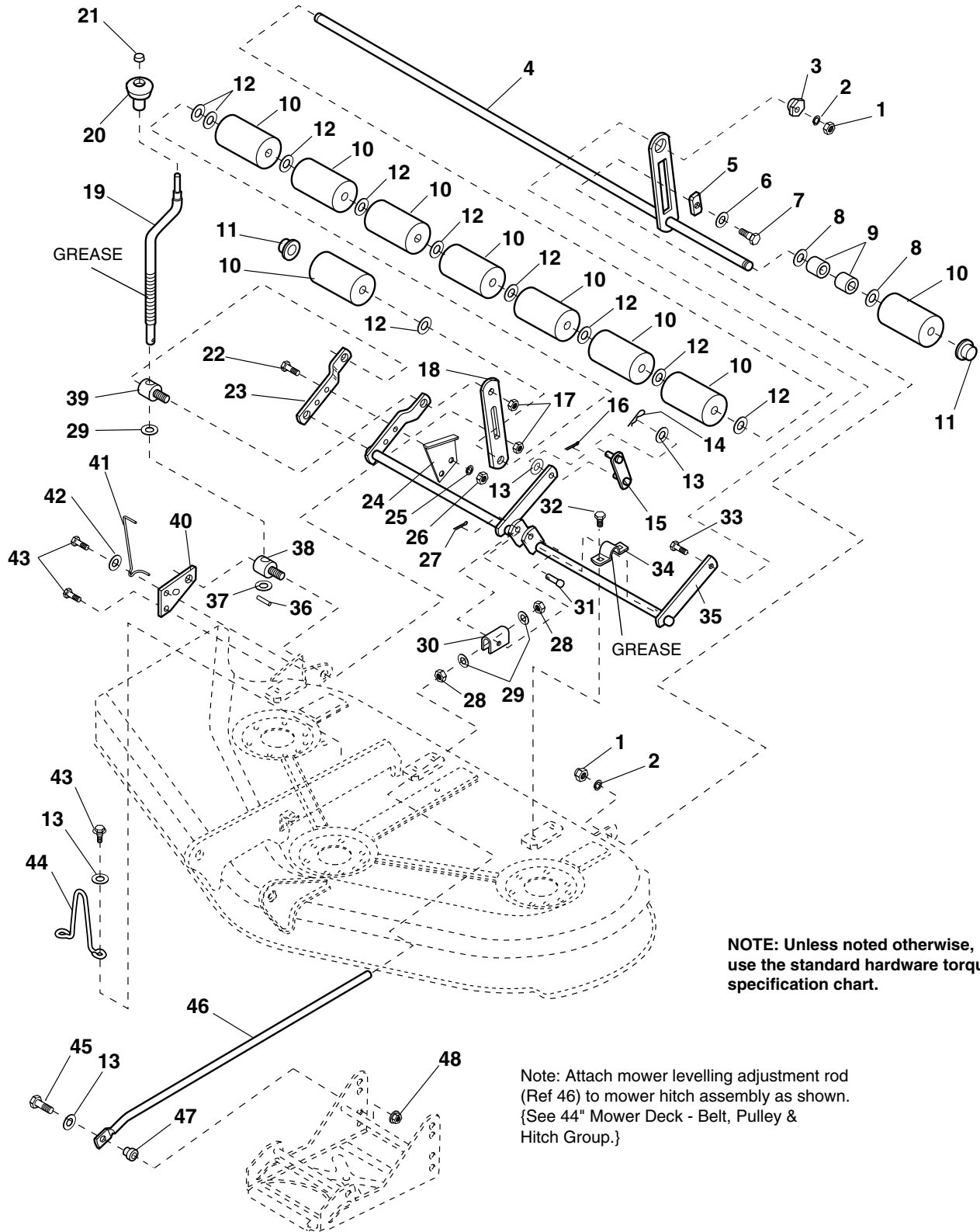
REF NO.	PART NO.	QTY.	DESCRIPTION
1	1707432	1	HITCH ASSEMBLY
2	1715759	1	ROD, Latch
3	1665835	1	GRIP, Lever
4	1916950	2	NUT, Hex, 3/8-16
5	1916965	2	LOCKWASHER, 3/8
6	1677135	1	BELT STOP, Idler
7	1924940	14	WASHER, Plain, 13/32
8	1666294	2	SPACER
9	1685150	2	PULLEY, Idler (Includes Ref. No. 8)
10	1930645	1	NUT, Hex Flange, 2-Way Lock, 3/8-16
11	1676148	4	BUSHING
12	1715435	1	SPRING
13	1674669	2	SPACER
14	912808	2	FITTING, Grease
15	1704658	1	LEVER ASSEMBLY, Idler (Includes Ref. Nos. 11 & 14)
16	1960315	1	CARRIAGE BOLT, 3/8-16 x 2
17	1718561	1	LEVER ASSEMBLY, Idler Arm (Includes Ref. Nos. 11 & 14)
18	1924356	2	WASHER, 3/8
19	1931352	1	CARRIAGE BOLT, 3/8-16 x 1-1/2
20	1656936	1	SPRING
21	1923938	1	CAPSCREW, Hex Head, 3/8-16 x 3-1/2
22	960641	2	NUT, Hex Alm Insert, 3/8-16
23	157081	2	SPACER
24	1921969	2	CAPSCREW, Hex Head, 3/8-16 x 1-1/2
25	156302	1	SPRING
26	1721532	1	V-BELT, Arbor Drive, 44" Deck
27	1601672	1	V-BELT, Mower Drive, 44" Deck

### Footnotes:

---

#### The above parts group applies to the following Mfg. Nos.:

1692684 44" Mower Deck                      1694062 44" Mower Deck  
1692685 44" Mower Deck  
1693171 44" Mower Deck (Export)



**NOTE: Unless noted otherwise, use the standard hardware torque specification chart.**

Note: Attach mower levelling adjustment rod (Ref 46) to mower hitch assembly as shown. {See 44" Mower Deck - Belt, Pulley & Hitch Group.}

**The above parts group applies to the following Mfg. Nos.:**

- |                        |                                 |
|------------------------|---------------------------------|
| 1692684 44" Mower Deck | 1693171 44" Mower Deck (Export) |
| 1692685 44" Mower Deck | 1694062 44" Mower Deck          |

## 44" Mower Deck - Height Adjustment & Rollers

REF NO.	PART NO.	QTY.	DESCRIPTION
1	916950	2	NUT, Hex, 3/8-16
2	916965	2	LOCKWASHER, 3/8
3	1704082	1	NUT, Adjuster
4	1685443	1	SHAFT ASSEMBLY, Roller, 44" (Includes Ref. Nos. 8, 9 & 11)
5	1677507	1	SLIDE
6	1924361	1	WASHER, Plain, 1/2
7	172622	1	BOLT, Shoulder, 3/8-16
8	1960020	2	WASHER, 5/8
9	1602946	2	SPACER
10	1668513	9	ROLLER
11	1960520	2	NUT, Push
12	1924366	12	WASHER, Plain, 1-1/4
13	1924940	9	WASHER, Plain, 13/32
14	176012	1	CLIP, Pin, Safety
15	1705049	1	LINK ASSEMBLY, Lift
16	1918448	1	COTTER PIN
17	1930644	2	NUT, Hex Flange Lock, 1/2-13
18	1704074	1	BAR, Roller
19	1704094	1	CRANK, Cutting Height
20	1714084	1	KNOB, Height Crank
21	1960093	1	PAL NUT
22	1921977	2	CAPSCREW, Hex Head, 5/16-18 x 1-1/4
23	1704083	1	ARM, Rear, Mower, RH
24	1704116	1	BRACKET, Cutting Height
25	1917356	2	LOCKWASHER, 5/16
26	1917372	2	NUT, Hex, 5/16-18
27	1918452	1	COTTER PIN
28	1913744	2	NUT, Hex Jam, 1/2-13
29	1960170	5	WASHER, 5/8
30	1704081	1	TRUNNION
31	118053	1	PIN, Clevis
32	1664847	6	CAPSCREW, Taptite, 5/16-18 x 3/4
33	1931352	1	CARRIAGE BOLT, 3/8-16 x 1-1/2
34	1665374	3	STRAP, Mower Arm Assembly
35	1704103	1	ARM ASSEMBLY, Mower
36	916001	1	PIN, Roll
37	1704097	1	WASHER, Detent
38	1704086	1	TRUNNION
39	1704087	1	TRUNNION, Threaded
40	1704080	1	PLATE, Mower Support
41	1704114	1	INDICATOR, Cutting Height, Rod
42	1919381	1	WASHER, Flat, 5/16
43	1931202	4	CAPSCREW, Taptite, 5/16-18 x 1-1/4
44	1704098	1	UP-STOP, Mower
45	1922606	1	CAPSCREW, Hex Head, 3/8-16 x 1-3/4
46	1704093	1	ROD, Adjustment
47	1706644	1	SPACER
48	1928352	1	NUT, Hex Flange, 3/8-16

### Footnotes:

---

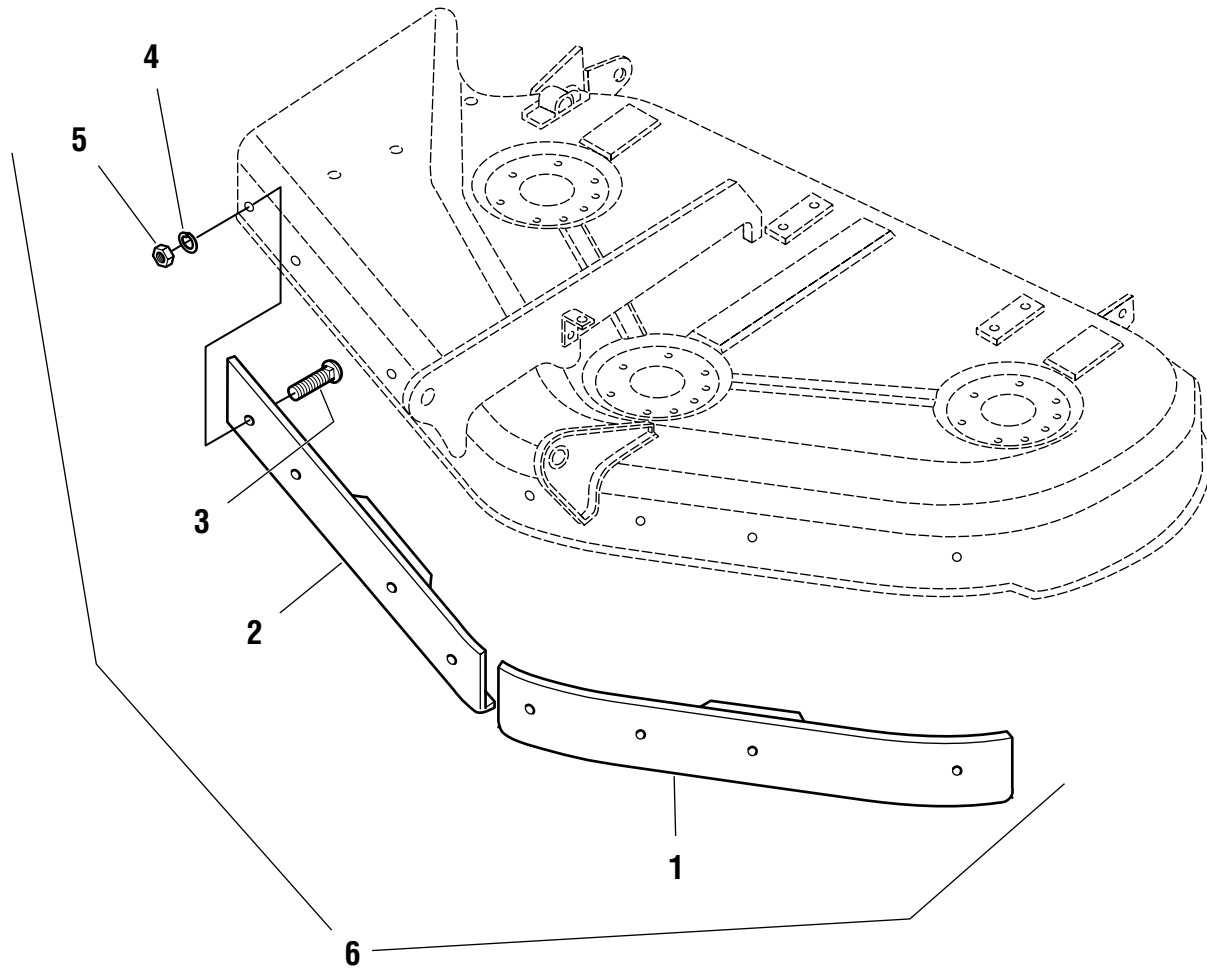
#### The above parts group applies to the following Mfg. Nos.:

1692684 44" Mower Deck      1693171 44" Mower Deck (Export)  
1692685 44" Mower Deck      1694062 44" Mower Deck

## 44" Anti-Blowout Baffles

1686690

NOTE: Unless noted otherwise,  
use the standard hardware torque  
specification chart.



The above parts group applies to the following Mfg. Nos.:

1692684 44" Mower Deck

1694062 44" Mower Deck

1692685 44" Mower Deck

1693171 44" Mower Deck (Export)

### **44" Anti-Blowout Baffles**

---

<b>REF NO.</b>	<b>PART NO.</b>	<b>QTY.</b>	<b>DESCRIPTION</b>
1	1716879	1	BAFFLE, LH for 44" Mower
2	1716878	1	BAFFLE, RH for 44" Mower
3	1931332	8	CARRIAGE BOLT, 5/16-18 x 5/8
4	1917356	8	WASHER, Lock, 5/16
5	1917372	8	NUT, Hex, 5/16-18
6	1686690	1	ANTI BLOWOUT BAFFLE KIT, (Includes Ref. Nos. 1, 2, 3, 4 & 5)

---

**Footnotes:**

---

**The above parts group applies to the following Mfg. Nos.:**

1692684 44" Mower Deck                      1694062 44" Mower Deck  
1692685 44" Mower Deck  
1693171 44" Mower Deck (Export)

## Part Number Index by Page Number

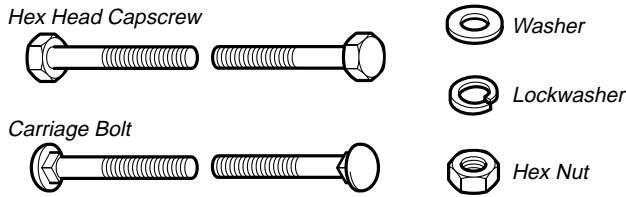
Part No.	Page No	Ref No.	Part No.	Page No	Ref No.	Part No.	Page No	Ref No.	Part No.	Page No	Ref No.	Part No.	Page No	Ref No.
*	6	1	1602946	40	9	1703512	4	18	1704724	22	19	1709896	10	33
**	8	2	1603618	26	34	1703513	4	15	1704728	22	16	1709903	16	9
*	8	3	1611705	4	36	1703601	36	26	1704756	18	10	1709949	26	30
*	8	23	1611710	28	8	1703799	26	4	1704825	18	12	1709950	16	24
*	8	33	1612103	26	12	1703900	10	23	1704873	36	30	1711149	30	1
*	32	4	1650670	6	37	1703945	24	1	1704877	24	12	1713089	36	21
*	32	11	1654930	22	22	1703946	24	5	1704878	20	30	1713098	36	5
*	32	12	1655729	36	7	1703968	2	2	1704879	20	18	1713158	36	4
101025	26	37	1655811	10	34	1703971	6	24	1704927	20	15	1713161	36	3
105337	** 6	38	1656916	36	22	1703971	8	26	1705049	40	15	1713163	26	11
105337	*** 8	40	1656936	38	20	1703972	26	28	1705080	36	32	1713166	28	2
108202	36	8	1663114	16	3	1704074	40	18	1705115	36	36	1713195	36	24
118053	40	31	1663752	22	9	1704080	40	40	1705248	20	25	1713196	36	19
122023	26	19	1664090	28	3	1704081	40	30	1705249	20	24	1713197	36	38
156302	38	25	1664847	36	16	1704082	40	3	1705347	8	32	1713300	6	34
157081	38	23	1664847	40	32	1704083	40	23	1705358	6	16	1713301	20	1
159106	10	8	1665237	26	31	1704086	40	38	1705358	8	18	1713302	6	35
171241	6	9	1665238	26	23	1704087	40	39	1705449	36	37	1713316	20	2
171241	8	13	1665374	40	34	1704093	40	46	1705590	18	3	1713338	36	13
171600	20	19	1665835	38	3	1704094	40	19	1705897	36	11	1713480	16	34
172353	28	5	1666294	38	8	1704097	40	37	1705921	24	10	1713533	36	6
172353	30	7	1666759	16	10	1704098	40	44	1706644	40	47	1713612	36	18
172434	22	6	1667346	8	12	1704100	36	20	1706709	36	35	1713619	36	17
172622	40	7	1668513	40	10	1704103	40	35	1706956	4	35	1713675	36	2
173206	6	8	1668819	26	20	1704108	22	23	1706996	4	37	1713843	18	15
173206	8	8	1670675	20	5	1704112	26	9	1706997	4	32	1713846	6	4
173477	30	5	1673453	8	11	1704114	40	41	1707137	22	30	1713846	8	4
174561	16	11	1673796	4	20	1704116	40	24	1707325	20	1	1713851	18	16
176012	40	14	1674358	24	7	1704276	32	9	1707326	20	2	1713855	16	35
176440	2	8	1674669	38	13	1704277	32	8	1707335	36	12	1714065	6	3
176440	4	12	1676130	26	5	1704299	22	13	1707432	38	1	1714065	8	5
176440	18	20	1676148	10	38	1704307	6	10	1707580	20	14	1714084	40	20
176440	20	8	1676148	38	11	1704307	8	22	1707789	12	72	1714097	4	2
912808	38	14	1676183	6	27	1704314	2	9	1707840	12	36	1714363	34	9
916001	40	36	1676183	8	29	1704314	36	14	1707933	10	7	1714400	4	4
916622	26	16	1677135	38	6	1704342	20	16	1708046	2	16	1714419	36	1
916950	40	1	1677296	26	7	1704349	26	10	1708054	22	21	1714441	22	32
916964	26	15	1677370	24	6	1704351	2	5	1708084	4	29	1715002	16	5
916965	40	2	1677371	24	3	1704357	6	22	1708236	4	24	1715138	26	2
920426	8	35	1677507	40	5	1704357	8	24	1708264	6	17	1715235	30	4
920426	26	35	1685150	38	9	1704366	22	20	1708264	8	19	1715262	16	6
920427	6	21	1685215	26	8	1704379	22	35	1708360	10	32	1715308	4	33
921319	26	14	1685290	26	32	1704379	24	8	1708361	22	25	1715435	38	12
923341	26	13	1685411	36	25	1704419	6	11	1708405	6	2	1715637	32	6
923471	36	23	1685443	40	4	1704419	8	14	1708549	6	7	1715723	36	10
927794	10	15	1685478	4	22	1704420	4	30	1708650	12	14	1715724	36	9
927794	30	9	1686651	4	1	1704420	16	16	1708651	12	13	1715759	38	2
930598	6	20	1686690	42	6	1704428	18	19	1708673	12	15	1716117	4	16
930670	4	19	1686734	26	24	1704429	16	33	1708691	12	7	1716128	20	23
932747	6	39	1686823	16	28	1704478	32	10	1708811	34	8	1716132	30	6
932747	8	41	1701011	22	5	1704575	10	42	1708812	34	8	1716134	28	10
934683	6	32	1701011	24	11	1704614	26	6	1708926	34	7	1716134	30	11
934683	8	37	1701229	22	28	1704621	16	4	1708927	32	3	1716332	26	22
960112	6	6	1701229	24	9	1704623	18	8	1709188	20	3	1716528	32	2
960112	8	7	1701521	26	3	1704624	18	11	1709236	18	18	1716878	42	2
960202	10	13	1702779	4	25	1704626	20	26	1709238	20	7	1716879	42	1
960202	28	7	1703240	20	31	1704628	20	28	1709256	22	17	1717163	26	27
960202	30	2	1703248	24	2	1704629	18	14	1709307	22	3	1717449	34	11
960530	2	12	1703249	24	4	1704632	26	18	1709308	22	14	1717451	10	14
960641	38	22	1703475	2	10	1704658	38	15	1709863	16	15	1717451	30	3
1601672	38	27	1703508	4	10	1704723	22	33	1709894	16	7	1717549	26	26

## Part Number Index by Page Number

Part No.	Page No	Ref No.	Part No.	Page No	Ref No.	Part No.	Page No	Ref No.	Part No.	Page No	Ref No.	Part No.	Page No	Ref No.
1717550	26	38	1719124	34	10	1721032	32	1	1921221	10	36	1931353	16	8
1717664	6	15	1719125	34	10	1721133	16	14	1921319	16	32	1931648	22	31
1717664	8	1	1719392	22	34	1721197	32	7	1921319	20	9	1933896	20	21
1717685	10	29	1719712	22	2	1721203	20	22	1921333	6	31	1933958	10	6
1717692	34	1	1719809	22	15	1721532	38	26	1921333	8	34	1934654	2	3
1717699	34	2	1719819	10	45	1721702	22	1	1921333	10	3	1935048	10	18
1717700	34	2	1719845	20	12	1721746	16	29	1921968	4	23	1935255	6	25
1717701	34	5	1719878	34	6	1721911	26	39	1921969	38	24	1935255	8	27
1717749	10	12	1719902	10	46	1722001	10	50	1921977	40	22	1936228	6	36
1717765	16	2	1719978	20	17	1722104	8	36	1922606	40	45	1960020	4	31
1717989	18	4	1720097	28	6	1722675	28	9	1922611	16	26	1960020	16	17
1718039	10	30	1720098	28	4	1722675	30	10	1922755	4	26	1960020	40	8
1718052	12	3	1720122	4	5	1723121	34	8	1922755	16	27	1960044	18	13
1718053	12	4	1720208	10	35	1723122	34	8	1923141	10	4	1960093	40	21
1718054	12	5	1720209	10	44	1901491	8	10	1923141	10	37	1960096	20	20
1718055	12	6	1720210	10	39	1913744	40	28	1923360	10	43	1960114	4	7
1718061	12	40	1720216	10	11	1916622	36	34	1923360	16	31	1960141	10	16
1718068	12	68	1720217	12	52	1916950	38	4	1923362	10	1	1960160	4	34
1718069	12	45	1720218	10	9	1916964	10	48	1923362	16	20	1960160	28	1
1718070	12	60	1720220	10	24	1916964	36	33	1923938	38	21	1960170	40	29
1718071	12	67	1720236	22	27	1916965	38	5	1924356	18	2	1960185	16	21
1718073	12	71	1720411	26	29	1917356	6	29	1924356	38	18	1960206	18	21
1718076	12	11	1720416	12	1	1917356	8	16	1924361	10	27	1960223	10	26
1718077	12	59	1720417	12	8	1917356	10	21	1924361	18	17	1960223	18	1
1718078	12	62	1720418	12	9	1917356	40	25	1924361	40	6	1960251	2	15
1718079	12	47	1720419	12	39	1917356	42	4	1924366	40	12	1960270	2	7
1718080	12	58	1720420	12	2	1917372	6	30	1924856	36	39	1960272	10	40
1718081	12	55	1720421	12	10	1917372	8	31	1924874	10	19	1960295	6	33
1718083	12	57	1720422	12	61	1917372	10	20	1924940	6	12	1960295	8	38
1718084	12	46	1720424	12	12	1917372	40	26	1924940	16	12	1960295	20	10
1718086	12	43	1720425	12	56	1917372	42	5	1924940	22	8	1960315	38	16
1718087	12	44	1720426	12	41	1918199	6	18	1924940	38	7	1960339	16	25
1718088	12	42	1720427	12	31	1918199	8	20	1924940	40	13	1960353	10	47
1718089	12	37	1720429	12	26	1918447	10	10	1925003	20	11	1960353	36	29
1718100	12	32	1720430	12	25	1918447	16	18	1925003	22	26	1960368	6	23
1718102	12	21	1720431	12	24	1918447	18	9	1926106	10	5	1960368	8	25
1718103	12	38	1720432	12	27	1918448	40	16	1928352	4	11	1960368	20	6
1718104	12	66	1720433	12	30	1918452	40	27	1928352	16	13	1960369	26	1
1718107	12	65	1720434	12	34	1919262	4	28	1928352	22	11	1960370	6	19
1718109	12	16	1720436	12	29	1919314	4	6	1928352	40	48	1960370	8	21
1718110	12	17	1720437	12	23	1919326	6	28	1928721	4	14	1960373	4	17
1718111	12	20	1720438	12	28	1919326	8	30	1930598	6	13	1960373	20	27
1718112	12	18	1720439	12	63	1919326	10	22	1930601	20	29	1960405	8	17
1718113	12	19	1720440	12	64	1919326	16	19	1930601	22	29	1960459	22	24
1718114	12	69	1720441	12	22	1919326	36	31	1930644	40	17	1960518	36	28
1718115	12	70	1720442	12	51	1919381	8	15	1930645	4	27	1960520	40	11
1718117	12	48	1720454	34	3	1919381	10	25	1930645	38	10	1960529	4	8
1718119	12	53	1720543	32	5	1919381	18	6	1931202	40	43	1960536	6	5
1718120	12	33	1720560	36	15	1919381	40	42	1931277	10	2	1960536	8	6
1718120	12	50	1720712	2	14	1919394	6	14	1931277	36	40	1960536	26	33
1718121	12	49	1720723	12	35	1919394	8	39	1931318	36	27	1960540	4	3
1718122	12	54	1720724	16	22	1919394	30	8	1931332	10	51	1960547	26	25
1718219	18	5	1720752	2	6	1919438	4	21	1931332	42	3	1960613	10	49
1718508	34	4	1720753	2	13	1919438	18	7	1931337	16	30	41685411	36	25
1718561	38	17	1720876	10	17	1919438	22	18	1931339	22	4	41703240	20	31
1718596	26	17	1720882	16	23	1919439	2	4	1931342	6	26	41704878	20	30
1718678	8	9	1720899	26	21	1919439	10	31	1931342	8	28	41704879	20	18
1718855	2	1	1720914	20	4	1919439	22	7	1931350	4	9	41720236	22	27
1718856	2	11	1720917	10	41	1920263	26	36	1931350	22	10	61685411	36	25
1718858	22	12	1720975	18	22	1920397	20	13	1931352	38	19			
1718944	16	1	1720977	10	28	1921221	4	13	1931352	40	33			

# Hardware Identification & Torque Specifications

## Common Hardware Types

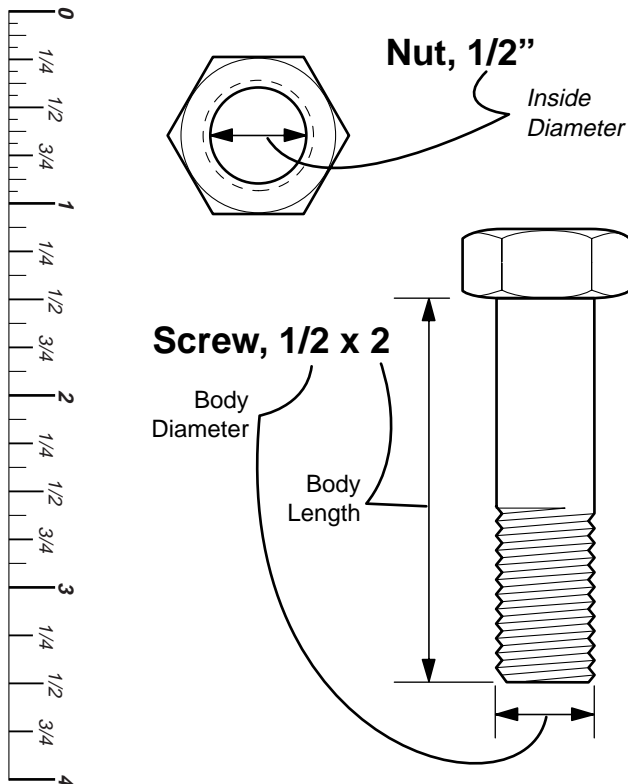


## Standard Hardware Sizing

When a washer or nut is identified as **1/2"**, this is the *Nominal size*, meaning the *inside diameter* is 1/2 inch; if a second number is present it represent the *threads per inch*

When bolt or capscrew is identified as **1/2 - 16 x 2"**, this means the *Nominal size*, or *body diameter* is 1/2 inch; the second number represents the *threads per inch* (16 in this example, and the final number is the *body length* of the bolt or screw (in this example 2 inches long).

**The guides and ruler furnished below are designed to help you select the appropriate hardware and tools.**



## Torque Specification Chart

FOR STANDARD MACHINE HARDWARE (Tolerance ± 20%)

Hardware Grade	No Marks		SAE Grade 2		SAE Grade 5		SAE Grade 8	
	in/lbs	Nm.	in/lbs	Nm.	in/lbs	Nm.	in/lbs	Nm.
8-32	19	2.1	30	3.4	41	4.6		
8-36	20	2.3	31	3.5	43	4.9		
10-24	27	3.1	43	4.9	60	6.8		
10-32	31	3.5	49	5.5	68	7.7		
1/4-20	66	7.6	8	10.9	12	16.3		
1/4-28	76	8.6	10	13.6	14	19.0		
5/16-18	11	15.0	17	23.1	25	34.0		
5/16-24	12	16.3	19	25.8	27	34.0		
3/8-16	20	27.2	30	40.8	45	61.2		
3/8-24	23	31.3	35	47.6	50	68.0		
7/16-14	30	40.8	50	68.0	70	95.2		
7/16-20	35	47.6	55	74.8	80	108.8		
1/2-13	50	68.0	75	102.0	110	149.6		
1/2-20	55	74.8	90	122.4	120	163.2		
9/16-12	65	88.4	110	149.6	150	204.0		
9/16-18	75	102.0	120	163.2	170	231.2		
5/8-11	90	122.4	150	204.0	220	299.2		
5/8-18	100	136	180	244.8	240	326.4		
3/4-10	160	217.6	260	353.6	386	525.0		
3/4-16	180	244.8	300	408.0	420	571.2		
7/8-9	140	190.4	400	544.0	600	816.0		
7/8-14	155	210.8	440	598.4	660	897.6		
1-8	220	299.2	580	788.8	900	1,244.0		
1-12	240	326.4	640	870.4	1,000	1,360.0		

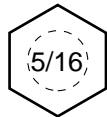
### NOTES

- These torque values are to be used for all hardware excluding: locknuts, self-tapping screws, thread forming screws, sheet metal screws and socket head setscrews.
- Recommended seating torque values for locknuts:
  - for prevailing torque locknuts - use 65% of grade 5 torques.
  - for flange whizlock nuts and screws - use 135% of grade 5 torques.
- Unless otherwise noted on assembly drawings, all torque values must meet this specification.

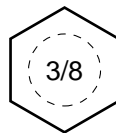
## Wrench & Fastener Size Guide



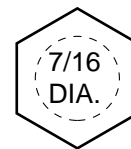
1/4" Bolt or Nut  
Wrench—7/16"



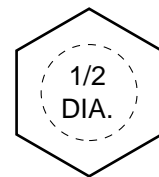
5/16" Bolt or Nut  
Wrench—1/2"



3/8" Bolt or Nut  
Wrench—9/16"



7/16" Bolt or Nut  
Wrench (Bolt)—5/8"  
Wrench (Nut)—11/16"



1/2" Bolt or Nut  
Wrench—3/4"