



Parts Manual



Broadmoor / 2600 Series Lawn Tractors & Mower Decks

20HP Product

Mfg. No.	Description
2690651	Broadmoor, 20HP and 44" Mower Deck (CE/Export)
2690652	2620H, 20HP and 44" Mower Deck (CE/Export)
2690653	Broadmoor, 20HP and 40" Mower Deck (CE/Export)

Mower Decks

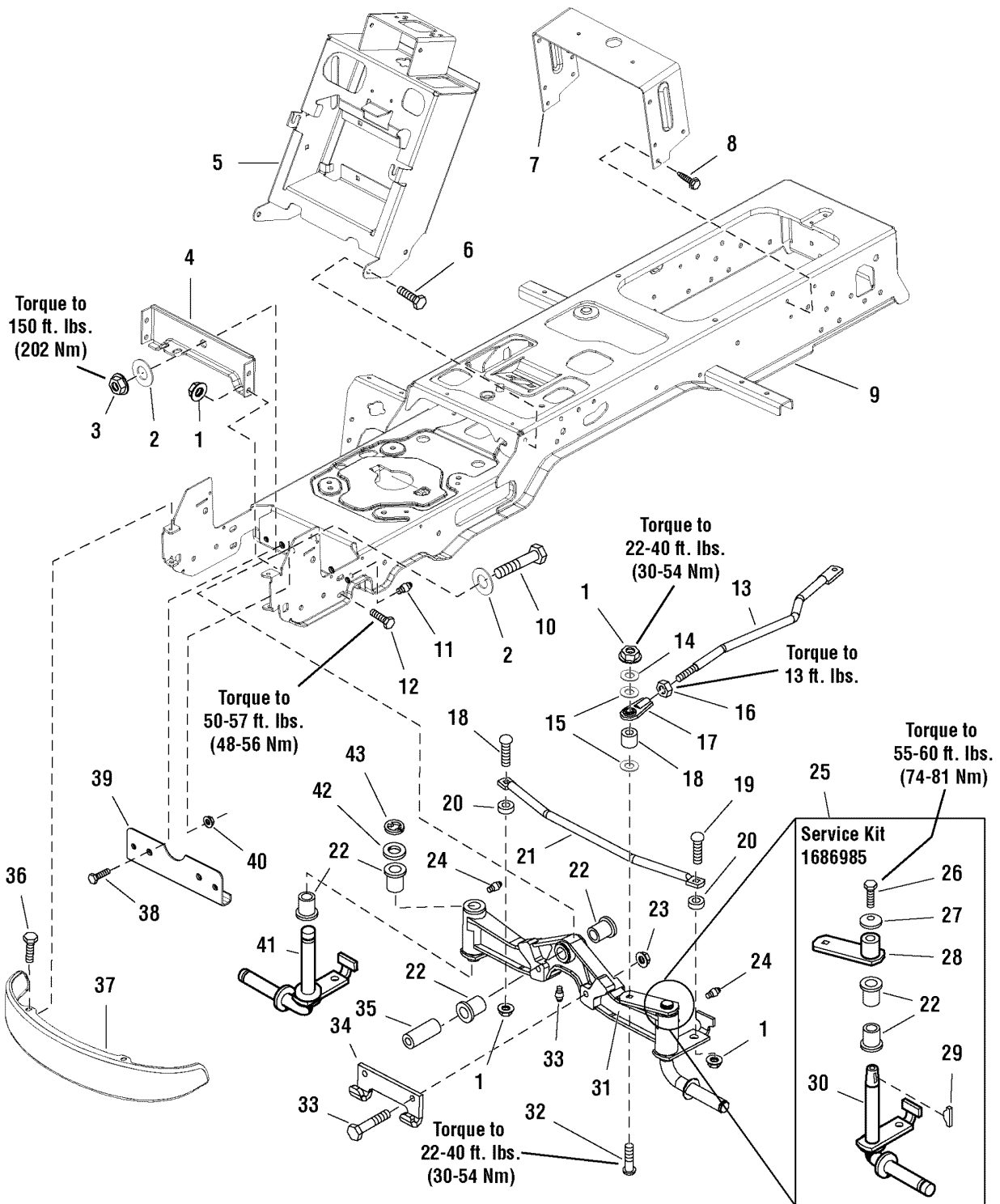
Mfg. No.	Description
1695030	40" Mower Deck (CE/Export)
1695052	40" Mower Deck (CE/Export)
1694178	44" Mower Deck (CE/Export)
1695038	44" Mower Deck (CE/Export)

PRODUCT COMPONENTS	PAGES
Frame & Front Axle Group	4
Steering Group - Manual Steering	6
Engine & Electric Clutch Group - 18HP & 20HP Briggs & Stratton, Vanguard	8
Transmission Group - Tuff Torq K-57	10
Transmission SERVICE PARTS - Tuff Torq K-57A	12
Controls Group	16
Cruise Control Group	18
Electrical Group	20
Hood, Grille & Dash Group	24
Hood, Grille & Dash Group	26
Seat & Seat Deck Group	28
Seat Deck & Fuel Tank Group	30
Lift Group - Manual Lift with Cruise Control	32
Wheels & Tires Group	34
Decals - Brand & Model	36
Decals - Safety & Common	38
40" Mower Deck - Belt, Idler Arm & Hitch	40
40" Mower Deck - Height Adjustment & Roller Bar	42
40" Mower Deck - Housing, Arbors & Blades	46
44" & 50" Mower Deck - Belt, Pulley & Hitch Group	50
44" Mower Deck - Belt, Idler Arm & Hitch	52
44" Mower Deck - Height Adjustment & Roller Bar	54
44" Mower Deck - Housing, Arbors & Blades	58
Torque Specification Chart	Inside Back Cover

Frame & Front Axle Group

986681

NOTE: Unless noted otherwise, use the standard hardware torque specification chart.



The above parts group applies to the following Mfg. Nos.:

- 2690651 - Broadmoor
- 2690652 - 2620H
- 2690653 - Broadmoor

Frame & Front Axle Group

REF NO	PART NO.	QTY.	DESCRIPTION
1	1930645SM	7	NUT, Hex Flange Lock, 3/8-16
2	1960035SM	2	WASHER
3	2860646SM	1	NUT, Hex Flange, 5/8-11
4	1722212ASM	1	PLATE, Axle
5	1733765ASM	1	TOWER & SUPPORT ASSEMBLY
6	1923683SM	4	CAPSCREW, Hex Head Taptite, 3/8-16 x 3/4
7	1723528ASM	1	SUPPORT
8	1664847SM	4	CAPSCREW, Hex Head Taptite, 5/16-18 x 3/4
9	1726989ASM	1	FRAME ASSEMBLY
10	2860645SM	1	CAPSCREW, 5/8-11 x 3-1/2
11	1704314SM	2	FITTING, Grease for Wear Plate, 1/4-20, with Ball
12	1933260SM	4	CAPSCREW, Hex Head, Flange Lock, 3/8-16 x 3/4
13	1722541SM	1	LINK, Drag
14	1922755SM	1	WASHER
15	1960103SM	2	WASHER
16	1919262SM	1	NUT, Hex Jam, 1/2-20
17	1702779SM	1	JOINT, Ball
18	1708236SM	1	SPACER
19	1931350SM	2	CARRIAGE BOLT, 3/8-16 x 1
20	1611705SM	2	SPACER
21	1722626ASM	1	ROD, Tie
22	1721682SM	6	BUSHING
23	1930650SM	2	NUT, Hex Flange Lock, 7/16-14
24	2821133SM	3	FITTING, Lube
25	1686985SM	1	SPINDLE REPLACEMENT KIT, LH (Includes Ref. Nos. 22, 26, 27, 28, 29 & 30)
26	2823485SM	1	CAPSCREW, 3/8-16 x 7/8, GR8
27	1663151SM	1	WASHER, Spring, 3/8
28	1725112SM	1	HUB & ARM ASSEMBLY
29	2830671SM	1	KEY, Woodruff
30	1724264SM	1	SPINDLE, LH
31	1722200ASM	1	AXLE ASSEMBLY, w/ LH Spindle, Complete (Includes Ref. Nos. 22, 24, 41, 42 & 43)
32	1931352SM	1	CARRIAGE BOLT, 3/8-16 x 1-1/2
33	1927531SM	2	CAPSCREW, Hex Head, 7/16-14 x 2, GR8
34	1721918ASM	1	HOOK, "J"
35	1721752SM	1	SPACER
36	1960086SM	4	SCREW, Torx Head, 5/16-18 x 7/8
37	1721805ASM	1	BUMPER, Black, Steel, Standard
37	1723502SM	1	BUMPER, Chrome, Optional
38	1930591SM	2	CAPSCREW, Hex Whiz Lock, 5/16-18 x 3/4
39	1724801ASM	1	PLATE, Axle Wear
40	1931277SM	2	NUT, Hex Falnge Whiz Lock, 5/16-18
41	1722199SM	1	SPINDLE, RH
42	1919394SM	1	WASHER
43	2832577SM	1	RETAINING RING

Footnotes

The above parts group applies to the following Mfg. Nos.:

2690651 - Broadmoor

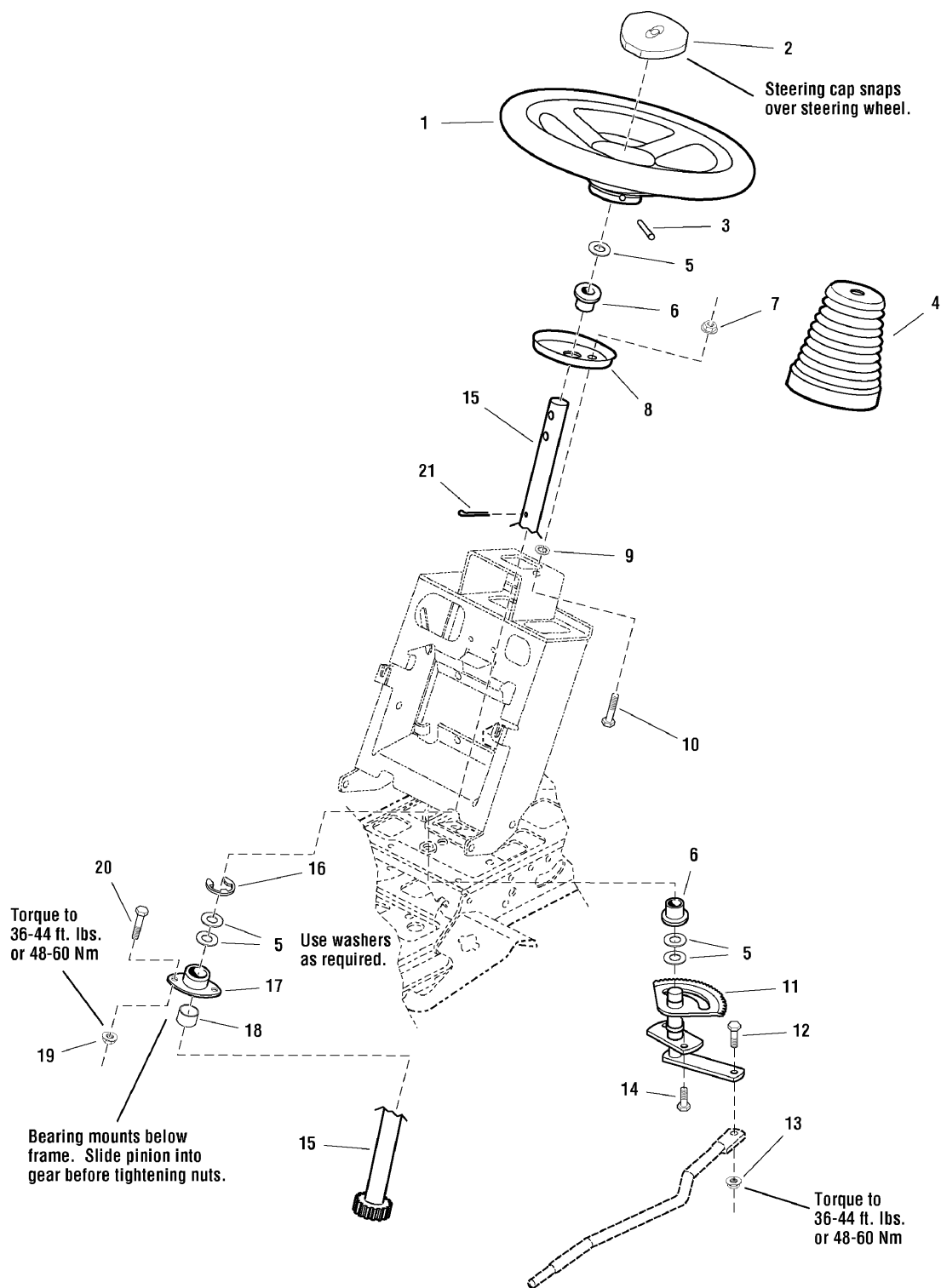
2690652 - 2620H

2690653 - Broadmoor

Steering Group - Manual Steering

985890

NOTE: Unless noted otherwise, use the standard hardware torque specification chart.



The above parts group applies to the following Mfg. Nos.:

- 2690651 - Broadmoor
- 2690652 - 2620H
- 2690653 - Broadmoor

Steering Group - Manual Steering

REF NO	PART NO.	QTY.	DESCRIPTION
1	1722318SM	1	STEERING WHEEL, Straight, Shaft
2	1722319SM	1	CAP, Steering Wheel, SMI Logo
2	1725024SM	1	CAP, Steering Wheel, Plain
3	1960540SM	1	PIN, Spring, 5/16 x 2-1/2
4	1722749SM	1	COVER, Rubber, Upper Steering Shaft
5	1960114SM	5	WASHER, 3/4
6	2176440SM	2	BUSHING, 15/32 x 7/8 x 7/8, Nylon
7	1960636SM	2	NUT, Hex KEPS 5/6-18
8	1721736ASM	1	PLATE, Mounting Steering
9	1933988SM	2	NUT, Push
10	1960655SM	2	CARRIAGE BOLT, 5/16-18 x 1-1/4
11	1724470ASM	1	GEAR & SHAFT ASSEMBLY, Steering
12	1960032SM	1	CAPSCREW, Hex Head, 3/8-16 x 1-1/4, Black
13	1930645SM	1	NUT, Hex Flange Two-Way Lock, 3/8-16
14	1664847SM	2	CAPSCREW, Hex Washer Head Taptite, 5/16-18 x 3/4
15	1721626SM	1	SHAFT & PINION ASSEMBLY, Steering Manual
16	1611710SM	1	RING, Clipping Extension
17	1722459SM	1	BEARING, 3/4 x 1-11/16 x 13/16, 3" Long Housing
18	1722461SM	1	SPACER, 3/4 x 1-1/16 x 3/8, Powder Metal
19	1931211SM	2	NUT, Hex Flange Whiz Lock, 3/8-16, Small
20	1933260SM	2	CAPSCREW, Hex Whiz Lock Flange, 3/8-16 x 3/4, Black
21	1919314SM	1	PIN, Cotter, 1-1/4, Black

Footnotes

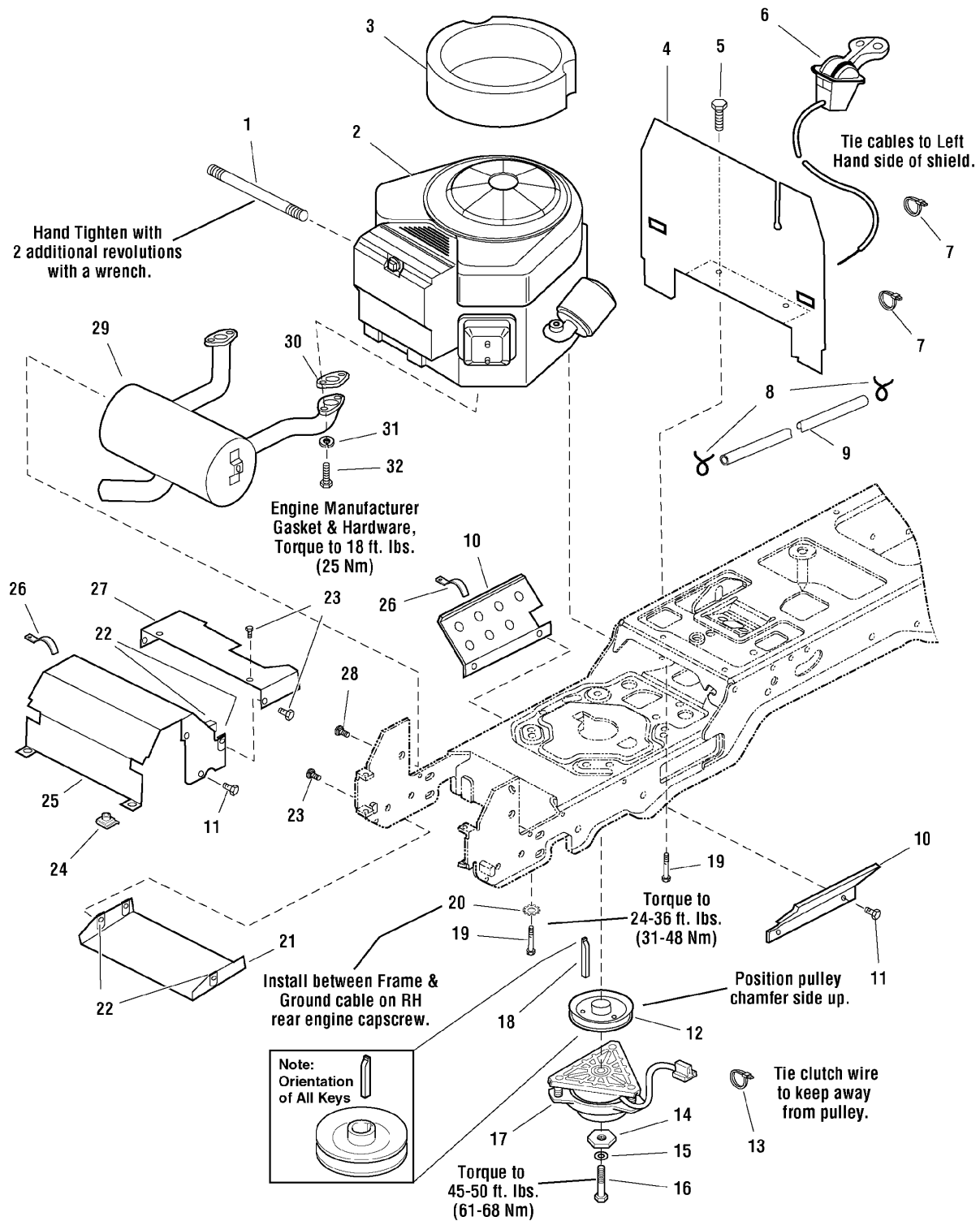
The above parts group applies to the following Mfg. Nos.:

2690651 - Broadmoor
2690652 - 2620H
2690653 - Broadmoor

Engine & Electric Clutch Group - 18HP & 20HP Briggs & Stratton, Vanguard

986773

NOTE: Unless noted otherwise, use the standard hardware torque specification chart.



The above parts group applies to the following Mfg. Nos.:

- 2690651 - Broadmoor
- 2690652 - 2620H
- 2690653 - Broadmoor

Engine & Electric Clutch Group - 18HP & 20HP Briggs & Stratton, Vanguard

REF NO	PART NO.	QTY.	DESCRIPTION
1	1723165SM	1	HOSE, Oil Drain, 10-1/2" Long, 3/8-18 Fittings
2	*	1	ENGINE, 18HP Briggs & Stratton Vanguard Twin, Model 356777, Type 0113-E1
2	*	1	ENGINE, 20HP Briggs & Stratton Vanguard Twin, Model 358777, Type 0110-E1
3	1722949SM	1	SEAL, Circle, 18HP & 20HP
4	1722388ASM	1	BULKHEAD
5	1925003SM	2	CAPSCREW, Hex Washer Head Taptite, 1/2-20 x 1/2, Black
6	1727223SM	1	CONTROL, Throttle Double 39" Long w/Knobs
7	1701011SM	2	TIE, Wire, 7-5/16" Long
8	2860112SM	2	CLAMP, Hose Type E
9	1718678SM	1	HOSE, Fuel, 59" Long
10	1722392ASM	2	SHIELD, Side
11	1929000SM	8	CAPSCREW, Hex Washer Head Taptite, 1/4-20 x 3/8
12	1722288SM	1	PULLEY & HUB ASSEMBLY
13	2832747SM	1	TIE, Self Locking, 3-5/8 Long
14	1708264SM	1	WASHER, Hex, 7/16, Black
15	1918199SM	1	LOCKWASHER, 7/16
16	1960649SM	1	CAPSCREW, Hex Head, 7/16-20 x 3-1/2, 20HP
16	1960648SM	1	CAPSCREW, Hex Head, 7/16-20 x 2-3/4, 20HP
17	1686883SM	1	CLUTCH, Electric, 18HP
17	1686880SM	1	CLUTCH, Electric, 20HP
18	1720463SM	1	KEY, HI PRO, 1/4 x 2 1/2
19	2830598SM	4	CAPSCREW, Hex Washer Head Taptite, 3/8-16 x 1-1/2
20	2820427SM	1	LOCKWASHER, External Tooth, 3/8
21	1722414ASM	1	SHIELD, Muffler Bottom
22	1960368SM	8	NUT, Speed, 1/4-20, Lug
23	1960295SM	4	CAPSCREW, Hex Flange Whiz Lock, 1/4-20 x 5/8
24	1935255SM	2	NUT, Speed, 5/16-18, Lug, Black
25	1722389ASM	1	DUCT, Muffler Top
26	2834683SM	2	CLIP, Wire 1/8
27	1722390ASM	1	DUCT, Muffler Extension
28	1924856SM	2	CAPSCREW, Hex Washer Head Taptite, 5/16-18 x 1/2, Black
29	1722625SM	1	MUFFLER, Briggs & Stratton, Vanguard Twin
30	*	1	GASKET, Briggs & Stratton, Vanguard Twin
31	1917356SM	4	LOCKWASHER, 5/16
32	2860660SM	4	CAPSCREW, Hex Flange Whiz Lock, 5/16-18 x 7/8

Footnotes

Note* See your local Briggs & Stratton distributor for parts and service.

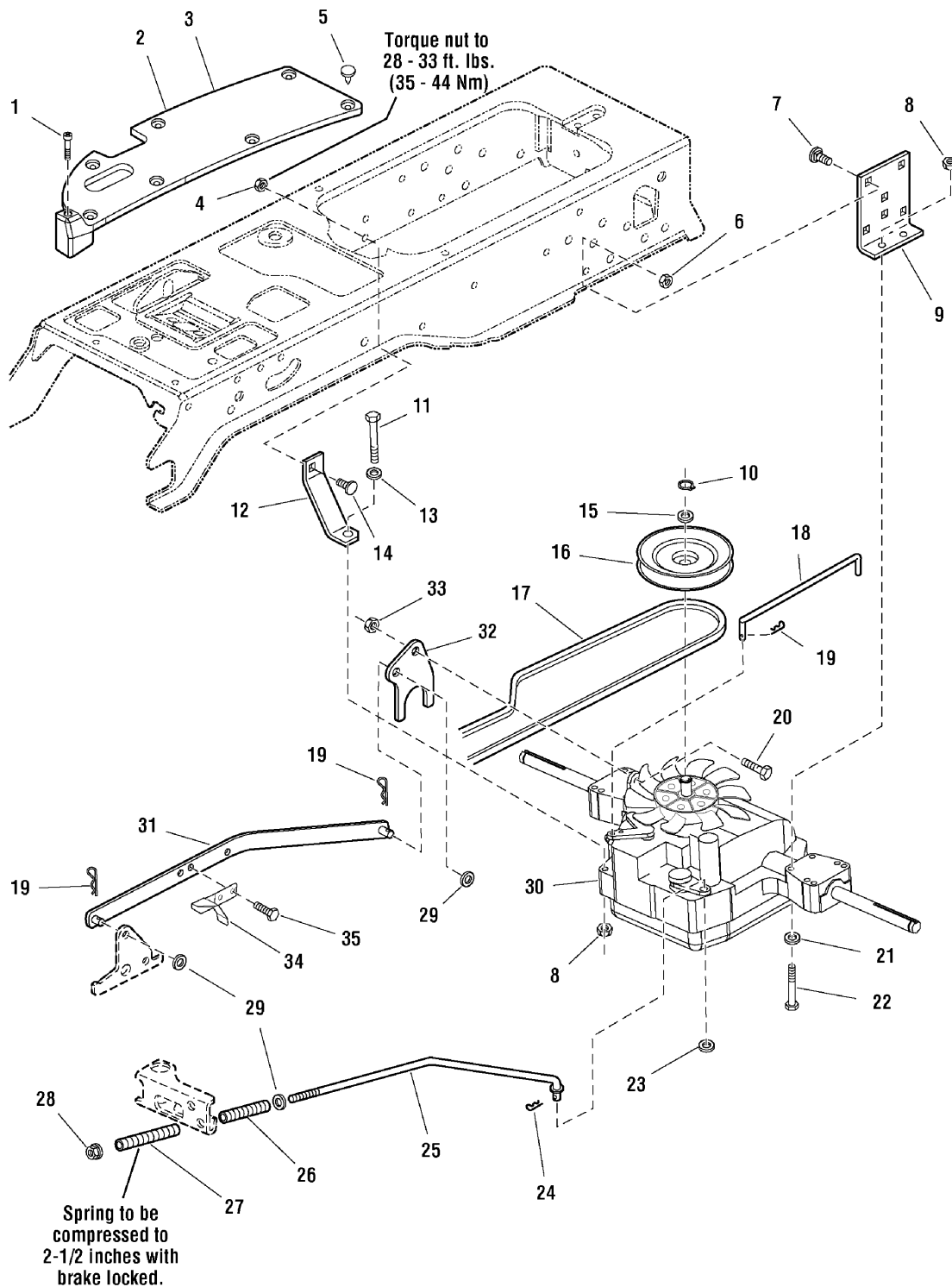
The above parts group applies to the following Mfg. Nos.:

2690651 - Broadmoor
 2690652 - 2620H
 2690653 - Broadmoor

Transmission Group - Tuff Torq K-57

986603

NOTE: Unless noted otherwise,
use the standard hardware torque
specification chart.



The above parts group applies to the following Mfg. Nos.:

- 2690651 - Broadmoor
- 2690652 - 2620H
- 2690653 - Broadmoor

Transmission Group - Tuff Torq K-57

REF NO	PART NO.	QTY.	DESCRIPTION
1	1960676SM	2	SCREW, Pan Head Torx Taptite, 1/4-20 x 1-1/4, Black
2	1722345SM	1	PAD, Footrest, LH, without Differential Lock
3	1722173SM	1	PAD, Footrest, RH
4	1960636SM	1	NUT, Hex KEPS, 5/16-18, Black
5	1704351SM	15	FASTENER, Panel
6	1960637SM	6	NUT, Hex KEPS, 3/8-16, Black
7	1931350SM	6	CARRIAGE BOLT, 3/8-16 x 1, Black
8	1960686SM	5	NUT, Hex Flange ESNA, 5/16-18, Black
9	1721728ASM	2	SUPPORT, Transmission
10	1724316SM	1	RING, Snap, Transmission
11	1921978SM	1	CAPSCREW, Hex Head 5/16-18 x 2 G5
12	1721592ASM	1	STRAP, Torque
13	1960141SM	1	WASHER, 5/16, Black
14	1931335SM	1	CARRIAGE BOLT, 5/16-18 x 1, Black
15	1960027SM	2	WASHER, 1/2
16	1721666SM	1	PULLEY & HUB ASSEMBLY
17	1726841SM	1	V-BELT, Drive
18	1726806SM	1	ROD, Transmission Release
19	1722460SM	3	PIN, Quick
20	1921332SM	1	CAPSCREW, Hex Head, 5/16-18 x 2
21	1919326SM	4	WASHER, 5/16, Black
22	1923141SM	4	CAPSCREW, Hex Head, 5/16-18 x 2-3/4, Black
23	1918267SM	1	WASHER, 15/32 x 15/16, Black
24	1918447SM	1	PIN, Cotter, Black
25	1726871SM	1	ROD, Brake
26	1722684SM	1	SPRING, Compression, 3-1/4" Long, Black
27	1729277SM	1	SPRING, Compression, 3-5/8" Long, Black
28	1960687SM	1	NUT, Hex Flange ESNA, 3/8-16, Black
29	1924940SM	3	WASHER, 3/8, Black
30	1722668SM	1	TRANSMISSION ASSEMBLY, K57, without Pulley
31	1732190ASM	1	CONTROL ARM ASSEMBLY
32	1724423ASM	1	ARM, Control
33	1960636SM	2	NUT, KEPS Lock, 5/16-18
34	1727215ASM	1	ACTUATOR, Switch
35	1924856SM	2	CAPSCREW, Hex Head Taptite, 5/16-18 x 1/2

Footnotes

The above parts group applies to the following Mfg. Nos.:

2690651 - Broadmoor

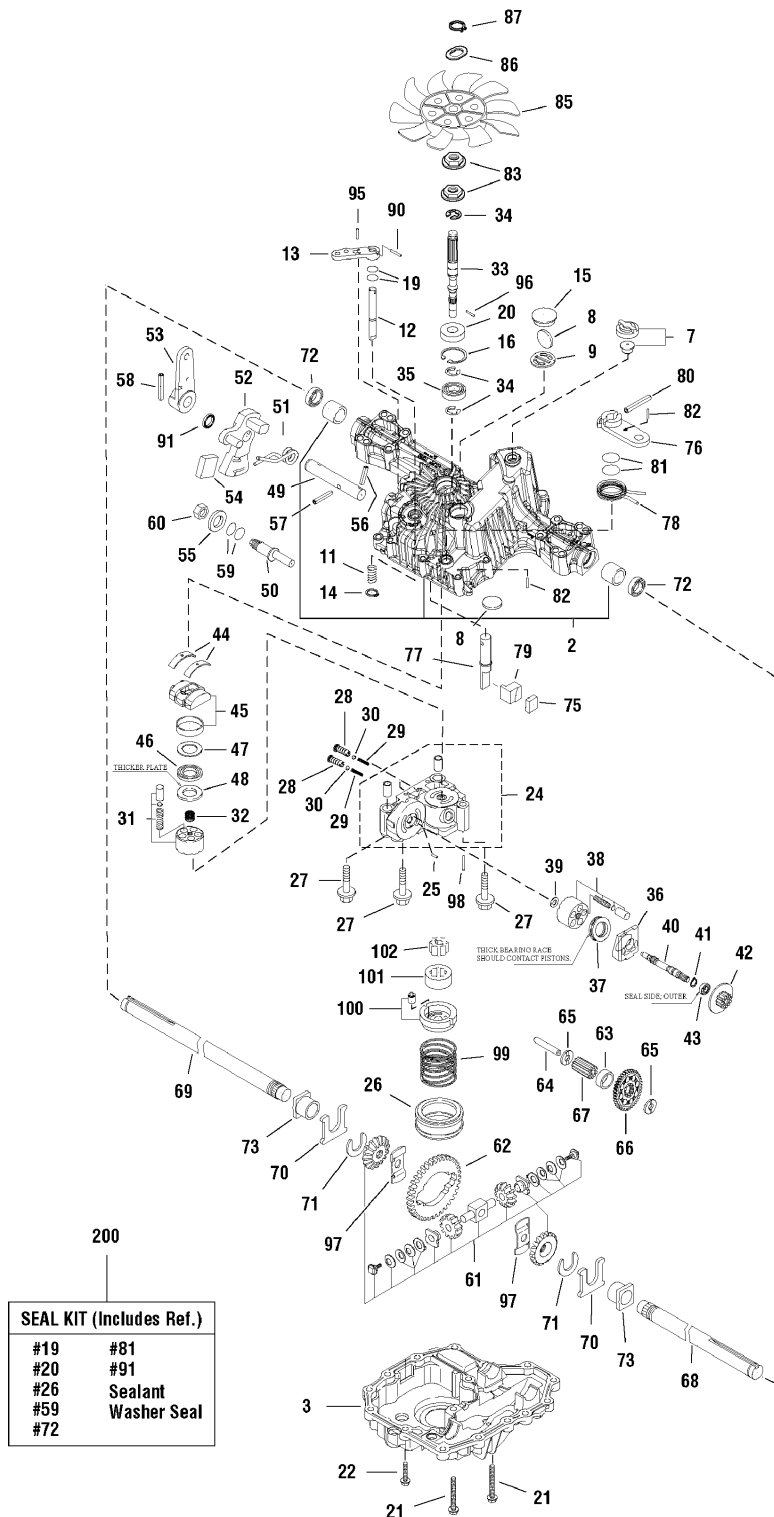
2690652 - 2620H

2690653 - Broadmoor

Transmission SERVICE PARTS - Tuff Torq K-57A

NOTE: Unless noted otherwise,
use the standard hardware torque
specification chart.

1722668



The above parts group applies to the following Mfg. Nos.:
2690653 - Broadmoor

Transmission SERVICE PARTS - Tuff Torq K-57A

REF NO	PART NO.	QTY.	DESCRIPTION
2	1724951SM	1	HOUSING ASSEMBLY, UPPER
3	1724938SM	1	HOUSING, LOWER
7	1718052SM	1	VENT VALVE 15
8	1724279SM	2	MAGNET, K50
9	1724280SM	1	HOLDER, MAGNET
11	1725730SM	1	SPRING
12	1724281SM	1	SHAFT, BYPASS
13	1720418SM	1	LEVER, BYPASS
14	1718061SM	1	RING
15	1724282SM	1	SEALING CAP
16	1708650SM	1	RING 35
19	1708691SM	2	PACKING
20	1708651SM	1	SEAL TC
21	1707789SM	14	SCREW, TAPPING
22	1724284SM	2	SCREW, TAPPING
24	1724939SM	1	CASE, CENTER
25	1718070SM	1	PIN 3 x 9.8
26	1724954SM	1	FILTER
27	1720805SM	3	BOLT 10 x 75
28	1724286SM	2	VALVE, IDS 1.0
29	1724287SM	2	SPRING, IDS
30	1724288SM	2	BALL, 3/16
31	1724940SM	1	CYLINDER BLOCK ASSEMBLY
32	1724290SM	1	SPRING, PUMP
33	1724941SM	1	SHAFT, PUMP
34	1718076SM	3	RING E15
35	1708673SM	1	BEARING
36	1718077SM	1	HOUSING
37	1724942SM	1	BEARING, THRUST
38	1718079SM	1	BLOCK, CYLINDER
39	1718084SM	1	WASHER 12 x 24 x 1
40	1724943SM	1	SHAFT, MOTOR
41	1708672SM	1	RING 15
42	1724944SM	1	GEAR, MOTOR
43	1718083SM	1	BEARING 6202UC3
44	1718089SM	2	THRUST METAL
45	1720426SM	1	SWASH PLATE ASSEMBLY
46	1718088SM	1	THRUST PLATE B
47	1718086SM	1	BEARING K81105
48	1718087SM	1	THRUST PLATE A
49	1724343SM	1	SHAFT, CONTROL
50	1724344SM	1	FULCRUM, ECCENTRIC
51	1724345SM	1	SPRING, TORSION
52	1724346SM	1	LEVER, CONTROL
53	1724347SM	1	ARM, CONTROL

Footnotes

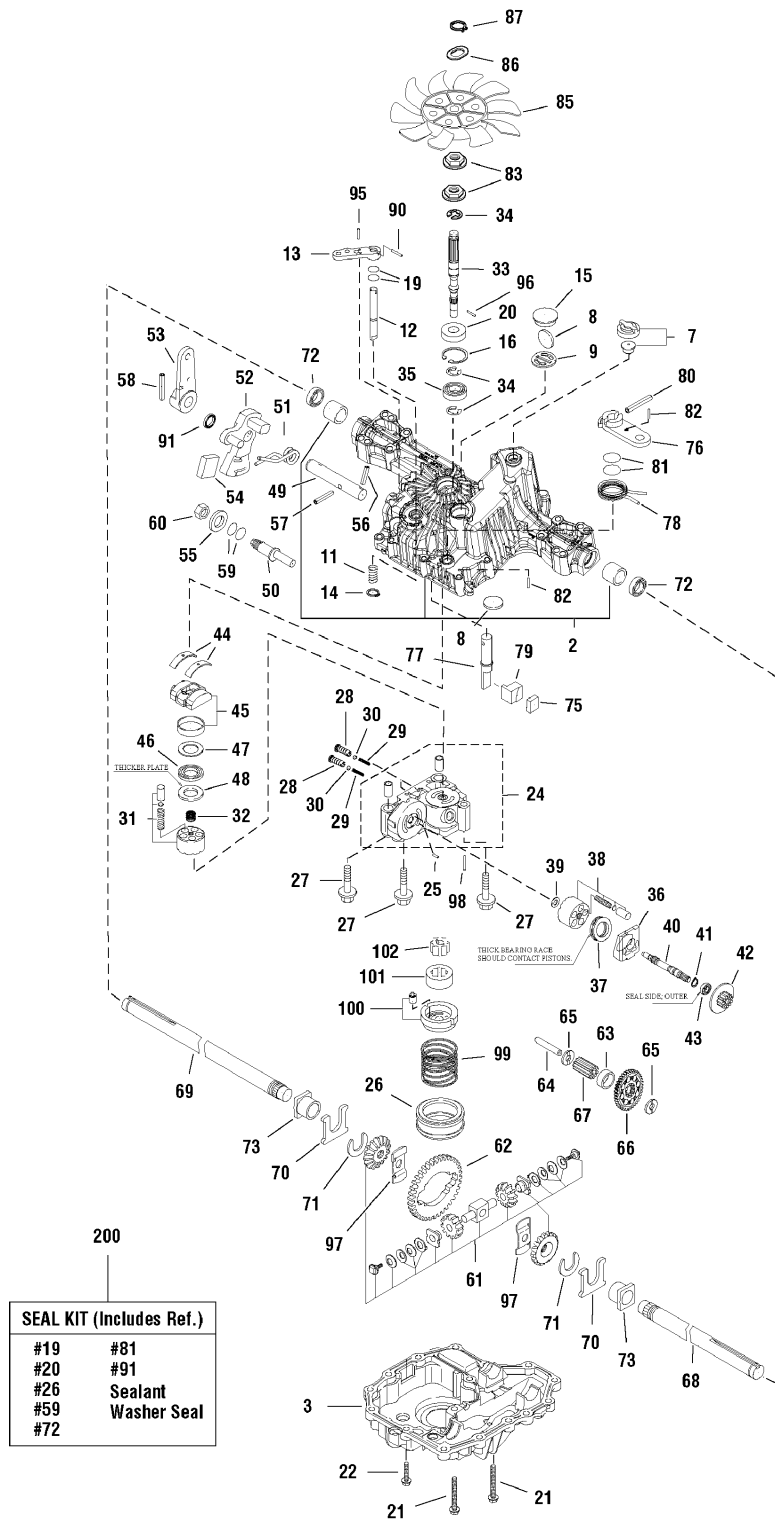
The above parts group applies to the following Mfg. Nos.:

2690653 - Broadmoor

Transmission SERVICE PARTS - Tuff Torq K-57A

NOTE: Unless noted otherwise,
use the standard hardware torque
specification chart.

1722668



The above parts group applies to the following Mfg. Nos.:
2690653 - Broadmoor

Transmission SERVICE PARTS - Tuff Torq K-57A

REF NO	PART NO.	QTY.	DESCRIPTION
54	1724348SM	1	PLATE, JERK
55	1708689SM	1	WASHER
56	1724349SM	1	PIN, COTTER
57	1724296SM	1	PIN, SPRING
59	1707879SM	2	PACKING
58	1718100SM	1	PIN 6.0A x 4.0
60	1708692SM	1	NUT 12
61	1724955SM	1	GEAR & PINION ASSEMBLY
62	1724945SM	1	GEAR, FINAL CONTR TRAC
63	1724946SM	2	COLLAR, PINION
64	1724947SM	1	SHAFT, REDUCTION
65	1724948SM	2	WASHER, 12 x 32 x 3.2
66	1724949SM	1	GEAR, REDUCTION
67	1724950SM	1	PINION, FINAL
68	1724304SM	1	SHAFT, AXLE RH
69	1724303SM	1	SHAFT, AXLE LH
70	1718112SM	2	WASHER, THRUST
71	1718113SM	2	RING 17
72	1718111SM	2	SEAL 19 x 32 x 8
73	1718110SM	2	BUSHING 19 x 21
75	1724305SM	1	SHOE, BRAKE
76	1724306SM	1	ARM, BRAKE
77	1724307SM	1	SHAFT, BRAKE
78	1724308SM	1	SPRING, RETURN B
79	1724309SM	1	BRAKE, ACTUATOR
80	1724310SM	1	PIN
81	1708690SM	2	PACKING
82	1724311SM	2	PIN, SPRING
83	1724312SM	2	COLLAR, SPLINE
85	1724314SM	1	FAN
86	1724315SM	1	LOCKWASHER
87	1724316SM	1	RING, SNAP
90	1707839SM	1	PIN 3.0A x 20
91	1724318SM	1	OIL SEAL
95	1707839SM	1	PIN, ROLL
97	1724956SM	2	WASHER, THRUST DIFF
98	1724958SM	2	PIN, 3.0A x 18
99	1724957SM	1	SPRING, CHARGE
100	1724953SM	1	CHARGE PUMP CASE ASSEMBLY
200	1727542SM	1	K57 SMP SEAL KIT

Footnotes

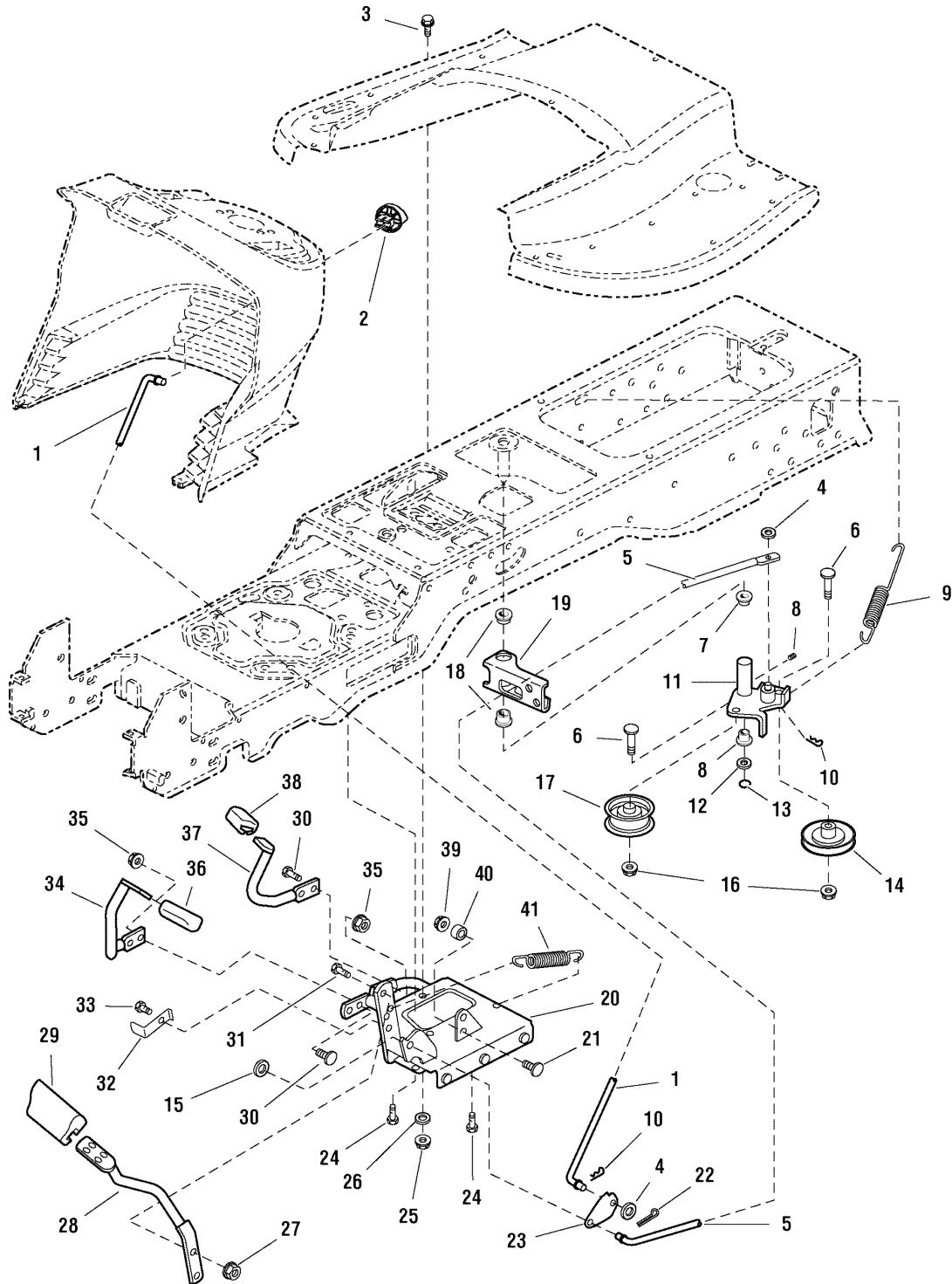
The above parts group applies to the following Mfg. Nos.:

2690653 - Broadmoor

Controls Group

986599

NOTE: Unless noted otherwise,
use the standard hardware torque
specification chart.



The above parts group applies to the following Mfg. Nos.:

2690651 - Broadmoor

2690652 - 2620H

2690653 - Broadmoor

Controls Group

REF NO	PART NO.	QTY.	DESCRIPTION
1	1721353SM	1	ROD, Brake Lock
2	1721891SM	1	KNOB, Push On, Red Plastic "P"
3	1930591SM	1	CAPSCREW, Hex Flange Whiz Lock, 5/16-18 x 3/4
4	1919326SM	2	WASHER, 5/16, Black
5	1721476SM	1	ROD, Brake
6	1931353SM	2	CARRIAGE BOLT, 3/8-16 x 1 3/4
7	1663114SM	2	BUSHING, 5/8 x 3/4 x 3/4, Nylon
8	2821133SM	1	FITTING, Lube, 1/4
9	1725250SM	1	SPRING, Extension
10	1722460SM	3	PIN, Quick
11	1724917SM	1	ARM & HUB ASSEMBLY, Idler
12	1960020SM	1	WASHER, 5/8
13	1704420SM	1	RING, Clipping Extension
14	1721134SM	1	PULLEY, w/Bearing
15	1924940SM	1	WASHER, 3/8
16	1960687SM	2	NUT, Hex Flange ESNA, 3/8-16
17	1721133SM	1	PULLEY, Idler
18	1723237SM	2	BUSHING, 1 x 1-1/8 x 5/8, Nylon
19	1722513SM	1	ARM, Brake
20	1726763SM	1	PEDAL ASSEMBLY, Foot
21	1931320SM	1	CARRIAGE BOLT, 1/4-20 x 1-1/4
22	1918447SM	1	PIN, Cotter, Black
23	1721354ASM	1	LATCH, Brake
24	1664847SM	3	CAPSCREW, Hex Washer Head Taptite, 5/16-18 x 3/4
25	1919438SM	1	NUT, Hex Lock ESNA Light, 5/16-18
26	1919381SM	1	WASHER, 5/16, Black
27	1927557SM	2	NUT, Hex Flange Whiz Lock Large, 5/16-18
28	1722535ASM	1	PEDAL, Brake
29	1721577SM	1	PAD, Brake Pedal
30	1931334SM	4	CARRIAGE BOLT, 5/16-18 x 7/8
31	1921333SM	2	CAPSCREW, 5/16-18 x 1
32	1722083ASM	1	ACTUATOR, Switch 2.53" Long
33	1923683SM	1	CAPSCREW, Hex Washer Head Taptite, 3/8-16 x 3/4
34	1722070ASM	1	PEDAL, Forward
35	1960636SM	4	NUT, Hex KEPS, 5/16-18
36	1721675SM	1	PAD, Foot Pedal Forward
37	1722071ASM	1	PEDAL, Reverse
38	1721674SM	1	PAD, Foot Pedal Reverse
39	1920397SM	1	NUT, Hex Lock ESNA Light, 1/4-20
40	1686612SM	1	CAM, Roller
41	1721995SM	1	SPRING, Extension

Footnotes

The above parts group applies to the following Mfg. Nos.:

2690651 - Broadmoor

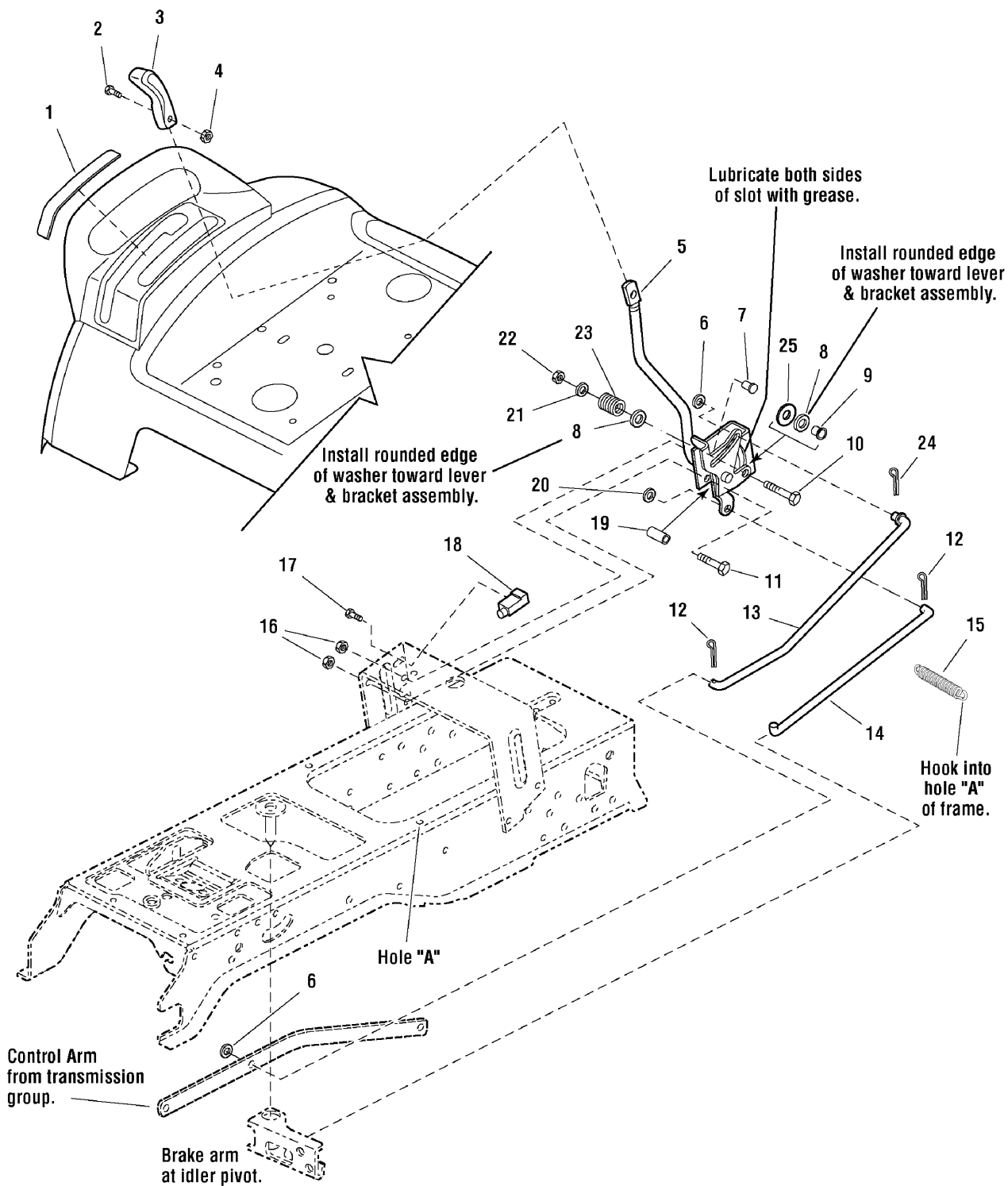
2690652 - 2620H

2690653 - Broadmoor

Cruise Control Group

986190

NOTE: Unless noted otherwise, use the standard hardware torque specification chart.



The above parts group applies to the following Mfg. Nos.:

- 2690651 - Broadmoor
- 2690652 - 2620H
- 2690653 - Broadmoor

Cruise Control Group

REF NO	PART NO.	QTY.	DESCRIPTION
1	1723713SM	1	DECAL, Cruise & Lift
2	1960666SM	1	SCREW, Torque Head Plus Socket Head, 1/4-20 x 7/8
3	1722303SM	1	KNOB, Cruise
4	1920397SM	1	NUT, Hex Lock ESNA Light, 1/4-20
5	1722003SM	1	LEVER & BRACKET ASSEMBLY, Cruise
6	1960103SM	2	WASHER, 3/8, Black
7	1931333SM	1	CARRIAGE BOLT, 5/16-18 x 3/4
8	1926192SM	2	WASHER, 9/16 x 1-1/4 x 1/8
9	1709043SM	1	SPACER, w/Flange, 11/32 x 15/32 x 3/4
10	1931342SM	1	CARRIAGE BOLT, 5/16-18 x 2 3/4
11	1960273SM	1	CARRIAGE BOLT, 5/16-18 x 2-1/4
12	1722460SM	2	PIN, Quick
13	1722117SM	1	ROD, Cruise
14	1733719SM	1	ROD, Return
15	2159106SM	1	SPRING, Cruise Return to Frame
16	1960636SM	2	NUT, Hex KEPS, 5/16-18
17	1960001SM	2	CAPSCREW, Hex Washer Head Plastite, 10-14 x 5/8
18	1717050SM	1	SWITCH, Push, Neutral Start, Gray
19	1722080SM	1	SPACER, 11/32 x 5/8 x 1-13/32
20	1919326SM	1	WASHER, 5/16, Black
21	1919381SM	1	WASHER, 5/16, Black
22	1919438SM	1	NUT, Hex Lock ESNA Light, 5/16-18
23	1677746SM	1	SPRING, Compression
24	1918447SM	1	PIN, Cotter
25	1705928SM	1	DISC, Friction

Footnotes

The above parts group applies to the following Mfg. Nos.:

2690651 - Broadmoor

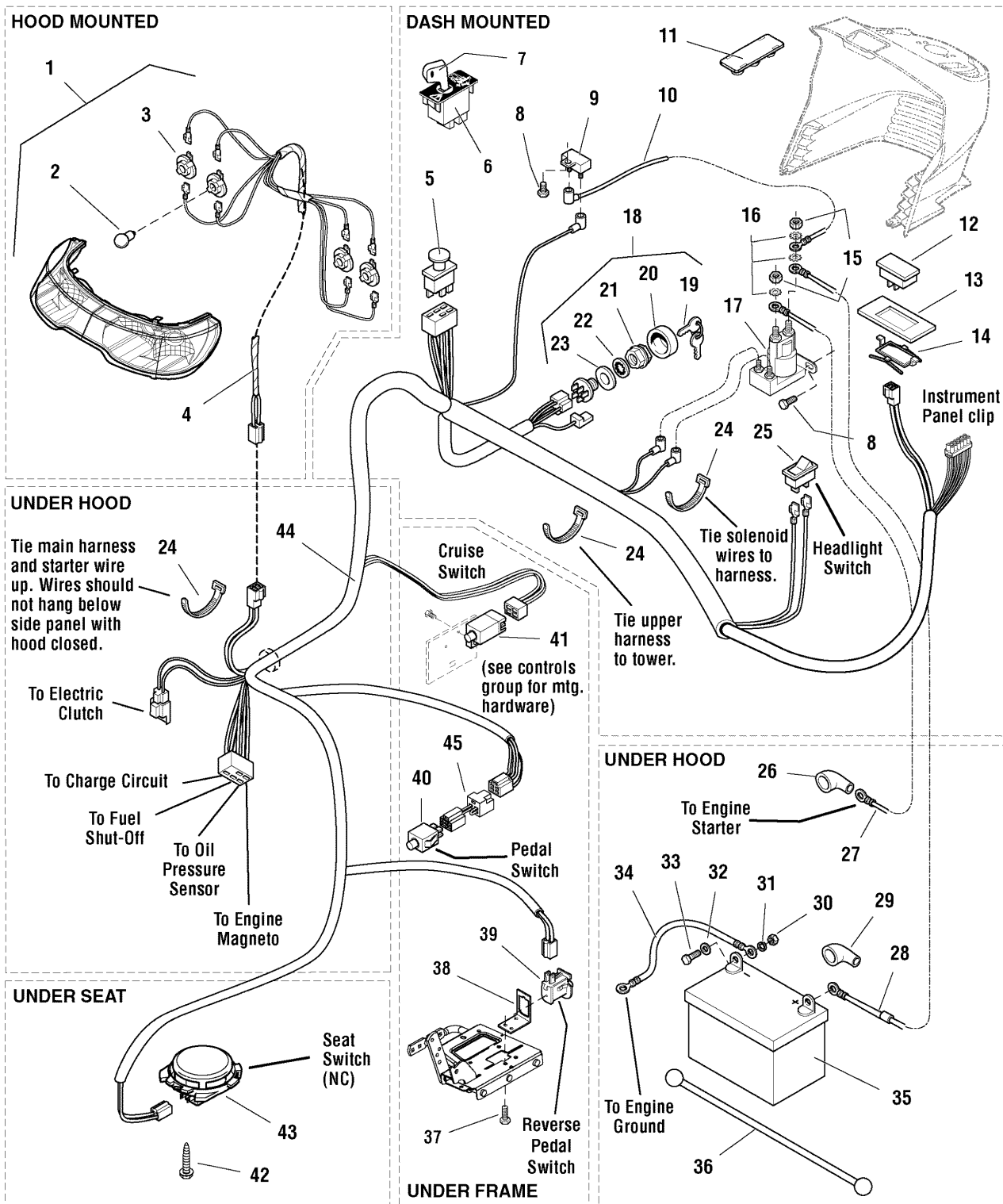
2690652 - 2620H

2690653 - Broadmoor

Electrical Group

986604

NOTE: Unless noted otherwise, use the standard hardware torque specification chart.



The above parts group applies to the following Mfg. Nos.:

- 2690651 - Broadmoor
- 2690652 - 2620H
- 2690653 - Broadmoor

Electrical Group

REF NO	PART NO.	QTY.	DESCRIPTION
1	1721810SM	1	HEADLIGHT ASSEMBLY, 4 Bulb, (Includes Ref. Nos. 2 & 3)
2	1677371SM	4	BULB, Headlight, 12.8V
3	1723451SM	4	SOCKET ASSEMBLY, Headlight, Sealed
4	1722669SM	1	HARNESS, Headlight
5	1722887SM	1	SWITCH, PTO Push/Pull Symbols
6	1726556SM	1	MODULE, RMO (Includes Ref. No. 7)
7	1726557SM	1	KEY, RMO Module Plastic
8	1925003SM	2	CAPSCREW, Hex Washer Head Taptite, 1/4-20 x 1/2, Black
9	1665238SM	1	BREAKER, Circuit, 12 Volt 20 Amps
10	1665237SM	1	WIRE, 12GA 5-15/16 Long, Red
11	1722611SM	1	PLUG, Hole, Square
12	1731184SM	1	HOUR METER, (Includes Ref. Nos. 12)
13	1725524SM	1	PLUG, Dash
14	1725835SM	1	CLIP, Hour Meter (Service Only)
15	2820263SM	2	NUT, Hex, 5/16-24
16	2820426SM	3	LOCKWASHER, External Tooth, 5/16
17	1722739SM	1	SOLENOID
18	1686734SM	1	SWITCH ASSEMBLY, Ignition, 6 Pin, (Includes Ref. Nos. 17, 18, 19, 20 & 21)
19	1717163SM	1	KEYS, Set of 2
20	1717550SM	1	COVER, For Ignition Switch, Plastic
21	1717549SM	1	NUT, Hex Flange, 5/8-32, Ignition Switch
22	1960547SM	1	LOCKWASHER, Internal Tooth, 5/8, Thin
23	2101025SM	1	WASHER, Shim
24	1701011SM	3	TIE, Strap, 7-5/16 Long
25	1716951SM	1	SWITCH, Headlights , 2 Terminal
26	1713535SM	1	BOOT, Insulator Cable Terminal, 1-15/16 Long, Red
27	1721830SM	1	CABLE, #6 x 25" Long, Ring Terminals
28	1603618SM	1	CABLE, #6 x 8" Long, Ring Terminals
29	1677296SM	1	BOOT, Insulator Battery Terminal
30	2816622SM	3	NUT, Hex, 1/4-20
31	2816964SM	2	LOCKWASHER, 1/4
32	2821319SM	2	WASHER, 1/4
33	2823341SM	2	CAPSCREW, Hex Head, 1/4-20 x 3/4
34	1713163SM	1	CABLE, #6 x 26 Long, Ring Terminal
35	1685215SM	1	BATTERY, 12 Volt
36	1722009SM	1	STRAP, Battery, 14 Long, Rubber
37	1929000SM	2	CAPSCREW, Hex Head Taptite, 1/4-20 x 3/8
38	1726810ASM	1	BRACKET, Switch Mount
39	1732004SM	1	SWITCH, Reverse Pedal
40	1732006SM	1	SWITCH, Push Button, Foot Pedal
41	1717050SM	1	SWITCH, Cruise Control, Grey, NO
42	1960536SM	2	CAPSCREW, Hex Washer Head Plastite, 1/4 x 1/2
43	1716368SM	1	SWITCH, Seat, Grey, NC
44	1730192SM	1	HARNESS, Wiring

Footnotes

The above parts group applies to the following Mfg. Nos.:

2690651 - Broadmoor

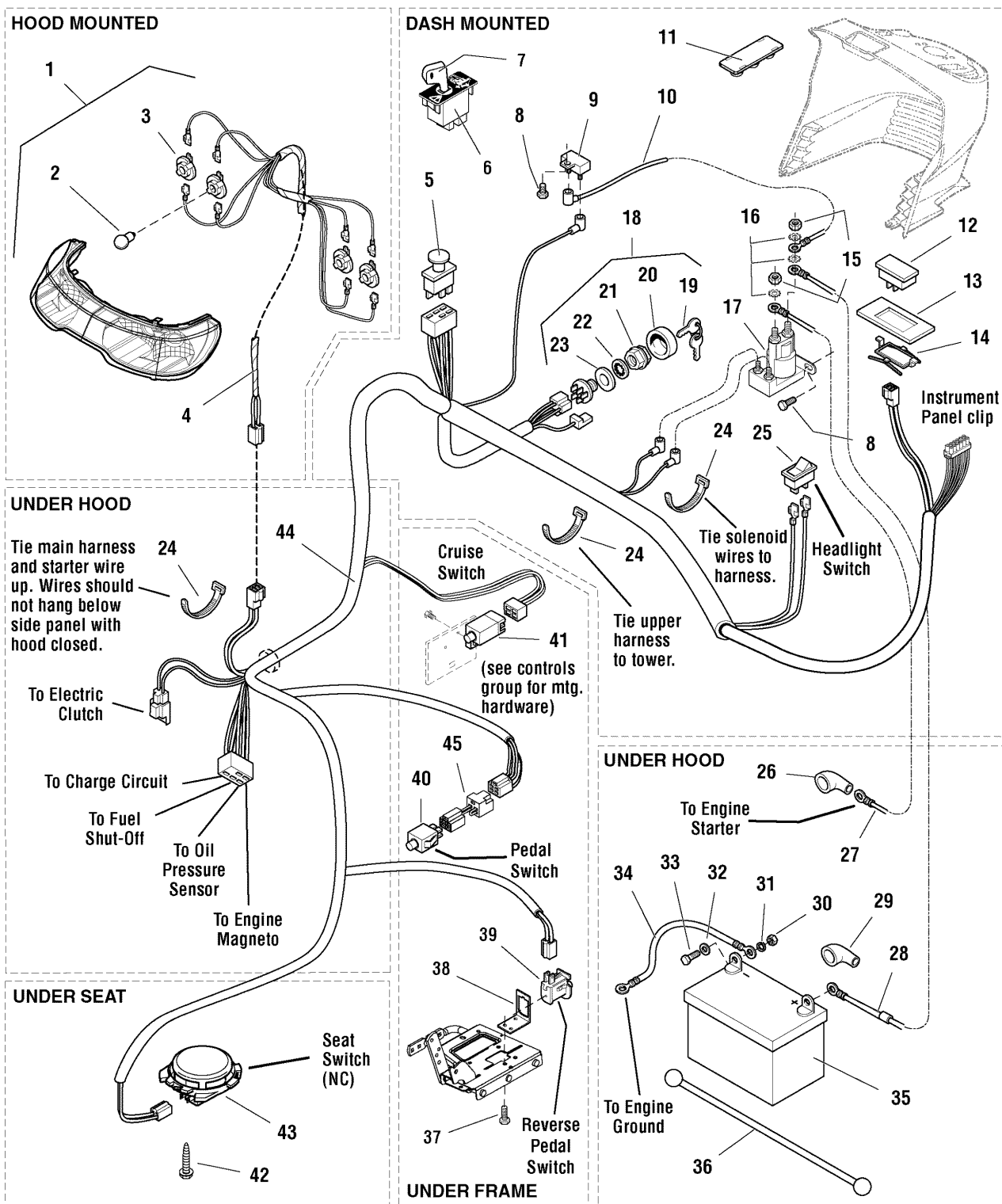
2690652 - 2620H

2690653 - Broadmoor

Electrical Group

986604

NOTE: Unless noted otherwise, use the standard hardware torque specification chart.



The above parts group applies to the following Mfg. Nos.:

- 2690651 - Broadmoor
- 2690652 - 2620H
- 2690653 - Broadmoor

Electrical Group

REF NO	PART NO.	QTY.	DESCRIPTION
45	1734025SM	1	WIRING ASSEMBLY, All Conditions Shutdown (CE/Export)

Footnotes

The above parts group applies to the following Mfg. Nos.:

2690651 - Broadmoor

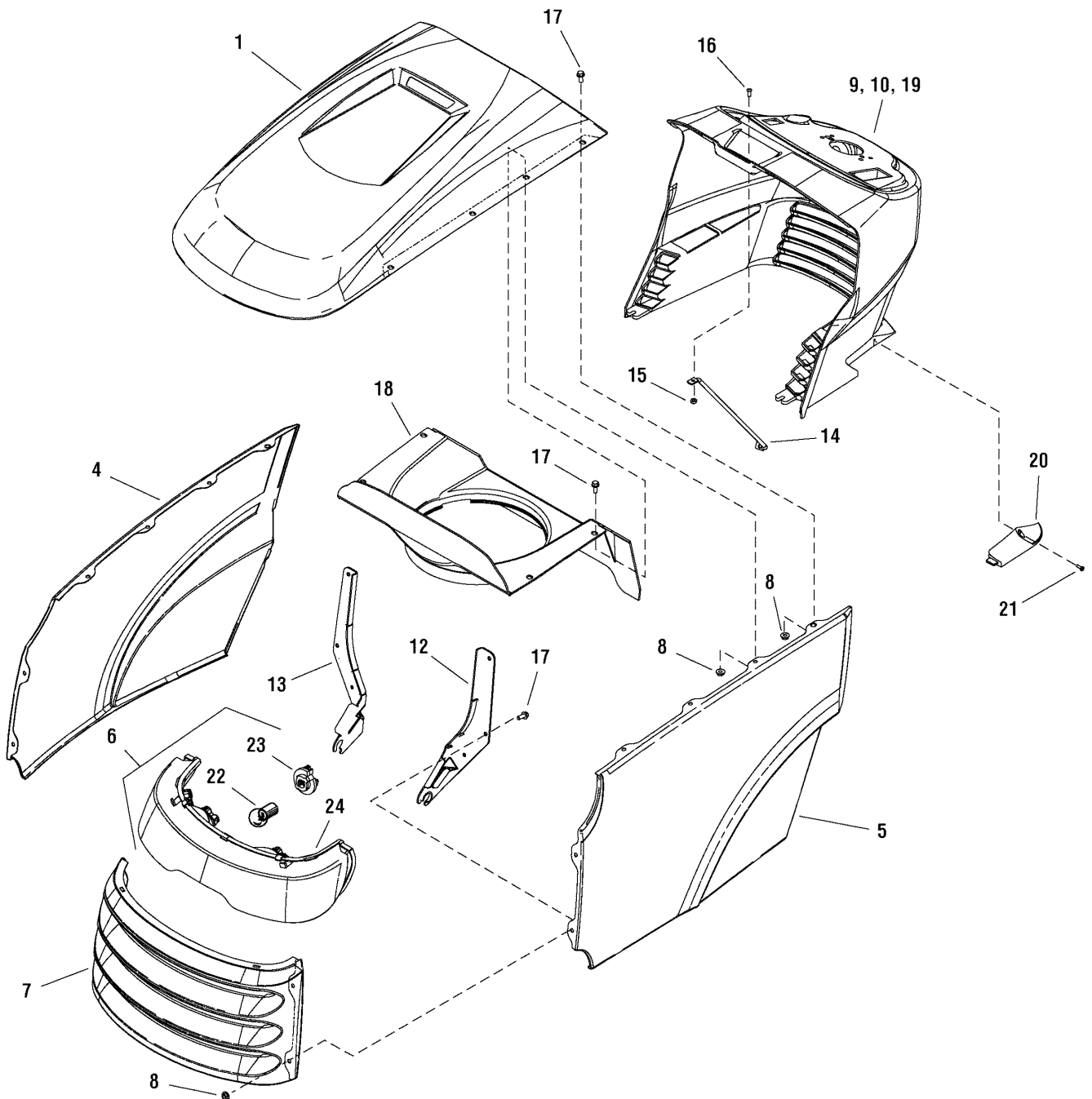
2690652 - 2620H

2690653 - Broadmoor

Hood, Grille & Dash Group

987167

NOTE: Unless noted otherwise,
use the standard hardware torque
specification chart.



The above parts group applies to the following Mfg. Nos.:
2690652 - 2620H

Hood, Grille & Dash Group

REF NO	PART NO.	QTY.	DESCRIPTION
1	1728031DSM	1	HOOD, W/Scoop
4	1721804DSM	1	PANEL, R.H. Side
5	1721803DSM	1	PANEL, L.H. Side
6	1721810SM	1	HEADLIGHT ASSEMBLY (Includes Ref. Nos. 22, 23 & 24)
7	1721802DSM	1	GRILLE
8	1930641SM	12	NUT, Hex Flange 1/4-20 Whiz Lock
9	1726827SM	1	DASHBOARD (Used only on YT & LT models)
10	1726894SM	1	DASHBOARD, W/Hydraulic Lift Slot (Used only on GT models)
12	1721808ASM	1	HINGE, Hood L.H.
13	1721809ASM	1	HINGE, Hood R.H.
14	1723123SM	1	ROD, Dash Support
15	1933896SM	1	NUT, Hex Lock 10-24 w/Nylon Insert
16	1960392SM	1	SCREW, Pan Head Phillips #10-24 x 1
17	1960295SM	12	SCREW, Hex Whiz Lock Flange 1/4-20 x 5/8
18	1733457ASM	1	DUCT, Air Inlet
19	1726895SM	1	DASHBOARD, w/Buzzer Hole (Used only on Barons models)
20	1722285SM	1	COVER, Dash (Used only on Barons models)
21	1722607SM	1	SCREW, Pan Head Torx #8-16 x 1/2 Plastite (Used only on Barons models)
22	1677371SM	4	BULB, Headlight
23	1723451SM	4	SOCKET ASSEMBLY, Seal
24	1722902SM	1	REFLECTOR, Headlight

Footnotes

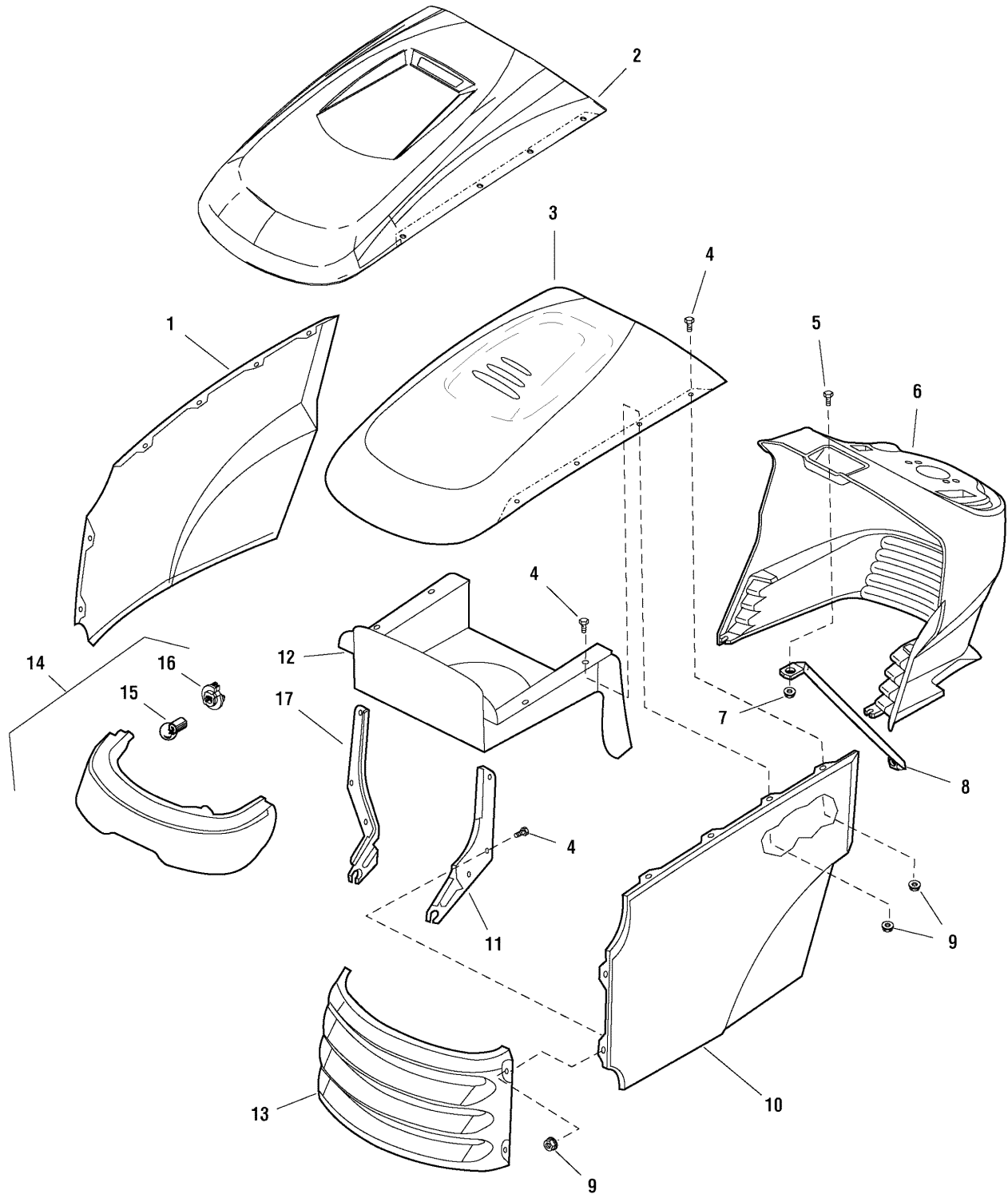
The above parts group applies to the following Mfg. Nos.:

2690652 - 2620H

Hood, Grille & Dash Group

986608

NOTE: Unless noted otherwise,
use the standard hardware torque
specification chart.



The above parts group applies to the following Mfg. Nos.:

2690651 - Broadmoor

2690653 - Broadmoor

Hood, Grille & Dash Group

REF NO	PART NO.	QTY.	DESCRIPTION
1	1721804CSM	1	PANEL, RH Side
1	1721804DSM	1	PANEL, RH Side, Red
2	1728031DSM	1	HOOD, with Scoop, Red
3	1722110CSM	1	HOOD, with Louvers
4	1960295SM	12	CAPSCREW, Hex Head Flange Lock, 1/4-20 x 5/8
5	1960392SM	1	SCREW, Phillips Head, #10-24 x 1/2
6	1687054SM	1	DASHBOARD, RMO, Black
6	1687055SM	1	DASHBOARD, RMO with Hydra Lift Slot, Black
7	1933896SM	1	NUT, Hex Nylock, #10-24
8	1723123SM	1	ROD, Dash Support
9	1930641SM	12	NUT, Hex Flange Lock, 1/4-20
10	1721803CSM	1	PANEL, LH Side
10	1721803DSM	1	PANEL, LH Side, Red
11	1721808ASM	1	HINGE, LH
12	1733457ASM	1	DUCT, Air Inlet
13	1721802CSM	1	GRILLE
13	1721802DSM	1	GRILLE, Red
14	1721810SM	1	HEADLIGHT ASSEMBLY (Includes Ref. Nos. 15 & 16)
15	1677371SM	4	BULB, Headligh
16	1723451SM	4	SOCKET, Headlight
17	1721809ASM	1	HINGE, RH

Footnotes

The above parts group applies to the following Mfg. Nos.:

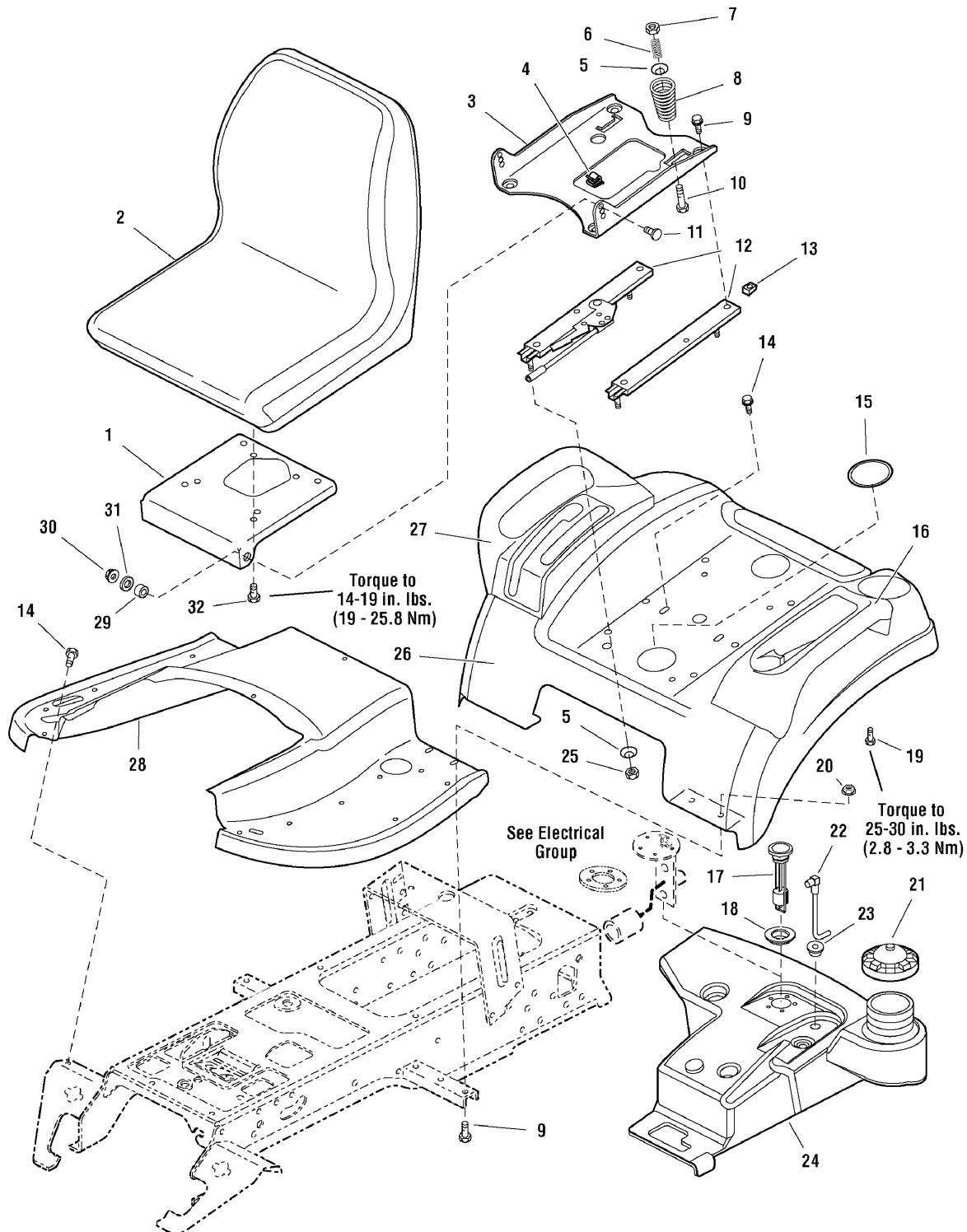
2690651 - Broadmoor

2690653 - Broadmoor

Seat & Seat Deck Group

985908

NOTE: Unless noted otherwise,
use the standard hardware torque
specification chart.



The above parts group applies to the following Mfg. Nos.:

2690651 - Broadmoor
2690653 - Broadmoor

Seat & Seat Deck Group

REF NO	PART NO.	QTY.	DESCRIPTION
1	1722129ASM	1	BRACKET, 1-5/8 x 1-3/4
2	1687199SM	1	* SEAT, 18" Back, Optional
2	1687201SM	1	* SEAT, 15" Back, Standard
3	1722128ASM	1	SUPPORT, Seat
4	2172434SM	1	CLIP, Wire
5	1709256SM	2	WASHER, Spring, 5/16 x 1-1/4, Black
6	1714263SM	2	SPRING, Compression
7	1919438SM	10	NUT, Hex Lock, ESNA Light 5/16-18
8	1717051SM	2	SPRING, Compression
9	1930591SM	8	CAPSCREW, Hex Flange Whiz Lock, 5/16-18 x 3/4
10	1931339SM	2	CARRIAGE BOLT, 5/16-18 x 2
11	1931350SM	2	CARRIAGE BOLT, 3/8-16 x 1
12	1722356SM	1	SLIDE, Seat
13	1935255SM	4	NUT, Speed, 5/16-18, Lug
14	1930601SM	4	CAPSCREW, Hex Washer Head Taptite, 5/16-18 x 5/8
15	1722309SM	2	PLUG, Plastic
16	1729711SM	1	POD, with Cup Holder, LH
17	1722300SM	1	FUEL GAUGE
18	1722337SM	1	GROMMET
19	2860664SM	8	CAPSCREW, Hex Head Dog Point, 1/4-20 x 7/8
20	1931277SM	4	NUT, Hex Flange Whiz Lock, 5/16-18
21	1715917SM	1	CAP, Gas
22	1722340SM	1	TUBE & ELBOW ASSEMBLY
23	1654930SM	1	BUSHING, 3/8 x 9/16 x 5/8, Rubber
24	1722432SM	1	TANK, Fuel
25	1960636SM	8	NUT, Hex KEPS, 5/16-18
26	1722106CSM	1	DECK, Seat, Orange
26	1722106DSM	1	DECK, Seat, Red
27	1722108SM	1	POD, RH with 2 Slots
28	1722105CSM	1	TUNNEL, Orange
28	1722105DSM	1	TUNNEL, Red
29	1663752SM	2	SPACER, 25/64 x 5/8 x 3/16, Hardened
30	1930645SM	2	NUT, Hex Flange Two-Way Lock, 3/8-16
31	1924940SM	2	WASHER, 3/8
32	1960667SM	4	CAPSCREW, Hex Flange Whiz Lock Dog Point, 5/16-18 x 1

Footnotes

Note* Arm Rest Kit - 1686907

The above parts group applies to the following Mfg. Nos.:

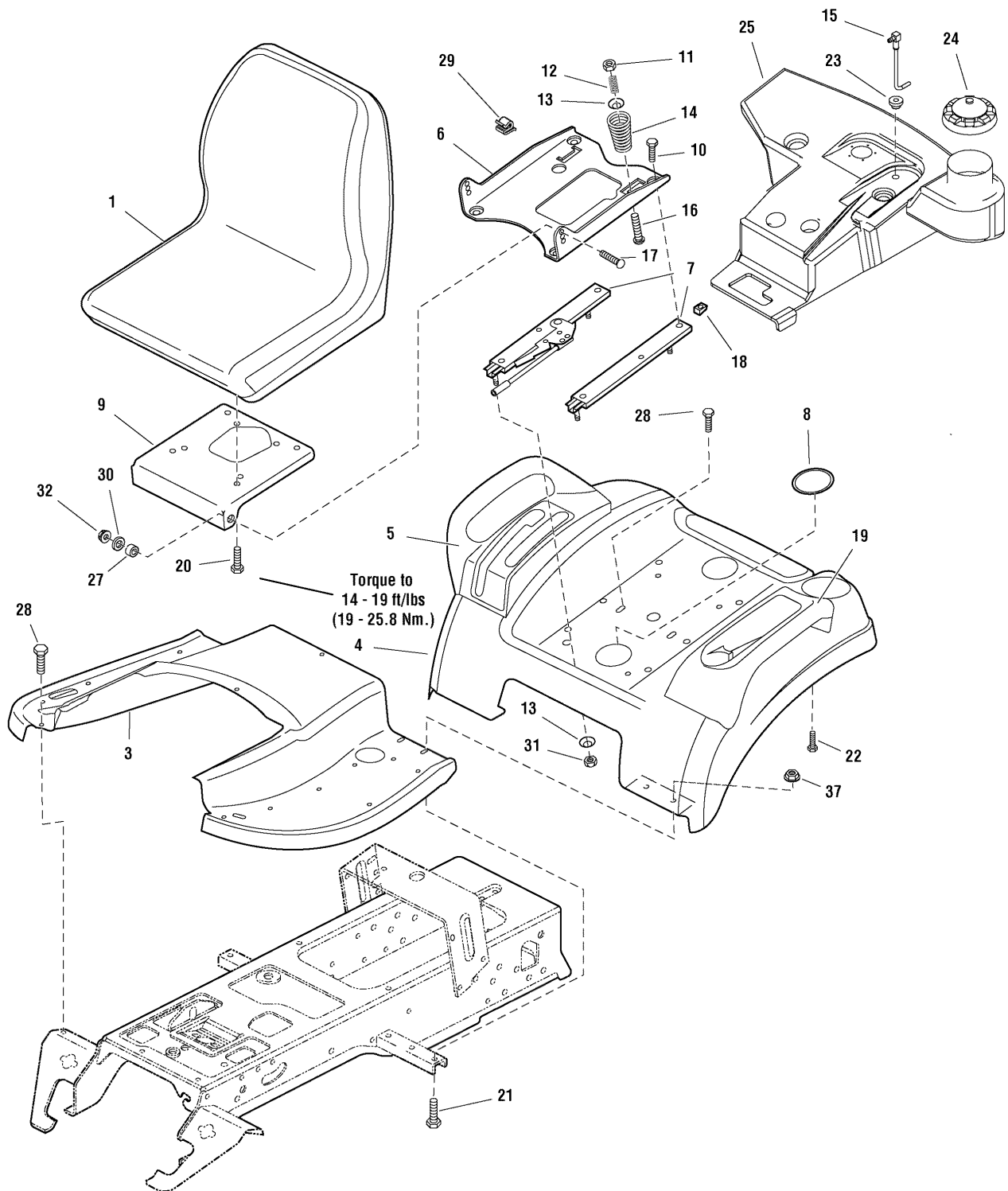
2690651 - Broadmoor

2690653 - Broadmoor

Seat Deck & Fuel Tank Group

987207

NOTE: Unless noted otherwise,
use the standard hardware torque
specification chart.



The above parts group applies to the following Mfg. Nos.:

2690652 - 2620H

Seat Deck & Fuel Tank Group

REF NO	PART NO.	QTY.	DESCRIPTION
1	1687201SM	1	SEAT, 15" Back
3	1722105CSM	1	TUNNEL, Orange
3	1722105DSM	1	TUNNEL, Red
4	1722106CSM	1	DECK, Seat Orange
4	1722106DSM	1	DECK, Seat Red
5	1722108SM	1	POD, R.H.
6	1722128ASM	1	SUPPORT, Seat
7	1722356SM	1	SLIDE, Seat
8	1722309SM	1	PLUG, Hole
9	1722129ASM	1	BRACKET, Seat
10	1930591SM	4	SCREW, Hex Whiz Lock Flange 5/16-18 x 3/4
11	1919438SM	2	NUT, Hex Lock Esna Light 5/16-18
12	1714263SM	2	SPRING, Compression
13	1709256SM	6	WASHER, Spring
14	1717051SM	2	SPRING
15	1726902SM	1	TUBE & ELBOW ASSEMBLY, Fuel Line w/Screen
16	1931339SM	2	CARRIAGE BOLT, 5/16-18 x 2 G5
17	1931350SM	2	CARRIAGE BOLT, 3/8-16 x 1 G5
18	1935255SM	4	NUT, Speed, 5/16-18 Lug Type
19	1729711SM	1	POD, w/Cup Holder
20	1960667SM	4	SCREW, Hex Flange, Whiz Lock 5/16-18 x 1
21	1930595SM	4	SCREW, Taptite 5/16-18 x 1-1/4
22	2860664SM	8	SCREW, Hex Sems Washer 1/4c x 7/8
23	1654930SM	1	BUSHING, Fuel TankFUEL TANK
24	1715917SM	1	CAP, Fuel Tank
26	1722432SM	1	TANK, Fuel
27	1663752SM	2	SPACER
28	1930601SM	2	SCREW, Hex Washer Head Taptite 5/16-18 x 5/8
29	2172434SM	1	CLIP, Wire, Panel
30	1924940SM	2	WASHER, 3/8
31	1919438SM	4	NUT, Hex Lock Esna Light 5/16-18
32	1930645SM	2	NUT, Hex Flange 3/8-16 Two-Way Lock
37	1931277SM	4	NUT, Hex Flange 5/16-18 Whiz Lock Small

Footnotes

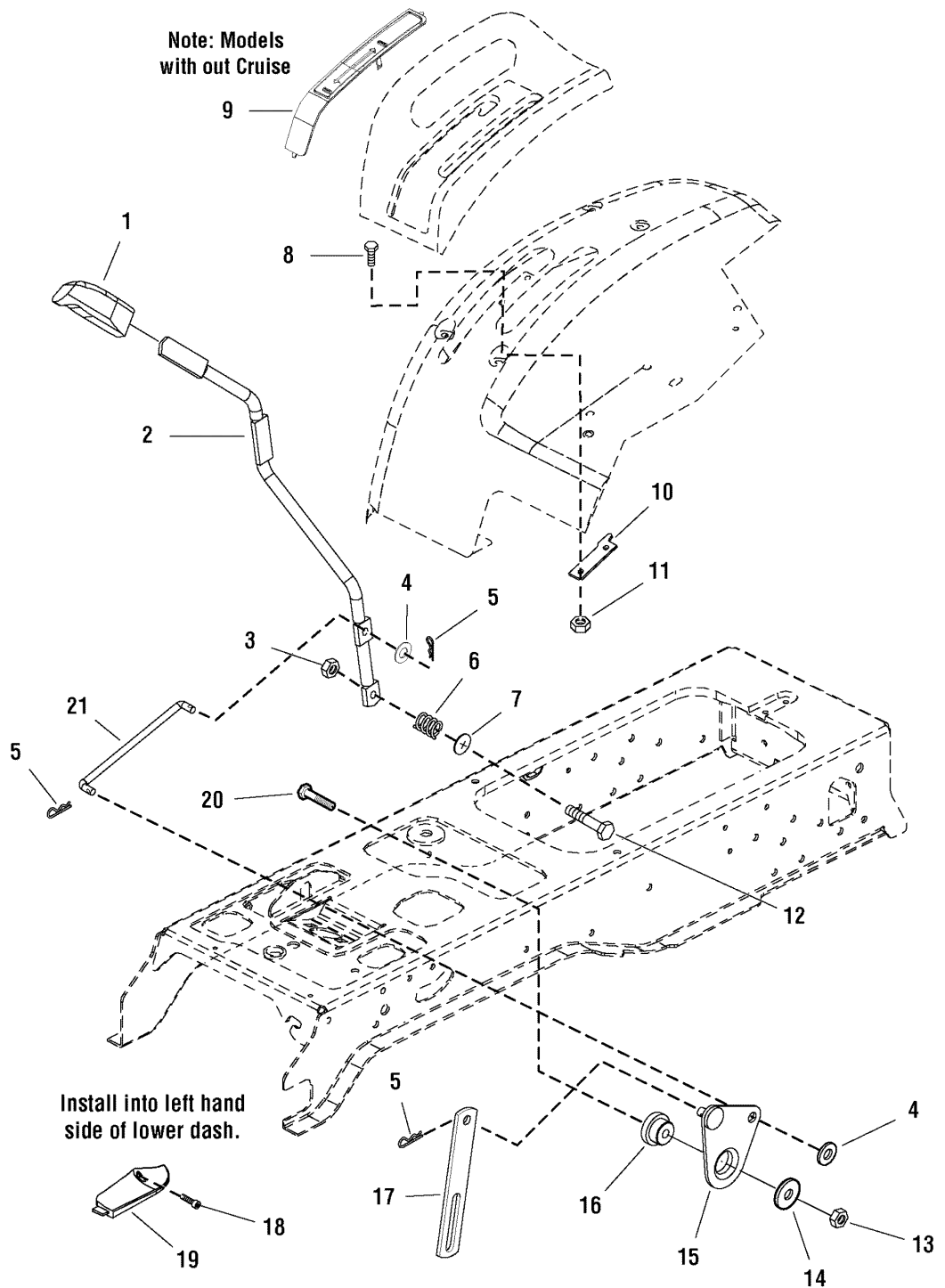
The above parts group applies to the following Mfg. Nos.:

2690652 - 2620H

Lift Group - Manual Lift with Cruise Control

986780

NOTE: Unless noted otherwise,
use the standard hardware torque
specification chart.



The above parts group applies to the following Mfg. Nos.:

2690651 - Broadmoor

2690652 - 2620H

2690653 - Broadmoor

Lift Group - Manual Lift with Cruise Control

REF NO	PART NO.	QTY.	DESCRIPTION
1	1722302SM	1	GRIP, Black Vinyl
2	1722024ASM	1	ROD, Lift Lever with Flats
3	1930645SM	1	NUT, Hex Flange Lock, 3/8-16
4	1924940SM	1	WASHER
5	1722460SM	2	PIN, Quick
6	2162085SM	1	SPRING, Compression
7	1723866SM	1	NUT, Push, 3/8
8	1923341SM	2	CAPSCREW, Hex Head, 1/4-20 x 3/4
9	1722313SM	1	PLUG, Lift Cover (Models without Cruise Control)
10	1722284ASM	1	QUADRANT
11	1920397SM	2	NUT, Hex Lock ESNA, 1/4-20
12	1923701SM	1	CAPSCREW, Hex Head, 3/8-16 x 2
13	1919438SM	4	NUT, ESNA Lock, 5/16-18
14	1960044SM	1	WASHER, Flat, 5/16 x 1-1/4
15	1722491SM	1	CAM ASSEMBLY, Lift
16	1704629SM	1	SPACER
17	1727083ASM	1	LINK, Lift Upper
18	1722607SM	1	SCREW, Torx Head, # 8-16 x 1/2
19	1722285SM	1	COVER, Dash
20	1921977SM	4	CAPSCREW, Hex Head, 5/16-18 x 1-1/4
21	1721789SM	1	ROD, Lift

Footnotes

The above parts group applies to the following Mfg. Nos.:

2690651 - Broadmoor

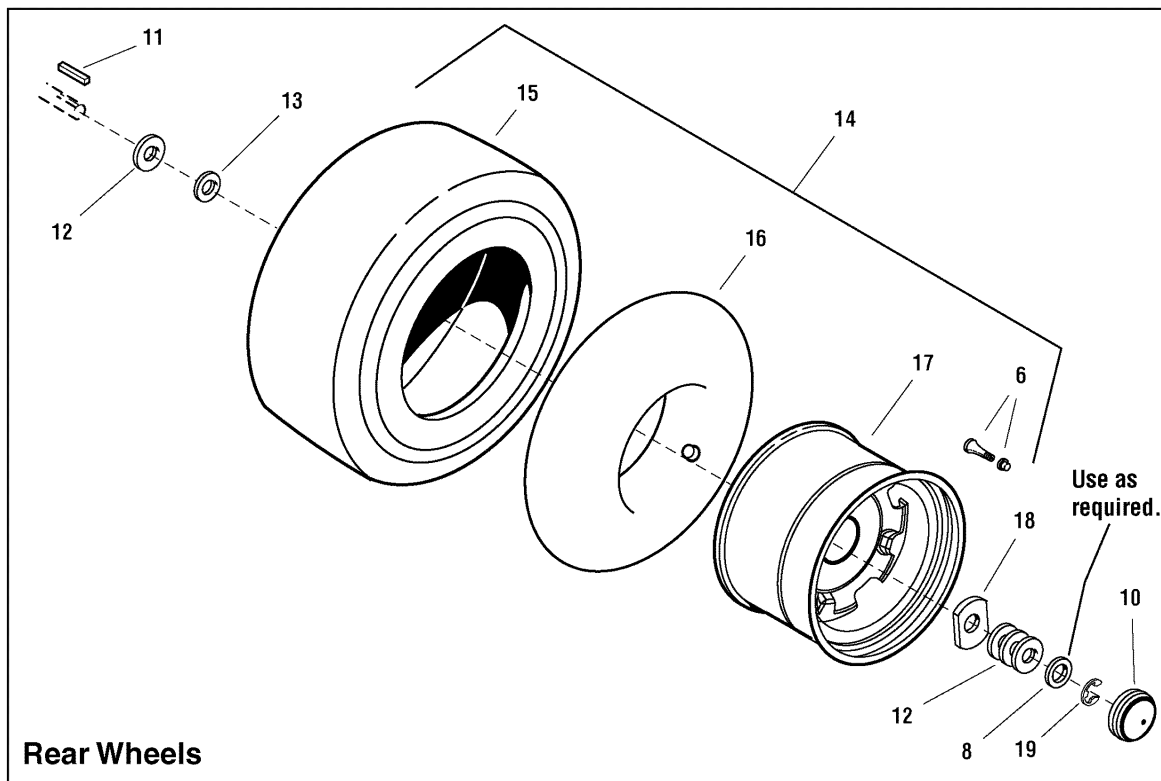
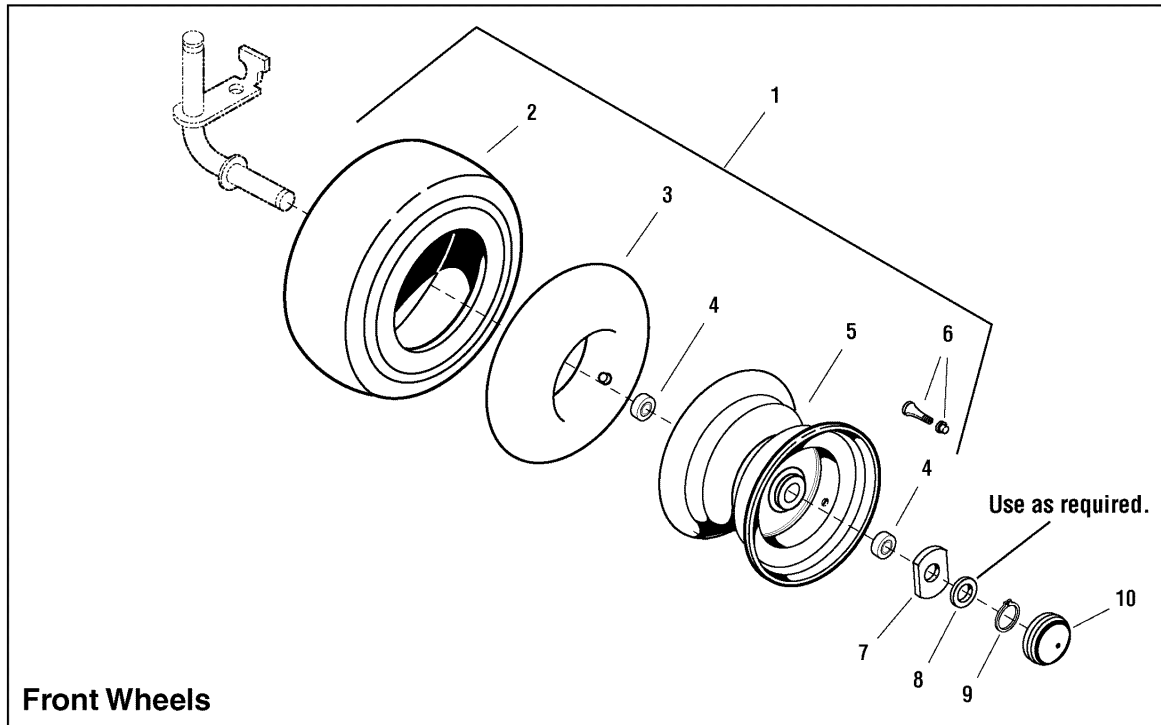
2690652 - 2620H

2690653 - Broadmoor

Wheels & Tires Group

NOTE: Unless noted otherwise,
use the standard hardware torque
specification chart.

W986614



The above parts group applies to the following Mfg. Nos.:

2690651 - Broadmoor

2690652 - 2620H

2690653 - Broadmoor

Wheels & Tires Group

REF NO	PART NO.	QTY.	DESCRIPTION
1	1732202SM	2	WHEEL & TIRE ASSEMBLY, Front, (Includes Ref. Nos. 2, 3, 4, 5, & 6)
2	1722838SM	1	TIRE, 15 x 6, Super Turf
3	1664090SM	1	TUBE, Tire, Front, 4.10/3.50
4	1717056SM	2	BEARING, Ball
5	1722837SM	1	WHEEL, 4-1/2" x 6"
6	2172353SM	4	VALVE STEM & CAP ASSEMBLY
7	1722726SM	2	WASHER, Flat 1 (Double D)
8	1919394SM	4	WASHER, 1, (As Required for All Front)
9	2832577SM	2	RING, Retaining, External #98
10	1722676SM	4	CAP, Hub, Gray
11	1729279SM	2	KEY, Parellel, 3/16 x 3/16 x 1-1/2
12	2860202SM	4	WASHER, 3/4
13	1960114SM	2	WASHER
14	1726491SM	2	WHEEL & TIRE ASSEMBLY, (Includes Ref. Nos. 6, 15, 16 & 17)
15	1727136SM	1	TIRE, 22 x 10, 10 Super Turf
16	2173477SM	1	TUBE, Tire, 20 x 8, Rear
17	1726492SM	1	WHEEL, 7 x 9.97, W/ 3/4 OD Shaft
18	1722717SM	2	WASHER, Special
19	2827794SM	2	RING, "E" External

Footnotes

The above parts group applies to the following Mfg. Nos.:

2690651 - Broadmoor

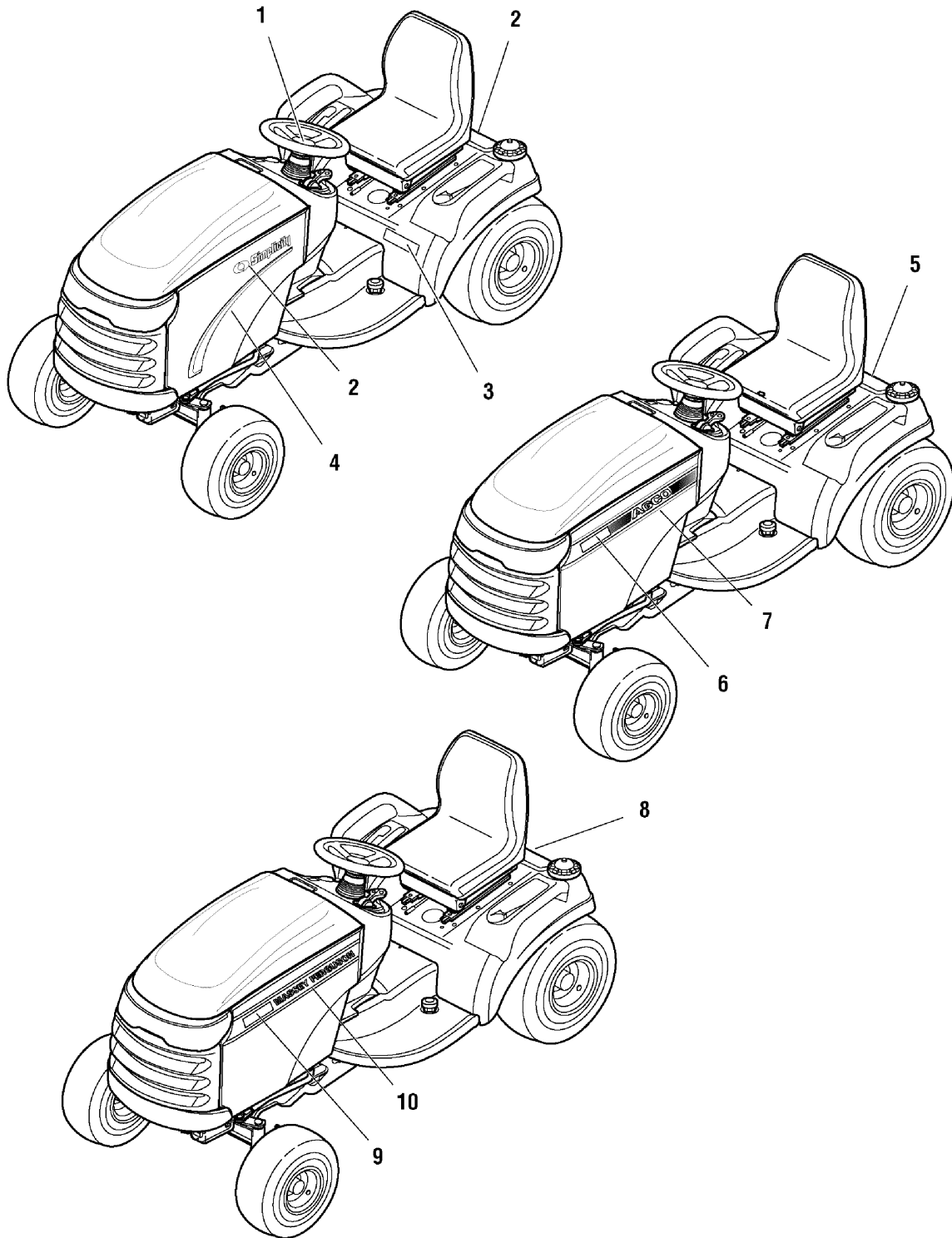
2690652 - 2620H

2690653 - Broadmoor

Decals - Brand & Model

NOTE: Unless noted otherwise,
use the standard hardware torque
specification chart.

B986614



The above parts group applies to the following Mfg. Nos.:

2690651 - Broadmoor

2690652 - 2620H

2690653 - Broadmoor

Decals - Brand & Model

REF NO	PART NO.	QTY.	DESCRIPTION
1	1731418SM	1	DECAL, ICON Simplicity, Orange
2	1722551SM	3	DECAL, Simplicity, Silver & Blue w/Icon
3	1722776SM	1	DECAL, Broadmoor, Silver & Blue
4	1722773SM	1	DECAL, Hood Stripe, RH, Simplicity, Blue & Silver
4	1722774SM	1	DECAL, Hood Stripe, LH, Simplicity, Blue & Silver
5	1708926SM	1	DECAL, AGCO, Logo Black, Chrome, Orange
6	1727069SM	1	DECAL, 1620, White, AGCO
7	1722818SM	1	DECAL, Hood Stripe, RH, AGCO
7	1722817SM	1	DECAL, Hood Stripe, LH, AGCO
8	1714363SM	1	DECAL, Massey Ferguson Logo, 3 Triangles
9	1725646SM	1	DECAL, 2618, Black, Massey Ferguson
9	1728112SM	1	DECAL, 2618, Cool Grey, Massey Ferguson
9	1727070SM	2	DECAL, 2620, Black, Massey Ferguson
9	1728054SM	2	DECAL, 2620, Cool Grey, Massey Ferguson
10	1727783SM	1	DECAL, Hood Stripe, LH, Massey Ferguson
10	1727784SM	1	DECAL, Hood Stripe, RH, Massey Ferguson

Footnotes

The above parts group applies to the following Mfg. Nos.:

2690651 - Broadmoor

2690652 - 2620H

2690653 - Broadmoor

Decals - Safety & Common

REF NO	PART NO.	QTY.	DESCRIPTION
1	1722806SM	1	DECAL, Ignition Switch Symbols, White/Black
2	1718025SM	1	DECAL, Automatic Control Traction
3	1722779SM		DECAL, 18HP
3	1722780SM	1	DECAL, 20HP
4	1726923SM	1	DECAL, Tunnel Cover, Danger Slopes/Blades
4	1734027SM	1	DECAL, Tunnel Cover, Danger Slopes/Blades, (Export)
5	1727014SM	1	DECAL, Drive Belts, Mower Blades
6	1723296SM	2	DECAL, Protective Sticker
7	*	1	LABEL, Decibel, Power Mass (Export)
8	*	1	DECAL, I.D. Plate
9	1720454SM	1	DECAL, Touch Up Paint (Orange)
9	1725072SM	1	DECAL, Touch Up Paint (Red)
10	*	1	DECAL, Patent
11	1708927	1	DECAL, USA Logo Stars & Stripe
12	1723160SM	1	DECAL, Transmission Release Valve
13	1720389SM	2	DECAL, Danger Rotating Blades (Export)
14	1704276SM	1	DECAL, Danger Do Not Put Hands/Feet in Mower
15	1722771SM	1	DECAL, Free Floating Mower, Silver
16	*	1	DECAL, OPEI Certified
17	1722787SM	1	DECAL, 38", Silver on Black with Stripe
17	1722788SM	1	DECAL, 40", Silver on Black with Stripe
17	1722789SM	1	DECAL, 44", Silver on Black with Stripe
17	1722790SM	1	DECAL, 50", Silver on Black with Stripe
18	1704277SM	1	DECAL, Danger Do Not Operate Without Deflector
19	1721197SM	1	DECAL, Height of Cut, 38", 44" & 50"
20	1720919SM	1	DECAL, Height of Cut, 40"
21	1723143SM	1	DECAL, Deck Lift (Not Shown)

Footnotes

The above parts group applies to the following Mfg. Nos.:

2690651 - Broadmoor

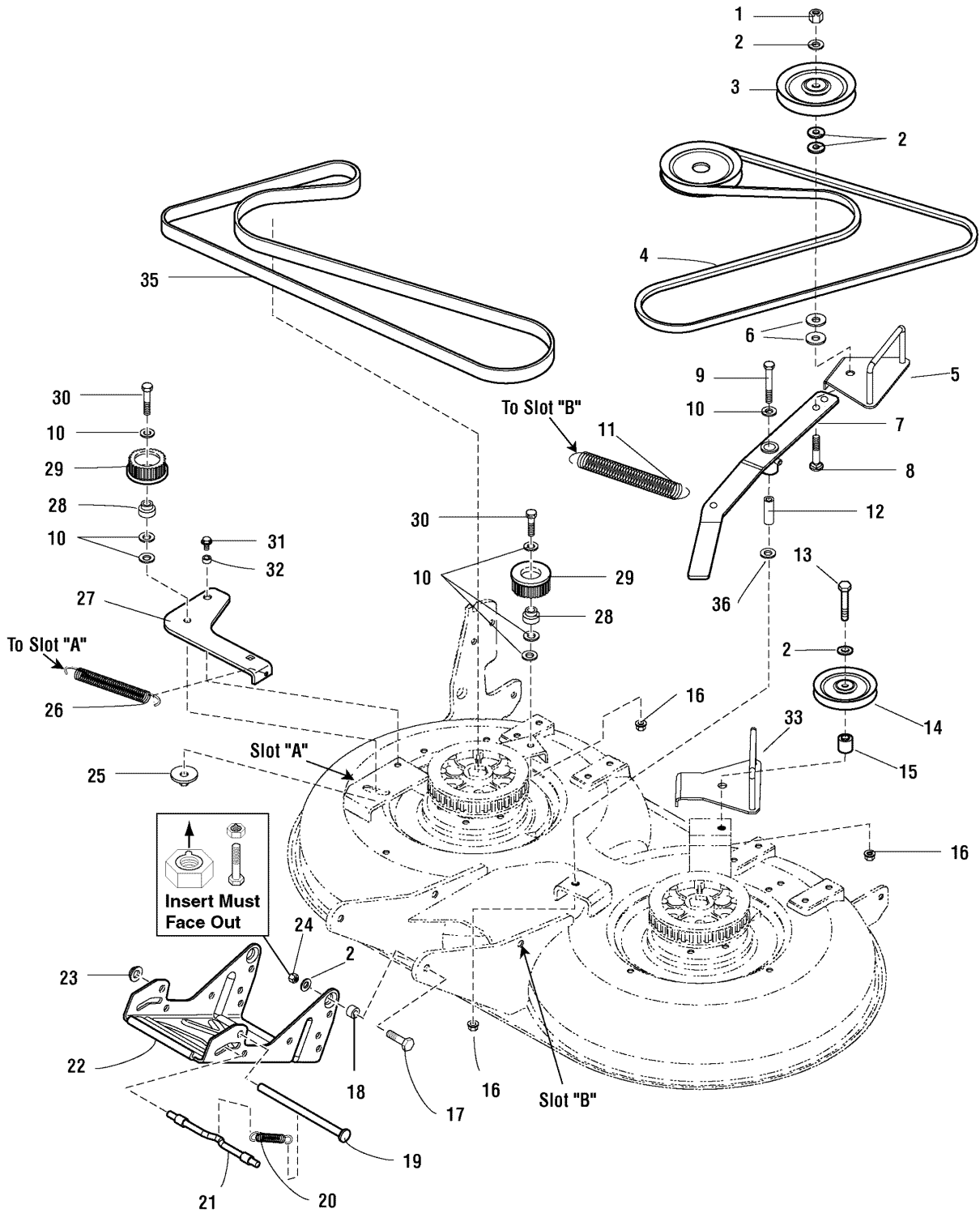
2690652 - 2620H

2690653 - Broadmoor

40" Mower Deck - Belt, Idler Arm & Hitch

986250

NOTE: Unless noted otherwise,
use the standard hardware torque
specification chart.



The above parts group applies to the following Mfg. Nos.:

- 1695030 - 40" Mower
- 1695052 - 40" Mower
- 2690653 - Broadmoor

40" Mower Deck - Belt, Idler Arm & Hitch

REF NO	PART NO.	QTY.	DESCRIPTION
1	1919439SM	1	NUT, Hex Lock Esna Light, 3/8-16
2	1924940SM	6	WASHER, 3/8
3	1725408SM	1	PULLEY, Idler
4	1721532SM	1	V-BELT, Arbor Drive
5	1722175ASM	1	BELT GUIDE
6	1960534SM	2	WASHER, 3/8
7	1724835SM	1	ARM ASSEMBLY, Idler with Bushings & Fitting, 38 Tooth
8	1931355SM	1	CARRIAGE BOLT, 3/8-16 x 2
9	1960614SM	1	CAPSCREW, Hex Head, 3/8-16 x 2-3/4 G8
10	1922755SM	6	WASHER, 3/8
11	1715435SM	1	SPRING, Extension, Idler Arm
12	1657242SM	1	SPACER, Hardened
13	1922130SM	1	CAPSCREW, Hex Head, 3/8-16 x 2-1/4
14	1723952SM	1	PULLEY
15	1667812SM	1	SPACER
16	1928352SM	4	NUT, Hex Flange Whiz Lock, Large, 3/8-16
17	1921969SM	2	CAPSCREW, Hex Head, 3/8-16 x 1-3/8
18	1732443SM	2	SPACER
19	1713578SM	1	ROD, Mower Hitch
20	2156302	1	SPRING, Extension, Hitch Release
21	1715759SM	1	ROD, Latch
22	1720044ASM	1	HITCH, Mower
23	1960519SM	1	NUT, Push
24	2860681SM	2	NUT, Hex Toplock Sprial Flange, 3/8-16
25	1721425SM	1	WASHER & NUT ASSEMBLY, 3/8 x 1-1/2
26	1674671SM	1	SPRING, Extension
27	1726387	1	ARM, Idler
28	1719221SM	2	HUB
29	1731892SM	2	PULLEY, Idler
30	1960746SM	2	SCREW-Hex Head Flange 3/8-16 x 2
31	1930601SM	1	CAPSCREW, Taptite Hex Washer Head, 5/16-18 x 1/2
32	1666697SM	1	SPACER
33	1722182ASM	1	BELT GUIDE
35	1724625SM	1	BELT, Timing, 38 Tooth
36	1933263SM	1	WASHER, 3/8

Footnotes

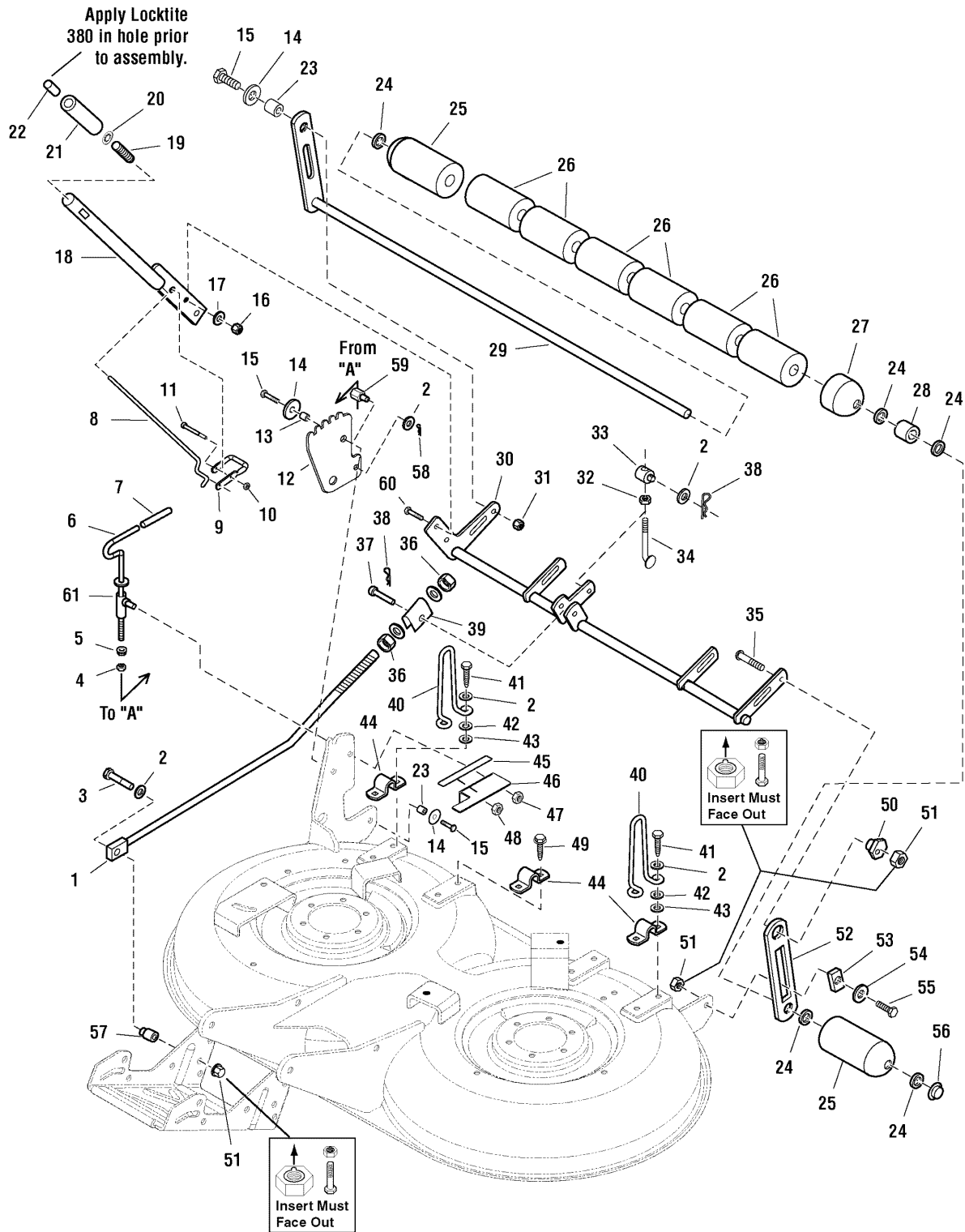
The above parts group applies to the following Mfg. Nos.:

1695030 - 40" Mower
1695052 - 40" Mower
2690653 - Broadmoor

40" Mower Deck - Height Adjustment & Roller Bar

986049

NOTE: Unless noted otherwise,
use the standard hardware torque
specification chart.



The above parts group applies to the following Mfg. Nos.:

- 1695030 - 40" Mower
- 1695052 - 40" Mower
- 2690653 - Broadmoor

40" Mower Deck - Height Adjustment & Roller Bar

REF NO	PART NO.	QTY.	DESCRIPTION
1	1722661SM	1	ROD
2	1924940SM	8	WASHER, 3/8
3	1922606SM	1	CAPSCREW, Hex Head, 3/8-16 x 1 3/4
4	1917421SM	1	NUT, Hex Jam, 3/8-16
5	1960601SM	1	NUT, Hex Flange, 3/8-16 Black
6	1720704SM	1	ROD & WASHER ASSEMBLY, Adjust Handle
7	1651820SM	1	GRIP, Black Vinyl For Rod
8	1721257SM	1	ROD, Latch
9	1720599SM	1	LATCH, 5/16 WIRE
10	1920397SM	1	NUT, Hex Lock Esna Light, 1/4-20
11	1921159SM	1	CAPSCREW, Hex Head, 1/4-20 x 2 1/4
12	1723409ASM	1	BRACKET, Adjusting
13	1666697SM	1	SPACER
14	1960044SM	5	WASHER, 5/16
15	1921977SM	2	CAPSCREW, Hex Head, 5/16-18 x 1 1/4
16	1917372SM	3	NUT, Hex 5/16-18
17	1917356SM	3	LOCKWASHER, Spring 5/16
18	1720695ASM	1	HANDLE ASSEMBLY, Lift, 40" Munching
19	1723321SM	1	SPRING, Compression 3-7/8" Long
20	1960674SM	1	PUSH NUT, 1/4
21	1713995SM	1	GRIP, Black Soft for Rod
22	1723124SM	1	BUTTON, Red
23	1960236SM	4	SPACER
24	1924366SM	7	WASHER, 5/8
25	1722036SM	2	ROLLER
26	1668513SM	6	ROLLER
27	1717675SM	2	ROLLER
28	1602946SM	1	SPACER
29	1723305ASM	1	SHAFT & BAR ASSEMBLY
30	1723303ASM	1	SHAFT ASSEMBLY
31	2860643SM	2	NUT, Hex, 5/16-18
32	1920161SM	1	NUT, Hex Jam, 5/16-18
33	1731382SM	1	TRUNNION
34	1724959SM	1	ROD, Height Adjustment
35	1931352SM	1	CARRIAGE BOLT, 3/8-16 x 1-1/2
36	1915726SM	2	NUT, Hex, 5/8-11
37	2118053SM	1	PIN
38	1960074SM	2	CLIP, Hair Pin
39	1706645ASM	1	TRUNNION, Rod
40	1720659SM	2	UPSTOP
41	1931202SM	4	CAPSCREW, Hex Head Taptite, 5/16-18 x 1-1/4
42	1919381SM	6	WASHER, 5/16
43	1933988SM	4	NUT, Push, 5/16
44	1665374SM	3	STRAP, Roller Support

Footnotes

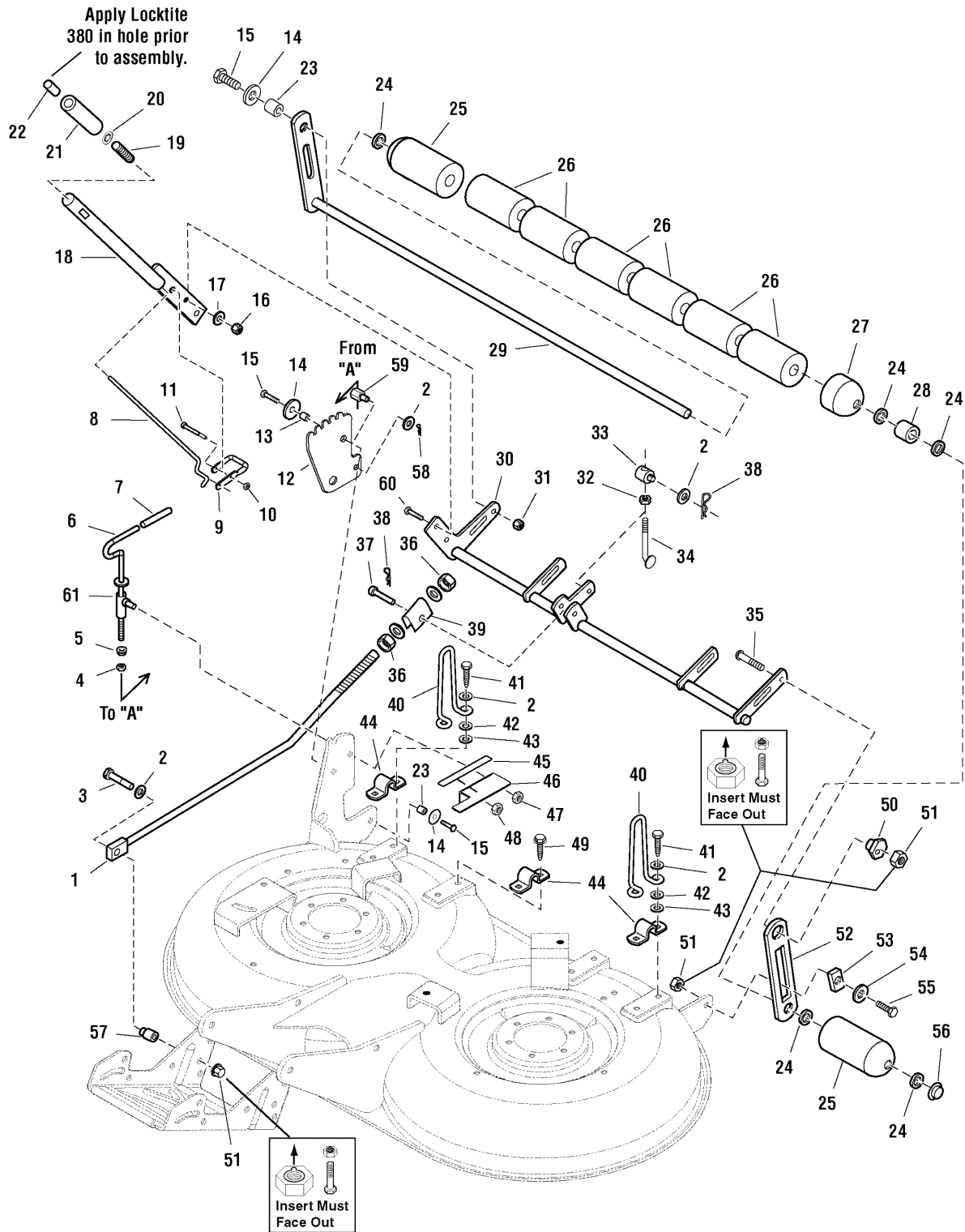
The above parts group applies to the following Mfg. Nos.:

1695030 - 40" Mower
1695052 - 40" Mower
2690653 - Broadmoor

40" Mower Deck - Height Adjustment & Roller Bar

986049

NOTE: Unless noted otherwise,
use the standard hardware torque
specification chart.



The above parts group applies to the following Mfg. Nos.:

- 1695030 - 40" Mower
- 1695052 - 40" Mower
- 2690653 - Broadmoor

40" Mower Deck - Height Adjustment & Roller Bar

REF NO	PART NO.	QTY.	DESCRIPTION
45	1720919SM	1	DECAL, Height of Cut
46	1720931ASM	1	BRACKET, Height of Cut
47	1930645SM	1	NUT, Hex Centerlock 3/8-16
48	1935048SM	1	NUT, Hex Flange Lock, 5/16-18
49	1664847SM	8	CAPSCREW, Taptite Hex Washer Head, 5/16-18 x 3/4
50	1704082SM	1	NUT, Hex Adjusting
51	2860681SM	3	NUT, Toplock Spiral Flange, 3/8-16
52	1704073ASM	1	BAR
53	1677507SM	1	SLIDE
54	1924361SM	1	WASHER, 1/2
55	2172622SM	1	BOLT, Shoulder, 3/8-16 x 1-11/32
56	1960520SM	1	NUT, Push 5/8
57	1706644SM	1	SPACER
58	1918447SM	1	PIN, Cotter
59	2108512SM	1	PIVOT, 3/4 Hex
60	1931335SM	2	CARRIAGE BOLT, 5/16-18 x 1
61	2108241SM	1	GUIDE ASSEMBLY, Rod

Footnotes

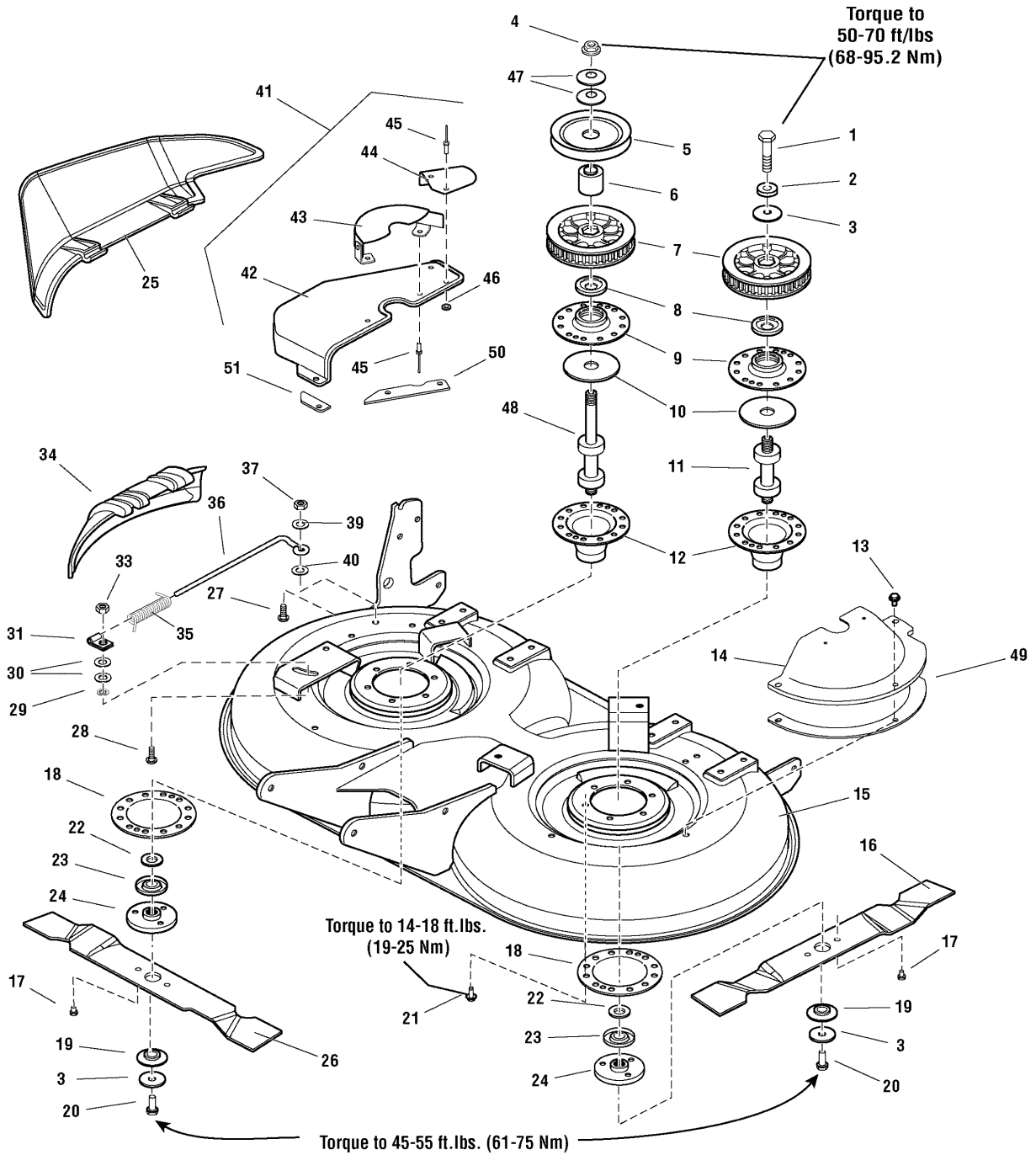
The above parts group applies to the following Mfg. Nos.:

1695030 - 40" Mower
1695052 - 40" Mower
2690653 - Broadmoor

40" Mower Deck - Housing, Arbors & Blades

986248

NOTE: Unless noted otherwise,
use the standard hardware torque
specification chart.



The above parts group applies to the following Mfg. Nos.:

- 1695030 - 40" Mower
- 1695052 - 40" Mower

40" Mower Deck - Housing, Arbors & Blades

REF NO	PART NO.	QTY.	DESCRIPTION
1	1930584SM	1	CAPSCREW, Hex Head, 7/16-14 x 2-3/4 G8
2	1933263SM	1	WASHER, 7/16
3	1656916SM	3	WASHER, Spring
4	1714419SM	1	NUT, Hex Flange, 9/16-18
5	1713091SM	1	PULLEY
5	1732123SM	1	PULLEY, Drive
6	1719870SM	1	HUB
7	1687229SM	2	SPROCKET & FLANGE ASSEMBLY, w/Screws, 38 Tooth
8	1657969SM	2	SHIELD, Bearing Upper, Arbor
9	1655729ASM	2	HOUSING, Arbor Top
10	1707335SM	2	GASKET, Foam Poly
11	1722396SM	1	ARBOR SHAFT & BEARINGS ASSEMBLY
12	1703273ASM	2	HOUSING, Arbor Bottom with Lube Fitting
13	1664847SM	6	CAPSCREW, Taptite Hex Washer Head, 5/16-18 x 3/4
14	1724601SM	1	COVER, Arbor, LH
15	1686978SM	1	HOUSING ASSEMBLY, 40", Orange
15	1687175SM	1	HOUSING ASSEMBLY, 40", Red
16	1719624ASM	1	BLADE, Mower, LH
17	1722258SM	2	PIN, Blade
18	1677274ASM	2	ADAPTOR, Arbor
19	1722257SM	2	WASHER, Spline
20	2827120SM	2	CAPSCREW, Hex Head, 7/16-14 x 2-1/4 G8
21	1960373SM	12	CAPSCREW, Taptite Hex Washer Head, 5/16-18 x 1
22	1700230SM	2	WASHER, Shim
23	1700229SM	2	SHIELD, Arbor Bearing, Lower
24	1655777SM	2	ADAPTER, Blade
25	1723453SM	1	DEFLECTOR, Discharge
26	1719623ASM	1	BLADE, Mower, RH
27	1931335SM	1	CARRIAGE BOLT, 5/16-18 x 1
28	1931318SM	1	CARRIAGE BOLT, 1/4-20 x 7/8
29	1960518SM	1	NUT, Push
30	1960353SM	2	WASHER, 1/4
31	1704873SM	1	CLAMP
33	1920397SM	1	NUT, Hex 1/4-20, ESNA
34	1719597SM	1	DOOR, Mulching, Black Plastic
35	1723938SM	1	SPRING, Torsion
36	1719617SM	1	ROD, Pivot
37	1919438SM	1	NUT, Hex 5/16-18, ESNA
39	1919381SM	1	WASHER, 5/16
40	1933988SM	1	NUT, Push
41	1721155SM	1	COVER ASSEMBLY, Arbor, RH (Includes Ref. Nos. 42 thru 46)
42	1724600SM	1	COVER, Arbor RH
42	1732425SM	1	COVER, Arbor RH
43	1721259ASM	1	GUARD ASSEMBLY, RH

Footnotes

The above parts group applies to the following Mfg. Nos.:

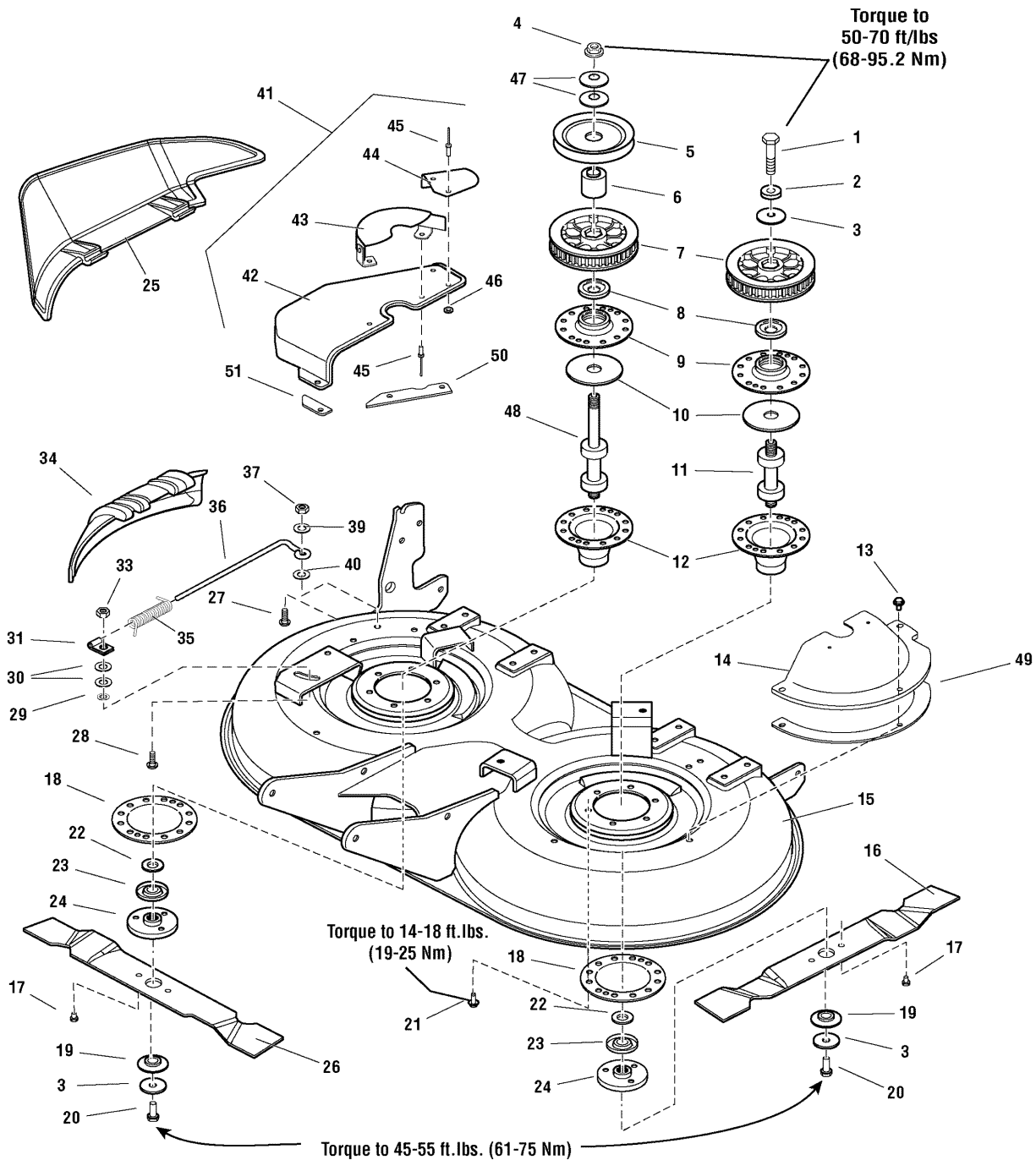
1695030 - 40" Mower

1695052 - 40" Mower

40" Mower Deck - Housing, Arbors & Blades

986248

NOTE: Unless noted otherwise,
use the standard hardware torque
specification chart.



The above parts group applies to the following Mfg. Nos.:

- 1695030 - 40" Mower
- 1695052 - 40" Mower

40" Mower Deck - Housing, Arbors & Blades

REF NO	PART NO.	QTY.	DESCRIPTION
44	1721132ASM	1	GUARD, Extension
45	1675044SM	4	RIVIT, Pop
46	1960096SM	4	WASHER, 3/16 x 3/4 x 1/16
47	1713675SM	2	WASHER, Bellville
48	1726825SM	1	ARBOR SHAFT & BEARING ASSEMBLY
49	1732960SM	1	SHIM-Cover LH 7GA 40" Mower
50	1732691SM	1	SHIM-Cover RH 7GA 6.5 LG 40" Mower
51	1732693SM	1	SHIM-Cover RH 7GA 2.8 LG 40" Mower

Footnotes

The above parts group applies to the following Mfg. Nos.:

1695030 - 40" Mower

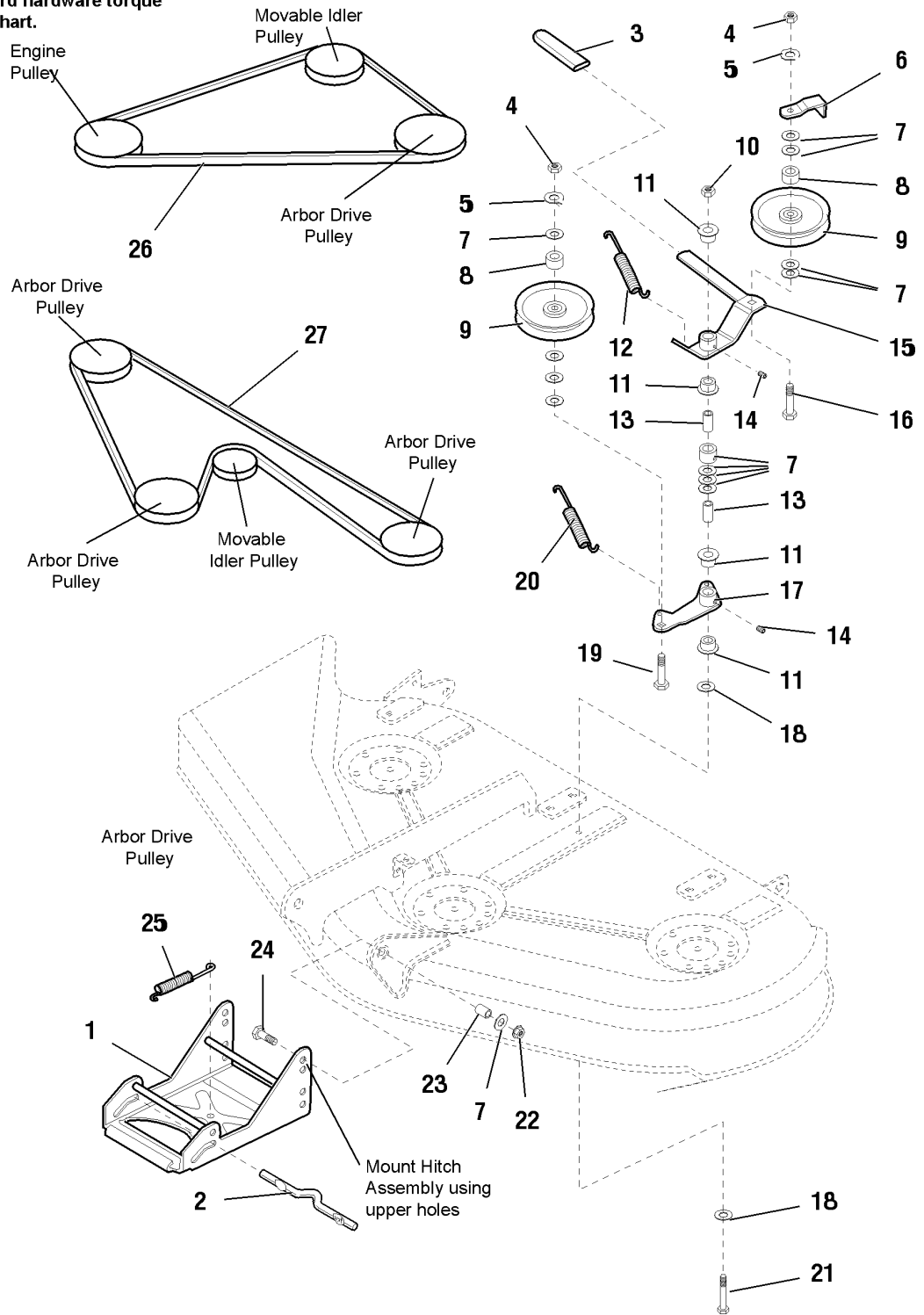
1695052 - 40" Mower

44" & 50" Mower Deck - Belt, Pulley & Hitch Group

0101

NOTE: Unless noted otherwise, use the standard hardware torque specification chart.

NOTE: Unless noted otherwise, use the standard hardware torque specification chart.



The above parts group applies to the following Mfg. Nos.:

2690651 - Broadmoor
2690652 - 2620H

44" & 50" Mower Deck - Belt, Pulley & Hitch Group

REF NO	PART NO.	QTY.	DESCRIPTION
1	1707432ASM	1	HITCH ASSEMBLY
2	1715759SM	1	ROD, Latch
3	1665835	1	GRIP, Lever
4	1916950SM	2	NUT, Hex, 3/8-16
5	1916965SM	2	LOCKWASHER, 3/8
6	1677135ASM	1	BELT STOP, Idler
7	1924940SM	14	WASHER, Plain, 13/32
8	1666294SM	2	SPACER
9	1685150SM	2	PULLEY, Idler (Includes Ref. No. 8)
10	1930645SM	1	NUT, Hex Flange, 2-Way Lock, 3/8-16
11	1676148SM	4	BUSHING
12	1715435SM	1	SPRING
13	1674669SM	2	SPACER
14	2812808SM	2	FITTING, Grease
15	1704658SM	1	LEVER ASSEMBLY, Idler (Includes Ref. Nos. 11 & 14)
16	1960315SM	1	CARRIAGE BOLT, 3/8-16 x 2
17	1718561SM	1	LEVER ASSEMBLY, Idler Arm (Includes Ref. Nos. 11 & 14)
18	1924356SM	2	WASHER, 3/8
19	1931352SM	1	CARRIAGE BOLT, 3/8-16 x 1-1/2
20	1656936SM	1	SPRING
21	1923938SM	1	CAPSCREW, Hex Head, 3/8-16 x 3-1/2
22	1919439SM	2	NUT, Hex Nylon Lock, 3/8-16
23	2157081SM	2	SPACER
24	1921969SM	2	CAPSCREW, Hex Head, 3/8-16 x 1-1/2
25	2156302	1	SPRING
26	1601672SM	1	V-BELT, Mower Drive, 44" Deck
26	1707740SM	1	V-BELT, Mower Drive, 50" Deck
27	1721532SM	1	V-BELT, Arbor Drive, 44" Deck
27	1703836SM	1	V-BELT, Arbor Drive., 50" Deck

Footnotes

The above parts group applies to the following Mfg. Nos.:

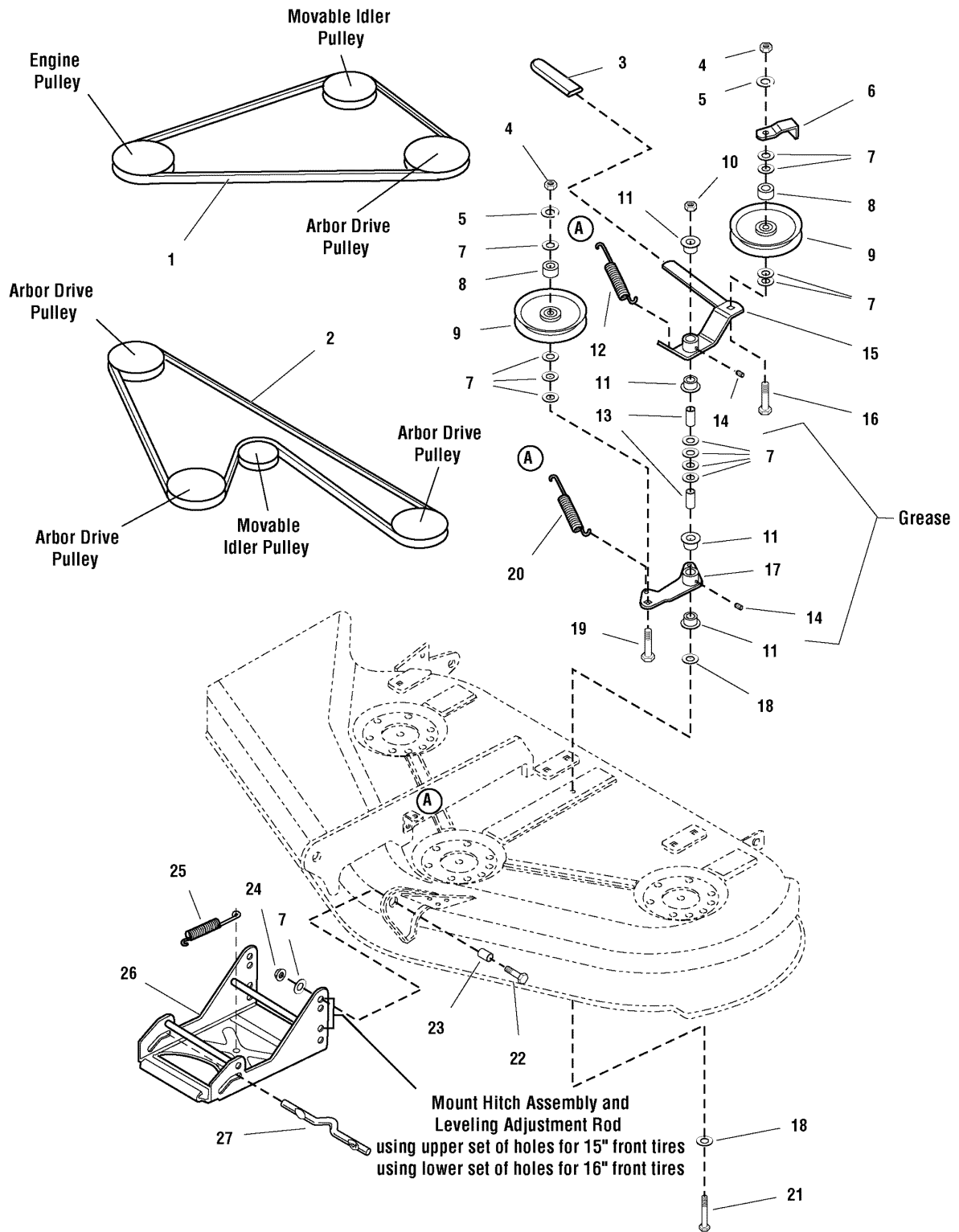
2690651 - Broadmoor

2690652 - 2620H

44" Mower Deck - Belt, Idler Arm & Hitch

986945

NOTE: Unless noted otherwise, use the standard hardware torque specification chart.



The above parts group applies to the following Mfg. Nos.:

1694178 - 44" Mower

1695038 - 44" Mower

44" Mower Deck - Belt, Idler Arm & Hitch

REF NO	PART NO.	QTY.	DESCRIPTION
1	1601672SM	1	V-BELT, Mower Drive
2	1721532SM	1	V-BELT, Arbor Drive
3	1665835	1	GRIP, Lever
4	1916950SM	2	NUT, Hex, 3/8-16
5	1916965SM	2	WASHER, Lock, 3/8
6	1677135ASM	1	BELT STOP, Idler
7	1924940SM	14	WASHER, 3/8
8	1666294SM	2	SPACER, 25/64 x 21/32 x 7/16, Powder Metal
9	1685150SM	2	PULLEY, Idler (Includes Ref. No. 8)
10	1960339SM	1	NUT, Hex Flange, 3/8-16, MAC Lock Large, Black
11	1676148SM	4	BUSHING, 5/8 x 3/4 x 13/32, Powder Metal
12	1715435SM	1	SPRING
13	1674669SM	2	SPACER, 25/64 x 5/8 x 1-1/8, Case Hardened
14	2812808SM	2	GREASE FITTING
15	1704658SM	1	LEVER ASSEMBLY, Idler (Includes Ref. Nos. 3, 11 & 14)
16	1960315SM	1	CARRIAGE BOLT, 3/8-16 x 2
17	1718561SM	1	LEVER ASSEMBLY, Idler Arm (Includes Ref. Nos. 11 & 14)
18	1924356SM	2	WASHER, 3/8, Black
19	1931352SM	1	CARRIAGE BOLT, 3/8-16 x 1-1/2
20	1656936SM	1	SPRING
21	1923938SM	1	CAPSCREW, Hex Head, 3/8-16 x 3-1/2
22	1921968SM	2	CAPSCREW, Hex Head, 3/8-16 x 1-3/8
23	2157081SM	2	SPACER, 3/8 x 3/4 x 1/2
24	2860681SM	2	NUT, Hex Toplock Spirallock Flange, 3/8-16
25	2156302SM	1	SPRING
26	1707432ASM	1	HITCH ASSEMBLY
27	1715759SM	1	ROD, Latch

Footnotes

The above parts group applies to the following Mfg. Nos.:

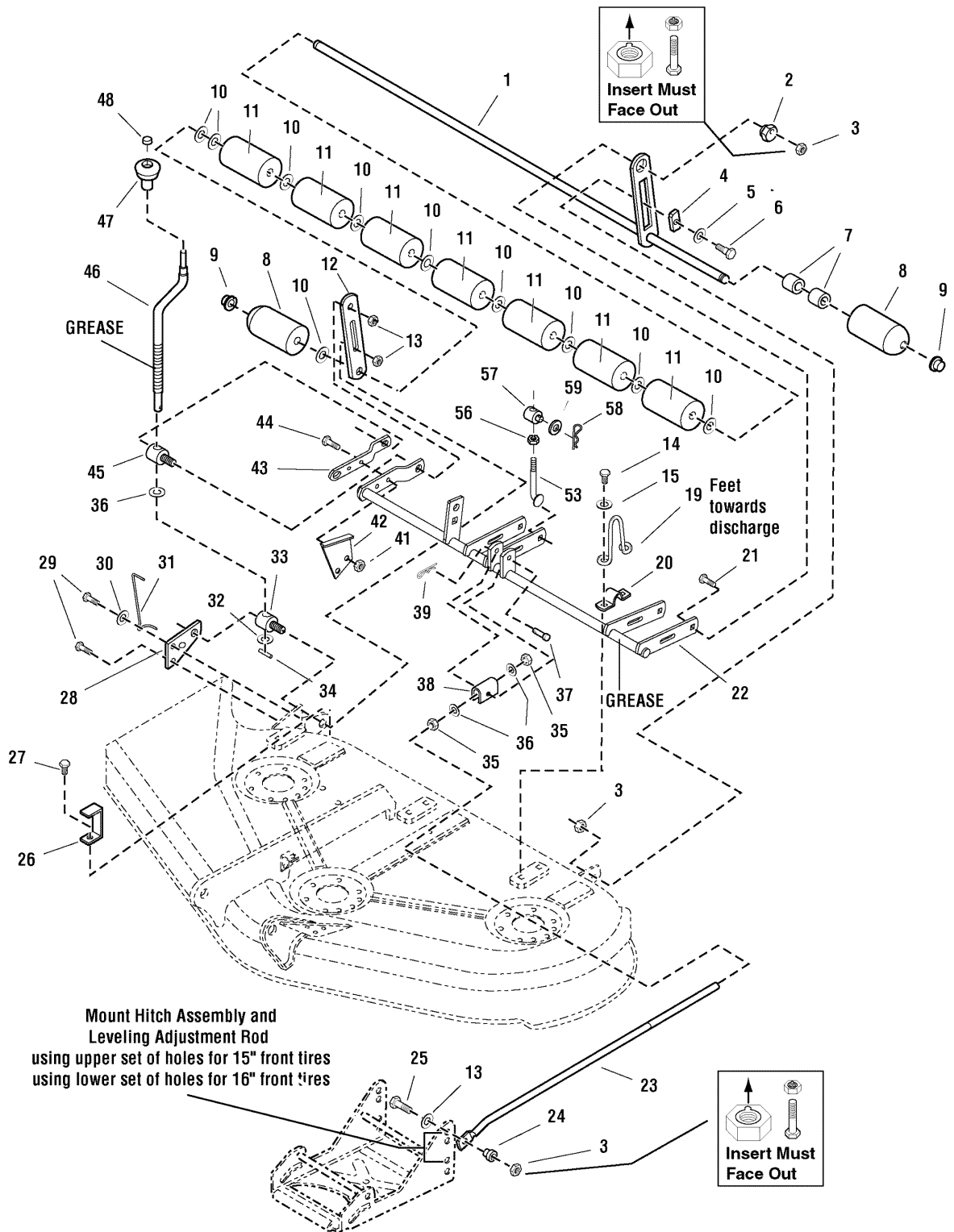
1694178 - 44" Mower

1695038 - 44" Mower

44" Mower Deck - Height Adjustment & Roller Bar

985973

NOTE: Unless noted otherwise,
use the standard hardware torque
specification chart.



The above parts group applies to the following Mfg. Nos.:

- 1694178 - 44" Mower
- 1695038 - 44" Mower
- 2690651 - Broadmoor
- 2690652 - 2620H

44" Mower Deck - Height Adjustment & Roller Bar

REF NO	PART NO.	QTY.	DESCRIPTION
1	1685443SM	1	SHAFT & BAR ASSEMBLY, 44" (Includes Ref. No. 9)
2	1704082SM	1	NUT, Adjuster
3	2860681SM	3	NUT, Toplock Spiral Flange, 3/8-16
4	1677507SM	1	SLIDE
5	1924361SM	1	WASHER, Plain, 1/2
6	2172622SM	1	BOLT, Shoulder, 3/8-16
7	1602946SM	2	SPACER, 25/64 x 13/16 x 13/16, Steel, Black
8	1722036SM	2	ROLLER, Rounded, 2-1/2 Long
9	1960520SM	2	NUT, Push
10	1924366SM	10	WASHER, Plain, 1-1/4
11	1668513SM	7	ROLLER
12	1704074ASM	1	BAR, Roller
13	1930644SM	2	NUT, Hex, Flange, Lock, 1/2-13
14	1664847SM	5	CAPSCREW, Hex Head Taptite, 5/16 -18 x 3/4
15	1924940SM	3	WASHER, 3/8
19	1720659SM	1	UPSTOP
20	1665374SM	3	STRAP, Mower Arm Assembly
21	1931352SM	1	CARRIAGE BOLT, 3/8-16 x 1-1/2
22	1733521ASM	1	ARM ASSEMBLY, Mower
23	1704093SM	1	ROD, Adjustment
24	1706644SM	1	SPACER, 3/8 x 3/4 x 15/16
25	1922606SM	1	CAPSCREW, Hex Head, 3/8-16 x 1-3/4
26	1722750ASM	1	BRACKET, Upstop
27	1664847SM	2	CAPSCREW, Hex Washer Head Taptite, 5/16-18 x 3/4, Black
28	1704080ASM	1	PLATE, Mower Support
29	1931202SM	2	CAPSCREW, Hex Head Taptite, 5/16-18 x 1-1/4
30	1919381SM	5	WASHER, 5/16, Black
31	1704114SM	1	INDICATOR, Height of Cut
32	1704097SM	1	WASHER, Detent
33	1704086SM	1	TRUNNION
34	2816001SM	1	PIN, Roll, 1
35	1913744SM	2	NUT, Hex, Jam, 1/2-13
36	1960170SM	3	WASHER, 33/64
37	2118053SM	1	PIN, Clevis
38	1704081ASM	1	TRUNNION
39	1960074SM	2	CLIP, Hair Pin
41	1931277SM	2	NUT, Whizlock 5/16-18
42	1704116ASM	1	BRACKET, Height of Cut
43	1704083ASM	1	ARM, Rear, Mower, RH
44	1921977SM	2	CAPSCREW, Hex Head, 5/16-18 x 1-1/4
45	1704087SM	1	TRUNNION, Threaded

Footnotes

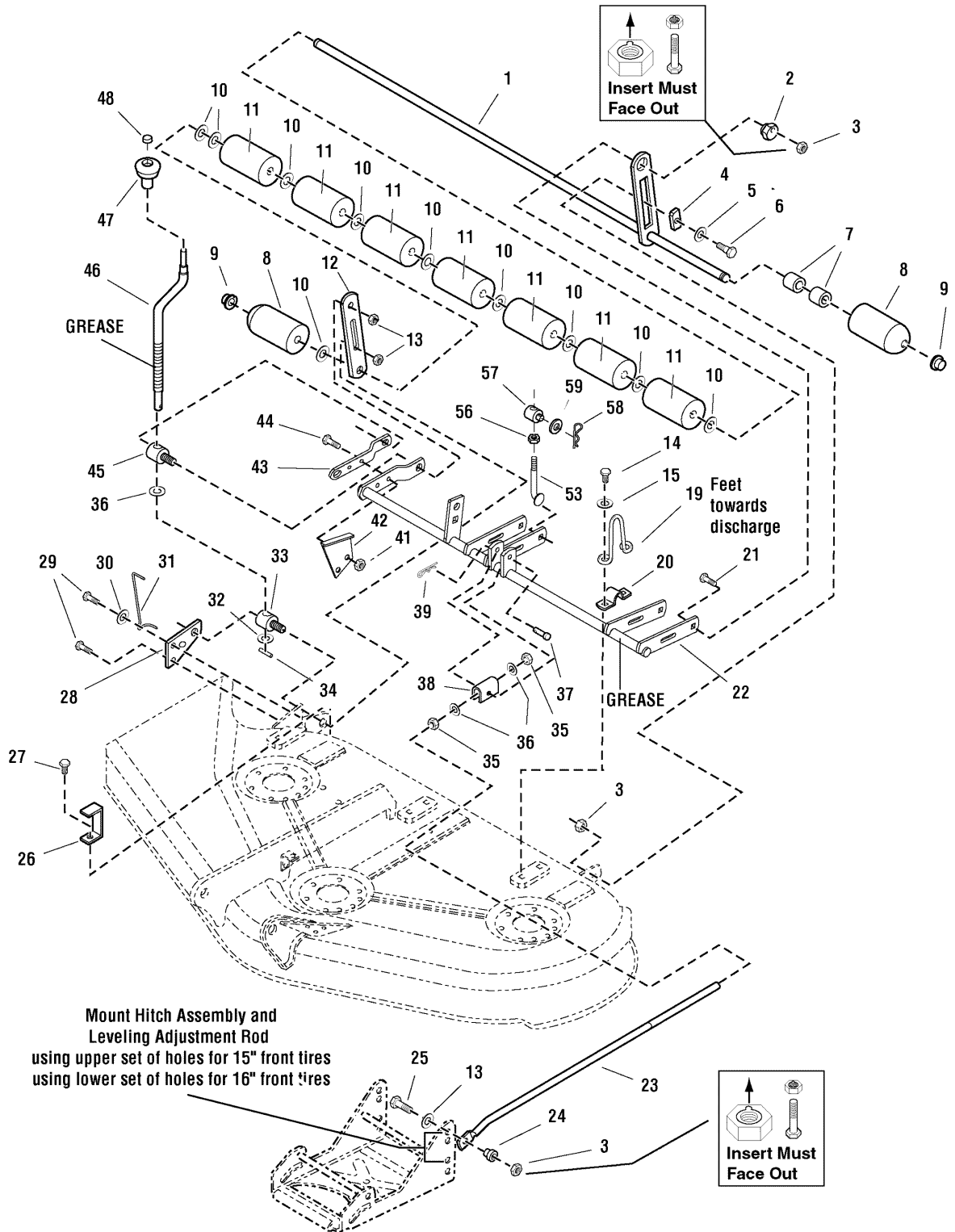
The above parts group applies to the following Mfg. Nos.:

1694178 - 44" Mower
 1695038 - 44" Mower
 2690651 - Broadmoor
 2690652 - 2620H

44" Mower Deck - Height Adjustment & Roller Bar

985973

NOTE: Unless noted otherwise,
use the standard hardware torque
specification chart.



The above parts group applies to the following Mfg. Nos.:

- 1694178 - 44" Mower
- 1695038 - 44" Mower
- 2690651 - Broadmoor
- 2690652 - 2620H

44" Mower Deck - Height Adjustment & Roller Bar

REF NO	PART NO.	QTY.	DESCRIPTION
46	1719901SM	1	CRANK, Height of Cut
47	1714084SM	1	KNOB, Height Crank
48	1960093SM	1	PAL NUT
53	1724959SM	1	ROD, Height Adjuster
56	1920161SM	1	NUT, Hex Jam
57	1731382SM	1	ROD, TRUNNION
58	1960074SM	1	CLIP, Hairpin
59	1924940SM	1	WASHER, 3/8

Footnotes

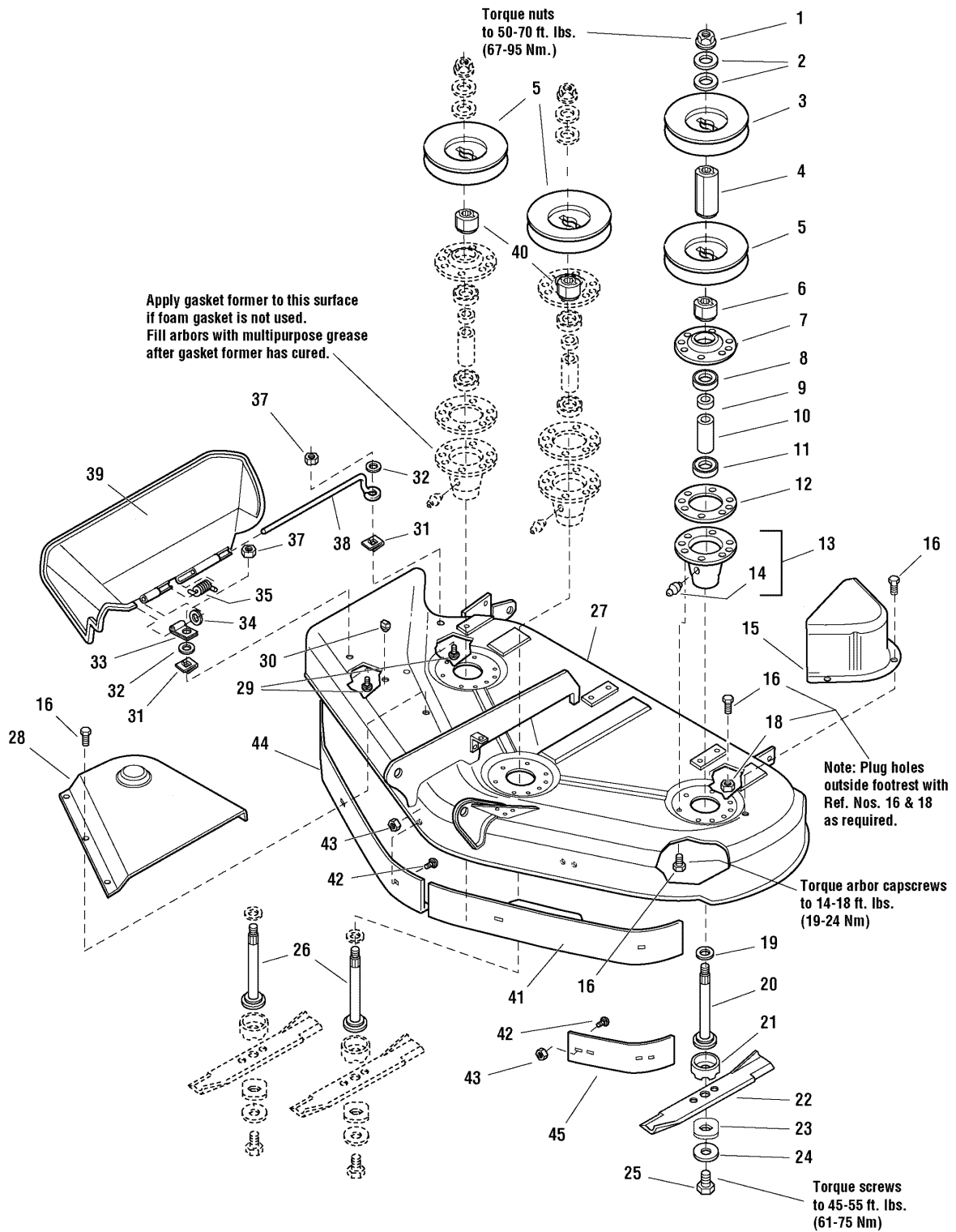
The above parts group applies to the following Mfg. Nos.:

1694178 - 44" Mower
1695038 - 44" Mower
2690651 - Broadmoor
2690652 - 2620H

44" Mower Deck - Housing, Arbors & Blades

985971

NOTE: Unless noted otherwise, use the standard hardware torque specification chart.



The above parts group applies to the following Mfg. Nos.:

- 1694178 - 44" Mower
- 1695038 - 44" Mower
- 2690651 - Broadmoor
- 2690652 - 2620H

44" Mower Deck - Housing, Arbors & Blades

REF NO	PART NO.	QTY.	DESCRIPTION
1	1714419SM	3	NUT, Hex Flange, 9/16-18
2	1713675SM	6	WASHER, Bellevilled, 9/16
3	1713161SM	1	PULLEY, 4-1/2 O.D.
3	1713091SM	1	PULLEY, 5 O.D.
4	1713158SM	1	HUB, Double Pulley
5	1713098SM	3	PULLEY
6	1713533SM	1	HUB, Double Pulley
7	1655729ASM	3	COVER, Arbor Housing
8	2108202SM	3	BEARING, Ball, 3/4 x 1-3/4 x 5/8
9	1715724SM	3	SPACER, 21/32 x 3/4 x 5/8
10	1732544SM	3	SPACER, 11/16 x 5/32 x 2-11/16
11	1705897SM	3	BEARING, Ball, 11/16 x 1-9/16 x 15/32
12	1707335SM	3	GASKET, Foam
13	1713338ASM	3	HOUSING ASSEMBLY, Arbor Bottom, w/Lube Fitting (Includes Ref. No. 14)
14	1704314SM	3	FITTING, Grease
15	1720560ASM	1	COVER, Arbor
15	1732200ASM	1	COVER, Arbor without Ribs
16	1664847SM	29	CAPSCREW, Hex Head Taptite, 5/16-18 x 3/4
18	1931277SM	1	NUT, Hex Flange, 5/16,
19	1713619SM	3	WASHER, Bellevilled, 9/16, Black
20	1713612SM	1	SHAFT, Arbor (LH)
21	1713196SM	3	SHIELD, Grass, Lower
22	1704100ASM	3	BLADE, Mower, 16-1/8 (For 44" Deck)
23	1713089SM	3	WASHER, Hex, 11/16 x 2
24	1656916SM	3	WASHER, Spring 15/32, Black
25	2823471SM	3	CAPSCREW, Hex Head, 7/16-14 x 1
26	1713195SM	2	SHAFT, Arbor (Center & RH)
27	1685411SM	1	MOWER HOUSING ASSEMBLY, 44" Mower (Orange)
27	1687154SM	1	MOWER HOUSING ASSEMBLY, 44" Mower (Red)
28	1715673SM	1	COVER, Arbor
29	1931318SM	2	CARRIAGE BOLT, 1/4-20 x 7/8
30	1705115SM	1	PLUG, Hole
31	1960518SM	2	NUT, Push
32	1960353SM	2	WASHER, 1/4, Black
33	1704873SM	1	CLAMP
34	1919326SM	1	WASHER, 5/16, Black
35	7101082SM	1	SPRING
37	1920397SM	2	NUT, ESNA 1/4-20
38	1706709SM	1	ROD, Deflector, Front
39	1705449SM	1	DEFLECTOR, Plastic
40	1713197SM	2	HUB, Pulley, Center & RH
41	1716879ASM	1	BAFFLE, Anti-Blowout, LH (CE/Export)
42	1931333SM	2/8/1	CARRIAGE BOLT, 5/16-18 x 3/4, Black (CE/Export)
43	1927557SM	2/8/1	NUT, Hex Flange Whiz Lock, 5/16-18, Black (CE/Export)

Footnotes

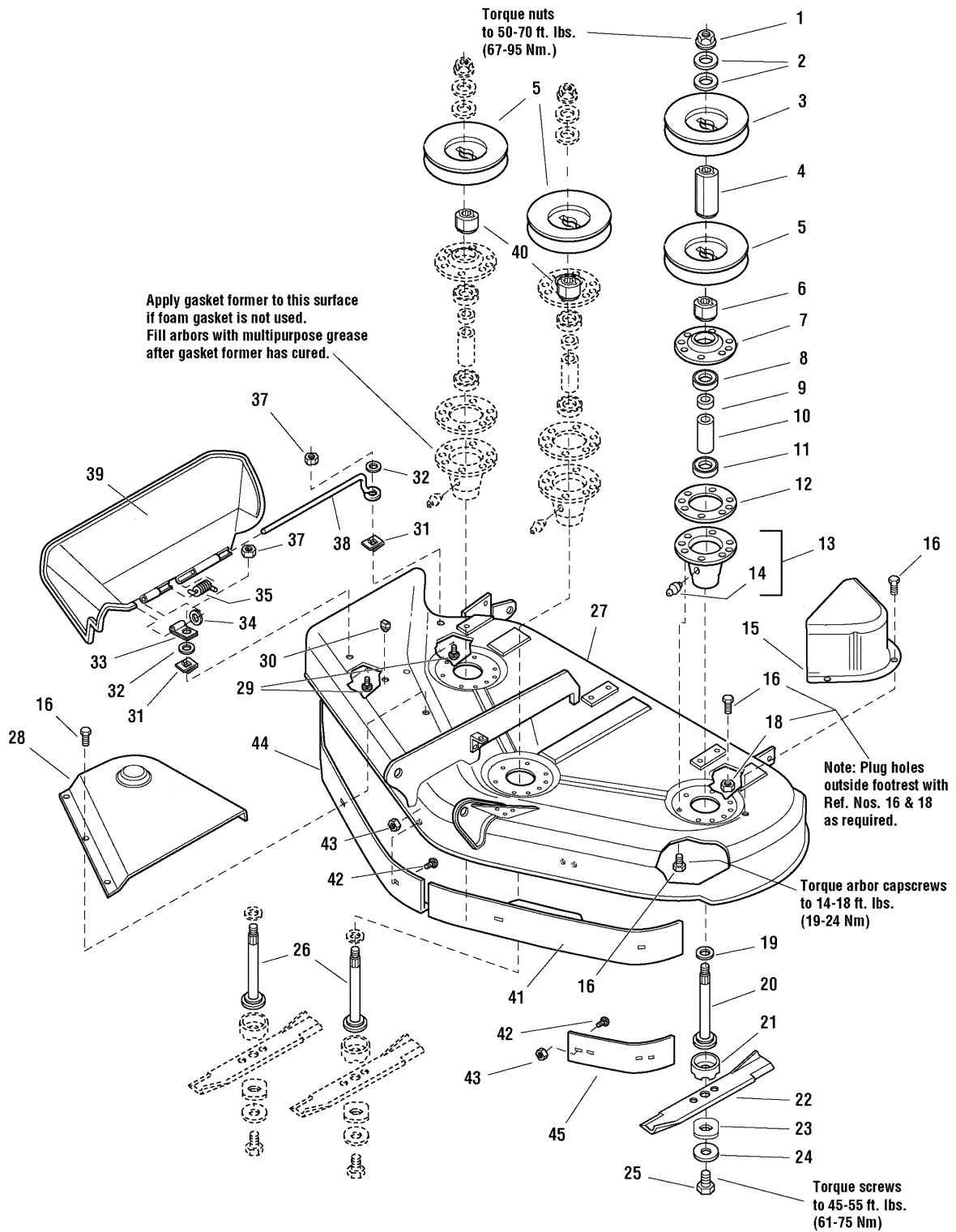
The above parts group applies to the following Mfg. Nos.:

1694178 - 44" Mower
 1695038 - 44" Mower
 2690651 - Broadmoor
 2690652 - 2620H

44" Mower Deck - Housing, Arbors & Blades

985971

NOTE: Unless noted otherwise, use the standard hardware torque specification chart.



The above parts group applies to the following Mfg. Nos.:

- 1694178 - 44" Mower
- 1695038 - 44" Mower
- 2690651 - Broadmoor
- 2690652 - 2620H

44" Mower Deck - Housing, Arbors & Blades

REF NO	PART NO.	QTY.	DESCRIPTION
44	1716878ASM	1	BAFFLE, Anti-Blowout, RH (CE/Export)
45	1724538ASM	1	BAFFLE, Blowout, 44" & 50"

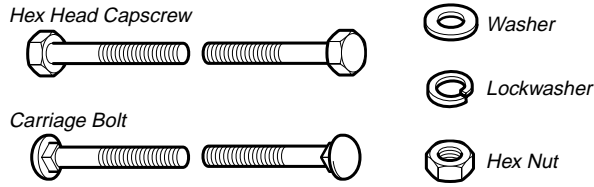
Footnotes

The above parts group applies to the following Mfg. Nos.:

1694178 - 44" Mower
1695038 - 44" Mower
2690651 - Broadmoor
2690652 - 2620H

Hardware Identification & Torque Specifications

Common Hardware Types

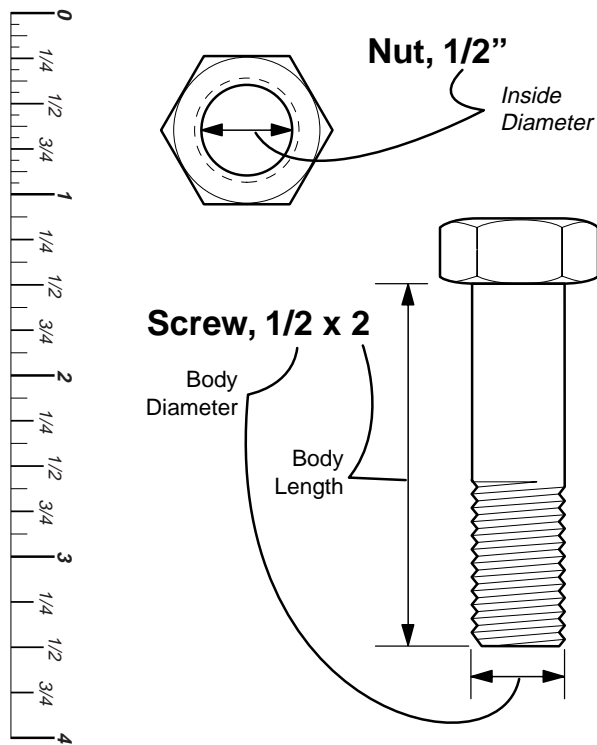


Standard Hardware Sizing

When a washer or nut is identified as 1/2", this is the *Nominal size*, meaning the *inside diameter* is 1/2 inch; if a second number is present it represents the *threads per inch*

When bolt or capscrew is identified as 1/2 - 16 x 2", this means the *Nominal size*, or *body diameter* is 1/2 inch; the second number represents the *threads per inch* (16 in this example, and the final number is the *body length* of the bolt or screw (in this example 2 inches long).

The guides and ruler furnished below are designed to help you select the appropriate hardware and tools.



Torque Specification Chart

FOR STANDARD MACHINE HARDWARE (Tolerance ± 20%)

Hardware Grade	No Marks SAE Grade 2		SAE Grade 5		SAE Grade 8	
	in/lbs ft/lbs	Nm.	in/lbs ft/lbs	Nm.	in/lbs ft/lbs	Nm.
8-32	19	2.1	30	3.4	41	4.6
8-36	20	2.3	31	3.5	43	4.9
10-24	27	3.1	43	4.9	60	6.8
10-32	31	3.5	49	5.5	68	7.7
1/4-20	66	7.6	8	10.9	12	16.3
1/4-28	76	8.6	10	13.6	14	19.0
5/16-18	11	15.0	17	23.1	25	34.0
5/16-24	12	16.3	19	25.8	27	34.0
3/8-16	20	27.2	30	40.8	45	61.2
3/8-24	23	31.3	35	47.6	50	68.0
7/16-14	30	40.8	50	68.0	70	95.2
7/16-20	35	47.6	55	74.8	80	108.8
1/2-13	50	68.0	75	102.0	110	149.6
1/2-20	55	74.8	90	122.4	120	163.2
9/16-12	65	88.4	110	149.6	150	204.0
9/16-18	75	102.0	120	163.2	170	231.2
5/8-11	90	122.4	150	204.0	220	299.2
5/8-18	100	136	180	244.8	240	326.4
3/4-10	160	217.6	260	353.6	386	525.0
3/4-16	180	244.8	300	408.0	420	571.2
7/8-9	140	190.4	400	544.0	600	816.0
7/8-14	155	210.8	440	598.4	660	897.6
1-8	220	299.2	580	788.8	900	1,244.0
1-12	240	326.4	640	870.4	1,000	1,360.0

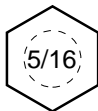
NOTES

- These torque values are to be used for all hardware excluding: locknuts, self-tapping screws, thread forming screws, sheet metal screws and socket head setscrews.
- Recommended seating torque values for locknuts:
 - for prevailing torque locknuts - use 65% of grade 5 torques.
 - for flange whizlock nuts and screws - use 135% of grade 5 torques.
- Unless otherwise noted on assembly drawings, all torque values must meet this specification.

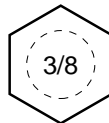
Wrench & Fastener Size Guide



1/4" Bolt or Nut
Wrench—7/16"



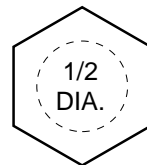
5/16" Bolt or Nut
Wrench—1/2"



3/8" Bolt or Nut
Wrench—9/16"



7/16" Bolt or Nut
Wrench (Bolt)—5/8"
Wrench (Nut)—11/16"



1/2" Bolt or Nut
Wrench—3/4"

Simplicity

MANUFACTURING, INC.
500 N. Spring Street / PO Box 997
Port Washington, WI 53074-0997 USA

www.simplicitymfg.com

Briggs and Stratton Yard Power Products Group
Copyright © 2008 by Briggs and Stratton Corporation
Milwaukee, WI, USA. All rights reserved

