



Parts Manual



Coronet / 2400

Series Riders & Mower Decks RMO

13HP Product

Mfg. No. Description

1694610	Coronet, 13HP Hydro RMO
1694612	Coronet, 13HP Hydro RMO (CE)
1694613	2413H, 13HP Hydro RMO
1694614	2413H, 13HP Hydro RMO (CE)
2690244	Coronet, 13HP Hydro RMO and 30" Mower Deck
2690246	Coronet, 13HP Hydro RMO and 30" Mower Deck (CE)
2690247	2413H, 13HP Hydro RMO and 30" Mower Deck
2690248	2413H, 13HP Hydro RMO and 30" Mower Deck (CE)

16HP Product

Mfg. No. Description

1694611	Coronet, 16HP Hydro RMO
2690245	Coronet, 16HP Hydro RMO and 34" Mower Deck

Mower Decks

Mfg. No. Description

1692543	30" Mower Deck
1694053	30" Mower Deck
1694511	30" Mower Deck (CE)
1694537	30" Mower Deck
1692545	34" Mower Deck

Part No.: 1731175

Rev. 11/2005

TP 400-4207-00-CO-SM

PRODUCT COMPONENTS	PAGES
Frame & Fuel System Group	4
Steering & Lift Group	8
Engine & Electric Clutch Group - 13HP Briggs & Stratton Models	10
Engine & Electric Clutch Group - 16HP Kohler Models	12
Transmission Group - Hydro-Gear 340-0510	14
Transmission SERVICE PARTS - Hydro-Gear 340-0510	18
Electrical Group	24
Electrical Group	26
Front Column & Dash Group	28
Wheels & Tires Group	32
Decals Group - Brand & Model	34
Decals Group - Common & Safety	36
30" Mower Deck - Drive & Arbor	38
30" Mower Deck - Housing & Height Adjustment (CE)	40
30" Mower Deck - Housing, Hitch & Height Adjustment	44
34" Mower Deck - Drive & Arbor	48
34" Mower Deck - Height Adjustment	50
34" Mower Deck - Housing, Hitch & Deflector	52
Torque Specification Chart	Inside Back Cover

Frame & Fuel System Group

REF NO	PART NO.	QTY.	DESCRIPTION
1	1921333	2	CAPSCREW, Hex Head, 5/16-18 x 1
2	1925003	8	CAPSCREW, Hex Head, Taptite, 1/4-20 x 1/2
3	1715962A	1	SHROUD, Rear
4	1931277	5	NUT, Hex, Flange, Whizlock, 5/16-18
5	1726558A	1	SUPPORT, Fuel Tank
6	1931333	1	CARRIAGE BOLT, 5/16-18 x 3/4
7	1708362A	1	STRAP, Fuel Tank, Brace
8	1714020	1	CAP, Fuel Tank, Vented
9	1726635	1	TANK, Fuel
10	1710437	1	SPACER, 21/64 x 1/2 x 21/64
11	1924940	1	WASHER, Plain, 13/32 x 7/8 x 5/64
12	1931202	1	CAPSCREW, Taptite, 5/16-18 x 1-1/ (16HP Models)
12	1960373	1	CAPSCREW, Hex, Taptite, 5/16-18 x 1 (13 HP Models)
13	1726400	1	BUSHING, Rubber
14	1674792	1	ELBOW
15	1960112	2	CLAMP, Hose
16	1666272	1	HOSE, Fuel Line
17	1960044	2	WASHER, Plain
18	1933988	2	PUSH NUT, 5/16
19	1930591	10	CAPSCREW, Hex Head, Whizlock, 5/16-18 x 3/4
20	1708525	1	PAD, Foot Rest, LH
21	1727222	1	FRAME ASSEMBLY
22	1708524	1	PAD, Foot Rest, RH
23	1704351	14	FASTENER
24	1727685A	1	PANEL, Front
25	1935255	4	PAL NUT, 5/16-18
26	1726566A	1	SUPPORT, "U", Seat (16 HP Models)
26	1726563A	1	SUPPORT, "U", Seat (13 HP Models)
27	1715970	2	BUMPER, Rubber
28	1924856	1	CAPSCREW, Hex Head, Taptite, 5/16 x 1/2
29	1708725A	1	DUCT, Air Inlet (13 HP Models)
29	1726971A	1	DUCT, Air Inlet (16 HP Models)
30	1704626	2	SPACER, Plastic
31	1705249	2	SPACER
32	1704628	2	PIN, Quick
33	1705248	2	PIVOT, Hood
35	1919381	4	WASHER
36	1921221	1	CAPSCREW, Hex Head, 5/16-18 x 1-1/2
37	1917372	1	NUT, Hex, 5/16-18
38	1921977	1	CAPSCREW, 5/16-18 x 1-1/4
39	1703900	1	SPACER
40	2860208	2	WASHER, 1"
41	1708881	1	CAP, Black, Vinyl

Footnotes

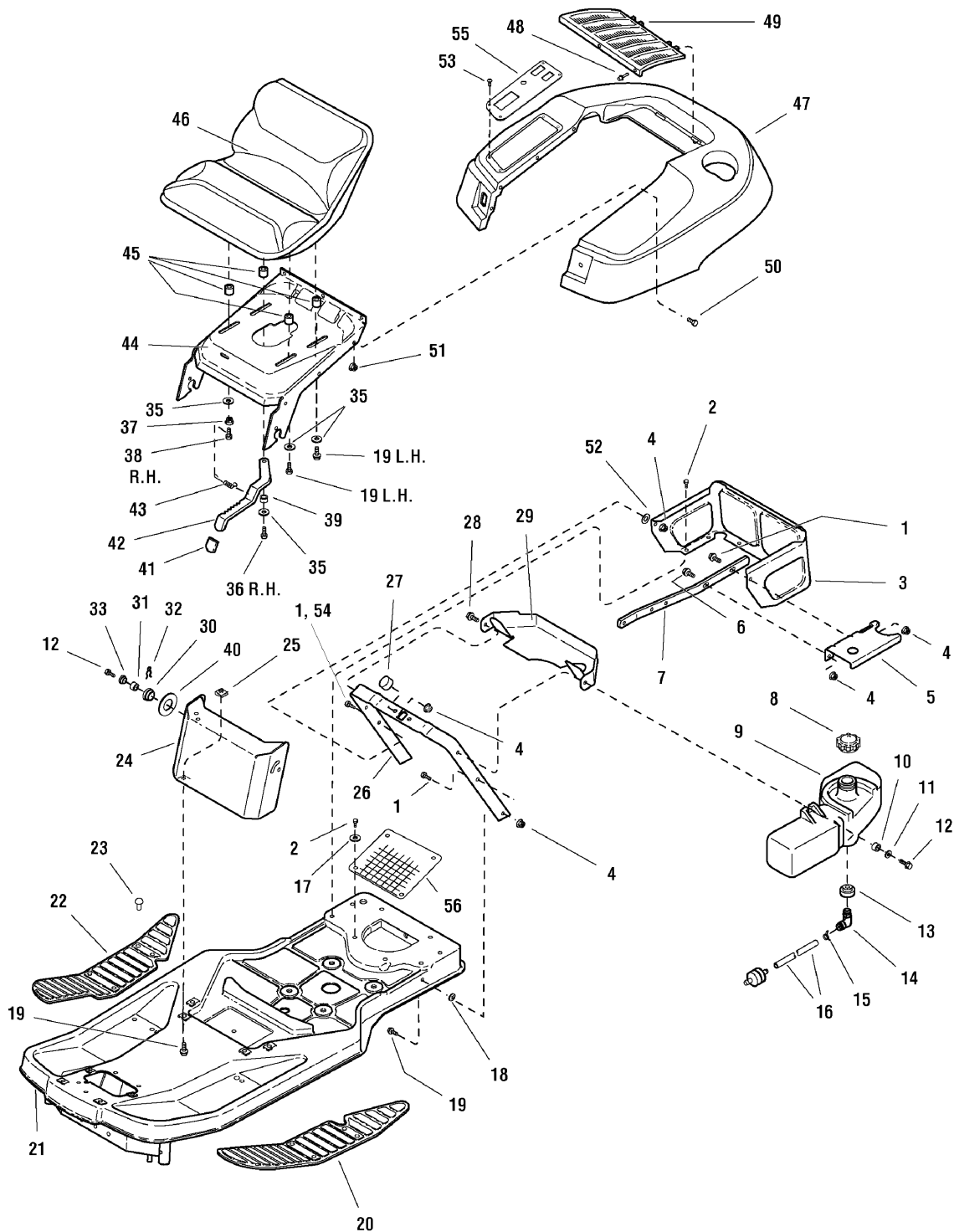
The above parts group applies to the following Mfg. Nos.:

1694610 - Coronet
 1694611 - Coronet
 1694612 - Coronet
 1694613 - 2413H
 1694614 - 2413H

Frame & Fuel System Group

986408

NOTE: Unless noted otherwise,
use the standard hardware torque
specification chart.



The above parts group applies to the following Mfg. Nos.:

- 1694610 - Coronet
- 1694611 - Coronet
- 1694612 - Coronet
- 1694613 - 2413H
- 1694614 - 2413H

Frame & Fuel System Group

REF NO	PART NO.	QTY.	DESCRIPTION
42	1725532A	1	ADJUSTER, Seat
43	1667286	1	SPRING, Extension
44	1725531A	1	SUPPORT, Seat
45	1708511	4	SPACER
46	1725486	1	SEAT ASSEMBLY
47	1726648	1	DECK, Seat, Orange Simplicity
47	1726649	1	DECK, Seat, Red
47	1714027	1	DECK, Seat, Orange Agco Allis
48	1673320	3	RIVET
49	1708504	1	SCREEN, Seat Deck Top
50	1960295	7	CAPSCREW, Hex Head, Whizlock, 1/4-20 x 5/8
51	1930642	7	NUT, Hex, Flange Lock, 1/4-20
52	1919381	1	WASHER, 5/16
53	1960715	4	SCREW, Truss Head, 1/4-20 x 3/4
54	1922127	1	CAPSCREW, Hex Head, 5/16-18 x 1-3/4 (16 HP Models)
55	1726836A	1	PLATE, Control
56	1724598	1	SCREEN

Footnotes

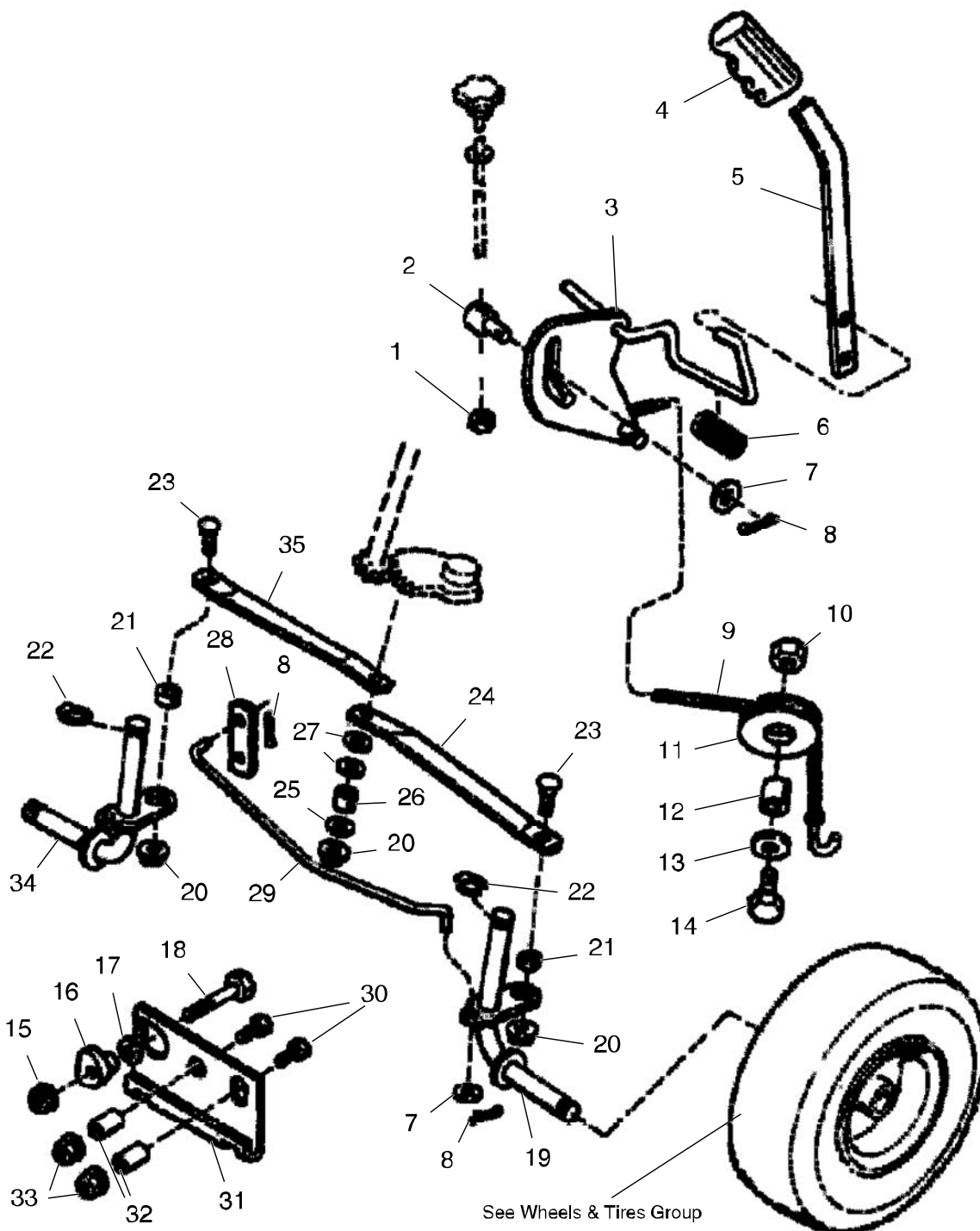
The above parts group applies to the following Mfg. Nos.:

1694610 - Coronet
1694611 - Coronet
1694612 - Coronet
1694613 - 2413H
1694614 - 2413H

Steering & Lift Group

984685SL

NOTE: Unless noted otherwise,
use the standard hardware torque
specification chart.



The above parts group applies to the following Mfg. Nos.:

- 1694610 - Coronet
- 1694611 - Coronet
- 1694612 - Coronet
- 1694613 - 2413H
- 1694614 - 2413H

Steering & Lift Group

REF NO	PART NO.	QTY.	DESCRIPTION
1	1930651	1	NUT, Hex, 3/8-16
2	2108512	1	PIVOT
3	1708955A	1	ARM ASSEMBLY, Lift
4	1708966	1	GRIP, Lever
5	1708557A	1	LEVER, Lift
6	1708884	1	SPRING, Compression
7	1924940	3	WASHER, Plain, 13/32 x 7/8 x 5/64
8	1918447	3	COTTER PIN, 3/32 x 3/4
9	1708556	1	CABLE ASSEMBLY, Lift
10	1919439	1	NUT, Hex, Esna Lock, 3/8-16
11	1708559	1	PULLEY, Lift
12	1708973	1	SPACER
13	1924356	1	WASHER, Plain, 13/32 x 1-1/2 x 1/8
14	1921969	1	CAPSCREW, Hex Head, 3/8-16 x 1-1/2
15	1930645	1	NUT, Hex, Flange Lock, 3/8-16
16	1708514	1	ECCENTRIC
17	1922755	1	WASHER, 13/32 x 7/8 x 1/8
18	1921971	1	CAPSCREW, Hex Head, 3/8-16 x 1-3/4
19	1706011	1	SPINDLE ASSEMBLY, LH
20	1935048	3	NUT, Hex, Flange Lock, 5/16-18
21	1960236	2	SPACER
22	1704420	2	KLIP RING
23	1931335	2	CARRIAGE BOLT, 5/16-18 x 1
24	1708501A	1	TIE ROD, LH
25	1919381	1	WASHER
26	1710703	1	SPACER, 21/64 x 1/2 x 5/8
27	1960170	2	WASHER
28	1708516A	1	LEVER
29	1708521	1	ROD, Hitch
30	1920328	2	CAPSCREW, Hex Head, 1/2-13 x 1-1/2
31	1709237A	1	HITCH, Hook
32	1709235	2	SPACER
33	1930644	2	NUT, Hex, Flange Lock, 1/2-13
34	1706019	1	SPINDLE ASSEMBLY, RH
35	1708500A	1	TIE ROD, RH

Footnotes

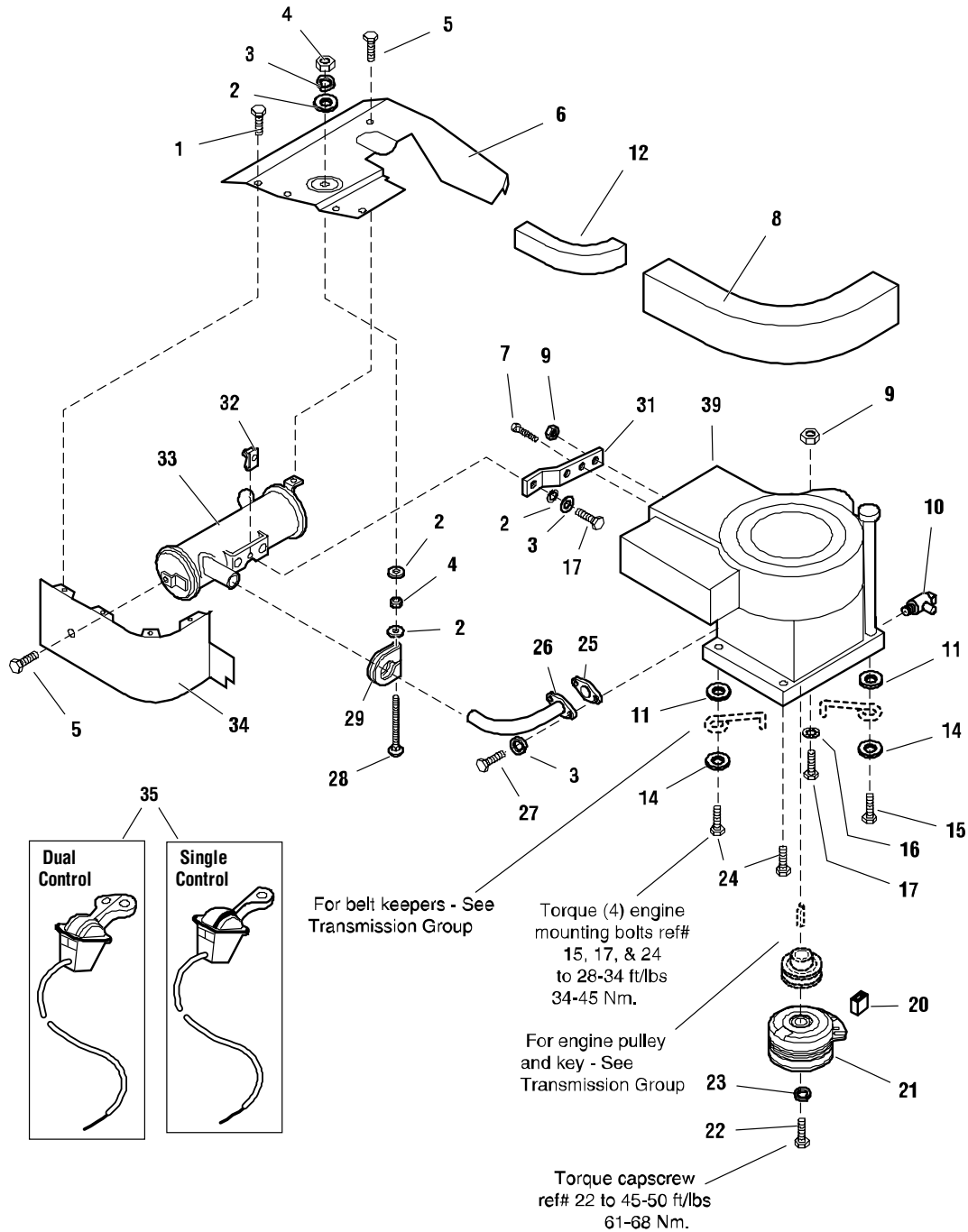
The above parts group applies to the following Mfg. Nos.:

1694610 - Coronet
1694611 - Coronet
1694612 - Coronet
1694613 - 2413H
1694614 - 2413H

Engine & Electric Clutch Group - 13HP Briggs & Stratton Models

986646

NOTE: Unless noted otherwise,
use the standard hardware torque
specification chart.



The above parts group applies to the following Mfg. Nos.:

- 1694610 - Coronet
- 1694612 - Coronet
- 1694613 - 2413H
- 1694614 - 2413H

Engine & Electric Clutch Group - 13HP Briggs & Stratton Models

REF NO	PART NO.	QTY.	DESCRIPTION
1	1960720	5	SCREW, Thread Forming, #10-16 x 1/2
2	1919326	4	WASHER, .34
3	1917356	4	LOCKWASHER, 5/16
4	1917372	2	NUT, Hex, 5/16-18
5	1924856	2	CAPSCREW, Hex Head, Taptite, 5/16-18 x 1/2
6	1708420	1	DUCT, R.H., Top
7	1960568	2	SCREW, Taptite, 1/4-20 x .88
8	1709055	1	SEAL, Air Inlet
9	1931277	1	NUT, Flange, Whizlock, 5/16-18
10	1708405	1	VALVE, Shut-Off
11	1933263	2	WASHER, Plain
12	1718648	1	EDGING, Seal
14	1922755	2	WASHER, 3/8
15	2860361	1	CAPSCREW, Taptite, 3/8-16 x 2
16	1933988	1	PUSH NUT, 5/16-18
17	1933689	1	CAPSCREW, Hex, Whizlock, Flange, 5/16-18 x 1-1/2
20	1708537	1	SLEEVE, Clutch Anchor
21	1708536	1	CLUTCH, Electric, Kit
22	1960370	1	CAPSCREW, Hex Head, 7/16-20 x 2-1/2
23	1918199	1	LOCKWASHER, 7/16
24	1930598	2	CAPSCREW, Taptite, 3/8-16 x 1-1/2
25	1650670	1	GASKET, Muffler
26	1708421	1	PIPE, Exhaust
27	1936228	2	CAPSCREW, Socket Head, 5/16-18 x 3/4
28	1960483	1	CARRIAGE BOLT, 5/16-18 x 3-1/4
29	1676183A	1	CLAMP, Muffler
31	1724428A	1	SUPPORT, Muffler
32	1935255	1	SPEED NUT, 5/16-18
33	1708416	1	MUFFLER ASSEMBLY
34	1724427A	1	DUCT, Bottom
35	1727223	1	THROTTLE CONTROL, Duel (Export Only)
35	1722955	1	THROTTLE CONTROL, Single
39	*	1	ENGINE, Briggs & Stratton, 13HP, Model 21A907, Type 0131-E1

Footnotes

Note* See your local Briggs & Stratton distributor for parts & service.

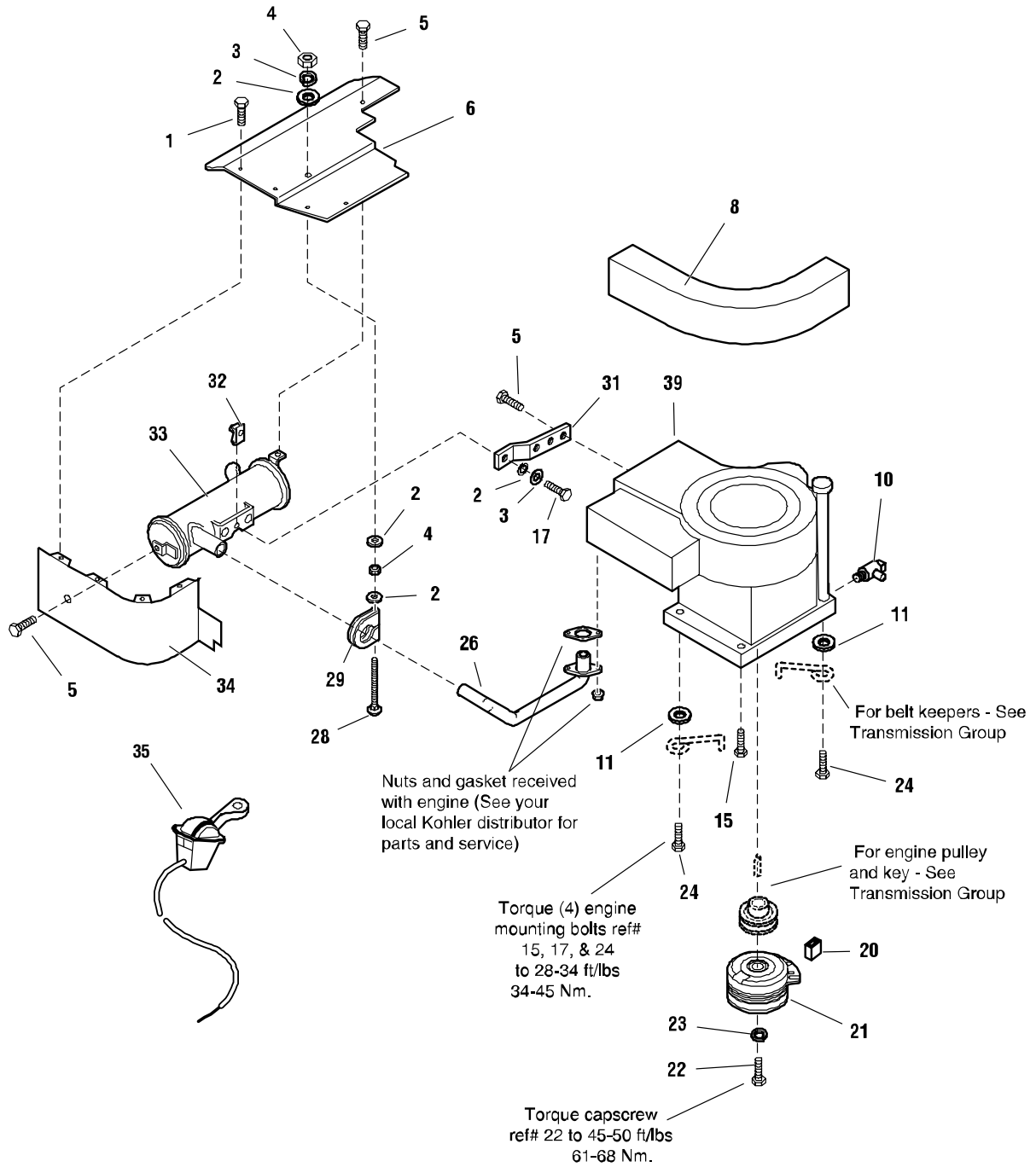
The above parts group applies to the following Mfg. Nos.:

1694610 - Coronet
1694612 - Coronet
1694613 - 2413H
1694614 - 2413H

Engine & Electric Clutch Group - 16HP Kohler Models

986648

NOTE: Unless noted otherwise,
use the standard hardware torque
specification chart.



The above parts group applies to the following Mfg. Nos.:
1694611 - Coronet

Engine & Electric Clutch Group - 16HP Kohler Models

REF NO	PART NO.	QTY.	DESCRIPTION
1	1960720	5	SCREW, Thread Forming, #10-16 x 1/2
2	1919326	4	WASHER, .34
3	1917356	2	LOCKWASHER, 5/16
4	1917372	2	NUT, Hex, 5/16-18
5	1924856	3	CAPSCREW, Hex Head, Taptite, 5/16-18 x 1/2
6	1726418A	1	DUCT, R.H., Top
8	1709055	1	SEAL, Air Inlet
10	1708405	1	VALVE, Shut-Off
11	1933263	2	WASHER, Plain
15	1927187	2	CAPSCREW, Taptite, 3/8-16 x 1
17	1933689	1	CAPSCREW, Hex, Whizlock, Flange, 5/16-18 x 1-1/2
20	1708537	1	SLEEVE, Clutch Anchor
21	1708536	1	CLUTCH, Electric, Kit
22	1960370	1	CAPSCREW, Hex Head, 7/16-20 x 2-1/2
23	1918199	1	LOCKWASHER, 7/16
24	1928635	2	CAPSCREW, Taptite, 3/8-16 x 1-1/4
26	1713502	1	PIPE, Exhaust
28	1960483	1	CARRIAGE BOLT, 5/16-18 x 3-1/4
29	1676183A	1	CLAMP, Muffler
31	1713557A	1	SUPPORT, Muffler
32	1935255	1	SPEED NUT, 5/16-18
33	1708416	1	MUFFLER ASSEMBLY
34	1722621A	1	DUCT, Bottom
35	1722955	1	THROTTLE CONTROL, Single
39	*	1	ENGINE, Kohler, 16HP, Model CV460S, Type PA-26522

Footnotes

Note* See your local Briggs & Stratton distributor for parts & service.

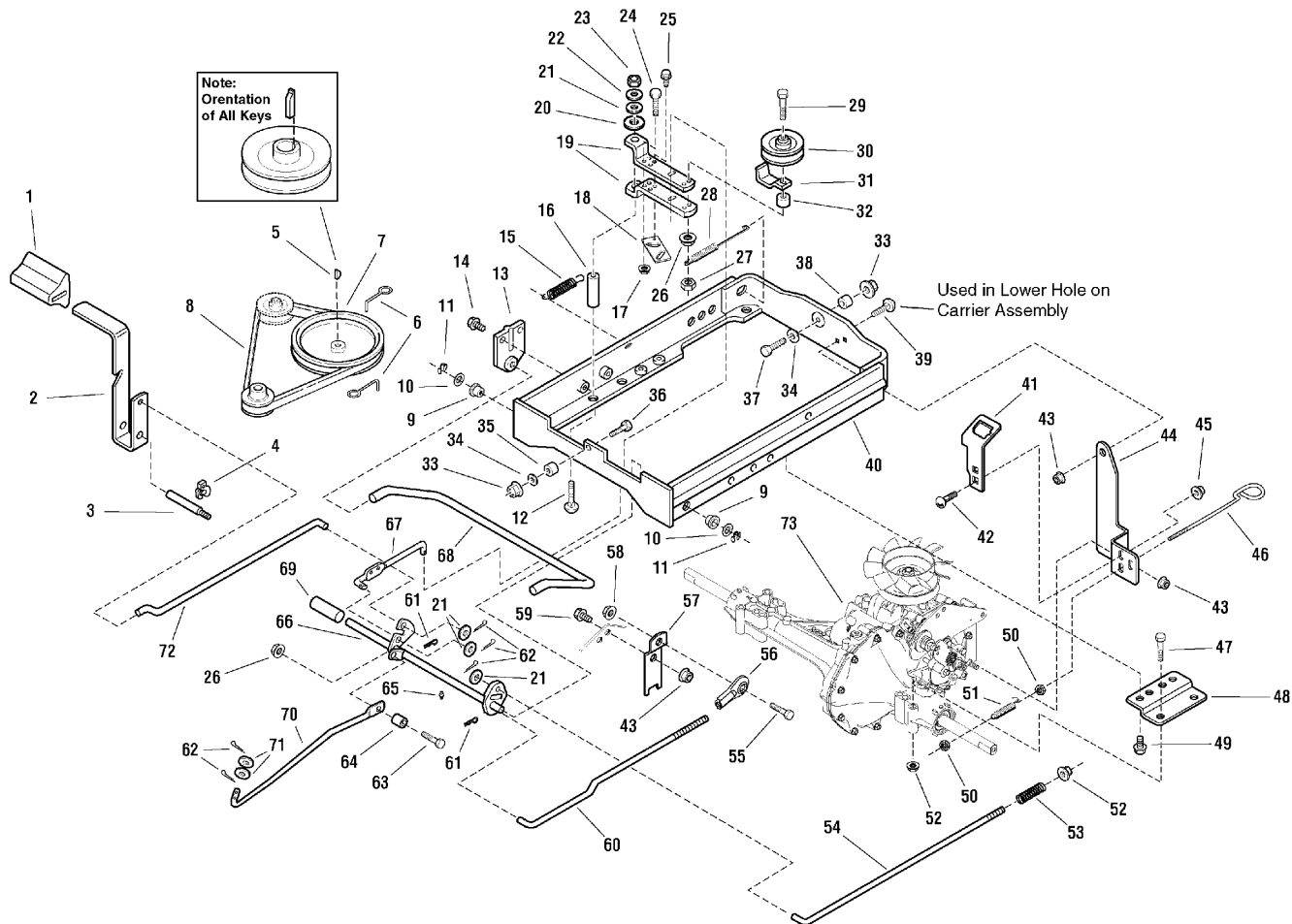
The above parts group applies to the following Mfg. Nos.:

1694611 - Coronet

Transmission Group - Hydro-Gear 340-0510

986402

NOTE: Unless noted otherwise,
use the standard hardware torque
specification chart.



The above parts group applies to the following Mfg. Nos.:

- 1694610 - Coronet
- 1694611 - Coronet
- 1694612 - Coronet
- 1694613 - 2413H
- 1694614 - 2413H

Transmission Group - Hydro-Gear 340-0510

REF NO	PART NO.	QTY.	DESCRIPTION
1	1704849	1	PAD, Brake
2	1723348A	1	LEVER, Clutch
3	1708409	1	PIVOT, Brake
4	1708554	1	RING, Klipping Extension
5	171241	1	KEY, Hi-Pro
6	1704419	2	STOP, Belt
7	1723497	1	PULLEY & HUB ASSEMBLY, Engine
8	1707346	1	V - BELT
9	1715025	2	BUSHING
10	1924361	2	WASHER, 1/2
11	1703805	2	RING, Klipping Extension
12	1931342	1	CARRIAGE BOLT, 5/16 - 18 x 2-1/4 G5
13	1708367	2	BRACKET, Torsion Bar
14	1924856	4	SCREW, Hex, Washer Head, Taptite, 5/16 - 18 x 1/2
15	159106	1	SPRING, Extension
16	1709345	1	SPACER
17	1930641	1	NUT, Hex, Flange, 1/4 - 20, Whiz Lock LG
18	1725839A	1	PLATE, Idler 10GA
19	1709221	2	CLEVIS HALF
20	1924366	1	WASHER, 5/8
21	1919326	5	WASHER, 5/16
22	1917356	1	LOCKWASHER, Spring 5/16
23	1917372	1	NUT, Hex 5/16 - 18
24	1923341	1	CAPSCREW, Hex Head, 1/4 - 20 x 3/4 G5
25	1927429	1	SCREW, Hex, Washer Head, Taptite, 1/4 - 20 x 5/8
26	1928352	2	NUT, Hex Flange,, 3/8 - 16 Whiz Lock LG
27	1928731	1	NUT, Hex, Toplock, Jam, 3/8 - 16
28	1725250	1	SPRING, Extension
29	1922918	1	CAPSCREW, Hex Head, 3/8 - 16 x 3-1/4 G5
30	1668827	1	PULLEY
31	1708352A	1	GUARD, Spring
32	1725838	1	SPACER
33	1930644	1	NUT, Hex Flange,, 1/2 - 13, Two-Way Lock
34	1924361	1	WASHER, 1/2
35	1719683	1	SPACER
36	1719682	1	CAPSCREW, Hex Head, 1/2 - 20 x 1-3/4 G8
37	1923114	1	CAPSCREW, Hex Head, 1/2 - 13 x 1 G5
38	1719725	1	SPACER
39	1931332	1	CARRIAGE BOLT, 5/16 - 18 x 5/8 G5
40	1726591A	1	CARRIER ASSEMBLY
41	1726554A	1	BRACKET, Switch Mounting (No-Mow Models Only)
42	1960252	2	CARRIAGE BOLT, 1/4 - 20 x 5/8 G5 (No-Mow Models Only)
43	1931277	3	NUT, Hex Flange, 5/16 - 18, Whiz Lock Small
44	1726555A	1	STRAP, Torque (No-Mow Models Only)

Footnotes

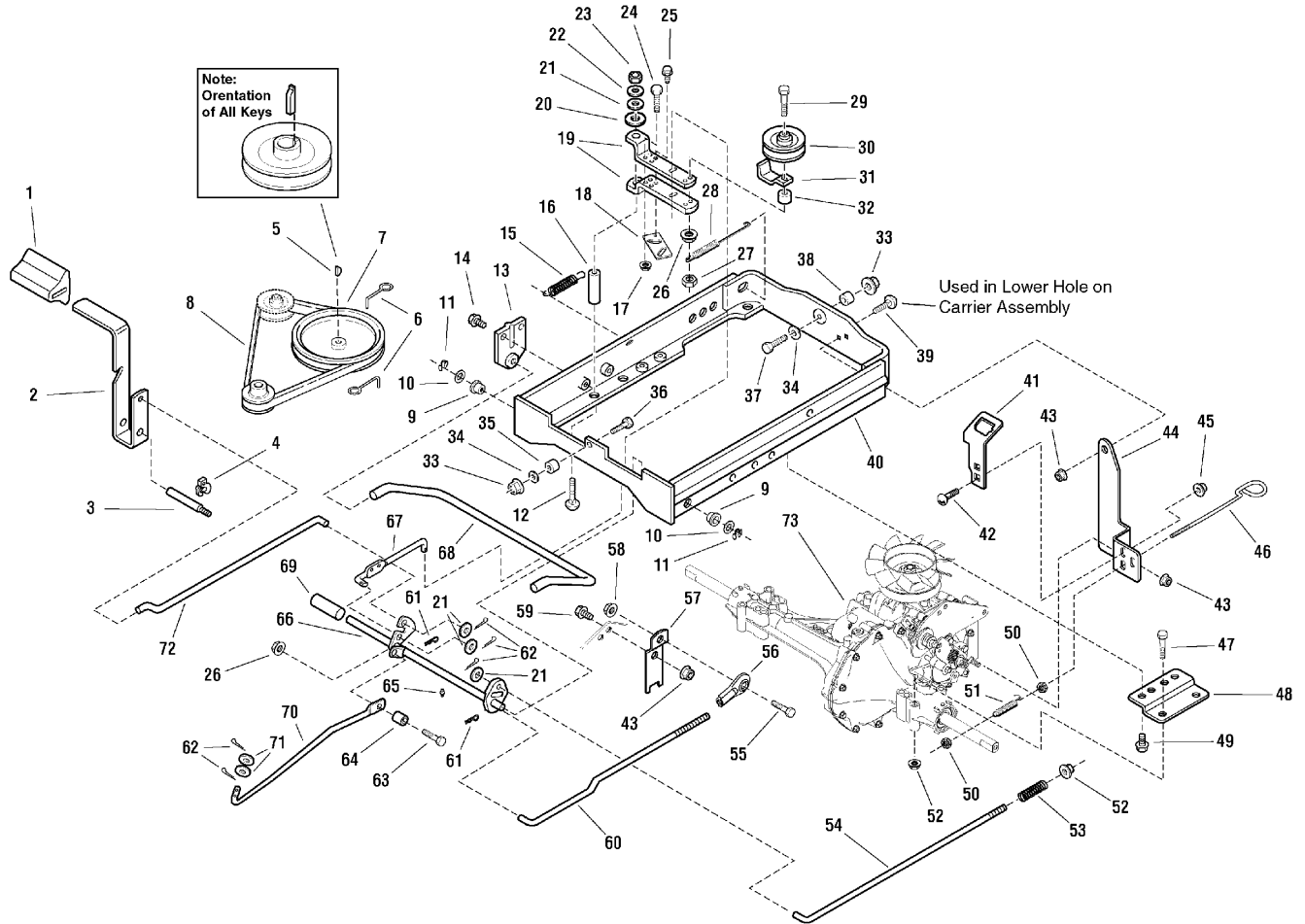
The above parts group applies to the following Mfg. Nos.:

1694610 - Coronet
1694611 - Coronet
1694612 - Coronet
1694613 - 2413H
1694614 - 2413H

Transmission Group - Hydro-Gear 340-0510

986402

NOTE: Unless noted otherwise,
use the standard hardware torque
specification chart.



The above parts group applies to the following Mfg. Nos.:

- 1694610 - Coronet
- 1694611 - Coronet
- 1694612 - Coronet
- 1694613 - 2413H
- 1694614 - 2413H

Transmission Group - Hydro-Gear 340-0510

REF NO	PART NO.	QTY.	DESCRIPTION
44	1725750	1	STRAP, Torque
45	1960694	2	NUT, Hex Flange, 1/4 - 20 ESNA (No-Mow Models Only)
46	1725183	1	ROD
47	1921719	4	CAPSCREW, Hex Head, 5/16 - 18 x 2-1/2 G5
48	1725706A	2	BRACKET, Mounting
49	1664847	4	SCREW, Hex, Washer Head, Taptite, 5/16 - 18 x 3/4
50	1916621	2	NUT, Hex Machine Screw
51	1726327	1	SPRING, Extension
52	1935048	5	NUT, Hex Flange, 5/16 - 18, Two-Way Lock
53	1708360	1	SPRING
54	1725166	1	ROD, Brake
55	1921210	1	CAPSCREW, Hex Head, 3/8 - 16 x 1 G5
56	1726559	1	JOINT, Ball
57	1725736A	1	LEVER, Control
58	1930645	1	NUT, Hex Flange, 3/8 - 16, Two-Way Lock
59	1925205	1	CAPSCREW, Hex Head, 5/16 - 18 x 5/8 G5
60	1725167	1	ROD, Control
61	1722460	2	PIN, Quick
62	1918447	6	PIN, Cotter
63	960709	1	SCREW, Hex, Whiz Lock, Flange, 3/8 - 16 x 1-3/4
64	1666804	1	SPACER
65	921133	1	FITTING, Lube, 1/4 Drive
66	1725768	1	SHAFT & ARMS ASSEMBLY, Pivot
67	1709220	1	CLUTCH, Rear
68	1708366	1	BAR, Torsion
69	1709850	1	TUBE
70	1725767	1	ROD, Shift, Front
71	1924359	2	WASHER, 1/2
72	1706260	1	ROD, Clutch, Front
73	1725620	1	TRANSMISSION ASSEMBLY, Hydro Gear

Footnotes

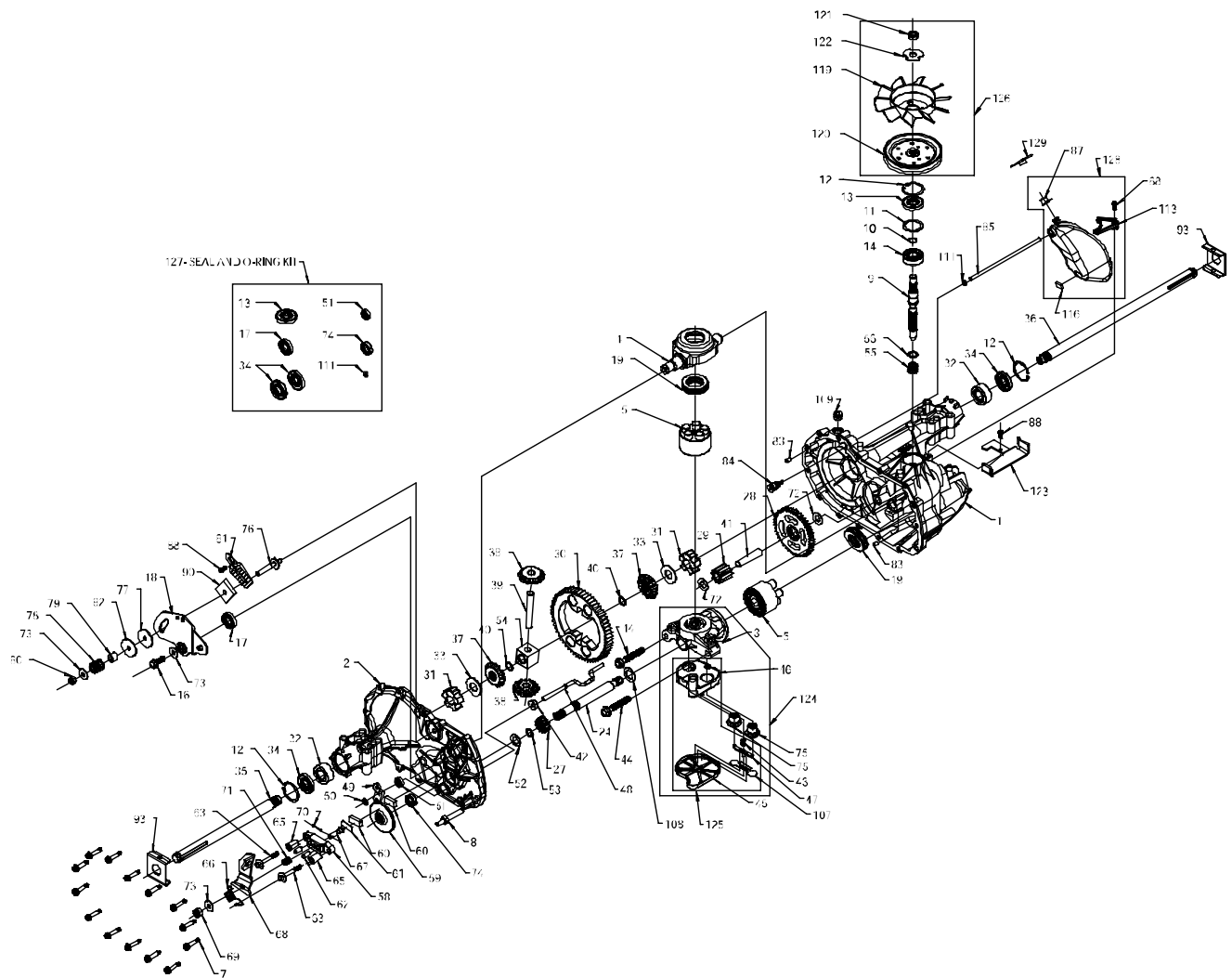
The above parts group applies to the following Mfg. Nos.:

1694610 - Coronet
1694611 - Coronet
1694612 - Coronet
1694613 - 2413H
1694614 - 2413H

Transmission SERVICE PARTS - Hydro-Gear 340-0510

NOTE: Unless noted otherwise,
use the standard hardware torque
specification chart.

1725620



The above parts group applies to the following Mfg. Nos.:

- 1694610 - Coronet
- 1694611 - Coronet
- 1694612 - Coronet
- 1694613 - 2413H
- 1694614 - 2413H

Transmission SERVICE PARTS - Hydro-Gear 340-0510

REF NO	PART NO.	QTY.	DESCRIPTION
1	*	1	MAIN HOUSING, ASSEMBLY
2	*	1	SIDE HOUSING, ASSEMBLY
3	*	1	CENTER SECTION, ASSEMBLY
4	*	1	SWASHPLATE, TRUNNION MACHINED
5	*	2	BLOCK - ASSEMBLY
6	*	10.5	SEALANT (Not Shown)
7	1730269	14	HEX FLANGE SCREW 1/4-20 X 1.25
8	1730270	1	STUD, 5/16-24 HEX DOUBLE END
9	1730271	1	SHAFT, INPUT
10	1715270	1	RING - RETAINING
11	1730272	1	SPACER
12	1730273	1	RING - RETAINING
13	**	1	SEAL, LIP .67 X 1.58 X .276
14	1730274	1	BALL BRG 17MM ID X 40MM OD X 12MM
16	1730275	1	HEX FLANGE HEAD SCREW 5/16-24 X 0.75
17	**	1	LIP SEAL 18 X 32 X 7
18	1730276	1	ARM, CONTROL
19	*	1	BEARING, 30X52X13 THRUST
24	*	1	SHAFT, MOTOR
27	*	1	GEAR - PINNION, 13T
28	*	1	10T/48T GEAR
29	*	1	GEAR, 10T JACKSHAFT
30	*	1	60T BULL GEAR
31	*	2	SLEEVE BEARING .75 X 1.750 X .625
32	1730277	2	SLEEVE BEARING (OUTBOARD) .75 X 1.575 X .625
33	*	2	WASHER, 3/4 ID X 1-1/2 OD X .13 THK
34	**	2	LIP SEAL AXLE SEAL
35	1730278	1	SHAFT, AXLE .75 x 11.39 (KEY, R.H.)
36	1730279	1	SHAFT, AXLE .75 X 16.99 (KEY, L.H.)
37	*	2	MITER GEAR (SPLINED)
38	*	2	MITER GEAR 15T (0.5 ID)
39	*	1	SHAFT
40	*	2	RING, SPIRAL RETAINING
41	*	1	PIN, JACKSHAFT
42	*	1	MAGNET, RING
43	*	1	SPRING, BYPASS
44	*	2	BOLT, HEX FLANGE 3/8-24 X 2.5
45	*	1	BOTTOM, FILTER
46	*	1	BASE, FILTER W/POPPET
47	*	1	ACTUATOR, BYPASS
48	*	1	ROD, BYPASS ACTUATOR
49	1730280	1	ARM, BYPASS
50	1730281	1	RETAINING RING .250 EXTERNAL
51	**	1	SEAL, LIP .741 X .250 x .250 TC

Footnotes

Note* Not serviced separately, order complete transmission.

Note** Not serviced separately, order seal kit reference # 126, 127.

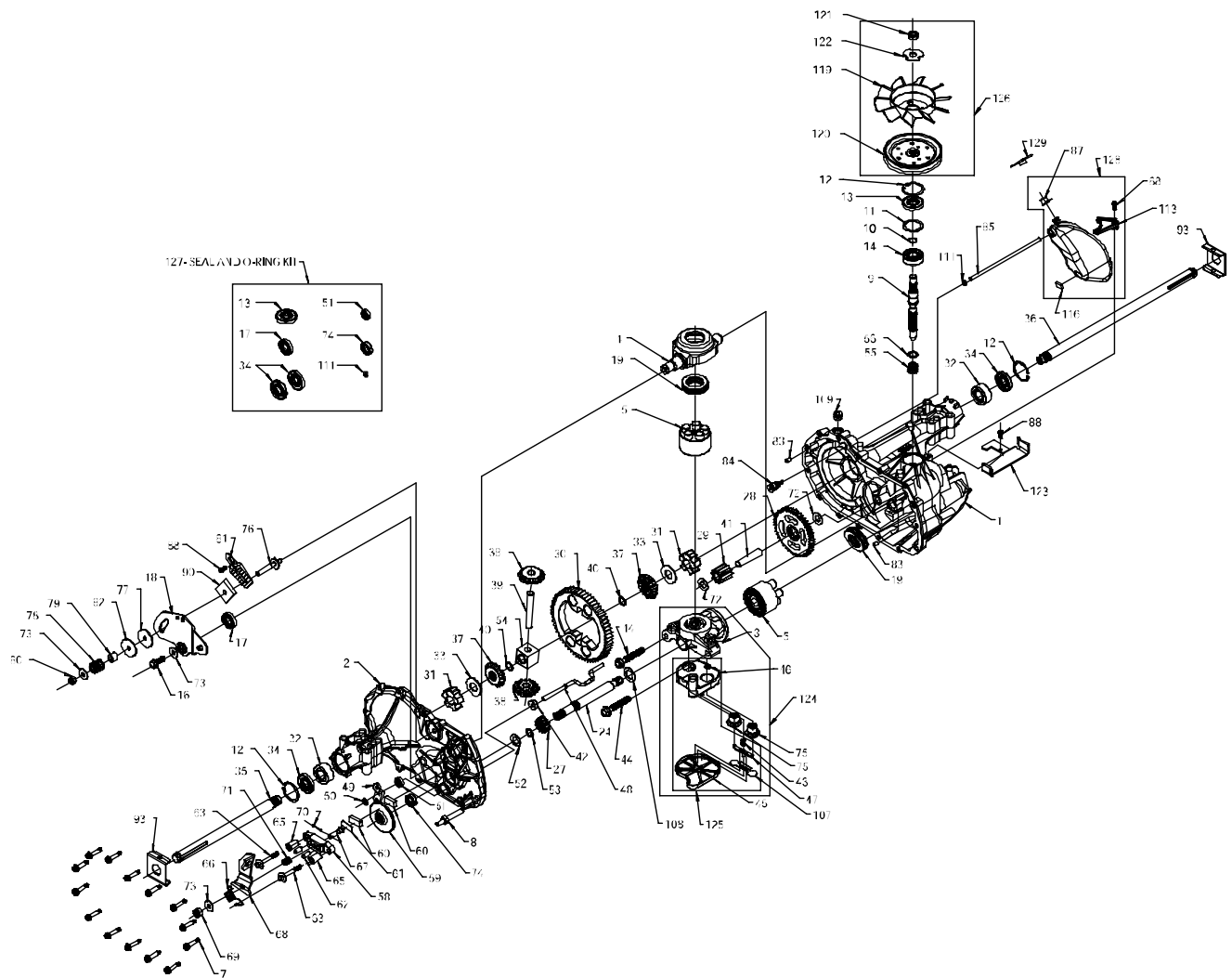
The above parts group applies to the following Mfg. Nos.:

1694610 - Coronet
1694611 - Coronet
1694612 - Coronet
1694613 - 2413H
1694614 - 2413H

Transmission SERVICE PARTS - Hydro-Gear 340-0510

NOTE: Unless noted otherwise,
use the standard hardware torque
specification chart.

1725620



The above parts group applies to the following Mfg. Nos.:

- 1694610 - Coronet
- 1694611 - Coronet
- 1694612 - Coronet
- 1694613 - 2413H
- 1694614 - 2413H

Transmission SERVICE PARTS - Hydro-Gear 340-0510

REF NO	PART NO.	QTY.	DESCRIPTION
52	*	1	FLAT WASHER, 5/8 ID X 1.0 OD X .05 THK
53	*	1	RETAINING RING
54	*	1	BEARING, CENTER BLOCK
55	1715171	1	SPRING - HELICAL COMPRESSION
56	1715172	1	WASHER
57		78.8	20W-50 OIL (Not Shown)
58	1730282	1	BRAKE YOKE
59	1730283	1	ROTOR, BRAKE
60	1706146	2	BRAKE PUCK
61	1706145	1	PUCK PLATE
62	1706141	2	BRAKE ACTUATING PIN
63	1730284	2	HFHCS 1/4-20 X 2 W/PATCH
65	1715199	2	SPACER
66	1730285	1	SPRING, BRAKE ARM BIAS
67	1706160	1	SQ.HD.BOLT 5/16-24- RIBBED
68	1730286	1	ARM, BRAKE
69	1714431	1	SLOTTED HEX NUT 5/16-24
70	1730287	1	COTTER PIN 3/32 X 3/4
71	1730288	1	SPRING, COMPRESSION
72	*	2	WASHER, HT .5 X 1 X .032
73	1730289	3	FLAT - WASHER 11/32 I.D. X 7/8 O.D
74	**	1	OIL SEAL .625 X 1.0 X.25
75	*	2	CHECK PLUG ASSEMBLY, .027, WASHER
76	1714741	1	STUD, 5/16-24 FRICTION PACK
77	1730290	1	PUCK, .330 X 1.50 X .0975
78	1714739	1	SPRING, HELICAL COMP
79	1714740	1	SPACER
80	1715178	1	HEX LOCK NUT 5/16-24 UNJF
81	1730291	1	WEDGE, FRICTION PACK
82	1730292	1	WASHER .316 X 1.50 X .1046 (PLATED)
83	*	2	PIN, STANDARD HEADLESS
84	*	1	FITTING, 5/16 SAE 5/32 TUBE
85	1730293	1	HOSE, EXPANSION TANK
87	1730294	1	CAP, VENT
88	1714742	3	BOLT, SELF TAPPING 10-32 X 1/2
90	1730295	1	PUCK, INNER WEDGE
93	1730296	2	SPRING CLIP - HOUSING THRUST
107	*	1	DEFLECTOR
108	*	1	WASHER, .71 X 1.16 X .030 THK
109	1730297	1	PLUG, SAE #6
111	**	1	O-RING .07 X .301 ID
113	1730298	1	BRACKET,SUPPORT EXPANSION TANK
116	1730299	1	SILICON SPONGE
119	1730300	1	FAN 6" 10 BLADE
120	1730301	1	PULLEY 3.86

Footnotes

Note* Not serviced seperately, order complete transmission.

Note** Not serviced seperately, order seal kit reference # 126, 127.

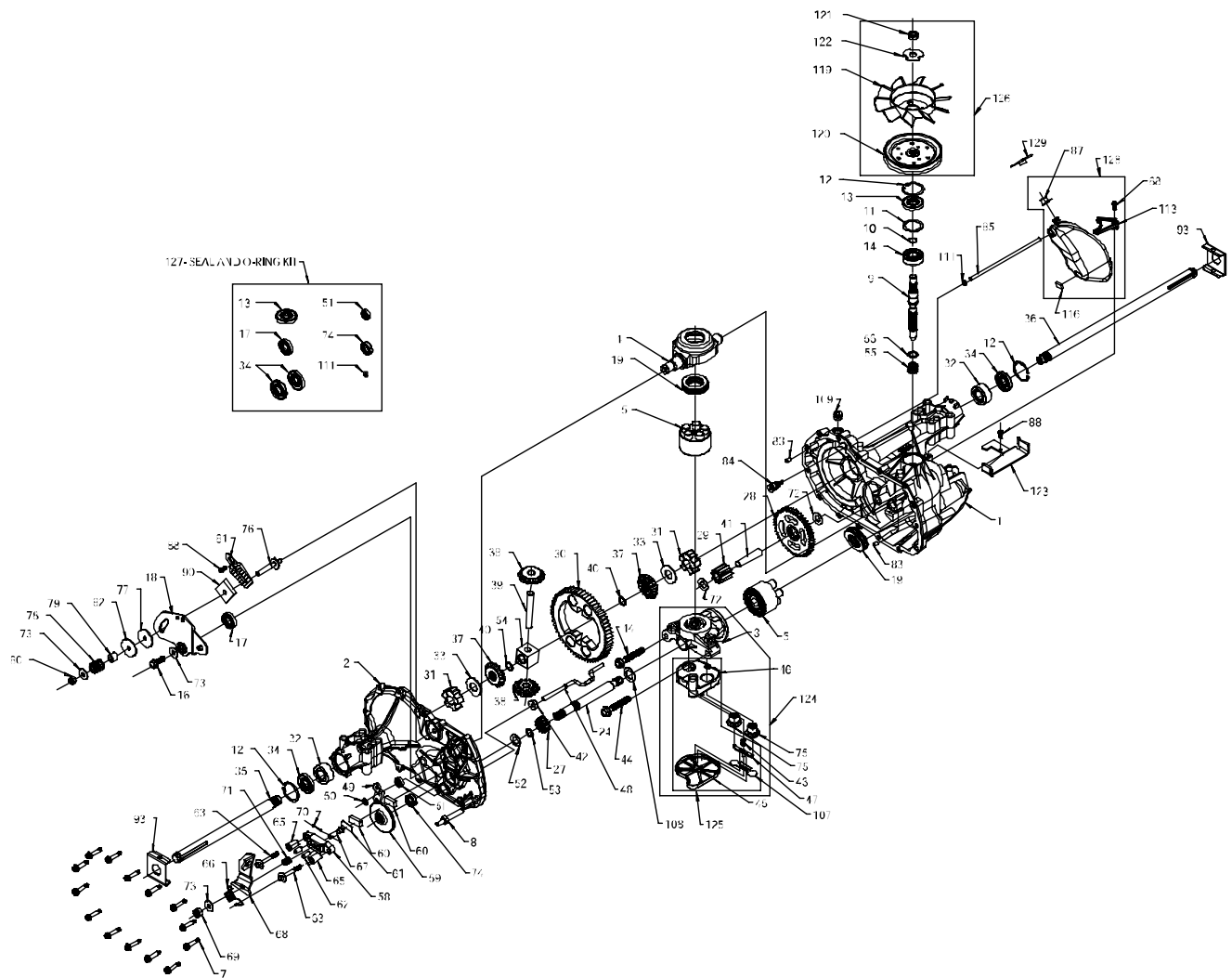
The above parts group applies to the following Mfg. Nos.:

1694610 - Coronet
1694611 - Coronet
1694612 - Coronet
1694613 - 2413H
1694614 - 2413H

Transmission SERVICE PARTS - Hydro-Gear 340-0510

NOTE: Unless noted otherwise,
use the standard hardware torque
specification chart.

1725620



The above parts group applies to the following Mfg. Nos.:

- 1694610 - Coronet
- 1694611 - Coronet
- 1694612 - Coronet
- 1694613 - 2413H
- 1694614 - 2413H

Transmission SERVICE PARTS - Hydro-Gear 340-0510

REF NO	PART NO.	QTY.	DESCRIPTION
121	1730302	1	NUT, HEX LOCK 1/2-20 (NYLON INSERT)
122	1730303	1	WASHER, OD SLOTTED .53 X 1.63 X .06
123	1730304	1	BELT KEEPER
124	*	1	CENTER SECTION - FILTER - BYPASS ASSEMBLY (Incl Ref No 3, 43, 45, 46, 47, 75 & 107)
125	*	1	FILTER ASSEMBLY (Incl Ref No 43, 45, 46, 47 & 107)
126	1730305	1	KIT, FAN/PULLEY (Incl Ref No 13, 17, 34, 51, 74 & 111)
127	1730306	1	SEAL - O-RING KIT (Incl Ref No 13, 17, 34, 51, 74 & 111)
128	1730307	1	KIT, EXPANSION TANK (Incl Ref No 87, 88, 113 & 116)
129	1730308	1	CAP, EXPANSION TANK SHIPPING

Footnotes

Note* Not serviced seperately, order complete transmission.

Note** Not serviced seperately, order seal kit reference # 126, 127.

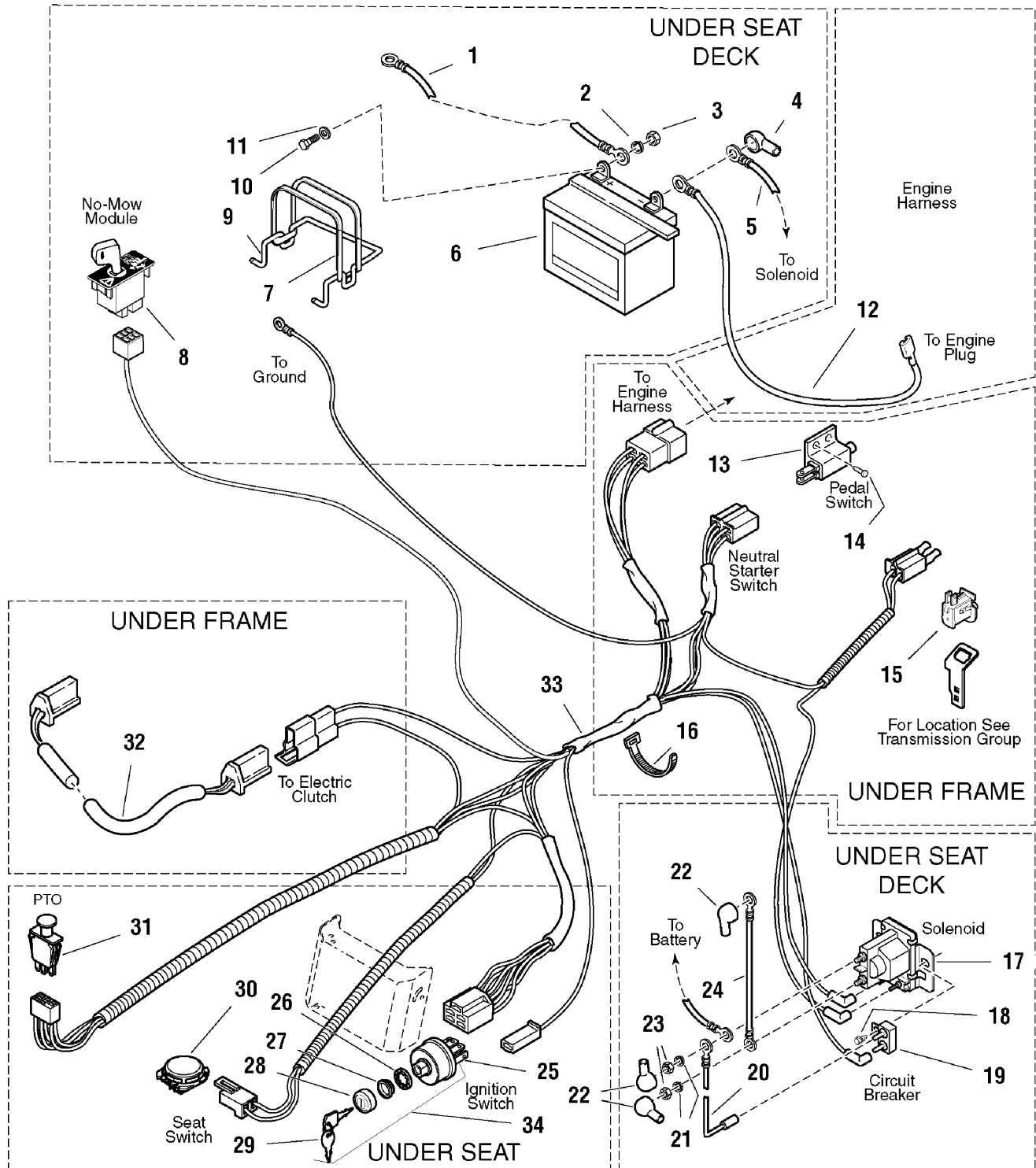
The above parts group applies to the following Mfg. Nos.:

1694610 - Coronet
1694611 - Coronet
1694612 - Coronet
1694613 - 2413H
1694614 - 2413H

Electrical Group

985431

NOTE: Unless noted otherwise, use the standard hardware torque specification chart.



The above parts group applies to the following Mfg. Nos.:
1694611 - Coronet

Electrical Group

REF NO	PART NO.	QTY.	DESCRIPTION
1	1707056	1	CABLE, Battery to Ground
2	2816964	2	WASHER, Lock, 1/4
3	2816622	2	NUT, Hex 1/4-20
4	1709086	1	BOOT, Insulator
5	1727668	1	CABLE, Battery to Solenoid
6	1685215	1	BATTERY
7	1665872	1	STRAP, Battery
8	1726556	1	NO-MOW MODULE (RMO Models Only)
9	1667805	1	BRACE, Battery
10	2823341	2	CAPSCREW, Hex Head, 1/4-20 x 3/4
11	2821319	2	WASHER
12	1718952	1	WIRE ASSEMBLY, 16GA
13	1717050	1	SWITCH, Neutral Start
14	1722035	2	POP-RIVET
15	1704379	1	SWITCH, Push Button (N.O.) (RMO Models Only)
16	1701011	2	TIE, Self-Locking
17	1685290	1	SOLENOID
18	1925003	2	CAPSCREW, Hex Head, Taptite, 1/4-20 x 1/2
19	1665238	1	CIRCUIT BREAKER
20	1665237	1	WIRE ASSEMBLY
21	1917356	1	LOCKWASHER, 5/16
22	2122023	3	COVER, Terminal
23	1920263	2	NUT, Hex, 5/16-24
24	1709088	1	CABLE, Solenoid to Starter
25	**	1	SWITCH, Ignition (6 pole)
26	1960547	1	WASHER, Internal Tooth, 5/8
27	1717549	1	NUT
28	1717550	1	COVER, Keyswitch
29	1717163	1	KEYS (Set of 2 Keys)
30	1718981	1	SWITCH, Seat
31	1716332	1	* SWITCH, PTO, Electric Clutch
32	1726667	1	WIRE HARNESS, Clutch (RMO Models Only)
32	1724873	1	WIRE HARNESS, Clutch
33	1726654	1	HARNESS, Wiring (RMO Models Only)
33	1718946	1	HARNESS, Wiring
34	1686734	1	IGNITION KEY SWITCH ASSEMBLY

Footnotes

Note* If connection blades do not line up use 1686620 Switch Kit. (Contains switch, adaptor & instruction sheet.)

Note** See reference number 41. Sold as assembly.

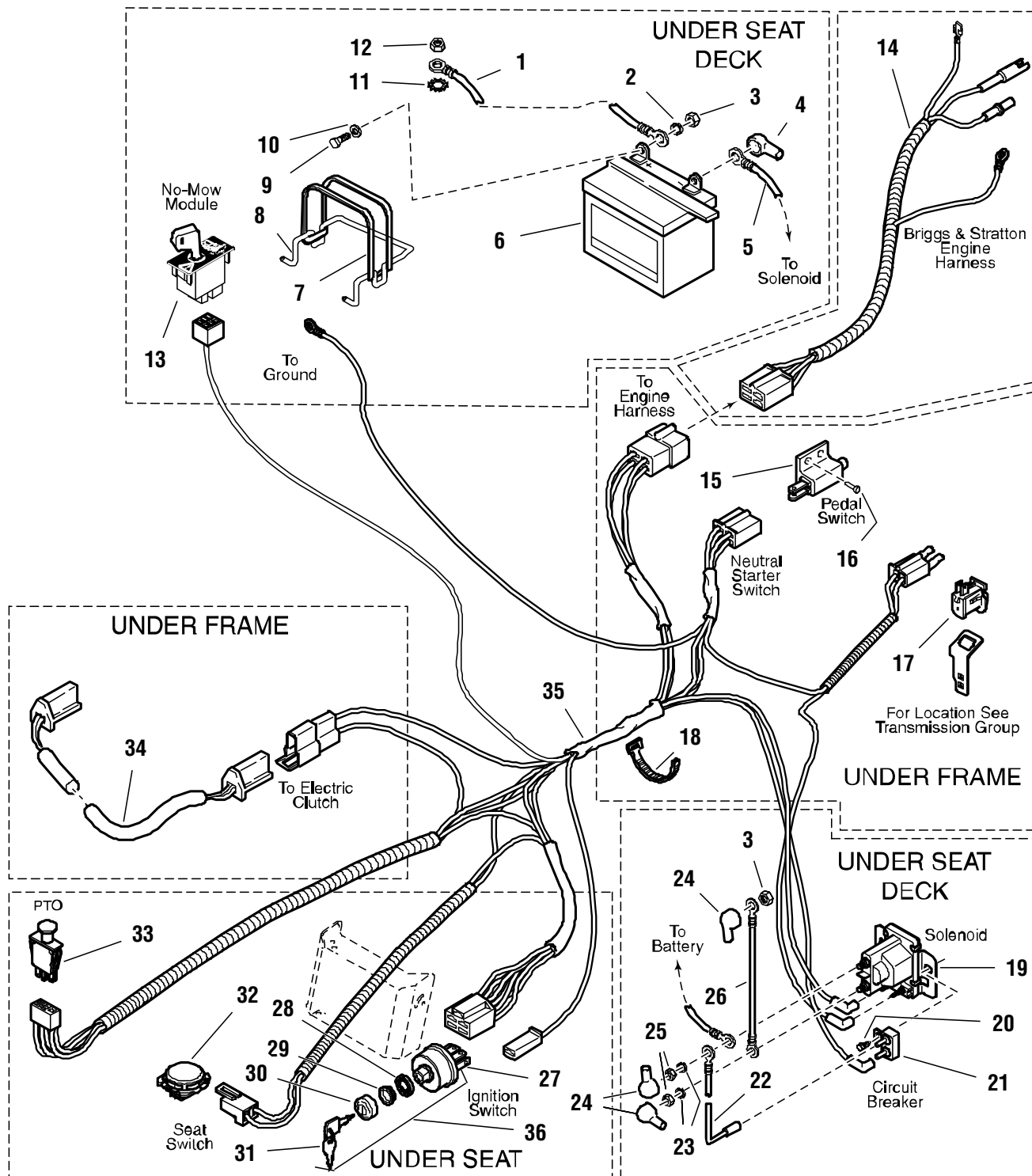
The above parts group applies to the following Mfg. Nos.:

1694611 - Coronet

Electrical Group

986634

NOTE: Unless noted otherwise, use the standard hardware torque specification chart.



The above parts group applies to the following Mfg. Nos.:

- 1694610 - Coronet
- 1694612 - Coronet
- 1694613 - 2413H
- 1694614 - 2413H

Electrical Group

REF NO	PART NO.	QTY.	DESCRIPTION
1	1713163	1	CABLE, Battery to Ground
2	2816964	2	WASHER, Lock, 1/4
3	2816622	3	NUT, Hex 1/4-20
4	1709086	1	BOOT, Insulator
5	1727668	1	CABLE, Battery to Solenoid
6	1685215	1	BATTERY
7	1665872	1	STRAP, Battery
8	1667805	1	BRACE, Battery
9	2823341	2	CAPSCREW, Hex Head, 1/4-20 x 3/4
10	2821319	2	WASHER
11	2820427	1	WASHER, Lock, External Tooth, 3/8
12	2816950	1	NUT, Hex, 3/8-16
13	1726556	1	NO-MOW MODULE
14	1718948	1	WIRE ASSEMBLY, Harness to Engine (Briggs & Stratton Only)
15	1717050	1	SWITCH, Neutral Start
16	1722035	2	POP-RIVET
17	1704379	1	SWITCH, Push Button (N.O.)
18	1701011	2	TIE, Self-Locking
19	1685290	1	SOLENOID
20	1925003	2	CAPSCREW, Hex Head, Taptite, 1/4-20 x 1/2
21	1665238	1	CIRCUIT BREAKER
22	1665237	1	WIRE ASSEMBLY
23	1917356	1	LOCKWASHER, 5/16
24	2122023	3	COVER, Terminal
25	1920263	2	NUT, Hex, 5/16-24
26	1709088	1	CABLE, Solenoid to Starter
27	**	1	SWITCH, Ignition (6 pole)
28	1960547	1	WASHER, Internal Tooth, 5/8
29	1717549	1	NUT
30	1717550	1	COVER, Keyswitch
31	1717163	1	KEYS (Set of 2 Keys)
32	1718981	1	SWITCH, Seat
33	1716332	1	* SWITCH, PTO, Electric Clutch
34	1726667	1	WIRE HARNESS, Clutch
35	1726654	1	HARNESS, Wiring
36	1686734	1	IGNITION KEY SWITCH ASSEMBLY

Footnotes

Note* If connection blades do not line up use 1686620 Switch Kit. (Contains switch, adaptor & instruction sheet.)

Note** See reference number 41. Sold as assembly.

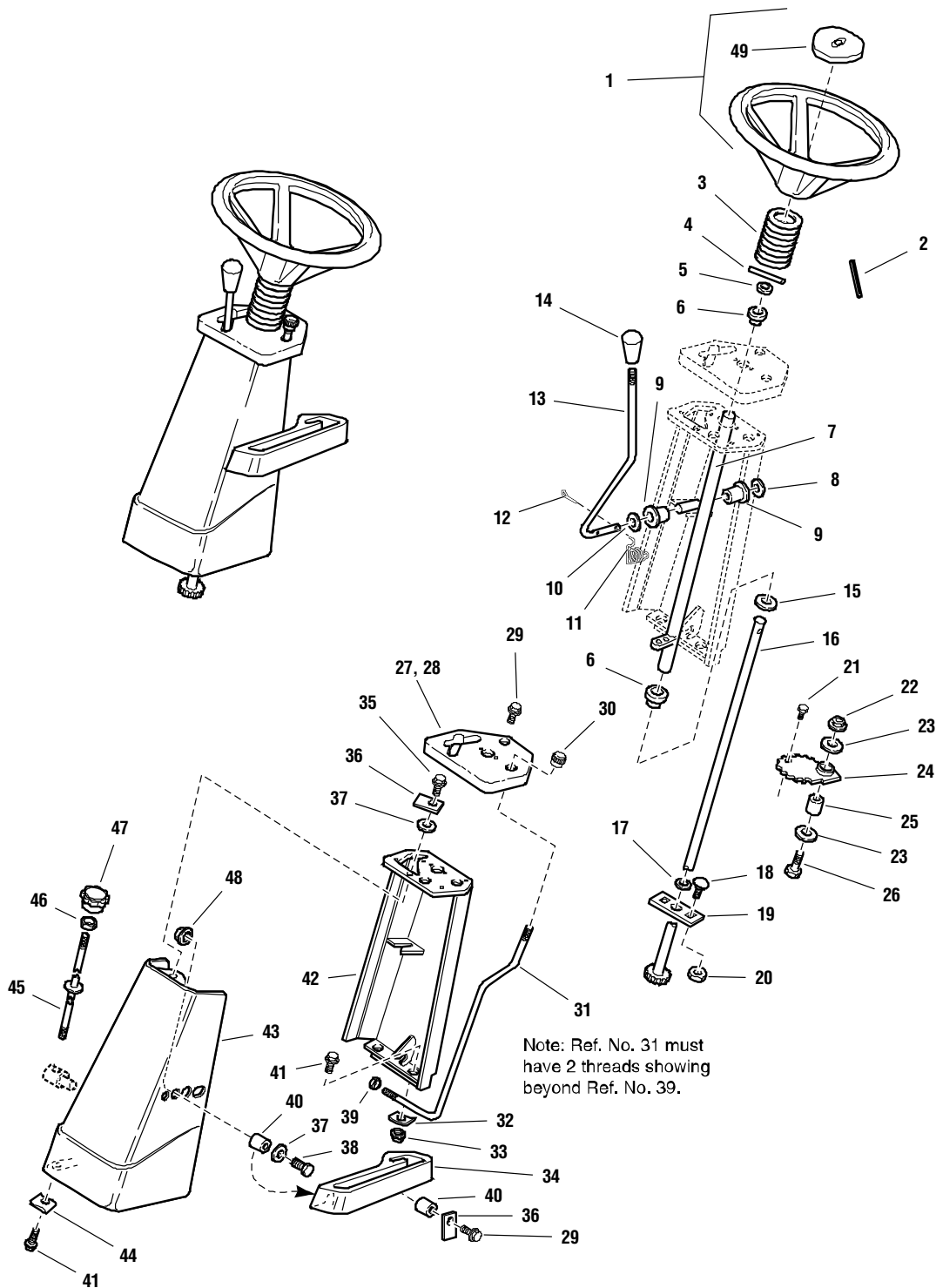
The above parts group applies to the following Mfg. Nos.:

1694610 - Coronet
1694612 - Coronet
1694613 - 2413H
1694614 - 2413H

Front Column & Dash Group

984685

NOTE: Unless noted otherwise,
use the standard hardware torque
specification chart.



The above parts group applies to the following Mfg. Nos.:

- 1694610 - Coronet
- 1694611 - Coronet
- 1694612 - Coronet
- 1694613 - 2413H
- 1694614 - 2413H

Front Column & Dash Group

REF NO	PART NO.	QTY.	DESCRIPTION
1	1713841	1	STEERING WHEEL ASSEMBLY (Includes Ref. No. 49)
2	1960540	1	ROLL PIN
3	1678381	1	TUBE, Steering
4	2816001	1	PIN
5	1960160	3	WASHER, 49/64
6	2176440	2	BUSHING
7	1709229	1	TUBE ASSEMBLY, Shift
8	1960170	1	WASHER
9	1704428	2	BUSHING
10	1924361	1	WASHER, Plain, 17/32 x 1-1/4 x 7/64
11	1707424	1	SPRING, Torsion
12	1918447	2	COTTER PIN
13	1707375	1	ROD, Shift
14	1713843	1	KNOB, Rod, Shift
15	1960114	1	WASHER, Plain, 11/32 x 1 x 1/8
16	1706014	1	SHAFT ASSEMBLY, Steering
17	2173668	1	WASHER, Plain
18	1931350	2	CARRIAGE BOLT, 3/8-16 x 1
19	1703508A	1	PLATE, Steering Mounting
20	1928352	2	NUT, Hex, 3/8-16
21	1921221	1	CAPSCREW, Hex Head, 5/16-18 x 1-1/2
22	1960339	1	NUT, Hex, Flange Lock, 3/8-16
23	1924356	3	WASHER, 13/32 x 1-1/2 x 1/8
24	1708426	1	GEAR, Steering
25	1666332	1	SPACER
26	1923701	1	CAPSCREW, Hex Head, 3/8-16 x 2
27	1714081	1	DASH, Hydro
28	1714082	1	DASH, Gear
29	1925592	3	CAPSCREW, Hex, Flange, Taptite, 1/4-20 x 3/4
30	1713855	1	KNOB, Rod, Parking Brake
31	1707057	1	ROD, Parking Brake
32	1933988	2	PUSH NUT, 5/16
33	1931277	2	NUT, Hex, Flange, Whizlock, 5/16-18
34	1708965	1	QUADRANT, Lift
35	1925003	3	CAPSCREW, Hex Head, Taptite, 1/4-20 x 1/2
36	1709075	2	CLAMP
37	1921319	2	WASHER, Plain, 1/4
38	1924009	2	CAPSCREW, Hex Head, 1/4-20 x 7/8
39	1960608	1	NUT, Hex, Flange Centerlock, 1/4-20
40	1678392	3	SPACER, 17/64 x 3/8 x 21/64
41	1930591	6	CAPSCREW, Hex Head, Whizlock, 5/16-18 x 3/4
42	1708990A	1	SUPPORT, Steering
43	1708267C	1	SHROUD, Front (Orange)
43	1708267D	1	SHROUD, Front (Red)

Footnotes

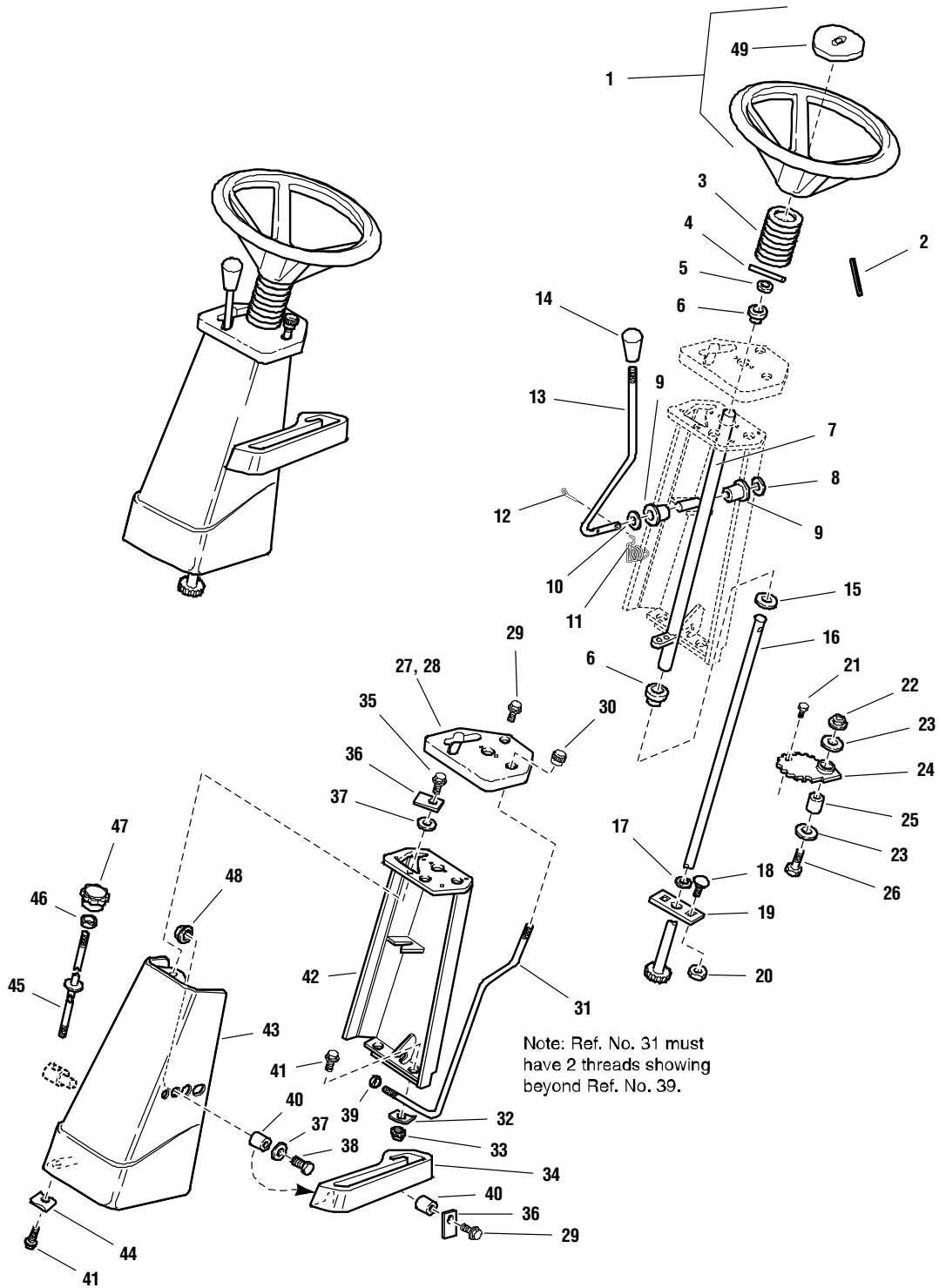
The above parts group applies to the following Mfg. Nos.:

1694610 - Coronet
1694611 - Coronet
1694612 - Coronet
1694613 - 2413H
1694614 - 2413H

Front Column & Dash Group

984685

NOTE: Unless noted otherwise,
use the standard hardware torque
specification chart.



The above parts group applies to the following Mfg. Nos.:

- 1694610 - Coronet
- 1694611 - Coronet
- 1694612 - Coronet
- 1694613 - 2413H
- 1694614 - 2413H

Front Column & Dash Group

REF NO	PART NO.	QTY.	DESCRIPTION
44	1935255	4	PAL NUT, 5/16-18
45	1708971	1	ROD, Lift Height
46	1917421	2	NUT, Hex, Jam, 1/4-20
47	1713857	1	KNOB, Rod, Lift Height
48	1930641	2	NUT, Hex, Flange, Whizlock, 1/4-20
49	1714097	1	CAP

Footnotes

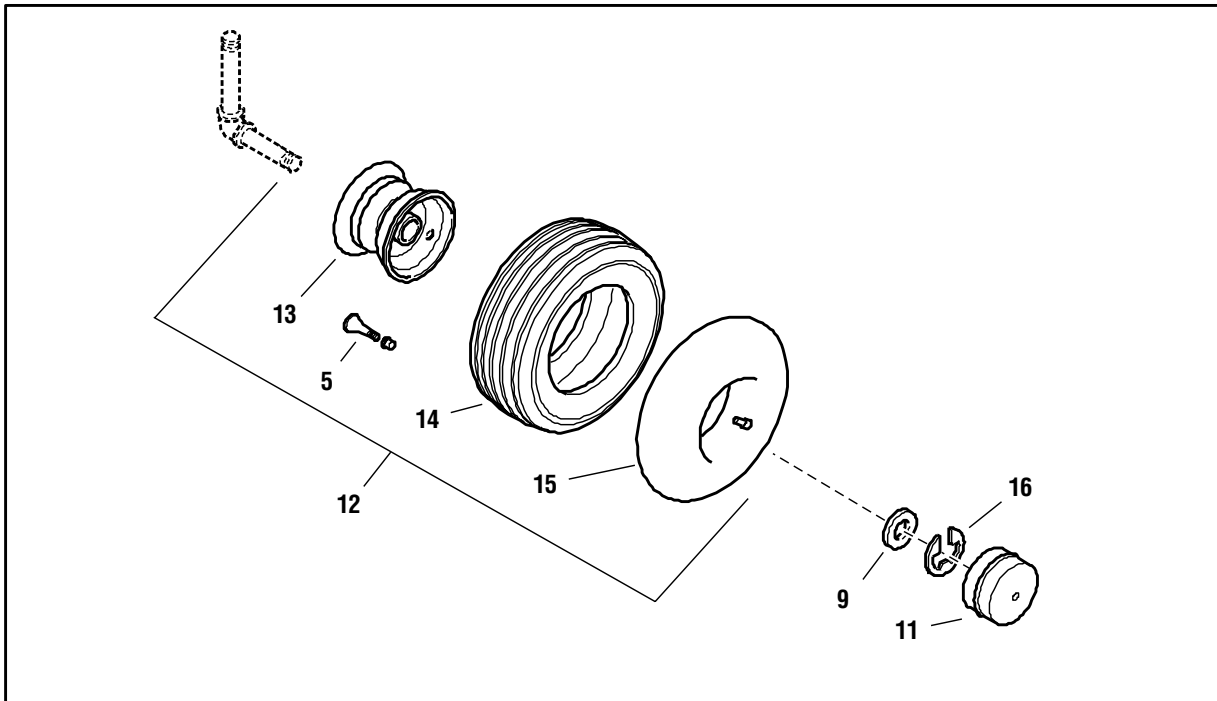
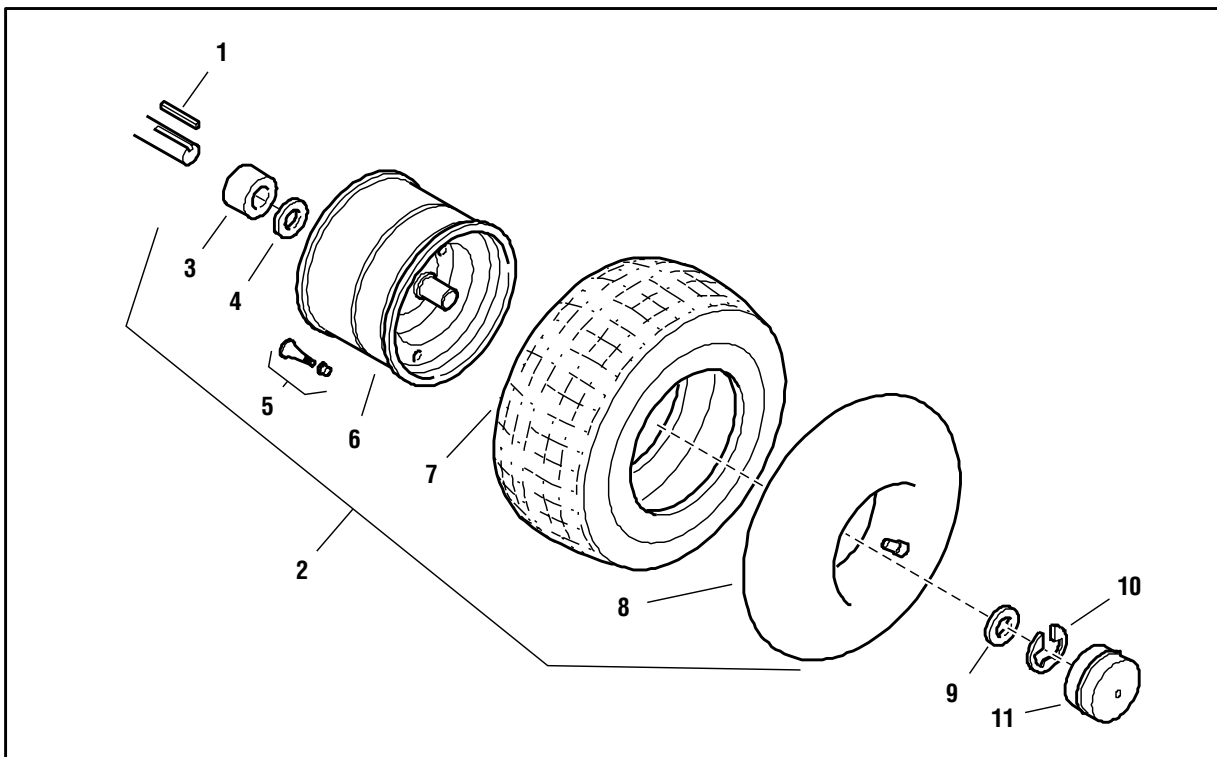
The above parts group applies to the following Mfg. Nos.:

1694610 - Coronet
1694611 - Coronet
1694612 - Coronet
1694613 - 2413H
1694614 - 2413H

Wheels & Tires Group

NOTE: Unless noted otherwise,
use the standard hardware torque
specification chart.

W986637



The above parts group applies to the following Mfg. Nos.:

- 1694610 - Coronet
- 1694611 - Coronet
- 1694612 - Coronet
- 1694613 - 2413H
- 1694614 - 2413H

Wheels & Tires Group

REF NO	PART NO.	QTY.	DESCRIPTION
1	8221042	2	KEY, Square, 3/16 x 3/16 x 1-1/2 long
2	1723171	2	REAR WHEEL & TIRE ASSEMBLY, Hoosier, (Includes Ref. Nos. 3, 4, 7 & 8)
3	1717451	2	SPACER
4	2860202	2	WASHER, 3/4
5	2172353	4	VALVE STEM & CAP
6	1723400	2	REAR WHEEL ASSEMBLY, Metallic Gray
7	1723399	2	TIRE, Rear Wheel, 16 X 6.50-8
8	2164247	2	TUBE, Rear Wheel
9	1960160	4	WASHER, 3/4
10	2827794	2	E RING
11	1722675	4	HUB CAP, Silver
12	1723170	2	FRONT WHEEL & TIRE ASSEMBLY, Hoosier, 13 x 5.00-6, Metallic Gray (Includes Ref. Nos. 4, 15, 18 & 19)
13	1723402	2	FRONT WHEEL ASSEMBLY 13 x 5.00-6, Metallic Gray (Includes Ref. No. 16)
14	1723401	2	TIRE, Front Wheel, 13 x 5.00-6
15	1664090	2	TUBE, Front Wheel, 4.10/3.50 x 6
16	1611710	2	KLIP RING

Footnotes

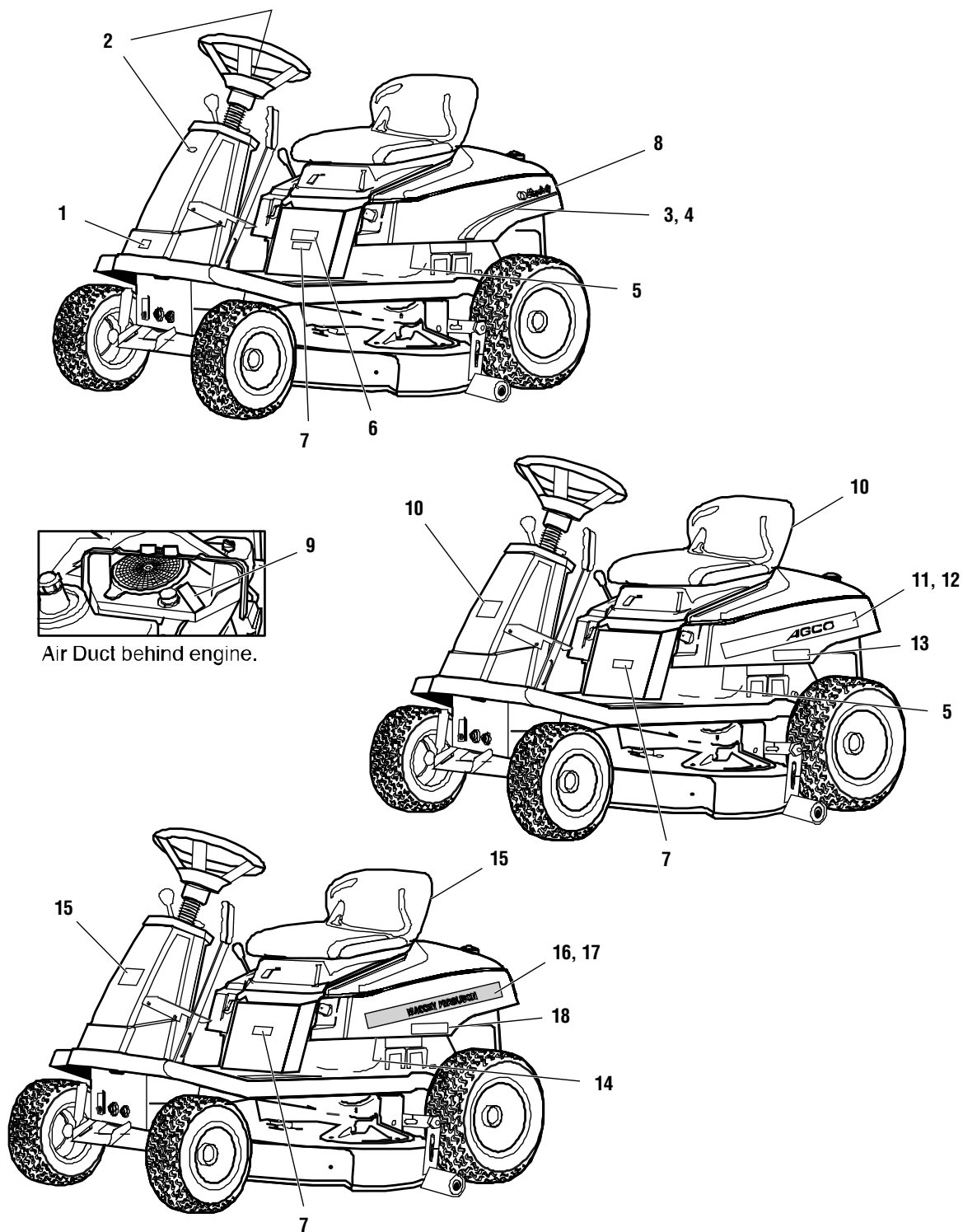
The above parts group applies to the following Mfg. Nos.:

1694610 - Coronet
1694611 - Coronet
1694612 - Coronet
1694613 - 2413H
1694614 - 2413H

Decals Group - Brand & Model

NOTE: Unless noted otherwise,
use the standard hardware torque
specification chart.

B986637



Air Duct behind engine.

The above parts group applies to the following Mfg. Nos.:

- 1694610 - Coronet
- 1694611 - Coronet
- 1694612 - Coronet
- 1694613 - 2413H
- 1694614 - 2413H

Decals Group - Brand & Model

REF NO	PART NO.	QTY.	DESCRIPTION
1	*	1	DECAL, C E, (Export Only)
2	1717692	2	DECAL, Icon, Simplicity
3	1722768	1	DECAL, Seat Deck, LH
4	1722767	1	DECAL, Seat Deck, RH
5	1720454	1	DECAL, Touch-up Paint, Deep Orange & Charcoal Gray
6	1722769	1	DECAL, "CORONET"
7	1722778	1	DECAL, 13 HP
7	1722549	1	DECAL, 16 HP
8	1722551	2	DECAL, Simplicity
9	1724468	1	DECAL, Briggs & Stratton, 13 HP, INTEK
10	1708926	2	DECAL, Logo, AGCO
11	1722853	1	DECAL, Seat Deck AGCO, LH
12	1722854	1	DECAL, Seat Deck AGCO, RH
13	1722856	2	DECAL, Model, 413H
14	1725072	1	DECAL, Touch-up Pain, Red & Gray
15	1714363	2	DECAL, Logo, Massey Ferguson
16	1722851	1	DECAL, Seat Deck, LH
17	1722852	1	DECAL, Seat Deck, RH
18	1722859	2	DECAL, Model, 2413

Footnotes

Note* Not a servicable part.

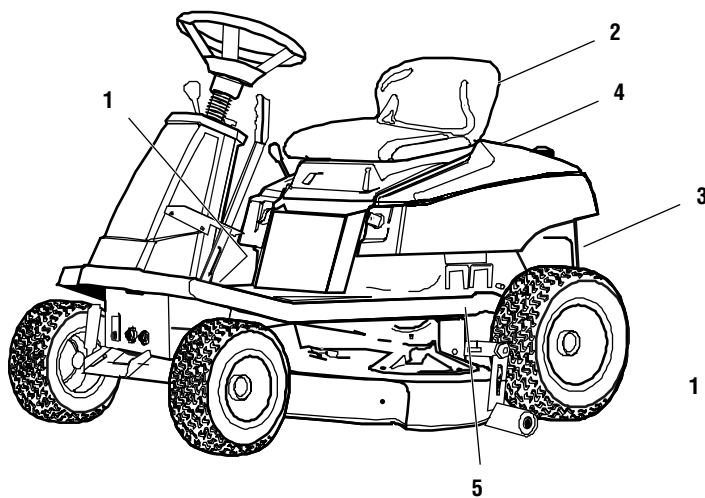
The above parts group applies to the following Mfg. Nos.:

1694610 - Coronet
1694611 - Coronet
1694612 - Coronet
1694613 - 2413H
1694614 - 2413H

Decals Group - Common & Safety

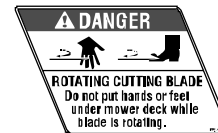
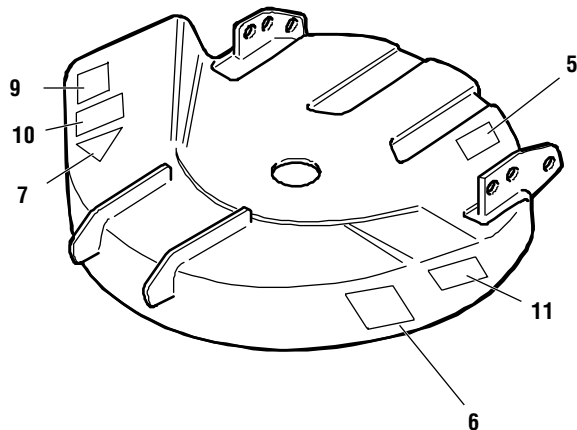
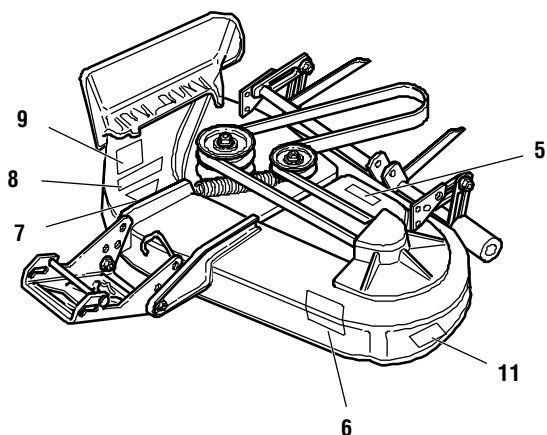
NOTE: Unless noted otherwise, use the standard hardware torque specification chart.

C986637



<p>⚠ DANGER</p> <p>ROTATING BLADES CAUSE DEATH OR SERIOUS INJURY. DO NOT OPERATE MOWER WITHOUT DEFLECTOR IN PLACE. SEE PAGE 11.</p>	<p>OPERATION</p> <p>To Start Engine 1. Turn ignition key to "ON". 2. Push throttle lever to "IDLE". 3. Push "START" button. 4. PTO clutch must be off.</p>
<p>⚠ DANGER</p> <p>DO NOT OPERATE MOWER WITHOUT DEFLECTOR IN PLACE. SEE PAGE 11.</p>	<p>When Operator Leaves Seat 1. Turn ignition key to "OFF". 2. Push parking brake pedal. 3. Turn PTO clutch off.</p>
<p>⚠ WARNING</p> <p>DO NOT TOW UNIT! Damage may result to drive mechanism.</p>	<p>To Operate PTO clutch 1. Turn ignition key to "ON". 2. Push PTO clutch pedal. 3. Turn PTO clutch on.</p>

RIDING MOWER DRIVE BELTS & MOWER BLADES	
Transmission Belt - GEAR	1676460
Transmission Belt - HYDRO	1709023
34" Mower	
Drive Belt	109209
L.H. Blade (small)	1705737
R.H. Blade (large)	1705738
30" Mower	
Drive Belt	1651201
Blade Side Discharge	1664019
Blade Mulcher	1705290



(EXAMPLE)

The above parts group applies to the following Mfg. Nos.:

- 1694610 - Coronet
- 1694611 - Coronet
- 1694612 - Coronet
- 1694613 - 2413H
- 1694614 - 2413H

Decals Group - Common & Safety

REF NO	PART NO.	QTY.	DESCRIPTION
1	1726956	1	DECAL, Operating Instructions, English
1	1726957	1	DECAL, Operating Instructions, Export
2	1708927	1	DECAL, USA (Seat Back)
3	1726341	1	DECAL, Transmission Release (Hydro models only)
4	1726335	1	DECAL, Belt & Blade Replacement
5	*	1	I.D. PLATE (Not Serviced)
6	1704276	1	DECAL, Danger, Rotating Cutting Blade
7	*	1	DECAL, OPEI, (Not Serviced)
8	1722786	1	DECAL, Cutting Width - 34", Silver on Black
9	1704277	1	DECAL, Danger, Chute In Place
10	1722785	1	DECAL, Cutting Width - 30", Silver on Black
11	1722771	1	DECAL, Free Floating Mower

Footnotes

Note* Not a servicable part.

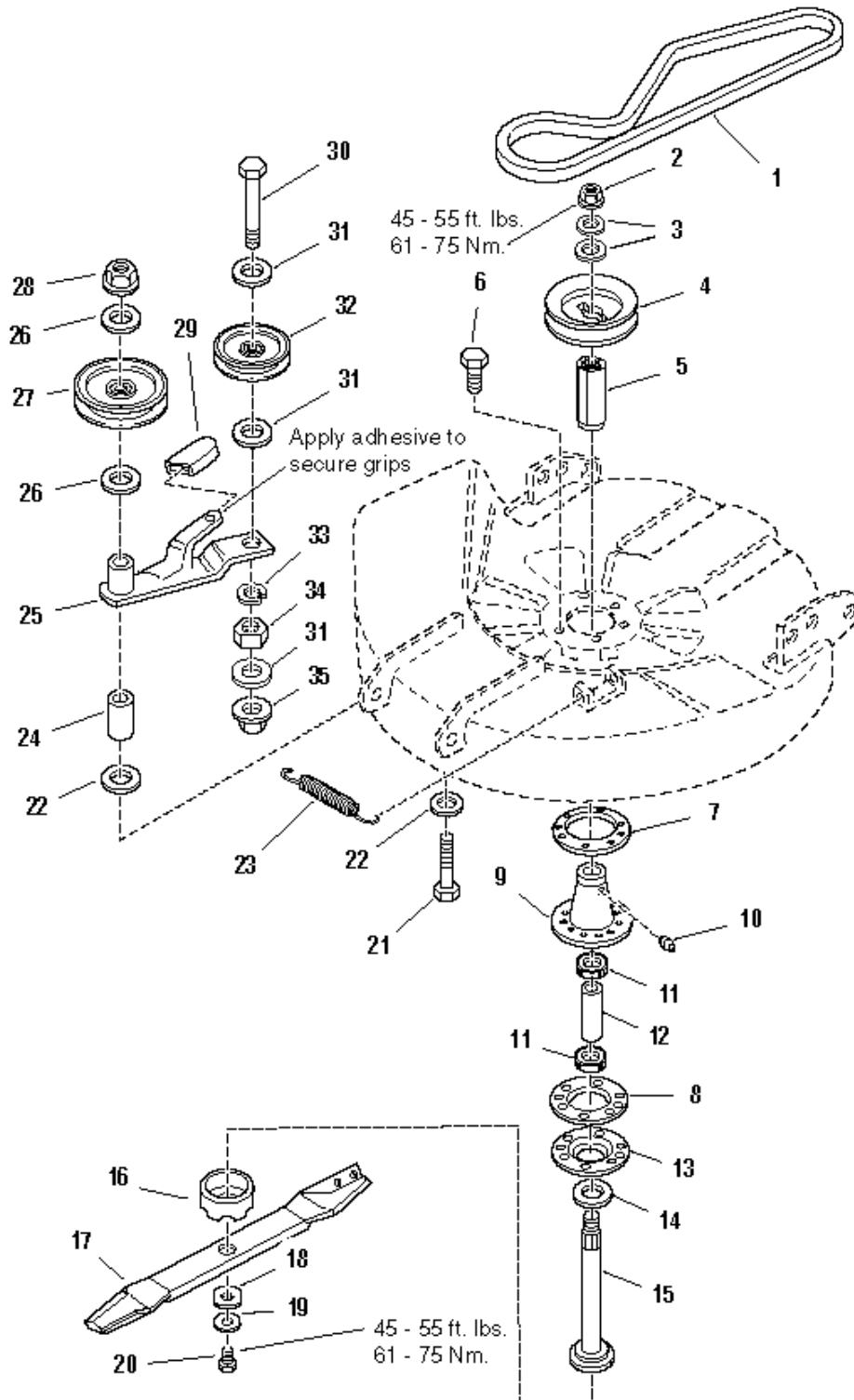
The above parts group applies to the following Mfg. Nos.:

1694610 - Coronet
1694611 - Coronet
1694612 - Coronet
1694613 - 2413H
1694614 - 2413H

30" Mower Deck - Drive & Arbor

984825

NOTE: Unless noted otherwise,
use the standard hardware torque
specification chart.



The above parts group applies to the following Mfg. Nos.:

- 1692543 - 30" Mower
- 1694053 - 30" Mower
- 1694511 - 30" Mower
- 1694537 - 30" Mower

30" Mower Deck - Drive & Arbor

REF NO	PART NO.	QTY.	DESCRIPTION
1	1719746	1	V-BELT
2	1714419	1	NUT, Hex Flange, 9/16-18
3	1713675	2	WASHER, Belleville
4	1713092	1	PULLEY
5	1713613	1	HUB, Pulley, 1-3/16
6	1960373	6	CAPSCREW, Hex Head, Taptite, 5/16-18 x 1
7	1677274A	1	ADAPTER, Arbor
8	1707335	1	GASKET, Foam
9	1713338	1	ARBOR HOUSING ASSEMBLY (Incl. Ref. No. 10)
10	1704314	1	FITTING, Grease
11	1705897	2	BEARING
12	1713204	1	SPACER
13	1713199A	1	COVER, Arbor Housing
14	1713619	1	WASHER, Cupped
15	1713609	1	SHAFT, Arbor, 5-53/64"
16	1713196	1	SHIELD, Grass, Lower
17	1664019A	1	BLADE, Mower, 30"
18	1713089	1	WASHER, Hex
19	1656916	1	WASHER, Spring
20	2823471	1	CAPSCREW, Hex Head, 7/16-14 x 1, GR 8
21	1923903	1	CAPSCREW, Hex Head, 3/8-16 x 3
22	1924356	2	WASHER, Flat, 3/8 x 1-1/2 x 1/8
23	1715435	1	SPRING
24	1669105A	1	SPACER
25	1708562	1	LEVER ASSEMBLY
26	1924940	2	WASHER, Plain, 3/8
27	1707435	1	PULLEY ASSEMBLY Idler, Fixed, 6" Dia.
28	1928352	1	NUT, Hex, Whizlock, 3/8-16
29	1665835	1	GRIP, Lever
30	1923701	1	CAPSCREW, Hex Head, 3/8-16 x 2
31	1922755	3	WASHER, 13/32 x 1 x 1/8
32	1704926	1	IDLER PULLEY, Backside
33	1916965	1	LOCKWASHER, 3/8
34	1916950	1	NUT, Hex, 3/8
35	1928731	1	NUT, Hex, Lock, 3/8-16

Footnotes

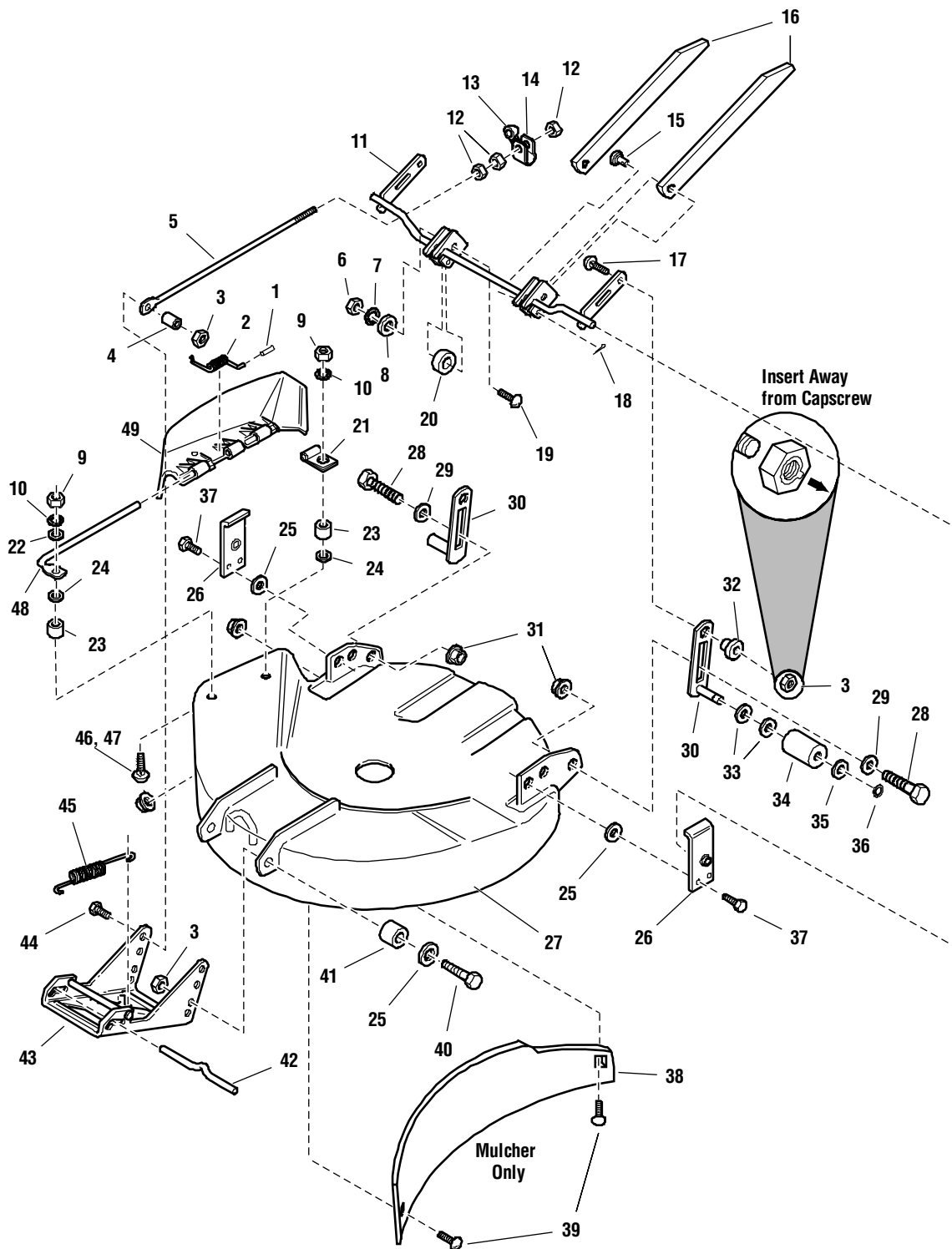
The above parts group applies to the following Mfg. Nos.:

1692543 - 30" Mower
1694053 - 30" Mower
1694511 - 30" Mower
1694537 - 30" Mower

30" Mower Deck - Housing & Height Adjustment (CE)

986458

NOTE: Unless noted otherwise,
use the standard hardware torque
specification chart.



The above parts group applies to the following Mfg. Nos.:
1694537 - 30" Mower

30" Mower Deck - Housing & Height Adjustment (CE)

REF NO	PART NO.	QTY.	DESCRIPTION
1	1723323	1	CAP, Spring End
2	1723938	1	SPRING
3	2860681	5	NUT, Hex, ALUM Lock, 3/8
4	1611705	1	SPACER
5	1707300	1	ROD, Adjustment
6	1917372	2	NUT, Hex, 5/16-18
7	1917356	2	LOCKWASHER, 5/16
8	1919326	2	WASHER
9	1916622	2	NUT, Hex, 1/4-20
10	1916964	2	LOCKWASHER, 1/4
11	1707540A	1	ARM ASSEMBLY, Mower
12	1913744	3	JAMNUT, Hex, 3/8-16
13	1671260	1	SPACER
14	1707280A	1	TRUNNION
15	1655651	2	PIN, Locking
16	1709209A	2	BAR, Mower Transport
17	1931352	2	CARRIAGE BOLT, 3/8-16 x 1-1/2
18	1960074	2	PIN, Retaining
19	1960223	2	CARRIAGE BOLT, 5/15-18 x 1-1/4
20	1704716	2	SPACER
21	1704873	1	CLAMP
22	1921319	3	WASHER, Plain (1 Required for Export)
23	1700692	2	SPACER (Export)
24	1960518	2	PUSHNUT, 1/4
25	1924940	6	WASHER, Flat, 3/8
26	1708250A	2	PLATE, Pivot Support
27	1685670	1	HOUSING ASSEMBLY, 30" (Orange)
27	1687157	1	HOUSING ASSEMBLY, 30" (Red)
27	1687135	1	HOUSING ASSEMBLY, 30" (Black)
28	2172622	2	BOLT, Shoulder
29	1924361	2	WASHER, Flat
30	1708519A	2	SUPPORT ASSEMBLY, Roller
31	1928352	2	NUT, Hex, Flange, Whizlock, 3/8-16
32	1704082	2	NUT, Adjustment
33	1924366	4	WASHER, Plain, 21/32 x 1-1/8 x 7/64
34	1668487	2	ROLLER
35	1960020	2	WASHER, 21/32 x 1-1/8 x 1/16
36	2153124	2	RING, Retaining
37	1664847	4	CAPSCREW, Taptite, 5/16-18 x 3/4
38	1700692	2	CARRIAGE BOLT, 5/16-18 x 3/4, G5
39	1709282A	1	PLATE, Discharge (30" Mulcher)
40	1920415	2	CAPSCREW, Hex, 3/8-16 x 1-14
41	2157081	2	SPACER
42	1715759	1	ROD, Latch, Hitch

Footnotes

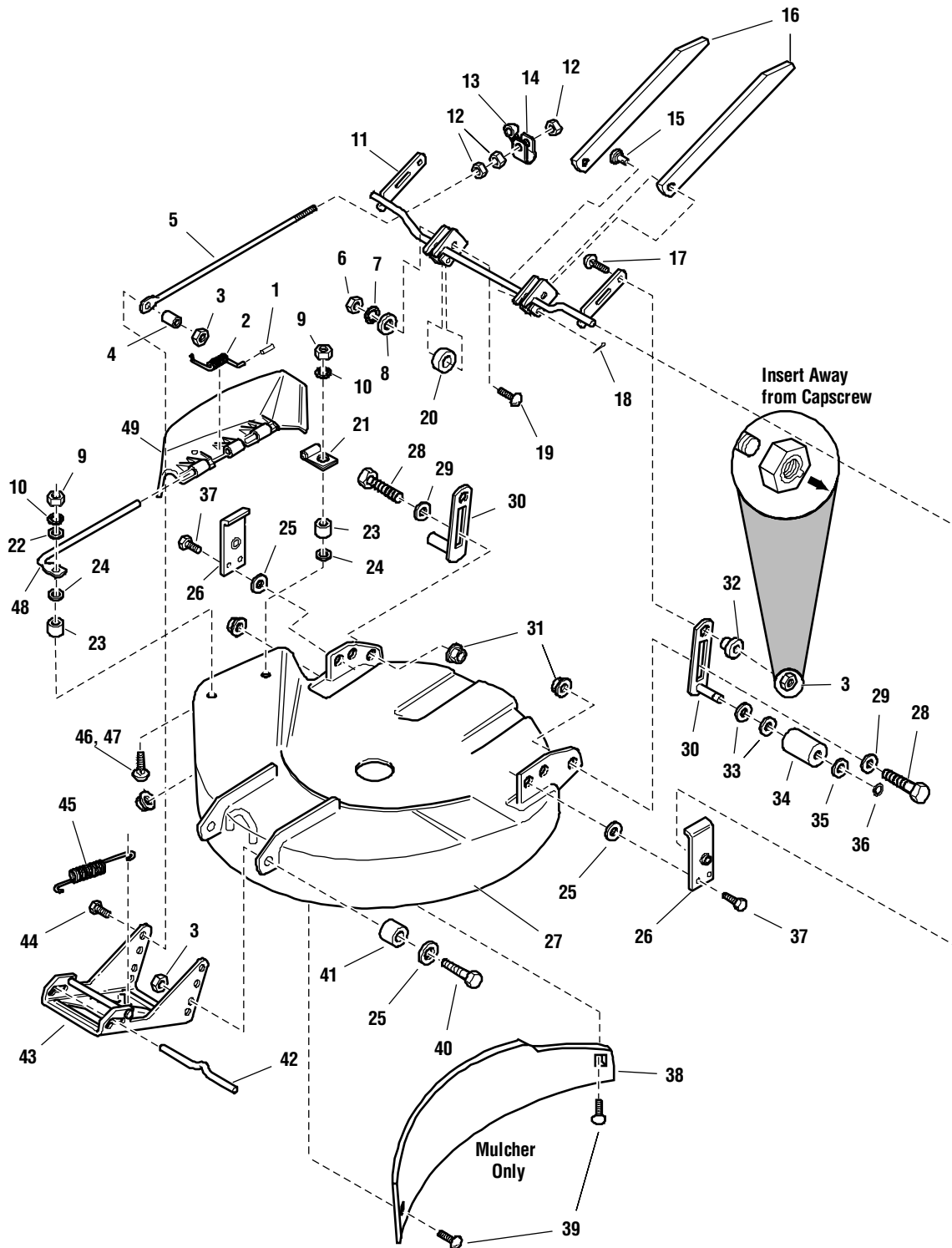
The above parts group applies to the following Mfg. Nos.:

1694537 - 30" Mower

30" Mower Deck - Housing & Height Adjustment (CE)

986458

NOTE: Unless noted otherwise,
use the standard hardware torque
specification chart.



The above parts group applies to the following Mfg. Nos.:
1694537 - 30" Mower

30" Mower Deck - Housing & Height Adjustment (CE)

REF NO	PART NO.	QTY.	DESCRIPTION
43	1707432A	1	HITCH ASSEMBLY
44	1921210	1	CAPSCREW, Hex Head, 3/8-16 x 1
45	2156302	1	SPRING
46	1931317	2	CARRIAGE BOLT, 1/4-20 x 3/4
47	1931320	2	CARRIAGE BOLT, 1/4-20 x 1-1/4 (Export)
48	1664947	1	ROD, Deflector
49	1705449	1	DEFLECTOR, Plastic

Footnotes

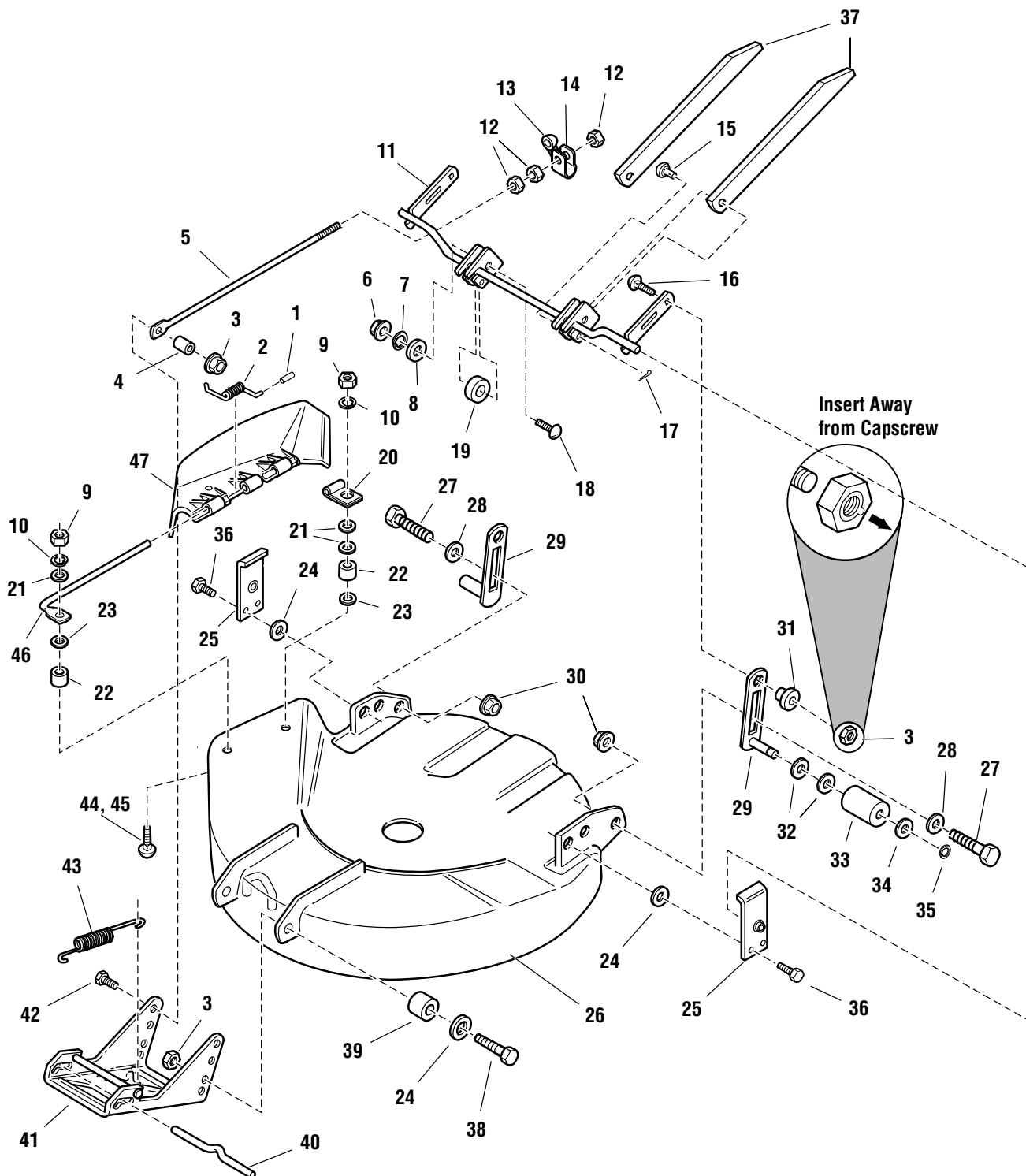
The above parts group applies to the following Mfg. Nos.:

1694537 - 30" Mower

30" Mower Deck - Housing, Hitch & Height Adjustment

984421

NOTE: Unless noted otherwise, use the standard hardware torque specification chart.



The above parts group applies to the following Mfg. Nos.:

- 1692543 - 30" Mower
- 1694053 - 30" Mower

30" Mower Deck - Housing, Hitch & Height Adjustment

REF NO	PART NO.	QTY.	DESCRIPTION
1	1723323	1	CAP, Spring End
2	1723938	1	SPRING
3	2860641	5	NUT, Hex, ALUM Lock, 3/8
4	1611705	1	SPACER
5	1707300	1	ROD, Adjustment
6	1917372	2	NUT, Hex, 5/16-18
7	1917356	2	LOCKWASHER, 5/16
8	1919326	2	WASHER
9	1916622	2	NUT, Hex, 1/4-20
10	1916964	2	LOCKWASHER, 1/4
11	1707540A	1	ARM ASSEMBLY, Mower
12	1913744	3	JAMNUT, Hex, 3/8-16
13	1671260	1	SPACER
14	1707280A	1	TRUNNION
15	1655651	2	PIN, Locking
16	1931352	2	CARRIAGE BOLT, 3/8-16 x 1-1/2
17	1960074	2	PIN, Retaining
18	1960223	2	CARRIAGE BOLT, 5/15-18 x 1-1/4
19	1704716	2	SPACER
20	1704873	1	CLAMP
21	1921319	3	WASHER, Plain (1 Required for Export)
22	1700692	2	SPACER (Export)
23	1960518	2	PUSHNUT, 1/4
24	1924940	6	WASHER, Flat, 3/8
25	1708250A	2	PLATE, Pivot Support
26	1685670	1	HOUSING ASSEMBLY, 30" (Orange)
26	1687157	1	HOUSING ASSEMBLY, 30" (Red)
26	1687135	1	HOUSING ASSEMBLY, 30" (Black)
27	2172622	2	BOLT, Shoulder
28	1924361	2	WASHER, Flat
29	1708519A	2	SUPPORT ASSEMBLY, Roller
30	1928352	2	NUT, Hex, Flange, Whizlock, 3/8-16
31	1704082	2	NUT, Adjustment
32	1924366	4	WASHER, Plain, 21/32 x 1-1/8 x 7/64
33	1668487	2	ROLLER
34	1960020	2	WASHER, 21/32 x 1-1/8 x 1/16
35	2153124	2	RING, Retaining
36	1664847	4	CAPSCREW, Taptite, 5/16-18 x 3/4
37	1709209A	2	BAR, Mower Transport
38	1920415	2	CAPSCREW, Hex, 3/8-16 x 1-14
39	2157081	2	SPACER
40	1715759	1	ROD, Latch, Hitch
41	1707432A	1	HITCH ASSEMBLY
42	1921210	1	CAPSCREW, Hex Head, 3/8-16 x 1

Footnotes

The above parts group applies to the following Mfg. Nos.:

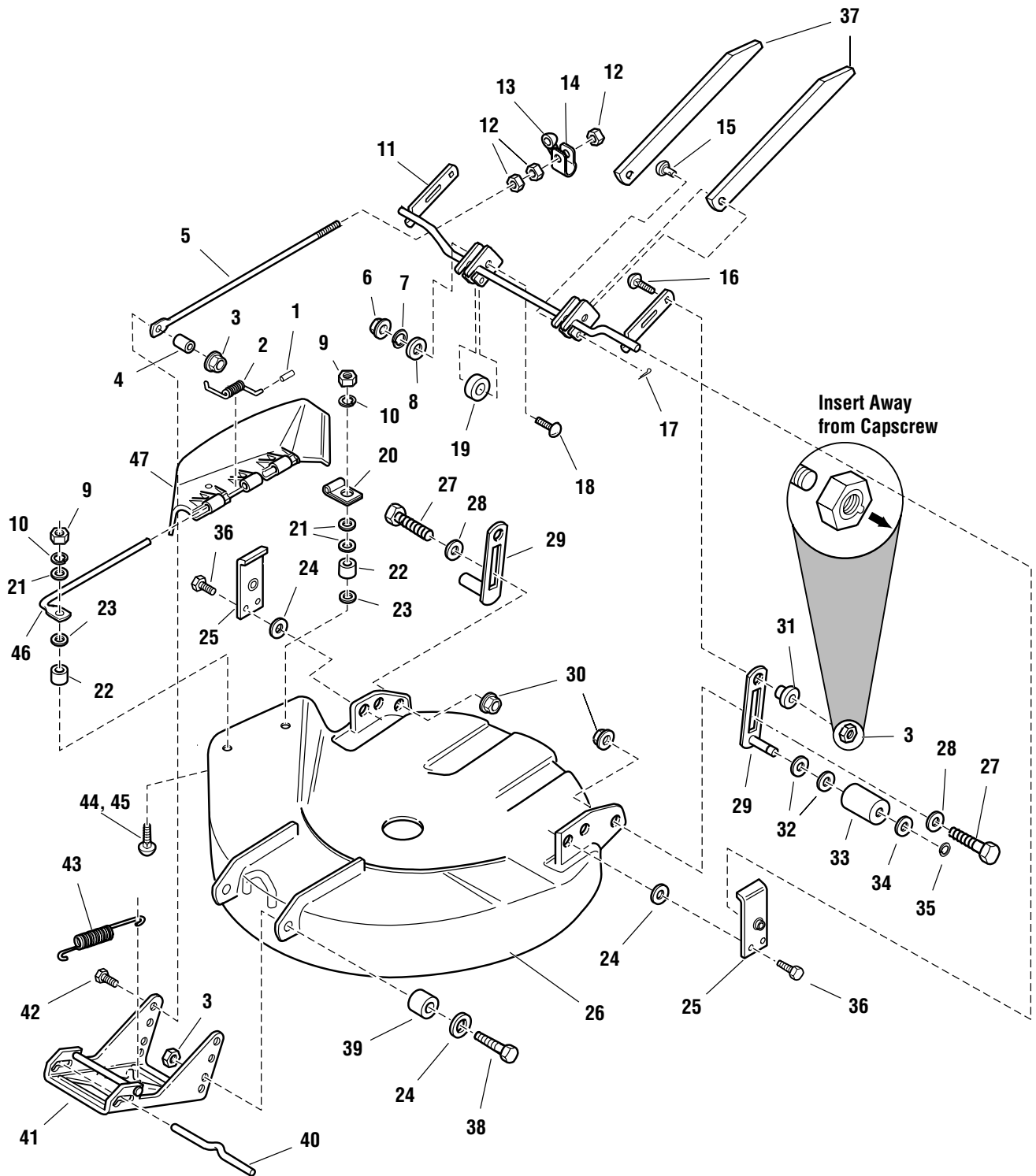
1692543 - 30" Mower

1694053 - 30" Mower

30" Mower Deck - Housing, Hitch & Height Adjustment

984421

NOTE: Unless noted otherwise,
use the standard hardware torque
specification chart.



The above parts group applies to the following Mfg. Nos.:

1692543 - 30" Mower

1694053 - 30" Mower

30" Mower Deck - Housing, Hitch & Height Adjustment

REF NO	PART NO.	QTY.	DESCRIPTION
43	2156302	1	SPRING
44	1931317	2	CARRIAGE BOLT, 1/4-20 x 3/4
45	1931320	2	CARRIAGE BOLT, 1/4-20 x 1-1/4 (Export)
46	1664947	1	ROD, Deflector
47	1705449	1	DEFLECTOR, Plastic

Footnotes

The above parts group applies to the following Mfg. Nos.:

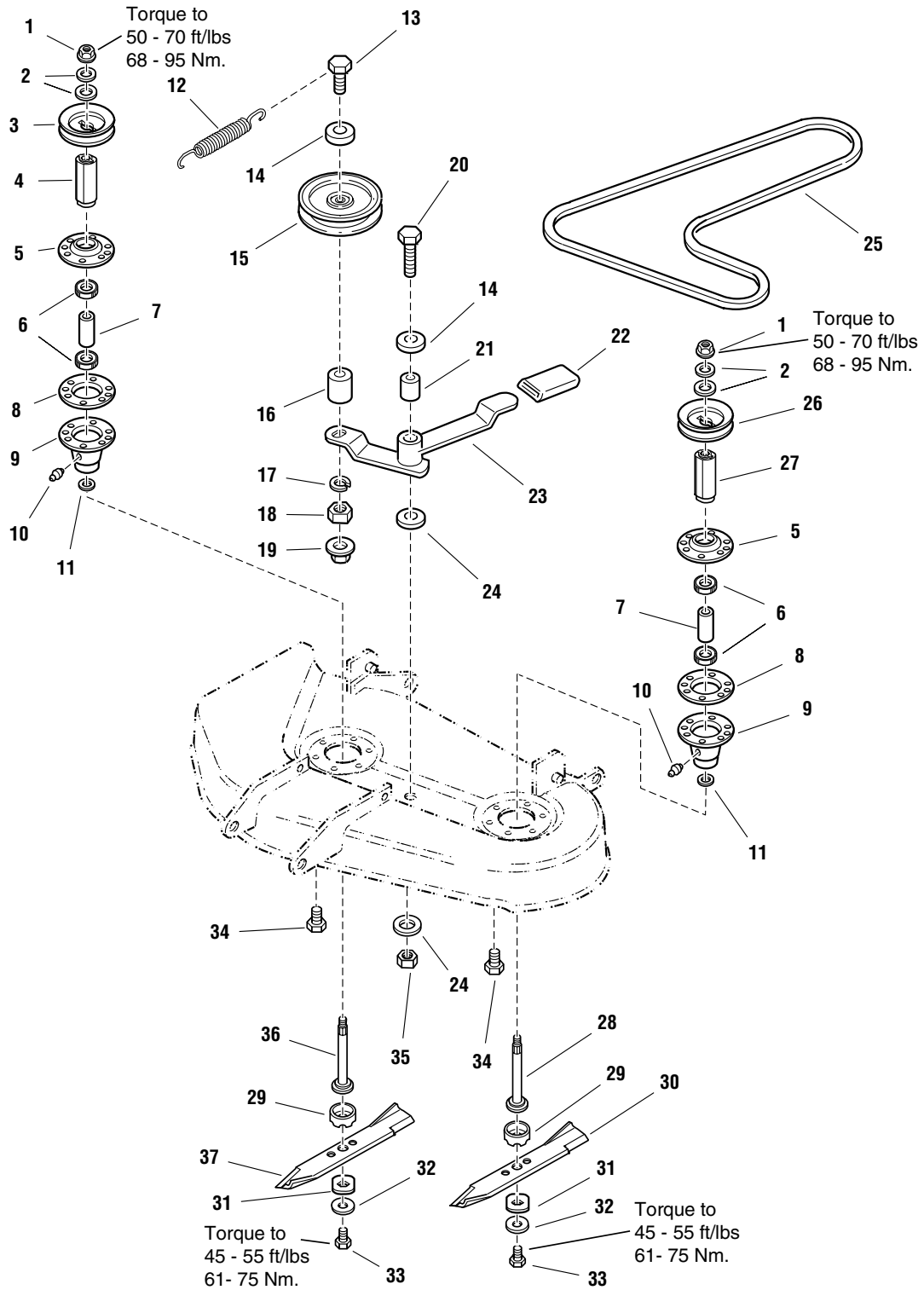
1692543 - 30" Mower

1694053 - 30" Mower

34" Mower Deck - Drive & Arbor

984826

NOTE: Unless noted otherwise, use the standard hardware torque specification chart.



The above parts group applies to the following Mfg. Nos.:

1692545 - 34" Mower

34" Mower Deck - Drive & Arbor

REF NO	PART NO.	QTY.	DESCRIPTION
1	1714419	2	NUT, Hex, Flange, 9/16-18
2	1713675	4	WASHER, Belleville
3	1713091	1	PULLEY, 5"
4	1713614	1	HUB, Pulley, 1-35/64"
5	1713199A	2	COVER, Arbor Housing ASSEMBLY
6	1705897	4	BEARING
7	1713204	2	SPACER
8	1707335	2	GASKET, Foam
9	1713338	2	ARBOR HOUSING ASSEMBLY, (Includes Ref. No. 10)
10	1704314	2	FITTING, Grease
11	1713619	2	WASHER
12	2164213	1	SPRING
13	1921972	1	CAPSCREW, 3/8-16 x 2-1/2
14	1924940	2	WASHER, Flat, 3/8
15	1704926	1	PULLEY, Idler, Backside
16	1667812	1	SPACER
17	1916965	1	LOCKWASHER, 3/8
18	1916950	1	NUT, Hex, 3/8-16
19	1930645	1	NUT, Hex, Flange, Lock, 3/8-16
20	1928957	1	CAPSCREW, Hex Head, 3/8-16 x 2-3/4
21	1657242	1	SPACER
22	1665835	1	GRIP, Lever
23	1708561	1	LEVER ASSEMBLY
24	1924356	2	WASHER, Flat, 3/8
25	1719819	1	V-BELT
26	1713090	1	PULLEY, 3-3/4"
27	1713613	1	HUB, Pulley, 1-3/16"
28	1713609	1	SHAFT, Arbor, 5-53/64"
29	1713196	2	SHIELD, Grass, Lower
30	1706737A	1	BLADE, 14-27/64"
31	1713089	2	WASHER, Hex
32	1656916	2	WASHER, Spring
33	2823471	2	CAPSCREW, Hex Head, 7/16-14 x 1-1/4, GR 8
34	1664847	12	CAPSCREW Taptite, 5/16-18 x 3/4
35	1928352	1	NUT, Hex, 3/8-16
36	1713610	1	SHAFT, Arbor, 6-33/64"
37	1706738A	1	BLADE, 19-29/32"

Footnotes

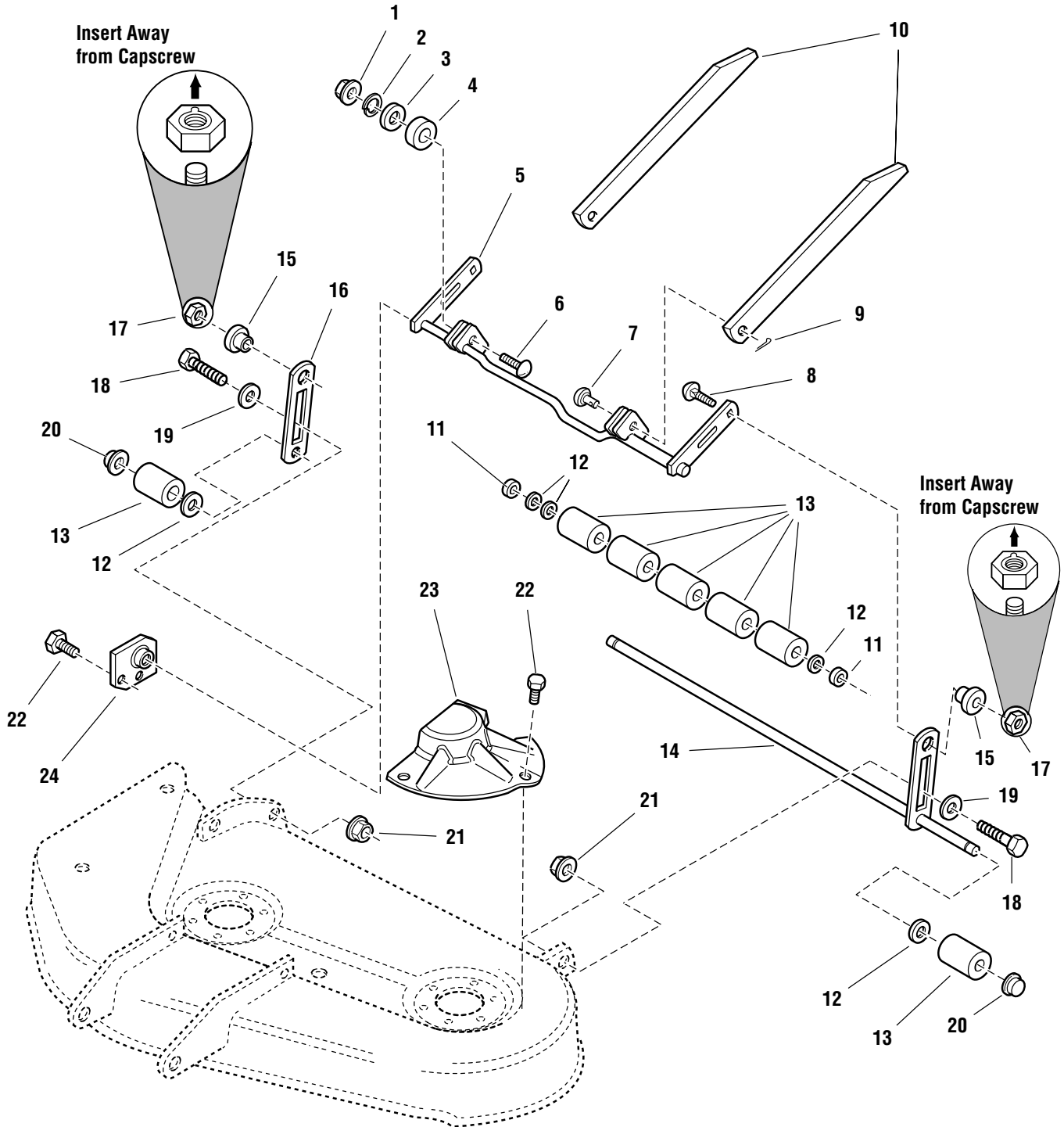
The above parts group applies to the following Mfg. Nos.:

1692545 - 34" Mower

34" Mower Deck - Height Adjustment

NOTE: Unless noted otherwise, use the standard hardware torque specification chart.

J984418



The above parts group applies to the following Mfg. Nos.:
1692545 - 34" Mower

34" Mower Deck - Height Adjustment

REF NO	PART NO.	QTY.	DESCRIPTION
1	1917372	1	NUT, Hex, 5/16-18
2	1917356	2	LOCKWASHER, 5/16
3	1919326	2	WASHER
4	1704716	2	SPACER
5	1707286A	1	ARM ASSEMBLY
6	1960223	2	CARRIAGE BOLT, 5/16-18 x 1-1/4
7	1655651	2	PIN, Locking
8	1931352	2	CARRIAGE BOLT, 3/8-16 x 1-1/2
9	1960074	2	CLIP, Hair Pin
10	1709209A	2	BAR, Mower Transport
11	1602946	2	SPACER, Roller
12	1924366	5	WASHER, Flat, 5/8
13	1668513	7	ROLLER
14	1686682	1	SHAFT ASSEMBLY, Roller (Includes Ref. 20)
15	1704082	2	NUT, Adjustment
16	1708564A	1	PLATE, Support, RH
17	2860641	2	NUT, Hex Alum Lock, 3/8
18	2172622	2	BOLT, Shoulder, 3/8-16
19	1924361	2	WASHER, Flat, 1/2
20	1960520	2	NUT, Push
21	1928352	2	NUT, Flange Lock, 3/8
22	1664847	5	CAPSCREW, Taptite, 5/16-18 x 5/8
23	1707567	1	COVER, Arbor
24	1708564A	1	PLATE, Support

Footnotes

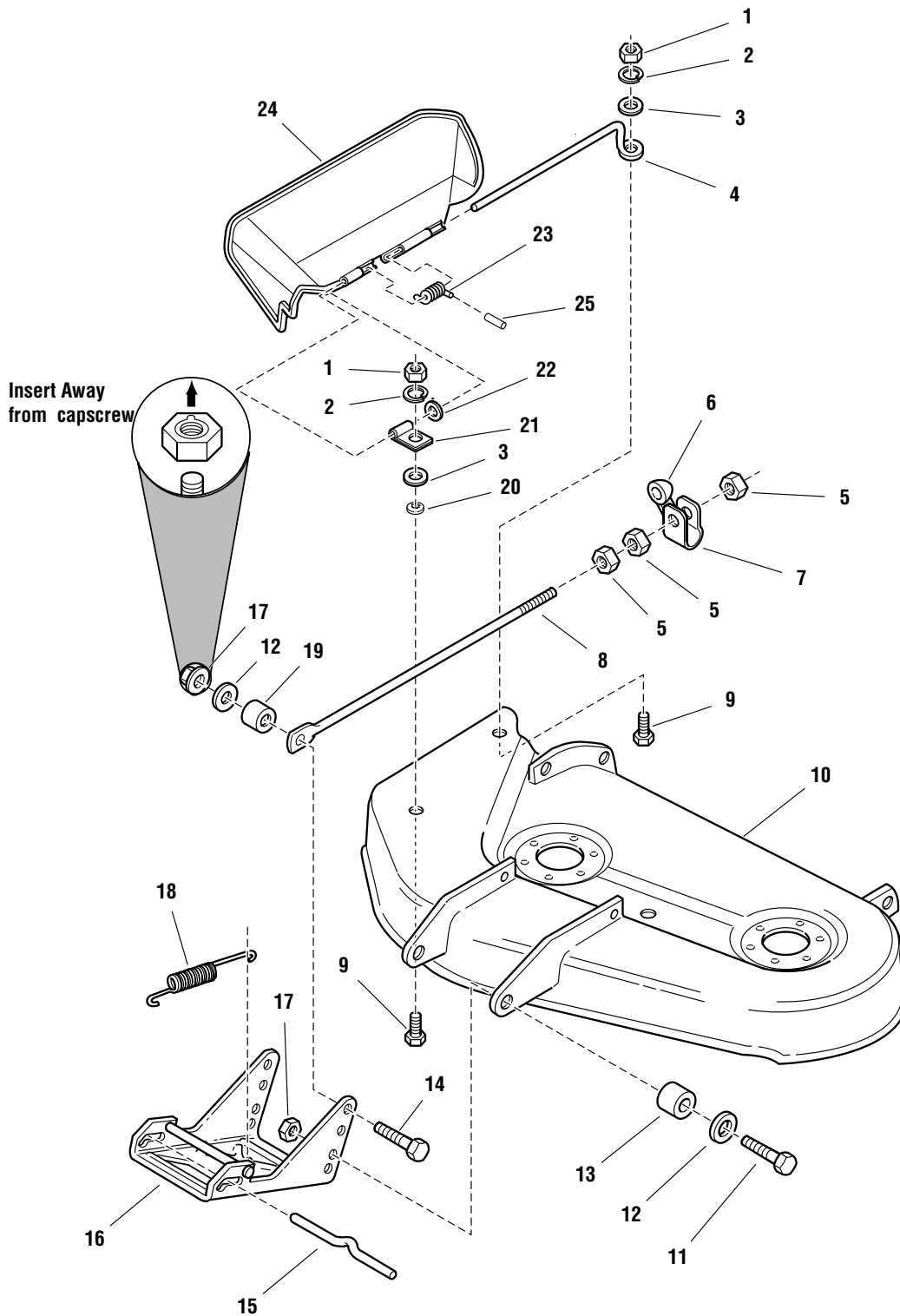
The above parts group applies to the following Mfg. Nos.:

1692545 - 34" Mower

34" Mower Deck - Housing, Hitch & Deflector

984418

NOTE: Unless noted otherwise,
use the standard hardware torque
specification chart.



The above parts group applies to the following Mfg. Nos.:
1692545 - 34" Mower

34" Mower Deck - Housing, Hitch & Deflector

REF NO	PART NO.	QTY.	DESCRIPTION
1	1916622	2	NUT, Hex, 1/4-20
2	1916964	2	LOCKWASHER, 1/4
3	1960353	2	WASHER, Flat, 17/64 x 27/32 x 1/8
4	1706709A	1	ROD, Deflector
5	1913744	3	JAMNUT, Hex, 1/2-13
6	1671260	1	SPACER
7	1707280A	1	TRUNNION
8	1707300	1	ROD, Adustment
9	1931318	2	CARRIAGE BOLT, 1/4-20 X 7/8
10	1685672	1	HOUSING ASSEMBLY, 34" (Orange)
10	1687137	1	HOUSING ASSEMBLY, 34" (Black)
11	1920415	2	CAPSCREW, Hex Head, 3/8-16 x 1-1/4
12	1924940	3	WASHER, Flat, 3/8
13	2157081	2	SPACER
14	1921210	1	CAPSCREW, Hex Head, 3/8-16 x 1
15	1715759	1	ROD, Latch, Hitch
16	1707432A	1	HITCH ASSEMBLY
17	2860641	3	NUT, Hex Lock, Alm Insert, 3/8-16
18	2156302	1	SPRING
19	1611705	1	SPACER
20	1960518	1	PUSHNUT
21	1704873	1	CLAMP
22	1919326	1	WASHER
23	1705080	1	SPRING
24	1705449	1	DEFLECTOR, Plastic
25	1723323	1	CAP, Spring End

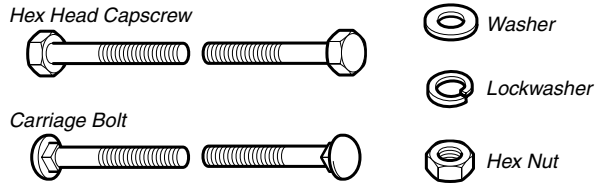
Footnotes

The above parts group applies to the following Mfg. Nos.:

1692545 - 34" Mower

Hardware Identification & Torque Specifications

Common Hardware Types

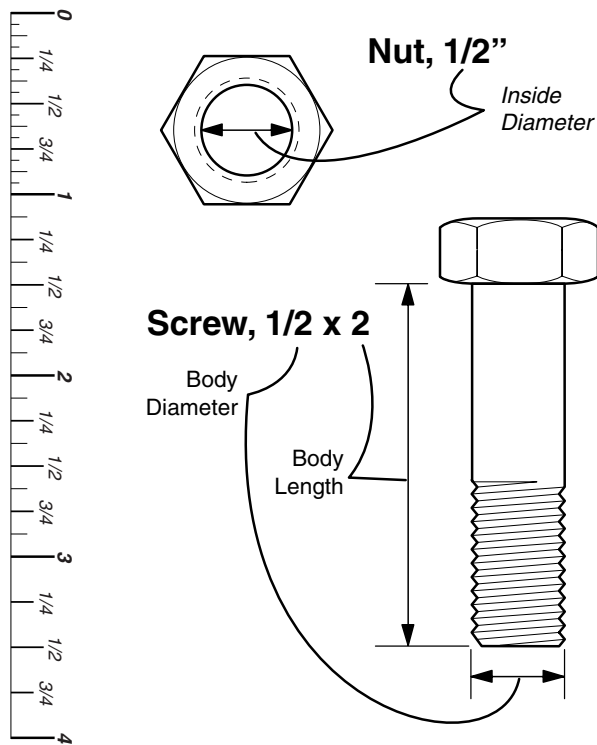


Standard Hardware Sizing

When a washer or nut is identified as 1/2", this is the *Nominal size*, meaning the *inside diameter* is 1/2 inch; if a second number is present it represents the *threads per inch*

When bolt or capscrew is identified as 1/2 - 16 x 2", this means the *Nominal size*, or *body diameter* is 1/2 inch; the second number represents the *threads per inch* (16 in this example, and the final number is the *body length* of the bolt or screw (in this example 2 inches long).

The guides and ruler furnished below are designed to help you select the appropriate hardware and tools.



Torque Specification Chart

FOR STANDARD MACHINE HARDWARE (Tolerance ± 20%)

Hardware Grade	No Marks SAE Grade 2		SAE Grade 5		SAE Grade 8	
	in/lbs ft/lbs	Nm.	in/lbs ft/lbs	Nm.	in/lbs ft/lbs	Nm.
8-32	19	2.1	30	3.4	41	4.6
8-36	20	2.3	31	3.5	43	4.9
10-24	27	3.1	43	4.9	60	6.8
10-32	31	3.5	49	5.5	68	7.7
1/4-20	66	7.6	8	10.9	12	16.3
1/4-28	76	8.6	10	13.6	14	19.0
5/16-18	11	15.0	17	23.1	25	34.0
5/16-24	12	16.3	19	25.8	27	34.0
3/8-16	20	27.2	30	40.8	45	61.2
3/8-24	23	31.3	35	47.6	50	68.0
7/16-14	30	40.8	50	68.0	70	95.2
7/16-20	35	47.6	55	74.8	80	108.8
1/2-13	50	68.0	75	102.0	110	149.6
1/2-20	55	74.8	90	122.4	120	163.2
9/16-12	65	88.4	110	149.6	150	204.0
9/16-18	75	102.0	120	163.2	170	231.2
5/8-11	90	122.4	150	204.0	220	299.2
5/8-18	100	136	180	244.8	240	326.4
3/4-10	160	217.6	260	353.6	386	525.0
3/4-16	180	244.8	300	408.0	420	571.2
7/8-9	140	190.4	400	544.0	600	816.0
7/8-14	155	210.8	440	598.4	660	897.6
1-8	220	299.2	580	788.8	900	1,244.0
1-12	240	326.4	640	870.4	1,000	1,360.0

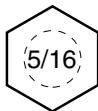
NOTES

- These torque values are to be used for all hardware excluding: locknuts, self-tapping screws, thread forming screws, sheet metal screws and socket head setscrews.
- Recommended seating torque values for locknuts:
 - for prevailing torque locknuts - use 65% of grade 5 torques.
 - for flange whizlock nuts and screws - use 135% of grade 5 torques.
- Unless otherwise noted on assembly drawings, all torque values must meet this specification.

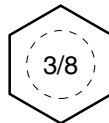
Wrench & Fastener Size Guide



1/4" Bolt or Nut
Wrench—7/16"



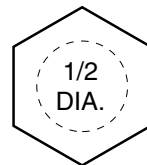
5/16" Bolt or Nut
Wrench—1/2"



3/8" Bolt or Nut
Wrench—9/16"



7/16" Bolt or Nut
Wrench (Bolt)—5/8"
Wrench (Nut)—11/16"



1/2" Bolt or Nut
Wrench—3/4"

Simplicity

MANUFACTURING, INC.
500 N. Spring Street / PO Box 997
Port Washington, WI 53074-0997 USA

www.simplicitymfg.com

© Copyright 2005 Simplicity Manufacturing, Inc.
All Rights Reserved. Printed In USA.

