

Prestige

Series Garden Tractors & Mower Decks

27HP Product

Mfg. No.	Description
1695264	Prestige, 27HP Hydro 4WD w/PS RMO
2690680	Prestige, 27HP Hydro 4WD w/PS RMO and 50" Mower Deck
2690681	Prestige, 27HP Hydro 4WD w/PS RMO and 54" Mower Deck

Mower Decks

Mfg. No.	Description
1695294	50" Mower Deck
1695266	54" Mower Deck

Not for
Reproduction

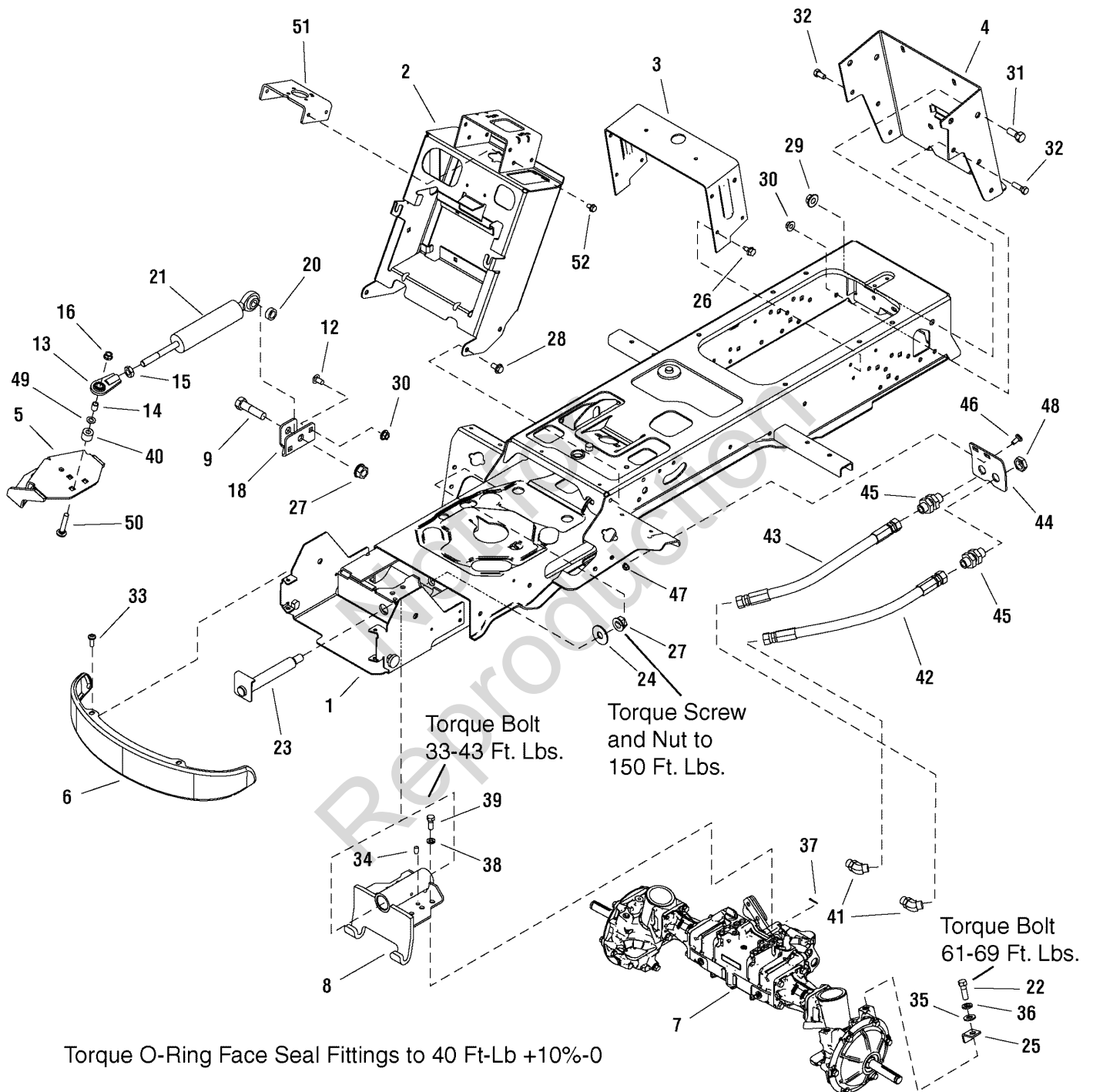
PRODUCT COMPONENTS	PAGES
Frame & Front Axle Group - 4WD	4
Steering Group - Tilt Steering	8
Engine & Electric Clutch Group - 23HP, 25HP & 27HP Kohler	10
Transmission Group	12
Transaxle SERVICE PARTS - Tuff Torq KXH10NC	16
Controls Group	22
Cruise Control Group	24
Electrical Group	26
Hood, Grille & Dash Group	28
Seat & Seat Deck Group	30
Lift Group - Hydraulic Lift with Power Steering	32
Lift Group - Hydraulic Lift with Power Steering	36
Wheels & Tires Group	40
Decals Group	42
44" & 50" Mower Deck - Clutch & Support Group	44
50" Mower Deck - Electric Height Adjustment & Roller Bar Group	46
50" Mower Deck - Housing, Arbors & Blades Group	50
54" Mower Deck - Clutch & Support Group	56
54" Mower Deck - Electric Height Adjustment & Roller Bar Group	58
54" Mower Deck - Housing & Arbor Group	62
Torque Specification Chart	Inside Back Cover

Not for
Reproduction

Frame & Front Axle Group - 4WD

987590

NOTE: Unless noted otherwise,
use the standard hardware torque
specification chart.



The above parts group applies to the following Mfg. Nos.:

- 1695264 - Prestige
- 2690680 - Prestige
- 2690681 - Prestige

Frame & Front Axle Group - 4WD

REF NO	PART NO.	QTY.	DESCRIPTION
1	1734731ASM	1	FRAME ASSEMBLY, Front & Rear 4WD
2	1733139ASM	1	TOWER & SUPPORT ASSEMBLY
3	1723528ASM	1	SUPPORT, Seat Deck
4	1722602ASM	1	BACKPLATE, Hitch
5	1733918ASM	1	BRACKET ASSEMBLY, Steering 4WD
6	1721805ASM	1	BUMPER, 4GA
7	1733480SM	1	AXLE ASSEMBLY, Front
8	1734241ASM	1	PIVOT ASSEMBLY, Axle w/Bushings
9	1960755SM	1	CAPSCREW, Hex Head, 5/8-11 x 2-1/2 G5
12	1931348SM	2	CARRIAGE BOLT, 3/9-16 x 3/4 G5
13	1702779SM	1	JOINT, Ball 1/2-20
14	1708236SM	1	SPACER
15	1919262SM	1	NUT, Hex Jam, 1/2-20
16	1930645SM	1	NUT, Hex Flange, 3/8-16 Two-Way Lock
18	1733166ASM	1	BRACKET, Cylinder Mounting
20	2172914SM	1	SPACER
21	1733759SM	1	CYLINDER, Hydraulic Steering
22	197487SM	3	CAPSCREW, Hex Head, M12-1-3/4 x 35
23	1733863SM	1	SHAFT & BRACKET ASSEMBLY, Axle Pivot
24	1960035SM	2	WASHER, 5/8
25	1734511ASM	1	STOP, "L" Steering
26	1664847SM	4	SCREW, Hex Washer Head Taptite, 5/16-18 x 3/4
27	2860646SM	2	NUT, Hex Flange 5/8-11 Two-Way Lock
28	1923683SM	4	SCREW, Hex Washer head, Taptite, 3/8-16 x 3/4
29	2860668SM	2	NUT, Hex Flange 1/2-13 Whiz Lock
30	1928352SM	4	NUT, Hex Flange 3/8-16 Whiz Lock
31	1923114SM	2	CAPSCREW, Hex Head 1/2-13 x 1 G5
32	1921210SM	2	CAPSCREW, Hex Head 3/8-16 x 1 G5
33	1960086SM	4	SCREW, Truss Head Torx Drive 5/16-18 x 7/8
34	1733581SM	2	PIN, Dowel
35	1960170SM	3	WASHER, 1/2
36	1916966SM	3	LOCKWASHER, Spring
37	1923360SM	1	PIN, Cotter
38	1960754SM	6	LOCKWASHER, Spring
39	1950036SM	6	CAPSCREW, Hex Head
40	1667812SM	1	SPACER, Powdered Metal
41	1733403SM	2	FITTING, Hose Elbow, 45 Degrees, 13/16-16 x 3/4-16
42	1733400SM	1	HOSE ASSEMBLY, Hydraulic
43	1737063SM	1	HOSE ASSEMBLY, Hydraulic
44	1733501ASM	1	BRACKET, Hose Mounting 10GA
45	1733402SM	2	FITTING, Bulkhead Union 13/16-16
46	1931333SM	2	CARRIAGE BOLT, 5/16-18 x 3/4 G5
47	1960636SM	2	NUT, Hex KEPS, 5/16-18

Footnotes

The above parts group applies to the following Mfg. Nos.:

1695264 - Prestige

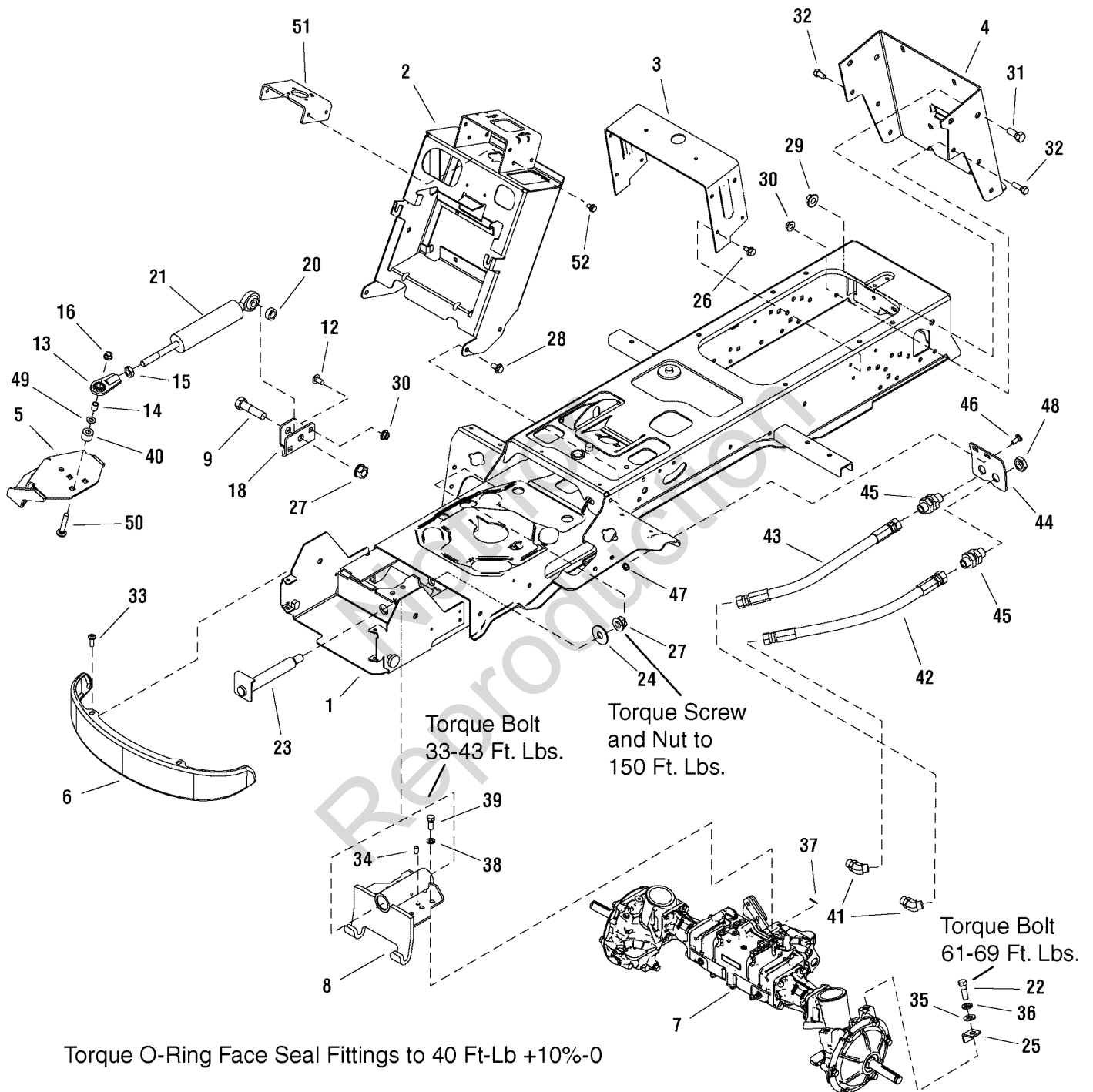
2690680 - Prestige

2690681 - Prestige

Frame & Front Axle Group - 4WD

987590

NOTE: Unless noted otherwise,
use the standard hardware torque
specification chart.



The above parts group applies to the following Mfg. Nos.:

- 1695264 - Prestige
- 2690680 - Prestige
- 2690681 - Prestige

Frame & Front Axle Group - 4WD

REF NO	PART NO.	QTY.	DESCRIPTION
48	1733947SM	2	NUT, Jam 13/16-16
49	1960103SM	1	WASHER, 3/8
50	1931355SM	1	CARRIAGE BOLT, 3/8-16 x 2-1/4 G5
51	1733044ASM	1	SUPPORT, Steering Unit 7GA
52	1924856SM	4	SCREW, Hex Washer Head Taptite 5/16-18 x 1/2

Not for
Reproduction

Footnotes

The above parts group applies to the following Mfg. Nos.:

1695264 - Prestige

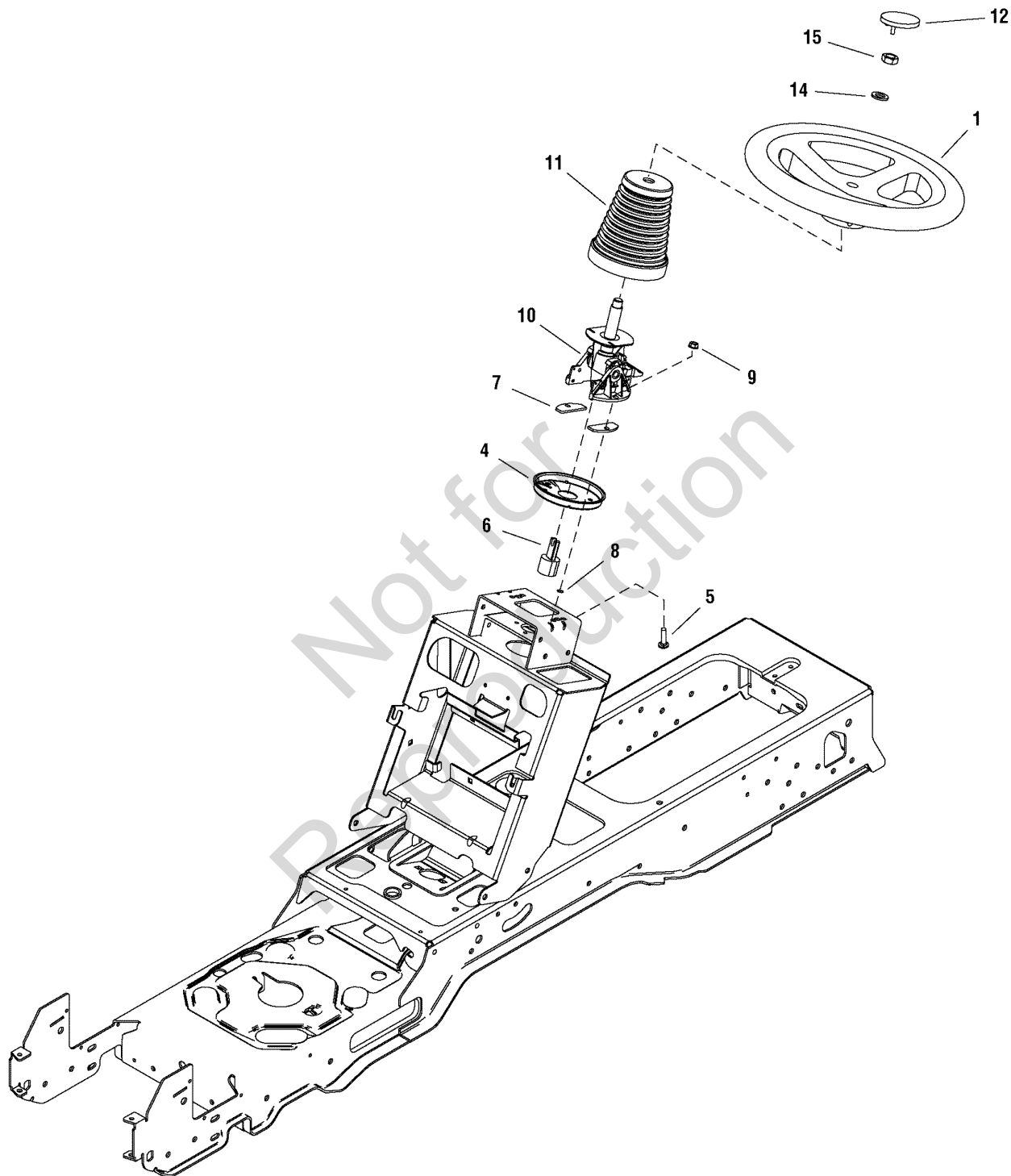
2690680 - Prestige

2690681 - Prestige

Steering Group - Tilt Steering

987424

NOTE: Unless noted otherwise,
use the standard hardware torque
specification chart.



The above parts group applies to the following Mfg. Nos.:

1695264 - Prestige

2690680 - Prestige

2690681 - Prestige

Steering Group - Tilt Steering

REF NO	PART NO.	QTY.	DESCRIPTION
1	1733363SM	1	STEERING WHEEL
4	1724685ASM	1	PLATE, Steering Mounting
5	1960655SM	2	CARRIAGE BOLT, 5/16-18 x 1-1/4 G5
6	1725294SM	1	ADAPTER, Tilt
7	1723898SM	2	SPACER
8	1933988SM	2	NUT, Push Pal
9	1960636SM	2	NUT, Hex Keps 5/16-18
10	1734002SM	1	STEERING UNIT, Tilt
11	1724368SM	1	BELLOWS, Tilt Steering Unit w/Slot
12	1725024SM	1	CAP, Steering Wheel
13	1716518SM	2	DECAL, Power Steering (Not Shown)
15	1960576SM	1	NUT, Hex Lock ESNA Light 5/8-18

Not for
Reproduction

Footnotes

The above parts group applies to the following Mfg. Nos.:

1695264 - Prestige

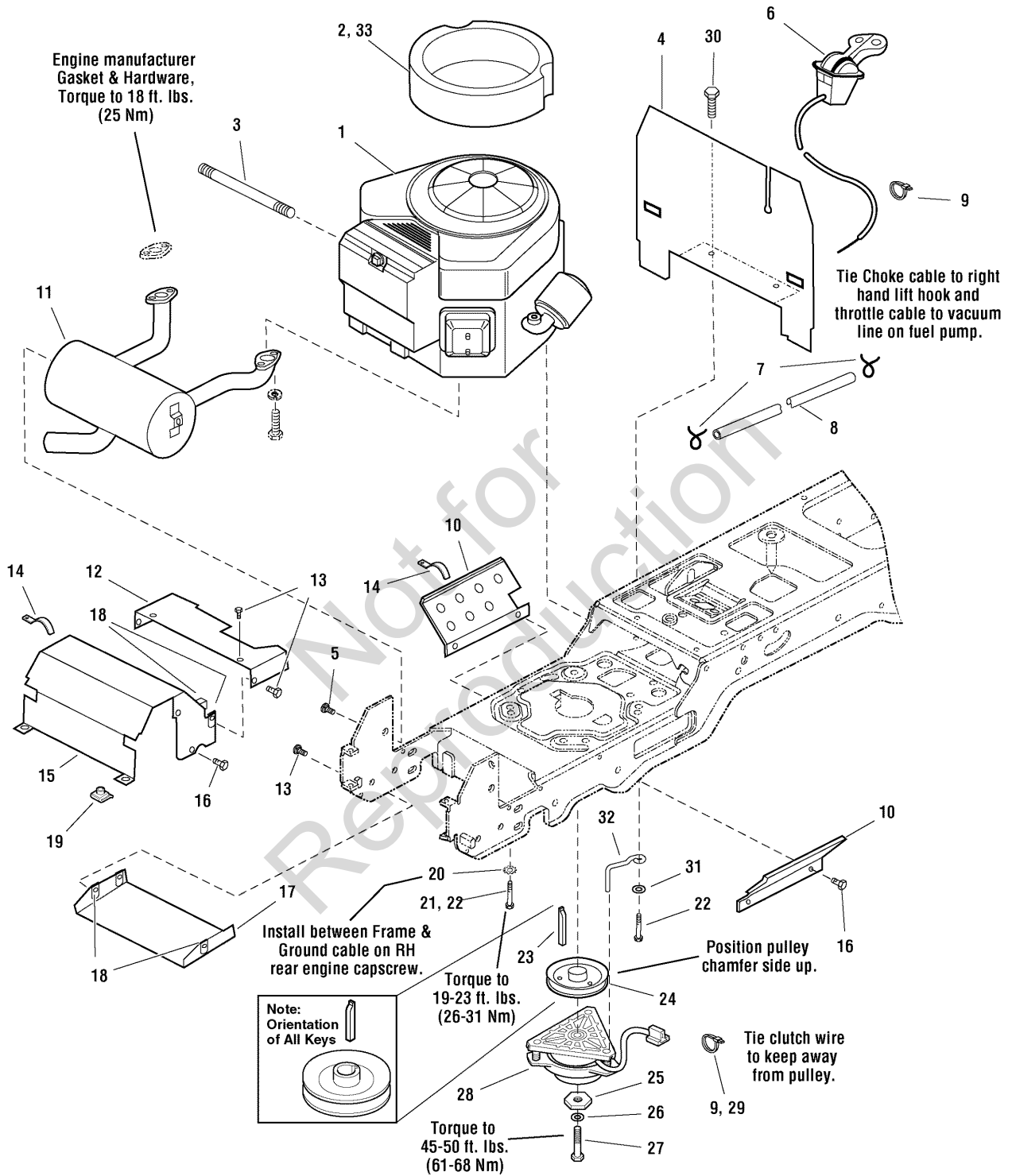
2690680 - Prestige

2690681 - Prestige

Engine & Electric Clutch Group - 23HP, 25HP & 27HP Kohler

985906

NOTE: Unless noted otherwise, use the standard hardware torque specification chart.



The above parts group applies to the following Mfg. Nos.:

- 1695264 - Prestige
- 2690680 - Prestige
- 2690681 - Prestige

Engine & Electric Clutch Group - 23HP, 25HP & 27HP Kohler

REF NO	PART NO.	QTY.	DESCRIPTION
1	*	1	ENGINE, 23HP Kohler Command - Model CV23S Spec PS-75553
1	*	1	ENGINE, 25HP Kohler Courage Twin - Model SV730S Spec PS-SV730-0020
1	*	1	ENGINE, 25HP Kohler Command Twin - Model CV730S
1	*	1	ENGINE, 27HP Kohler Command Twin - Model CV740S Spec PS-CV740-0040
2	1719847SM	1	SEAL, Foam (Only used on 23HP Models)
3	1723165SM	1	HOSE, Oil Drain
4	1722388ASM	1	BULKHEAD
5	1924856SM	2	SCREW, Hex Washer Head Taptite 5/16-18 x 1/2
6	1727223SM	1	CONTROL, Throttle Double 39.0 LG w/Knobs (Used on all models except 25HP Kohler Courage)
6	1727375SM	1	THROTTLE, Control Double 51.0 LG w/Knobs (Only used on 25HP Kohler Courage)
7	2860112SM	1	CLAMP, Hose
8	1718678SM	1	HOSE, Fuel
9	1701011SM	3	TIE, Self Locking
10	1722392ASM	2	SHIELD, Side
11	1721705SM	1	MUFFLER, Kohler Twin
12	1722390ASM	1	DUCT, Muffler (Used on all models except 25HP Kohler Courage)
12	1733884ASM	1	DUCT, Muffler (Only used on 25HP Kohler Courage)
13	1960295SM	4	SCREW, Hex Whiz Lock Flange 1/4-20 x 5/8
14	2834683SM	2	CLIP, Speed Wire
15	1722389ASM	1	DUCT, Muffler Top
16	1927428SM	8	SCREW, Hex Washer Head Taptite 1/4-20 x 3/8
17	1722414ASM	1	SHIELD, Muffler
18	1960368SM	4/8	NUT, Speed 1/4-20 Lug Type
19	1935255SM	2	NUT, Speed 5/16-18 Lug Type
20	2820427SM	1	LOCKWASHER, External Tooth 3/8
21	2827187SM	3/4	SCREW, Hex Washer Head Taptite 3/8-16 x 1 (Used only on 25HP Courage & 27HP Command)
22	2830598SM	1/4	SCREW, Hex Washer Head Taptite 3/8-16 x 1-1/2 (Used on all models except 27HP)
23	1720463SM	1	KEY, Hi-Pro
24	1722288SM	1	PULLEY & HUB ASMY
25	1708264SM	1	WASHER, Hex
26	1918199SM	1	LOCKWASHER, Spring
27	1960649SM	1	CAPSCREW, Hex Head 7/16-20 x 3-1/2 G5
28	1686883SM	1	CLUTCH, Electric
29	2832747SM	1	TIE, Self Locking (Used only on 23HP models)
30	1925003SM	2	SCREW, Hex Washer Head Taptite 1/4-20 x 1/2
31	1924940SM	1	WASHER, 3/8 (Used on all models except 23HP)
32	1732026SM	1	RETAINER, Clutch (Used on all models except 23HP)
33	1734166SM	1	EDGING, Rubber (Used on all models except 23HP)

Footnotes

Note * See your local Kohler distributor for parts and service.

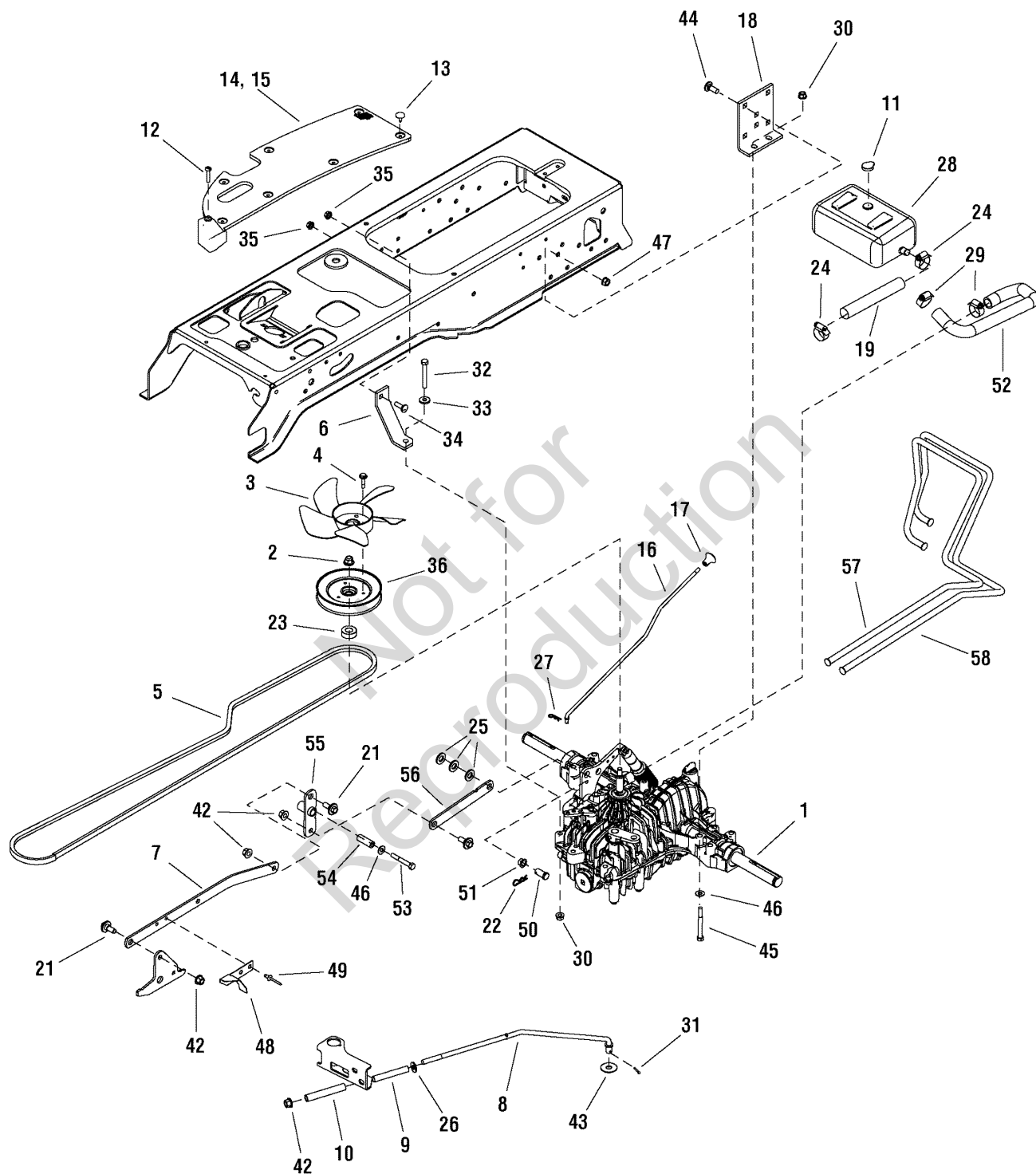
The above parts group applies to the following Mfg. Nos.:

1695264 - Prestige
 2690680 - Prestige
 2690681 - Prestige

Transmission Group

987547

NOTE: Unless noted otherwise,
use the standard hardware torque
specification chart.



The above parts group applies to the following Mfg. Nos.:

- 1695264 - Prestige
- 2690680 - Prestige
- 2690681 - Prestige

Transmission Group

REF NO	PART NO.	QTY.	DESCRIPTION
1	1733478SM	1	TRANSMISSION ASSEMBLY, K664
2	1722194SM	1	PULLEY & HUB ASSEMBLY
3	1719233SM	1	FAN
4	1933958SM	3	SCREW, Hex Washer Head, Taptite, 1/4-20 x 1-1/4
5	1721392SM	1	BELT, 94.05
6	1721593ASM	1	STRAP, 4-1/4 Long
7	1733318ASM	1	ARM, Control 7GA
8	1721424SM	1	ROD, 17-27/64 Long
9	1722684SM	1	SPRING, Compression
10	1729277SM	1	SPRING, Compression
11	1722711SM	1	CAP, Expansion
12	1960676SM	2	SCREW, Pan Head Torx, 1/4-20 x 1-1/4 Taptite
13	1704351SM	15	FASTENER, Panel
14	1722174SM	1	PAD, Footrest L.H.
15	1722173SM	1	PAD, Footrest R.H.
16	1721622SM	1	ROD, Free Wheel
17	1723126SM	1	KNOB, Interior Thread
18	1721728ASM	2	SUPPORT, Transmission
19	1733531SM	1	HOSE, Hydraulic
21	1732129SM	3	BOLT, Shoulder, 3/8-16
22	1960074SM	1	CLIP, Hair Pin
23	1734337SM	1	SPACER
24	2860266SM	1	CLAMP, Hose Worm
25	1960027SM	3	WASHER, 1/2
26	1924940SM	1	WASHER, 3/8
27	1722460SM	1	PIN, Quick
28	1732989SM	1	TANK, Oil Natural
29	1723214SM	2	CLAMP, Hose Worm
30	1960686SM	6	NUT, Hex Flange 5/16-18 ESNA
31	1918447SM	1	COTTER PIN
32	1921719SM	1	CAPSCREW, Hex Head 5/16-18 x 2-1/2 G5
33	1960141SM	1	WASHER, 5/16
34	1931335SM	1	CARRIAGE BOLT, 5/16-18 x 1 G5
35	1960636SM	2	NUT, Hex KEPS 5/16-18
36	1719968SM	1	NUT, Hex Flange
42	1960687SM	4	NUT, Hex Flange 3/8-16 ESNA
43	1918267SM	1	WASHER, 7/16
44	1931350SM	6	CARRIAGE BOLT, 3/8-16 x 1 G5
45	1960590SM	4	CAPSCREW, Hex Head 5/16-18 x 3 G5
46	1919326SM	3	WASHER, 5/16
47	1960637SM	6	NUT, Hex Keps 3/8-16
48	1727215ASM	1	ACTUATOR, Switch
49	1960241SM	2	POP RIVET

Footnotes

The above parts group applies to the following Mfg. Nos.:

1695264 - Prestige

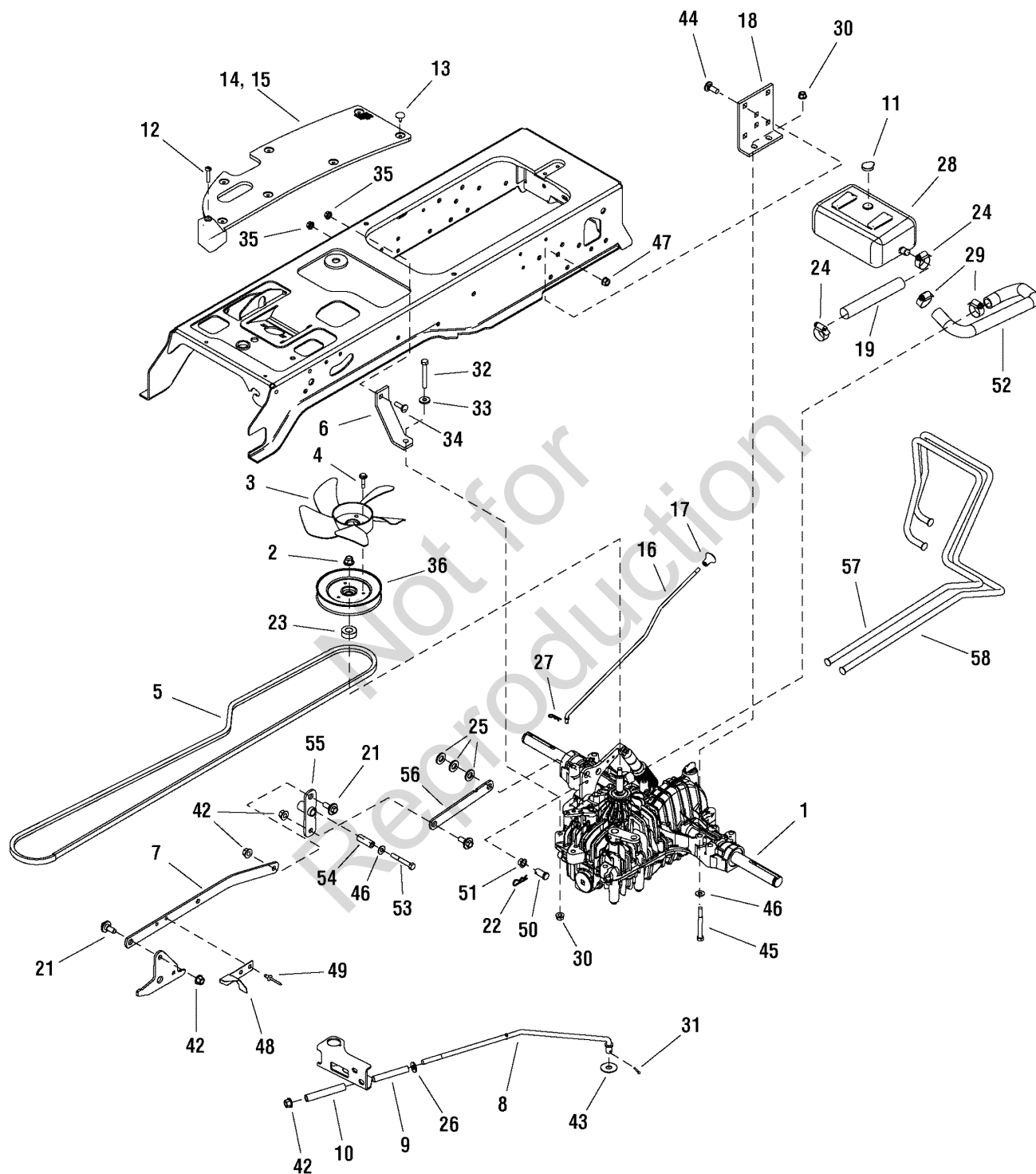
2690680 - Prestige

2690681 - Prestige

Transmission Group

987547

NOTE: Unless noted otherwise,
use the standard hardware torque
specification chart.



The above parts group applies to the following Mfg. Nos.:

- 1695264 - Prestige
- 2690680 - Prestige
- 2690681 - Prestige

Transmission Group

REF NO	PART NO.	QTY.	DESCRIPTION
50	1724107SM	1	PIN, Clevis
51	1722648SM	1	BEARING
52	1722468SM	1	HOSE, Hydraulic
53	1921160SM	1	CAPSCREW, Hex Head, 5/16-18 x 2-1/4 G5
54	1713588SM	1	SPACER
55	1733320ASM	1	PIVOT ASSEMBLY, Control
56	1733525ASM	1	ARM, Control
57	1733483SM	1	TUBE, Hydraulic 4WD
58	1733484SM	1	TUBE, Hydraulic Rear

Not for
Reproduction

Footnotes

The above parts group applies to the following Mfg. Nos.:

1695264 - Prestige

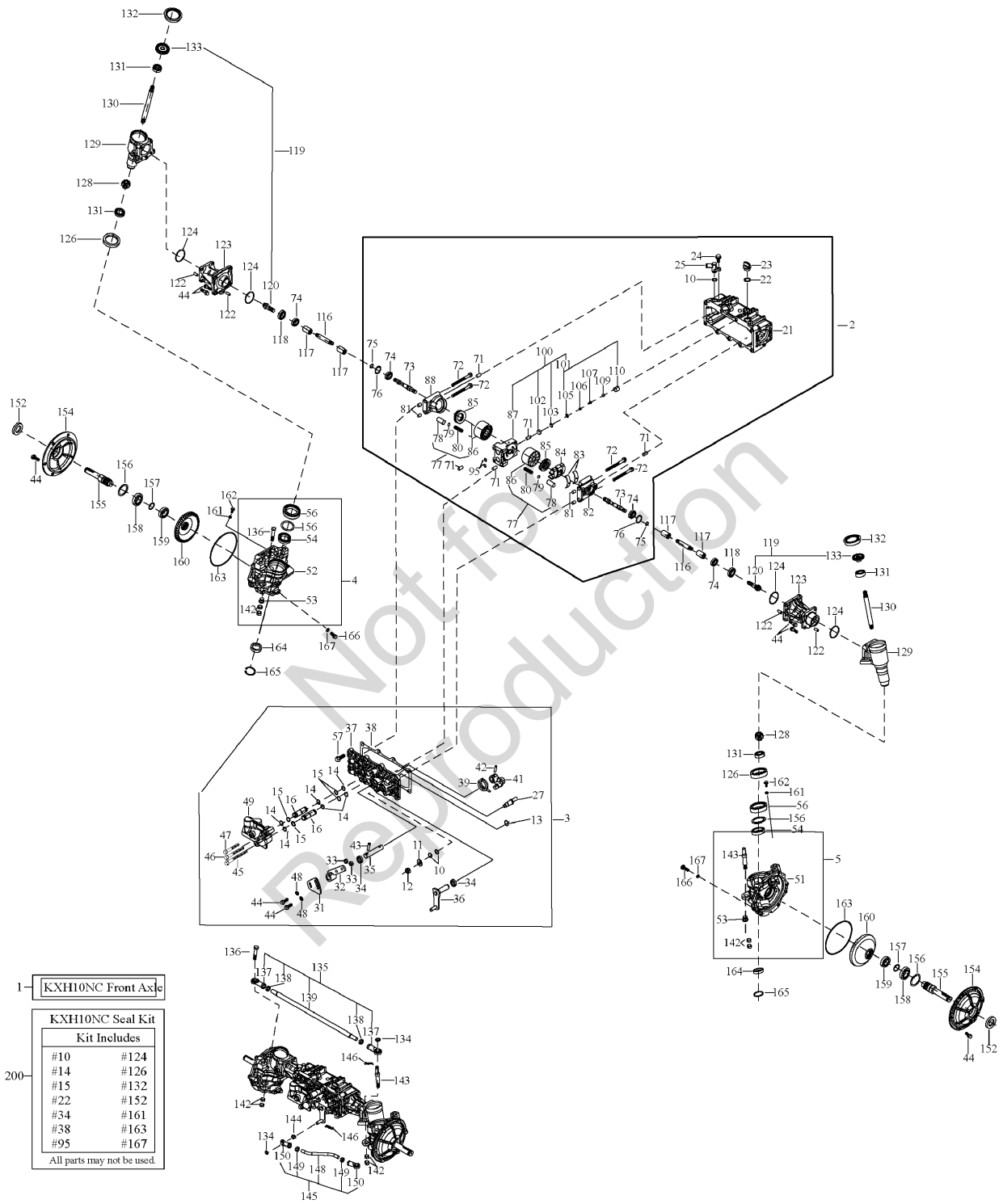
2690680 - Prestige

2690681 - Prestige

Transaxle SERVICE PARTS - Tuff Torq KXH10NC

NOTE: Unless noted otherwise, use the standard hardware torque specification chart.

1733480



The above parts group applies to the following Mfg. Nos.:

- 1695264 - Prestige
- 2690680 - Prestige
- 2690681 - Prestige

Transaxle SERVICE PARTS - Tuff Torq KXH10NC

REF NO	PART NO.	QTY.	DESCRIPTION
1	1733480SM	1	FRONT AXLE
2	*	1	MOTOR KIT 10CC
3	*	1	MOTOR COVER, Complete
4	*	1	FRONT GEAR BOX, Left, Complete
5	*	1	FRONT GEAR BOX, Right, Complete
10	1707879SM	1	O-RING 1A P14
11	1708689SM	1	WASHER 12
12	1708692SM	1	NUT 12
13	1707912SM	1	SNAP RING
14	1735417SM	1	PACKING P 14.0
15	1735418SM	1	BACK-UP RING
16	*	1	JOINT PIPE
21	*	1	FRONT AXLE CASE
22	1707786SM	1	O-RING P18
23	1735419SM	1	OIL CAP 20
24	1724695SM	1	BOLT 8 x 20
25	1735420SM	1	ELBOW
27	*	1	FULCRUM
31	*	1	ADJUST PLATE
32	*	1	CONTROL LEVER
33	1707898SM	1	NUT 8
34	*	1	SEAL TC 162607
35	*	1	CONTROL SHAFT
36	*	1	CAM LEVER
37	*	1	MOTOR COVER
38	1735421SM	1	GASKET COVER
39	*	1	RETURN SPRING
41	*	1	CONTROL ARM
42	1718097SM	1	SPRING PIN 6 x 25
43	*	1	SPRING PIN 6 x32
44	1720867SM	1	BOLT 8 x 25
45	*	1	BOLT 8 x 100
46	*	1	BOLT 8 x 85
47	*	1	BOLT 8 x 65
48	1707896SM	1	WASHER 8
49	*	1	CONNECTING BLOCK
53	*	1	BUSH 12 x 15 x 11.5
54	*	1	BEARING 6906 C3
56	*	1	BEARING 6908 C3
57	*	1	BOLT 10 x 30
71	*	1	PIN 10 x 18
72	1726291SM	1	BOLT 8 x 90
73	*	1	MOTOR SHAFT 10CC

Footnotes

Note* See your local authorized Tuff Torq dealership for parts and warranty or visit TuffTorqServices.com.

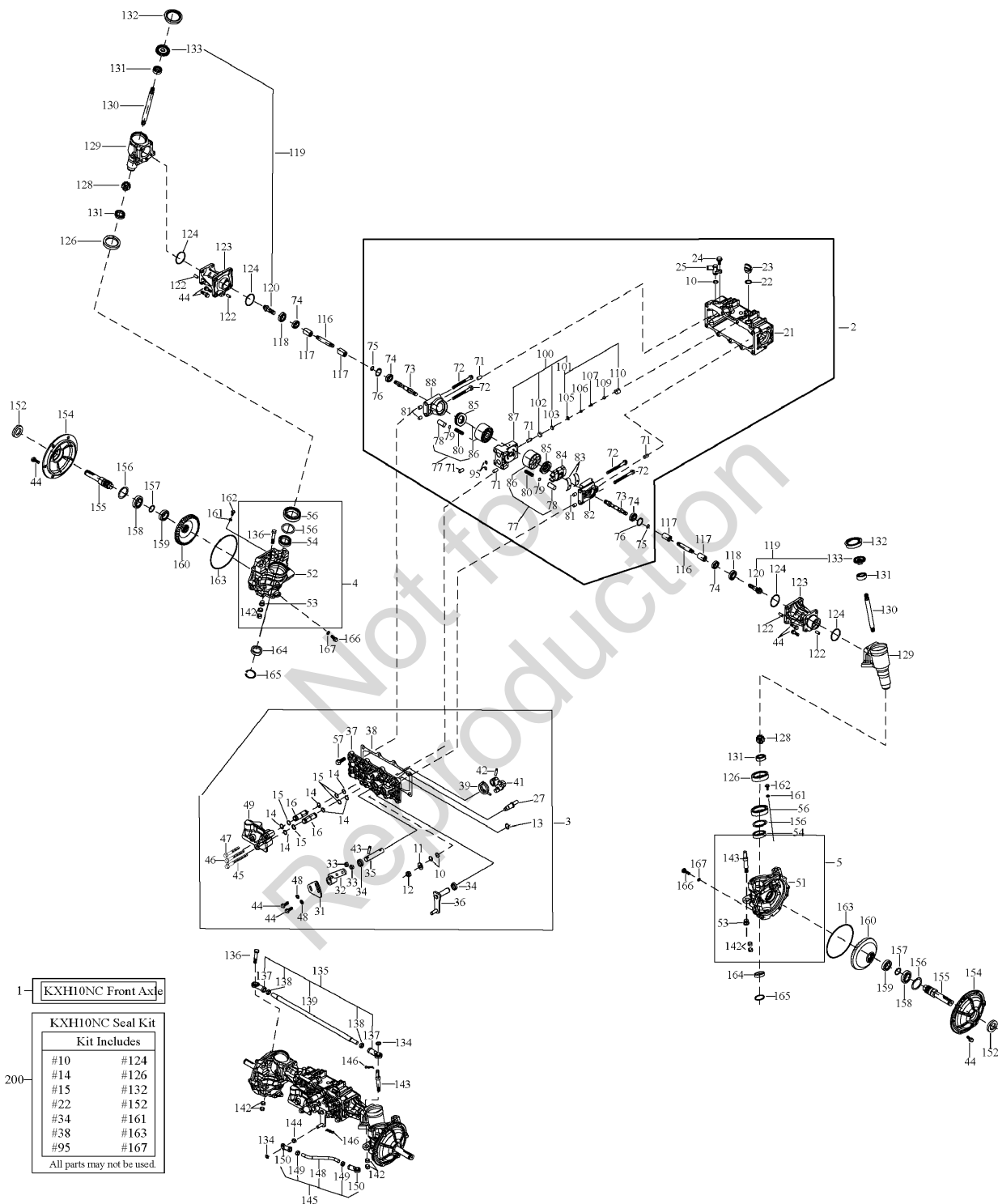
The above parts group applies to the following Mfg. Nos.:

1695264 - Prestige
2690680 - Prestige
2690681 - Prestige

Transaxle SERVICE PARTS - Tuff Torq KXH10NC

NOTE: Unless noted otherwise, use the standard hardware torque specification chart.

1733480



The above parts group applies to the following Mfg. Nos.:

- 1695264 - Prestige
- 2690680 - Prestige
- 2690681 - Prestige

Transaxle SERVICE PARTS - Tuff Torq KXH10NC

REF NO	PART NO.	QTY.	DESCRIPTION
74	*	1	BEARING 6001 C3
75	*	1	SNAP RING 12
76	*	1	RING 28
77	1718079SM	1	CYLINDER BLOCK KIT
81	*	1	PIN 10 x 13
82	*	1	SWASH SUPPORT RIGHT
83	1718089SM	1	THRUST METAL
84	*	1	SWASH PLATE
85	1718078SM	1	THRUST BEARING 51106
88	*	1	SWASH SUPPORT LEFT
95	*	1	PACKING S 10.0
100	*	1	CENTER CASE 10CC CMP
101	*	1	CHECK VALVE CMP
102	*	1	COLLAR
103	1726116SM	1	SCREEN
116	*	1	JOINT SHAFT N
117	*	1	SPLINE COLLAR B
118	*	1	BEARING 6002 C3
119	*	1	BEVEL GEAR KIT
122	1720848SM	1	PIN 8 x 16
123	*	1	AXLE FLANGE
124	1735422SM	1	PACKING G 45.0
126	*	1	SEAL TC466411
128	*	1	FINAL PINION GEAR (9T)
129	*	1	FRONT GEAR CASE
130	*	1	SHAFT FRONT 2ND
131	1735423SM	1	BEARING 6003 C3
132	1735424SM	1	SEAL CAP 56
134	1714658SM	1	WASHER 10
135	1735425SM	1	TIE ROD COMPLETE N
136	*	1	TIE ROD PIN LEFT
142	*	1	NUT 10
143	*	1	TIE ROD PIN RIGHT
144	*	1	BUSHING 10
145	1735426SM	1	STEERING ROD COMPLETE N
146	*	1	SNAP PIN 10
152	1735427SM	1	SEAL TC254708
154	*	1	FRONT BEARING COVER
155	*	1	FRONT AXLE SHAFT
156	1735428SM	1	RING 47
157	1735429SM	1	RING 24
158	1735430SM	1	BEARING 6005 C3
159	*	1	BEARING 6004 C3
160	*	1	FINAL FEAR (51T)

Footnotes

Note* See your local authorized Tuff Torq dealership for parts and warranty or visit TuffTorqServices.com.

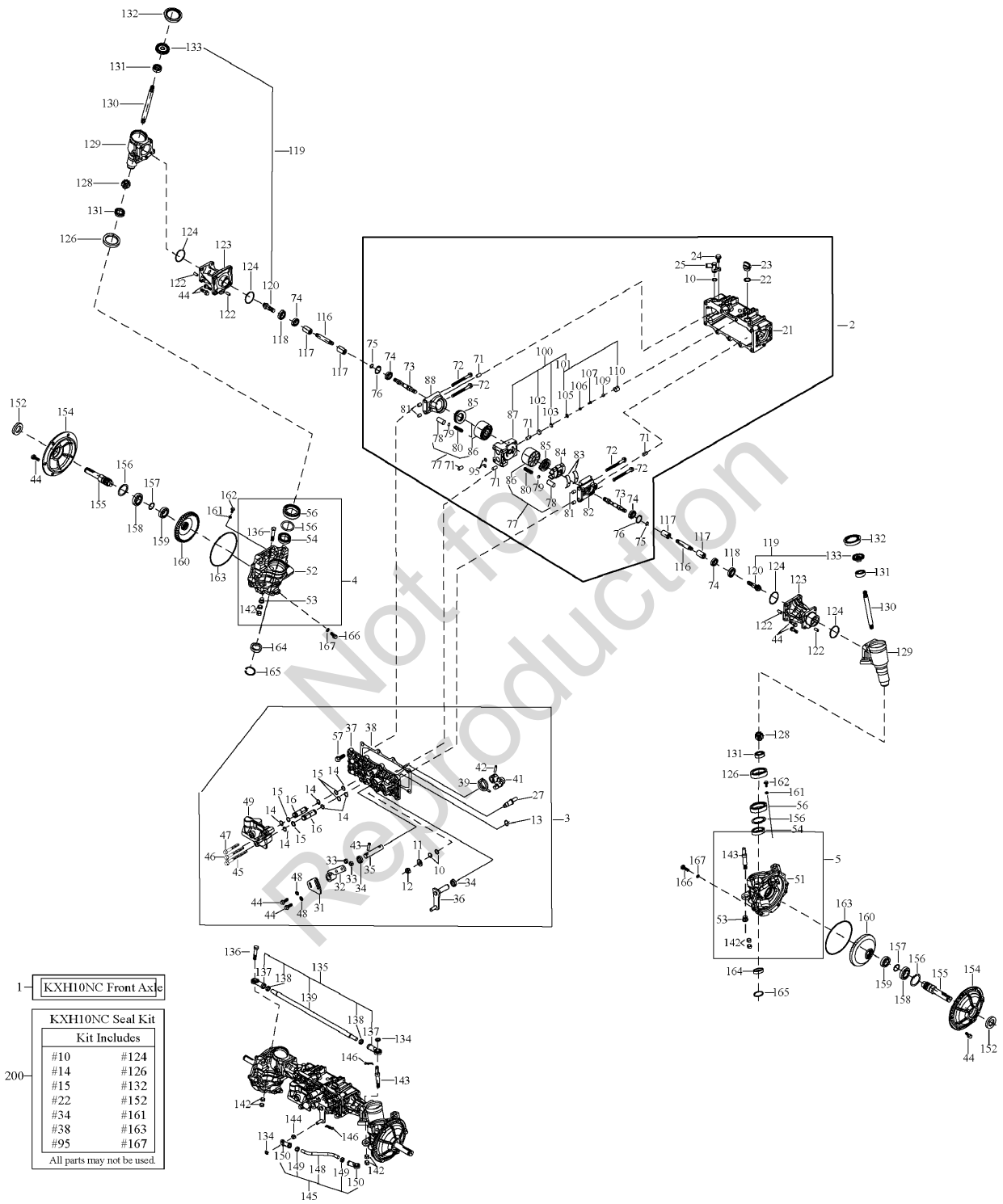
The above parts group applies to the following Mfg. Nos.:

1695264 - Prestige
 2690680 - Prestige
 2690681 - Prestige

Transaxle SERVICE PARTS - Tuff Torq KXH10NC

1733480

**NOTE: Unless noted otherwise,
use the standard hardware torque
specification chart.**



The above parts group applies to the following Mfg. Nos.:

- 1695264 - Prestige
- 2690680 - Prestige
- 2690681 - Prestige

Transaxle SERVICE PARTS - Tuff Torq KXH10NC

REF NO	PART NO.	QTY.	DESCRIPTION
161	*	1	WASHER SEAL 6
162	*	1	BOLT 6 x 12
163	1735431SM	1	PACKING G140.0
164	1726183SM	1	COLLAR 30*38*4
165	*	1	RING 30
166	*	1	BOLT 8 x 16
167	1724323	1	SEAL WASHER 8
200	*	1	SEAL KIT

Not for
Reproduction

Footnotes

Note* See your local authorized Tuff Torq dealership for parts and warranty or visit TuffTorqServices.com.

The above parts group applies to the following Mfg. Nos.:

1695264 - Prestige

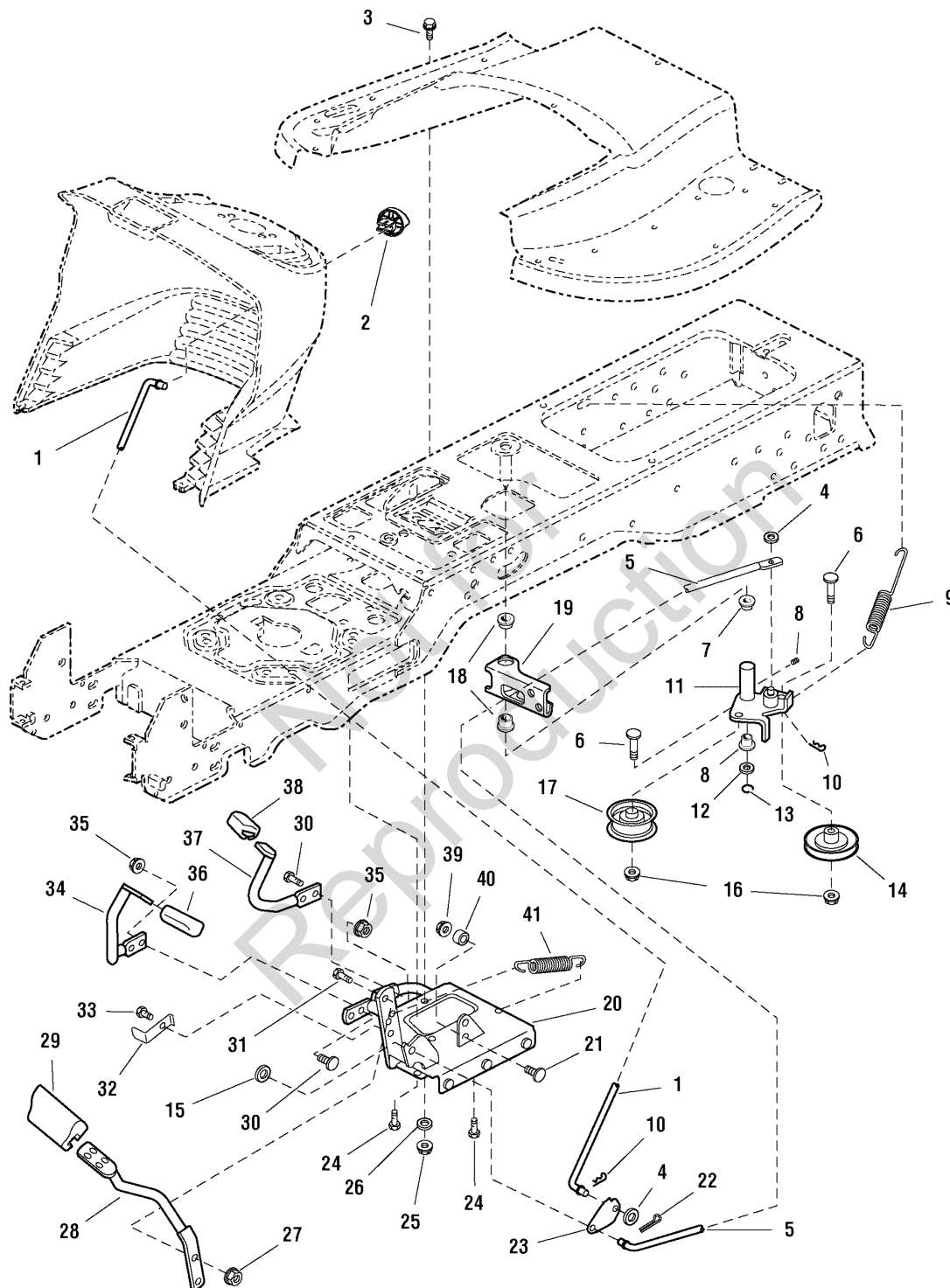
2690680 - Prestige

2690681 - Prestige

Controls Group

986599

NOTE: Unless noted otherwise,
use the standard hardware torque
specification chart.



The above parts group applies to the following Mfg. Nos.:

- 1695264 - Prestige
- 2690680 - Prestige
- 2690681 - Prestige

Controls Group

REF NO	PART NO.	QTY.	DESCRIPTION
1	1721353SM	1	ROD, Brake Lock
2	1721891SM	1	KNOB, Push On, Red Plastic "P"
3	1930591SM	1	CAPSCREW, Hex Flange Whiz Lock, 5/16-18 x 3/4
4	1919326SM	2	WASHER, 5/16, Black
5	1721476SM	1	ROD, Brake
6	1931353SM	2	CARRIAGE BOLT, 3/8-16 x 1 3/4
7	1663114SM	2	BUSHING, 5/8 x 3/4 x 3/4, Nylon
8	2821133SM	1	FITTING, Lube, 1/4
9	1725250SM	1	SPRING, Extension
10	1722460SM	3	PIN, Quick
11	1724917SM	1	ARM & HUB ASSEMBLY, Idler
12	1960020SM	1	WASHER, 5/8
13	1704420SM	1	RING, Clipping Extension
14	1721134SM	1	PULLEY, w/Bearing
15	1924940SM	1	WASHER, 3/8
16	1960687SM	2	NUT, Hex Flange ESNA, 3/8-16
17	1721133SM	1	PULLEY, Idler
18	1723237SM	2	BUSHING, 1 x 1-1/8 x 5/8, Nylon
19	1722513SM	1	ARM, Brake
20	1726763SM	1	PEDAL ASSEMBLY, Foot
21	1931320SM	1	CARRIAGE BOLT, 1/4-20 x 1-1/4
22	1918447SM	1	PIN, Cotter, Black
23	1721354ASM	1	LATCH, Brake
24	1664847SM	3	CAPSCREW, Hex Washer Head Taptite, 5/16-18 x 3/4
25	1919438SM	1	NUT, Hex Lock ESNA Light, 5/16-18
26	1919381SM	1	WASHER, 5/16, Black
27	1927557SM	2	NUT, Hex Flange Whiz Lock Large, 5/16-18
28	1722535ASM	1	PEDAL, Brake
29	1721577SM	1	PAD, Brake Pedal
30	1931334SM	4	CARRIAGE BOLT, 5/16-18 x 7/8
31	1921333SM	2	CAPSCREW, 5/16-18 x 1
32	1722083ASM	1	ACTUATOR, Switch 2.53" Long
33	1923683SM	1	CAPSCREW, Hex Washer Head Taptite, 3/8-16 x 3/4
34	1722070ASM	1	PEDAL, Forward
35	1960636SM	4	NUT, Hex KEPS, 5/16-18
36	1721675SM	1	PAD, Foot Pedal Forward
37	1722071ASM	1	PEDAL, Reverse
38	1721674SM	1	PAD, Foot Pedal Reverse
39	1920397SM	1	NUT, Hex Lock ESNA Light, 1/4-20
40	1686612SM	1	CAM, Roller
41	1721995SM	1	SPRING, Extension

Footnotes

The above parts group applies to the following Mfg. Nos.:

1695264 - Prestige

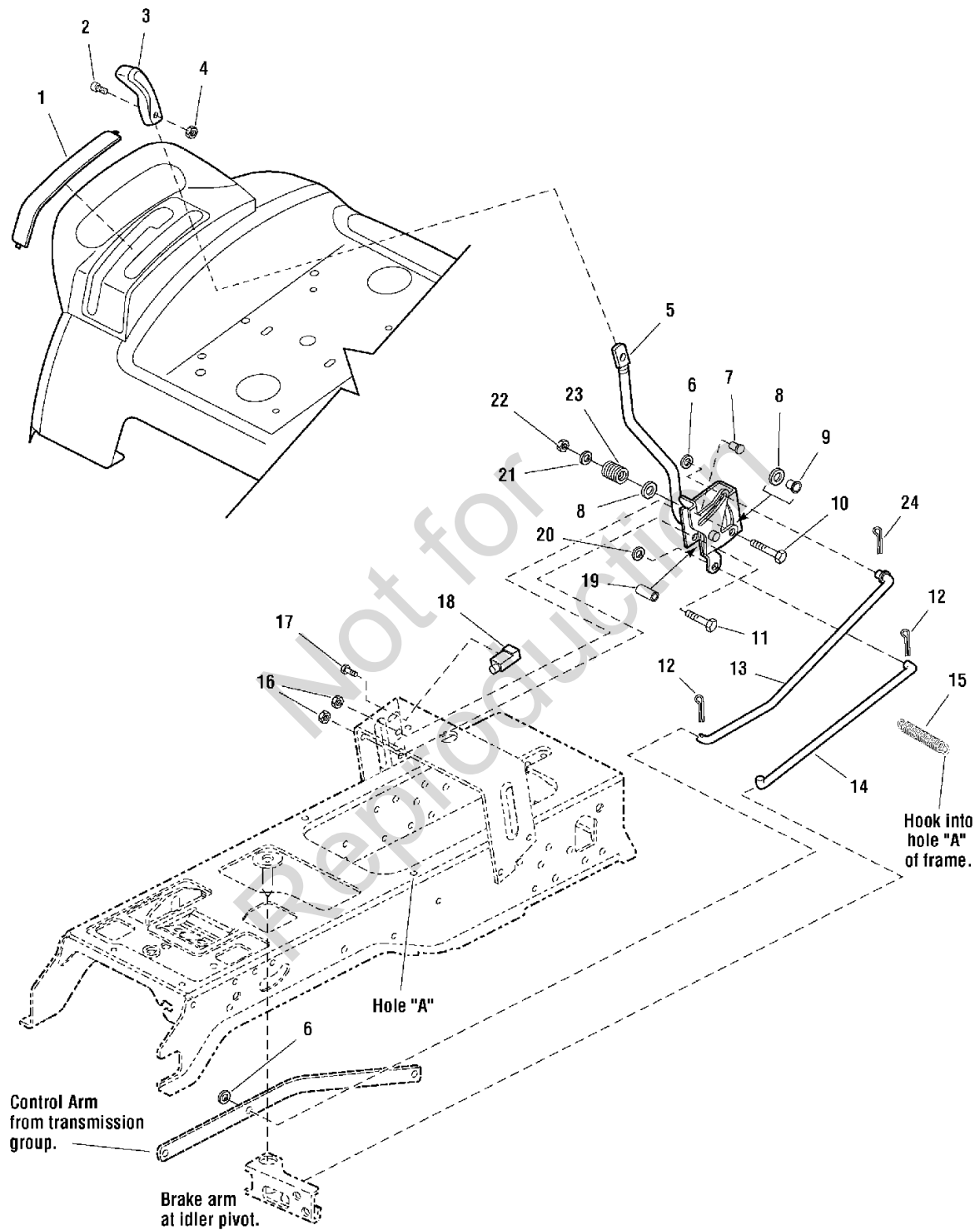
2690680 - Prestige

2690681 - Prestige

Cruise Control Group

985883

NOTE: Unless noted otherwise,
use the standard hardware torque
specification chart.



The above parts group applies to the following Mfg. Nos.:

1695264 - Prestige

2690680 - Prestige

2690681 - Prestige

Cruise Control Group

REF NO	PART NO.	QTY.	DESCRIPTION
1	1722314SM	1	COVER, w/Cruise Icon
2	1960666SM	1	SCREW, Torque Head Plus Socket Head, 1/4-20 x 7/8
3	1722303SM	1	KNOB, Cruise
4	1920397SM	1	NUT, Hex Lock ESNA Light, 1/4-20
5	1722003SM	1	LEVER & BRACKET ASSEMBLY, Cruise
6	1960103SM	2	WASHER, 3/8, Black
7	1931333SM	1	CARRIAGE BOLT, 5/16-18 x 3/4
8	1924361SM	2	WASHER, 1/2
9	1709043SM	1	SPACER, w/Flange, 11/32 x 15/32 x 3/4
10	1931342SM	1	CARRIAGE BOLT, 5/16-18 x 2-3/4
11	1960273SM	1	CARRIAGE BOLT, 5/16-18 x 2-1/4
12	1722460SM	2	PIN, Quick
13	1722117SM	1	ROD, Cruise
14	1733719SM	1	ROD, Return
15	2159106SM	1	SPRING, Cruise Return to Frame
16	1960636SM	2	NUT, Hex KEPS, 5/16-18
17	1960001SM	2	CAPSCREW, Hex Washer Head Plastite, 10-14 x 5/8
18	1717050SM	1	SWITCH, Push, Neutral Start, Gray
19	1722080SM	1	SPACER, 11/32 x 5/8 x 1-13/32
20	1919326SM	1	WASHER, 5/16, Black
21	1919381SM	1	WASHER, 5/16, Black
22	1919438SM	1	NUT, Hex Lock ESNA Light, 5/16-18
23	1677746SM	1	SPRING, Compression
24	1918447SM	1	PIN, Cotter

Footnotes

The above parts group applies to the following Mfg. Nos.:

1695264 - Prestige

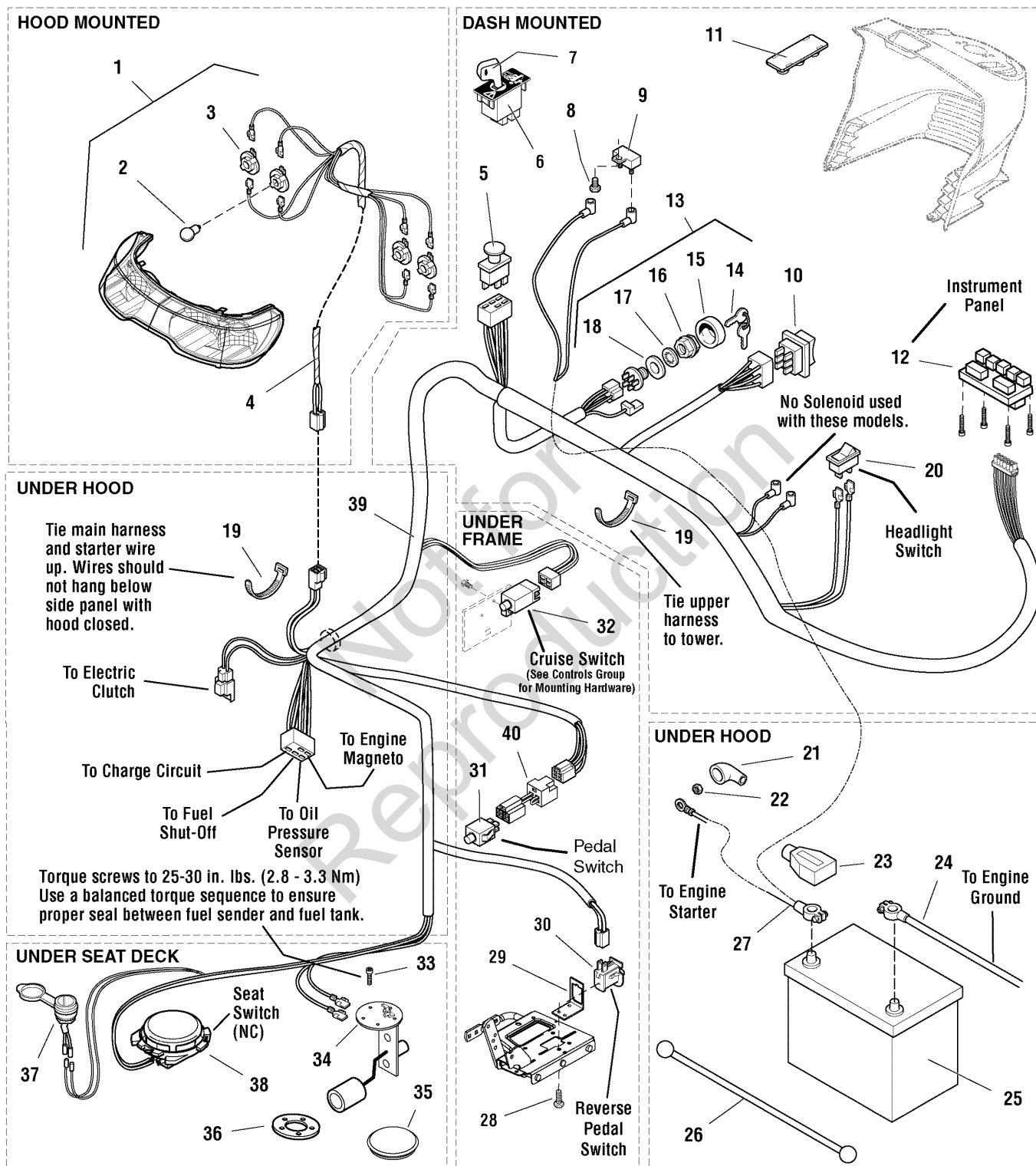
2690680 - Prestige

2690681 - Prestige

Electrical Group

986606

NOTE: Unless noted otherwise, use the standard hardware torque specification chart.



The above parts group applies to the following Mfg. Nos.:

- 1695264 - Prestige
- 2690680 - Prestige
- 2690681 - Prestige

Electrical Group

REF NO	PART NO.	QTY.	DESCRIPTION
1	1721810SM	1	HEADLIGHT ASSEMBLY, 4 Bulb (Includes Ref. Nos. 2 & 3)
2	1677371SM	4	BULB, Headlight, 12.8V
3	1723451SM	4	SOCKET ASSEMBLY, Headlight, Sealed
4	1722669SM	1	HARNESS, Headlight
5	1722887SM	1	SWITCH, PTO Push
6	1726556SM	1	SWITCH, Reverse Mow Option Module w/Key
7	1726557SM	1	KEY, No Mow Module
8	1925003SM	2	SCREW, Hex Washer Head Taptite 1/4-20 x 1/2
9	1665238SM	1	BREAKER, Circuit
10	1716329SM	1	SWITCH, Electric Lift Rocky (Used only on Electric HOC Models)
11	1722611SM	1	PLUG, Hole
12	1725074SM	1	PANEL, Instrument w/Fuel Gage
13	1686734SM	1	SWITCH ASSEMBLY, Ignition
14	1717163SM	1	KEY, Ignition
15	1717550SM	1	COVER, Switch
16	1717549SM	1	NUT, Hex Flange 5/8-32 Ignition Switch Die Cast
17	1960547SM	1	LOCKWASHER, Internal Tooth 5/8
18	2101025SM	1	WASHER, 5/8
19	1701011SM	5	TIE, Self Locking
20	1716951SM	1	SWITCH, Headlight
21	1724588SM	1	COVER, Terminal Red
22	2860433SM	1	NUT, Hex Flange
23	1713534SM	1	INSULATOR, Battery
24	1716333SM	1	CABLE
25	1686714SM	1	BATTERY, 12 Volt, 6 Cell, 500 Amps CCA
26	1722009SM	1	STRAP
27	1717001SM	1	CABLE
28	1929000SM	1	SCREW, Hex Washer Head Taptite, 1/4-20 x 3/8
29	1726810ASM	1	BRACKET, Switch Mounting
30	1732004SM	1	SWITCH, Push Button, Reverse Pedal
31	1732006SM	1	SWITCH, Push Button, Foot Pedal
32	1717050SM	1	SWITCH, Cruise Control
33	2860665SM	5	SCREW, Pan Head Torx #10-32 x 1/2
34	1686921SM	1	SENDER, Fuel Tank
35	1722309SM	1	PLUG, Hole
36	1685303SM	1	GASKET
37	1725302SM	1	POWER OUTLET, 12 Volt
38	1718981SM	1	SWITCH, Operator Present, Seat
39	1730192SM	1	HARNESS, Wiring w/12 Volt
39	1733220SM	1	HARNESS, Wiring w/12 Volt & Electric HOC
40	1734025SM	1	WIRING ASSEMBLY, All Conditions Shutdown (CE/Export)

Footnotes

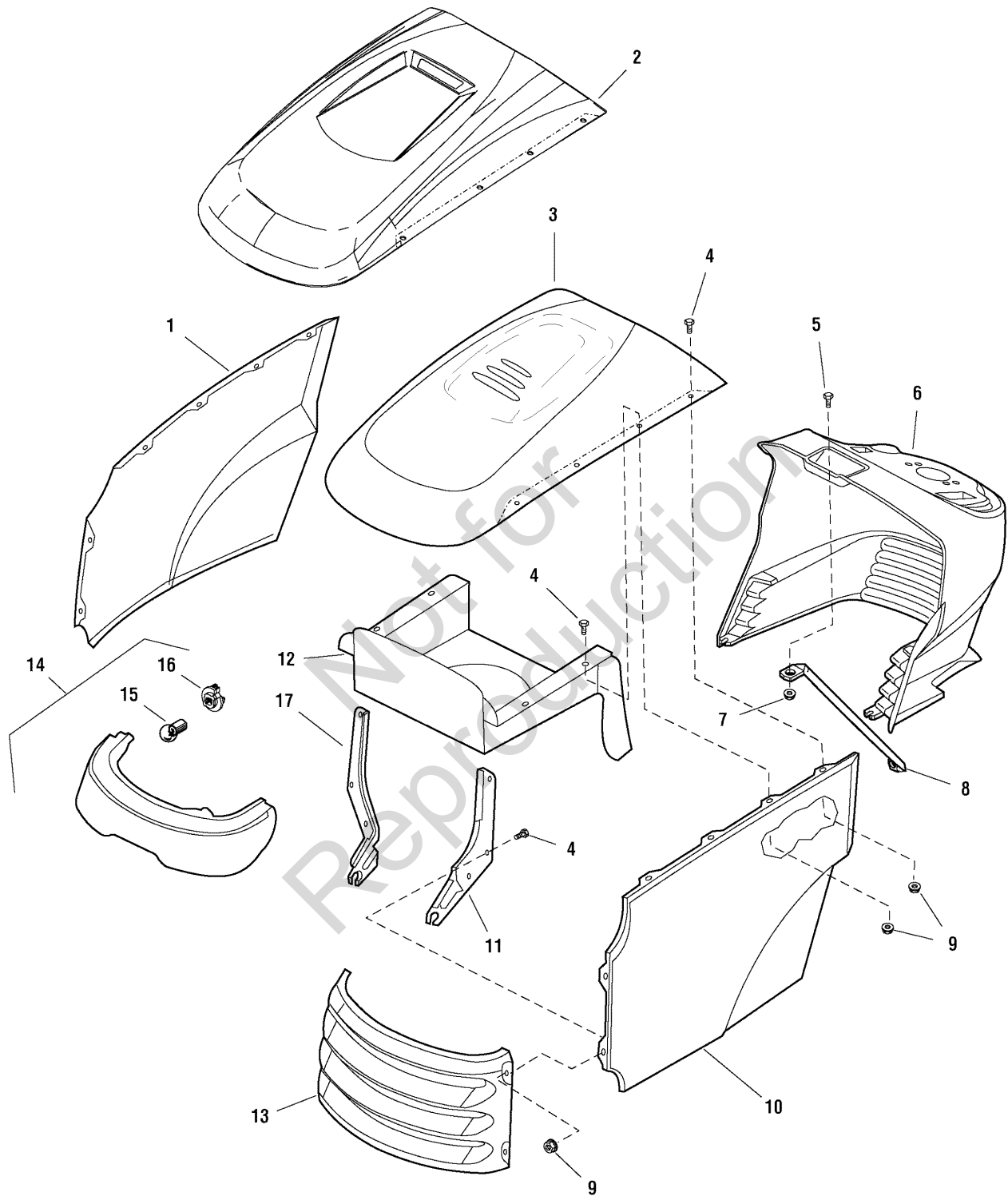
The above parts group applies to the following Mfg. Nos.:

1695264 - Prestige
2690680 - Prestige
2690681 - Prestige

Hood, Grille & Dash Group

986608

NOTE: Unless noted otherwise,
use the standard hardware torque
specification chart.



The above parts group applies to the following Mfg. Nos.:

1695264 - Prestige

2690680 - Prestige

2690681 - Prestige

Hood, Grille & Dash Group

REF NO	PART NO.	QTY.	DESCRIPTION
1	1721804CSM	1	PANEL, RH Side
1	1721804DSM	1	PANEL, RH Side, Red
2	1728031DSM	1	HOOD, with Scoop, Red
3	1722110CSM	1	HOOD, with Louvers
4	1960295SM	12	CAPSCREW, Hex Head Flange Lock, 1/4-20 x 5/8
5	1960392SM	1	SCREW, Phillips Head, #10-24 x 1/2
6	1687054SM	1	DASHBOARD, RMO, Black
6	1687055SM	1	DASHBOARD, RMO with Hydra Lift Slot, Black
7	1933896SM	1	NUT, Hex Nylock, #10-24
8	1723123SM	1	ROD, Dash Support
9	1930641SM	12	NUT, Hex Flange Lock, 1/4-20
10	1721803CSM	1	PANEL, LH Side
10	1721803DSM	1	PANEL, LH Side, Red
11	1721808ASM	1	HINGE, LH
12	1733457ASM	1	DUCT, Air Inlet
13	1721802CSM	1	GRILLE
13	1721802DSM	1	GRILLE, Red
14	1721810SM	1	HEADLIGHT ASSEMBLY (Includes Ref. Nos. 15 & 16)
15	1677371SM	4	BULB, Headlight
16	1723451SM	4	SOCKET, Headlight
17	1721809ASM	1	HINGE, RH

Not for
Reproduction

Footnotes

The above parts group applies to the following Mfg. Nos.:

1695264 - Prestige

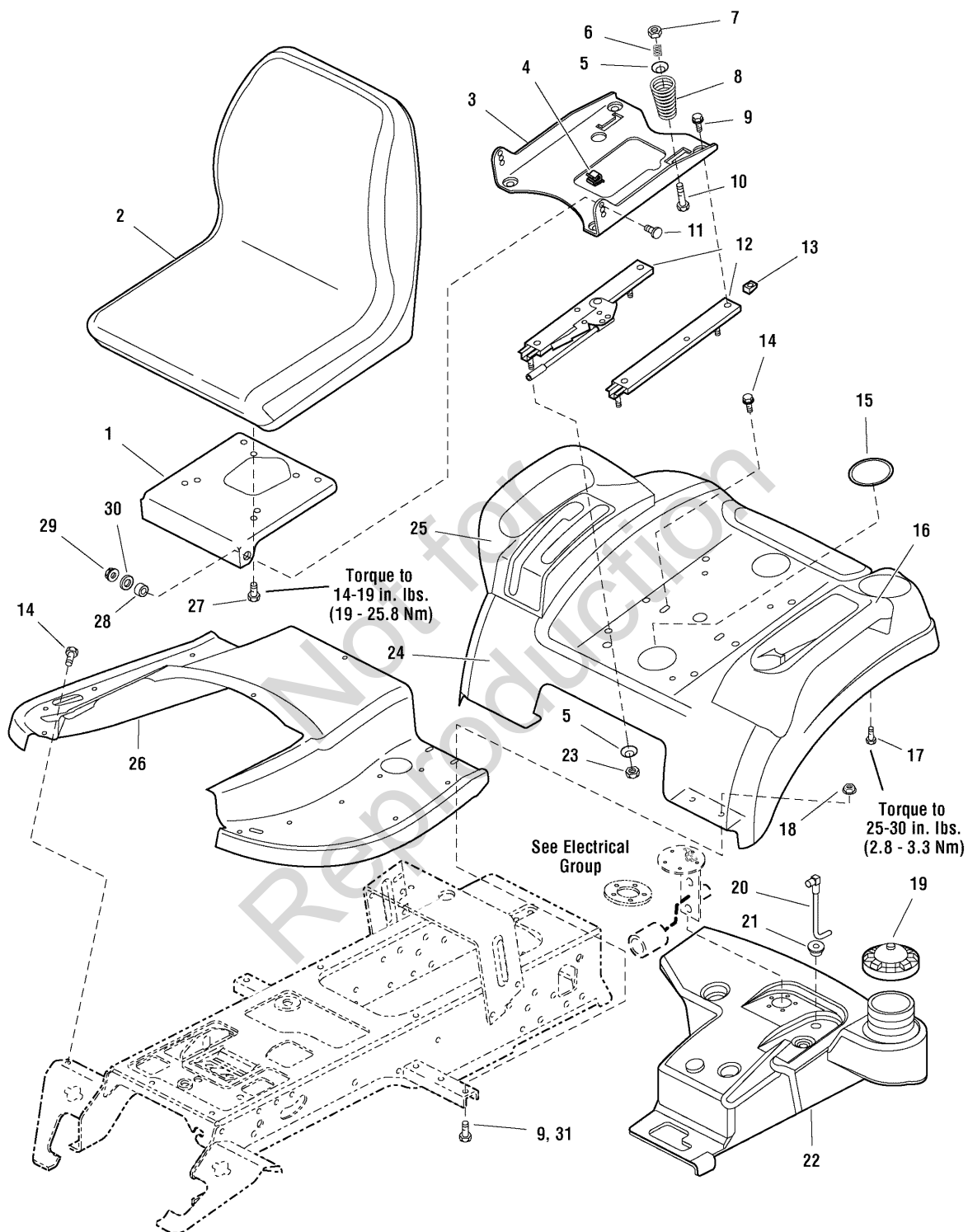
2690680 - Prestige

2690681 - Prestige

Seat & Seat Deck Group

985909

NOTE: Unless noted otherwise,
use the standard hardware torque
specification chart.



The above parts group applies to the following Mfg. Nos.:

- 1695264 - Prestige
- 2690680 - Prestige
- 2690681 - Prestige

Seat & Seat Deck Group

REF NO	PART NO.	QTY.	DESCRIPTION
1	1722129ASM	1	BRACKET, 1-5/8 x 1-3/4
2	1687199SM	1	SEAT, 18" Back
3	1722128ASM	1	SUPPORT, Seat
4	2172434SM	1	CLIP, Wire
5	1709256SM	2	WASHER, Spring, 5/16 x 1-1/4
6	1714263SM	2	SPRING, Compression
7	1919438SM	10	NUT, Hex Lock, ESNA Light, 5/16-18
8	1717051SM	2	SPRING, Compression
9	1930591SM	8	CAPSCREW, Hex Flange Whiz Lock, 5/16-18 x 3/4
10	1931339SM	2	CARRIAGE BOLT, 5/16-18 x 2
11	1931350SM	2	CARRIAGE BOLT, 3/8-16 x 1
12	1722356SM	1	SLIDE, Seat
13	1935255SM	4	NUT, Speed, 5/16-18, Lug Type
14	1930601SM	4	CAPSCREW, Hex Washer Head Taptite, 5/16-18 x 5/8
15	1722309SM	2	PLUG, Plastic
16	1729711SM	1	POD, with Cup Holder, LH
17	2860664SM	8	CAPSCREW, Hex Washer Head, 1/4-20 x 5/8
18	1931277SM	4	NUT, Hex Flange Whiz Lock, 5/16-18
19	1715917SM	1	CAP, Gas
20	1722340SM	1	TUBE & ELBOW ASSEMBLY
21	1654930SM	1	BUSHING, 3/8 x 9/16 x 5/8, Rubber
22	1722432SM	1	TANK, Fuel
23	1960636SM	8	NUT, Hex KEPS, 5/16-18
24	1722106CSM	1	DECK, Seat, Orange
24	1722106DSM	1	DECK, Seat, Red
25	1722108SM	1	POD, RH with 2 Slots
26	1722105CSM	1	TUNNEL, Orange
26	1722105DSM	1	TUNNEL, Red
27	1960667SM	4	SCREW, Hex Flange Whiz Lock, 5/16-18 x 1
28	1663752SM	2	SPACER, 25/64 x 5/8 x 3/16, Hardened
29	1930645SM	2	NUT, Hex Flange Two-Way Lock, 3/8-16
30	1924940SM	2	WASHER, 3/8
31	1930595SM	4	SCREW, Taptite 5/16-18 x 1-1/4

Footnotes

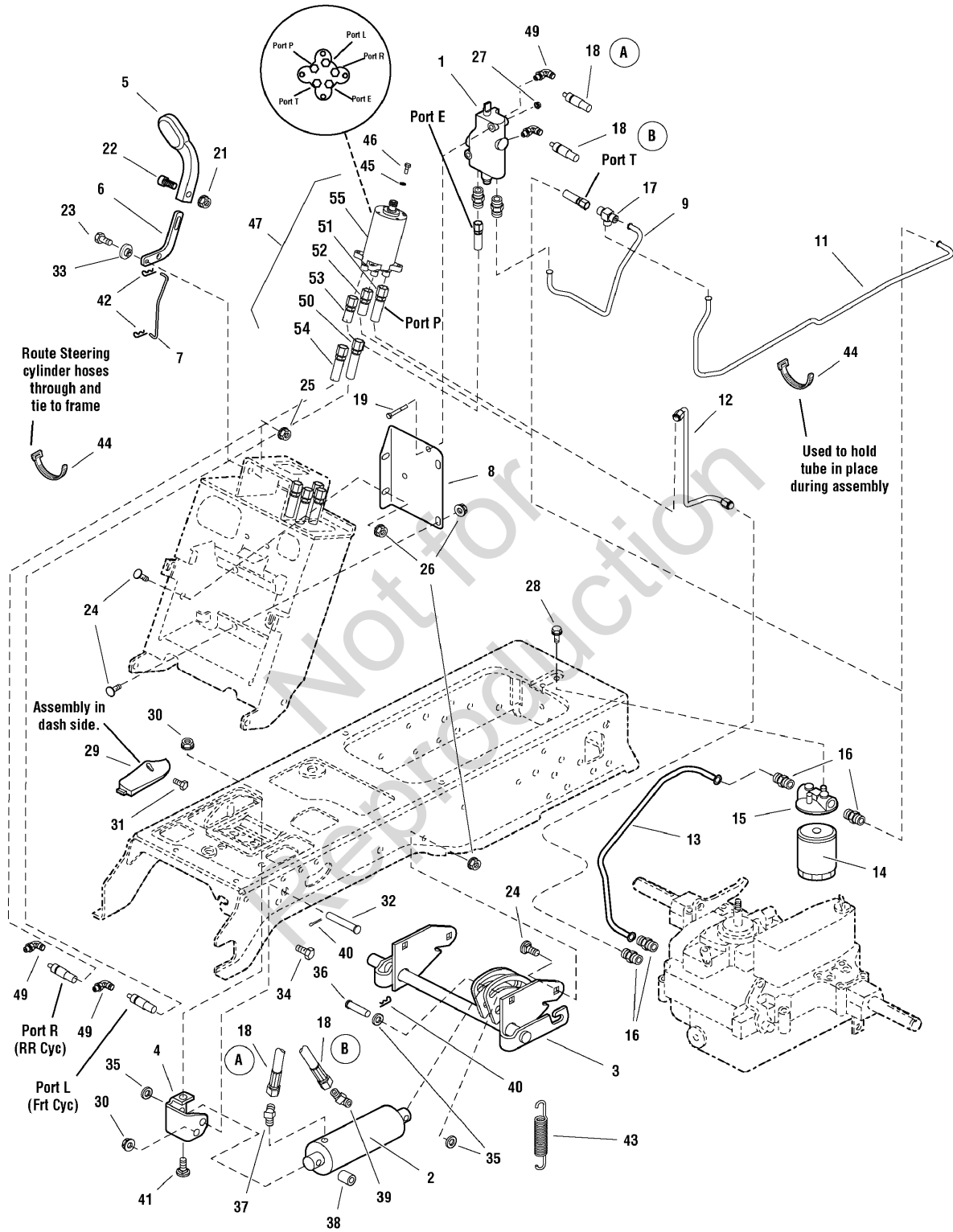
The above parts group applies to the following Mfg. Nos.:

1695264 - Prestige
2690680 - Prestige
2690681 - Prestige

Lift Group - Hydraulic Lift with Power Steering

987668

NOTE: Unless noted otherwise,
use the standard hardware torque
specification chart.



The above parts group applies to the following Mfg. Nos.:
1695264 - Prestige

Lift Group - Hydraulic Lift with Power Steering

REF NO	PART NO.	QTY.	DESCRIPTION
1	1717558SM	1	VALVE, Control
2	1722266SM	1	CYLINDER, Hydraulic
3	1727436ASM	1	SHAFT ASSEMBLY, Lift
4	1722113ASM	1	SUPPORT, Cylinder
5	1722146SM	1	HANDLE, Lift
6	1721901SM	1	LEVER, Hydraulic
7	1727557SM	1	ROD, Curved Link
8	1721904ASM	1	SUPPORT, Control
9	1722135SM	1	TUBE, Hydraulic
11	1722138SM	1	TUBE, Hydraulic
12	1733727SM	1	TUBE, Hydraulic 3 Bends
13	1733427SM	1	TUBE, Hydraulic (Used only on 4WD Hydro Lift units)
13	1722297SM	1	TUBE, Hydraulic
14	1719168SM	1	FILTER, Oil
15	1719169SM	1	BASE, Oil Filter
16	1722123SM	4	FITTING, Straight
17	1733211SM	1	FITTING, Tee, 3 Ports / Hydraulic Hose
18	1733216SM	2	HOSE ASSEMBLY, Hydraulic
19	1921963SM	2	CAPSCREW, Hex Head, 1/4-20 x 2 G5
21	1920397SM	1	NUT, Hex Lock ESNA Light 1/4-20
22	1960666SM	1	SCREW, Torx Plus Socket Head 1/4-20 x 7/8
23	1921333SM	1	CAPSCREW, Hex Head 5/16-18 x 1 G5
24	1931333SM	8	CARRIAGE BOLT, 5/16-18 x 3/4 G5
25	1919438SM	1	NUT, Hex Lock ESNA Light 5/16-18
26	1960636SM	8	NUT, Hex KEPS 5/16-18
27	2828372SM	2	NUT, Hex KEPS 1/4-20
28	1931646SM	2	SCREW, Hex Whiz Lock Flange, 1/4-20 x 1/2
29	1722285SM	1	COVER, Dash ABS (SEE NARRATIVE)
30	1960637SM	2	NUT, Hex KEPS 3/8-16
31	1722607SM	1	SCREW, Pan Head Torque, #8-16 x 1/2, Plastite
32	1722147SM	1	PIN, Clevis
33	1723244SM	1	SPACER, Hydraulic Lift Pivot
34	1921210SM	1	CAPSCREW, Hex Head 3/8-16 x 1 G5
35	1960027SM	3	WASHER, 1/2
36	1722819SM	1	PIN, Flat Head Drilled
37	1722122SM	1	FITTING, Elbow 1/2
38	1722148SM	1	SPACER
39	1722141SM	1	FITTING, Elbow 1/2
40	1960033SM	2	CLIP, Hair Pin
41	1931350SM	1	CARRIAGE BOLT, 3/8-16 x 1 G5
42	1923360SM	2	PIN, Cotter 5/8 x 3/4
43	2156302SM	1	SPRING, Extension

Footnotes

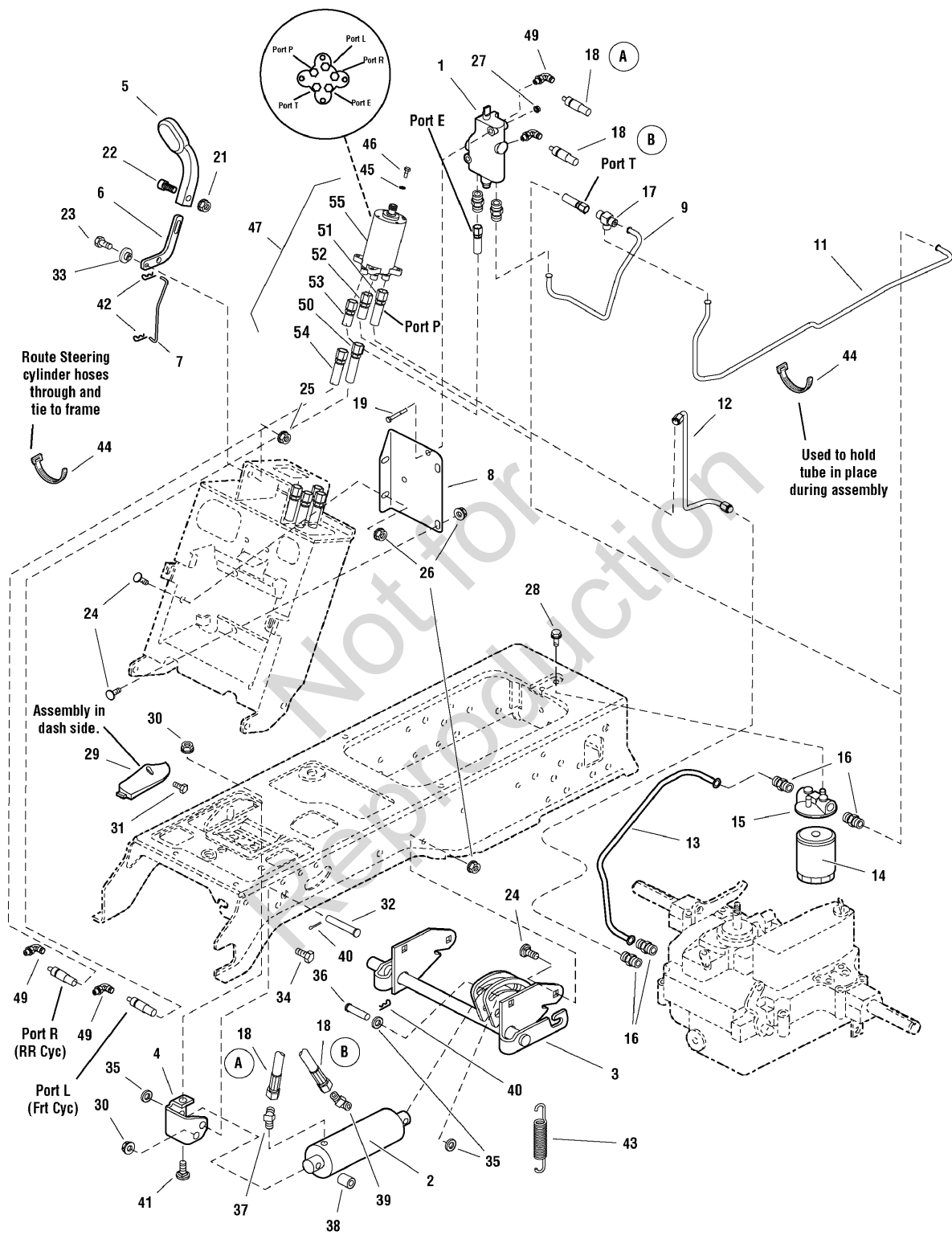
The above parts group applies to the following Mfg. Nos.:

1695264 - Prestige

Lift Group - Hydraulic Lift with Power Steering

987668

NOTE: Unless noted otherwise, use the standard hardware torque specification chart.



The above parts group applies to the following Mfg. Nos.:
1695264 - Prestige

Lift Group - Hydraulic Lift with Power Steering

REF NO	PART NO.	QTY.	DESCRIPTION
44	1701011SM	2	TIE, Self Locking
45	1916964SM	4	LOCKWASHER, Spring 1/4
46	2860444SM	4	CAPSCREW, Hex Head
47	1734134SM	1	POWER STEERING ASSEMBLY, 32CC, 5 Ports Includes Ref. Nos. 50,51,52,53,54 & 55)
49	1733230SM	4	FITTING, Hose Elbow Perma Push 9/16-18
50	1733595SM	1	HOSE ASSEMBLY, 31" Port R
51	1733780SM	1	HOSE ASSEMBLY, 27" Port P
52	1733214SM	1	HOSE ASSEMBLY, 18" Port T
53	1733215SM	1	HOSE ASSEMBLY, 20" Port E
54	1733893SM	1	HOSE ASSEMBLY, 27" Port R
55	1732449SM	1	POWER STEERING UNIT, 32CC, 5 Ports

Not for
Reproduction

Footnotes

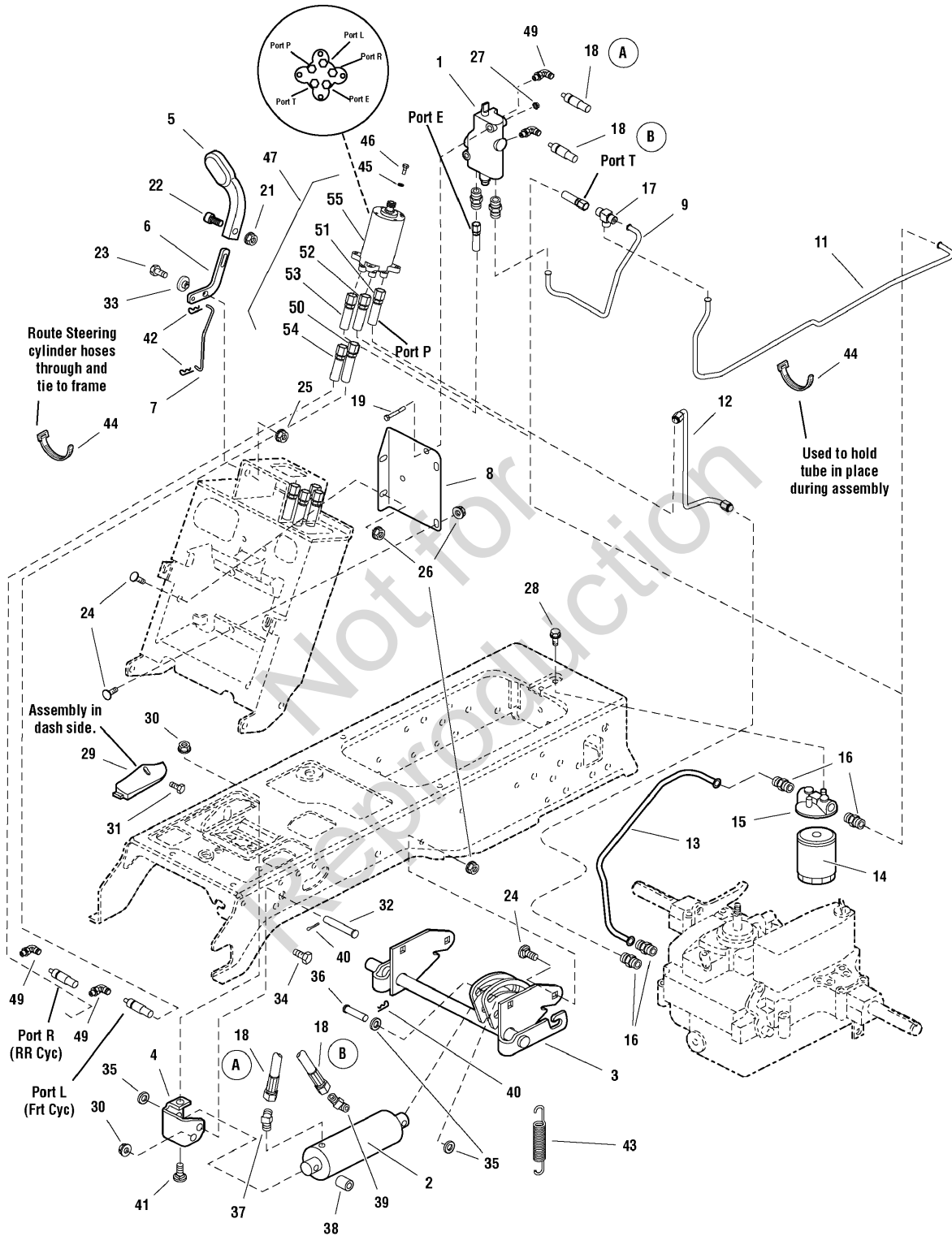
The above parts group applies to the following Mfg. Nos.:

1695264 - Prestige

Lift Group - Hydraulic Lift with Power Steering

987427

NOTE: Unless noted otherwise,
use the standard hardware torque
specification chart.



The above parts group applies to the following Mfg. Nos.:

2690680 - Prestige

2690681 - Prestige

Lift Group - Hydraulic Lift with Power Steering

REF NO	PART NO.	QTY.	DESCRIPTION
1	1717558SM	1	VALVE, Control
2	1722266SM	1	CYLINDER, Hydraulic
3	1727436ASM	1	SHAFT ASSEMBLY, Lift
4	1722113ASM	1	SUPPORT, Cylinder
5	1722146SM	1	HANDLE, Lift
6	1721901SM	1	LEVER, Hydraulic
7	1727557SM	1	ROD, Curved Link
8	1721904ASM	1	SUPPORT, Control
9	1722135SM	1	TUBE, Hydraulic
11	1722138SM	1	TUBE, Hydraulic
12	1733727SM	1	TUBE, Hydraulic 3 Bends
13	1733427SM	1	TUBE, Hydraulic (Used only on 4WD Hydro Lift units)
13	1722297SM	1	TUBE, Hydraulic
14	1719168SM	1	FILTER, Oil
15	1719169SM	1	BASE, Oil Filter
16	1722123SM	4	FITTING, Straight
17	1733211SM	1	FITTING, Tee, 3 Ports / Hydraulic Hose
18	1733216SM	2	HOSE ASSEMBLY, Hydraulic
19	1921963SM	2	CAPSCREW, Hex Head, 1/4-20 x 2 G5
21	1920397SM	1	NUT, Hex Lock ESNA Light 1/4-20
22	1960666SM	1	SCREW, Torx Plus Socket Head 1/4-20 x 7/8
23	1921333SM	1	CAPSCREW, Hex Head 5/16-18 x 1 G5
24	1931333SM	8	CARRIAGE BOLT, 5/16-18 x 3/4 G5
25	1919438SM	1	NUT, Hex Lock ESNA Light 5/16-18
26	1960636SM	8	NUT, Hex KEPS 5/16-18
27	2828372SM	2	NUT, Hex KEPS 1/4-20
28	1931646SM	2	SCREW, Hex Whiz Lock Flange, 1/4-20 x 1/2
29	1722285SM	1	COVER, Dash ABS (SEE NARRATIVE)
30	1960637SM	2	NUT, Hex KEPS 3/8-16
31	1722607SM	1	SCREW, Pan Head Torque, #8-16 x 1/2, Plastite
32	1722147SM	1	PIN, Clevis
33	1723244SM	1	SPACER, Hydraulic Lift Pivot
34	1921210SM	1	CAPSCREW, Hex Head 3/8-16 x 1 G5
35	1960027SM	3	WASHER, 1/2
36	1722819SM	1	PIN, Flat Head Drilled
37	1722122SM	1	FITTING, Elbow 1/2
38	1722148SM	1	SPACER
39	1722141SM	1	FITTING, Elbow 1/2
40	1960033SM	2	CLIP, Hair Pin
41	1931350SM	1	CARRIAGE BOLT, 3/8-16 x 1 G5
42	1923360SM	2	PIN, Cotter 5/8 x 3/4
43	2156302SM	1	SPRING, Extension

Footnotes

The above parts group applies to the following Mfg. Nos.:

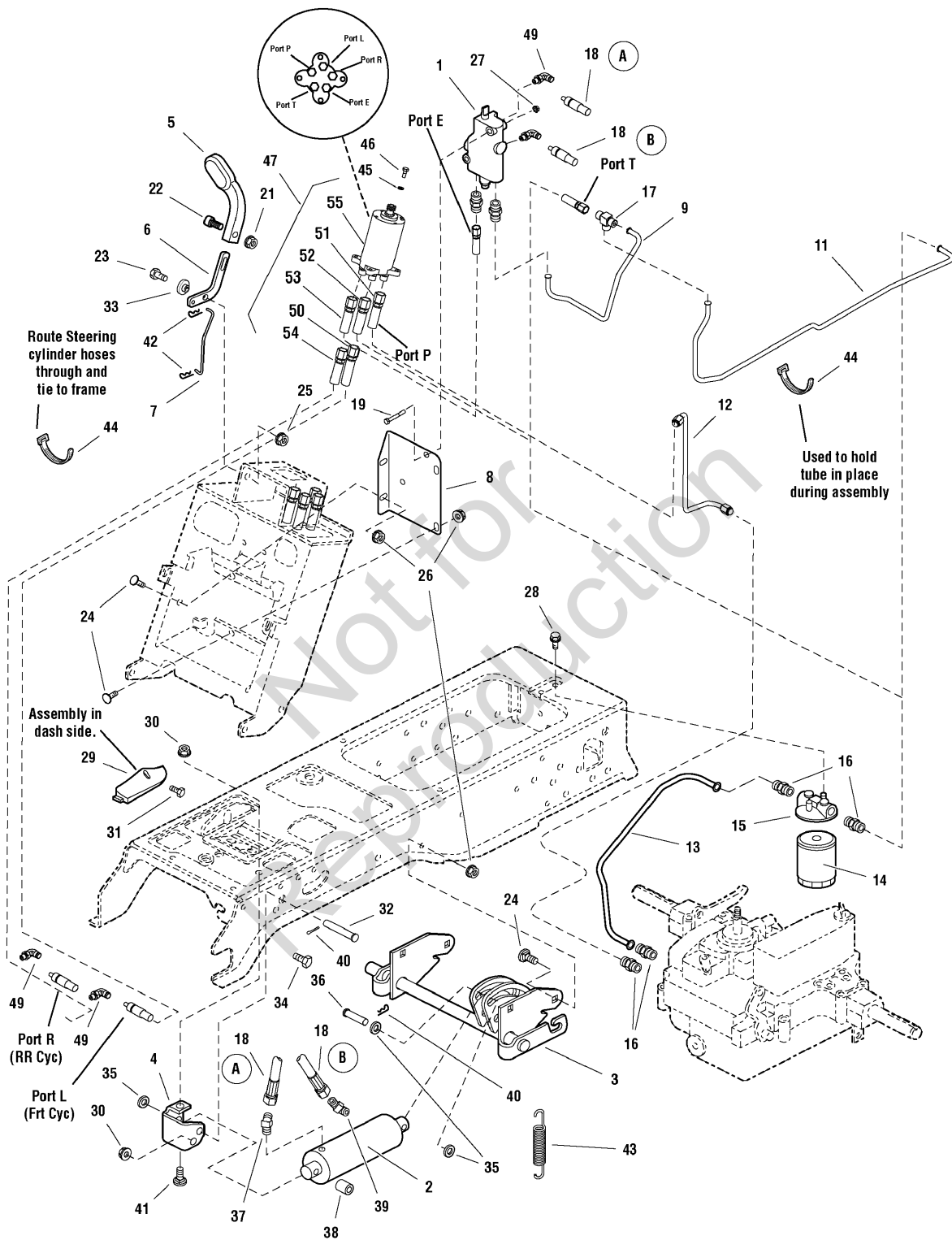
2690680 - Prestige

2690681 - Prestige

Lift Group - Hydraulic Lift with Power Steering

987427

NOTE: Unless noted otherwise,
use the standard hardware torque
specification chart.



The above parts group applies to the following Mfg. Nos.:

- 2690680 - Prestige
- 2690681 - Prestige

Lift Group - Hydraulic Lift with Power Steering

REF NO	PART NO.	QTY.	DESCRIPTION
44	1701011SM	2	TIE, Self Locking
45	1916964SM	4	LOCKWASHER, Spring 1/4
46	2860444SM	4	CAPSCREW, Hex Head
47	1734134SM	1	POWER STEERING ASSEMBLY, 32CC, 5 Ports Includes Ref. Nos. 50,51,52,53,54 & 55)
49	1733230SM	4	FITTING, Hose Elbow Perma Push 9/16-18
50	1733212SM	1	HOSE ASSEMBLY, 46" Port L
51	1733780SM	1	HOSE ASSEMBLY, 27" Port P
52	1733214SM	1	HOSE ASSEMBLY, 18" Port T
53	1733215SM	1	HOSE ASSEMBLY, 20" Port E
54	1733413SM	1	HOSE ASSEMBLY, 50" Port R
55	1732449SM	1	POWER STEERING UNIT, 32CC, 5 Ports

Not for
Reproduction

Footnotes

The above parts group applies to the following Mfg. Nos.:

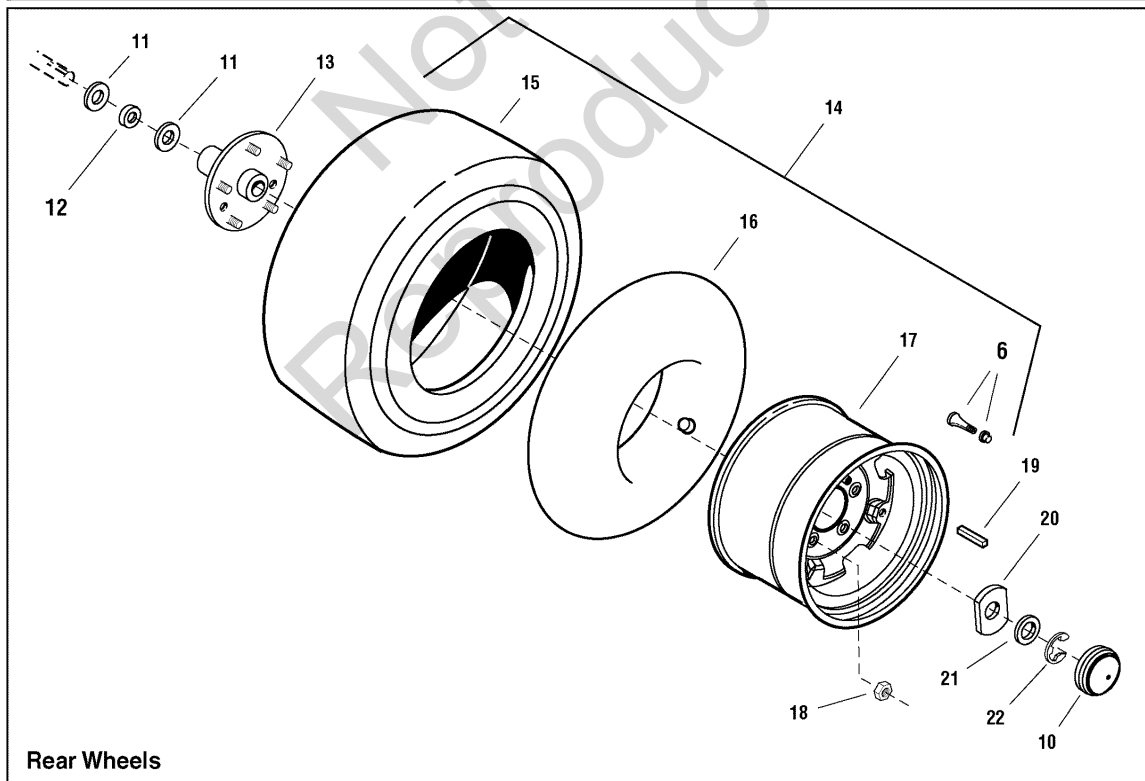
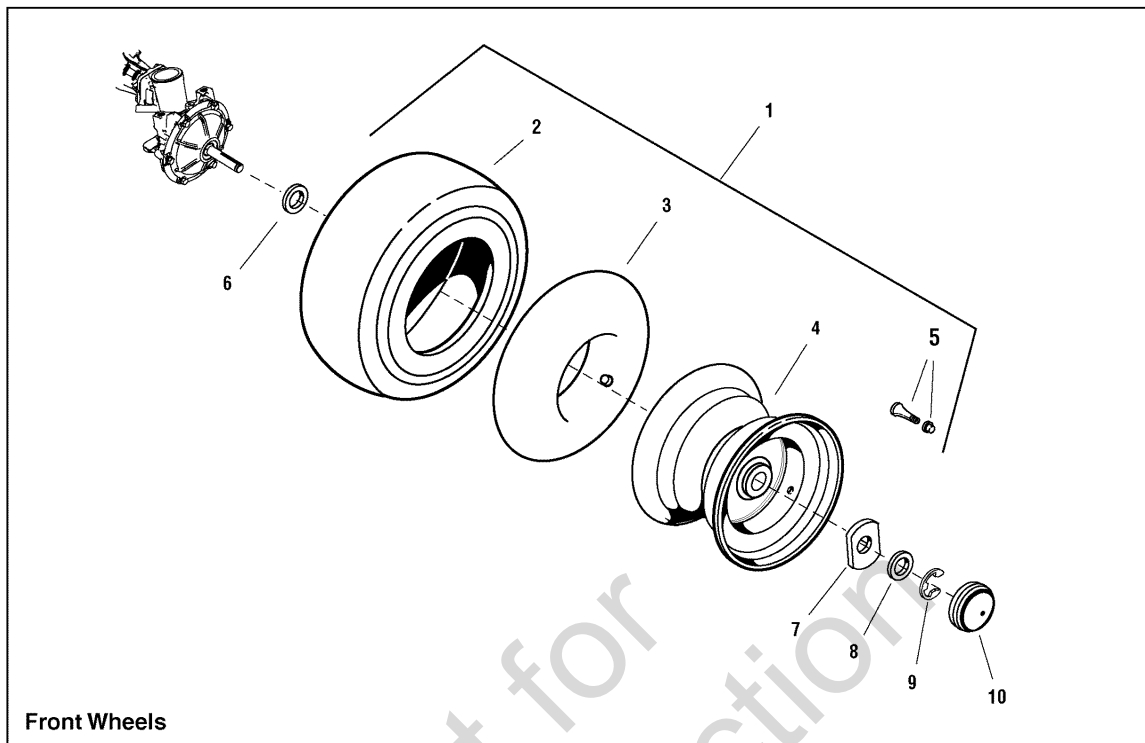
2690680 - Prestige

2690681 - Prestige

Wheels & Tires Group

W987670

NOTE: Unless noted otherwise,
use the standard hardware torque
specification chart.



The above parts group applies to the following Mfg. Nos.:

1695264 - Prestige

2690680 - Prestige

2690681 - Prestige

Wheels & Tires Group

REF NO	PART NO.	QTY.	DESCRIPTION
1	1733236SM	2	WHEEL & TIRE ASSEMBLY
2	1733485SM	2	TIRE, 16 x 6-1/2
3	2153038SM	2	TUBE, Tire
4	1733237SM	2	WHEEL ASSEMBLY
5	2172353SM	4	VALVE STEM & CAP
6	2860202SM	2	WASHER, Flat 3/4 x 1-5/8 x 1/8
7	1722717ASM	2	WASHER, Flat
8	1960114SM	2	WASHER, 3/4
9	2827794SM	2	RING
10	1722676SM	4	CAP, Hub
11	1960701SM	4	WASHER, 1 x 2-1/4 x 1/8
12	1726089SM	2	SPACER
13	1721400SM	2	PLATE & HUB WELDMENT
14	1733486SM	2	WHEEL & TIRE ASSEMBLY
15	1733487SM	2	TIRE
16	2157638SM	2	TUBE, Tire
17	1722831SM	2	WHEEL
18	2177725SM	10	NUT, Hex 7/16-20 For Wheel Bolt
19	2105337SM	2	KEY, Hi-Pro 1/4 x 2
20	1722726ASM	2	WASHER, Flat
21	1919394SM	2	WASHER, Flat
22	2834712SM	2	RING

Not for
Reproduction

Footnotes

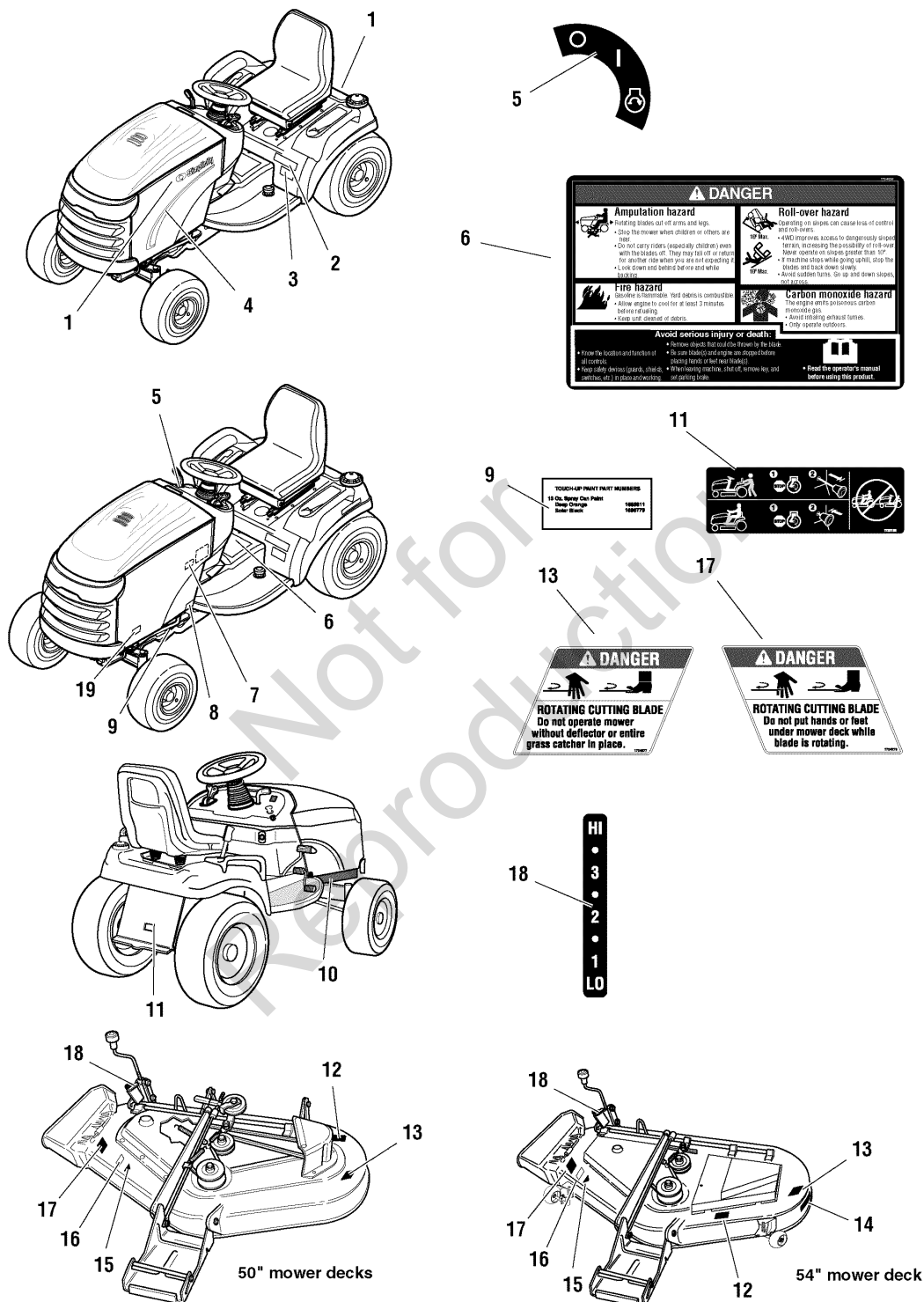
The above parts group applies to the following Mfg. Nos.:

1695264 - Prestige
2690680 - Prestige
2690681 - Prestige

Decals Group

NOTE: Unless noted otherwise, use the standard hardware torque specification chart.

D987670



The above parts group applies to the following Mfg. Nos.:

- 1695264 - Prestige
- 2690680 - Prestige
- 2690681 - Prestige

Decals Group

REF NO	PART NO.	QTY.	DESCRIPTION
1	1722551SM	3	DECAL, Simplicity Silver & Blue w/Icon
2	1722821SM	1	DECAL, Prestige, Silver & Blue
3	1733190SM	1	DECAL, 27HP Silver on Clear
4	1722773SM	1	DECAL, Hood Stripe R.H. SMI Blue & Silver
4	1722774SM	1	DECAL, Hood Stripe L.H. SMI Blue & Silver
5	1722806SM	1	DECAL, Ignition Switch Symbols
6	1734026SM	1	DECAL, Tunnel Cover Danger Slopes, Blades
7	1734142SM	1	DECAL, Touch Up Paint
8	1723296SM	2	STICKER, Protection
9	*	1	DECAL, I.D. Plate
10	*	1	DECAL, Patent
11	1723160SM	1	DECAL, Transmission Release Valve
12	*	1	DECAL, I.D. Plate
13	1704277SM	1	DECAL, Danger Do Not Operate w/o Deflector
14	1722771SM	1	DECAL, Free Floating Mower (Used only on 54" deck)
15	*	1	DECAL, OPEI Certified
16	1706640SM	1	DECAL, 50" Silver on Black w/Stripe
16	1722791SM	1	DECAL, 54" Silver w/Black Stripe
17	1704276SM	1	DECAL, Danger Do Not Put Hand/Feet In Mower
18	1721197SM	1	DECAL, 1 2 3 4 5 6, Height of Cut White/Black
19	1726373SM	2	DECAL, 4x4

Not for
Reproduction

Footnotes

NOTE * Not a serviceable part.

The above parts group applies to the following Mfg. Nos.:

1695264 - Prestige

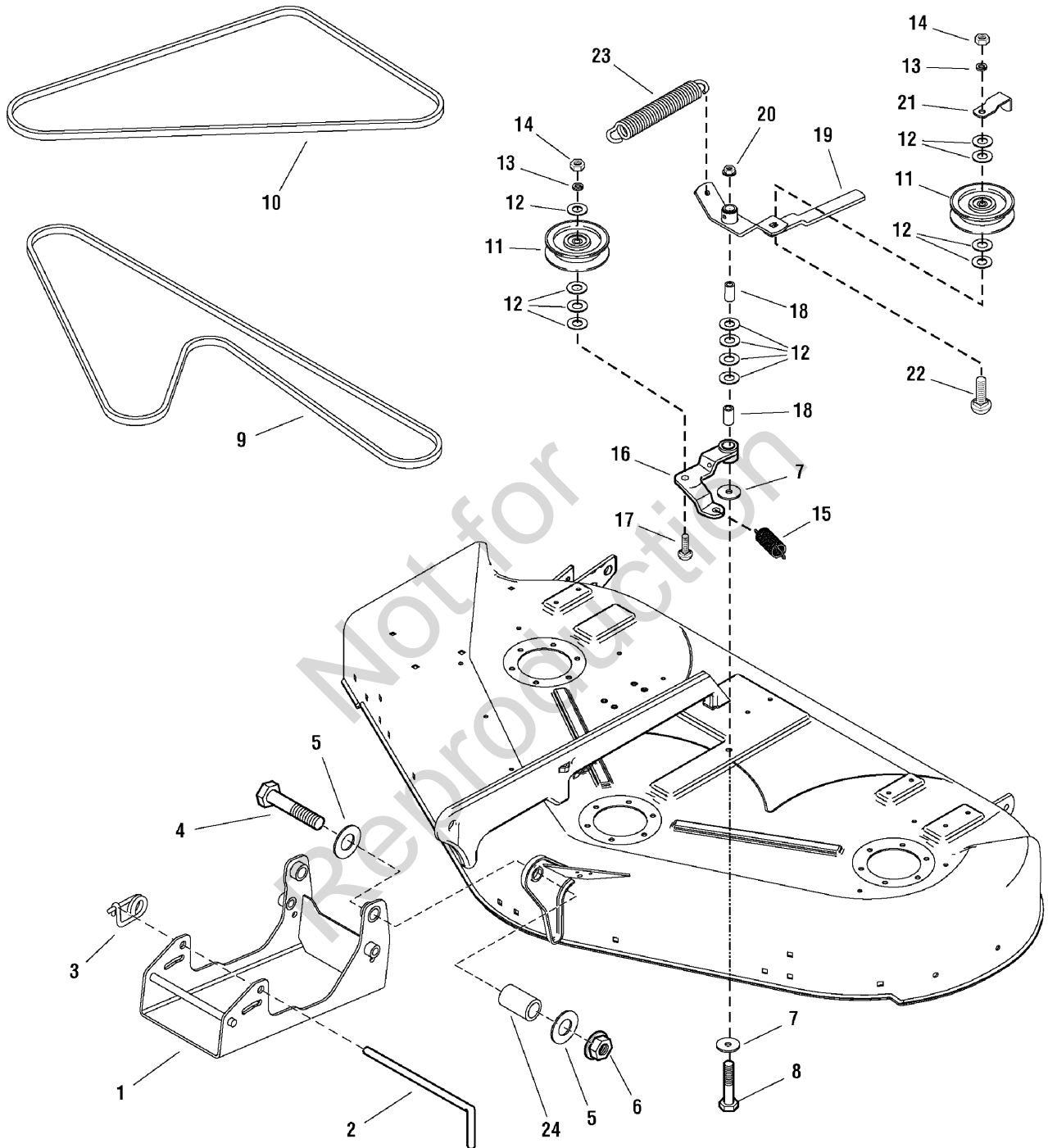
2690680 - Prestige

2690681 - Prestige

44" & 50" Mower Deck - Clutch & Support Group

987599

NOTE: Unless noted otherwise,
use the standard hardware torque
specification chart.



The above parts group applies to the following Mfg. Nos.:

1695294 - 50" Mower

2690680 - Prestige

44" & 50" Mower Deck - Clutch & Support Group

REF NO	PART NO.	QTY.	DESCRIPTION
1	1737046ASM	1	HITCH & RODS ASSEMBLY, 4WD
2	1731414SM	1	ROD, Latch
3	2176012SM	1	SPRING PIN
4	1923701SM	1	CAPSCREW, 3/8-16 x 2
5	1922755SM	2	WASHER, 3/8
6	1960687SM	2	NUT, Hex Flange 3/8-16
7	1924356SM	2	WASHER, 3/8
8	1923938SM	1	CAPSCREW, Hex Head 3/8-15 x 3-1/2 G5
9	1703836SM	1	V-BELT, Arbor Drive (Used only on 50" Mower)
9	1721532SM	1	V-BELT, Arbor Drive (Used only on 44" Mower)
10	1734114SM	1	V-BELT, Mower Drive 70.1 (Used only on 50" Mower)
10	1734115SM	1	V-BELT, Mower Drive 62.1 (Used only on 44" Mower)
11	1724387SM	2	PULLEY, Idler
12	1924940SM	12	WASHER, 3/8
13	1916965SM	2	LOCKWASHER, Spring 3/8
14	1916950SM	2	NUT, Hex 3/8-16
15	1656936SM	1	SPRING, Extension
16	1718561SM	1	LEVER ASSEMBLY, Idler w/Bushing & Fitting
17	1931352SM	1	CARRIAGE BOLT, 3/8-16 x 1-1/2 G5
18	1674669SM	2	SPACER
19	1704658SM	1	LEVER ASSEMBLY, Idler w/Bushings & Fitting
20	1960339SM	1	NUT, Hex Flange 3/8-16 Machine Lock
21	1677135ASM	1	GUARD, Belt
22	1960315SM	1	CARRIAGE BOLT, 3/8-16 x 2 G5
23	1715435SM	1	SPRING, Extension
24	1737061SM	2	SPACER

Footnotes

The above parts group applies to the following Mfg. Nos.:

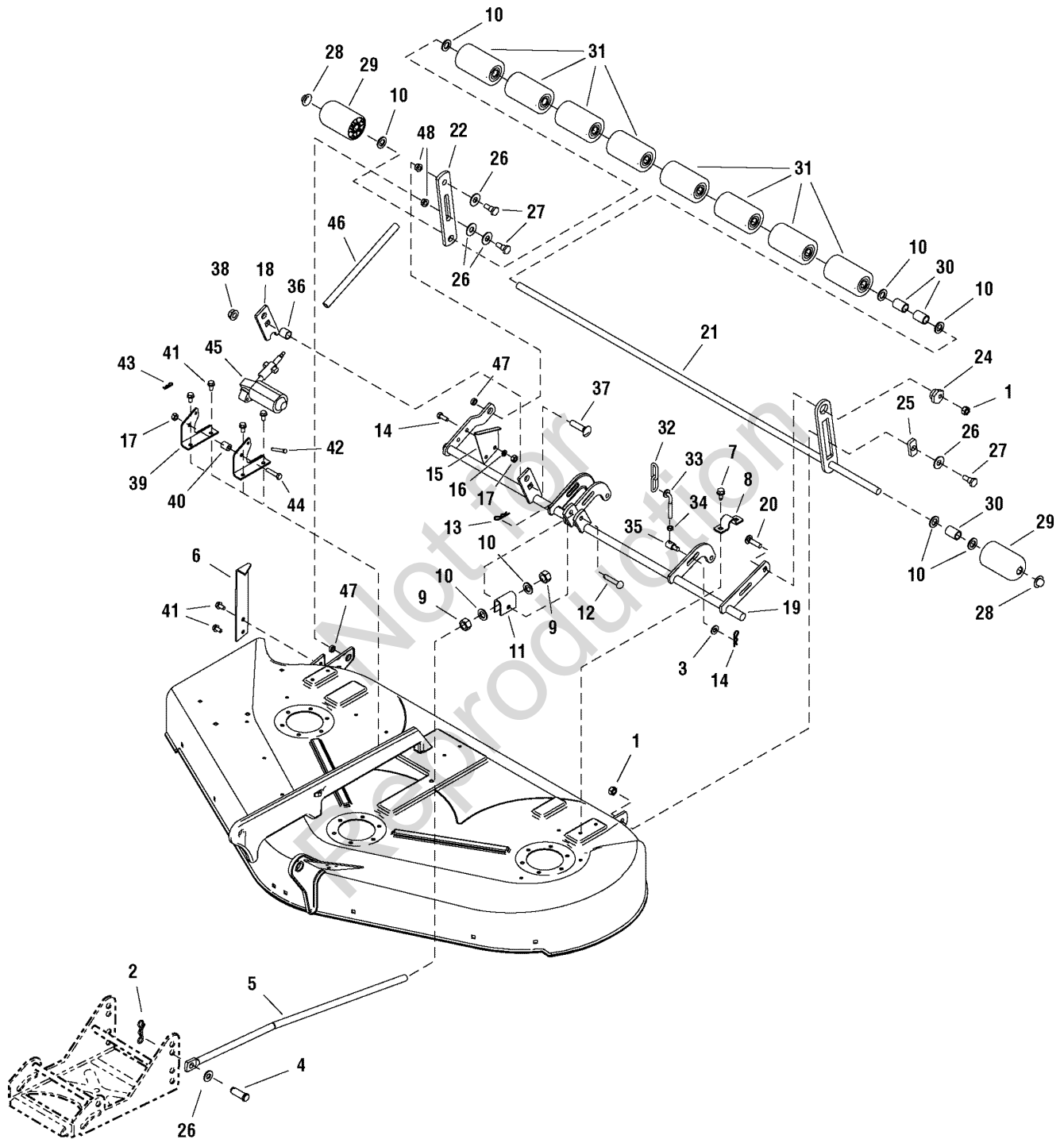
1695294 - 50" Mower

2690680 - Prestige

50" Mower Deck - Electric Height Adjustment & Roller Bar Group

987701

NOTE: Unless noted otherwise,
use the standard hardware torque
specification chart.



The above parts group applies to the following Mfg. Nos.:

1695294 - 50" Mower

2690680 - Prestige

50" Mower Deck - Electric Height Adjustment & Roller Bar Group

REF NO	PART NO.	QTY.	DESCRIPTION
1	2860681SM	2	NUT, Hex Toplock Spiral lock Flange 3/8-16
2	1722320SM	1	PIN, Locking
3	1924940SM	2	WASHER, 3/8
4	1960116SM	1	PIN, Clevis 1/2
5	1722995SM	1	ROD, Adjusting
6	1733524ASM	1	INDICATOR, Cutting Height 10GA
7	1664847SM	6	SCREW, Hex Washer Head Taptite 5/16-18 x 3/4
8	1665374SM	3	STRAP, Roller
9	1915726SM	2	NUT, Hex 5/8-11
10	1924366SM	8	WASHER, 5/8
11	1706645ASM	1	TRUNNION
12	2118053SM	1	PIN, Round Head Drilled 3/8 x 2
13	1960074SM	3	CLIP, Hair Pin
14	1923325SM	2	CAPSCREW, Hex Head 5/16-18 x 7/8 G5
15	1704116ASM	1	BRACKET, Height of Cut 16GA
16	1917356SM	2	LOCKWASHER, Spring 5/16
17	1917372SM	3	NUT, Hex 5/16-18
18	1733386ASM	1	ARM, Rear
19	1733522ASM	1	SHAFT ASSEMBLY, Rocker 50"
20	1931352SM	1	CARRIAGE BOLT, 3/8-16 x 1-1/2 G5
21	1716155ASM	1	SHAFT & BAR ASSEMBLY, Roller 50" Mower
22	1704074ASM	1	BAR
24	1704082SM	1	NUT, Hex Adjusting Powdered Metal
25	1677507SM	1	SLIDE
26	1924361SM	5	WASHER, 1/2
27	2172622SM	3	BOLT, Shoulder 3/8-16 G5
28	1960520SM	2	NUT, Push for 5/8 Diameter Stud Capped
29	1722036SM	2	ROLLER, Rounded
30	1709195SM	3	SPACER
31	1668513SM	8	ROLLER
32	1731383ASM	2	CHAIN, Link
33	1731384SM	2	ROD, Height Adjusting
34	1920161SM	2	NUT, Hex Jam 5/16-18
35	1731382SM	2	TRUNNION
36	1602946SM	1	SPACER, Split
37	1960706SM	1	CARRIAGE BOLT, 1/2-13 x 2 G5
38	1960689SM	1	NUT, Hex Toplock Flange 1/2-13
39	1733828ASM	2	BRACKET, Mounting 10GA
40	1673796SM	1	SPACER, Powdered Metal
41	1930601SM	6	SCREW, Hex Washer Head Taptite 5/16-18 x 5/8
42	1668344SM	1	PIN, Shear
43	1960221SM	1	CLIP, Hairpin
44	1921221SM	1	CAPSCREW, Hex Head 5/16-18 x 1-1/2 G5

Footnotes

The above parts group applies to the following Mfg. Nos.:

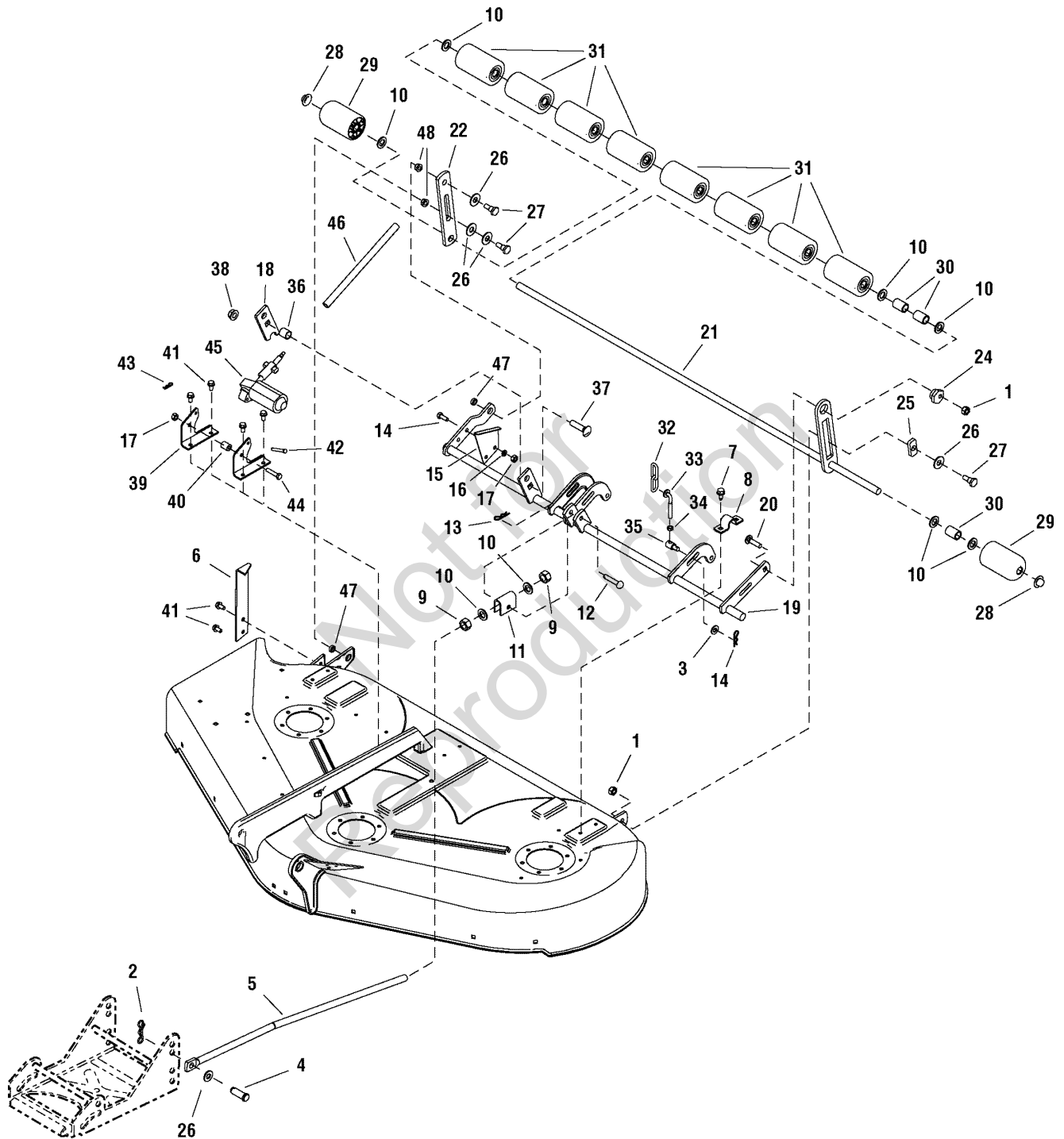
1695294 - 50" Mower

2690680 - Prestige

50" Mower Deck - Electric Height Adjustment & Roller Bar Group

987701

NOTE: Unless noted otherwise,
use the standard hardware torque
specification chart.



The above parts group applies to the following Mfg. Nos.:

1695294 - 50" Mower

2690680 - Prestige

50" Mower Deck - Electric Height Adjustment & Roller Bar Group

REF NO	PART NO.	QTY.	DESCRIPTION
45	1733513SM	1	MOTOR, Electric Mini EHO C Peerless
46	1733895SM	1	TUBE, Flexible, Split
47	1663752SM	2	SPACER
48	1960339SM	2	NUT, Hex Flange 3/8-16, Machine Lock Large

Not for
Reproduction

Footnotes

The above parts group applies to the following Mfg. Nos.:

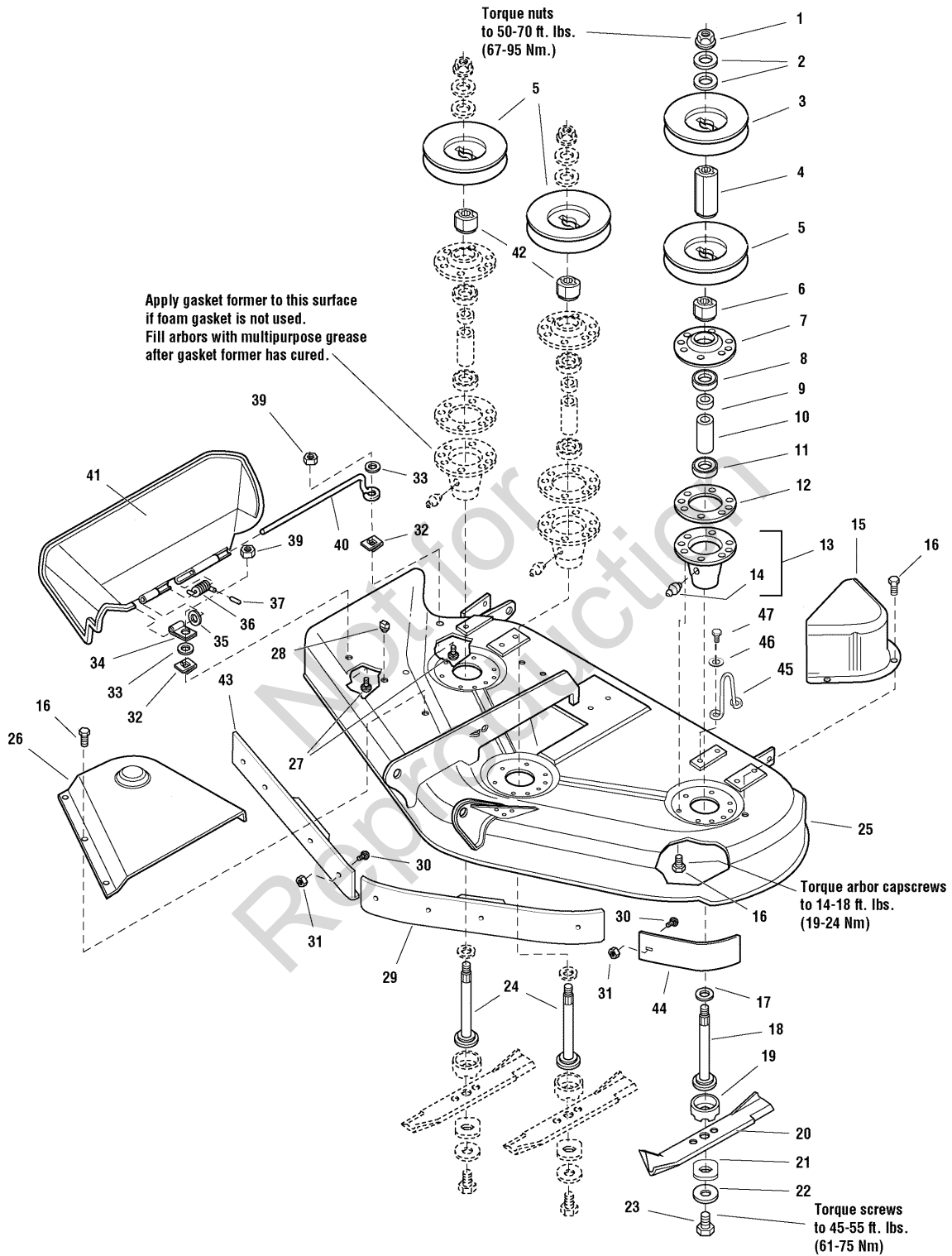
1695294 - 50" Mower

2690680 - Prestige

50" Mower Deck - Housing, Arbors & Blades Group

985972

NOTE: Unless noted otherwise, use the standard hardware torque specification chart.



The above parts group applies to the following Mfg. Nos.:

1695294 - 50" Mower

2690680 - Prestige

50" Mower Deck - Housing, Arbors & Blades Group

REF NO	PART NO.	QTY.	DESCRIPTION
1	1714419SM	3	NUT, Hex Flange, 9/16-18
2	1713675SM	6	WASHER, Bellevilled, 9/16
3	1713161SM	1	PULLEY
4	1713158SM	1	HUB, Double Pulley
5	1713098SM	3	PULLEY
6	1713533SM	1	HUB, Double Pulley
7	1655729ASM	3	COVER, Arbor Housing
8	2108202SM	3	BEARING, Ball, 3/4 x 1-3/4 x 5/8
9	1715724SM	3	SPACER, 21/32 x 3/4 x 5/8
10	1732544SM	3	SPACER, 11/16 x 5/32 x 2-11/16
11	1705897SM	3	BEARING, Ball, 11/16 x 1-9/16 x 15/32
12	1707335SM	3	GASKET, Foam
13	1713338ASM	3	HOUSING ASSEMBLY, Arbor Bottom, w/Lube Fitting (Includes Ref. No. 14)
14	1704314SM	3	FITTING, Grease
15	1720560ASM	1	COVER, Arbor
16	1664847SM	26	CAPSCREW, Hex Head Taptite, 5/16-18 x 3/4
17	1713619SM	3	WASHER, Bellevilled, 9/16, Black
18	1713612SM	1	SHAFT, Arbor (LH)
19	1713196SM	3	SHIELD, Grass, Lower
20	1708229ASM	3	BLADE, Mower, 18-1/8
21	1713089SM	3	WASHER, Hex, 11/16 x 2
22	1656916SM	3	WASHER, Spring 15/32, Black
23	2823471SM	3	CAPSCREW, Hex Head, 7/16-14 x 1
24	1713195SM	2	SHAFT, Arbor (Center & RH)
25	1685495SM	1	MOWER HOUSING ASSEMBLY, 50" Mower (Orange)
25	1687155SM	1	MOWER HOUSING ASSEMBLY, 50" Mower (Red)
26	1715673SM	1	COVER, Arbor
27	1931318SM	2	CARRIAGE BOLT, 1/4-20 x 7/8
28	1705115SM	1	PLUG, Hole
29	1716870ASM	1	BAFFLE, Anti-Blowout, LH (CE/Export)
30	1931333SM	2/11	CARRIAGE BOLT, 5/16-18 x 3/4
31	1927557SM	2/11	NUT, Hex, Whizlock, 5/16-18
32	1960518SM	2	NUT, Push
33	1960353SM	2	WASHER, 1/4, Black
34	1704873SM	1	CLAMP
35	1919326SM	1	WASHER, 5/16, Black
36	7101082SM	1	SPRING
37	1723323SM	1	CAP, Spring End
39	1920397SM	2	NUT, Hex, 1/4-20 ESNA
40	1706709SM	1	ROD, Deflector, Front
41	1705449SM	1	DEFLECTOR, Plastic
42	1713197SM	2	HUB, Pulley, Center & RH
43	1716869ASM	1	BAFFLE, Anti-Blowout, RH (CE/Export)

Footnotes

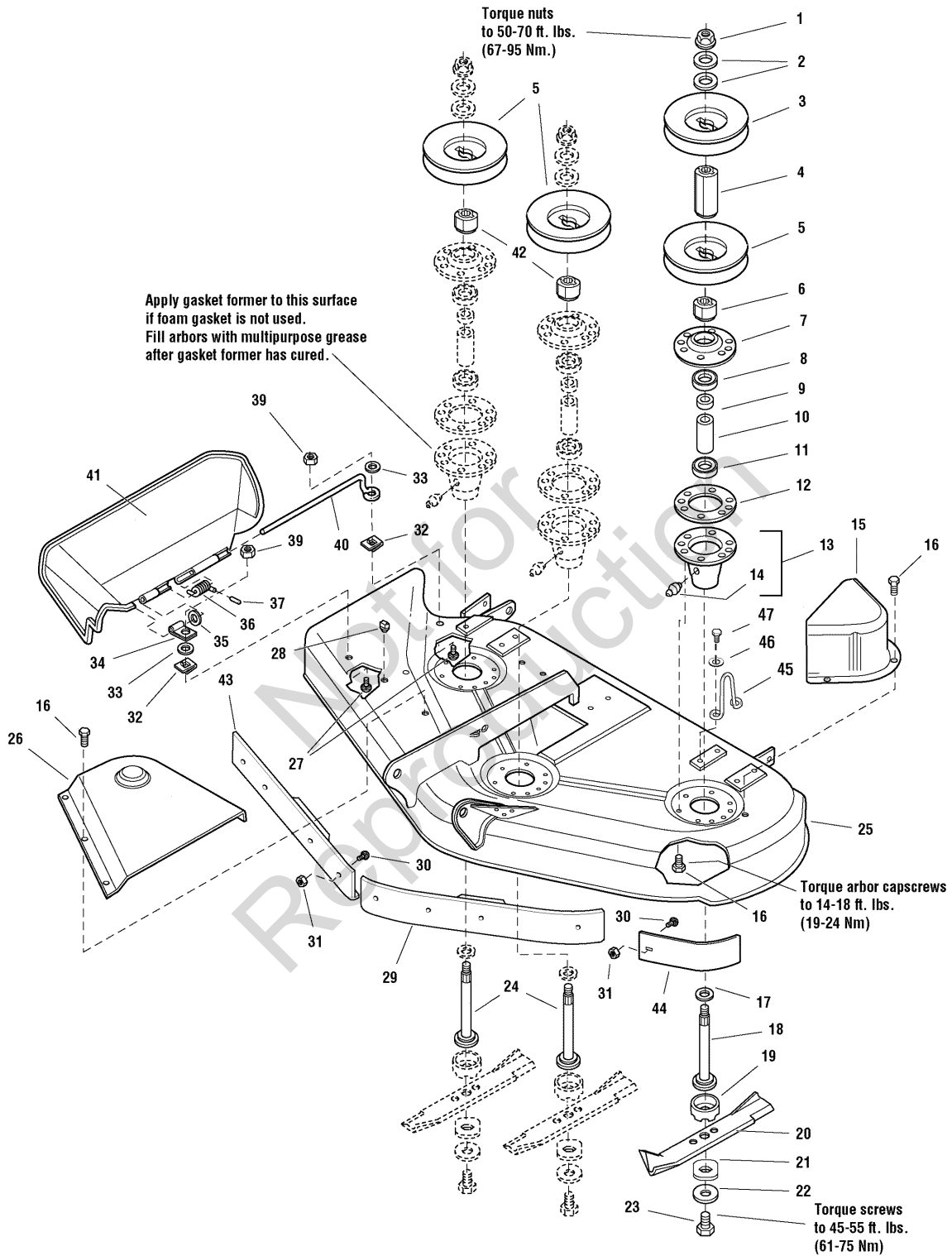
The above parts group applies to the following Mfg. Nos.:

1695294 - 50" Mower
2690680 - Prestige

50" Mower Deck - Housing, Arbors & Blades Group

985972

NOTE: Unless noted otherwise, use the standard hardware torque specification chart.



The above parts group applies to the following Mfg. Nos.:

1695294 - 50" Mower

2690680 - Prestige

50" Mower Deck - Housing, Arbors & Blades Group

REF NO	PART NO.	QTY.	DESCRIPTION
45	1719929SM	1	UPSTOP

Not for
Reproduction

Footnotes

The above parts group applies to the following Mfg. Nos.:

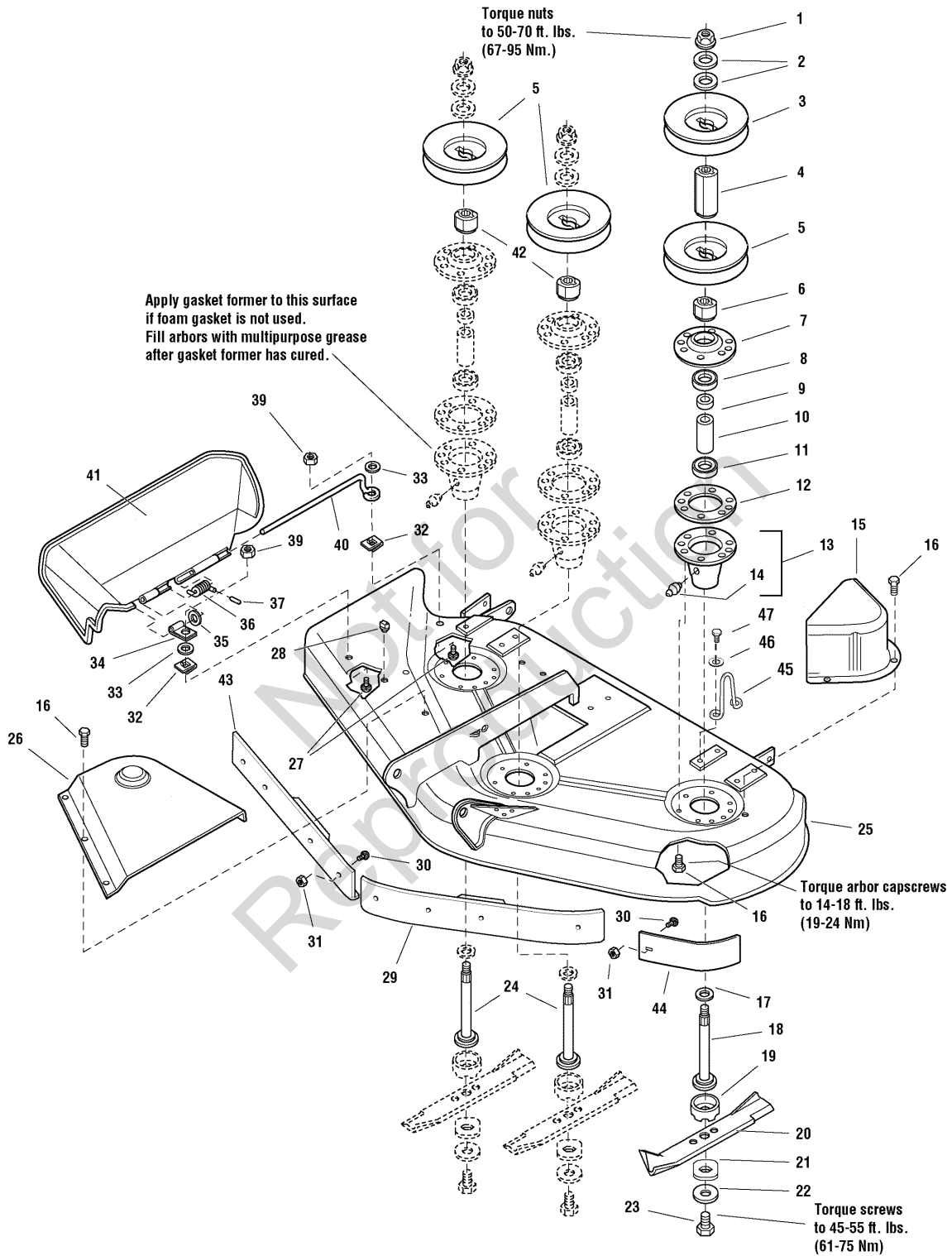
1695294 - 50" Mower

2690680 - Prestige

50" Mower Deck - Housing, Arbors & Blades Group

985972

NOTE: Unless noted otherwise, use the standard hardware torque specification chart.



The above parts group applies to the following Mfg. Nos.:

1695294 - 50" Mower

2690680 - Prestige

50" Mower Deck - Housing, Arbors & Blades Group

REF NO	PART NO.	QTY.	DESCRIPTION
44	1724538ASM	1	BAFFLE, Anit-Blowout
46	1924940SM	2	WASHER
47	1664847SM	1	CAPSCREW, Taptite 5/16-18 x 3/4

Not for
Reproduction

Footnotes

The above parts group applies to the following Mfg. Nos.:

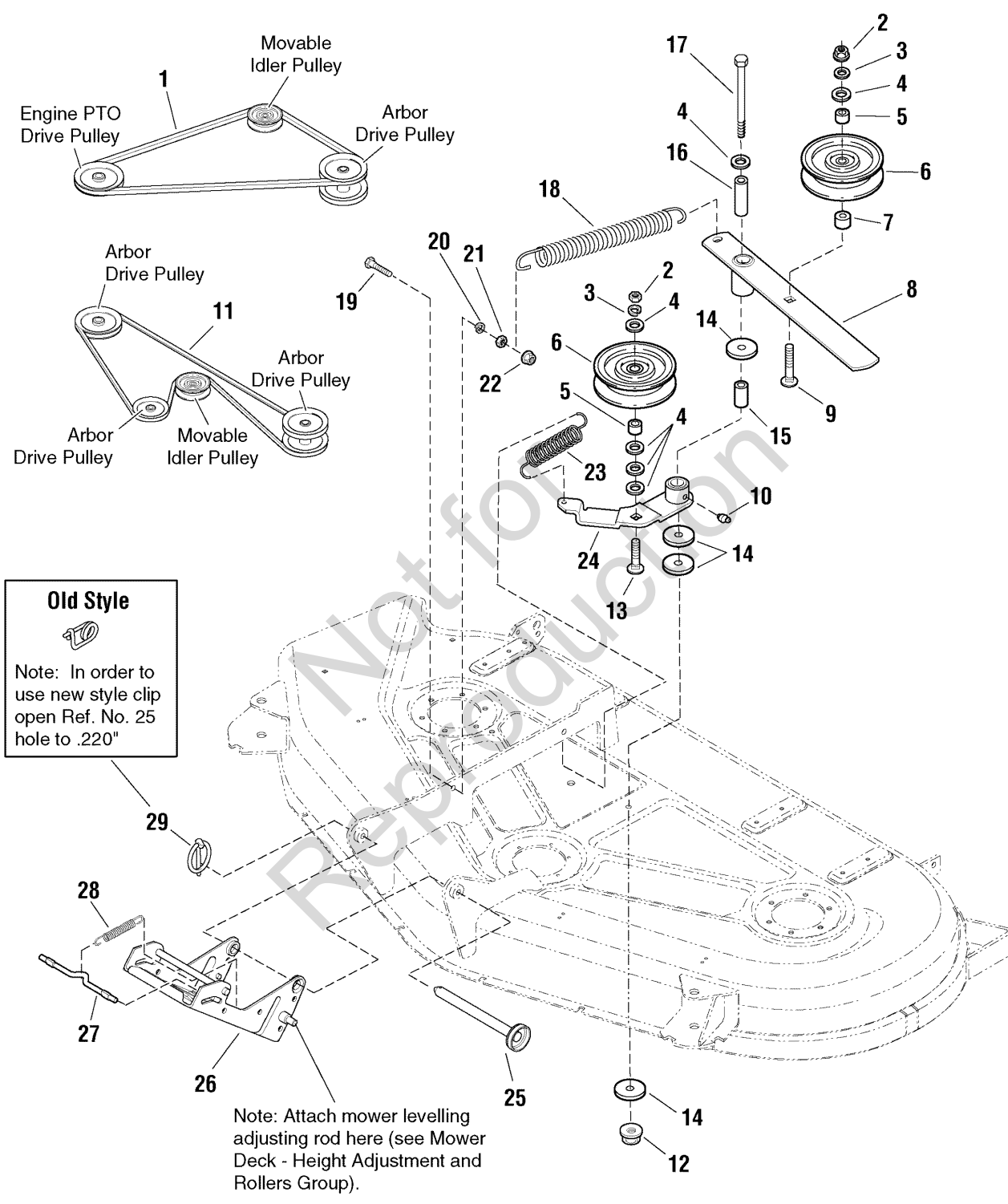
1695294 - 50" Mower

2690680 - Prestige

54" Mower Deck - Clutch & Support Group

987666

NOTE: Unless noted otherwise, use the standard hardware torque specification chart.



The above parts group applies to the following Mfg. Nos.:

- 1695266 - 54" Mower
- 2690681 - Prestige

54" Mower Deck - Clutch & Support Group

REF NO	PART NO.	QTY.	DESCRIPTION
1	1734065SM	1	V-BELT, Engine PTO
2	1916950SM	2	NUT, Hex, 3/8-16
3	1916965SM	2	WASHER, Lock, 3/8
4	1924940SM	6	WASHER, 3/8
5	1674669SM	2	SPACER
6	1724387SM	2	PULLEY
7	2157081SM	1	SPACER
8	1720379SM	1	ASSEMBLY, Lever
9	1960315SM	1	CARRIAGE BOLT, 3/8-16 x 2
10	2812808SM	1	FITTING, Lube
11	1671076SM	1	V-BELT, 54 Mower Deck
12	1960339SM	1	NUT, Hex Flange 3/8-16
13	1931352SM	1	CARRIAGE BOLT, 3/8-16 x 1-1/2
14	1924356SM	3	WASHER, 3/8
15	1674669SM	1	SPACER
16	1657242SM	1	SPACER
17	1960246SM	1	CAPSCREW, Hex Head, 3/8-16 x 4-1/2, G 5
18	1715435SM	1	SPRING
19	1921977SM	1	CAPSCREW, Hex Head, 5/16-18 x 1-1/4, G 5
20	1917356SM	1	WASHER, Lock, 5/16
21	1917372SM	1	NUT, Hex, 5/16-18
22	1923362SM	1	NUT, Hex Center-Lock 5/16-18
23	1656936SM	1	SPRING
24	1718561SM	1	ASSEMBLY, Lever
25	1720172SM	1	PIN, Hitch
26	1686873SM	1	ASSEMBLY, Hitch
27	1715759SM	1	ROD
28	2156302SM	1	SPRING
29	2176012SM	1	PIN, Safety
29	1709189SM*	1	PIN, Klik

Footnotes

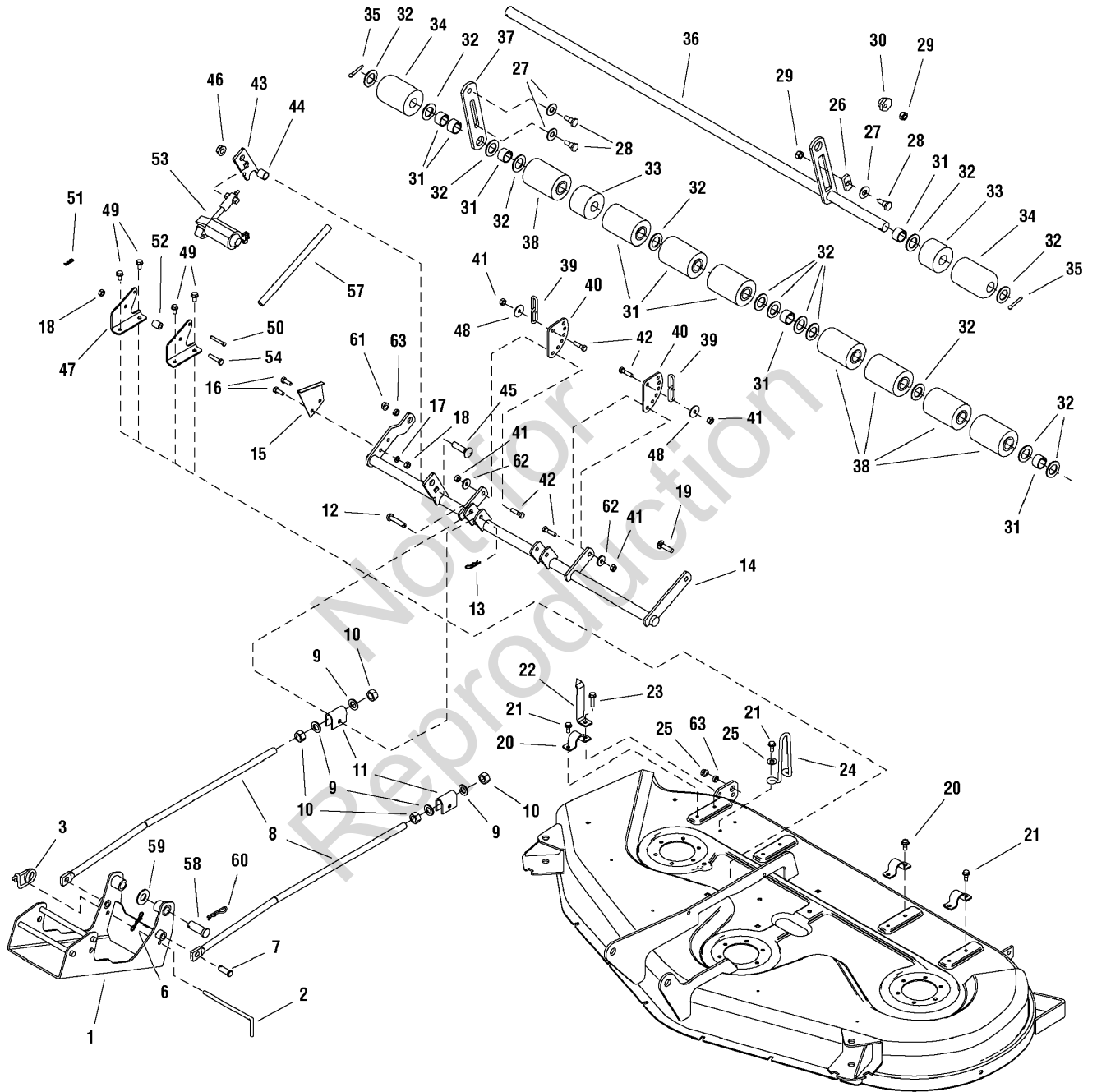
The above parts group applies to the following Mfg. Nos.:

1695266 - 54" Mower
2690681 - Prestige

54" Mower Deck - Electric Height Adjustment & Roller Bar Group

2987667

NOTE: Unless noted otherwise,
use the standard hardware torque
specification chart.



The above parts group applies to the following Mfg. Nos.:

1695266 - 54" Mower

2690681 - Prestige

54" Mower Deck - Electric Height Adjustment & Roller Bar Group

REF NO	PART NO.	QTY.	DESCRIPTION
1	1737046ASM	1	HITCH & ROD ASSEMBLY, 54"
2	1731414SM	1	ROD
3	2176012SM	1	PIN, Spring
6	1722320SM	2	PIN, Cotter Locking
7	1960116SM	2	PIN, Yoke
8	1722995SM	2	ROD, Adjusting
9	1924366SM	4	WASHER, 5/8
10	1915726SM	4	NUT, Hex 5/8-11
11	1706645ASM	2	TRUNNION
12	2118053SM	2	PIN, Round Head Drilled 3/8 x 2
13	1960074SM	2	CLIP, Hair Pin
14	1733523ASM	1	SHAFT ASSEMBLY, Rocker 54"
15	1704116ASM	1	BRACKET, Height of Cut
16	1923325SM	2	CAPSCREW, Hex Head 5/16-18 x 7/8 G5
17	1917356SM	2	LOCKWASHER, Spring 5/16
18	1917372SM	3	NUT, Hex 5/16-18
19	1931352SM	1	CARRIAGE BOLT, 3/8-16 x 1-1/2 G5
20	1720147ASM	3	STRAP, Rod
21	1960541SM	7	SCREW, Hex Washer Head Taptite 5/16-18 x 3/4
22	1720643ASM	1	INDICATOR, Height
23	1931202SM	1	SCREW, Hex Washer Head Taptite 5/16-18 x 1-1/4
24	1719929SM	1	STOP, Up
25	1924940SM	4	WASHER, 3/8
26	1677507SM	1	SLIDE
27	1924361SM	4	WASHER, 1/2
28	2172622SM	3	BOLT, Shoulder, 3/8-16 G5
29	2860681SM	2	NUT, Hex Toplock Spiralock Flange 3/8-16
30	1704082SM	1	NUT, Hex Adjusting Powdered Metal
31	1701873SM	6	SPACER
32	2860626SM	14	WASHER, 1
33	1720159SM	2	ROLLER
34	1678043SM	2	ROLLER
35	1918459SM	2	PIN, Cotter
36	1723008ASM	1	SHAFT & BAR ASSEMBLY
37	1723009ASM	1	BAR, Roller
38	1678042SM	8	ROLLER W/BUSHINGS
39	1731383ASM	2	CHAIN, Link
40	1734126ASM	2	BRACKET, Roller Adjust
41	1919438SM	4	NUT, Hex Lock ESNA Light 5/16-18
42	1921977SM	2	CAPSCREW, Hex Head 5/16-18 x 1-1/4 G5
43	1733520ASM	1	ARM, Rocker
44	1602946SM	1	SPACER
45	1960706SM	1	CARRIAGE BOLT, 1/2-13 x 2 G5

Footnotes

The above parts group applies to the following Mfg. Nos.:

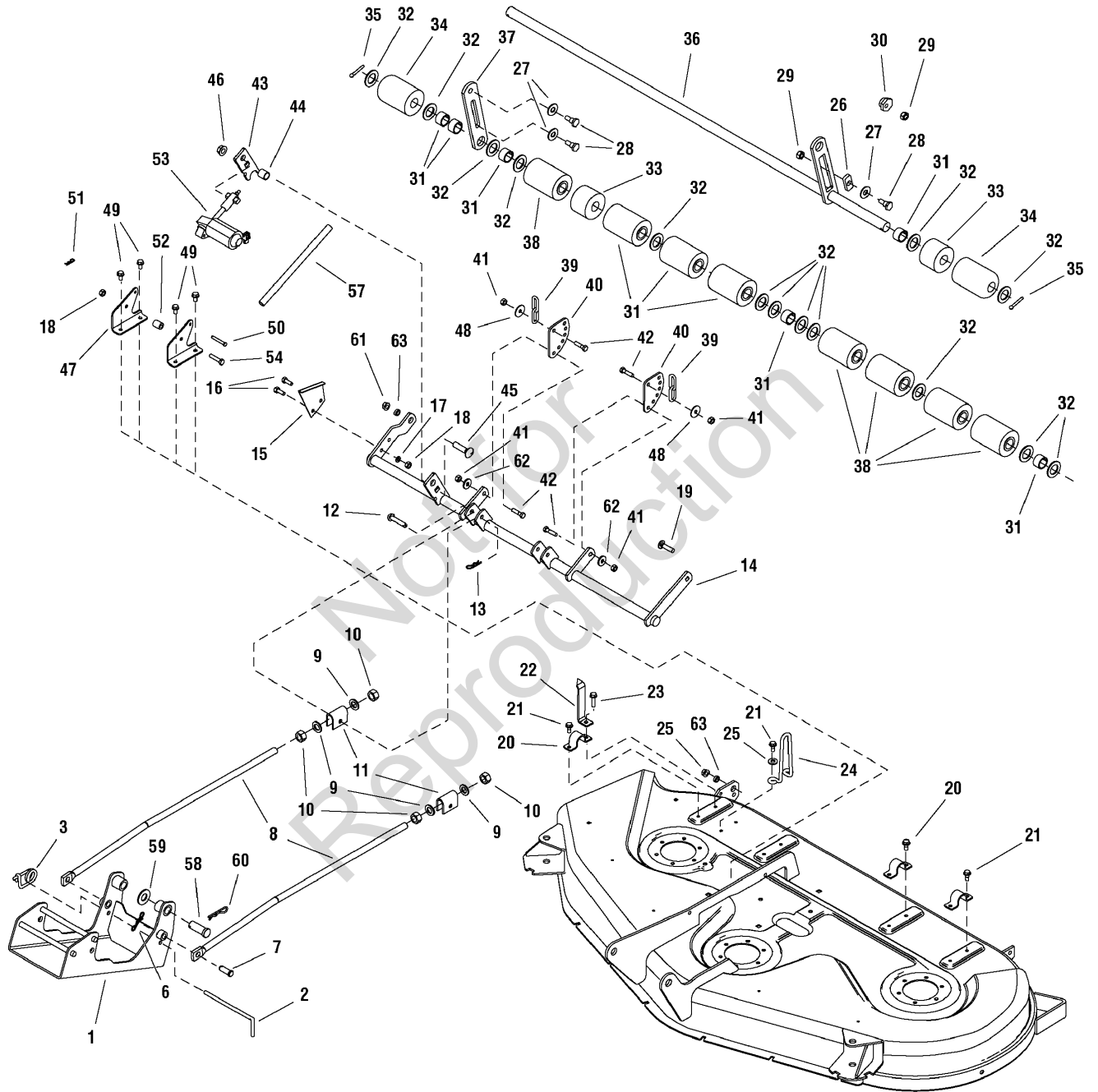
1695266 - 54" Mower

2690681 - Prestige

54" Mower Deck - Electric Height Adjustment & Roller Bar Group

2987667

NOTE: Unless noted otherwise,
use the standard hardware torque
specification chart.



The above parts group applies to the following Mfg. Nos.:

1695266 - 54" Mower

2690681 - Prestige

54" Mower Deck - Electric Height Adjustment & Roller Bar Group

REF NO	PART NO.	QTY.	DESCRIPTION
46	1960689SM	1	NUT, Hex Toplock Flange 1/2-13
47	1733831ASM	2	BRACKET, Mounting
48	1960044SM	2	WASHER, 5/16
49	1930601SM	4	SCREW, Hex Washer Head Taptite 5/16-18 x 5/8
50	1668344SM	1	PIN, Shear
51	1960221SM	1	CLIP, Hairpin
52	1673796SM	1	SPACER, Powdered Metal
53	1733513SM	1	MOTOR, Electric Mini Actuator
54	1921221SM	1	CAPSCREW, Hex Head 5/16-18 x 1-1/2 G5
57	1733895SM	1	TUBE, Flexible
58	1736965SM	2	PIN, Clevis
59	1960061SM	2	WASHER, 3/4
60	1709189SM	2	CLIP, Hair Pin
61	1960339SM	2	NUT, Hex Flange 3/8-16 Machine Lock
62	1919381SM	2	WASHER, 5/16
63	1663752SM	2	SPACER

Not for
Reproduction

Footnotes

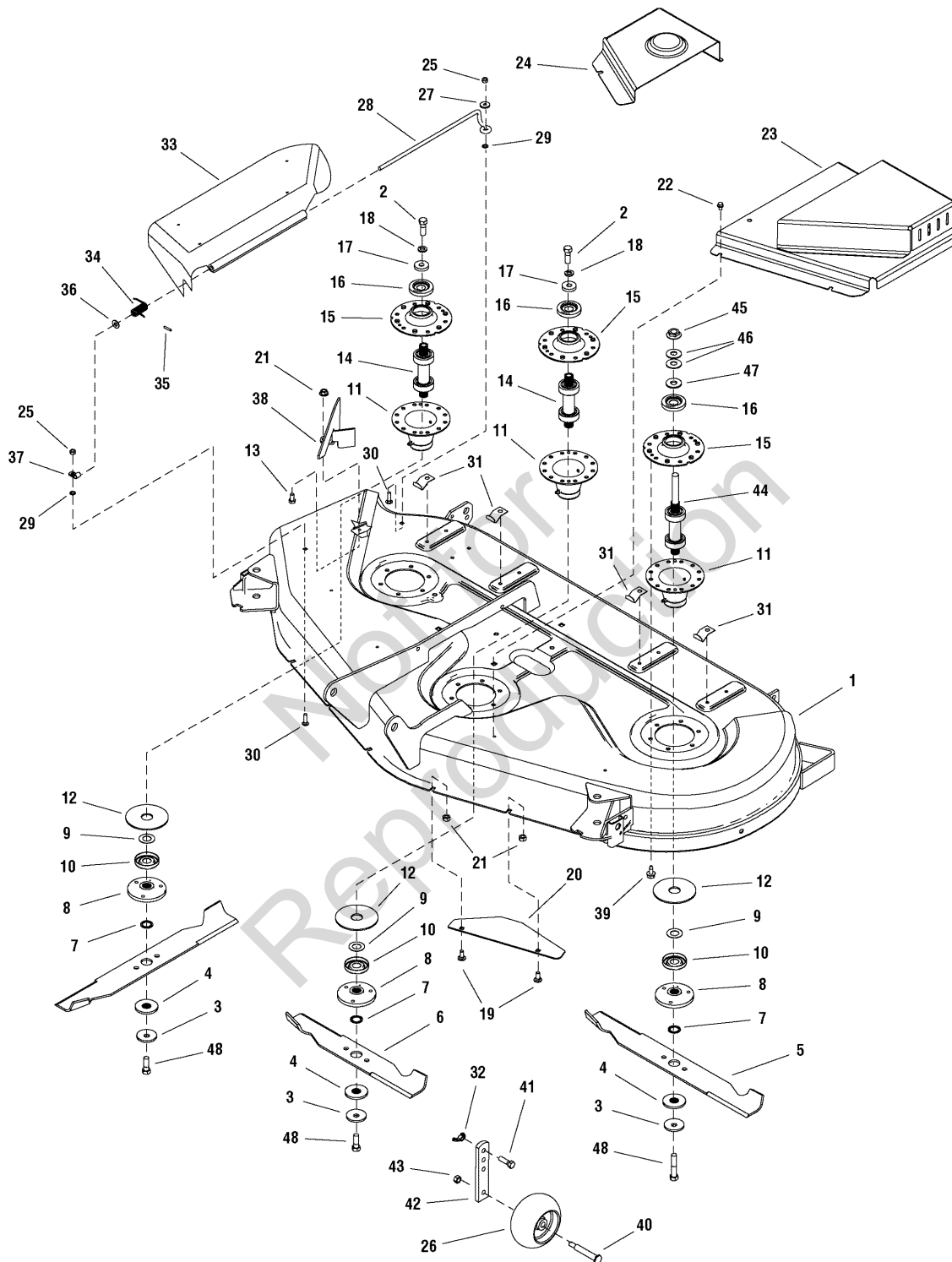
The above parts group applies to the following Mfg. Nos.:

1695266 - 54" Mower
2690681 - Prestige

54" Mower Deck - Housing & Arbor Group

987553

NOTE: Unless noted otherwise,
use the standard hardware torque
specification chart.



The above parts group applies to the following Mfg. Nos.:

1695266 - 54" Mower

2690681 - Prestige

54" Mower Deck - Housing & Arbor Group

REF NO	PART NO.	QTY.	DESCRIPTION
1	1687310SM	1	HOUSING ASSEMBLY, 54" Mower, Orange
1	1687311SM	1	HOUSING ASSEMBLY, 54" Mower, Red
2	2823471SM	5	CAPSCREW, Hex Head 7/16-14 x 1-1/4 G8
3	1656916SM	3	WASHER, Spring
4	1679711SM	3	WASHER, Splined
5	1725921SM	2	BLADE, Mower 20.56
6	1725922SM	1	BLADE, Mower 16.00
7	1657528SM	3	RETAINING RING, Self Locking
8	1655777SM	3	ADAPTER, Blade
9	1700230SM	3	WASHER, Shim
10	1700229SM	3	SHIELD, Bearing
11	1703273ASM	3	HOUSING & FITTING ASSEMBLY, Lower
12	1707335SM	3	GASKET, Foam
13	1925205SM	1	CAPSCREW, Hex Head 5/16-18 x 5/8 G5
14	1676278SM	2	ARBOR SHAFT & BEARINGS ASSEMBLY
15	1655729ASM	3	HOUSING, Arbor Top
16	1657969SM	3	SHIELD, Bearing, Mower Arbor, Upper
17	1933263SM	2	WASHER
18	1918199SM	2	LOCKWASHER, Spring
19	1931333SM	2	CARRIAGE BOLT, 5/16-18 x 3/4 G5
20	1720962ASM	1	BAFFLE, Front
21	1960684SM	3	NUT, Hex KEPS 5/16-18 Conical Washer
22	1927428SM	4	SCREW, Hex Washer Head Taptite 1/4-20 x 3/8
23	1720621CSM	1	COVER ASSEMBLY, Upper, Orange
23	1720621DSM	1	COVER ASSEMBLY, Upper, Red
24	1733373CSM	1	COVER, Arbor R.H. 54", Orange
24	1733373DSM	1	COVER, Arbor R.H. 54", Red
25	1920397SM	2	NUT, Hex Lock ESNA Light 1/4-20
26	1700184SM	2	WHEEL
27	1960353SM	1	WASHER, 1/4
28	1706709SM	1	ROD, Deflector, Front
29	1960518SM	2	NUT, Push
30	1960698SM	2	CARRIAGE BOLT, 1/4-20 x 1 G5
31	1720623SM	4	CLIP, Spring
32	7091049SM	2	NUT, Wing 3/8-16
33	1705449SM	1	DEFLECTOR
34	7101082SM	1	SPRING, Torsion, Chute
35	1723323SM	1	CAP
36	1919326SM	1	WASHER, 5/16
37	1704873SM	1	CLAMP, Wire
38	1724976ASM	1	BAFFLE, Discharge
39	1664847SM	18	SCREW, Hex Washer Head Taptite 5/16-18 x 3/4
40	7029265SM	2	BOLT, Shoulder, 3/8-16

Footnotes

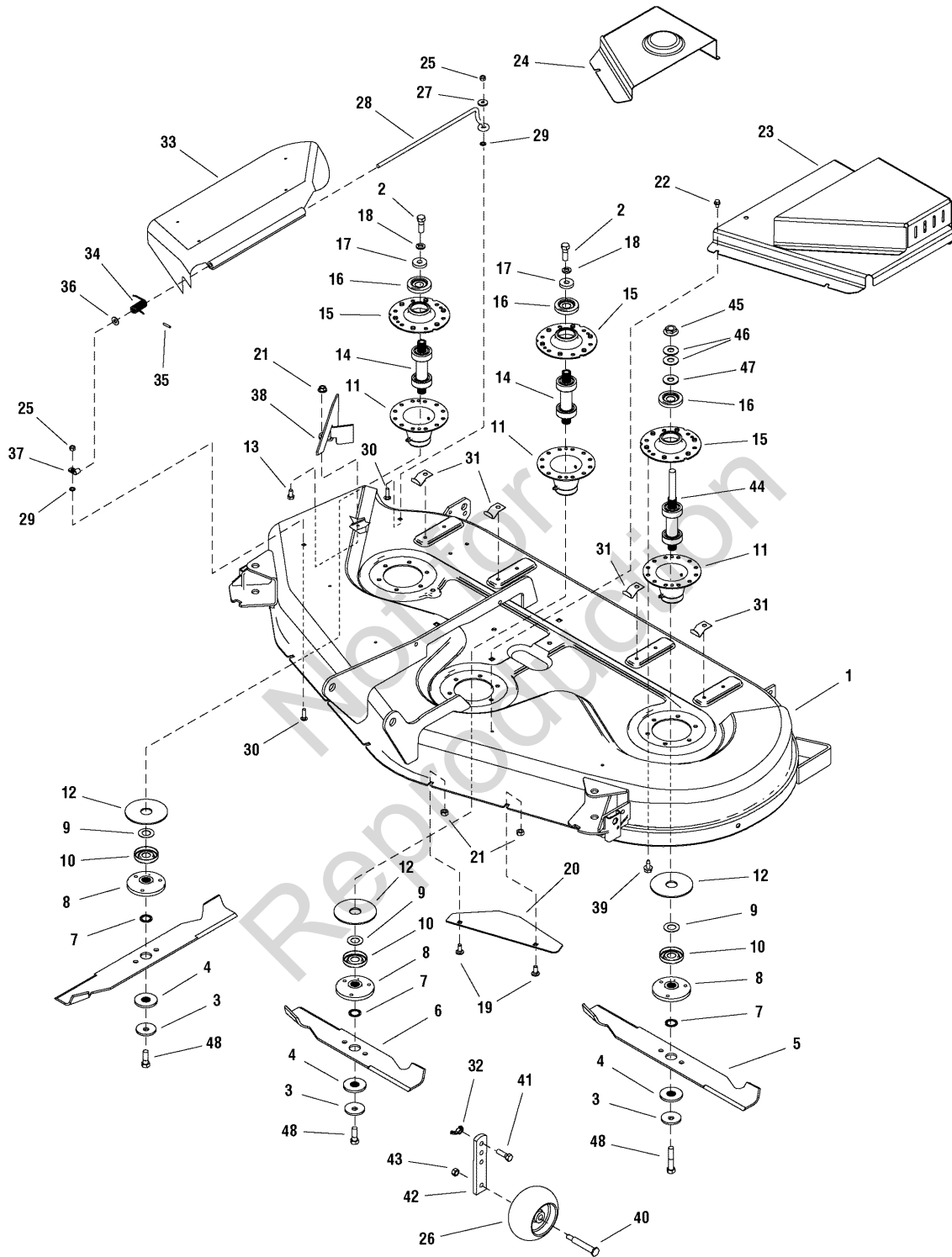
The above parts group applies to the following Mfg. Nos.:

1695266 - 54" Mower
2690681 - Prestige

54" Mower Deck - Housing & Arbor Group

987553

NOTE: Unless noted otherwise,
use the standard hardware torque
specification chart.



The above parts group applies to the following Mfg. Nos.:

1695266 - 54" Mower

2690681 - Prestige

54" Mower Deck - Housing & Arbor Group

REF NO	PART NO.	QTY.	DESCRIPTION
41	1920415SM	2	CAPSCREW, Hex Head 3/8-16 x 1-1/4 G5
42	7035835SM	2	POST, Anti-Scalp
43	1930645SM	2	NUT, Hex Flange 3/8-16 Two-Way Lock
44	1726825SM	1	ARBOR SHAFT & BEARINGS ASSEMBLY, 40"
45	1714419SM	1	NUT, Hex Flange 9/16-18
46	1713675SM	2	WASHER, Bellville
47	1918431SM	1	WASHER, 1/2
48	2827120SM	1	CAPSCREW, Hex Head 7/16-14 x 2-1/4 G8

Not for
Reproduction

Footnotes

The above parts group applies to the following Mfg. Nos.:

1695266 - 54" Mower

2690681 - Prestige

Not for
Reproduction

Hardware Identification & Torque Specifications

Torque Specification Chart								
FOR STANDARD METRIC MACHINE HARDWARE (Tolerance ± 20%)								
Property Class	5.6		8.8		10.9		12.9	
	Class 5.6		Class 8.8		Class 10.9		Class 12.9	
Size Of Hardware	in/lbs	Nm.	in/lbs	Nm.	in/lbs	Nm.	in/lbs	Nm.
	ft/lbs		ft/lbs		ft/lbs		ft/lbs	
M3	5.88	.56	13.44	1.28	19.2	1.80	22.92	2.15
M4	13.44	1.28	30.72	2.90	43.44	4.10	52.56	4.95
M5	26.4	2.50	60.96	5.75	5.97	8.10	7.15	9.7
M6	44.64	4.3	7.3	9.9	10.3	14	12.1	16.5
M7	5.2	7.1	12.1	16.5	16.9	23	19.9	27
M8	7.7	10.5	17.7	24	25	34	29	40
M10	15	21	35	48	50	67	59	81
M12	26	36	61	83	86.2	117	103	140
M14	42	58	101	132	136	185	162	220
M16	64	88	147	200	210	285	250	340
M18	89	121	202	275	287	390	346	470
M20	126	171	290	390	405	550	486	660
M22	169	230	390	530	559	745	656	890
M24	217	295	497	375	708	960	840	1140
M27	320	435	733	995	1032	1400	1239	1680
M30	435	590	995	1350	1401	1900	1681	2280
M33	590	800	1349	1830	1902	2580	2278	3090
M36	759	1030	1740	2360	2441	3310	2935	3980
M39	988	1340	2249	3050	3163	4290	3798	5150

Torque Specification Chart						
FOR STANDARD MACHINE HARDWARE (Tolerance ± 20%)						
Hardware Grade	No Marks		SAE Grade 5		SAE Grade 8	
	SAE Grade 2		SAE Grade 5		SAE Grade 8	
Size Of Hardware	in/lbs	Nm.	in/lbs	Nm.	in/lbs	Nm.
	ft/lbs		ft/lbs		ft/lbs	
8-32	19	2.1	30	3.4	41	4.6
8-36	20	2.3	31	3.5	43	4.9
10-24	27	3.1	43	4.9	60	6.8
10-32	31	3.5	49	5.5	68	7.7
1/4-20	66	7.6	8	10.9	12	16.3
1/4-28	76	8.6	10	13.6	14	19.0
5/16-18	11	15.0	17	23.1	25	34.0
5/16-24	12	16.3	19	25.8	29	34.0
3/8-16	20	27.2	30	40.8	45	61.2
3/8-24	23	31.3	35	47.6	50	68.0
7/16-14	30	40.8	50	68.0	70	95.2
7/16-20	35	47.6	55	74.8	80	108.8
1/2-13	50	68.0	75	102.0	110	149.6
1/2-20	55	74.8	90	122.4	120	163.2
9/16-12	65	88.4	110	149.6	150	204.0
9/16-18	75	102.0	120	163.2	170	231.2
5/8-11	90	122.4	150	204.0	220	299.2
5/8-18	100	136	180	244.8	240	326.4
3/4-10	160	217.6	260	353.6	386	525.0
3/4-16	180	244.8	300	408.0	420	571.2
7/8-9	140	190.4	400	544.0	600	816.0
7/8-14	155	210.8	440	598.4	660	897.6
1-8	220	299.2	580	788.8	900	1,244.0
1-12	240	326.4	640	870.4	1,000	1,360.0

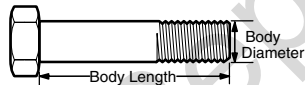
The guides and ruler furnished below are designed to help you select the appropriate hardware.



Nut, M8

Thread Diameter (mm)
Inside Diameter (in)
Threads per inch

Nut, 1/2-16



Screw, M8 - 1.25 x 25

Thread Diameter (mm)
Body Diameter
Distance between threads (mm)
Threads per inch
Body Length (mm)
Body Length (in)

Screw, 1/2- 16 x 2



Standard Hardware Sizing

When a washer or nut is identified as **1/2"** (M8), this is the *Nominal size*, meaning the *inside diameter* is 1/2 inch (8mm metric thread diameter); if a second number is present it represents the *threads per inch* (distance between threads).

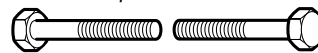
When bolt or capscrew is identified as **1/2 - 16 x 2"** (M8 - 1.25 x 50), this means the *Nominal size*, or body diameter is 1/2 inch (8mm metric thread diameter), the second number, 16, represents the *threads per inch*, (1.25 thread diameter). The final number is the body length of the bolt or screw, 2 inches (50mm).

NOTES

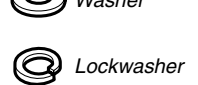
- These torque values are to be used for all hardware excluding: locknuts, self-tapping screws, thread forming screws, sheet metal screws and socket head setscrews.
- Recommended seating torque values for locknuts:
 - for prevailing torque locknuts - use 65% of grade 5 torques.
 - for flange whizlock nuts and screws - use 135% of grade 5 torques.
- Unless otherwise noted on assembly drawings, all torque values must meet this specification.

Common Hardware Types

Hex Head Capscrew



Washer



Carriage Bolt



Hex Nut

Wrench & Fastener Size Guide

1/4" Bolt or Nut Wrench—7/16"	5/16" Bolt or Nut Wrench—1/2"	3/8" Bolt or Nut Wrench—9/16"	7/16" Bolt or Nut Wrench (Bolt)—5/8" Wrench (Nut)—11/16"	1/2" Bolt or Nut Wrench—3/4"
M6 Bolt or Nut Wrench—10mm	M8 Bolt or Nut Wrench—13mm	M10 Bolt or Nut Wrench—17mm	M12 Bolt or Nut Wrench—19mm	M14 Bolt or Nut Wrench—22mm

Not for
Reproduction

**IT IS THE POLICY OF BRIGGS & STRATTON CORP. TO IMPROVE ITS PRODUCTS
WHENEVER IT IS POSSIBLE AND PRACTICAL TO DO SO. WE RESERVE THE RIGHT TO
MAKE CHANGES OR ADD IMPROVEMENTS AT ANY TIME WITHOUT INCURRING ANY
OBLIGATION TO MAKE SUCH CHANGES ON PRODUCTS.**

Briggs & Stratton Yard Power Products Group

3515 N. 124 Street / PO Box 702
Wauwatosa, WI 53222 USA

www.simplicitymfg.com

© Copyright 2009 by Briggs & Stratton Corporation
Milwaukee, WI, USA. All rights reserved