

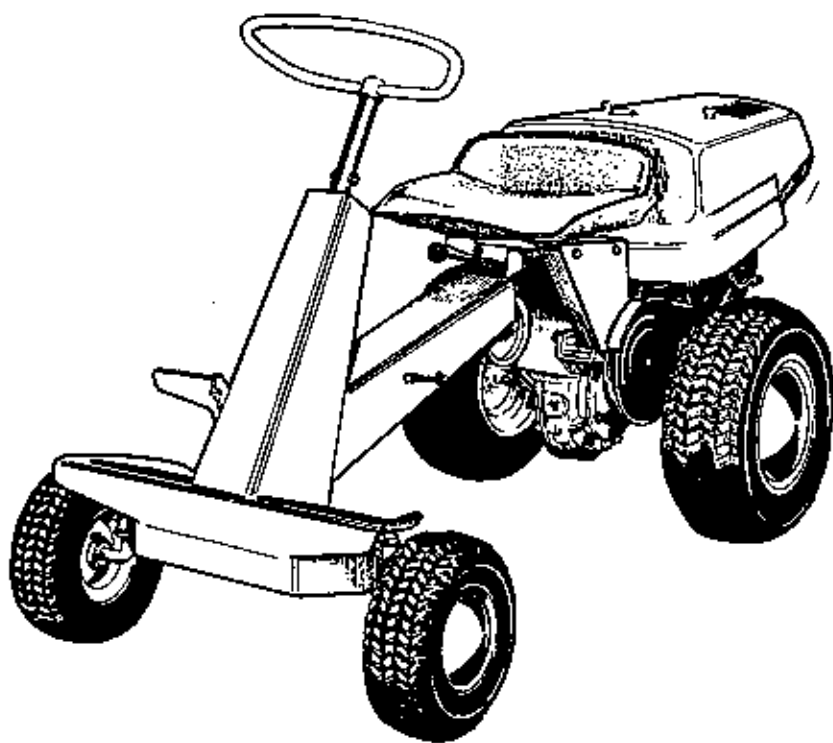
# ***Simplicity***

**WONDER BOY SUPER 606**

**MFR'S. NO. 329**

**WONDER BOY SPECIAL 606**

**MFR'S. NO. 332**



**32" ROTARY MOWER**

**MFR'S. NO. 333**

**FOR NO. 329 & 332 WONDER BOY**

# ASSEMBLY

This rider is packed in one carton, and is completely assembled except for the steering wheel and the hood.

Attach the steering wheel column to the steering post with 5/16" screw and nut provided. Select the height position that is most comfortable for the operator. Position the hood over engine and secure with four wing nuts.

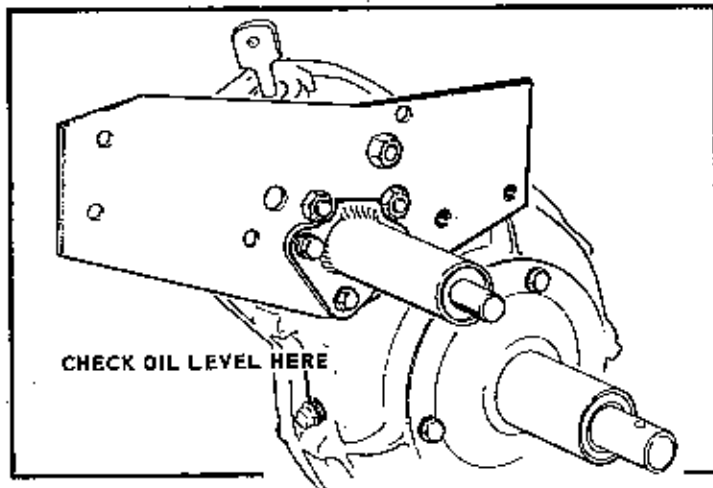


FIGURE 1

## PREPARATION FOR OPERATION

1. Reduce tire pressures to 6 lbs. in front, and 6 lbs. in rear. SPECIAL 12 FRONT 15 REAR
2. Check oil level in transmission case. (Fig. 1)
3. Apply a shot or two of grease to the two front wheel spindle housings, wheel hubs, transmission input pulley and intermediate pulley assemblies (Fig. 2).
4. Oil clutch and brake linkage pivot points. (Fig. 3); and check for proper operation. Refer to Fig. 4 for Adjustment Dimensions.
5. Prepare the engine in accordance with the engine manufacturers recommendation in the engine manual provided.
6. After the initial "run-in" period, re-check pulley alignment and clutch and brake linkage operation. Also check and re-tighten all pulley set screws.

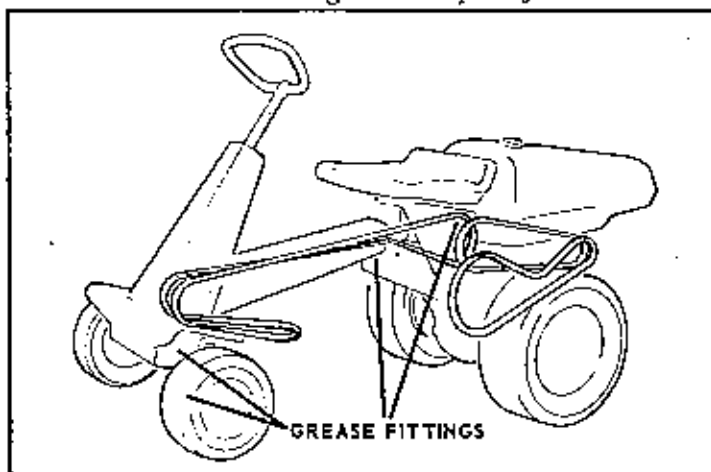


FIGURE 2

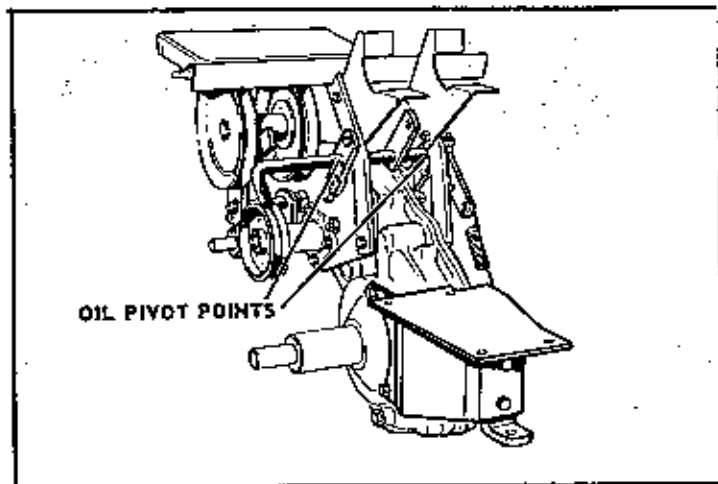


FIGURE 3

## OPERATION

**NOTE:** Make certain transmission is in neutral, and implement is declutched before starting engine.

Open throttle lever about half way, (Fig. 5) then move choke lever (Fig. 6) to full choke position. Pull recoil starter rope. When engine starts, gradually return the choke to its normal position.

The clutch and brake are operated by the pedal on the right front foot rest (Fig. 5). Depressing the pedal de-clutches the transmission for shifting, and applies the brake. Change gears only when the rider is at a standstill and properly de-clutched (Fig. 7). With the clutch pedal depressed, move the shift lever into the gear position desired. Then release clutch lever gradually to put the rider into motion.

Select the engine speed desired by means of the throttle lever located in front of the operator's seat. (Fig. 5).

To stop, depress the foot pedal all the way, then shift gears into the neutral position. Rotate the throttle lever to the stop position to cut off the engine ignition.

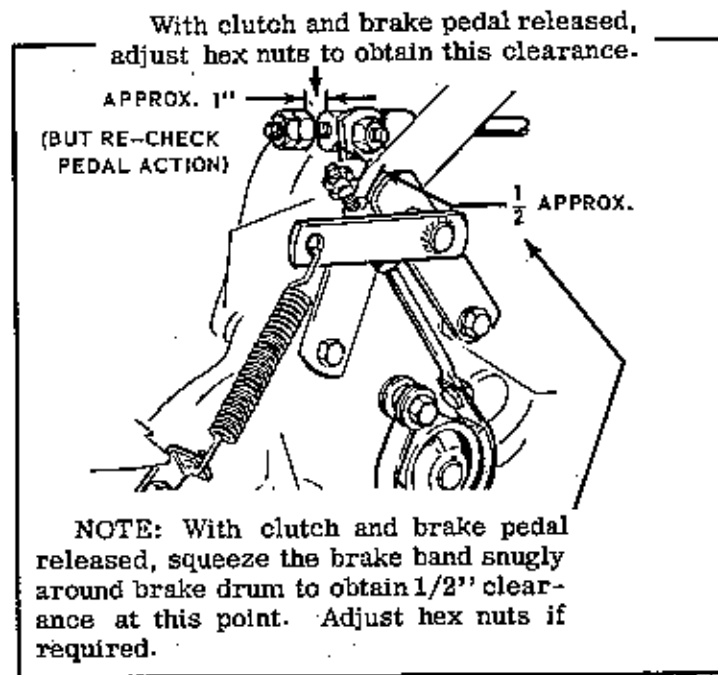


FIGURE 4

# MAINTENANCE

Follow regular procedures for engine maintenance as described in the engine manual. Check the crankcase oil level every 5 hours, and change oil in crankcase and air cleaner at least every 20 hours of use.

2. Grease all fittings every 5 hours of use. See Fig.2
3. Check the oil level in the transmission at least every 25 hours. Use SAE #90 transmission oil. See Fig. 1.
4. Oil the clutch and brake linkage pivot points every five hours of use.
5. Inspect pulley alignment, and check tightness of all pulley set screws after each 25 hours of use.
6. Maintain tire pressures at approximately 6 lbs. in front, and 6 lbs. in rear for SUPER. For the SPECIAL, 12 lbs. in front, and 15 lbs in rear.

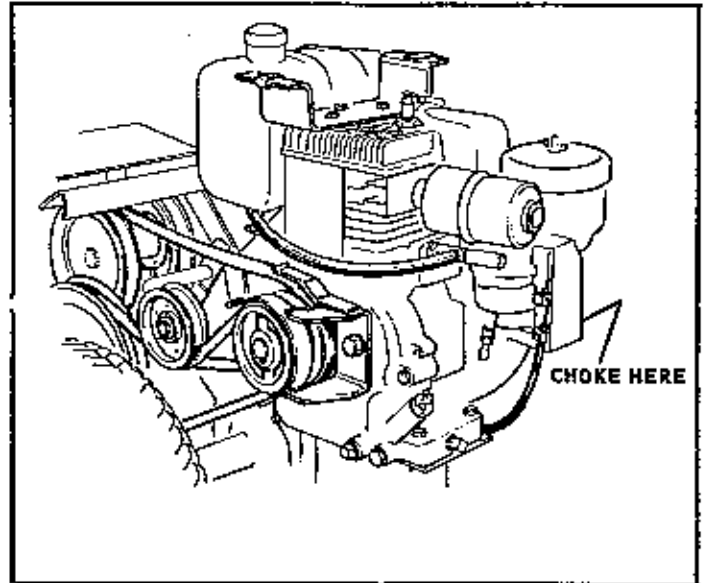


FIGURE 6

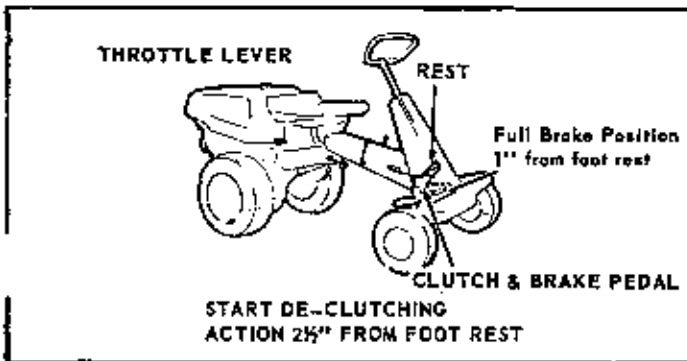


FIGURE 5

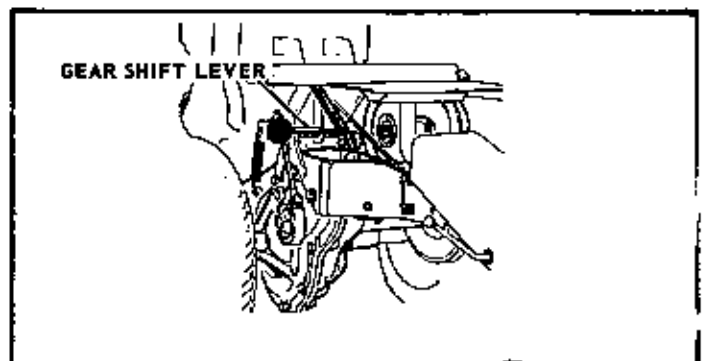


FIGURE 7

Should warranty service be necessary, the information below should be presented to the authorized SIMPLICITY Dealer.

Customer's Name \_\_\_\_\_

Mfg. No. \_\_\_\_\_ Serial No. \_\_\_\_\_

Date Purchased \_\_\_\_\_

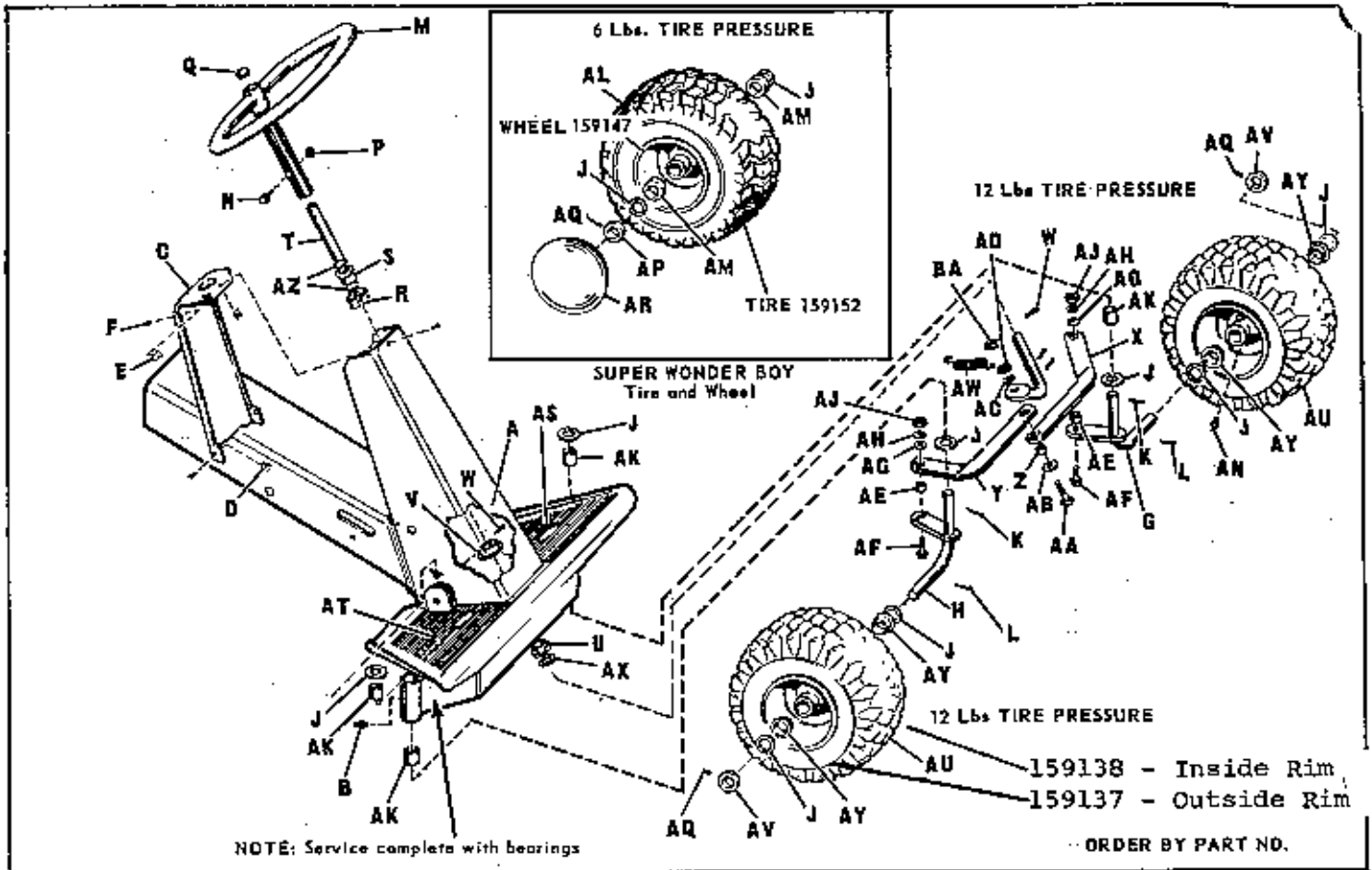
Purchased From \_\_\_\_\_

Address \_\_\_\_\_

Engine Model No. \_\_\_\_\_ Serial No. \_\_\_\_\_ Type No. \_\_\_\_\_

To obtain replacement parts from dealer, advise quantity, part number and description.

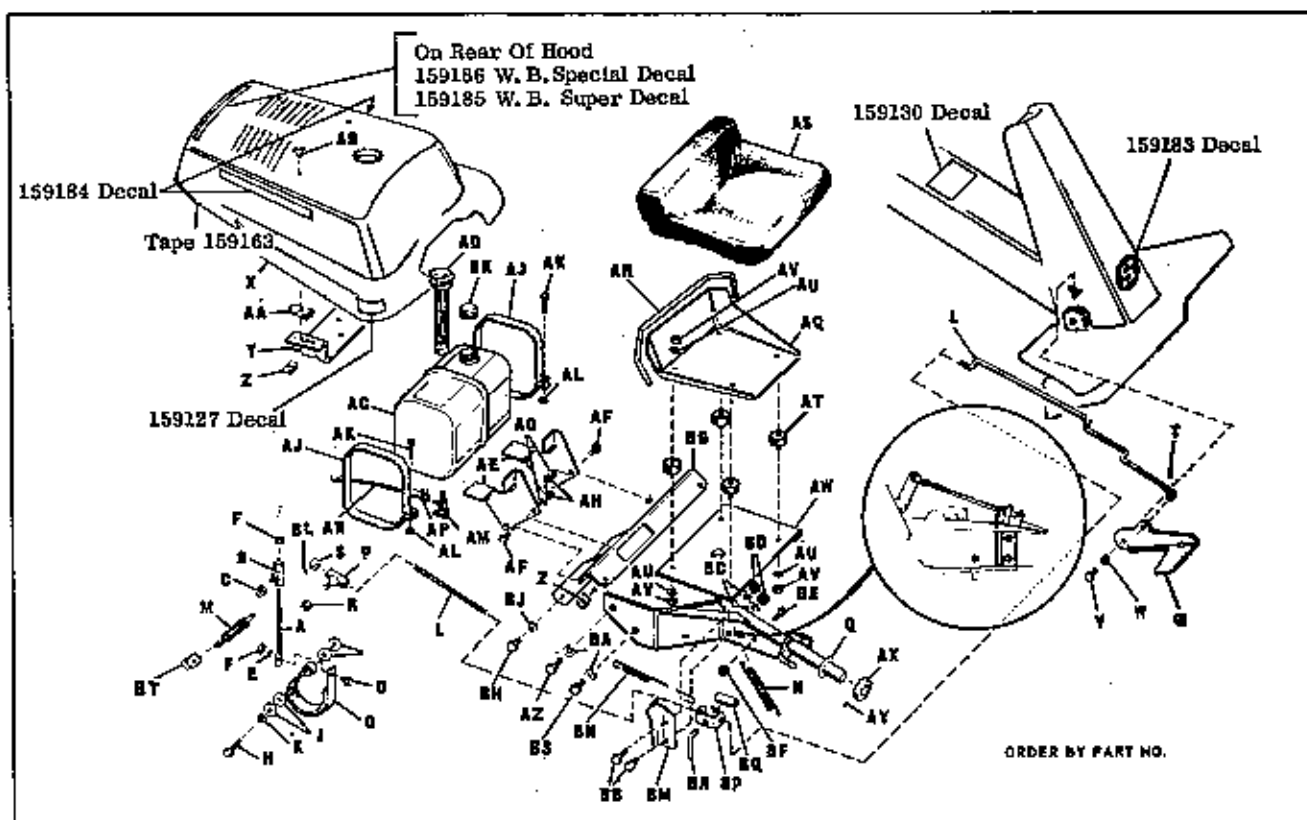
# STEERING & FRONT WHEELS



Ref. Let.	Part No.	Description
A	159001	Frame & Axle Assembly, Front
B	727002	Grease Fitting, #1641 Alemite
C	159018	Cover, Steering Shaft Support
D	718036	Speed Nut, Tinnerman
E	718009	Speed Nut, Tinnerman
F	714003	Self-Tapping Screw, #10 x 1/2" lg.
G	159019	Spindle Assembly, L.H.
H	159021	Spindle Assembly, R.H.
J	108181	Washer
K	722015	Cotter Pin, 5/32" x 1" lg.
L	722003	Cotter Pin, 3/16" x 1-1/4" lg.
M	159022	Steering Handle Assembly
N	705019	Hex Capscrew, 5/16"-18 x 1-1/4" lg.
P	717511	Hex Lock Nut, Full, 5/16"-18 Gripco
Q	156279	Plug Button
R	159024	Steering Bushing Retainer
S	157077	Steering Bushing
T	159025	Steering Shaft
U	159026	Bushing
V	158012	Steering Shaft Cup
W	722014	Cotter Pin, 5/32" x 1-1/4" lg.
X	159027	Steering Link, L.H.
Y	159028	Steering Link, R.H.
Z	159029	Spacer
AA	705006	Hex Capscrew, 3/8"-16 x 2" lg.

Ref. Let.	Part No.	Description
AB	719001	Plain Washer, 3/8"
AC	720002	Lock Washer, 3/8"
AD	717003	Hex Nut, Full, 3/8"-16
AE	154177	Spacer
AF	715055	Hex Screw, Whiz-Lock Flange 3/8"-16 x 1-1/4" lg.
AG	719001	Plain Washer, 3/8"
AH	720002	Lock Washer, 3/8"
AJ	717003	Hex Nut, Full, 3/8"-16
AK	154289	Bushing
AL	159146	Wheel & Tire Assembly, Front
AM	159151	Bearing
AN	727002	Grease Fitting
AP	8021010	Set Collar
AQ	713503	Set Screw, Cup Pt., 5/16"-18 x 5/16"
AR	159153	Hub Cap, Front Wheel
AS	159098	Foot Rest Pad, L.H.
AT	159099	Foot Rest Pad, R.H.
AU	159093	Wheel & Tire Assembly, Front
AV	159094	Set Collar
AW	159159	Spring
AX	108181	Washer
AY	159139	Bearing
AZ	157241	Snap Ring
BA	717510	Nut Lock, 3/8"-16NC

# SEAT & BRAKE GROUP



Ref. Let.	Part No.	Description
A	159059	Brake Rod
B	154117	Rod Guide Assembly
C	717511	Hex Lock Nut, Full, 5/16"-18
D	715031	Hex Capscrew, 1/4"-20 x 1/2" lg.
E	720003	Lock Washer, 1/4"
F	717005	Hex Nut, Full 1/4"-20
G	156134	Brake Band Assembly
H	705009	Hex Capscrew 3/8"-16 x 1-1/2" lg.
J	719002	Plain Washer, 5/16"
K	720002	Lock Washer, 3/8"
L	159060	Foot Pedal Rod
M	156302	Spring (Brake Arm)
N	159106	Spring (Rod)
P	158303	Rod Guide Assembly
Q	159168	Washer
R	717511	Hex Nut, Lock, Full, 5/16"-18
S	8191022	Set Collar
T	722016	Cotter Pin, 3/32" x 5/8" lg.
U	159061	Foot Pedal
V	705031	Hex Capscrew, 3/8"-16 x 7/8" lg.
W	717510	Hex Lock Nut, Full, 3/8"-16
X	159074	Hood
Y	159075	Hood Bracket
Z	718022	Speed Nut, Tinnerman
AA	121399	Felt Gasket
AB	715037	Thumb Screw
AC	159082	Fuel Tank
AD	159135	Fuel Tank Cap
AE	159083	Fuel Tank Support
AF	705017	Hex Capscrew, 5/16"-18 x 3/4" lg.
AG	720001	Lock Washer, 5/16"
AH	717001	Hex Nut, Full, 5/16"-18
AJ	157002	Tank Strap
AK	705053	Hex Capscrew, 1/4"-20 x 1-3/4" lg.

Ref. Let.	Part No.	Description
AL	717005	Hex Nut, Full, 1/4"-20
AM	156176	Shut-Off Valve
AN	156177	Fuel Hose
AP	154372	Hose Clamp
AQ	158153	Seat Panel
AR	159177	Seat Pan
AS	158207	Seat Pad
AT	159085	Connector-Cushion
AU	720001	Lock Washer, 5/16"
AV	717001	Hex Nut, Full, 5/16"-18
AW	159086	Pivot & Seat Support Assembly
AX	8021028	Set Collar
AY	713504	Set Screw, Cup Pt., 5/16"-18 x 3/8"
AZ	705042	Hex Capscrew, 7/16"-14 x 1-1/4" lg.
BA	720008	Lock Washer, 7/16"
BB	715015	Hex Capscrew, 3/8"-16 x 1-1/4"
BC	720002	Lock Washer, 3/8"
BD	717003	Hex Nut, Full, 3/8"-16
BE	705016	Hex Capscrew, 3/8"-18 x 1-1/4" lg.
BF	717524	Hex Lock Nut, Full, 3/8"-16
BG	159038	Hood Support Assembly
BH	705031	Hex Capscrew, 3/8"-16 x 7/8" lg.
BJ	720002	Lock Washer, 3/8"
BK	154416	Fuel Tank Cap
BL	713001	Set Screw, Cup Pt. 1/4"-20 x 3/8"
BM	159180	Brake Brace
BN	159181	Spring
BP	157277	Bracket Assembly
BQ	157287	Spacer
BR	167088	Park Brake Lock
BS	705041	Hex Capscrew, 7/16"-14 x 1"
BT	154119	Clip-Spring



# BELTS & PULLEYS

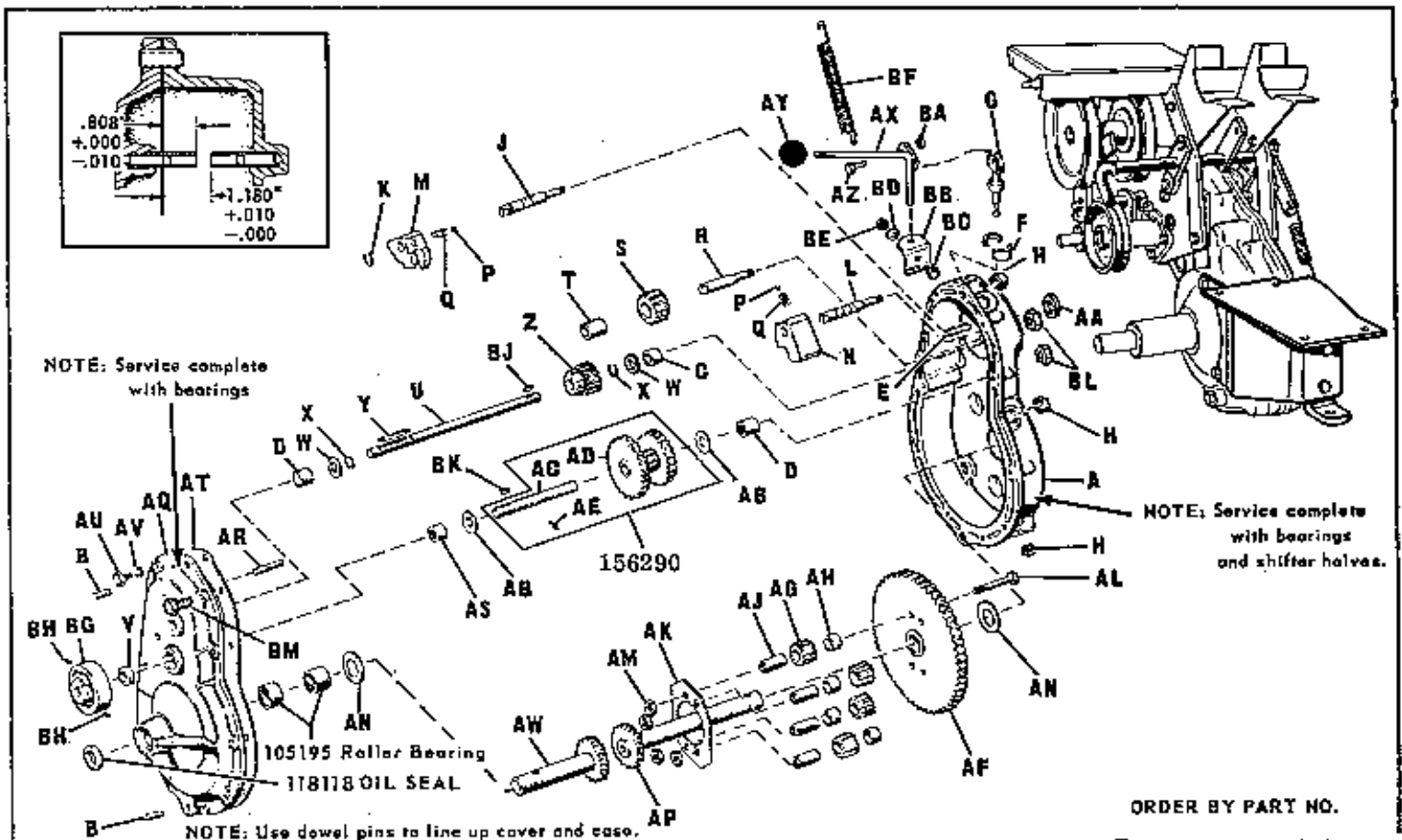
## PARTS LIST

Ref. Let.	Part No.	Description
A	705023	Hex Capscrew, 5/16"-18 x 1-3/4"
B	720001	Lock Washer, 5/16"
C	717001	Hex Nut, Full, 5/16"-18
D	159077	Draw Bar Hitch
E	705031	Hex Capscrew, 3/8"-16 x 7/8" lg.
F	720002	Lock Washer, 3/8"
G	717003	Hex Nut, Full, 3/8"-16
H	159078	Pulley Guard
J	705043	Hex Capscrew, 5/16"-18 x 3/8" lg.
K	720001	Lock Washer, 5/16"
L	159079	Belt Guard Assembly
M	706010	Hex Capscrew, 1/2"-20 x 3/4" lg.
N	721506	Lock Washer, 1/2" Int. Shakeproof
P	159118	Arm & Housing Assembly
Q	727002	Grease Fitting, #1641 Alemite
R	159122	Pulley Stop
S	702008	Carriage Bolt, 5/16"-18 x 1-1/4"
T	720001	Lock Washer, 5/16"
U	717001	Hex Nut, Full, 5/16"-18
V	159133	Spring
W	154258	Needle Bearing
X	8061012	Washer
Y	159115	Pulley & Shaft Assembly, P.T.O.
Z	158196	Special Washer
AA	158195	Pulley
AB	719001	Plain Washer, 3/8"
AC	720006	Lock Washer, 7/16"
AD	717022	Hex Nut, Full, 7/16"-14
AE	159117	Pivot Pin
AF	717018	Hex Jam Nut, 5/8"-11
AG	722010	Cotter Pin, 1/8" x 1-1/4" lg.
AH	159066	Idler Pulley
AJ	719001	Plain Washer, 3/8"
AK	720002	Lock Washer, 3/8"
AL	717003	Hex Nut, Full, 3/8"-16
AM	159067	Belt Tightener, R.H.
AN	702015	Carriage Bolt, 5/16"-18 x 3/4" lg.
AP	720001	Lock Washer, 5/16"
AQ	717001	Hex Nut, Full, 5/16"-18
AR	159068	Pivot Arm - Front Pulleys
AS	705061	Hex Capscrew, 3/8"-16 x 5" lg.
AT	717524	Lock Nut, Jam, 3/8"-16
AU	101096	Idler Pulley
AV	705009	Hex Capscrew, 3/8"-16 x 1-1/2" lg.
AW	105184	Spacer
AX	719001	Plain Washer, 3/8"
AY	719002	Plain Washer, 5/16"

Ref. Let.	Part No.	Description
AZ	717510	Hex Lock Nut, Full, 3/8"-16
BA	159069	Rod Assembly, Belt Tightener
BB	722016	Cotter Pin, 3/32" x 5/8" lg.
BC	8191045	Spring
BD	159072	Rod Socket Assembly
BE	722016	Cotter Pin, 3/32" x 5/8" lg.
BF	159073	Belt Tightener Lever
BG	158186	Clutch Control Handle
BH	159112	Knob
BJ	718035	Hex Nut, Whiz-Lock, Flange, 3/8-16
BK	159128	Engine Pulley
BL	713501	Set Screw, Cup Pt., 5/16"-18 x 1/2
BM	121224	Engine Pulley
BN	159129	Engine Pulley Key
BP	108248	"V" Belt
BQ	108099	Belt P.T.O.
BR	159120	Idler Shaft Assembly
BS	705007	Hex Capscrew, 5/16"-18 x 1" lg.
BT	720001	Lock Washer, 5/16"
BU	717001	Hex Nut, Full, 5/16"-18
BV	722006	Cotter Pin, 1/8" x 1" lg.
BW	705031	Hex Capscrew, 3/8"-16 x 7/8" lg.
BX	720002	Lock Washer, 3/8"
BY	717003	Hex Nut, Full, 3/8"-16
BZ	705007	Hex Capscrew, 5/16"-18 x 1" lg.
CA	720001	Lock Washer, 5/16"
CB	717001	Hex Nut, Full, 3/8"-16
CC	108386	Idler Pulley
CD	719001	Plain Washer, 3/8"
CE	720002	Lock Washer, 3/8"
CF	717003	Hex Nut, Full, 3/8"-16
CG	159100	Throttle Arm
CH	158186	Handle
CJ	159107	Washer
CK	717510	Hex Nut, 3/8"-16
CL	159112	Knob
CM	159179	Cable & Wire Assembly
CN	159102	Cable Clamp Assembly
CP	720003	Lock Washer, 1/4"
CQ	717513	Hex Nut, 1/4"-20
CR	159033	Engine Support Assembly
CS	705031	Hex Capscrew, 3/8"-16 x 7/8" lg.
CT	720002	Lock Washer, 3/8"
CU	705031	Hex Capscrew, 3/8"-16 x 7/8" lg.
CV	720002	Lock Washer, 3/8"
CW	159162	Bracket

A1	705018	Hex Capscrew 5/16"-18 x 1-1/2" lg.
A2	718033	Nut-Whiz Lock 5/16"-18

# TRANSMISSION

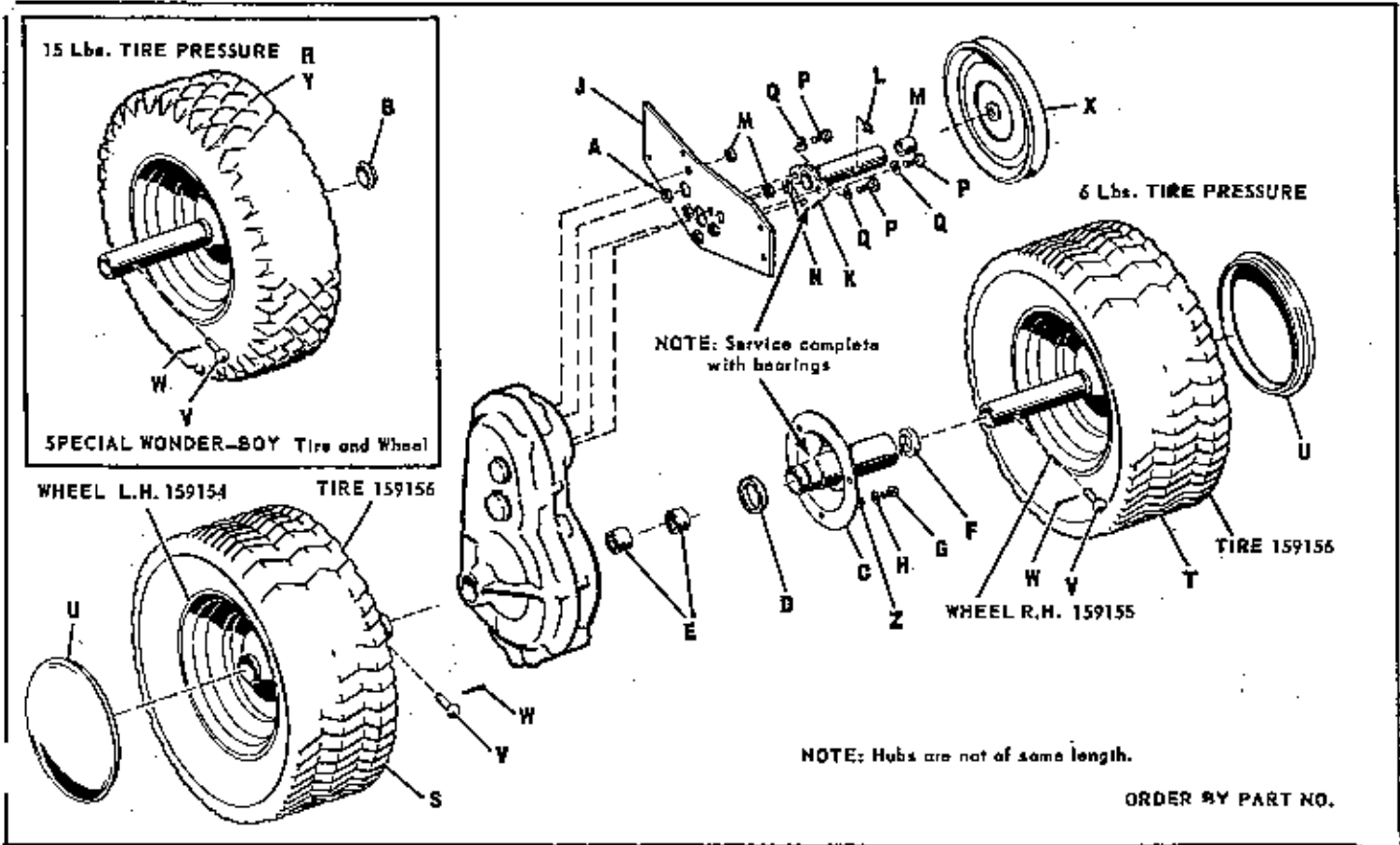


Ref. Let.	Part No.	Description
A	159030	Gear Case - Sub Assembly
B	723007	Roll Pin
C	156072	Roller Bearing
D	156073	Roller Bearing
E	156308	Roll Pin Sub Assembly
F	101042	Ball Bushing, Half
G	156031	Shift Rod Assembly
H	726252	Pipe Plug
J	156077	Reverse Shift Shaft
K	8061048	Retaining Ring
L	156078	Hi-Lo Shift Shaft
M	156079	Reverse Shift Fork
N	156080	I & II Shift Fork
P	154262	Shift Lock Ball
Q	154323	Spring
R	156081	Reverse Pinion Shaft
S	156020	Reverse Pinion
T	156082	Roller Bearing
U	159032	Pulley Shaft
V	156084	Oil Seal
W	156085	Washer
X	8061048	Retaining Ring
Y	156086	Key
Z	156087	Hi-Lo Pinion Assembly
AA	156084	Oil Seal
AB	156089	Washer
AC	156088	Brake Shaft
AD	156090	Gear Cluster Assembly
AE	156292	Dowel Pin
AF	156094	Drive Gear Assembly

Ref. Let.	Part No.	Description
AG	121311	Differential Pinion
AH	121084	Differential Spacer
AJ	121083	Differential Pinion Spindle
AK	156002	Differential Plate
AL	705003	Capscrew, 3/8"-16NC 2-1/4 lg.
AM	717510	Hex Lock Nut, Full, 3/8"-16 Gripco
AN	105083	Washer
AP	156100	Axle Shaft Assembly, R.H.
AQ	156016	Gear Case Cover
AR	156308	Roll Pin Sub Assembly
AS	156102	Roller Bearing
AT	156103	Gear Case Gasket
AU	705019	Hex Capscrew, 5/16"-18 x 1-1/4"
AV	720001	Lock Washer, 5/16"
AW	156104	Axle Shaft Assembly, L.H.
AX	159046	Shift Lever Assembly
AY	8021050	Knob, Ball
AZ	705030	Hex Capscrew, 1/4"-20 x 3/4" lg.
BA	717513	Hex Lock Nut, Full, 1/4"-20 Gripco
BB	159116	Shift Lever Pivot
BC	705001	Hex Capscrew, 5/16"-18 x 7/8" lg
BD	720001	Lock Washer, 5/16"
BE	717001	Hex Nut, Full, 5/16"-18
BF	159106	Spring (Shift Lever)
BG	156133	Brake Drum
BH	713503	Set Screw, Cup Pt., 5/16"-18x5/16"
BJ	725504	Key, Hi-Pro
BK	725505	Key
BL	717022	Nut, Full Hex, 7/16-14NC
BM	705018	Hex Capscrew, 5/16"-18 x 1-1/2"



# REAR WHEELS & SIDE PLATE



Ref. Let.	Part No.	Description
A	717022	Hex Nut, Full, 7/16"-14
B	121342	Plug Button
C	156096	Axle Housing Assembly
D	156099	Oil Seal
E	105195	Roller Bearing
F	118118	Oil Seal
G	705031	Hex-Capscrew, 3/8"-16 x 7/8" lg.
H	720002	Lock Washer, 3/8"
J	159036	Side Plate Assy. L.H.
K	159125	Tube Assy. Pulley Shaft Bearing
L	727002	Grease Fitting, #1641 Alemite
M	159123	Bearing

Ref. Let.	Part No.	Description
N	159124	Grease Seal
P	705001	Hex Capscrew, 5/16"-18 x 7/8" lg.
Q	720001	Lock Washer, 5/16"
R	159144	Wheel & Tire Assembly, R.H. (Special)
S	159095	Wheel & Tire Assembly, Rear, R.H.
T	159096	Wheel & Tire Assembly, Rear, L.H.
U	156211	Hub Cap
V	118053	Pin
W	722009	Cotter Pin
X	156119	Transmission Pulley
Y	159142	Wheel & Tire Assembly, L.H. (Special)
Z	719002	Plain Washer

## WARRANTY

The company warrants Simplicity Products to be free from defects in material and workmanship except the company makes no warranty express or implied with respect to tires, engines and engine accessories which generally are warranted by their respective manufacturers. Any part covered by this warranty which is proven defective within one year, under normal use, from date of purchase, will be replaced free of charge, f.o.b. Port Washington, Wisconsin, provided such part is returned to factory transportation charges prepaid and is found to be defective upon examination at the factory. The company is not obligated under this warranty to bear cost of labor or delivery charges in replacement of defective parts. This warranty does not apply to any Simplicity Products altered outside of Simplicity's factory. Such replacement of defective parts shall be the exclusive remedy and in no event shall Simplicity be liable for consequential damages. EXCEPT AS SPECIFICALLY PROVIDED HEREIN, THERE ARE NO WARRANTIES WHICH EXTEND BEYOND THE DESCRIPTION ON ANY SIMPLICITY PRODUCT.

# 32" ROTARY MOWER

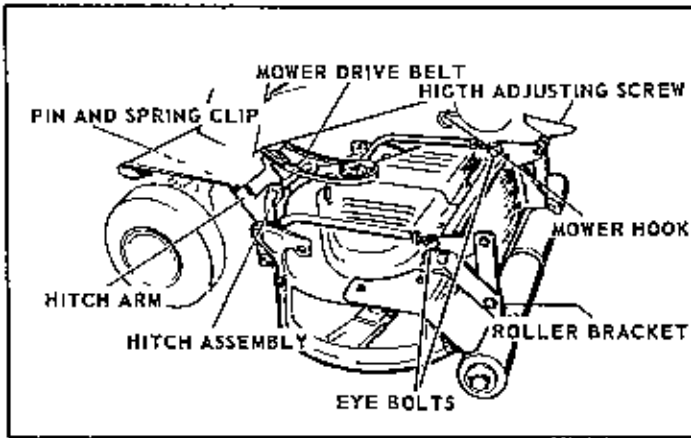


FIGURE 1

## ASSEMBLY

Attach the hitch assembly to the front of the mower housing by means of the carriage bolts and lock washers and hex nuts furnished, (Fig. 1). Note that the heads of the carriage bolts are on the inside of the mower housing.

Assemble the eye bolts to the roller brackets at the rear of the mower housing, using hex capscrews, lock washers, and hex nuts.

## ATTACHMENT

1. Position the mower underneath the tractor, and attach the mower hitch arms to the rear of the tractor front hitch, using pins and spring clips.

2. Loosen hex nut (fig. 3) of the right hand belt tightener. Disengage power take-off lever (fig. 3). Place transmission in gear. Block rear wheels in front and back to avoid movement. Raise front end and leave machine rest on rollers of 32" mower. The front of Wonder Boy will remain in a raised position. Take necessary precautions to avoid movement of unit.

Thread belt #108389 between weldment and housing located near power take-off lever. Place the belt around pulley #158195 on the power take-off pulley and shaft assembly. Place the back side of the belt on #159066 pulley beneath the seat assembly. The belt coming off the bottom of #158195 pulley is threaded down right side over right hand idler pulley. The belt coming off top of #158195 pulley on the left side over idler pulley. Place loop end of belt around #159162 bracket. Lower the machine and place the belt around the pulley on center spindle of mower.

Reposition the right hand belt tightener by moving it forward and placing tension on the belt. Secure the hex nut (fig. 3).

NOTE: After initial running period, belt stretch may require repositioning of the right hand idler pulley to remove the excess slack in belt.

Check to see that belt has enough slack for proper declutching, but do not allow too much slack or it may jump the pulley when declutched rapidly.

3. Attach the transport hook to the stud on the tractor frame as shown, (Fig. 3). This should be rotated up out of the way when not in use.

4. Check the mower for proper tilt by placing it on a smooth flat surface. Measure the height of the front tip of the center blade and the rear tips of the side blades, (Fig. 4). The front tip should be about 1/4" to 3/8" higher than the rear tips. To obtain this relationship, move each eye bolt on the adjusting arms as necessary.

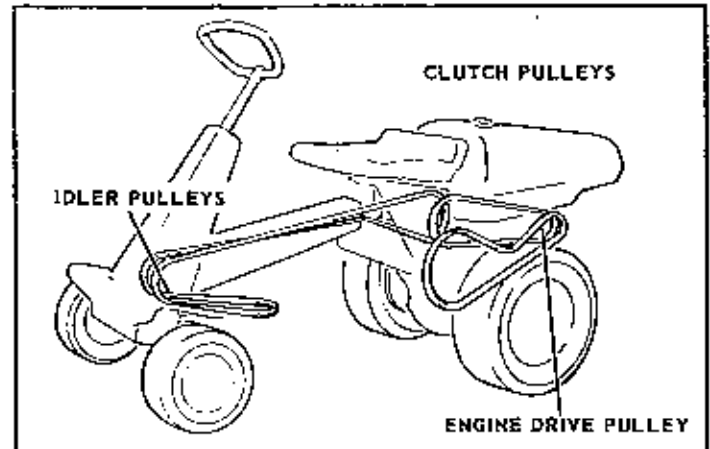


FIGURE 2

## OPERATION

To operate the mower, move the power take-off lever to the "on" position, making sure that tractor engine is operating at sufficient speed to take care of the additional load. Then as the mowing operation is started, regulate the mower speed as needed by means of the tractor throttle control lever.

To transport the mower over gravel drives, etc., disengage the power take-off, then grasp the height adjusting handle, raise, and support by means of the transport hook.

NOTE: After the first 5 to 10 hours of operation, the cross drive belt and the blade drive belt #31, Fig. 5, may stretch slightly. The tension on the blade drive belt may be increased as illustrated in Fig. 5. Remove the fasteners holding the housing covers in place and then remove the covers from the housing. Loosen the nut #32, then apply pressure to move the idler pulley #33, in the direction indicated, until enough belt tension is obtained. Then hold the pulley in desired position and retighten the nut #32. Replace the housing and tighten securely in position.

## BELTS

The drive belt and the spindle drive belt are a super combine type constructed to our own specifications to insure proper mower operation and long life. When replacements are needed, do not substitute standard fractional horsepower belts. Use only the Simplicity #108389 mower drive belt, and the #108151 spindle drive belt.

## LUBRICATION

The ball bearings used in the blade spindle housings and in the idler pulley are all lifetime pre-lubricated and sealed, therefore they do not require additional service during normal mower usage. If the rollers should become noisy from lack of lubrication, apply a few drops of oil to the roller shaft.

# ARBOR & HOUSING

Ref. Let	Part No.	Description
A	108203	Arbor Tube Assembly
B	108134	Backing Ring
C	108250	Arbor Assembly
D	108181	Washer
E	108202	Bearing, Single Row Radial
F	108201	Spacer
G	108139	Flinger
H	108142	Pulley
J	725006	Woodruff Key, 3/16" x 5/8" Dia.
K	713504	Set Screw, Cup Pt. Socket Head, 5/16"-18 x 3/8" lg.
L	717517	Hex Jam Nut, 3/4"-16
M	108369	Arbor Drive Assembly
N	108371	Spacer
P	108246	Cross Drive Pulley
Q	108257	Washer
R	108147	Housing
S	703004	Carriage Bolt, 3/8"-16 x 3/4" lg.
T	720002	Lock Washer, 3/8"
U	717003	Hex Nut, Full, 3/8"-16
V	108386	Idler Pulley
W	719004	Washer
X	719002	Plain Washer, 5/16"
Y	713009	Carriage Bolt, 3/8"-16 x 1-3/4" lg.
Z	108151	V-Belt
AA	717510	Hex Lock Nut, Full, 3/8"-16
AB	714007	Self Tap. Screw, Recessed Hex Head, 1/4"-20 x 7/8" lg.
AC	108187	Mower Baffle
AD	714012	Self Tap. Screw, Recessed Hex Head, 1/4"-20 x 7/8" lg.
AE	720003	Lock Washer, 1/4"
AF	717005	Hex Nut, Full, 1/4"-20
AG	108186	Baffle Clip
AH	715018	Hex Capscrew, 1/4"-20 x 5/8" lg.
AJ	719006	Plain Washer, 1/4"
AK	108301	Cover, R.H.
AL	108302	Cover, L.H.
AM	108297	Blade
AN	715024	Capscrew, Hex Hd., 3/8"-16 x 5/8"
AP	720001	Lock Washer, 5/16"
AQ	108389	V-Belt, Cross Drive
AR	108390	Deflector
AS	703005	Carriage Bolt, 5/16"-18 x 3/4" lg.
AT	717001	Hex Nut, Full, 5/16"-18
AV	157081	Spacer
AU	108472	Washer

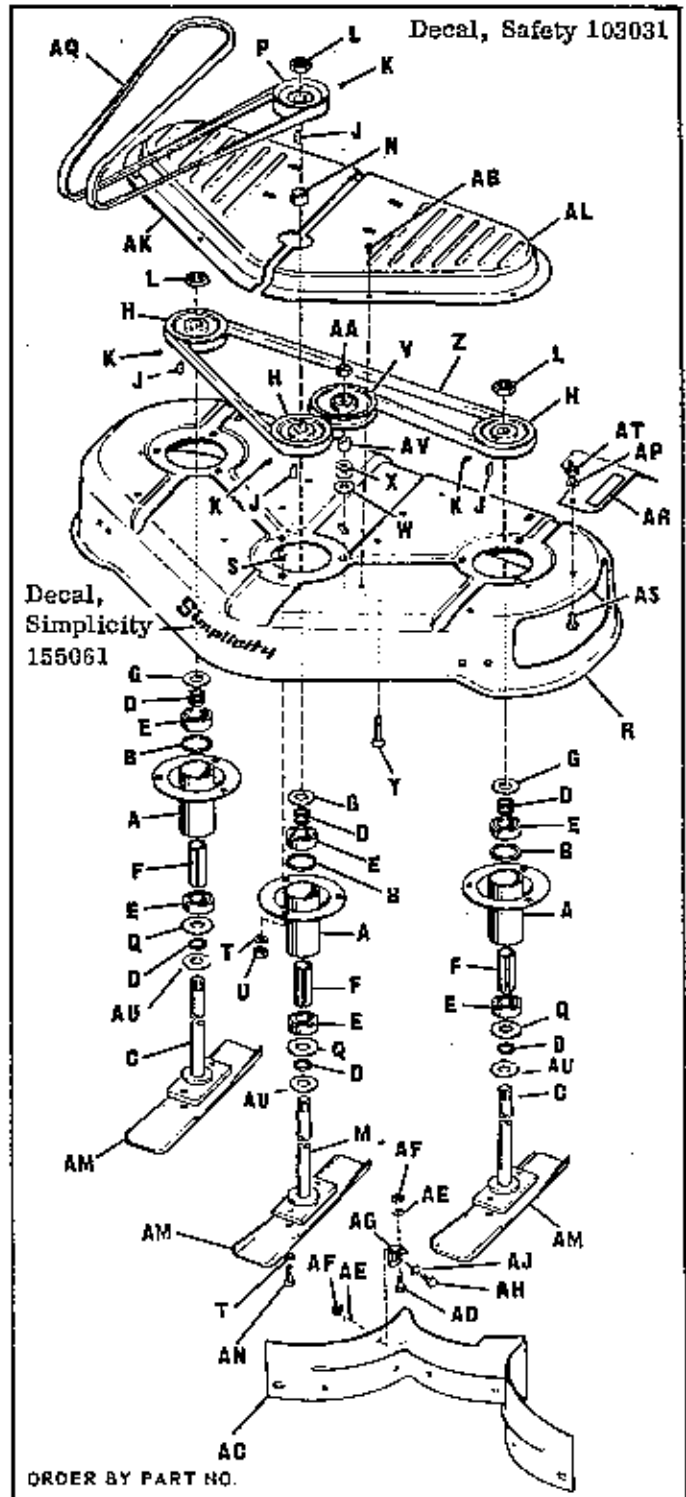


FIGURE 3

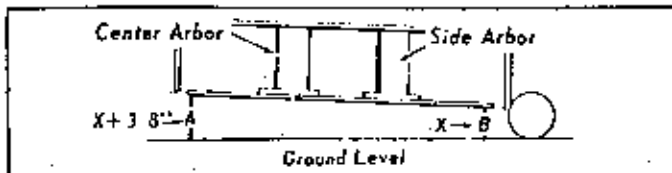


FIGURE 4

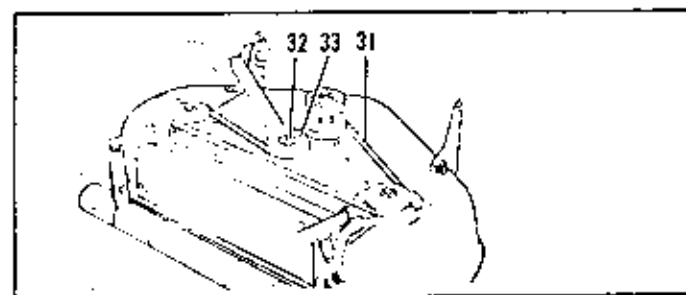
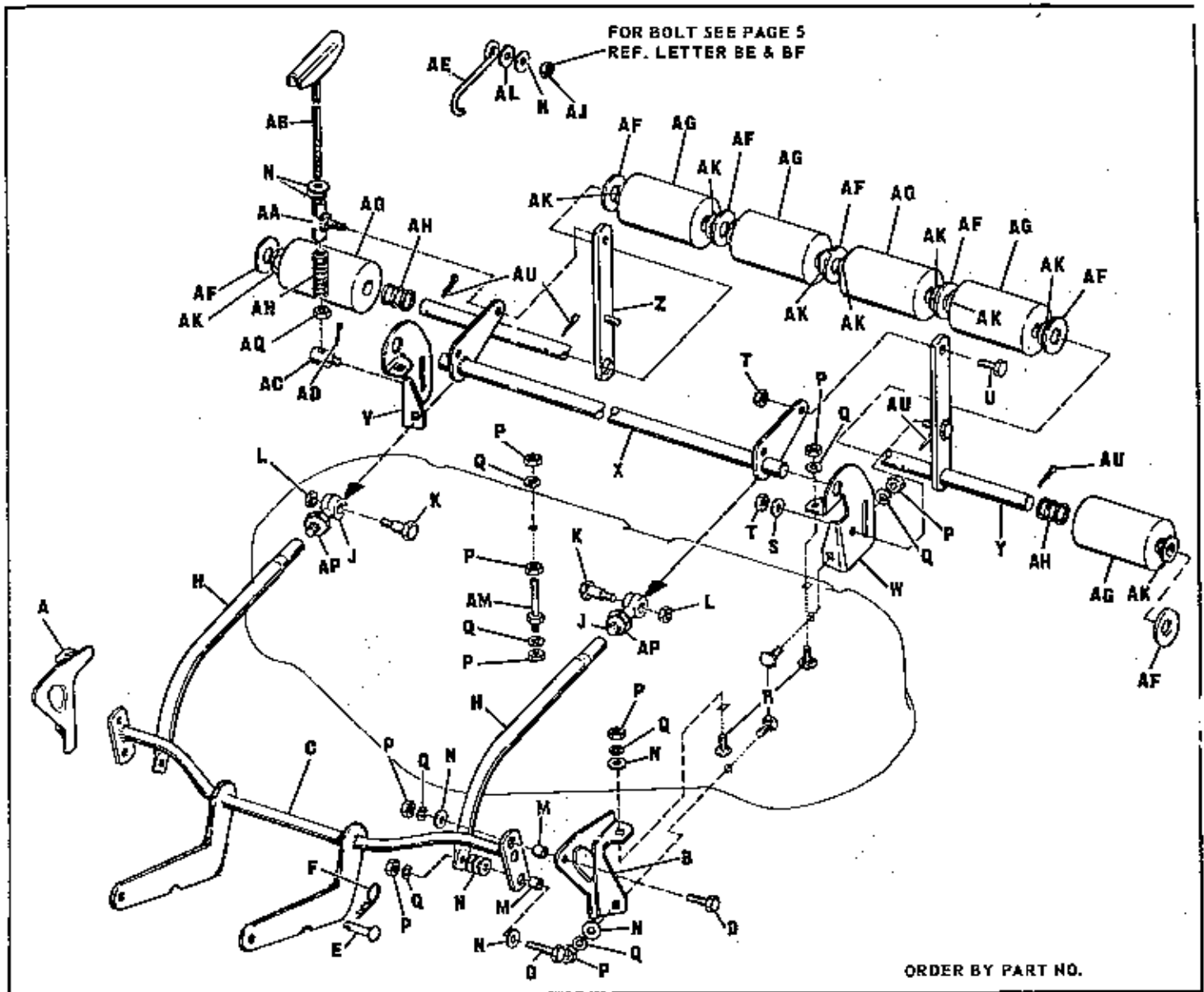


FIGURE 5

# HITCH & ROLLERS



ORDER BY PART NO.

Ref. Let.	Part No.	Description
A	108376	Front Bracket, R.H.
B	108377	Front Bracket, L.H.
C	108387	Mower Hitch Assembly
D	705005	Hex Capscrew, 3/8"-16 x 1" lg.
E	156306	Pin
F	8161045	Spring Clip
G	705016	Hex Capscrew, 3/8"-16 x 1-1/4" lg.
H	108411	Adjusting Arm
J	157215	Eye Bolt
K	108412	Bolt Shoulder
L	717510	Hex Lock Nut, Full, 3/8"-16
M	154177	Spacer
N	719001	Plain Washer, 3/8"
P	717003	Hex Nut, Full, 3/8"-16
Q	720002	Lock Washer, 3/8"
R	703004	Carriage Bolt, 3/8"-16 x 3/4" lg.
S	719002	Plain Washer, 5/16"
T	717510	Hex Lock Nut, Full, 3/8"-16
U	705031	Hex Capscrew, 3/8"-16 x 7/8" lg.
V	108159	Roller Bracket R.H.

Ref. Let.	Part No.	Description
W	108163	Roller Bracket L.H.
X	108160	Rear Lever Assembly
Y	108254	Bar & Shaft Assembly
Z	108256	Roller Bar Assembly
AA	108166	Socket Assembly, Crank
AB	108415	Adjustment Screw Assembly
AC	108172	Pivot
AD	722001	Cotter Pin, 3/32" x 3/4"
AE	159111	Mower Lift Hook
AF	116001	Washer
AG	108431	Roller w/Bushing
AH	8261055	Washer (as required)
AJ	717510	Nut, Hex, Full 3/8"
AK	108419	Bushing
AL	159134	Washer, Special
AM	108372	Stud
AN	108360	Spring
AP	717016	Hex. Nut Jam, 1/2"-20
AQ	717013	Hex Jam Nut, 3/8"-16
AU	722011	Cotter Pin, 3/16" x 1"