



SINGER®

Heavy Duty

With the SINGER 4443 Heavy Duty sewing machine you can get professional results in no time! The extra-high sewing speed of 1,100 stitches per minute means you can plow through projects 30% faster than a standard sewing machine. The stainless steel bed plate enables smooth fabric flow and the heavy-duty interior metal frame ensures skip-free sewing. With an easy threading system with instructions printed right on the machine and an automatic needle threader, set-up is simple. The top-drop in bobbin with clear view cover allows for easy bobbin access and monitoring of bobbin thread supply. Creative features like 23-built-in stitches including a fully automatic 1-step buttonhole and the drop feed function for free-motion stitching empower you to add a unique finish to your projects.



Heavy Duty Features Power Through Projects

Heavy Duty Metal Frame

The internal skeleton of the sewing machine consists of a Heavy Duty Metal Frame that holds all the mechanisms in perfect alignment for skip-free sewing and overall durability. You can be sure that your sewing machine will last for years of extended use.

Extra-High Sewing Speed

Sewing up to 1,100 stitches per minute allows you to finish projects in less time than a conventional sewing machine.

Stronger Motor

Boasting a stronger motor than conventional sewing machines, the SINGER Heavy Duty sewing machine sews through heavy duty fabric without a hitch!

Extra-High Presser Foot Lifter

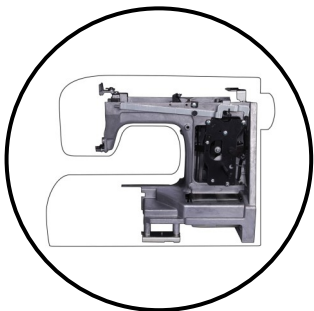
Offers more clearance when sewing multiple layers of bulky fabric.

Adjustable Presser Foot Pressure

Adjustable presser foot pressure allows you to adjust the amount of pressure exerted on your fabric while sewing. The pressure is optimally pre-set, but feel free to override those settings for high pile fabrics or delicate fabrics like chiffon.

Free Arm Convertible

The removable free arm provides easy access to cuffs, collars, pant hems and other difficult-to-reach areas.



Stainless Steel Bed Plate

The unique bed plate ensures smooth fabric feeding for even sewing.





SINGER®

Heavy Duty

Automatic Settings Eliminate Guesswork

Automatic Tension

Ensures stable straight stitch quality regardless of the type of fabric.

Easy Stitch Selection

With the easily accessible stitch dial you can change stitches in one easy step!

Automatic Bobbin Winding System

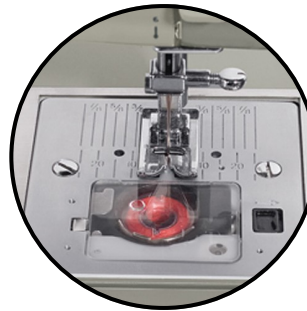
Simply follow the numbered diagram printed on the sewing machine and your bobbin is full in no time! The needle bar automatically disengages when winding the bobbin, making bobbin winding safe. The bobbin will automatically stop turning when the bobbin is completely filled. Never worry about overfilling a bobbin!

LED Sewing Space Light

The LED Sewing Space Light keeps your workspace illuminated.



Easy Threading with Automatic Needle Threader
Sewing's biggest timesaver easily threads the needle without eye strain.



Top Drop-In Bobbin System with Clear View Cover
The bobbin is easily loaded from the top. The clear cover makes it easy to monitor bobbin thread supply.



Drop Feed with Box Feed Motion

Lower the feed dogs for free-motion embroidery, monograms and for sewing buttons. The seven-segment feed dogs move in a box motion ensuring perfect feeding throughout the entire feed process.

Unleash Your Creativity

Adjustable Stitch Length and Width

With just the simple turn of a dial the length and width are customized. Select the right size satin stitch for your appliqué in no time! When using the zigzag stitch to appliqué, the Center ZigZag taper tapers to the center, not the left or right, leaving you with attractive appliqués. Stitches can be set for a maximum of 6mm, perfect when using those satin stitches for appliquéing.



Three Needle Positions

Provides more control of stitch placement. You can set the needle to one of three positions, which is great when inserting zippers or cording and topstitching.

6mm Stitch Width

Most stitches can be set for a maximum width of 6mm creating attractive satin and decorative stitches.

Twin Needle Capable

When sewing with a twin needle (optional purchase), parallel rows of stitching are perfect for hemming or adding a decorative touch. Just reduce the stitch width on selected stitches and twin needle sewing expands your creative possibilities.



SINGER®

Heavy Duty



Women's Choice
SINGER has won the 2013 Women's Choice Award for America's Best Home Sewing Machine!



Fully Automatic 1-Step Buttonhole
Create perfectly sized buttonholes in one easy step!



What's In The Box

Included Accessories (located in the Free Arm)

All Purpose Foot (on machine), Zipper Foot, Buttonhole Foot, Button Sewing Foot, Seam Ripper / Lint Brush, Edge / Quilting Guide, Pack of Needles, Spool Holders, Bobbins (3+1 in machine, Class 15 plastic), L-Screwdriver, Auxiliary Spool Pin, Spool Pin Felt, Power Line Cord, Foot Control, Instruction Manual, Soft-Sided Dust Cover

BONUS Heavy Duty Accessories are specially designed for your toughest projects.

Use the Even Feed/Walking Foot when sewing layers of bulky fabric for consistent fabric feeding from the top and bottom of the fabric.

The Non-Stick Foot is perfect when sewing vinyl, leather and vegan leather.

The Clearance Plate is a must-have when sewing over denim seams or when replacing needles.

Put Your Mind at Ease

The SINGER 4443 Scholastic sewing machine comes with a limited 25-Year Warranty including 2 years on electronic components and 90 days on adjustments.

This sewing machine is warranted for commercial and household use.

Answers At Your Fingertips

Toll-Free Helpline 1-800-4-SINGER (1-800-474-6437)
Monday through Friday, 8:00 a.m. to 4:00 p.m. C.T.

Online Support available any time at singerco.com
Social Media Support allows you to connect with other sewers for tips and tricks!

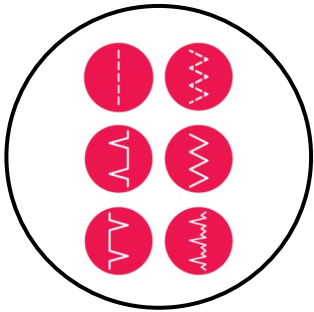
YouTube.com/SingerSewingCompany offers a variety of helpful videos tutorials including the following topics: Threading, Presser Feet Training, Maintenance and Troubleshooting.

Consumer's Choice - More people own SINGER machines than all other brands combined!

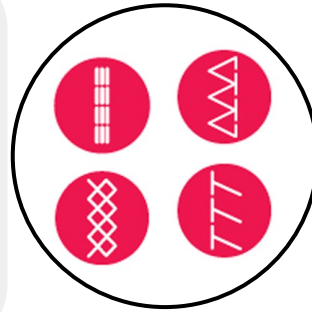


SINGER®

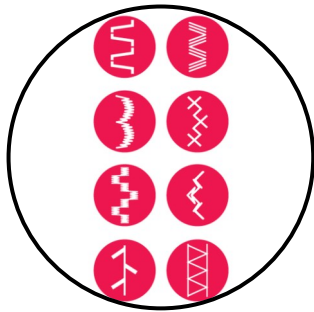
Heavy Duty



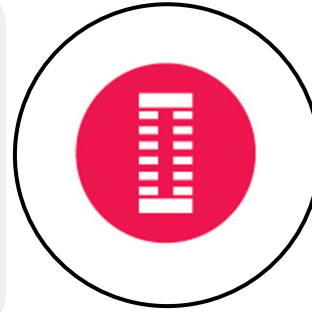
6 Essential Stitches
The core stitches of construction and mending.



4 Stretch Stitches
Specially designed to move with your fabric.



12 Decorative Stitches
Create special details on any project.



1 Fully Automatic Buttonhole
Buttonhole sewing is a fully automatic one-step simple process providing reliable results every time.



23 Built-In Stitches
provide Hundreds of
Stitch Functions!