



## Installation and User Guide

**SIRIUS Speaker Dock**  
**Portable Audio System for SIRIUS Dock and Play Radios**  
For use with most newer SIRIUS Dock and Play Radios

## **Congratulations on the purchase of your new SIRIUS Speaker Dock, Portable Audio System for SIRIUS Dock and Play Radios!**

Your new SIRIUS Speaker Dock lets you enjoy SIRIUS® Satellite Radio's digital entertainment in your home, office, or other location. Use this manual as a guide for installation.

The Speaker Dock will work with most SIRIUS dock and play radios that have the new Universal Connector. It is compatible with the dock and play radios listed below as well as with any newer models sold subsequently:

- Sportster 5™
- Starmate 5™
- Starmate 4
- Starmate 3
- Stratus 5™
- Stratus 4
- Stratus

For the latest information about this and other SIRIUS product and accessories, visit <http://www.sirius.com>.



# Table of Contents

<b>TABLE OF CONTENTS.</b>	<b>3</b>
<b>COPYRIGHTS &amp; TRADEMARKS</b>	<b>4</b>
<b>WARNING AND SAFETY INFORMATION.</b>	<b>5</b>
Safety Precautions.	5
Warnings	5
<b>PACKAGE CONTENTS.</b>	<b>6</b>
<b>CONTROLS AND CONNECTORS</b>	<b>7</b>
<b>INSTALLATION</b>	<b>9</b>
Docking the SIRIUS Radio	9
Installing the Indoor/Outdoor Antenna for Indoor Use	10
Installing the Indoor/Outdoor Antenna for Outdoor Use	17
Connecting the AC Power Adapter	18
Subscribing to SIRIUS Service.	18
<b>OPERATION</b>	<b>20</b>
<b>TROUBLESHOOTING</b>	<b>21</b>
<b>OPTIONAL ACCESSORIES.</b>	<b>23</b>
<b>SPECIFICATIONS.</b>	<b>24</b>
<b>SIRIUS ID</b>	<b>25</b>

# Copyrights & Trademarks

© 2008 SIRIUS XM Radio Inc. All Rights Reserved.

® “SIRIUS”, the SIRIUS dog logo, channel names and logos are trademarks of SIRIUS XM Radio Inc. All Rights Reserved.

™ “Sportster”, “Starmate”, and “Stratus” are trademarks of SIRIUS XM Radio Inc.

Hardware, subscription, and activation fee required. For full Terms & Conditions, visit <http://sirius.com>. Prices and programming are subject to change. Not available in HI and AK. Equipment and subscription sold separately. Installation required with some equipment.

# Warning and Safety Information

## Safety Precautions

Be sure to observe the following warnings. Failure to follow these safety instructions and warnings may result in a serious accident and/or personal injury.

- Installation must be performed according to this installation guide. SIRIUS is not responsible for issues arising from installations not performed according to the procedures in this guide.
- Use only the provided AC Power Adapter
- Do not install the unit where it will be exposed to high levels of humidity, moisture, or dust.
- To avoid short circuits, do not open the unit, and never put or leave any metallic objects (coins, tools, etc.) inside the unit.
- If the unit emits smoke or unusual odors, turn the power off immediately, and disconnect the unit from any power source.
- Do not drop the unit or subject it to strong shocks.
- The installation and use suggestions contained in this manual are subject to any restrictions or limitations that may be imposed by applicable law. The purchaser/ user should check applicable law for any restrictions or limitations before installing and/or operating this unit.

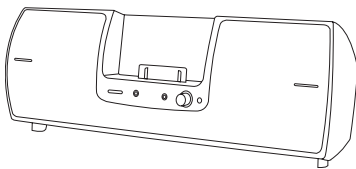
## Warnings

### **Cleaning and Maintenance**

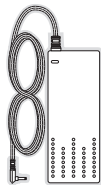
If the Speaker Dock becomes dirty, turn the power off and wipe it clean with a soft cloth. Do not use hard cloths, strong cleaning fluids, paint thinner, alcohol, or other volatile solvents to clean. These may cause damage to the unit.

# Package Contents

The following items are included with your purchase of the SIRIUS Speaker Dock. Unpack the kit carefully and make sure that everything shown is present. If anything is missing or damaged, or if the Speaker Dock fails to operate properly, notify your dealer immediately. It is recommended that you retain the original carton and packing materials in case you need to ship your Speaker Dock in the future.



**Speaker Dock**



**AC Adapter**



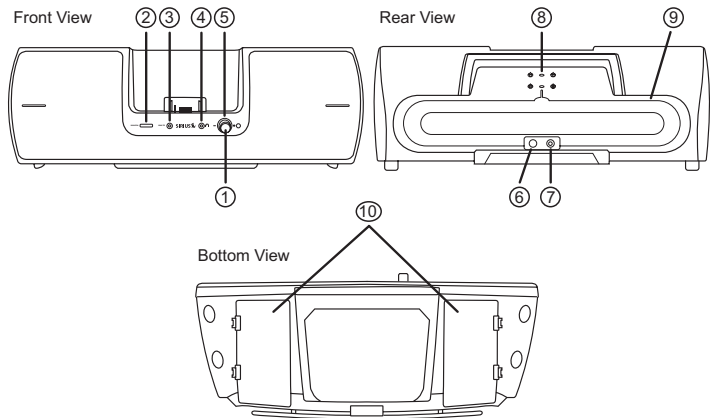
**Power Cord**



**Indoor/Outdoor Antenna**

# Controls and Connectors

Figure 1 and the section following identify and describe the controls and connectors of the Speaker Dock.



**Figure 1**

1. **Power and Volume Knob:** Pressing the knob turns the Speaker Dock's power On or Off. Turning the knob increases or decreases the volume level (+/-).
2. **Source Button:** Switches audio output between SIRIUS radio and the AUX input.
3. **AUX IN Connector:** Input connection for audio from an external device, such as

an MP3 player, CD player etc.

4. **Headphone Connector:** Stereo headphone jack to privately listen to the Speaker Dock.
5. **Power On/Low Battery Light:** The light is a constant blue when the Speaker Dock is powered on. The light will turn red when the batteries in the Speaker Dock are nearly discharged and need replacement.
6. **DC POWER Connector:** Connection for the AC Power Adapter. (DC Power)
7. **ANTENNA Connector:** Connection for the Indoor/Outdoor Antenna (Antenna).
8. **Antenna Storage:** Storage area for the Indoor/Outdoor Antenna.
9. **Cable Storage:** Storage area for the antenna cable.
10. **Battery Compartments:** Two battery compartments for a total of eight "D" size cells.

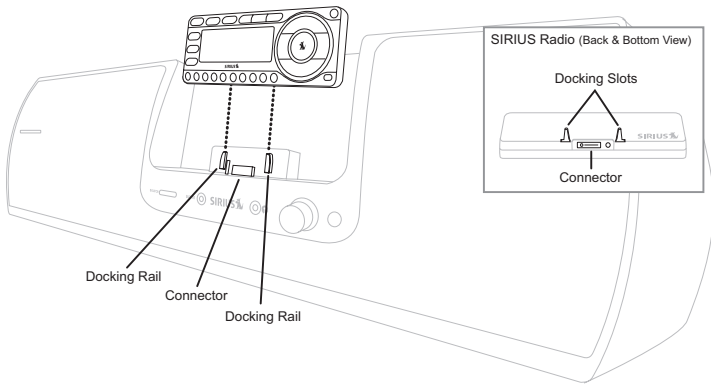


# Installation

## Docking the SIRIUS Radio

Place your SIRIUS Dock and Play radio into the Speaker Dock as follows:

1. Locate the docking slots on the back of your SIRIUS radio, and the connector on the bottom of your radio. (Refer to Figure 2.)
2. Align the radio with the docking rails and connector on the front of the Speaker Dock so that the docking rails can slide into the docking slots. (Figure 2)
3. Once aligned, gently press the radio down so that it slides down the docking rails until it is fully seated in the Speaker Dock.



**Figure 2**

## Installing the Indoor/Outdoor Antenna for Indoor Use

Before installing the indoor/outdoor antenna, please read this entire section.

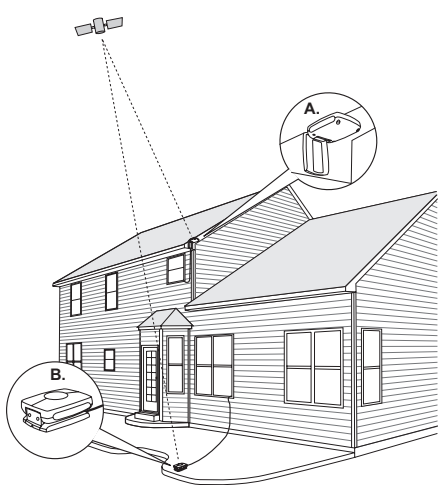
Please visit <http://www.sirius.com/install> and click on **Home Installation** for more information on home antenna installation. You can also find out information about various signal distribution accessories for the home, such as the Echo Home Wireless Signal Repeater System or the 50' Antenna Extension Cable, both available for purchase at <http://www.sirius.com>. These accessories can aid you in receiving the SIRIUS signal at home. (See page 23.)

To ensure consistent reception of the SIRIUS signal in your home, it is important that the antenna be oriented correctly. Note the following Best, Better, and Good considerations for antenna placement.

**BEST** reception can be achieved by mounting the antenna on the outside of the building on a soffit at the roof, with a clear 360 degree view of the sky. (Figure 3, **A**) This position will afford the best view of the sky for best reception. When placed in this location, an antenna extension cable may be required. Next best, it can be placed outside on a flat surface (Figure 3, **B**) with nothing blocking its view of the sky. Be sure that the home itself is not blocking the view of the sky.

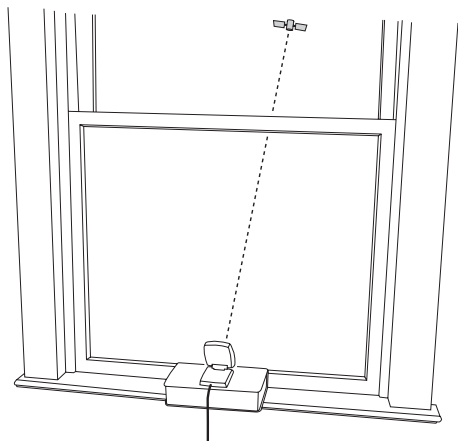
**BETTER** reception can be achieved by placing the antenna outside on a window, on a porch, or on a patio, or by mounting it to the side of the building. The antenna will have to be facing in the direction of the SIRIUS satellites as explained later, with the largest possible clear view of the sky in the direction of the satellites.

**GOOD** reception can be achieved by placing the antenna indoors on a windowsill. The window will need to be facing in the direction of the SIRIUS satellites, as explained later, and have a clear view of the sky. The antenna may need to be placed on a raised flat surface, such as a book, to raise it above the level of the window frame. (Figure 4)



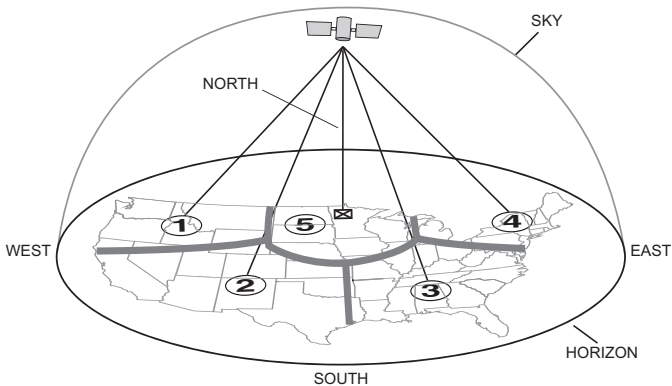
**Figure 3**

**Note:** If your location is in major metropolitan area, the antenna can possibly be located inside the home because terrestrial (or ground) repeaters are used to boost signal strength. If you are able to achieve a good terrestrial signal with the antenna indoors, you can disregard the remainder of these antenna installation instructions. Refer to the section, ***Testing and Optimizing the Antenna Signal Strength*** on page 15 for details about displaying the terrestrial signal strength.



**Figure 4**

If you cannot obtain a clear 360 degree clear view of the sky (Best), then for the Better and Good installations you must at least have a clear view of the sky in the direction of the SIRIUS satellites, as shown in the following map diagram. (Figure 5)



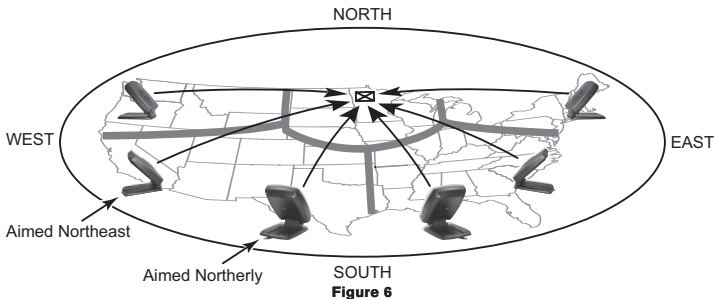
**Figure 5**

Use the map to find the area you are located in (1 to 5). Then find the direction in which you need to have a clear view of the sky:

- Area 1: You will need a location with a clear view of the sky facing EAST or NORTHEAST
- Area 2: You will need a location with a clear view of the sky facing NORTH or NORTHEAST
- Area 3: You will need a location with a clear view of the sky facing NORTH or NORTHWEST
- Area 4: You will need a location with a clear view of the sky facing WEST or NORTHWEST
- Area 5: You will need a clear view of the sky facing STRAIGHT UP (Outdoors only, refer to Figure 3)

The location for the antenna must have an unobstructed view of the sky in the direction indicated for your area. (Figure 6)

For example, suppose you live in **Area 2**. You determined that your antenna will need to have a clear view of the sky facing **North** or **Northeast**. The exact direction is determined by your specific location in **Area 2** relative to the **X** on the map: If you live in **Texas**, you will need a more **Northerly** facing clear view of the sky whereas if you live in **southern California**, you will need a more **Northeast** facing clear view of the sky.

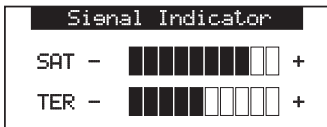


Once you have found a suitable location for the antenna, route the antenna cable to the Speaker Dock. Be sure you avoid any obstructions that could crimp, kink, or twist the cable. Use protective grommets wherever rough openings are encountered. If the antenna is installed outdoors, route the cable from the antenna location to the interior of the home, working the cable through the basement, under a window sill, etc., and make adjustments to take up cable slack as necessary. Connect the antenna cable to the antenna connector of the Speaker Dock. (Refer to Figure 1 on page 7.) Optional antenna extension cables are available if needed. (Refer to Optional Accessories on page 23.)

### Testing and Optimizing the Antenna Signal Strength

The stronger the SIRIUS signal strength, the less likely it is that you will experience an interruption of the audio when listening to a broadcast. To assist you in adjusting the antenna aiming for optimal reception, your SIRIUS radio can display a screen showing the strength of the SIRIUS signal being received, similar to Figure 7.

Turn your Speaker Dock and SIRIUS radio ON. Access the signal indicator (or antenna aiming) screen of your SIRIUS radio. Consult your radio's manual for instructions on accessing the screen. The SATELLITE (or SAT) portion of the display screen (Figure 7) shows the strength of the signal being received from the satellite, while the TERRESTRIAL (or TER) portion of the display screen shows the strength of the signal being received from terrestrial (ground) repeaters, if available.



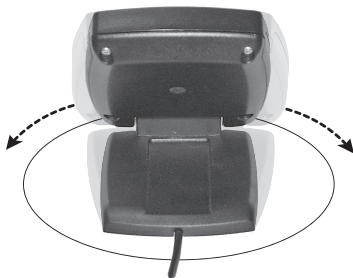
**Figure 7**

Aiming the antenna consists of two adjustments. The first adjustment is to tilt the clamshell at an angle. (Figure 8) While observing the signal strength, make small adjustments to the angle of tilt of the clamshell until the highest possible signal strength is achieved.



**Figure 8**

The second adjustment is to turn the antenna slightly to the left or right until the highest possible signal strength is achieved. (Figure 9)



**Figure 9**

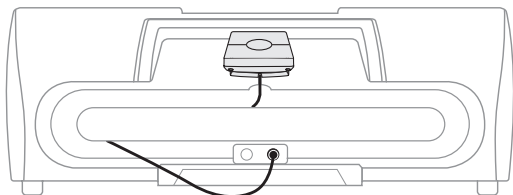


The SIRIUS satellites are not in a fixed place in space and move relative to the earth. As a result, the signal level at the antenna will vary throughout the day. Once you think you have aimed and pointed your antenna at the optimal direction, it is important to check that you are receiving an uninterrupted signal all the time. To ensure that you continuously receive the SIRIUS signal, we recommend that you observe your antenna set-up occasionally over the period of few hours and adjust the aim and tilt of the antenna as necessary.

For more tips on installing the antenna, please visit the SIRIUS website at <http://www.sirius.com> and click on the [Install/Activate](#) link.

## Installing the Indoor/Outdoor Antenna for Outdoor Use

The indoor/outdoor antenna should be placed into the storage area on the top of the Speaker Dock as shown in Figure 10. The antenna clamshell should face the sky. Wrap the excess antenna cable around the storage area at the rear, and plug the antenna cable into the **Antenna** connector. If you have reception problems, turn the Speaker dock in the direction of the satellites and try tilting the antenna in the direction of the satellites.



**Figure 10**

Alternately, if there is no clear view of the sky where the Speaker Dock is located outdoors, the antenna can be removed from the Speaker Dock placed where there is a clear view of the sky, and aimed in the direction of the satellites.

## Connecting the AC Power Adapter

The Speaker Dock can operate on either batteries (8 “D” cells) or by using the AC Power Adapter. Connect the AC Power Adapter to the **DC Power** connector at the rear of the Speaker Dock. (Refer to Figure 1 on page 7.) Connect the Power Cord to the AC Power Adapter and plug it into an AC outlet.

## Subscribing to SIRIUS Service

If you have not yet subscribed your radio to the SIRIUS Satellite Radio service, you'll need to subscribe before you can listen to SIRIUS programming on your radio. To subscribe, do the following:

1. Be sure that the SIRIUS radio is correctly installed as described in this manual, in the Speaker Dock, and that the antenna is oriented to receive the SIRIUS signal.
2. Press the Power/Volume knob to turn on the Speaker Dock.
3. Turn the radio on. After the start up sequence, the radio will update the SIRIUS channel line-up. Wait until the channel updates have completed before pressing any buttons.
4. Once the channels have been updated, the display will change to *Call 1-888-539-SIRIUS* to Subscribe and will tune to channel 184. You will not be able to listen to other channels until you activate your SIRIUS subscription.
5. Use the radio's channel up/down buttons to tune to channel 0 to display the radio's unique 12-digit SIRIUS ID Number (SID). You can also tune to channel 0 by using the remote control: Press the **Select** button, then the 0 (zero) button, and then press the **Select** button again. The SID is also available on the radio's packaging, and may also be accessed by pressing the **MENU** button and selecting SIRIUS ID. Write the SID down in the space provided near the end of this guide.
6. Have your credit card handy and contact SIRIUS on the Internet at: <https://acti->

***vate.siriusradio.com/*** and follow the prompts to activate your subscription. You can also call SIRIUS toll-free at: 1-888-539-SIRIUS (1-888-539-7474).

7. When you have successfully subscribed to the SIRIUS service, and the radio has been updated with your subscription information, an alert will be displayed. To continue, press any button.

You are now ready to begin enjoying SIRIUS Satellite Radio's digital entertainment, and can tune to other channels.

# Operation

Before you can listen to the SIRIUS programming, you need to subscribe to the SIRIUS Satellite Radio service if you have not done so already. Please be sure to follow the activation instructions for your specific SIRIUS radio instructions.

Once the Speaker Dock has been installed according to the installation directions, power on the Speaker Dock by pressing the **Power/Volume** knob on the front panel. The light on the front panel surrounding the knob should light up blue to indicate power is on. If the radio does not power on at the same time, press the power On/Off button on the radio.

You should now hear the SIRIUS audio. If you do not, increase the volume of the Speaker Dock by turning the **Power/Volume** knob clockwise (+).

If the light on the front panel surrounding the Power/Volume knob should turn red while the Speaker Dock is powered on, this indicates that the battery power is low. Replace the batteries.

## Using the AUX Input

If you want to listen to an external audio device such as an MP3 player or CD player through the Speaker Dock, do the following:

1. Initially set the volume level on the audio device to mid-range.
2. Connect the output of the audio device to the **aux in** connector on the front panel of the Speaker Dock. Press the **source** button to select the AUX input.
3. Adjust the volume on the audio device to obtain satisfactory audio output from the Speaker Dock. If the sound is distorted, lower the volume level on the audio device and increase the volume level on the Speaker Dock.

# Troubleshooting

<b>Symptom</b>	<b>Solution</b>
Speaker Dock does not power on	The AC Power Adapter is not connected, or the AC outlet into which it is plugged is not working. Check that the AC Power Adapter is connected to the Speaker Dock. Try plugging the AC Power adapter into a different outlet. Batteries are not installed, are installed incorrectly, or are bad. Install new batteries, if necessary, observing the correct polarity.
Speaker Dock does not operate on batteries	When the AC Power Adapter is connected to the Speaker Dock, the battery operation is disabled. Disconnect the AC Power Adapter or Cigarette Lighter Adapter. If the power light is red, this indicates that the batteries need to be replaced. Install new batteries, if necessary, observing the correct polarity.
SIRIUS radio displays: <i>Antenna Not Detected</i>	The indoor/outdoor antenna is not properly connected to the Speaker Dock. Check the indoor/outdoor antenna connection to the Speaker Dock. Radio is not completely seated into the Speaker Dock. Re-seat the radio into the Speaker Dock.

<b>Troubleshooting</b> <i>Continued</i>	
<b>Symptom</b>	<b>Solution</b>
SIRIUS radio displays: <i>Acquiring Signal</i>	<p>No SIRIUS signal is being received. Check for obstacles over or around the indoor/outdoor antenna.</p> <p>Ensure antenna is pointed in the right direction toward the sky for your area to be able to see the SIRIUS satellite. Change the location of the antenna to eliminate nearby obstacles (buildings, trees, overhangs etc.).</p>
No sound from the Speaker Dock speakers	<p>Power/Volume knob is in the extreme counter clockwise (-) position. Turn it clockwise toward the (+) position.</p> <p>Headphones are connected to the Speaker Dock. Disconnect the headphones.</p> <p>An audio device is connected to the <b>aux in</b> connection and is not producing sound. Press the <b>source</b> button to select audio output from the SIRIUS radio.</p>

# Optional Accessories

The following optional accessories are available for purchase from your SIRIUS retailer or at <http://www.sirius.com> to maximize your SIRIUS experience:

## **Echo Home Wireless Signal Repeater System (Model #: SIR-WRS1)**

The Echo Home Wireless Repeater System makes it easier to position and install your SIRIUS indoor/outdoor antenna for best reception without restricting where you want to place your SIRIUS radio or Speaker Dock. You can enjoy SIRIUS radio throughout your home without the need to run antenna wires.

The Echo Transmitter connects to the SIRIUS antenna and sends the SIRIUS signal throughout your home, including through walls and floors. The signal is received by the Echo Antenna, which connects to any SIRIUS radio. Now your SIRIUS radio can be conveniently located anywhere in your home, even in interior rooms, without restrictions due to antenna placement.

## **50' Antenna Extension Cable (Model #: 14230)**

The 50' Antenna Extension Cable extends the reach of your SIRIUS antenna cable by an additional 50 feet. It includes a built-in signal amplifier to ensure reliable reception of the SIRIUS signal.

# Specifications

Nominal Output Power per Channel	5 Watts RMS
Total Harmonic Distortion (THD)	0.2% at 1 Watt
Speaker Frequency Response	60Hz to 20kHz
Signal-to-Noise Ratio (S/N)	>70dB Maximum
Headphone Output Impedance	32 Ohms
Headphone Output Level (Variable)	12mW
Headphone Connector Type	3.5mm Stereo Jack (1/8")
Auxiliary Input Impedance	3K Ohms (Nominal)
Auxiliary Input Level	2.0 Volts RMS (Maximum)
Auxiliary Input Connector	3.5mm Stereo Jack (1/8")
Battery Type/Quantity	"D" Cell / 8 Total
AC Adapter	12 Volt, 3A, Center Positive
Overall Dimensions (W x H x D)	19" x 8" x 7" 487mm x 204.5mm x 179mm
Weight (Without Batteries)	7.3 lbs. (3.3 Kg)



# SIRIUS ID

Write down the SIRIUS ID (SID) of your SIRIUS radio in the space provided below.

SID: \_\_\_\_\_







**[sirius.com](http://sirius.com)**

SIRIUS XM Radio Inc.  
1221 Avenue of the Americas  
New York, NY 10020

**800.869.5590**

SUBX2 (SUBX2082808a)  
OO.ABCD1.001