

# Reading Device

KeyD 232 DUO  
KeyD 485 DUO  
KeyD ANT DUO

Manual and operational description

**SKIDATA**<sup>™</sup>  
access unlimited



Version February 2004

**SKIDATA AG**

Technical Documentation  
Untersbergstrasse 40  
A-5083 Gartenau  
Telephone +43 6246 888-0,  
Telefax +43 6246 888-7  
Internet <http://www.skidata.com>  
e-mail [docu@skidata.com](mailto:docu@skidata.com)

**Copyright**

© 2004 by SKIDATA AG. All rights reserved. All information in the following document is protected by copyright law. No part of this document may be reproduced without the written consent of SKIDATA AG. SKIDATA AG reserves the right to make any changes of specification and other information in this document without further notice.

**Please note**

During the compilation of this Technical Documentation, great care has been taken to ensure the accuracy of the information contained in it. However, despite our constant effort to ensure the highest degree of accuracy and comprehensiveness possible, the information provided cannot be guaranteed to be absolutely error-free.

**Trademarks**

This documentation may contain representations of registered product or service trademarks owned by SKIDATA AG or third parties, as well as references to proprietary know-how protected by copyright laws or other legal provisions. In any case the intellectual property rights remain exclusively with their respective owners.

**Declaration of Conformity**

The KeyDetector DUO has been developed, designed and manufactured in accordance with the following EU directive:

R&TTE (99/5/EC)

**CE 0408**

EU countries only: The length of the DC cable (cable between power adaptor and KeyDetector) must not exceed 3 m.

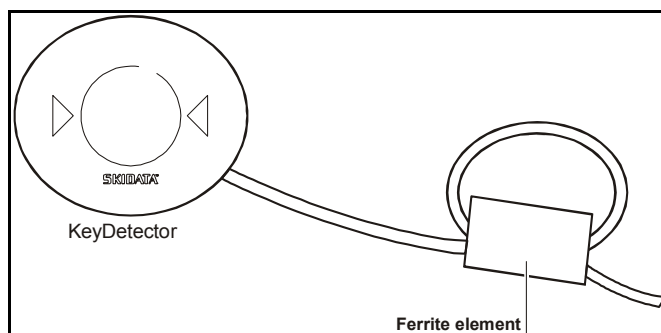
**FCC 15.19:**

This device complies with Part 15 of the FCC Rules. Operation is subject to the following two conditions: (1) this device may not cause harmful interference, and (2) this device must accept any interference received, including interference that may cause undesired operation.

**FCC 15.21:**

**IMPORTANT:** Any changes to or modifications of KeyDetector DUO unless expressly approved by SKIDATA AG, may void the user's authority to operate this device.

FCC only: the DC cable or combined DC/interface cable must be fitted with a ferrite element of type "Würth 74271131" near the location where the cable connects to the KeyDetector (see image; the cable must be 'looped' twice through the ferrite element, as illustrated below).



**KeyDetector DUO****1****Document Management – Version Table***Tab. 1: Document Version Table for Installation & Maintenance Instructions*

<b>Section</b>	<b>Document</b>	<b>Pages</b>	<b>Version</b>	<b>Date</b>
1	KeyDetector DUO	4	1.0	2004-02-02

## KeyDetector DUO

KeyDetector DUO is the standard interface module for SKIDATA's keymotion technology. As such it constitutes a connecting link interfacing keycard and Swatch Access data carriers with higher systems and applications.

- Proximity 122 kHz and 13 MHz transmission technology.
- Reads keymotion Data Carriers; allows coding them using automatic memory management.
- Contains a security-IC for encrypting data for keymotion data carriers.
- Control and communication via serial interface RS232 (RS485 optional) with defined protocol.
- Signalling by red/green/orange LED and beeper.

### Mounting Information

The data transmission between the KeyDetector and data carriers is sensitive against electrical and electromagnetic fields. Those fields are produced by electrical devices of any kind such as monitors, TV-sets, ... Thus the KeyDetector must not be placed near electrical devices. Also metal surfaces placed near the KeyDetector have a strong impact on the data

### Electrical Characteristics

	RS232-Versions	RS485-Versions
Supply Voltage ( $V_{in}$ )	7 V to 12 V	7 V to 12 V
Supply Current ( $I_{in}$ ) TAG write-mode	max. 500 mA excl. external antenna	
Supply Current ( $I_{in}$ ) Idle mode	typ. 60 mA max. 100 mA (no LEDs switched on)	

### Reading distance

	Typical
Swatch Access	40 mm
Swatch Beat	40 mm
KeyCard	100 mm
GemFree	80 mm

## KD DUO



transmissions. For sure and reliable operation it is necessary that there are no metal objects within 10 cm around the KeyDetector in any direction. If metal objects are placed between the KeyDetector and a data carrier data transmission will be impossible at all in most cases.

### Weights

	Weight
KeyDetector in housing	150 g (excl. power supply and cable)
module version	50 g

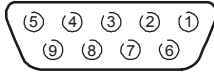
### Absolute Maximum Ratings

	RS232-Versions	RS485-Versions
Supply Voltage ( $V_{in}$ )	+15.00 V	+15.00 V
Input Voltage (Rx/D)	±30.00 V	
Input Voltage (A,B)		+5.00 V
Input Voltage IO1 – IO3	+32.00 V	+32.00 V
Output Current IO1/IO2	1.0 A	
Storage Temperature	-30 °C to +70 °C	
Operating Temperature	-20 °C to +60 °C	

**Pin Description - Desktop Versions**

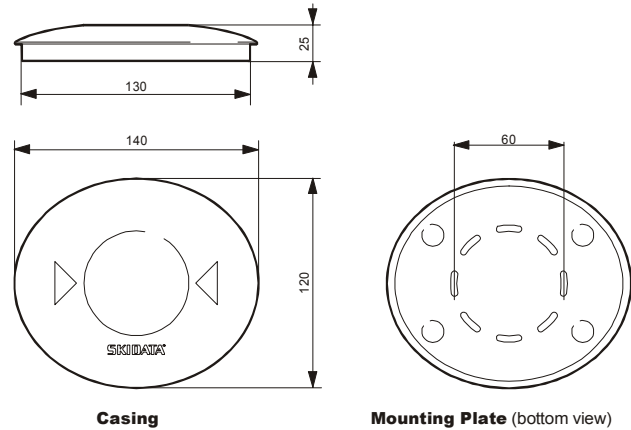
All desktop Versions have a cable with D-type subminiature connector with 9 pins; receptable (=female) housing. A plug-in power supply, connected to the cable, is also be included.

**Figure 1 - connector-receptable, front view**



Pin #	Signal	Function
1	-	not connected
2	RxD / A	RS232: Receive Data RS485: Signal A
3	TxD / B	RS232: Transmit Data RS485: Signal B
4	-	not connected
5	GND	Power Ground RS232: Signal Ground
6	-	not connected
7	-	not connected
8	-	not connected
9	Vin	Power Supply Voltage

**Figure 2**

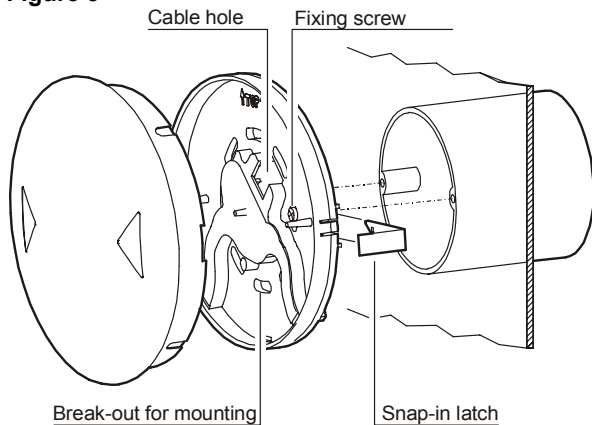


**Installing KD DUO**

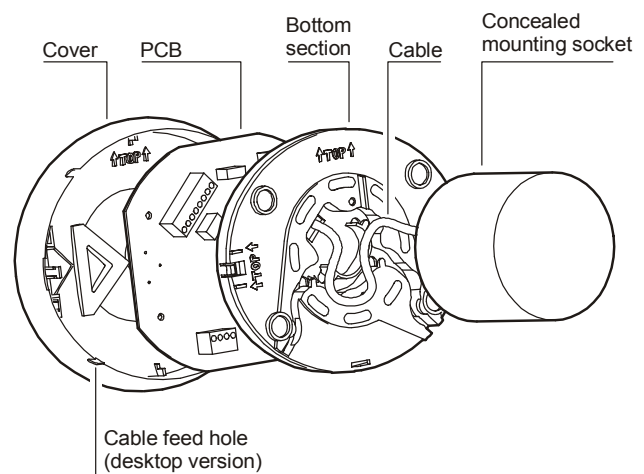
1. Thread cable through bottom section and fasten
2. Screw bottom section to mounting socket  
NOTE: Ensure correct alignment of TOP marking
3. Screw top cover to bottom section

All cables must be fed in vertically to prevent water from leaking in. Adjust cable feed as needed. Note that fixing screws are not included in delivery

**Figure 3**



**Figure 4**

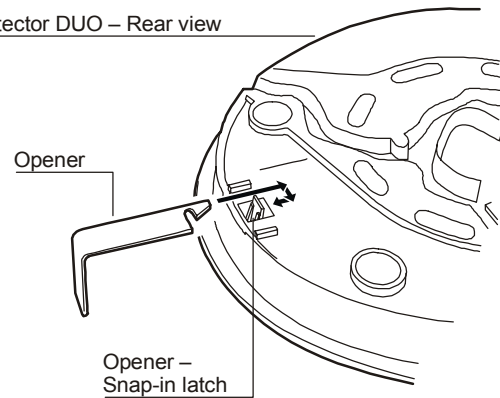


**Deinstalling KeyDetector DUO**

1. Slide opener into top and bottom guide rail (see Fig. 12).
2. Pull lever upwards or downwards
3. Pull lever out and lift off cover

**Figure 5**

KeyDetector DUO – Rear view



**Pin Description**

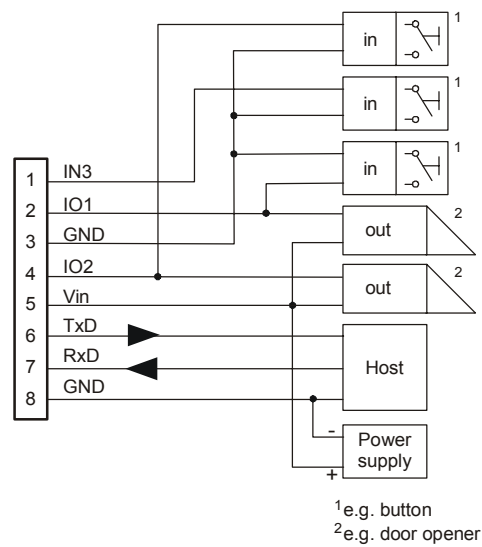
The PCB has three connectors, one to connect the optional external antenna, one for the power supply and data, separate for surface mount and desktop version. To attach an external antenna (optional), see Fig. 10.

**Pin Description – Connector “power / data 1”**

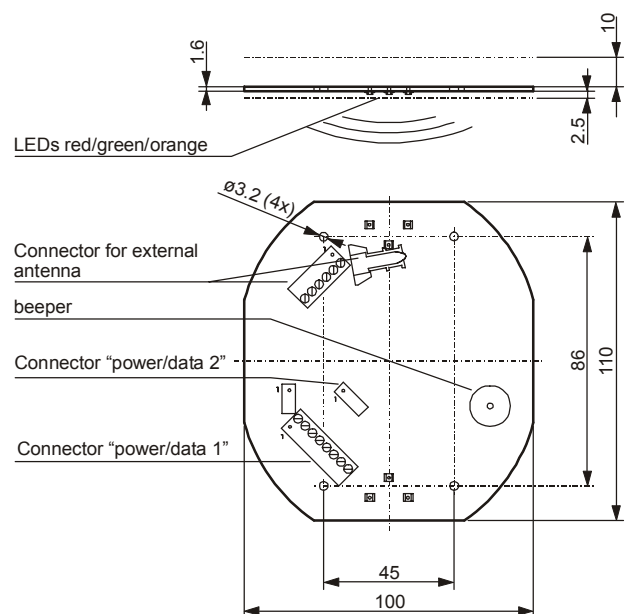
This is an 8 pin connector, fixed by screws. Cable diameter: 0,14 mm<sup>2</sup> - 0,75 mm<sup>2</sup>.

Pin	Signal	Function
1	IN 3	Input
2	IO1	Input / Output
3	GND	Power Ground
4	IO2	Input / Output
5	Vin	Power supply voltage
6	TxD/A	KeyD: Data out KD
7	TxD/B	KeyD: Data in KD
8	GND	Power Ground

**Figure 6**



**Figure 7**

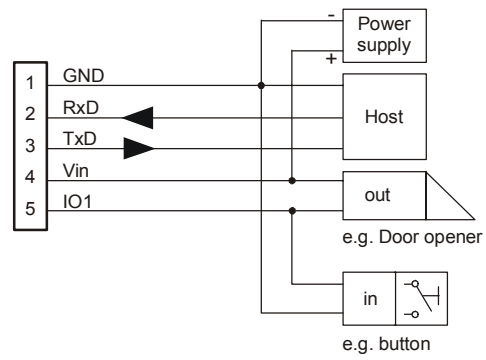


**Connector “Power / Data 2”**

(use connector JST-PHR-5 or JST-08KR)

Pin #	Signal	Function
1	GND	Power Ground
2	RxD	RS232: Receive Data KD DUO
3	TxD	RS232: Transmit Data KD DUO
4	Vin	Power supply, 9 to 12 VDC
5	IO1	Signal in / out

**Figure 8**





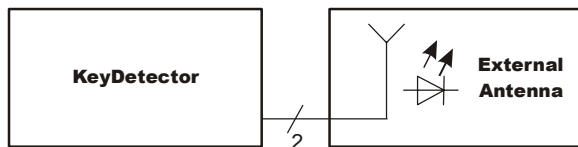
## External Antenna DUO

The external antenna can be used in applications where the KeyDetector with integrated antenna is not applicable and/or where a second KeyDetector would be unnecessarily redundant.

- Increases KeyDetector security
- Signalling by red/green/orange LED
- Design and outline dimensions similar to KeyDetector
- Can be mounted directly on a flat surface or in a standard wall socket

**Figure 9**

Block diagram



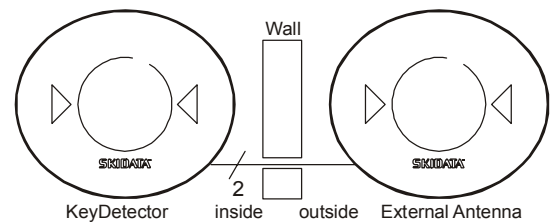
### Mounting Information

The data transmission between the external antenna and data carriers is sensitive against electrical and electro-magnetical fields. Those fields are produced by electrical devices of any kind such as monitors, TV-sets, ... Thus the external antenna must not be placed near electrical devices. Also metal surfaces placed

## KeyD ANT DUO



Function scheme



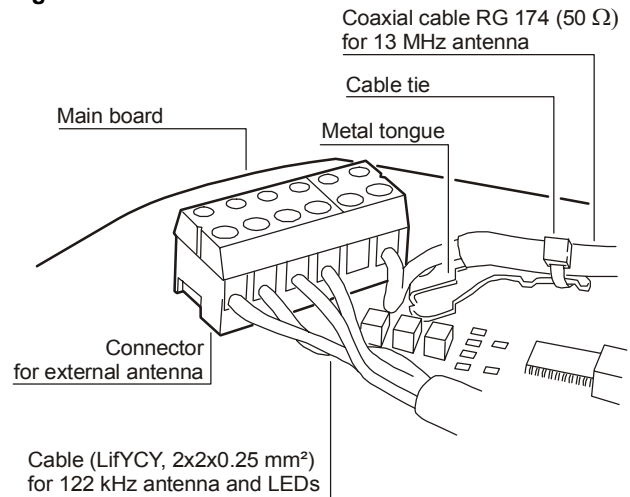
near the external antenna have a strong impact on the data transmission. For reliable operation no metal objects should be within 10 cm around the external antenna in any direction. If metal objects are placed between the external antenna and a data carrier, data transmission will be impossible at all in most cases.

### Connector for External Antenna

(use connector RIACON Type 166)

Terminal pin #	Signal	Wire Colours	Function
1	ANT 13 MHz	Coaxial cable inside	External 13 MHz antenna
2	GND	Coaxial cable shield	
3	ANT 122 kHz	White	External 122 kHz antenna
4	GND	Brown	
5	LED-R	Yellow	LED, red or green or orange (both)
6	LED-G	Green	

Figure 10



To connect and fasten the coaxial cable

- Insert metal tongue between cable shield and insulation
- Fasten cable tie