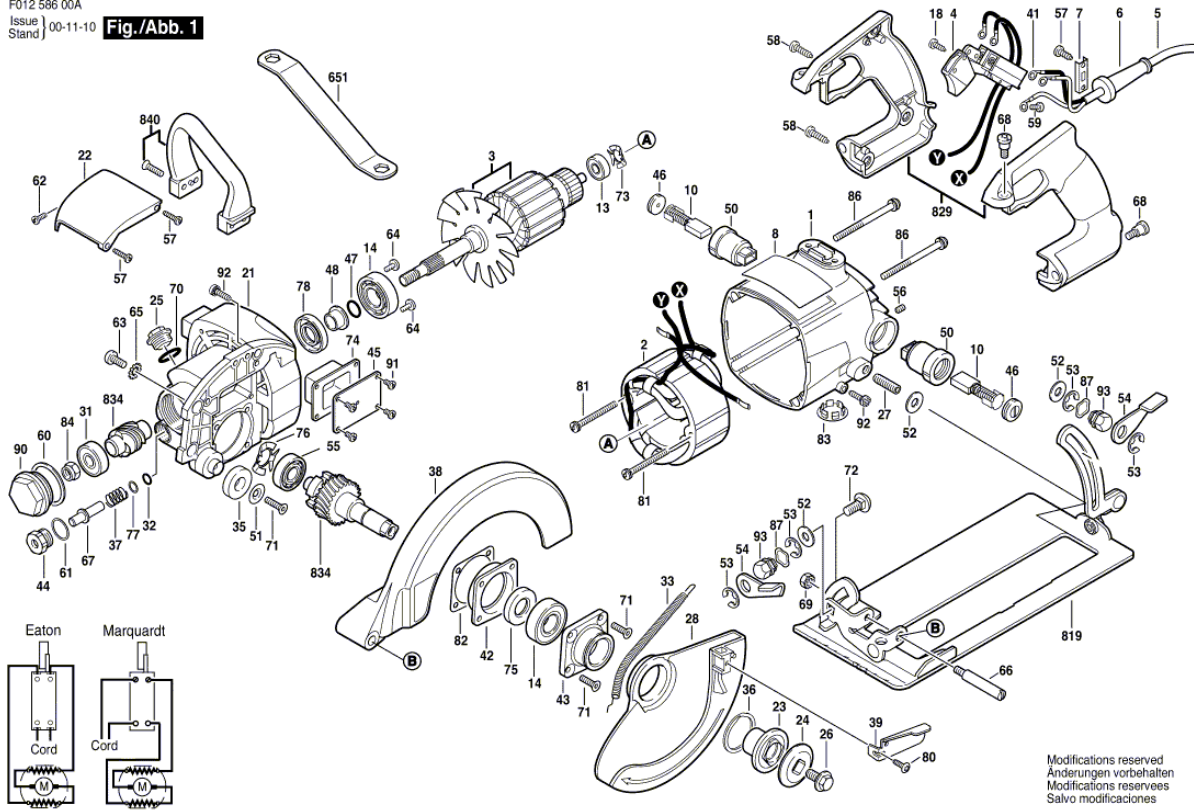




F 012 586 099 CIRCULAR SAW 5860

20.09.2006
23:32:36

F012 586 00A
Issue | 00-11-10 | **Fig./Abb. 1**
Stand |



Modifications reserved
Änderungen vorbehalten
Modifications reserves
Salvo modificaciones

Item	Quantity	Order No.	Designation	Price group	Page
1	1	2 610 352 053	HOUSING		1
2	1	2 610 329 947	FIELD		1
3	1	2 610 329 937	ARMATURE \ 120V		1
4	1	2 610 321 608	ON-OFF SWITCH		1
5	1	2 610 320 881	MAINS CONNECTION CABLE		1
6	1	2 610 005 970	GROMMET		1
7	1	2 610 003 719	CABLE CLIP		1
8	1	2 610 994 098	NAMEPLATE		1
10	2	2 610 320 391	CARBON BRUSH		1
13	1	2 610 017 348	DEEP-GROOVE BALL BEARING		1
14	2	2 610 024 748	BALL BEARING		1
18	1	2 610 901 971	SCREW		1
21	1	2 610 352 057	GEAR HOUSING		1
22	1	2 610 303 855	COVER		1
23	1	2 610 352 118	PLAIN WASHER		1
24	1	2 610 901 964	PLAIN WASHER		1
25	1	2 610 023 384	LOCK		1
26	1	2 610 932 181	BOLT		1
27	1	2 610 315 286	BOLT		1
28	1	2 610 352 113	PIVOTING BLADE GUARD		1
31	1	2 610 017 875	BALL BEARING		1
32	1	2 610 015 726	RING		1
33	1	2 610 993 546	EXTENSION SPRING		1
35	1	2 610 319 494	BUFFER		1
36	1	2 610 341 359	RETAINING RING		1
37	1	2 610 023 394	SPRING		1
38	1	2 610 352 104	UPPER HOUSING		1
39	1	2 610 352 085	CONTROL LEVER		1
41	3	2 610 316 596	TERMINAL		1
42	1	2 610 352 115	PIVOT PLATE		1
43	1	2 610 352 091	HOLDING PLATE		1
44	1	2 610 023 324	PIN		1
45	1	2 610 023 336	COVER		1
46	2	3 603 463 500	SCREW PLUG		1
47	1	2 610 044 638	RING		1
48	1	2 610 023 330	SEAL		1
50	2	2 610 329 940	CARBON BRUSH HOLDER		1
51	1	2 610 004 341	DISC		1
52	3	2 610 009 722	PLAIN WASHER		1
53	4	2 610 302 855	RING		1
54	2	2 610 968 745	LEVER		1
55	1	2 610 000 166	BALL BEARING		1
56	2	2 610 027 039	FITTING SCREW		1
57	4	2 610 315 299	SCREW		1
58	4	2 610 315 380	SCREW		1
59	1	2 610 320 173	SCREW		1
60	1	2 610 023 331	WASHER		1
61	1	2 610 025 067	WASHER		1
62	1	2 610 329 929	SCREW		1
63	2	2 610 329 955	SCREW		1
64	3	2 610 341 365	SCREW		1

65	2	2 610 306 355	WASHER	1
66	1	2 610 319 932	BOLT	1
67	1	2 610 325 655	PIN	1
68	4	2 610 353 799	SHIM RING	1
69	1	2 610 902 381	HEXAGON NUT	1
70	1	2 610 044 639	O-RING	1
71	5	2 610 027 002	SCREW	1
72	1	2 610 016 325	ADJUSTING PIN	1
73	1	2 610 004 459	WASHER	1
74	1	2 610 023 335	INSERT	1
75	1	2 610 025 245	SEAL	1
76	1	2 610 004 521	SPRING	1
77	1	2 610 017 016	DISC	1
78	1	2 610 329 927	SNAP RING	1
80	1	2 610 328 924	SCREW	1
81	2	2 610 329 952	SCREW	1
82	1	2 610 023 334	SEALING PLATE	1
83	1	2 610 350 005	PLUG	1
84	1	2 610 318 324	NUT	1
86	4	2 610 329 954	SCREW	1
87	2	2 610 069 183	SPRING WASHER	1
90	1	2 610 923 336	BEARING END PLATE	1
91	4	2 610 353 289	SELF-TAPPING SCREW	1
92	2	2 610 992 206	HEX-SOCKET-HEAD CAP SCREW	1
93	2	2 610 318 265	NUT	1
651	1	2 610 000 266	SCREWDRIVER	1
819	1	2 610 357 548	GUIDE PIECE	1
829	1	2 610 902 881	HANDLE	1
834	1	2 610 357 524	GEAR HOUSING	1
840	1	2 610 990 138	AUXILIARY HANDLE	1

