

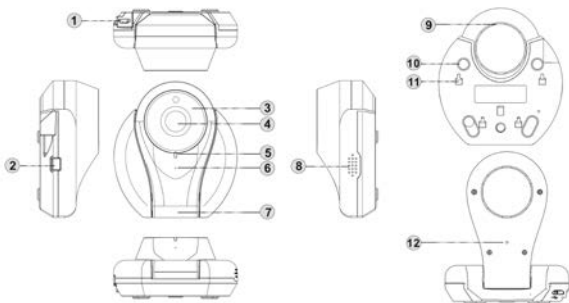
**HOME+ SIMS
HPC01
User Manual**



1. Key Features

- Stunning video quality.
- 102 °Wide field of view.
- Set up your camera directly from your Smart device.
- Live stream via your Smart Device.

2. Functional Parts



1	Micro USB Port	Power up your camera by connecting to an external power supply
2	Set Button	Press to enter the QR code scanning mode
3	IR LED Indicator	Turn on/off automatically for night vision
4	Lens	Provide a clear, wide angle sight
5	Status LED Indicator	Show the camera status
6	Microphone	For audio input
7	Swivel Joint	Pan the camera by different location usage
8	Speaker	For audio output
9	Heat Radiating Vents	For heat radiation
10	Rubber Base	Add friction while locating your

		camera on a smooth surface
11	Mount Slots	Attach the camera to the Mounting bracket
12	Reset Button	Reset the camera

3. Connect your Camera to an External Power Supply

Plug the included AC adaptor into the USB cable and plug it into an outlet. Plug the USB cable into the port on your camera and place it wherever you want.

1. The camera will automatically turn on after connecting to an external power supply.
2. The camera's status LED indicator will light up in Purple for about 30 sec, then, it will blink alternately in Red and Blue.



4. Set up your Camera

The camera can be set up and connected to an AP by scanning a QR code and reading the AP information through the Home plus Application.

Remark:

Search for home+ app via the Play Store or App Store. Download and install the app to your smart device.

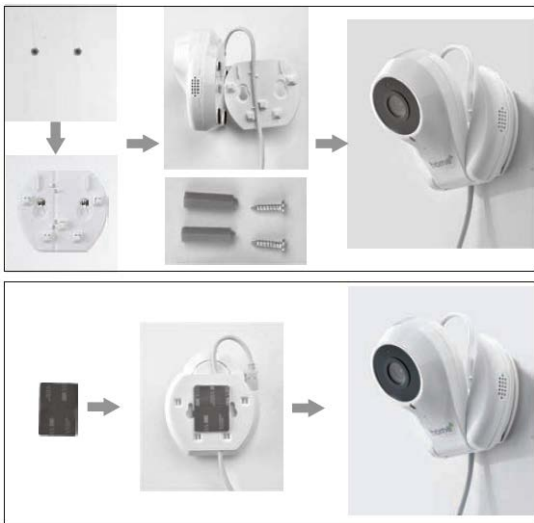
Plug it in and connect to your Wi-Fi network. You're ready to begin live streaming!

Please refer to the "Help" page of the home+ app to download, operate, and utilize the full capabilities of the App.

5. Mount your Camera on a Wall or Ceiling

Your camera can stand on flat surface, besides, it can be mounted on any wall or ceiling. Simply:

1. Attach the mounting bracket to your wall or ceiling by using the screws and wall insert included in the box. Or, you can use the 3M adhesive to stick the mounting bracket to the wall or ceiling.
2. Mount your camera by fitting the base into the mounting bracket.
3. Plug it into a power outlet.



6. Specifications

Wireless	802.11 b/g/n
Lens	Wide angle
Video Resolution	720p (1280x720) WVGA (848x480) WQVGA (432x240)
Video Format	H.264
Photo Resolution	1MP
White Balance	Auto
Night Vision	Around 6 meters
Microphone	Built-in
Speaker	Built-in,1W,8 ohm
Motion Detection	Yes
Image Sound Detection	Yes
Power	AC/DC adapter
Input Voltage	AC:100-240V/50-60HZ
Output Voltage	DC:5V/1.0A
Compatibility	IOS 6.0/Android 4.0 or higher
Operating Temperature	0°-40 °C
Storage Temperature	-30°-80°C

7. Mobile System Minimum Requirements

Operating System	IOS 6.0/Android 4.0 or higher
CPU	1GHz or above
RAM	1GB or above

8. Troubleshooting

Problem	Cause	Solution
Camera disconnects from Wi-Fi network	<ol style="list-style-type: none">1. Limited upload bandwidth2. Distance between the router and the camera is far3. Wi-Fi interference	<ol style="list-style-type: none">1. Check with your internet service provider2. Move your camera closer to your router3. Reduce the number of connected devices near the camera
Fail to view videos using your smart device	<ol style="list-style-type: none">1. Wi-Fi disconnection2. This camera is not properly connected	<ol style="list-style-type: none">1. Reconnect the camera to your Wi-Fi network2. Check the USB cable and power connection
Status LED lights up in Red	Disconnection with AP	<ol style="list-style-type: none">1. Restart your router2. Reset your camera and pair it again
Status LED flashes in Red slowly	Disconnection with server	Make sure your internet Connection is alright
Camera cannot recognize QR code	<ol style="list-style-type: none">1. The camera lens and the QR code are not in parallel2. Scan distance is not proper3. Ambient light is either too weak or strong	<ol style="list-style-type: none">1. Make sure the camera lens and the QR code are in parallel.2. Adjust the scan distance properly per the screen size of your mobile device3. Avoid scanning in dark environment or strong sunlight
Camera cannot detect router	The router's channel is beyond the camera's detection range	Set the router's channel within the range from 1 to 11

FCC Statement

Warning: Changes or modifications to this unit not expressly approved by the party responsible for compliance could void the user's authority to operate the equipment.

NOTE: This equipment has been tested and found to comply with the limits for a Class B digital device, pursuant to Part 15 of the FCC Rules. These limits are designed to provide reasonable protection against harmful interference in a residential installation. This equipment generates, uses and can radiate radio frequency energy and, if not installed and used in accordance with the instructions, may cause harmful interference to radio communications.

However, there is no guarantee that interference will not occur in a particular installation. If this equipment does cause harmful interference to radio or television reception, which can be determined by turning the equipment off and on, the user is encouraged to try to correct the interference by one or more of the following measures:

- Reorient or relocate the receiving antenna.
- Increase the separation between the equipment and receiver.
- Connect the equipment into an outlet on a circuit different from that to which the receiver is connected.
- Consult the dealer or an experienced radio/ TV technician for help.

This device complies with Part 15 of the FCC Rules. Operation is subject to the following two conditions:

- (1) This device may not cause harmful interference.
- (2) This device must accept any interference received, including interference that may cause undesired operation.

This equipment must be installed and operated in accordance with provided instructions and the antenna(s) used for this transmitter must be installed to provide a separation distance of at least 20 cm from all persons and must not be co-located or operating in conjunction with any other antenna or transmitter. End-users and installers must be provided with antenna installation instructions and transmitter operating conditions for satisfying RF exposure compliance.



For EU only

AM-HPC01-GB-STD-1