



Operating Manual



4K IPTV Set Top Box

A12E

Table of Contents

Quick Setup Guide.....	Page 1
Specifications.....	Page 2
Safety Information.....	Page 3
General Information.....	Page 5
Packing Details.....	Page 6
Rear Panel.....	Page 6
Connection Overview.....	Page 7
Remote Control.....	Page 8
Connect to TV with AV Cable.....	Page 9
Connect to TV with HDMI Cable.....	Page 10
Warranty.....	Page 11
Noxious Substance.....	Page 18

Quick Setup Guide

1. Connect A12E to TV

Use the included AV or HDMI cable.

2. Connect A12E to Power

Plug included power adapter into A12E and wall AC electric receptacle.

3. Connect A12E to Network

Use an Ethernet cable or configure Wi-Fi (See step 4).

4. For Wi-Fi Only

Select Wi-Fi settings.

Select preferred Wi-Fi network.

Provide password (if required) for the selected Wi-Fi network.

(Some Wi-Fi networks may require a user name & password).

5. Watch TV on the A12E

From “Home” screen, select shortcut for IPTV player application.

A12E will start on the last channel watched.

Specifications

Product Name	STB
CPU	ARM Cortex A5 (Quad - core 2.0GHZ)
OS	Android 5.1
RAM	1GB
Flash	4GB
Power	12V=1A

Working environment: Working temperature: 0C--45 C moisture: <90%
Storage temperature: -20 C-- 45 C moisture:<95%

Safety Information (1)



To prevent electric shock, do not open the A12E enclosure. Refer servicing to qualified personnel.



The A12E should not be placed near liquid or objects filled with liquid.

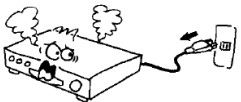


Do not place A12E, remote controller or batteries in direct sunlight, near exposed flame, or other heat source.

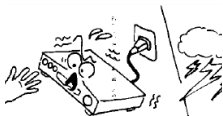


Do not block ventilation holes of the A12E, to permit proper air circulation.

Safety Information (2)



Unplug A12E power immediately if any unexpected behavior (smoking, sound, smell, etc.).



Do not touch the A12E during a lightning storm, which may create electric-shock hazards.

CAUTION: Risk of Explosion if Battery is replaced by an Incorrect Type.
Dispose of Used Batteries According to the Instructions.

FCC STATEMENT

1. This device complies with Part 15 of the FCC Rules.

Operation is subject to the following two conditions:

(1) This device may not cause harmful interference.

(2) This device must accept any interference received, including interference that may cause undesired operation.

NOTE

This equipment has been tested and found to comply with the limits for a Class B digital device, pursuant to Part 15 of the FCC Rules. These limits are designed to provide reasonable protection against harmful interference in a residential installation.

General Information

This equipment generates, uses and can radiate radio frequency energy and, if not installed and used in accordance with the instructions, may cause harmful interference to radio communications. However, there is no guarantee that interference will not occur in a particular installation. If this equipment does cause harmful interference to radio or television reception, which can be determined by turning the equipment off and on, the user is encouraged to try to correct the interference by one or more of the following measures:

Reorient or relocate the receiving antenna.

Increase the separation between the equipment and receiver.

Connect the equipment into an outlet on a circuit different from that to which the receiver is connected.

Consult the dealer or an experienced radio/TV technician for help.

FCC Radiation Exposure Statement

This equipment complies with FCC radiation exposure limits set forth for an uncontrolled environment. In order to avoid the possibility of exceeding the FCC radio frequency exposure limits, human proximity to the antenna shall not be less than 20cm(8 inches) during normal operation.

Changes or modifications not expressly approved by the party responsible for compliance could void the user's authority to operate the equipment.

Packing Details



STB



Remote controller



Power adapter



Batteries

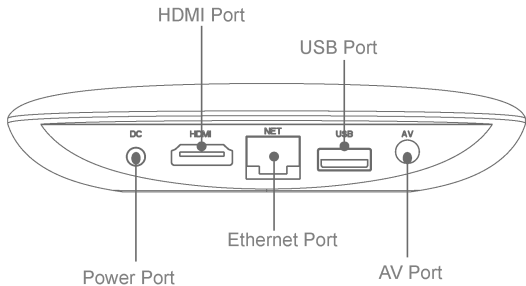


HDMI Cable

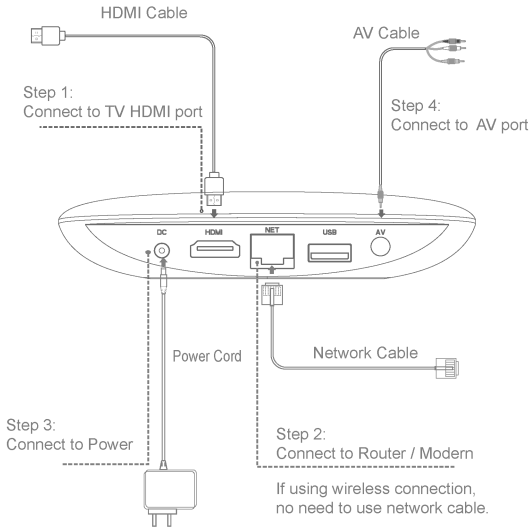


AV Cable

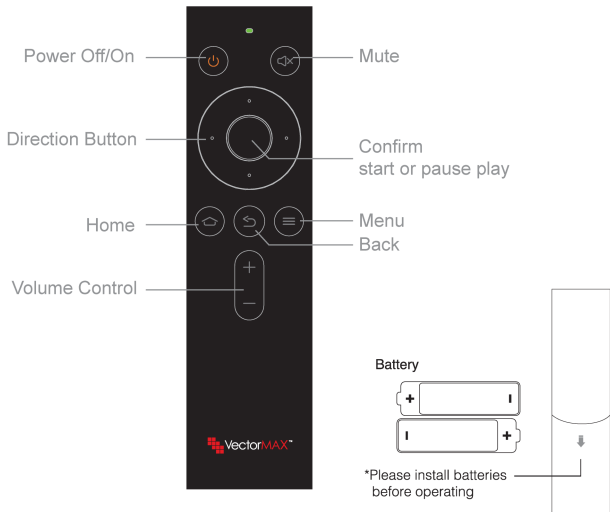
Rear Panel



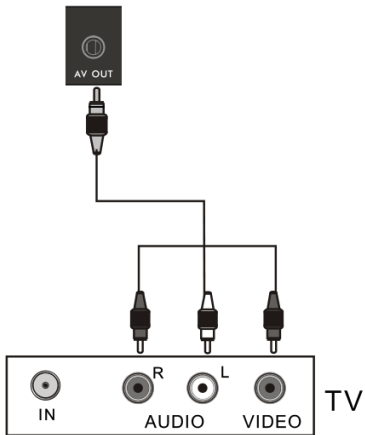
Connection Overview



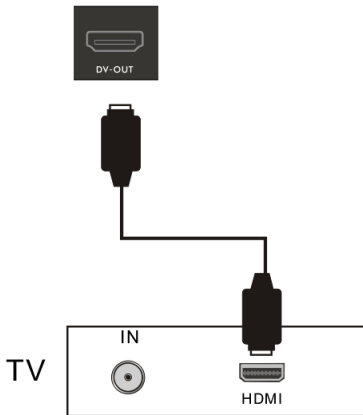
Remote Control



Connect to TV with AV Cable



Connect to TV with HDMI Cable



Warranty (1)

VectorMAX Warranty

Thank you for your patronage. We at VectorMAX Corporation ("VectorMAX") appreciate your loyalty and support. VectorMAX is committed to providing you with the highest quality most feature filled experience available. If you received this device from a third party such as a carrier or service provider, please contact that entity for all service related and product warranty issues. Please do not contact VectorMAX directly if you did not purchase this device yourself from an authorized retailer.

IF YOU PURCHASED THIS DEVICE, PLEASE FILL OUT THE ENCLOSED WARRANTY CARD AND RETURN TO VECTORMAX CORPORATION WITH A COPY OF YOUR PURCHASE RECEIPT TO ACTIVATE YOUR WARRANTY

Limited Warranty

For direct purchasers of this device, the warranty obligations of VectorMAX for this product are limited to the terms set forth below:

Warranty (2)

What is Covered

This limited warranty covers defects in materials and workmanship in this product.

Thank you for your patronage. We at VectorMAX Corporation appreciate your loyalty and support. VectorMAX is committed to providing you with the highest quality most feature filled experience available.

This product guaranteed for 12 months after date of purchase against all defects due to faulty design or manufacture. Should this device not perform as required

What Is Not Covered

This limited warranty does not cover any damage, deterioration or malfunction resulting from any alteration, modification, improper or unreasonable use or maintenance, misuse, abuse, accident, neglect, exposure to excess moisture, fire, improper packing and shipping (such claims must be presented to the carrier), lightning, power surges, or other acts of nature. This limited warranty does not cover any damage, deterioration or malfunction resulting from the installation or removal of this product from any installation, any unauthorized tampering with this product, any repairs attempted by anyone unauthorized by VectorMAX to make such repairs, or any other cause which does not relate directly to a defect in materials and/or workmanship of this product. This limited warranty does not relate

Warranty (3)

directly to a defect in materials and/or workmanship of this product. This limited warranty does not cover cartons, equipment enclosures, cables or accessories used in conjunction with this product. Without limiting any other exclusion herein, VectorMAX does not warrant that the product covered hereby, including, without limitation, the technology and/or integrated circuit(s) included in the product, will not become incompatible with other devices or that such items are or will remain compatible with any other product or technology with which the product may be used.

How Long this Coverage Lasts

The standard limited warranty for VectorMAX products is one (1) year from the date of original purchase.

Who is Covered

Only the original purchaser of this product is covered under this limited warranty. This limited warranty is not transferable to subsequent purchasers or owners of this product.

What VectorMAX Will Do

VectorMAX will, at its sole option, provide one of the following three remedies to whatever extent it shall deem necessary to satisfy a proper claim under this limited warranty:

1. Elect to repair or facilitate the repair of any defective parts within a

Warranty (4)

reasonable period of time, free of any charge for the necessary parts and labor to complete the repair and restore this product to its proper operating condition.

2. Replace this product with a direct replacement or with a similar product deemed by VectorMAX to perform substantially the same function as the original product.

3. Issue a refund of the original purchase price less depreciation to be determined based on the age of the product at the time remedy is sought under this limited warranty.

What VectorMAX Will Not Do

Under This Limited Warranty If this product is returned to VectorMAX or the authorized dealer from which it was purchased or any other party authorized to repair VectorMAX products, this product must be insured during shipment, with the insurance and shipping charges prepaid by you. If this product is returned uninsured, you assume all risks of loss or damage during shipment. VectorMAX will not be responsible for any costs related to the removal or re-installation of this product from or into any installation. VectorMAX will not be responsible for any costs related to any setting up this product, any adjustment of user controls or any programming required for a specific installation of this product.

Warranty (5)

How to Obtain a Remedy Under This Limited Warranty

To obtain a remedy under this limited warranty, you must contact either the authorized VectorMAX reseller from whom you purchased this product or the VectorMAX office nearest you. For a list of authorized VectorMAX resellers and/or VectorMAX authorized service providers, visit our web site at www.vectormax.com or contact the VectorMAX office nearest you. In order to pursue any remedy under this limited warranty, you must possess an original, dated receipt as proof of purchase from an authorized VectorMAX reseller. If this product is returned under this limited warranty, a return authorization number, obtained from VectorMAX, will be required (RMA number). You may also be directed to an authorized reseller or a person authorized by VectorMAX to repair the product. If it is decided that this product should be returned directly to VectorMAX, this product should be properly packed, preferably in the original carton, for shipping. Cartons not bearing a return authorization number will be refused.

Limitation of Liability

THE MAXIMUM LIABILITY OF VECTORMAX UNDER THIS LIMITED WARRANTY SHALL NOT EXCEED THE ACTUAL PURCHASE PRICE PAID FOR THE PRODUCT. TO THE MAXIMUM EXTENT PERMITTED BY LAW, VECTORMAX IS NOT RESPONSIBLE FOR DIRECT, SPECIAL, INCIDENTAL OR CONSEQUENTIAL DAMAGES RESULTING

Warranty (6)

ANY BREACH OF WARRANTY OR CONDITION, OR UNDER ANY OTHER LEGAL THEORY. Some countries, districts or states do not allow the exclusion or limitation of relief, special, incidental, consequential or indirect damages, or the limitation of liability to specified amounts, so the above limitations or exclusions may not apply to you.

Exclusive Remedy

TO THE MAXIMUM EXTENT PERMITTED BY LAW, THIS LIMITED WARRANTY AND THE REMEDIES SET FORTH ABOVE ARE EXCLUSIVE AND IN LIEU OF ALL OTHER WARRANTIES, REMEDIES AND CONDITIONS, WHETHER ORAL OR WRITTEN, EXPRESS OR IMPLIED. TO THE MAXIMUM EXTENT PERMITTED BY LAW, VECTORMAX SPECIFICALLY DISCLAIMS ANY AND ALL IMPLIED WARRANTIES, INCLUDING, WITHOUT LIMITATION, WARRANTIES OF MERCHANTABILITY AND FITNESS FOR A PARTICULAR PURPOSE. IF VECTORMAX CANNOT LAWFULLY DISCLAIM OR EXCLUDE IMPLIED WARRANTIES UNDER APPLICABLE LAW, THEN ALL IMPLIED WARRANTIES COVERING THIS PRODUCT, INCLUDING WARRANTIES OF MERCHANTABILITY AND FITNESS FOR A PARTICULAR PURPOSE, SHALL APPLY TO THIS PRODUCT AS PROVIDED UNDER APPLICABLE LAW. IF ANY PRODUCT TO WHICH THIS LIMITED WARRANTY APPLIES IS A "CONSUMER PRODUCT"

Warranty (7)

UNDER THE MAGNUSON-MOSS WARRANTY ACT (15 U.S.C.A. §2301, ET SEQ.) OR OTHER APPLICABLE LAW, THE FOREGOING DISCLAIMER OF IMPLIED WARRANTIES SHALL NOT APPLY TO YOU, AND ALL IMPLIED WARRANTIES ON THIS PRODUCT, INCLUDING WARRANTIES OF MERCHANTABILITY AND FITNESS FOR THE PARTICULAR PURPOSE, SHALL APPLY AS PROVIDED UNDER APPLICABLE LAW.

Other Conditions

This limited warranty gives you specific legal rights, and you may have other rights which vary from country to country or state to state. This limited warranty is void if (i) the label bearing the serial number of this product has been removed or defaced, (ii) the product is not distributed by VectorMAX or (iii) this product is not purchased from an authorized VectorMAX reseller. If you are unsure whether a reseller is an authorized VectorMAX reseller, visit our web site at www.vectormax.com or contact a VectorMAX office from the list at the end of this document. Your rights under this limited warranty are not diminished if you do not complete and return the product registration form or complete and submit the online product registration form. VectorMAX thanks you for purchasing a VectorMAX product. We hope it will give you years of satisfaction.

