

The **KICKER**

Multi-purpose fan convection heater



• **KICK SPACE** • **RECESSED WALL MOUNT** • **SURFACE WALL MOUNT**

When there's not enough wall space to install baseboard radiation, install The Kicker by Slant/Fin. The compact Kicker provides the heat output of up to 12 feet of baseboard, depending on the model you choose. Sized to fit under cabinets or between wall studs, The Kicker is simple to install and easy to operate.

Set it and forget it

The Kicker is generally installed in series with baseboard or other radiators that make up a heating zone. An aquastat inside The Kicker activates The Kicker's fan so that it automatically turns on and off, delivering a quiet flow of heat to the room whenever the radiators in the heating zone are hot. A convenient switch enables the user to set the fan speed at high, low or off. The Kicker may also be installed as a separate zone with its own room thermostat. Routine cleaning is the only maintenance The Kicker should require.



Unique manifold heat exchanger provides better performance

The unique manifold-type heat exchanger of The Kicker provides higher heat output while minimizing friction loss. The supply water in each of the short loops off the manifold makes just a single pass through the heat exchanger. This provides higher supply water temperature to a greater percentage of the heat exchanger fins than a serpentine coil. Since this configuration helps minimize pressure drop, you can often install The Kicker in the same heating loop with baseboard, without diverting tees. That reduces installation costs.

Competitive units use a less efficient serpentine loop heat exchanger. The supply water cools as it flows from one end of the long loop to the other, reducing heat output.

The two Kicker models, TK-70 and TK-90, are packaged for kick space installation. The output varies by model but the physical dimensions are identical. Accessory kits are available to install The Kicker in a recessed wall mount or surface wall mount application. Each kit includes the additional cabinet, grille and hardware necessary for these installations.

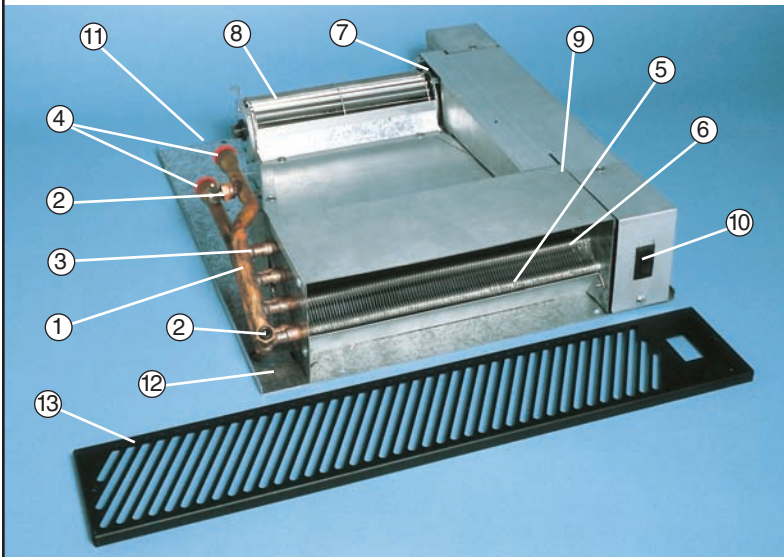
The Kicker outperforms the competition

Although several kickspace heaters have been on the market for a number of years, there has been no industry standard for establishing their ratings. The Hydronics Institute is currently evaluating test procedures that would permit all kickspace heaters to be rated under common IBR test conditions. Slant/Fin followed one of the proposed test procedures to establish its ratings. In its own tests, Slant/Fin found The Kicker to have higher output than competitive units that it tested.

Slant/Fin®

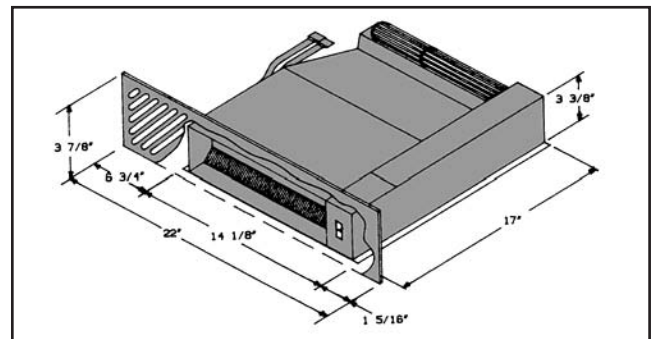
HIGH PERFORMANCE HEATING FOR HARD TO HEAT AREAS

Design features help ensure long life and reliable operation.



- ① High performance manifold-type heat exchanger.
- ② Two built-in air vent tapings. Coin or screwdriver access.
- ③ Brazed tube joints resist rigors of installation and years of operation.
- ④ 1/2" hot water supply and return fittings.
- ⑤ Aluminum turbo fin heat exchanger maximizes heat transfer.
- ⑥ Expanded copper tube bonds fin to copper for high heat transfer.
- ⑦ Heavier duty 2-speed blower motor for extended life. Internally cooled. Permanently lubricated.
- ⑧ Tangential aluminum blower.
- ⑨ Aquastat permits blower operation only when the water temperature is above 130°F.
- ⑩ Three-position blower switch is easily accessible.
- ⑪ Hot dipped galvanized chassis resists rust and corrosion.
- ⑫ Rubber grommets cushion chassis for quiet operation.
- ⑬ 22" matte black grille separates heated air from intake air for better performance.

Model	CFM	Water Flow GPM	HOT WATER RATINGS (BTUH)				
			140°	160°	180°	200°	220°
TK-90 With SMK or RMK Wall Mount Kit	81	3	5154	6958	8715	10465	12216
		2	4894	6660	8390	10111	11839
		1	4005	5616	7227	8839	10450
TK-90 Kickspace	68	3	4437	5914	7350	8770	10218
		2	4250	5698	7118	8519	9941
		1	3584	4925	6266	7607	8948
TK-70 With SMK or RMK Wall Mount Kit	72	3	4269	5456	6632	7805	8979
		2	4094	5285	6428	7576	8722
		1	3658	4753	5849	6944	8039
TK-70 Kickspace	60	3	3721	4684	5638	6601	7558
		2	3616	4559	5501	6440	7386
		1	3267	4171	5075	5979	6883



Kickspace Locations No separate kit required

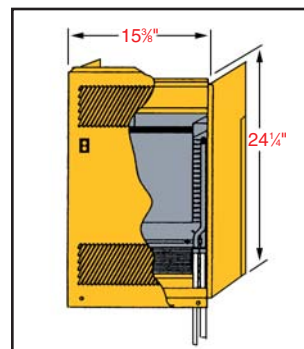
WATER PRESSURE DROP (FEET W.C.)		
GPM	Models	
	TK-90	TK-70
1	0.32	0.34
2	1.30	1.40
3	2.80	3.00

3 YEAR LIMITED WARRANTY

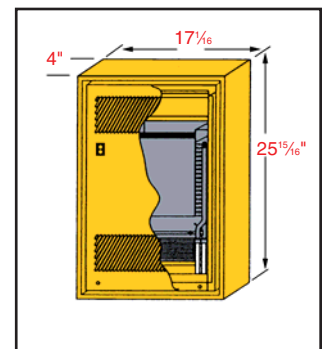
The Kicker comes with a 3-year limited warranty against defects in materials and workmanship. Complete warranty details available upon request.

Ratings are BTU per hour with 65° entering air. Blower motor voltage:

120 VAC, 60 Hz.
TK-90--0.72 F.L.A., 41 Watts
TK-70--0.62 F.L.A., 37 Watts



Recessed Wall Mounted
Requires Kit RMK



Surface Wall Mounted
Requires Kit SMK



©Slant/Fin Corp. 1994. Printed in the U.S.A. 101. Publication No. TK-10.