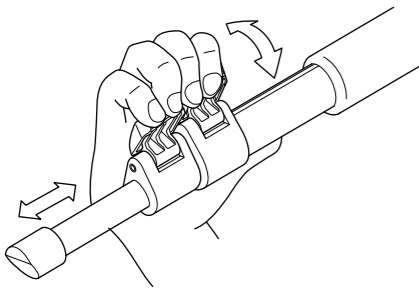


Extending the tripod legs

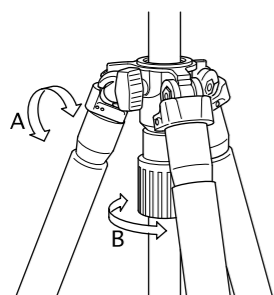


Flip up the leg lock lever to extend or shorten any of the individual leg sections to the desired length and press the leg lock lever flush against the leg to lock.

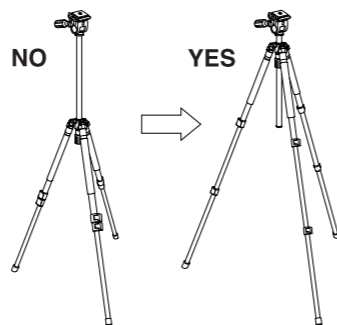


It is easier to extend the tripod legs while you hold the tripod rubber leg tip downward

Operating the center column

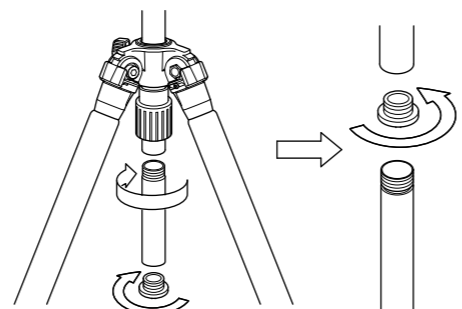
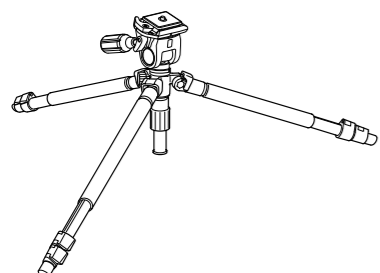


A - Screw-type
Center column stopper is used to lock or unlock center column.
B - Twist-type
Center column locking nut is used to adjust a tension of the movement.
The both of A and B must be locked for fixing center column.



To avoid unnecessary camera vibrations, try to keep the center column height to a minimum.
Also use the larger legs first when extending the legs.

How to get low position shots



Remove the center column base stopper. Then remove the lower part of center column.
Put the center column base stopper on the upper part of center column.

Care of the tripod

- DO NOT apply any grease or oil to this product.
- Clean with a mild detergent and a soft cloth only.
- DO NOT use close to flame. Avoid extreme heat.



Slik corporation reserves the rights to make changes in design and/or improvements on the products without any obligation and advanced notice.

SLIK CORPORATION
853 Kayama, Hidaka City, Saitama 350-1231, Japan Phone 81-42-989-2141, Fax. 81-42-985-0210 ©2010

Printed in Thailand.

SLIK®

PRO 330EZ Tripod series

Operating Instructions

Thank you very much for choosing the SLIK PRO 330EZ Tripod series. The SLIK Corporation has designed your tripod to be a sturdy, rugged, dependable product that will provide you with many years of satisfactory use.

Please take a few moments to read these operating instructions carefully before use so that you can take full advantage of your Tripod's many fine features. Retain this operating instruction sheet in case you might want to refer back to it.

⚠ Caution

This caution icon refers to information pertaining to important safety procedures in preventing injuries, or damages which may occur as a result of mishandling this product.

🚫 Prohibition

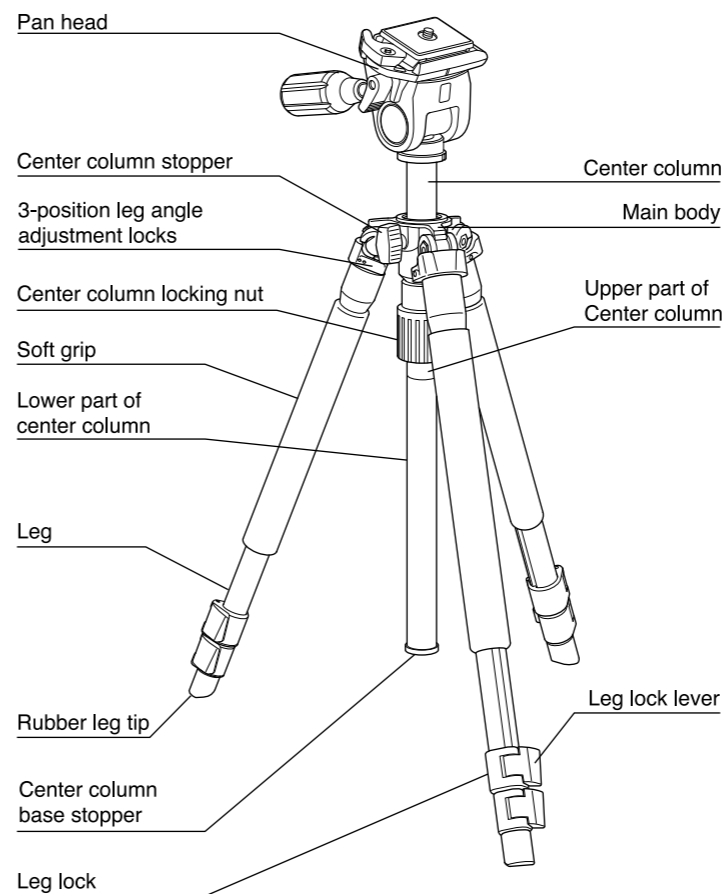
This prohibited icon refers to information pertaining to prohibited contents. Please refer to instructions closely to avoid accidents.

Specification

PRO 330EZ	
Length folded	600mm (23 7/12")
Max. operating height	1,583mm (62 1/4")
Max. center column ext.	350mm (13 3/4")
Weight	1.71kg (3lbs 13oz)
PRO 340EZ	
Length folded	490mm (19 1/4")
Max. operating height	1,431mm (56 2/6")
Max. center column ext.	290mm (11 5/12")
Weight	1.63kg (3lbs 10oz)

K016-1

Components



PRO 330EZ

⚠ Caution

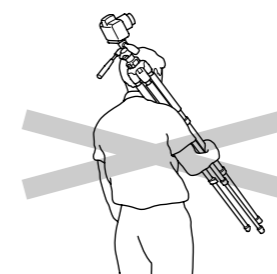
Soft grip is consumable and cannot be used permanently. Please replace it whenever ragged.

Equipment that can be loaded on this tripod

This product has been designed to handle equipment weighing under 2 kgs (4 lbs 8 oz). Do not overload. Some equipments weighing under 2 kgs (4 lbs 8 oz), such as long lenses, may not balance well due to its weight distribution. In such case, please use a larger tripod.

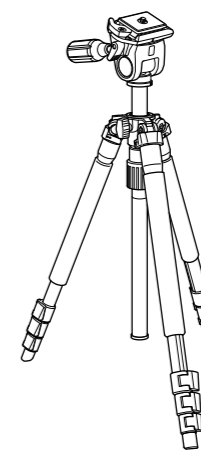
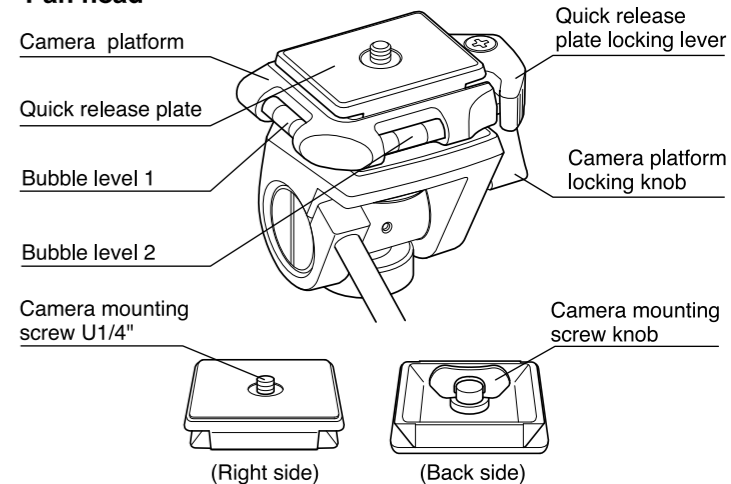
Carrying the tripod

🚫 Prohibition



Carrying a tripod with a camera left on can result in unexpected accidents. We therefore, recommend you to remove your camera while carrying the tripod.

Pan head

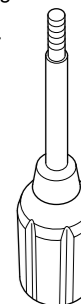


PRO 340EZ

Optional accessory

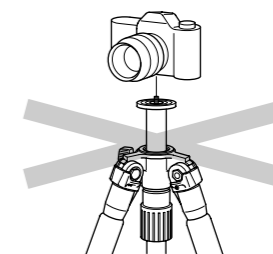
Long Pan Handle
Cat. No. 618-797
Length 7.95in. (202mm)

This accessory pan handle is 2.75in. (70mm) longer than the included pan handle for easier movements with spotting scopes and binoculars.



Pan head mounting post

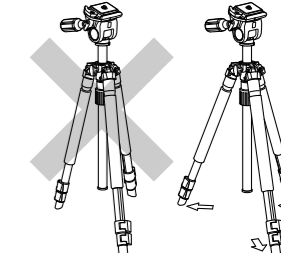
🚫 Prohibition



Do not attach camera directly to the threaded post of the center column. This may damage both camera and tripod.

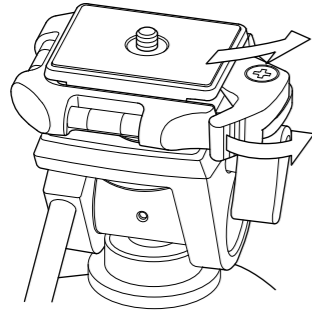
Setting up

⚠ Caution

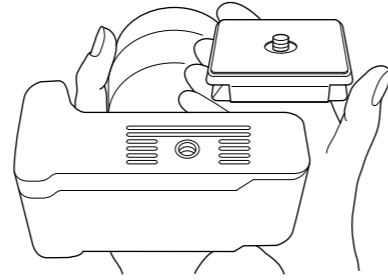


To prevent accidental equipment fall or tripod tipping over making sure all levers, knobs and handles on the tripod are securely tightened, and that all three legs are opened all the way.

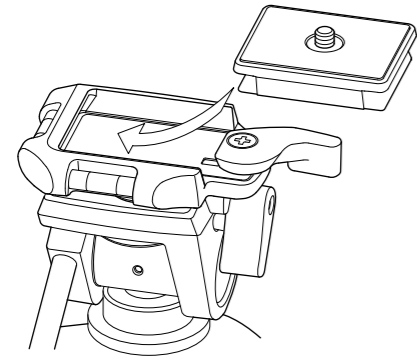
Attaching a camera



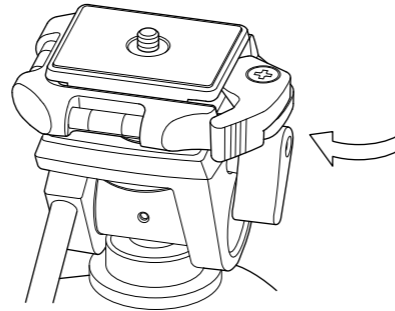
To remove the quick release plate, turn the quick release plate locking lever.
In this case, please do not put the lock lever back by force as it has been stood by the stopper.



Insert the camera mounting screw on the quick release plate in the place of the tripod attachment screw of your camera.
Turn the camera mounting screw knob and fix firmly.

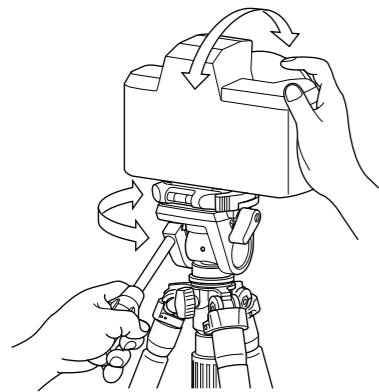


To attach the plate, slide into quick release plate slantways.
It will be closed automatically after attaching.

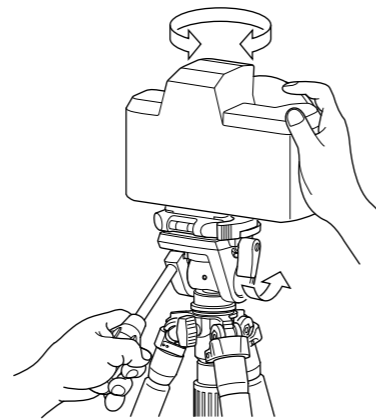


Fasten the plate locking lever on tightly.
It will be certainly fixed.

Using the pan head

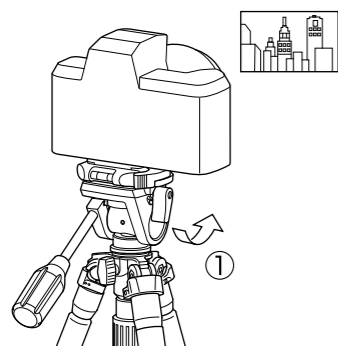


When you unlock the handle, your camera is free to move up and down.
When the pan & tilt handle is unlocked, you can pan & tilt simultaneously.

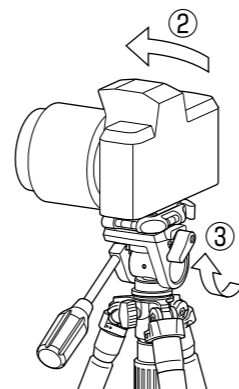


When you unlock the camera platform locking knob, raise the knob to the vertical "release" position. The camera can be free to rotate.

How to get vertical position

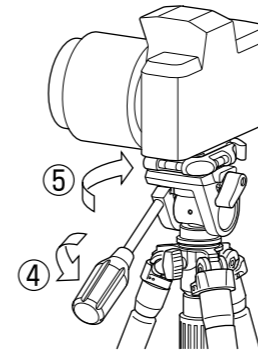


1. Loosen camera platform locking knob.

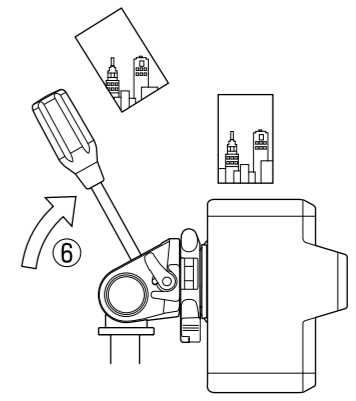


2. Turn your camera to the side.
3. Tighten camera platform locking knob.

How to get vertical position (Continued)

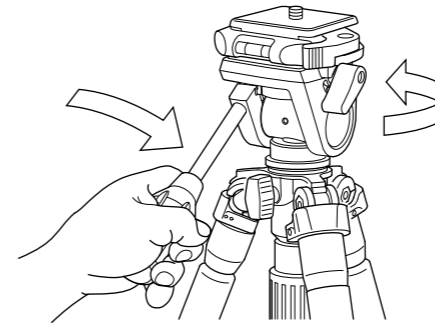


4. Loosen pan & tilt handle for your camera to the front.
5. Turn the whole of pan & tilt handle.

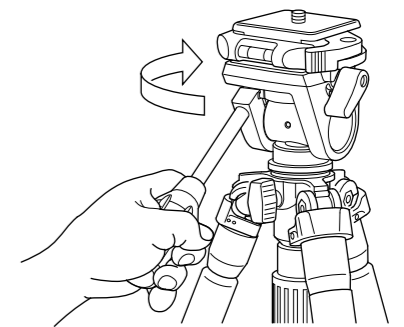


6. Adjust pan & tilt handle to get vertical position.

Removing the head from the center column

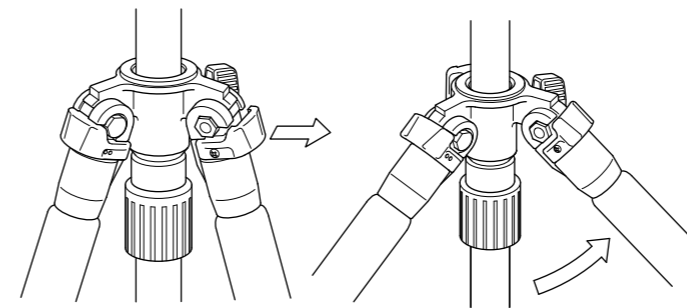


Use the following instructions if you wish to change heads or attach accessories.
Tighten the pan & tilt handle. Turn the pan & tilt handle.
Turn counter-clockwise to loosen.



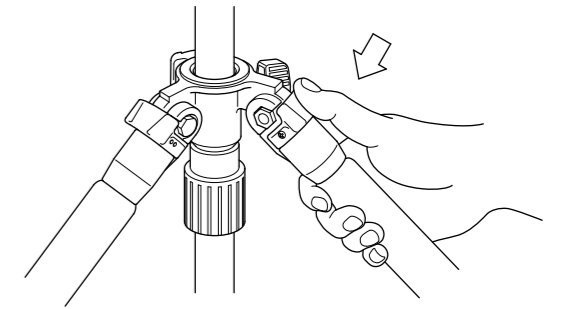
Set the new head or accessory on the tripod's threaded post.
Turn clockwise until it comes to a stop.
Tighten the pan & tilt handle and turn clockwise slightly more.

Three position adjustable legs



To change the angle of each leg, close the leg slightly.
Then pull the 3-position leg angle adjustment locks.
There is a choice of two other angle positions.

⚠ Caution

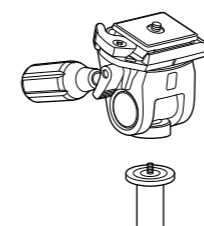


After choosing the desired leg angle, securely push the adjustment lock.

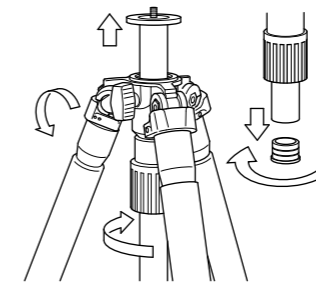
How to get vertical position

Inverting the center column

⚠ Caution

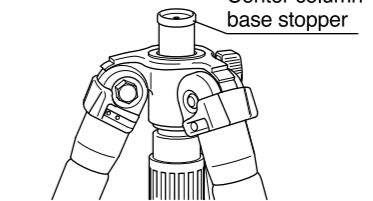


Remove the pan head when inverting or replacing the center column.



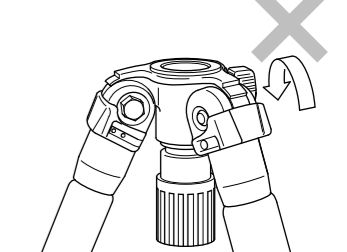
Remove the center column base stopper from the bottom of the center column.
Loosen the center column stopper and the locking collar, and then pull out the center column.

⚠ Caution



Insert the new replacement center column through the top, then tighten the locking collar.
Always be sure to return the center column base stopper back on the bottom of the center column.
This prevents the center column pulled out accidentally.

⊘ Prohibition



Please do not turn the center column stopper without a center column.
The internal parts may be damaged.