



MIRAGE Professional

Quick Start Guide



- +86-755-8613-1869
- www.smd-uav.com
- sales00@smd-uav.com
- info@smd-uav.com

Zhongyuntai Technology
Industry Park, Tangtou RD.1,
Shiyan Street, Bao'an District, SZ China



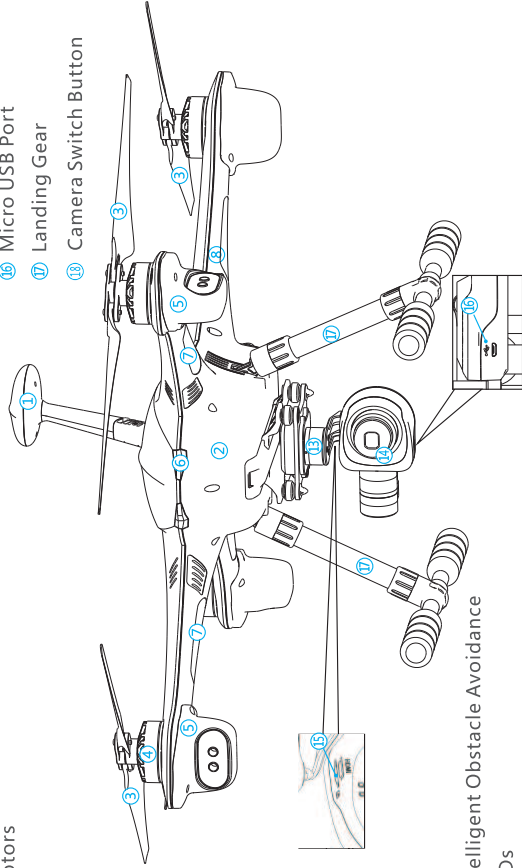
Contact Us



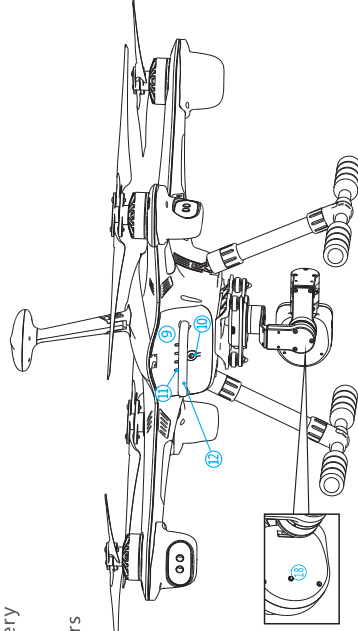
Facebook

Aircraft Diagram

- 1 GPS Antennas
- 2 Frame
- 3 Propellers
- 4 Motors
- 5 3-Axis Gimbal
- 6 Optical Zoom Camera
- 7 Camera Micro-SD Card Slot
- 8 Micro USB Port
- 9 Landing Gear
- 10 Camera Switch Button

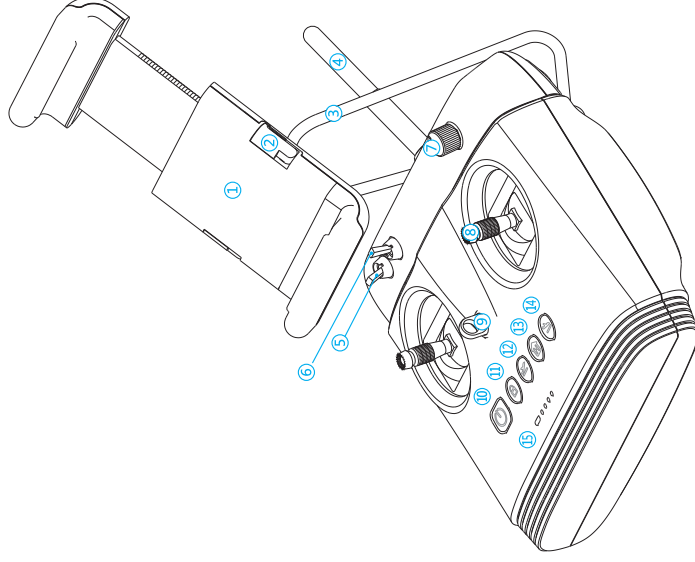


- 5 Intelligent Obstacle Avoidance
- 6 LEDs
- 7 Front LEDs
- 8 Signal LEDs
- 9 Intelligent Flight Battery
- 10 Power Button
- 11 Battery Level Indicators
- 12 Battery Handle Bar

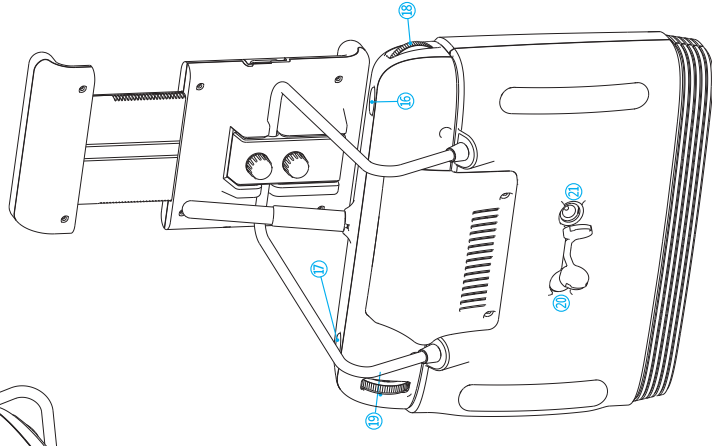


Remote Controller

- 1 Mobile Device Holder
- 2 Small Device Positioning Tabs (for mobile phones)
- 3 Handle Bar
- 4 Antennas
- 5 Landing Gear Control Sticks
- 6 Mode Switch (Obstacle Avoidance + GPS/ Position Hold/Attitude Hold/)
- 7 Optical Zoom Dial
- 8 Control Stick
- 9 Sticks Suspension
- 10 Power Button
- 11 Lock/Unlock Button
- 12 One Key Take off Button
- 13 One Key Go Home Button
- 14 One Key Landing Button
- 15 Battery Level / Status Indicators

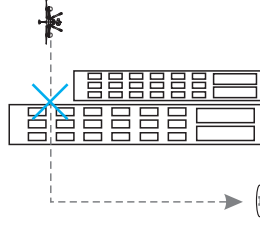
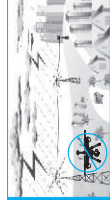


- 16 Video Recording Button
- 17 Shutter Button
- 18 Gimbal Dial (Turn Left / Turn Right)
- 19 Gimbal Dial (Turn Up / Turn Down)
- 20 Simulate Port
- 21 Power Port



SMD encourages you to enjoy flying your Mirage in a safe, responsible, and smart way. To do this, it is important to understand some basic flight guidelines, both for your protection and for the safety of those around you.

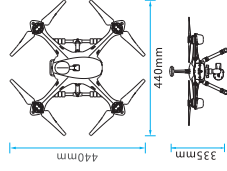
1. Keep your aircraft in sight at all times, and avoid flying behind buildings or other obstacles that may block your view.
2. Even when using Mirage autopilot functions such as Auto-Take off, Auto-Landing, and Auto-Return to Home, always keep your hands on the Remote Controller and maintain control of your aircraft when it is in flight.
3. For the safety of full-sized aircraft and other air traffic, always fly at altitudes less than 427 feet (130 meters) above ground level, or in line with your local laws and regulations.
4. Always fly in locations that are free and clear of buildings, trees, power lines, and other obstacles. Do not fly above or near people or animals.
- **Environmental Considerations**
 1. Avoid electromagnetic interference by avoiding areas with high levels of electromagnetic, including mobile phone base stations, radio transmission towers, high-voltage power lines or Wi-Fi hotspots.
 2. Only fly in open areas. Tall buildings and steel structures may affect the accuracy of the on-board compass and GPS signal.
 3. Do not fly in severe weather conditions. This includes high winds (speeds off 22 mph or 10m/s or more), snow, rain, and fog.
 4. Do not fly at polar latitudes and 14,760 feet (4.5km) or more above sea level.
 5. Do not fly in the airport and laws or regulations limited areas.



- While returning to the Home Point Smartly, tall buildings may affect the Remote Controller's signal. The Failsafe Return to Home procedure will be triggered if the signal is lost. Be sure to fly higher than any nearby buildings to avoid crashing.



• Aircraft



- Max take off weight : 2500 g
- Standard Carrying Weight: 350 g
- Max. Ascent Speed: 3 m/s
- Max. Descent Speed: 1.2m/s
- Max. Speed 10m/s: 10 m/s (ATTI mode, no wind) 7m/s(GPS Mode)
- Max Altitude Above Sea Level: 4500 m
- Max Wind Resistance: 10m/s
- Climate Condition: Sunny
- Operating Temperature Range: 0 °C to 40 °C
- GPS: GPS/GLONASS
- Hover Accuracy: Vertical +/- 20 cm Horizontal +/- 1.5 m
- Flight Time: Approximately 30 min

• Power

- Motor: Brushless 4108 KV 560
- ESC: FOC 30A
- Rotor Size: 1.4in. x4.5

• Gimbal

- Controllable Range: Pitch -195°to +135°,Yaw -90° to +90°
- Stabilization: 3-axis (pitch, roll, yaw)

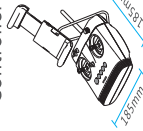
- Intelligent Obstacle Avoidance
- Detection Range: About -5-8m outdoor with GPS, about 2m indoor w/o GPS
- Min Obstacle Range: 2cm

• Camera

- Sensor: Sony EXMOR 1/2.3 in. CMOS
- Effective pixels: 16 Magapixel
- Lens: 5 ~ 25mm / 28 ~ 140mm (Full - frame equivalent focal length) f/3.2 ~ 6.5
- Optical Zoom: 5 times
- ISO fixed: 200
- Electronic Shutter Speed: 1s ~ 1/240s
- Image Size: 16M (4608×3456) 12M(4000×3000) 8M (3264×2448) 5M (2592×1944)
- Still Photography Modes: Single shot / Burst Shooting: 3 / 5 frames
- Video Recording Modes: 1080P@30FPS/720P@120FPS/720P@60FPS
- Max. Bitrate of Video Storage: 30 Mbps
- Supported File Formats FAT 32 Photo: JPEG Video: MOV
- Supported SD Card Types: TF card, Max. capacity: 64GB
- Operating Temperature Range: 0°C ~40°C
- White Balance: Automatic / Sunlight / Cloudy / Fluorescence Lamp / Incandescence Lamp

• Remote Controller

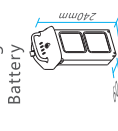
- Channels: 12
- Operating Frequency: 2.4055 GHz ~ 2.475 GHz
- Max Transmission Distance: 1000 m
- Operating Temperature Range: 0 °C ~ 40 °C
- Battery: 5000 mAh, 2S Lipo
- Mobile Device Holder: Tablets and Smart phone
- Transmitter Power(EIRP): 20 dbm
- Working Current / Voltage: 1.1 A / 7.2 V ~ 8.4 V
- Low Voltage Alarm: <6.8V
- Built-in Image Mode



• Remote Controller Charger

- Rated Power: 100 W

• Intelligent Flight Battery



- Capacity: 6750 mAh; 10000mAh(Optional)
- Voltage: 14.8V
- Battery Type: 4S Li-Po, 5C, 6750mAh; 5C, 10000mAh(Optional)
- Energy: 99.9wh (6750mAh)/148wh (10000mAh)
- Net Weight: 722 g (6750mAh) /945 g (10000mAh)
- Operating Temperature Range: 0°C ~ 40°C
- Max. Charging Power: 514W (6750mAh) /740 W (10000mAh)
- Input Voltage: 100 V ~ 240V
- Rated Power: 50 W

• Intelligent Battery Charger

- Rated Power: 50 W