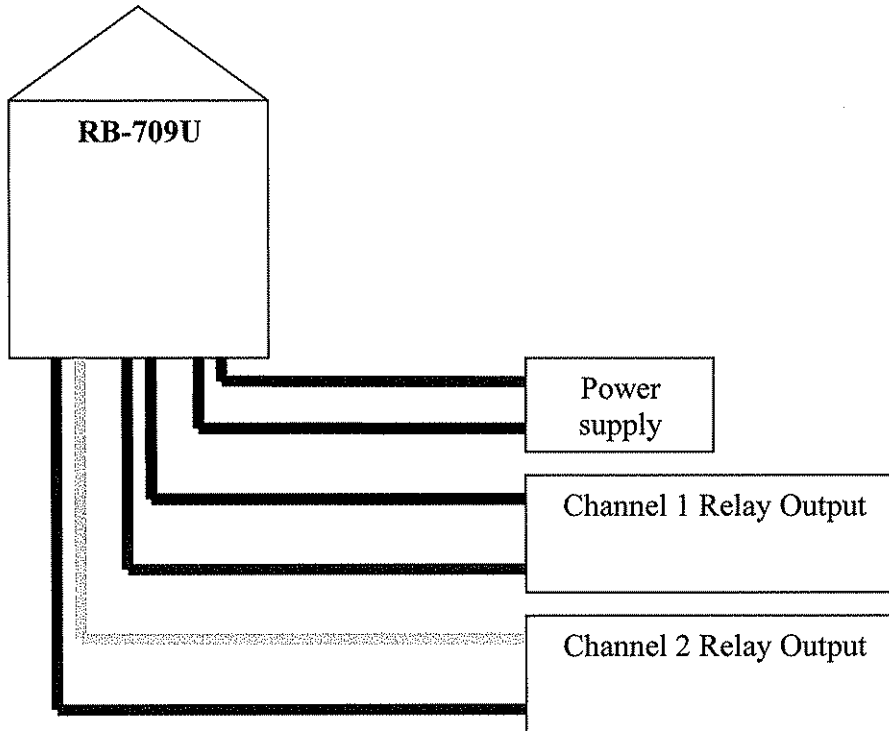


## GTO PRO Model RB-709U Relay Outputs Universal Receiver Instruction Manual

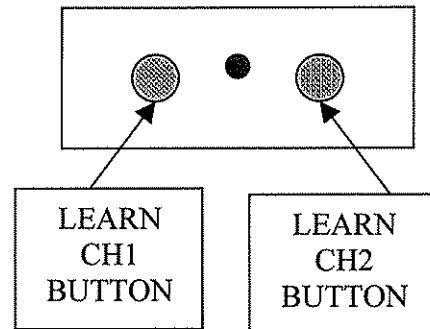
### 1. Connections:



### 2. Operation:

Learning transmitter(s) with RB-709U receiver:

- Press and hold the transmitter's button to be learned.
- Press the 'LEARN CH1' (or 'LEARN CH2') button on the RB-709U receiver for 1-2 seconds or until the red LED turn on then release the button.
- Note: When the correct code is received and the corresponding relay output is activated, the red LED will turn on.



**GTO, Inc. Part Number: RB709-U**

GTO, Inc. narrow band receiver models RB709-U is designed to be used with all GTO/PRO and Mighty Mule brand gate opener products together with your GTO and Mighty Mule narrow band transmitters. If you have an older model transmitter, or another brand, please contact our Customer Service Department at 1-800-543-4283.

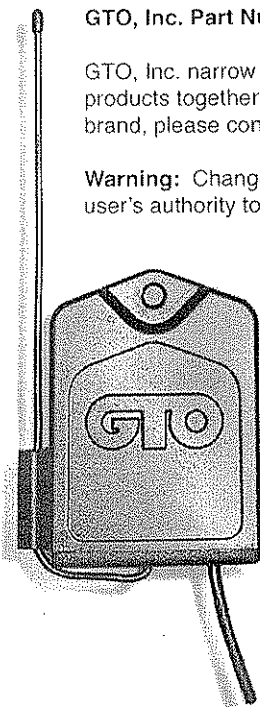
**Warning:** Changes or modifications to this unit not expressly approved by the party responsible for compliance could void the user's authority to operate the equipment.

**NOTE:** This equipment has been tested and found to comply with the limits for a Class B digital device, pursuant to Part 15 of the FCC Rules. These limits are designed to provide reasonable protection against harmful interference in a residential installation. This equipment generates, uses and can radiate radio frequency energy and, if not installed and used in accordance with the instructions, may cause harmful interference to radio communications.

However, there is no guarantee that interference will not occur in a particular installation. If this equipment does cause harmful interference to radio or television reception, which can be determined by turning the equipment off and on, the user is encouraged to try to correct the interference by one or more of the following measures:

- Reorient or relocate the receiving antenna.
- Increase the separation between the equipment and receiver.
- Connect the equipment into an outlet on a circuit different from that to which the receiver is connected.
- Consult the dealer or an experienced radio/TV technician for help.

GTO, Inc. • 3121 Hartsfield Road • Tallahassee, FL 32303  
1-800-543-4283 • [www.gtoinc.com](http://www.gtoinc.com) <<http://www.gtoinc.com/>>



Made in China

**GTO, Inc. Part Number: RB709-U**

GTO, Inc. narrow band receiver models RB709-U is designed to be used with all GTO/PRO and Mighty Mule brand gate opener products together with your GTO and Mighty Mule narrow band transmitters. If you have an older model transmitter, or another brand, please contact our Customer Service Department at 1-800-543-4283.

**Warning:** Changes or modifications to this unit not expressly approved by the party responsible for compliance could void the user's authority to operate the equipment.

**NOTE:** This equipment has been tested and found to comply with the limits for a Class B digital device, pursuant to Part 15 of the FCC Rules. These limits are designed to provide reasonable protection against harmful interference in a residential installation. This equipment generates, uses and can radiate radio frequency energy and, if not installed and used in accordance with the instructions, may cause harmful interference to radio communications.

However, there is no guarantee that interference will not occur in a particular installation. If this equipment does cause harmful interference to radio or television reception, which can be determined by turning the equipment off and on, the user is encouraged to try to correct the interference by one or more of the following measures:

- Reorient or relocate the receiving antenna.
- Increase the separation between the equipment and receiver.
- Connect the equipment into an outlet on a circuit different from that to which the receiver is connected.
- Consult the dealer or an experienced radio/TV technician for help.

GTO, Inc. • 3121 Hartsfield Road • Tallahassee, FL 32303  
1-800-543-4283 • [www.gtoinc.com](http://www.gtoinc.com) <<http://www.gtoinc.com/>>



Made in China