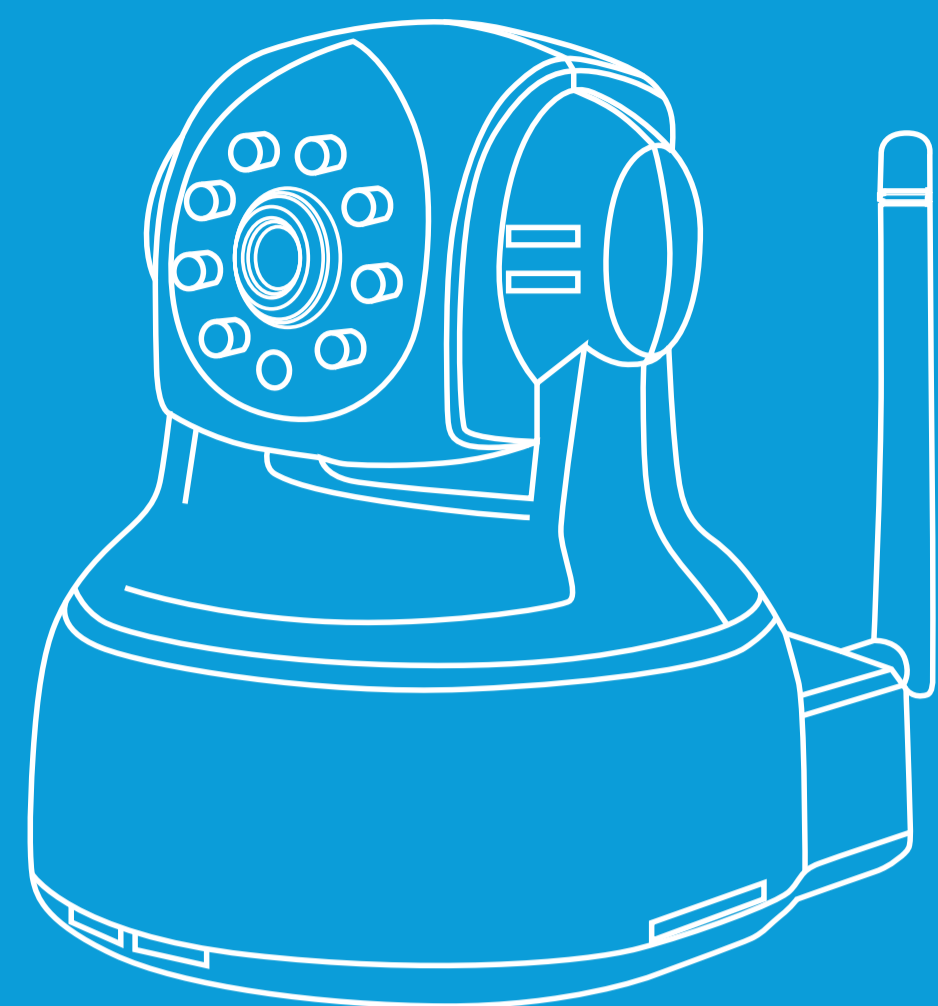
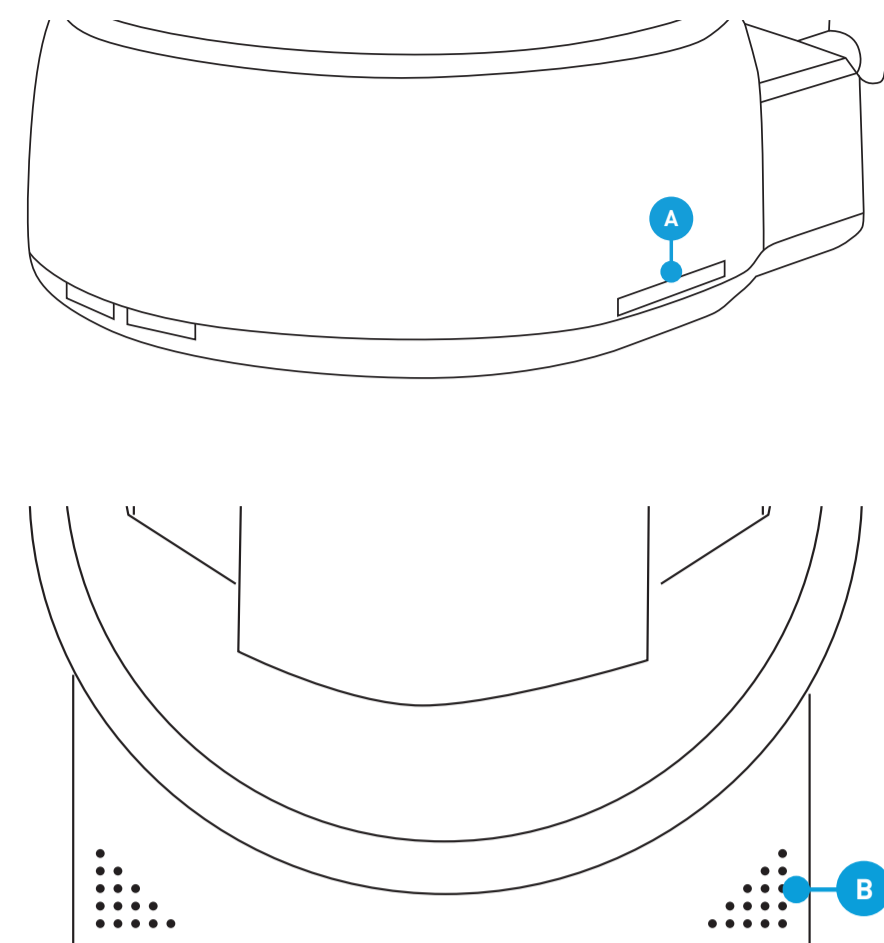


Welcome! Lets get started.



QH\_WIFIPTX290514E | © Swann 2014

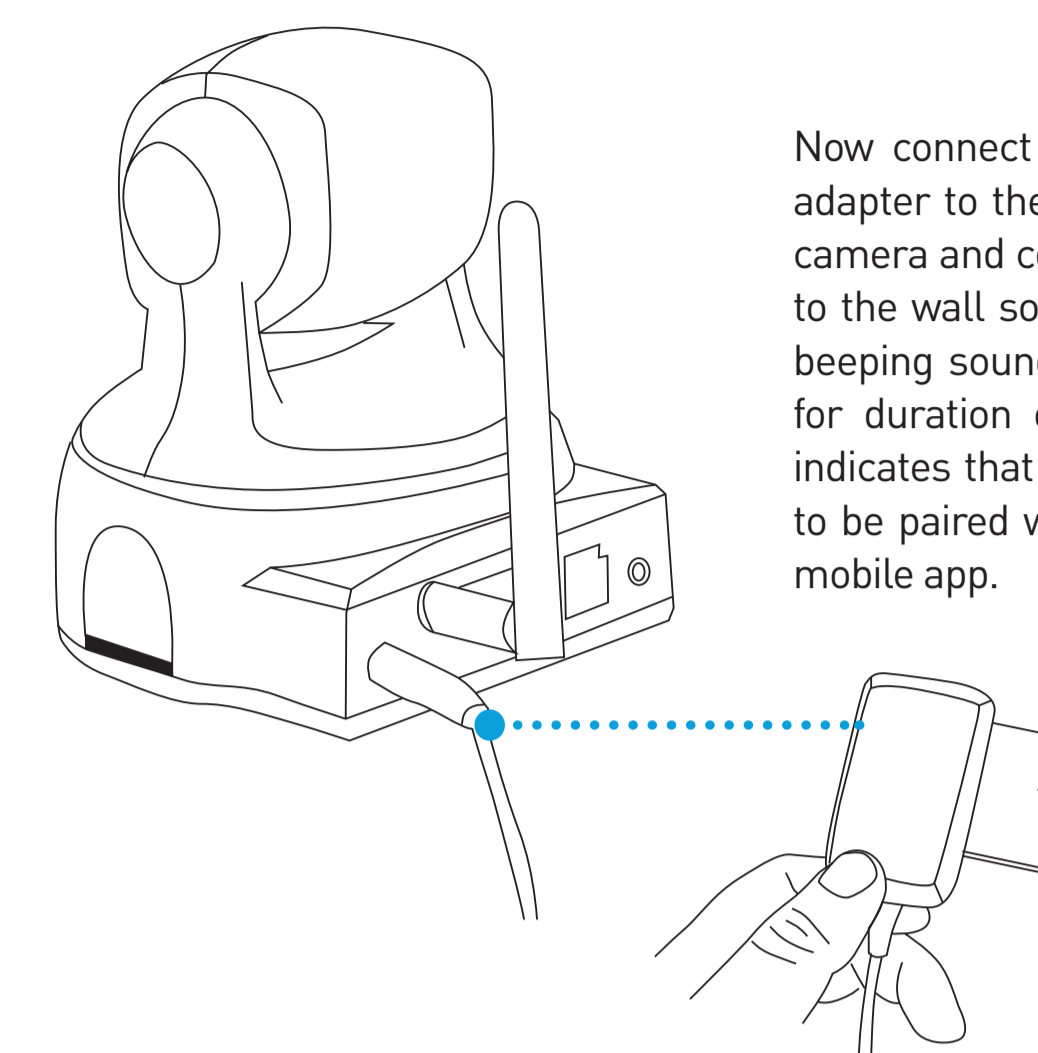


**A) SD Card Slot** - This particular slot is reserved for future updates when they are available.

**B) Speaker** - The various alerts will be heard from here.

## 2

### Connecting the Power Adapter



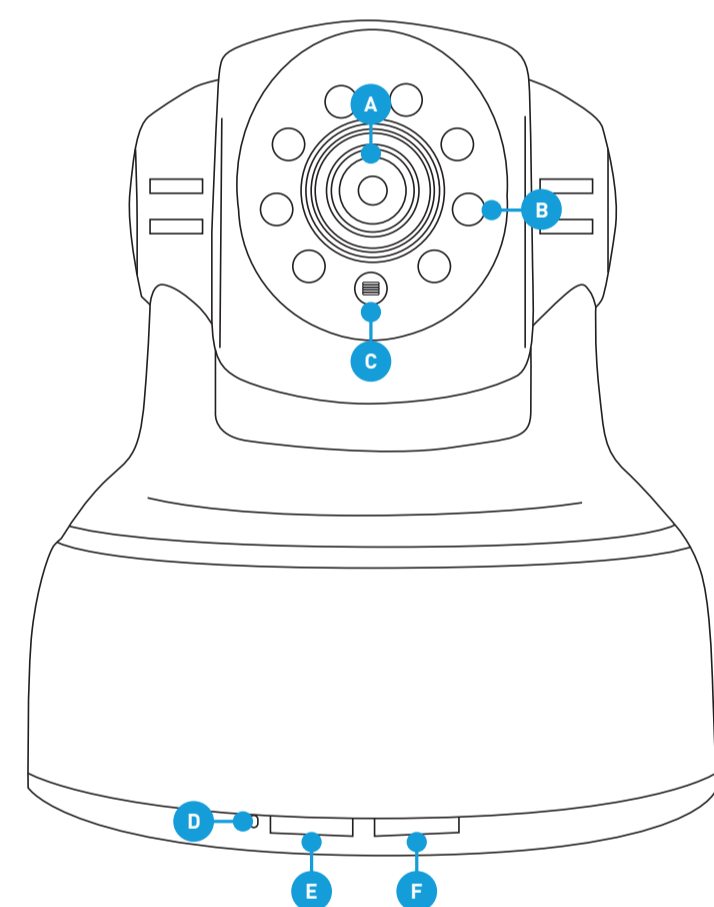
Now connect the supplied power adapter to the power input on the camera and connect the other end to the wall socket. You will hear a beeping sound every two seconds for duration of one minute. This indicates that the camera is ready to be paired with the SwannCloud mobile app.

4

7

### Getting to know your Camera

Congratulations on the purchase of your SwannCloud camera. This quick start guide will assist you on getting your camera up and running as soon as possible. We recommend that you connect everything and give it a try before you do a permanent installation. When you reach the end of this quick start guide, have a look at the instructions for downloading and configuring the SwannCloud mobile app.



**A) Focus** - Adjust the lens by turning clockwise or anti-clockwise to adjust the camera's focus.

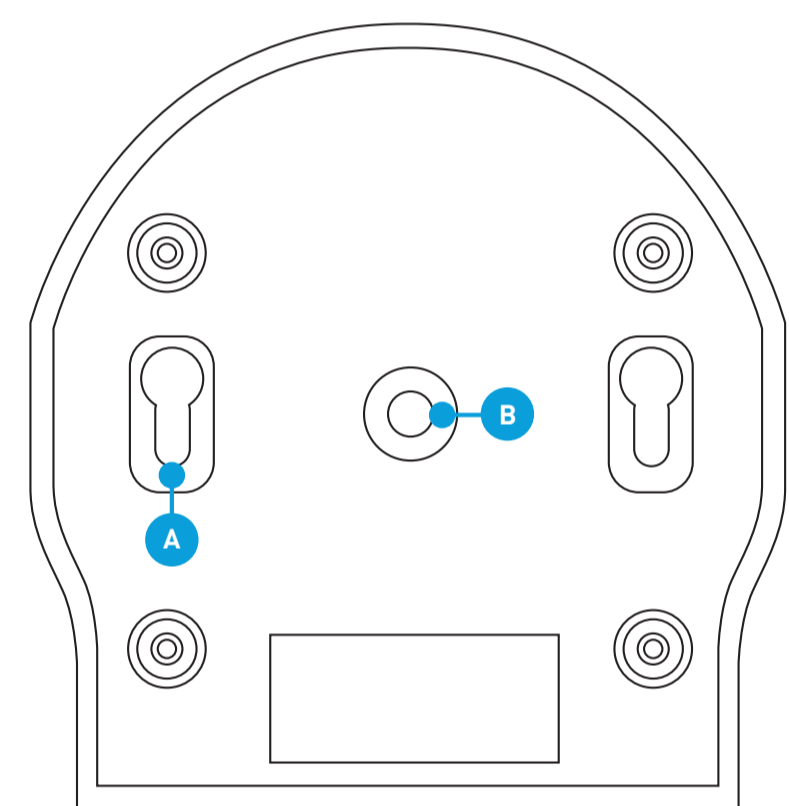
**B) IR (Infrared) LEDs** - The camera will use these in low-light conditions to generate a black and white image, even in total darkness.

**C) Light Sensor** - Detects the amount of light available and turns on the IR LEDs when necessary.

**D) Microphone** - Allows the camera to hear nearby sounds, and stream them with the video.

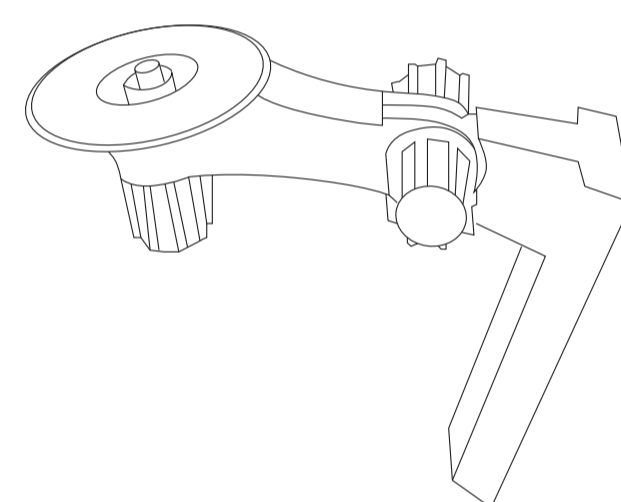
**E) Power LED** - You will see a red LED when the camera is turned on.

**F) Network LED** - You will see a blue LED when the camera is turned on.



**A) Screw Mounts** - The screw mounts allow you to mount the camera onto a wall or ceiling.

**B) Bracket Mount** - The provided mounting bracket (shown below) connects here.



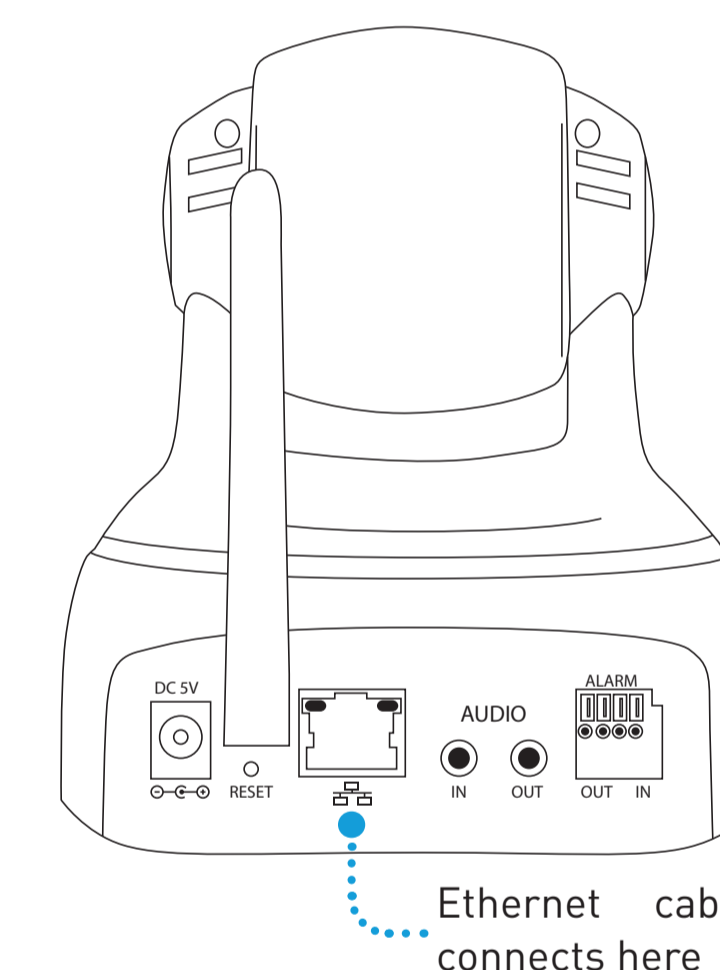
The SwannCloud camera has the ability to be mounted in a number of different orientations. Using either the screw mounts or the provided mounting bracket, you can mount the camera on a flat surface, upside down on a ceiling or roof and on a wall.

5

## 3

### Network LAN Connection (optional)

If you would prefer to connect the camera directly to your home network, you can do so using the supplied Ethernet cable. The main advantage of a LAN connection is that you don't get disconnections or dropouts as you would with a wireless connection.



Ethernet cable connects here

8

**A) Wi-Fi Antenna** - The included Wi-Fi antenna connects here.

**B) Power Socket** - Connect the power adapter here.

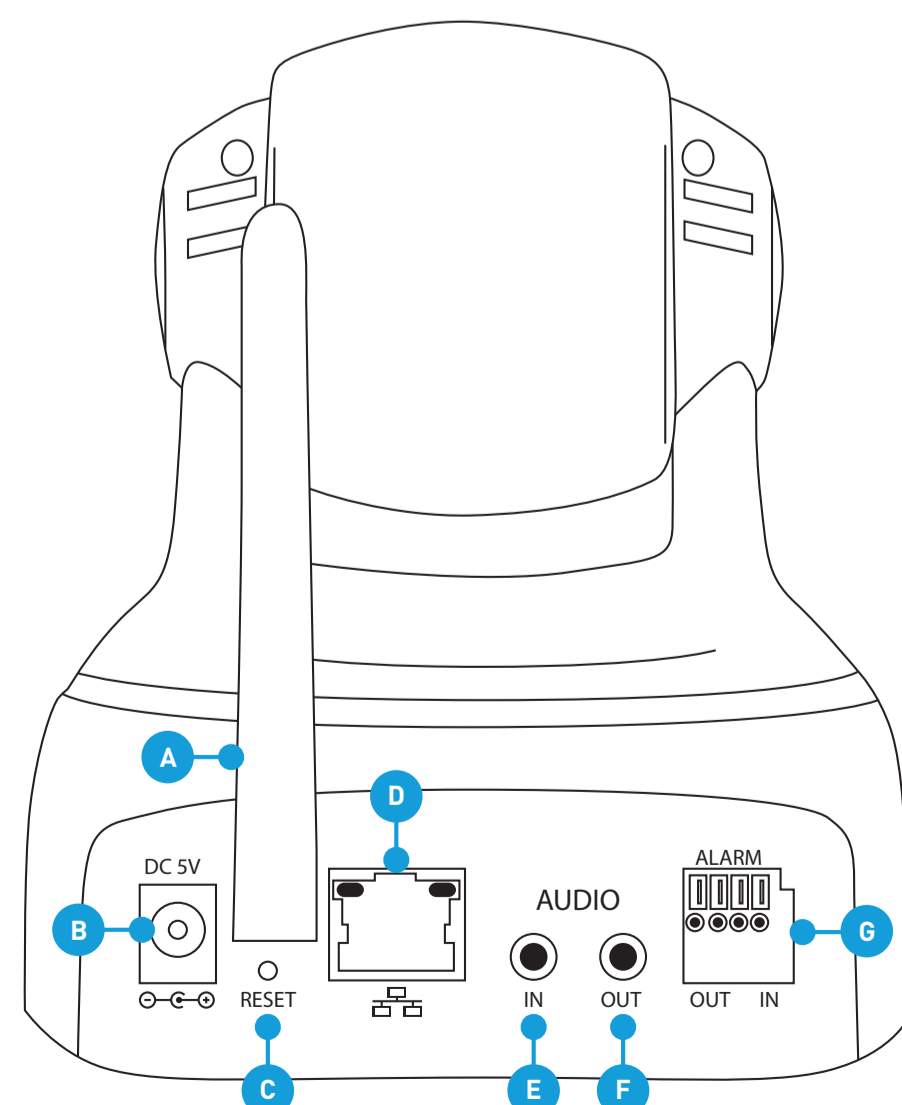
**C) Reset Button** - When pressed and held when the power is disconnected and reconnected, all settings will revert to the factory defaults.

**D) RJ45 (Ethernet)** - For a wired connection, connect this to a spare port on your router using the supplied Ethernet cable.

**E) Audio In** - Allows connection of an external microphone, just in case you want to monitor audio from a different location to the camera.

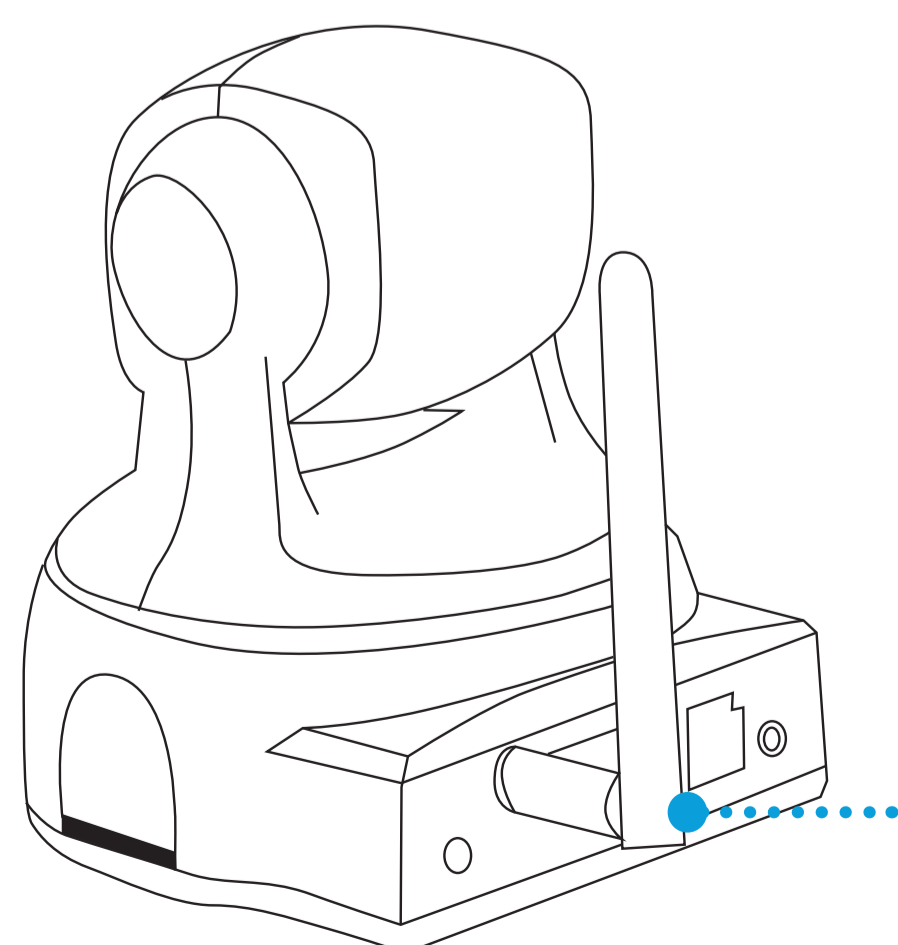
**F) Audio Out** - Allows connection of speakers for amplified audio output.

**G) Alarm I/O Block** - For connecting external alarms and sensors.



## 1

### Connecting the Wi-Fi Antenna



First thing to do is to screw the provided Wi-Fi antenna into the antenna socket located on the camera. Use a clockwise motion to connect. Make sure the antenna is connected firmly but not too tight. It is recommended to leave the antenna in a vertical position for best reception.

6

### Helpdesk/Technical Support

Technical Support E-mail: [tech@swann.com](mailto:tech@swann.com)

Telephone Helpdesk

USA Toll Free 1-800-627-2799

USA Parts & Warranty 1-800-627-2799 (M-F, 9am-5pm US PT)

AUSTRALIA 1300 138 324

NEW ZEALAND Toll Free 0800 479 266

UK 0203 027 0979



**FCC Caution:** Any changes or modifications not expressly approved by the party responsible for compliance could void the user's authority to operate this equipment.

This device complies with Part 15 of the FCC Rules. Operation is subject to the following two conditions: (1) This device may not cause harmful interference, and (2) this device must accept any interference received, including interference that may cause undesired operation. This device and its antenna(s) must not be co-located or operating in conjunction with any other antenna or transmitter.

This equipment should be installed and operated with minimum distance 20cm between the radiator and your body.

NOTE: This equipment has been tested and found to comply with the limits for a Class B digital device, pursuant to Part 15 of the FCC Rules.

These limits are designed to provide reasonable protection against harmful interference in a residential installation. This equipment generates, uses and can radiate radio frequency energy and, if not installed and used in accordance with the instructions, may cause harmful interference to radio communications.

However, there is no guarantee that interference will not occur in a particular installation.

If this equipment does cause harmful interference to radio or television reception, which can be determined by turning the equipment off and on, the user is encouraged to try to correct the interference by one or more of the following measures:

- Reorient or relocate the receiving antenna.
- Increase the separation between the equipment and receiver.
- Connect the equipment into an outlet on a circuit different from that to which the receiver is connected.
- Consult the dealer or an experienced radio/TV technician for help.