

Quick Start Guide

INSTEON® Hub

Model: 2242-422, 2242-442, 2242-522

Good Choice 😊

Congratulations on purchasing the INSTEON Hub! You're only minutes away from setting up the industry gold standard in home control. This tabletop device lets you remotely control your INSTEON devices from your iOS/Android smartphone or tablet via the free INSTEON app, as well as organize scenes, set timers, view camera feeds and receive email/SMS alerts.

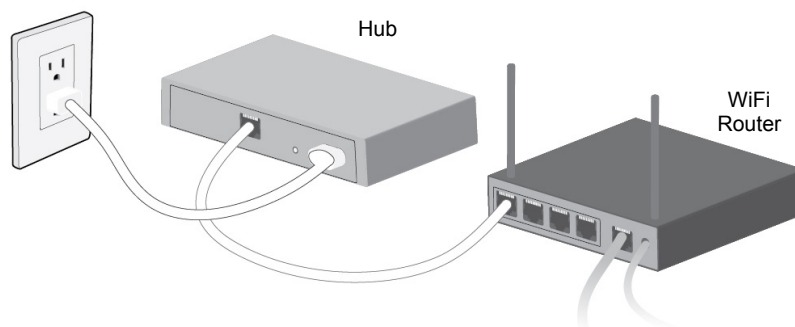


Download INSTEON App

To download the INSTEON app, visit your favorite app/marketplace and search "INSTEON." The INSTEON app is completely free—that means no monthly fees—and makes setting up and configuring INSTEON Hub super simple.

Install INSTEON Hub

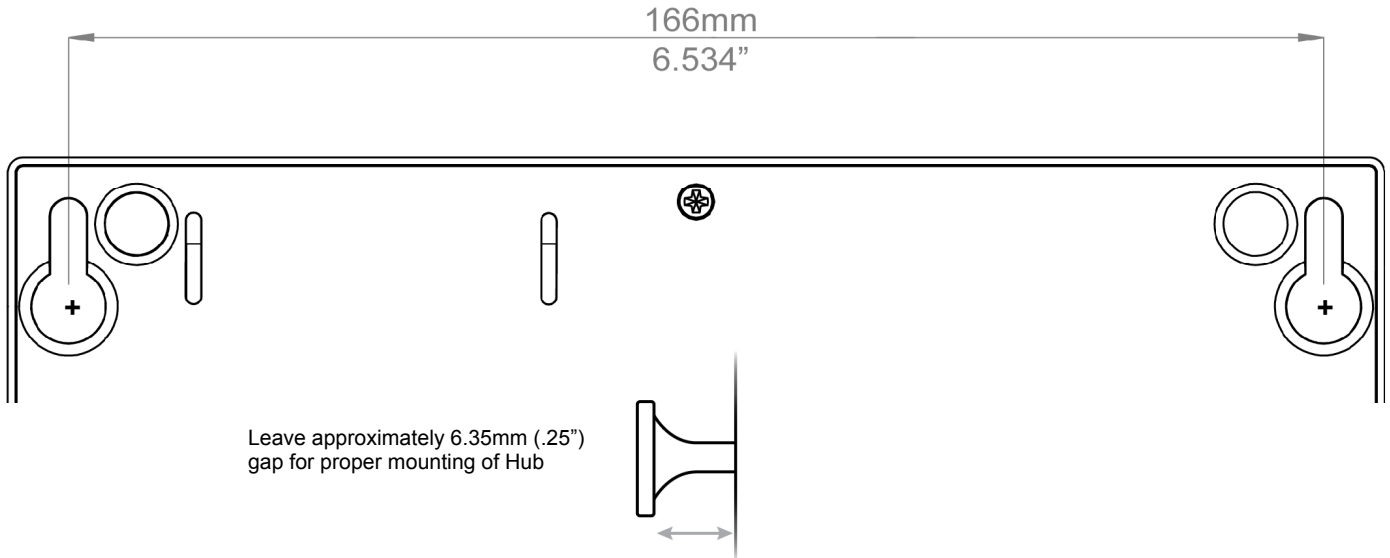
- 1) Connect Hub to router using *only* the included Ethernet cable
- 2) Connect Hub to power (outlet, not power strip)
- 3) Place Hub on desk (or shelf, the higher the better)
- 4) Launch the INSTEON app on your smartphone or tablet and follow the onscreen instructions.¹



¹ Note: If your router is not UPnP compliant, you will need to manually configure port forwarding to access the INSTEON Hub from outside your home.
2242-422, 2242-442, 2242-522 Rev. 9/25/2012 10:33 AM / See Owner's Manual for Warranty Information.
Protected under U.S. and foreign patents (see www.insteon.com)
© Copyright 2012 INSTEON, 16542 Millikan Ave., Irvine, CA 92606, 800-762-7845

Mount Hub on Wall

To free up shelf or desk space or to achieve maximum communication range, hang INSTEON Hub high on a wall just like a picture. Simply screw two screws (we recommend using #6 drywall screws) through the marks in the drawing below (leaving head of screw about 1/4" from the wall) and hang Hub on the screws (you can then tear this sheet off).



Support

For the complete Owner's Manual and current Quick Start Guides, visit: <http://www.insteon.com/support>
Call: INSTEON Support Line at 800-762-7845

Certifications

Certification

This product has been thoroughly tested by Intertek ETL, a nationally recognized independent third-party testing laboratory. The North American ETL Listed mark signifies that the device has been tested to and has met the requirements of a widely recognized consensus of U.S. and Canadian device safety standards, that the manufacturing site has been audited, and that the manufacturer has agreed to a program of quarterly factory follow-up inspections to verify continued conformance.

FCC and Industry Canada Compliance Statement

This device complies with FCC Rules Part 15 and Industry Canada RSS-210 Operation is subject to the following two conditions:

- (1) This device may not cause harmful interference, and
- (2) This device must accept any interference, including interference that may cause undesired operation of the device.

Le présent appareil est conforme aux CNR d'Industrie Canada applicables aux appareils radio exempts de licence. L'exploitation est autorisée aux deux conditions suivantes:

- (1) l'appareil ne doit pas produire de brouillage, et
- (2) l'utilisateur de l'appareil doit accepter tout brouillage radioélectrique subi, même si le brouillage est susceptible d'en compromettre le fonctionnement.

The digital circuitry of this device has been tested and found to comply with the limits for a Class B digital device, pursuant to Part 15 of the FCC Rules. These limits are designed to provide reasonable protection against harmful interference in residential installations. This equipment generates, uses, and can radiate radio frequency energy and, if not installed and used in accordance with the instructions, may cause harmful interference to radio and television reception. However, there is no guarantee that interference will not occur in a particular installation. If this device does cause such interference, which can be verified by turning the device off and on, the user is encouraged to eliminate the interference by one or more of the following measures:

- Re-orient or relocate the receiving antenna of the device experiencing the interference
- Increase the distance between this device and the receiver
- Connect the device to an AC outlet on a circuit different from the one that supplies power to the receiver
- Consult the dealer or an experienced radio/TV technician

WARNING: Changes or modifications to this device not expressly approved by the party responsible for compliance could void the user's authority to operate the equipment.

ETL/UL Warning (Safety Warning)

CAUTION: To reduce the risk of overheating and possible damage to other equipment, do not install this device to control a receptacle, a motor-operated appliance, a fluorescent lighting fixture, or a transformer-supplied appliance.

Gradateurs commandant une lampe à filament de tungstène – afin de réduire le risque de surchauffe et la possibilité d'endommagement d'autres matériels, ne pas installer pour commander une prise, un appareil à moteur, une lampe fluorescente ou un appareil alimenté par un transformateur.

2242-422, 2242-442, 2242-522 Rev. 9/25/2012 10:33 AM / See Owner's Manual for Warranty Information.

Protected under U.S. and foreign patents (see www.insteon.com)

© Copyright 2012 INSTEON, 16542 Millikan Ave., Irvine, CA 92606, 800-762-7845

INSTEON®