

Doorbell & Telephone Ring Detector



FEATURES:

Doorbell

- Detects Doorbell Activation Current
- Inputs for Two Separate Pushbutton Locations
- No Interference With Lighted Pushbuttons
- Produces an Open Collector Output
- Powered by the Doorbell Transformer

Telephone

- Detects Telephone Ringing Voltage
- Provides an Open Collector Output that follows the ringing pattern

- Lifetime Limited Warranty, call or visit our website for details

SPECIFICATIONS:

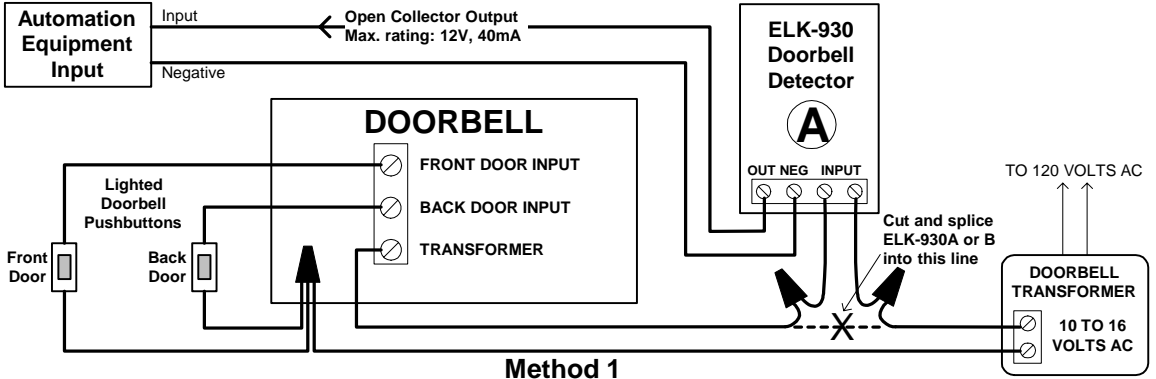
- Max Input on Doorbell Boards: 24 Volts A.C.
- Max Output : 40mA @ 12 Volts D.C.
- Doorbell Detection Current: 900mA min.
- Total Dimensions: 3.4" x 2.75" x .625"

INSTALLATION

The **ELK-930 doorbell detector** monitors the current draw of a doorbell and produces an open collector output when the pushbutton is pressed and the doorbell draws 900mA or more. This open collector output can be used to trigger an automation controller input that utilizes high to low switching (pull to ground) for activation. There are two basic installation methods:

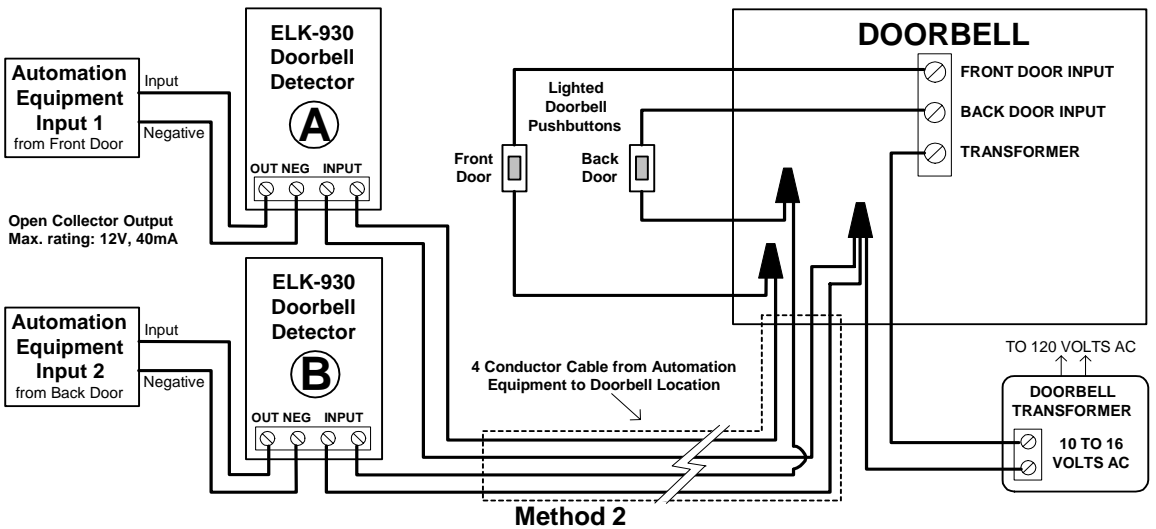
Method 1 requires only 1 of the ELK-930 doorbell detectors and free access to the wires leading from the doorbell transformer. The ELK-930 will activate when the doorbell rings, regardless of a single pushbutton or two (front door, back door) pushbuttons.

1. Mount the ELK-930 at any convenient location along the path of the two wires leading from the transformer to the doorbell.
2. Cut one of the two transformer wires. Strip the ends and place one under each of the doorbell detector INPUT terminals.
3. Run a two conductor wire from the doorbell detector output terminals to the automation controller or device to be activated.
4. Connect one wire from the "NEG" terminal to a common NEG terminal of the controller. Connect the other wire from the "OUT" terminal to one of the input zones on the controller.



Method 2 requires both ELK-930 doorbell detectors and free access to both of the pushbuttons wires. Detector A will activate when the front door pushbutton is pressed and Detector B will activate when the back door pushbutton is pressed.

1. Mount the ELK-930 near the Automation Equipment.
2. Run a four conductor wire to the doorbell location.
3. Connect one pair of the four conductor to the INPUT terminals on Detector A and the other pair to the INPUT terminals on Detector B. At the doorbell location splice one pair of the four conductor in series between the front door wire and the transformer common. Splice the other pair between the back door wire and the transformer common.
4. For each doorbell detector connect one wire from the "NEG" terminal to a common NEG terminal of the controller. Connect the other wire from the "OUT" terminal to one of the input zones on the controller.



The **ELK-930 telephone ring detector** monitors the voltage on the telephone line and produces an open collector output (pull to ground) when the telephone ringing voltage is approximately 50 Volts or greater. The output follows the ringing pattern.

