

DWA214S

smeg freestanding/built-in dishwasher



ALSO AVAILABLE IN WHITE: DWA214W

EAN	8017709183905
size	598mmW x 850mmH x 595mmD
capacity	14 placesettings
finish	silver
programs	five — soak, normal ECO, ECO, intensive 65°, super
baskets	grey upper: 3-level adjustment, EasyGlide lower: single tilting rack
wash system	orbital ceiling spray upper spray arm six wash directions
wash temperatures	45,50,65,70°C
water connection	single, cold/hot water max 60°C
timer	3-6-9-12 hour delay timer with auto soak
filtration	5-stage water filtration system
drying	natural condenser
safety	TOTAL ACQUASTOP LED on/off light end-cycle acoustic indicator self-balancing hinges
noise	49 dBA
water	11.3 litres
power	1.9 kWh, 10 amps 230-240V/50Hz
power	1.9 kWh, 10 amps 230-240V/50Hz

ORBITAL WASH SYSTEM

Smeg's orbital wash system has two spray arms which operate simultaneously in opposite directions to ensure water is evenly distributed throughout the inner cavity for a perfect wash.

DELAY START TIMER

Delay Start option allows for up to 12-hours delay start — allowing you to take advantage of off-peak energy usage times.

TOTAL ACQUASTOP

Acquastop is a water safety device that operates when the dishwasher is not in operation by restricting mains pressure at the tap, and not at the dishwasher.

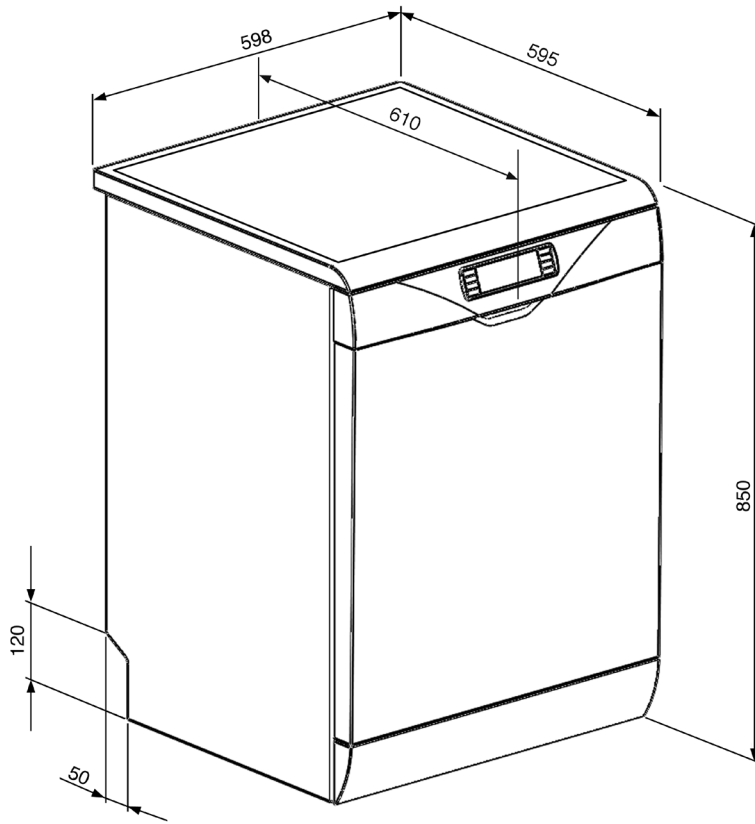
SAVE ON ENERGY AND PROTECT THE ENVIRONMENT

- ◆ always try to run the dishwasher full loaded
- ◆ do not wash dishes in running water
- ◆ use the washing program that is most appropriate for each type of load
- ◆ do not carry out any preliminary rinsing
- ◆ if available, connect the dishwasher to a hot water supply up to 60°C






The phosphates contained in dishwasher detergents are harmful to the environment. To avoid using excessive amounts of detergent and to save on electricity, observe the following:

- ◆ separate the more delicate items from dishes that are more resistant to aggressive detergents and high temperatures;
- ◆ do not pour the detergent directly onto the dishes.





PLEASE NOTE: drawings are not to scale. They are to assist only.

PROGRAM	LOAD	PROGRAM PROGRESS	DURATION	CONSUMPTION	
			minutes	water litres	power kWh
SOAK 	pans and dishes awaiting completion of load	cold prewash	15	3.5	0.02
NORMAL ECO 	crockery and cutlery normally soiled	cold prewash wash at 45°C rinse at 45°C dry	145	11.3	0.72
ECO 	dishes with normal dirt, even with dried-on residue	cold prewash wash at 55°C cold rinse rinse at 70°C dry	100	11	1.3
INTENSIVE 	dishes with normal dirt, even with dried-on residue	cold prewash wash at 65°C cold rinse rinse at 70°C dry	115	13.5	1.35
ULTRACLEAN 	very dirty pans and dishes, even with dried-on residue	hot prewash wash at 70°C cold rinse rinse at 70°C dry	150	15.5	1.70