










SA578X-9

Smeg thermosealed electric oven, Classic design

MULTIFUNCTION

supercook	fan forced	fan assisted	classic convection	fan grill	static grill	base heat	defrost	vapour clean
								



NEW SMEG THERMOSEAL

This uniquely insulated and sealed oven creates the most desirable and stable environment for the cooking of food. Splatter and food trauma is minimised when cooked in a thermosealed oven; cooking times may be reduced due to the more even temperature maintained within the oven during cooking. Most importantly, it cares for the food like no other oven.

The addition of a Venturi humidity control system assists to establish the optimum cooking environment.

EVER-CLEAN ENAMELLING

Smeg's enamelling process is unique, creating a silky-smooth finish on oven interiors and baking trays. A combination of formulae, coating application and firing processes creates a truly superior result. The enamel finish is pyrolytic quality and is used on all models, both standard and pyrolytic, in the range.

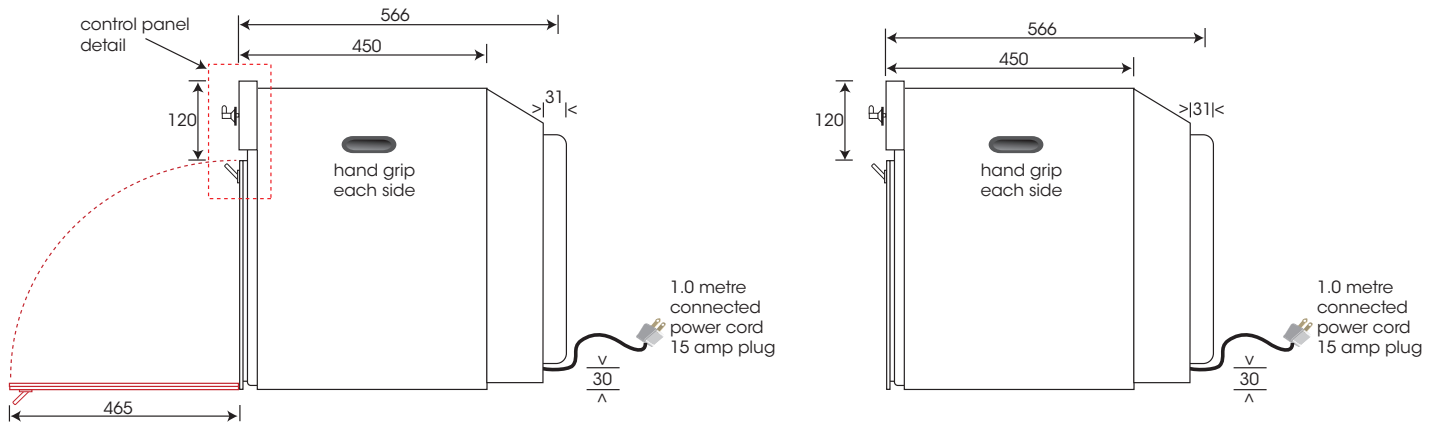
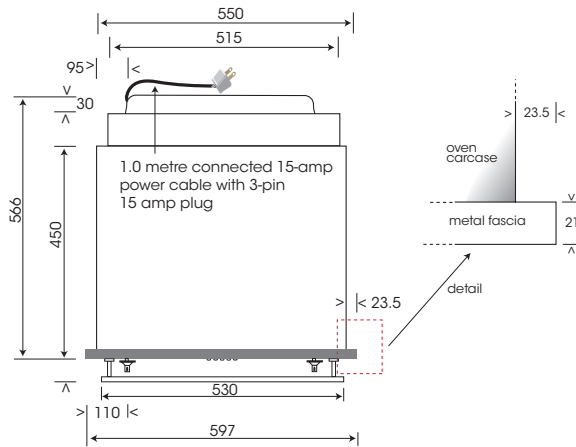
VAPOUR CLEANING

A small volume of water is placed in the recess on the floor of the oven, and the side walls, roof, base and rear wall are sprayed with water and a small amount of detergent; the Vapour Clean selection heats and circulates the vapour and softens any baked-on food residue on the pretreated cavity surfaces for easy wipe clean.

finish	satin stainless steel, fingerprint proof double-glazed door
size	597mmH x 597mmW x 566mmD
capacity	70 litre gross; 60 litre net
installation	flush fitment, underbench or wallmount
cooking levels	four shelf heights plus recessed floor for pizza stone
multifunction	seven cooking functions defrost selection Vapour Clean selection
programmability	digital clock, time of day, full auto cooking, semi-auto cooking, manual cooking, independent minute minder for simultaneous operation
cleaning	Vapour Clean selection smeg Ever-Clean enamelling
lighting	automatic, one side-mounted 25 watt, incandescent
furniture	smeg Ever-Clean enamel — <ul style="list-style-type: none"> • 20mmH grill-bake-roast tray • chromed grill insert • one shelf
options	GT13X telescopic shelving PRTX 35cm diameter pizza stone PAL stainless steel/timber pizza shovel
warranty	two years parts and labour

SA578X-9

Smeg thermostealed electric oven, Classic design



element	roof		floor	rear wall	rear wall fan	cooling fan	light, 1 x incandescent	consumption	
	inner	outer						max wattage	current
wattage	1700	1000	1200	2000	25	32	25		
supercook		500	600	●	●	●	●	3182	13.26
fan forced		●	●		●	●	●	2082	8.68
fan assisted		●	●		●	●	●	2282	9.51
classic convection		●	●			●	●	2257	9.41
fan grill	●	●			●	●	●	2782	11.60
static grill	●	●				●	●	2757	11.50
base heat			●			●	●	1257	5.24
defrost					●	●	●	82	0.34
vapour clean		●	●		●	●	●	2282	9.51