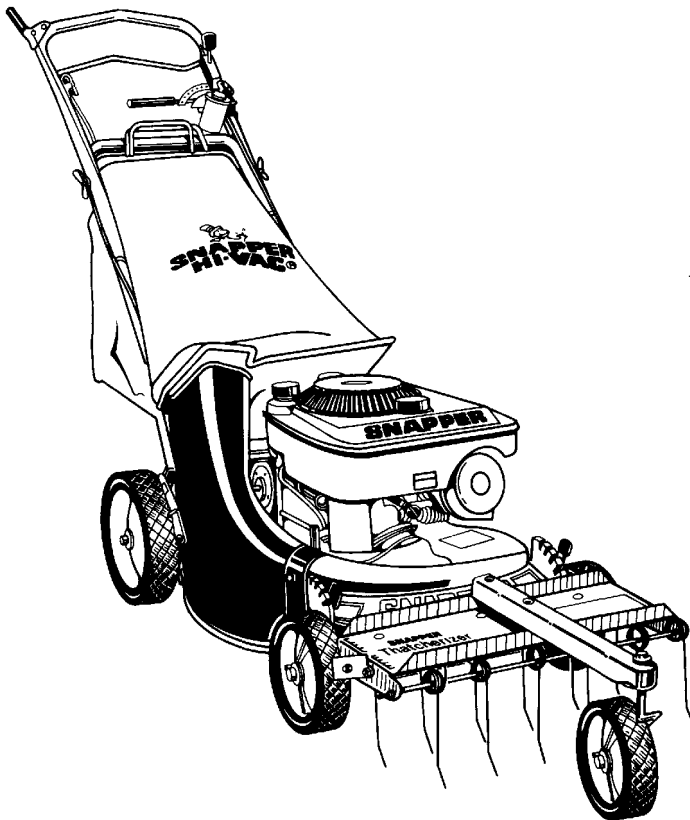


Parts Manual for
SNAPPER[®]

21" STEEL DECK WALK MOWERS
(1982 to 1989)
SERIES 1 & 5

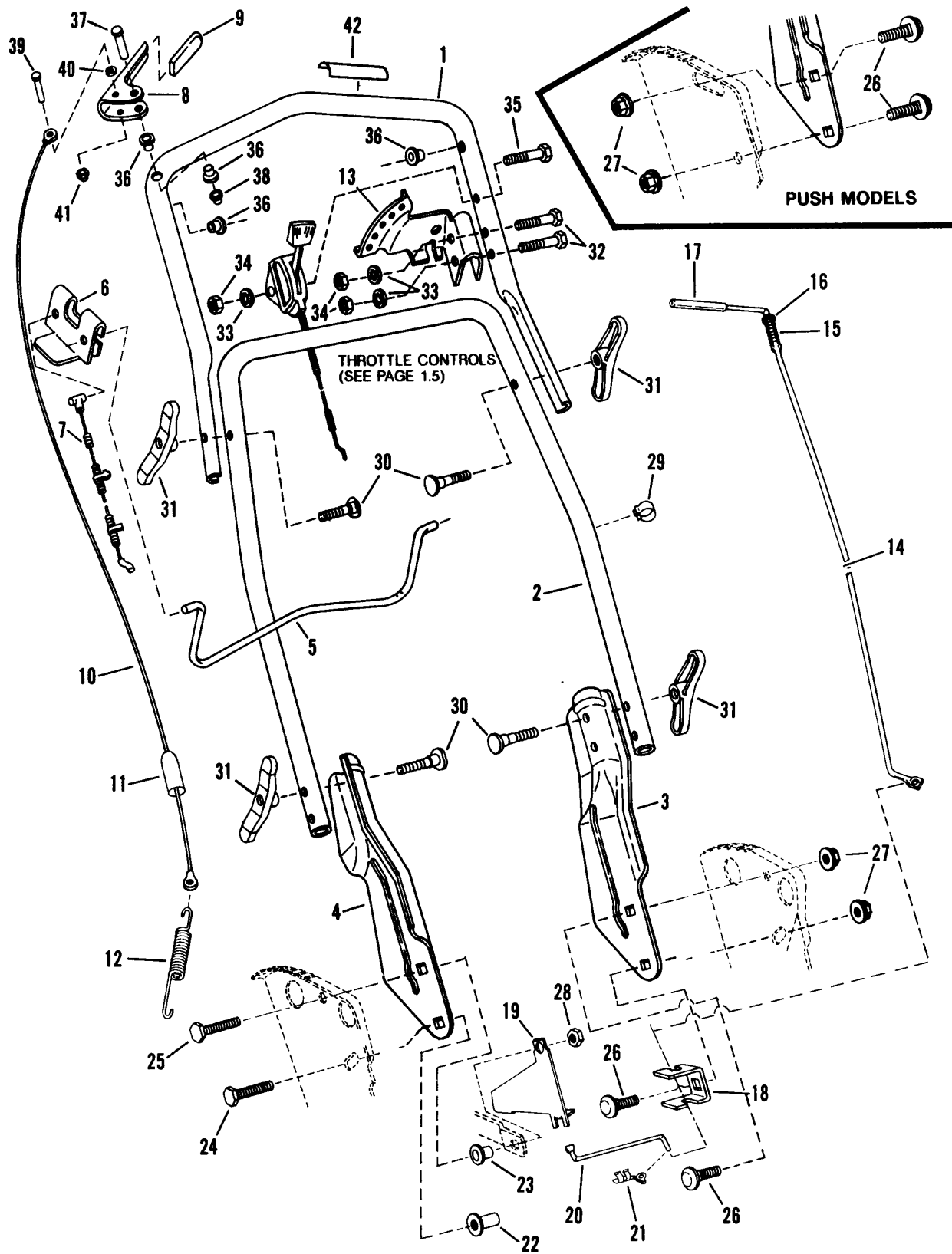


PUSH MODELS	PROPELLED MODELS
21351	21351P
21351D	21351PD
21351S	21351PS
21355	21355P
21401	21401P
21401S	21401PD-2
21405	21401PS
21405-2	21405P
21405S	21405P-2
214X1	21405PS
214XR	214X1P
214X1S	214X1PR
214X5	214X1PR-2
214X5-2	214X1PS
214X5R	214X5P
21RX1	214X5P-2
214X5R-2	214X5PR
21RX1P	214X5PR-2
G21355	214X5PS
G21405	21RX1P
G214X5-2	G21405P
	G21405PS
	G214X5P-2

SNAPPER McDonough, GA, 30253 U.S.A.

PAGE	GROUP
4	Handles & Controls (Series 1)
8	Handles & Controls (Series 5)
12	Cutting Deck, Blade, Interlock
14	Front Wheels, Bracket, Latches
16	Rear Wheels, Brackets, Latches
20	Drive System-Self-Propelled
24	Transmission (Differential) ('88 Models & Earlier)
26	Transmission (Differential) ('89 Models & Later)
28	Side Chute, Adapter
30	Grass Catcher
32	Grass Bag
34	Decals
36	Throttle Controls & Engine Specs
40	Electric Start ('84 Models & Earlier)
42	Electric Start ('85 Models & Later)
44	Mulcherizer
46	Snapperizer
48	Thatcherizer

Handles & Controls (Series 1)

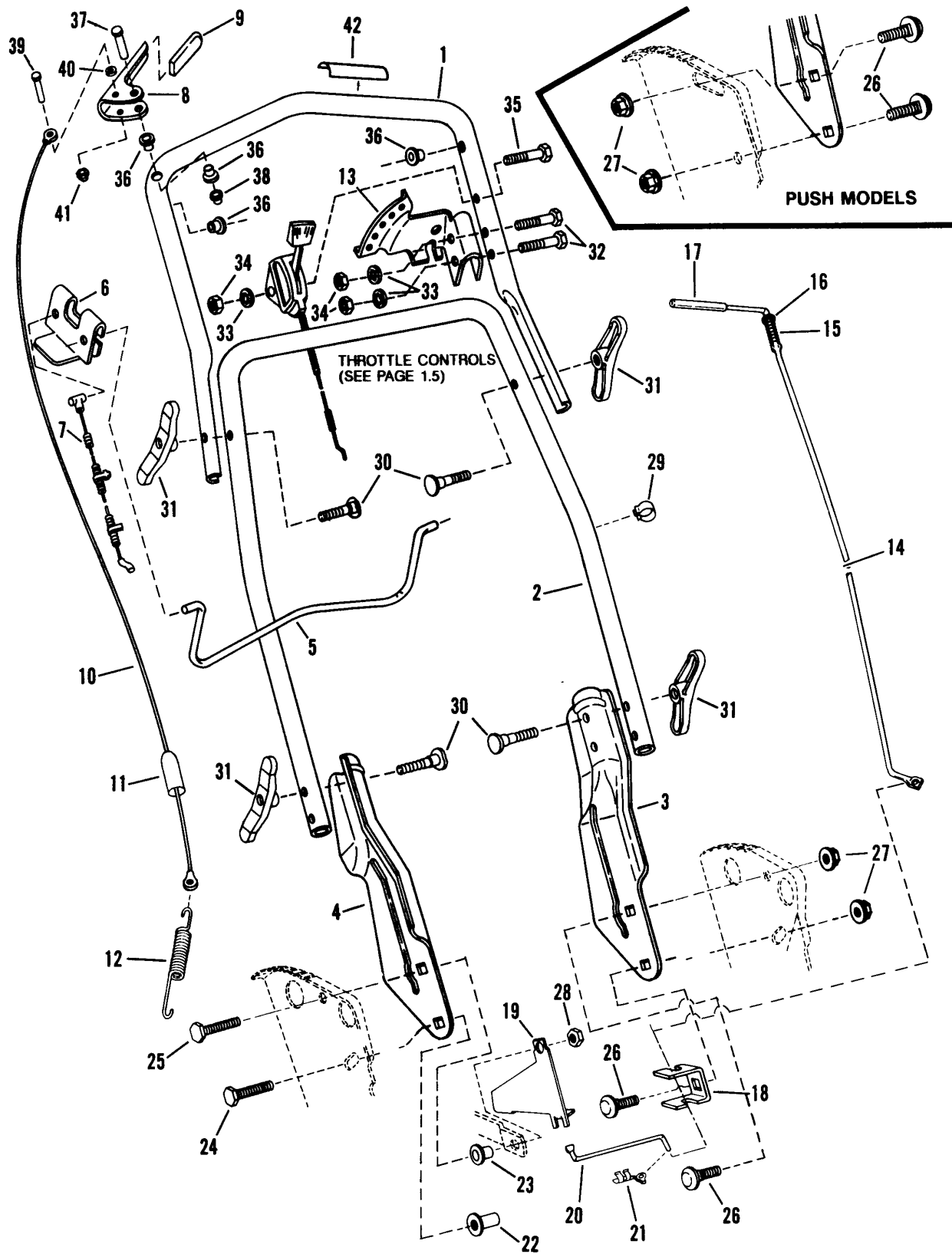


Handles & Controls (Series 1)

Item	Part No	Qty	Description	Note
1	7033444		HANDLE, Upper	<i>Used On ; Push Models</i>
	7036133		HANDLE, Upper	<i>Used On ; Push Electric Start</i>
	7033444		HANDLE, Upper	<i>Used On ; Self-Propelled</i>
2	7036037		HANDLE, Middle	
3	7038247		HANDLE, Lower L.H.	
4	7038246		HANDLE, Lower R.H.	
5	7019714		CONTROL, Blade	
6	7033904		CLIP, Blade Control	<i>(Same either side)</i>
7	7014305		CABLE, Blade Control	<i>For Briggs Engines</i>
	7018561		CABLE, Blade Control	<i>For Tecumseh Engines</i>
	7023093		CABLE, Blade Control	<i>For Robin Engines</i>
8	7032826		HANDLE, Wheel Drive	<i>Used On ; Self-propelled</i>
9	7014307		GRIP, Handle	<i>Used On ; Self-propelled</i>
10	7023134		CABLE, Clutch Pull	<i>Used On ; Self-propelled</i>
11	7012121		COVER, Vinyl	<i>Used On ; Self-prop.(part of item 10)</i>
12	7012122		SPRING, Clutch	<i>Used On ; Self-propelled</i>
13	7038478		SECTOR, Speed	<i>Used On ; Self-propelled</i>
14	7012317		LEVER, Speed Control	<i>Used On ; Self-propelled</i>
15	7012093		SPRING, Speed Control	<i>Used On ; Self-propelled</i>
16	7090188		WASHER, 3/8" Flat	
17	7023801		GRIP, Speed Contr. Handle	<i>Used On ; Self-propelled</i>
18	7032830		ANCHOR, Speed Control	<i>Used On ; Self-propelled</i>
19	7032408		GUIDE, Lower(V-Belt)	<i>Used On ; Self-propelled</i>
20	7012255		ROD, Transfer	<i>Used On ; Self-propelled</i>
21	7010937		CLIP, Transfer Rod	<i>Used On ; Self-propelled</i>
22	7090895		TEE-NUT, 5/16-18	<i>Used On ; Self-propelled</i>
23	7012114		BUSHING, Differential	<i>Used On ; Self-propelled</i>
24	7090595		BOLT, 5/16-18x1" Hex Flange Lock	<i>Used On ; Self-propelled</i>
25	7090238		CAPSCREW, 5/16-24x1	<i>Used On ; Self-propelled</i>
26	7090799		BOLT,5/16x18x5/8 Carr.	
27	7090189		LOCKWASHER, 5/16 I.E.Tooth	
28	7091601		NUT, 5/16-18 Hex Flange Lock	<i>Was 90585</i>
29	7090222		NUT, 5/16-24 Center Lock	<i>Used On ; Self-propelled</i>
30	7090552		CAPSCREW, 1/4-28x1-3/8	<i>Used On ; Grade 5</i>
31	7090053		LOCKWASHER, 1/4 Int. Tooth	
32	7090095		NUT, 1/4-28 Hex	
33	7090111		CAPSCREW, 1/4-28x1-3/4	

Footnotes:

Handles & Controls (Series 1)

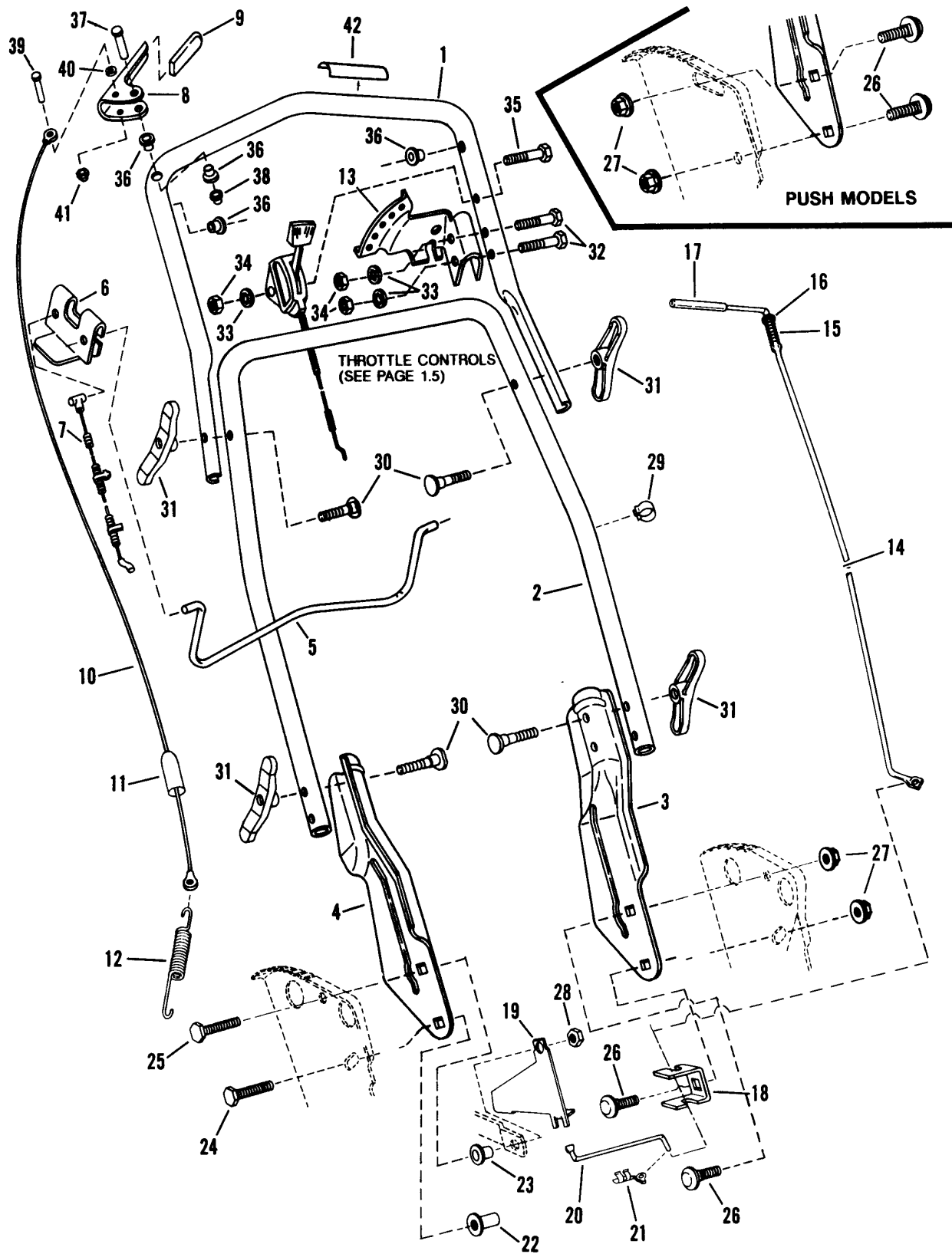


Handles & Controls (Series 1)

Item	Part No	Qty	Description	Note
34	7090950		BOLT, 1/4-20x1-7/8" Carriage	<i>Used On ; Push</i>
35	7015693		WING-NUT, 1/4-20	<i>Was 14207, Used On ; Push</i>
36	7014343		BUSHING	
37	7091020		PUSH-NUT	<i>Was 90489</i>
38	7023792		PIN, Clutch Handle	<i>Was 11886 Used On ; Self-propelled</i>
39	NA		DECAL, Blade Control	<i>Was 14310</i>
40	7023813		CLIP, Cable/Wiring	<i>Was 14374</i>
41	7014734		PUSH-NUT	<i>Used On ; Self-propelled</i>
42	7014733		PIN, 3/16x1-3/4" Clevis	<i>Used On ; Self-propelled</i>
43	7090010		WASHER, #10 Flat (2)	<i>Used On ; Self-propelled</i>

Footnotes:

Handles & Controls (Series 5)

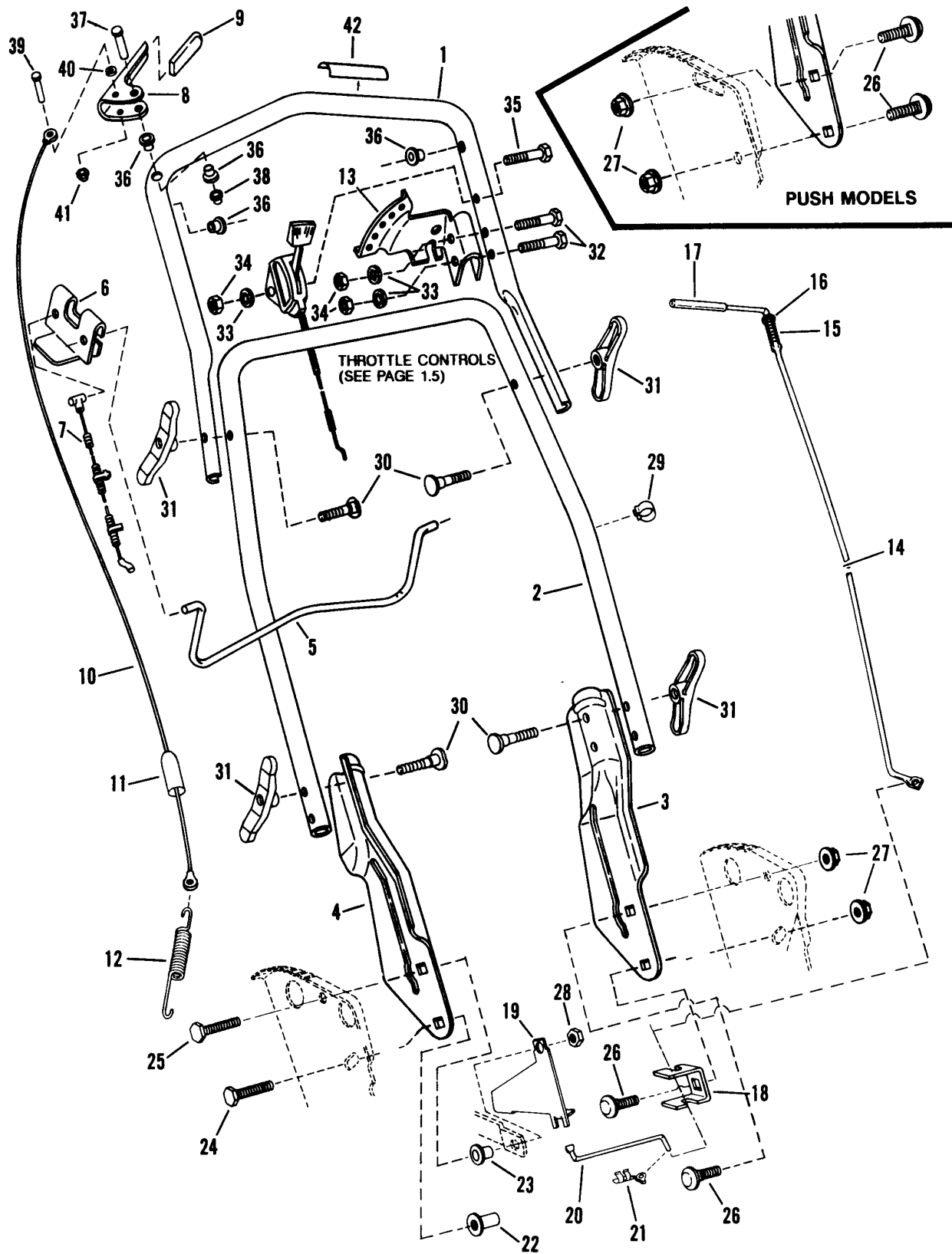


Handles & Controls (Series 5)

Item	Part No	Qty	Description	Note
1	7036200		HANDLE, Upper	Was 36199 Used On ; Push
	7036200		HANDLE, Upper	Used On ; Self-Propelled
2	7036202		HANDLE, Middle	
3	7046502		HANDLE, Lower Left Hand	
4	7035342		HANDLE, Lower Right Hand	
5	7019714		CONTROL, Blade	
6	7033904		CLIP, Blade Control	(Same either side)
7	7014305		CABLE, Blade Control	Briggs & Stratton Engines
	7015636		CABLE, Blade Control	Tecumseh Engines (2-cycle)
	7015601		CABLE, Blade Control	Tecumseh Engines (4-cycle)
	7023093		CABLE, Blade Control	Robin Engines (was 01-5258)
8	7032826		HANDLE, Wheel Drive	Was 32237, Self-propelled
9	7014307		GRIP, Wheel Drive Handle	Used On ; Self-propelled
10	7023134		CABLE, Clutch Pull (includes #11)	Was 51672, Used On ; Self-propelled
	7023134		CABLE, Clutch Pull (89 Models, Z-BEND)	Used On ; Self-propelled
11	7012121		COVER, Vinyl (included on #10)	Used On ; Self-propelled
12	7012122		SPRING, Clutch	Used On ; Self-propelled
13	7038478		SECTOR, Speed	Used On ; Self-propelled
14	7023795		LEVER, Speed Control	Used On ; Self-propelled
15	7012093		SPRING, Speed Control	Used On ; Self-propelled
16	7090188		WASHER, 3/8" Flat	Used On ; All-different locations
17	7023801		GRIP, Speed Control Handle	Used On ; Self-propelled
18	7032830		ANCHOR, Speed Control	Used On ; Self-propelled
19	7032408		GUIDE, Lower V-Belt	Used On ; Self-propelled
20	7012255		ROD, Transfer	Used On ; Self-propelled
21	7010937		CLIP, Transfer Rod	Used On ; Self-propelled
22	7090895		TEE-NUT, 5/16-18	Used On ; Self-propelled
23	7012114		BUSHING, Differential	Used On ; Self-propelled
24	7090595		BOLT, 5/16-18x3/4 Flange Lock	Used On ; Self-propelled
25	7090238		CAPSCREW, 5/16-24x1	Used On ; Self-propelled
26	7090799		BOLT, 5/16-18x5/8 Carriage	Used On ; All (different locations)
27	7091601		NUT, 5/16-18 Hex Flange Lock	Was 90585
28	7090222		NUT, 5/16-24 Center Lock	Used On ; Self-propelled
29	7023813		CLIP Cable/Wiring	Was 14374, Used On ; All
30	7090965		SCREW, 1/4Cx1-7/8 Curved Head	Used On ; All
31	7015693		WING-NUT, 1/4C	Used On ; All
32	7090552		CAPSCREW, 1/4-28x1-3/8	Used On ; Self-propelled

Footnotes:

Handles & Controls (Series 5)

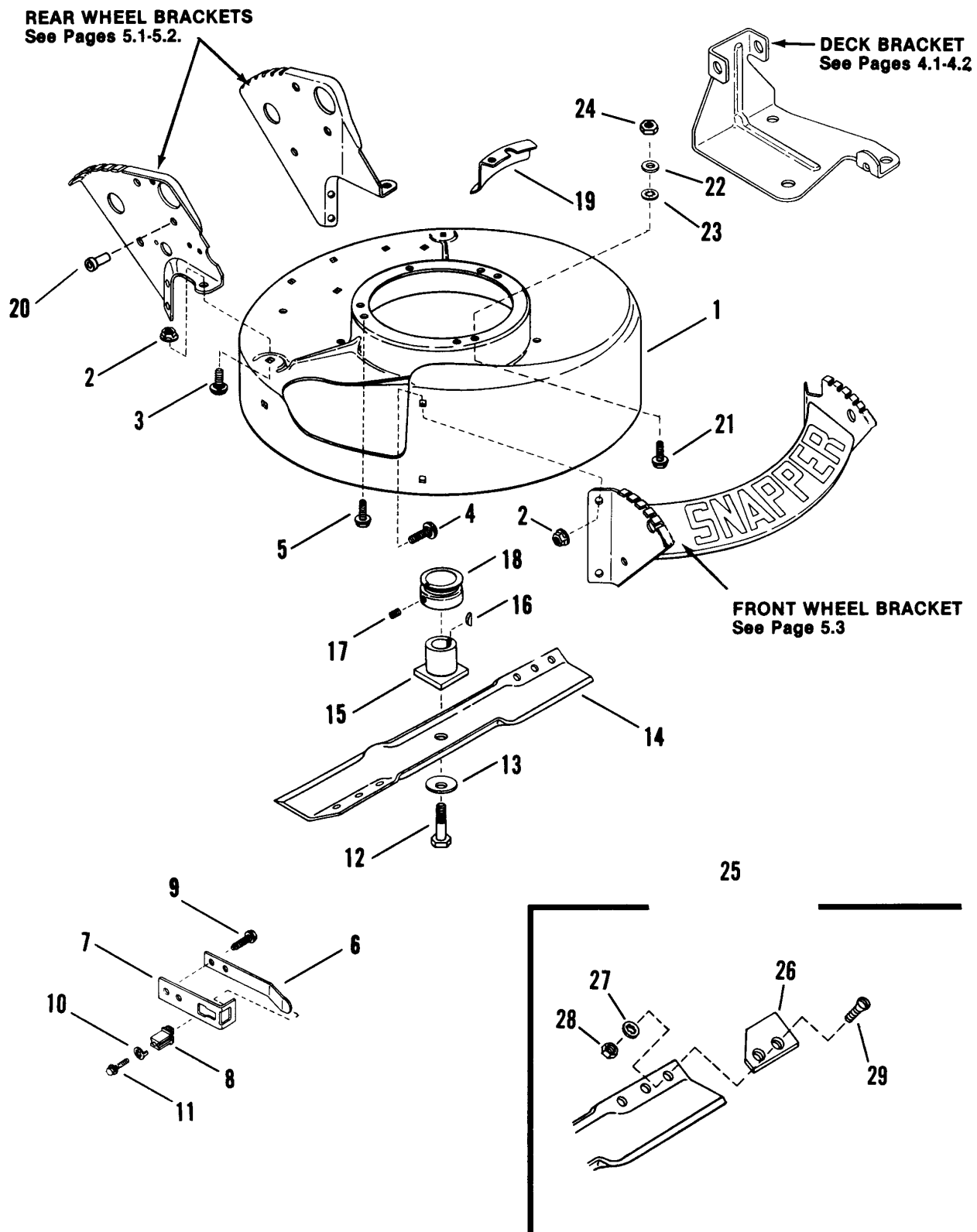


Handles & Controls (Series 5)

Item	Part No	Qty	Description	Note
33	7090053		LOCKWASHER, 1/4 Internal Tooth	<i>Used On ; All (different locations)</i>
34	7090095		NUT, 1/4-20 Hex	<i>Used On ; All (different locations)</i>
35	7090111		CAPSCREW, 1/4-28x1-3/4	<i>Used On ; All (throttle control)</i>
36	7014343		BUSHING	<i>Used On ; All</i>
37	7023792		PIN, Clutch Handle	<i>Was 11886 Used On ; Self-propelled</i>
38	7091020		PUSH-NUT (for handle pin)	<i>Was 90489 (Used On ; Self-propelled)</i>
39	7014733		PIN, 1-3/4 LG (Clutch cable)	<i>Used On ; Self-propelled</i>
40	7090010		WASHER, #10 Flat	<i>Used On ; Self-propelled</i>
41	7014734		PUSH-NUT(for clutch pin)	<i>Used On ; Self-propelled</i>
42	NA		DECAL, Blade Control	<i>Was 14310</i>

Footnotes:

Cutting Deck, Blade, Interlock



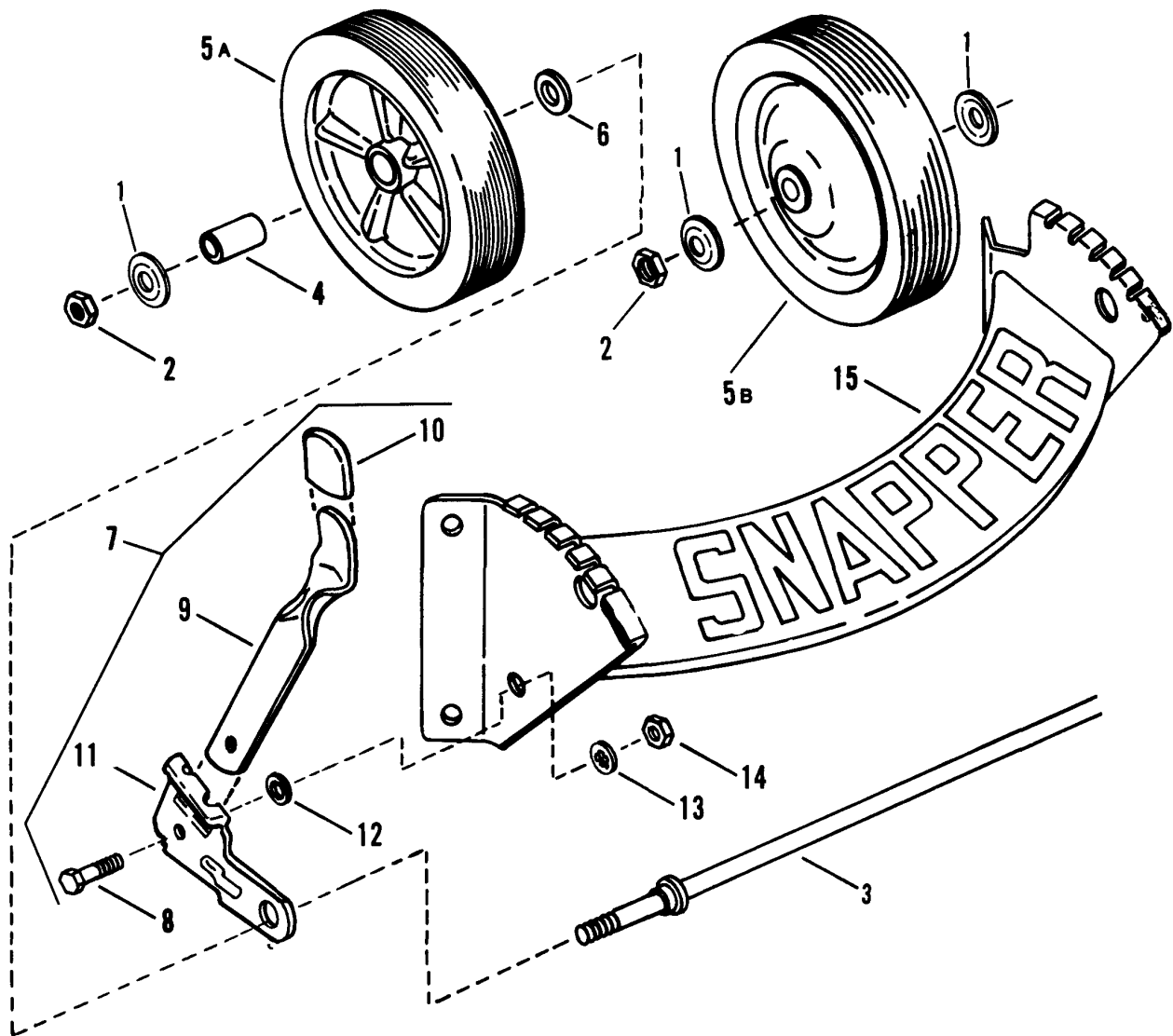
Cutting Deck, Blade, Interlock

Item	Part No	Qty	Description	Note
1	7057663		DECK, Mower	<i>Was 51369 (Includes painted deck with decals)</i>
	7057663		DECK, Mower (Robin)(⁸⁶ Model Year Only)	<i>Was 51605 (Includes painted deck with decals)</i>
2	7091601	12	NUT, 5/16-18 Hex Flange Lock	<i>Was 90585</i>
3	7090731	9	BOLT, 5/16-18x1/2" Short Neck Carriage (Gr.)	
4	7091303		BOLT, 5/16-18x1" Short Neck Carriage	<i>Was 90383</i>
5	7090324	2	SCREW, 3/8-16x1" Self-tapping (Engine Mounting)	
	7090595		BOLT, 5/16-18x3/4" Hex Flange Lock	
6	7032417		SPRING, Wheel Bracket Type Interlock	
7	7032416		BRACKET, Wheel Bracket Type Interlock	
8	7012048		INSULATOR, Interlock	
9	7091122	2	SCREW, 1/4-20x1/2" Self-tapping	<i>Was 90539</i>
10	7090385		WASHER, #8Tab Internal Tooth Lock	
11	7090379		SCREW, #8-18x3/4" Hex Head Machine	
12	7090167		SCREW, 3/8-24x2" Hex Head Cap (Gr. 5)	
13	7012063		WASHER, Cone	
14	7026691		BLADE, Cutter(For 3-1/2 HP only)	<i>Was 17002</i>
14	7019795		BLADE, Cutter, (4 HP ENGINES)(Replaces 1-9710 & 1-9702)	
15	7012927		HUB, Blade Drive (7/8" Dia. I.D.)	
	7015626		HUB, Blade Drive (25mm Dia. I.D.)	
16	7010783	2	KEY, Hi-Pro	
17	7090201		SCREW, 5/16-18x5/16" Hex Socket Set	
18	7021707		PULLEY, Engine (7/8" I.D. x 1-7/8" O.D.)	<i>(Briggs & Tec.)(Self-Propelled)</i>
	7021764		PULLEY, Engine (7/8" I.D. x 2-1/8" O.D.)	<i>(Robin & Briggs I.C.)(Self-Propelled)</i>
	7015780		PULLEY, Engine (25mm I.D. x 2-1/8" O.D.)	<i>(Briggs 2 Cycle)(Self-Propelled)</i>
19	7031968		SHIELD, Belt Opening Cover	<i>(Push Models Only)</i>
20	7012135		BUSHING, Interlock Wire	
21	7090700	2	BOLT, 5/16-18x1 1/2" Hex Flange Lock	<i>Used on Robin Engines Only.</i>
22	7090188	2	WASHER, 5/16 Flat	<i>Used on Robin Engines Only.</i>
23	7090187	2	WASHER, 5/16 Split Lock	<i>Used on Robin Engines Only.</i>
24	7091511	2	NUT, 5/16-18 Hex	<i>Used on Robin Engines Only.</i>
25	7060785		KIT, air Lift	<i>(Includes items 26, 27, 28 & 29)</i>
26	7032558	2	LIFT, Air	<i>Included in 7060785 Kit</i>
27	7090391	4	LOCKWASHER	
28	7091297	4	NUT, 5/16-24 Hex	<i>Was 90223</i>
29	7090228	4	SCREW, 5/16-24 Machine	

Footnotes:

NOTE: Used on Robin Engines Only.

Front Wheels, Bracket, Latches

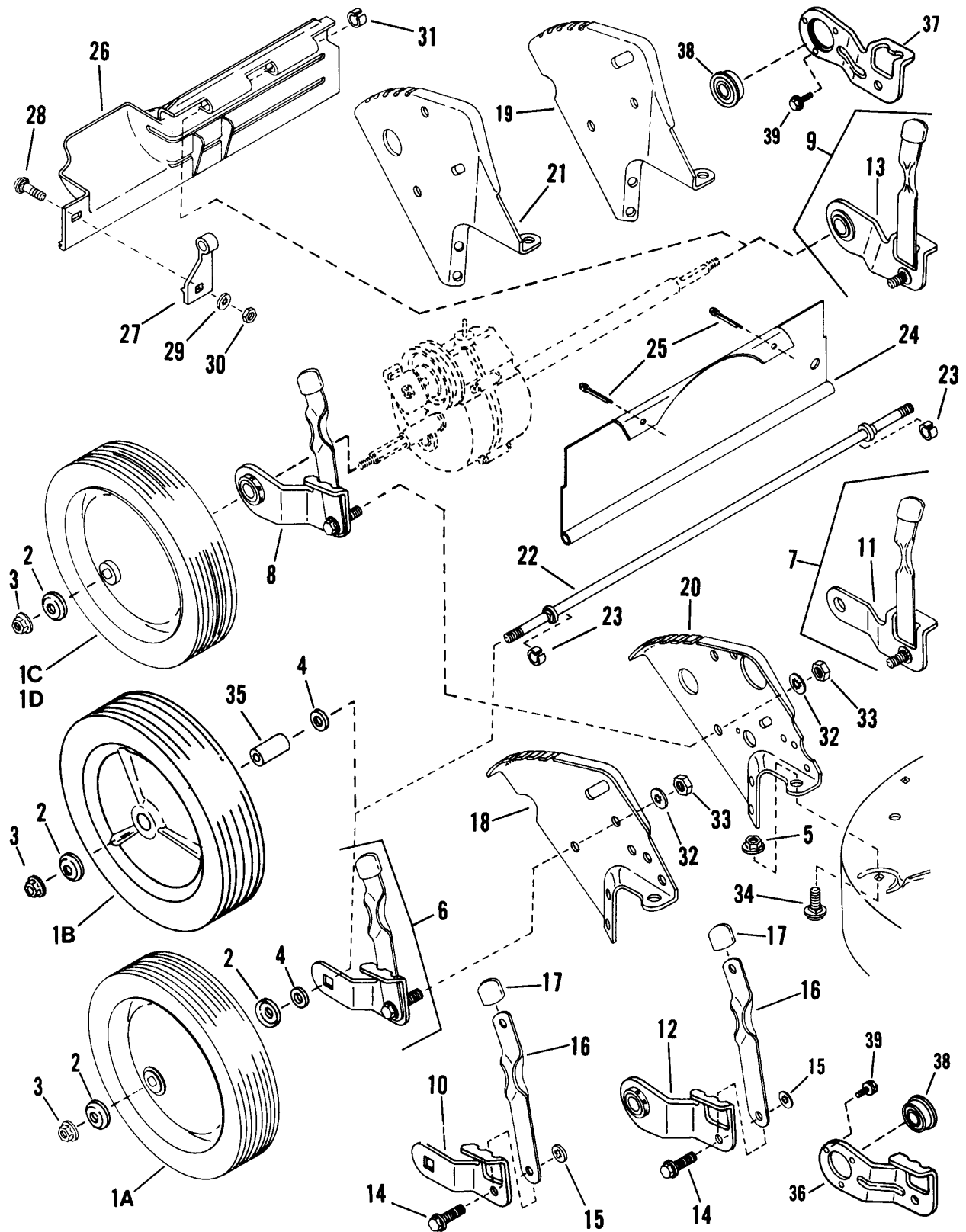


Front Wheels, Bracket, Latches

Item	Part No	Qty	Description	Note
			ARM ASSEMBLY, Right Wheel (Consists of items 8,9,10, 11B,12)	
1	7031121		HUB-CAP (Steel Wheels)	
	7031961		HUB-CAP (Plastic Wheels)	
2	7090377		NUT, 7/16-20 Hex Center Lock	Was 90394
3	7021119		AXLE	
4	7012309	2	BUSHING, Axle	
5A	7018189	2	WHEEL, Front 7 x 1.50 Plastic Rim	
5B	7012347	2	WHEEL, Front 7 x 1.75 Steel Rim (214 X 1 & 21R X 1 Series)	
6	7031961	3	WASHER, Steel	
7	7052538		ARM ASSEMBLY, Right Wheel (Consists of items 8,9,10, 11B,12)	Was 50760
	7052537		ARM ASSEMBLY, Left Wheel (Consists of items 8,9,10,11A,12)	Not shown, Was 50761
8	7015761		BOLT, 5/16-18 Shoulder	
9	7012325		LATCH, Height	
10	7011093		GRIP	
11	7031017		ARM, Right Wheel	
11	7031016		ARM, Left Wheel	Not shown
12	7011791		RETAINER, 5/16 Bolt	
13	7090391		WASHER, 5/16 Internal Tooth Lock	
14	7091511		NUT, 5/16-18 Hex	Was 90196
15	7047815		BRACKET, Front Wheel	

Footnotes:

Rear Wheels, Brackets, Latches

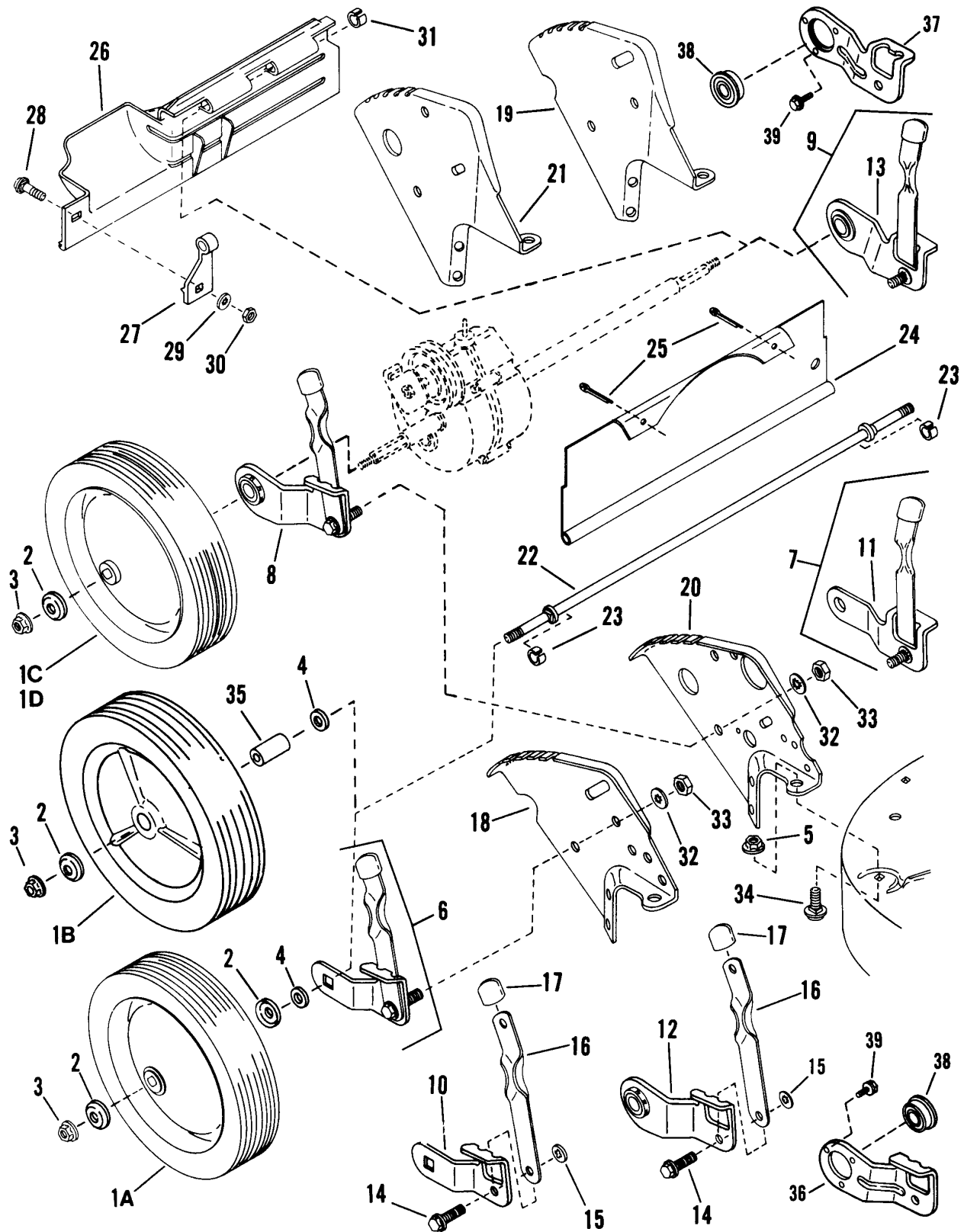


Rear Wheels, Brackets, Latches

Item	Part No	Qty	Description	Note
1A	7012603		WHEEL, 9 x 1.75 Steel Rim (214 x 1 & 21R x 1 Push Models)	
1B	7012345		WHEEL, 9 x 1.95 Steel Rim (214 x 1P4 & 21R x 1P Self Propelled Models)	
1C	7022796		Wheel, 9 x 1.75 Plastic Rim (Push Models)	Was 12579
1D	7014604		WHEEL, 9 x 1.75 Steel Rim (Self-Propelled Models)	
1E	7022797		WHEEL, 9 x 1.75 Plastic Rim (21355P Self-Propelled)	Was 15708
2	7031960	4	HUB-CAP, Deep Dish	
3	7090377		NUT, 7/16-20 Hex Center Lock	Was 90394
4	7031961	2	WASHER, Steel	
5	7091601		NUT, 5/16-18 Hex Flang Lock	Was 90585
6	7052538		WHEEL ARM ASSEMBLY (Front Left & Rear Right) Square opening	Was 50760 Includes items 10,14,15,16,17
7	7052537		WHEEL ARM ASSEMBLY (Front Right & Rear Left) Round opening	Was 50761 Includes items 11,14,15,16,17
8	7054246		ASSEMBLY, Wheel Arm (Rear Right "P" Models)	Was 57402 (Includes 13,14,15,16, & 17)
9	7054247		ASSEMBLY, Wheel Arm (Rear Left "P" Models)	Was 57401 (Includes 13,14,15,16, & 17)
10	7031016		ARM (Square Axle End)	
11	7031017		ARM (Round Axle End)	
12	7052078		ARM & BEARING ASSEMBLY, Rear Right "P" Models	Was 51558
13	7052077		ARM & BEARING ASSEMBLY, Rear Left "P" Models	Was 51557
14	7015761		BOLT, 5/16-18 x 1 Shoulder	
15	7011791		RETAINER, 5/16 Bolt	
16	7012325		LATCH, Height Adjusting	
17	7011093		GRIP, Latch	
18	7036050		BRACKET, Right Rear Wheel (Push Models)	
19	7036049		BRACKET, Left Rear Wheel (Push Models)	
20	7036048		BRACKET, Right Rear Wheel (Self-prop. "P" Models)	
21	7036242		BRACKET, Left Rear Wheel (Self-prop. "P" Models)	
22	7021119		AXLE, (Rear on Push Models also front on all)	
23	7011780	2	RING (Push Models)	
24	7026166		GUARD, Rear Foot	Was 37765 (Push Models)
	7026166		GUARD, Rear Foot (Push Models) (Plastic) ('89 Models & Later)	Was 19068
25	7091809	2	COTTER PIN, 1/8 x 1-1/2 (Steel)('88 Models & Earlier)	Was 90297
26	7019522		GUARD, Rear Foot(Self-prop. "P" Models)	
27	7012616		SUPPORT, Foot Guard	
28	7091604		BOLT, 1/4-20 x 1/2 Short Neck Carriage Gr.5	Was 90005
29	7090053		WASHER, 1/4 Int. Tooth Lock	
30	7091576		NUT, 1/4-20 Hex	Was 90063
31	7010996		RING	
32	7090391		WASHER, 5/16 Int. Tooth Lock	

Footnotes:

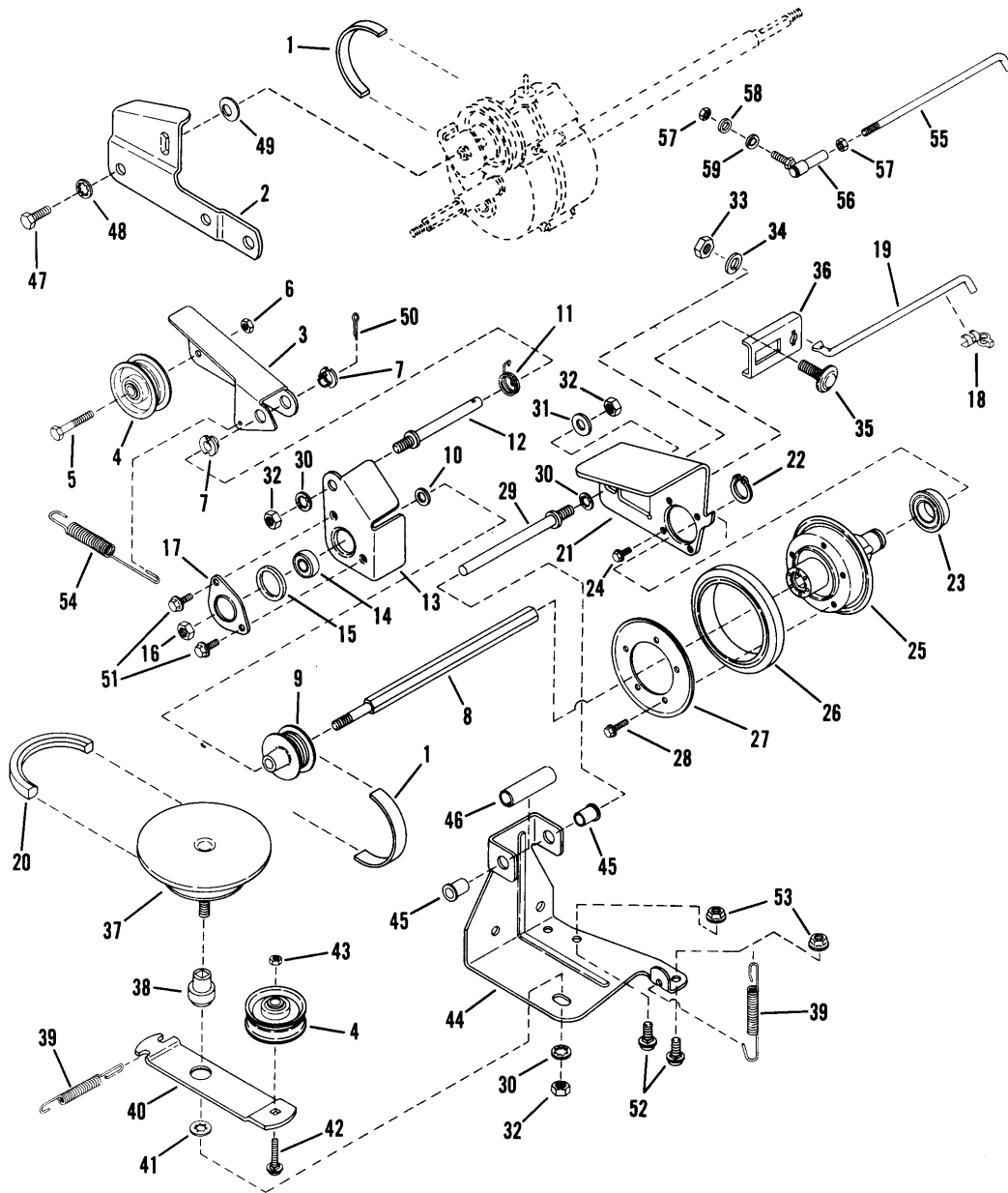
Rear Wheels, Brackets, Latches



Rear Wheels, Brackets, Latches

Item	Part No	Qty	Description	Note
33	7091511		NUT, 5/16-18 Hex	<i>Was 90196</i>
34	7090731		BOLT, 5/16-18 x 1/2 Short Neck Carriage	
35	7012309		BUSHING, Axle (Used within 1A & 1C)	
36	7032722		ARM, Wheel Rear Right "P" Models ('89 Models & Later)	
37	7032723		ARM, Wheel Rear Left "P" Models ('89 Models & Later)	
38	7046983		BEARING	<i>Was 18767</i>
39	7040981	3	SCREW, #10-32 x 1/4 Self-Tapping (3)	

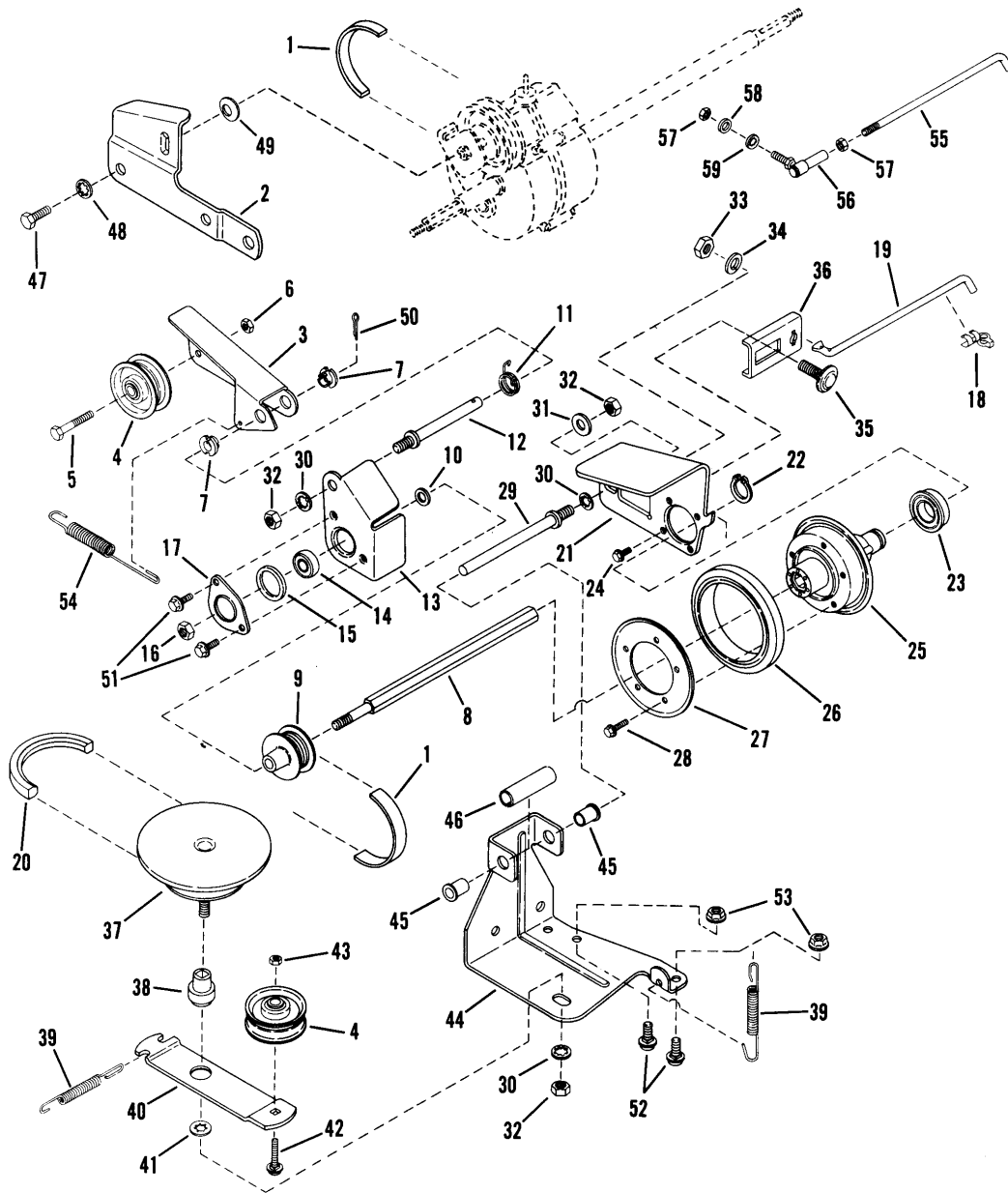
Footnotes:



Drive System-Self-Propelled

Item	Part No	Qty	Description	Note
1	7012354		BELT, Poly-Vee	
2	7034179		LINK, Differential	Was 31880
	7051921		ASSEMBLY, Clutch Idler	Was 50706 (Includes items 3 thru 7)
3	7032832		ARM, Clutch Idler	Was 31877
4	7012124		PULLEY, Idler	
5	7090552		CAPSCREW, 1/4-28 x 1-3/6" Hex Head	
6	7090303		NUT, 1/4-28 Hex Lock	
7	7012117	2	BUSHING, 3/8 I.D. Nylon	
8	7072284		SHAFT, Hex	Was 21745
9	7024521		PULLEY	Was 12140
10	7012316		WASHER	
11	7012126		SPRING, Torsion	
12	7012111		STUD	
13	7031873		HOLDER, Bearing (Inner Half)	
14	7028014		BEARING, Ball	Was 12304
15	7011025		O-RING	
16	7090289		NUT, 3/8 Hex Center Lock	
17	7031809		HOLDER, Bearing (Outer Half)	
18	7010937		CLIP, 1/4 Right Arc (Transfer Rod)	
19	7012255		ROD, Transfer	
20	7012508		BELT, Engine Drive	
	7053225		ASSEMBLY, Driven Disc	Was 57444 (Includes 21 thru 28)
21	7038486		PLATE, Thrust	Was 38154
22	7010746		RING, Retaining	
23	7026693		BEARING, Ball	Was 15474
24	7090981	4	SCREW, #10-32 x 1/4" Self-Tapping Machine	
25	7061276		ASSEMBLY, Hub	Was 51616 (Includes 11108 Bushing & 90913 Screws)
26	7023364		RING, Driven (Rubber Disc)	Was 10927
27	7031013		PLATE, Ring Retaining	
28	7090913	5	SCREW, #10-24 x 1/2" Hex Washer Self-Tap (Torx)	
29	7012125		GUIDE, Thrust Plate	
30	7090390	2	WASHER, 3/8 Internal Tooth Lock	
31	7090122	3	WASHER, 3/8" Flat	
32	7091630	3	NUT, 3/8-24 Hex	Was 90155
33	7091511		NUT, 5/16-18 Hex	Was 90196
34	7090187		WASHER, 5/16 Split Lock	
35	7090316		BOLT, 5/16-18 x 3/4 Carriage	

Footnotes:

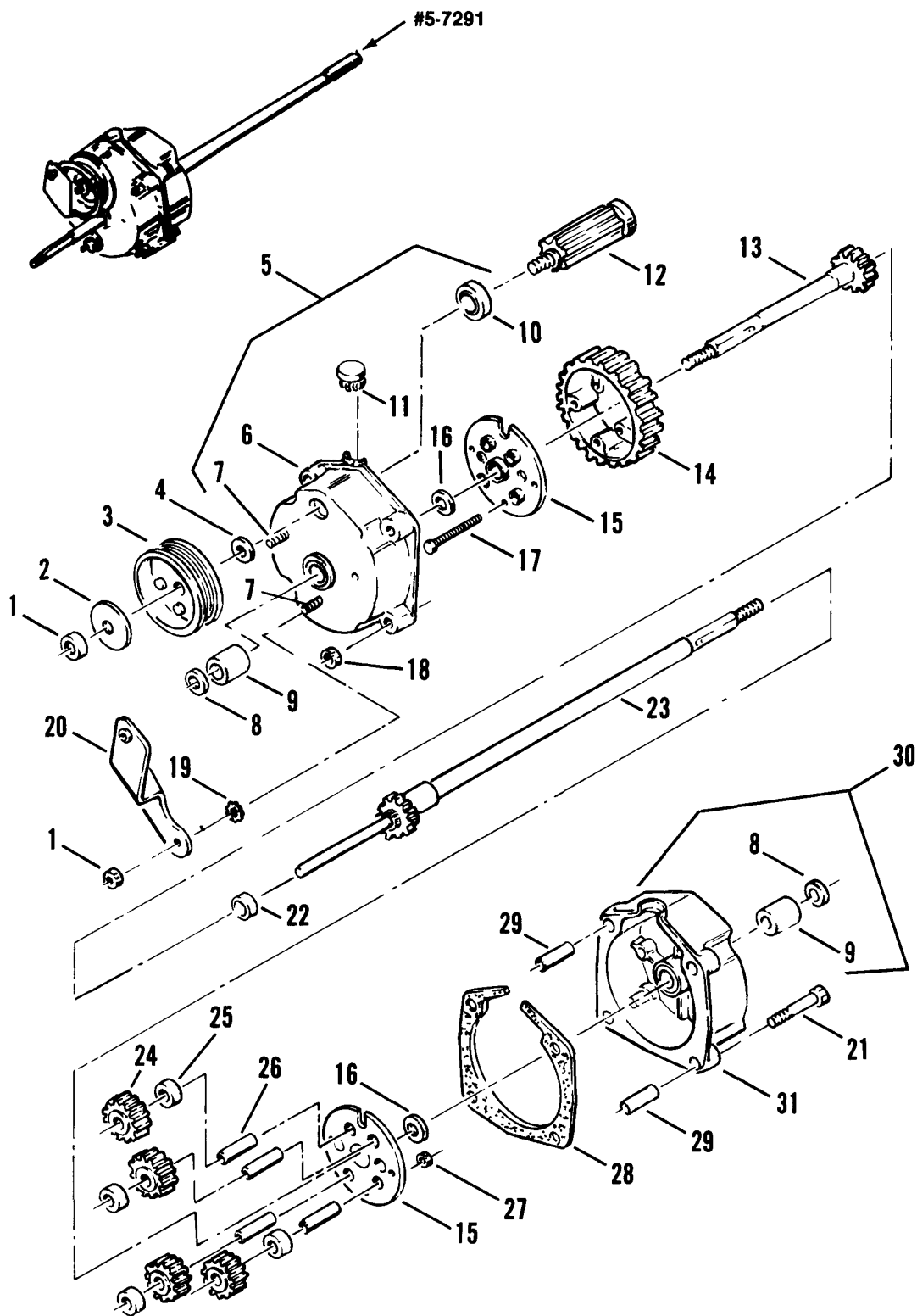


Drive System-Self-Propelled

Item	Part No	Qty	Description	Note
36	7032831		CONNECTOR, Transfer Rod	<i>Was 31874</i>
37			ASSEMBLY, Drive-Disc	<i>NOTE: Order Kit #6-0710 for replacement.</i>
38			BUSHING	<i>NOTE: Order Kit #6-0710 for replacement.</i>
39	7029025	2	SPRING (Wheel Drive & Idler)	<i>Was 13694</i>
40	7032116		ARM, Idler	
41	7013847		RETAINER, 3/8 Bolt	
42	7090078		BOLT, 1/4-20 x 1-1/4" Carriage	
43	7090372		NUT, 1/4-20 Hex Center Lock	
	7050751		ASSEMBLY, Deck Bracket	<i>(Includes items 44 thru 46)</i>
44	7033774		BRACKET, Deck	<i>Was 31919 (Now 17696 + 33774)</i>
45	7012306	2	BUSHING, Flange	
46	7021758		SPACER	
47	7090534		SCREW, 5/16-18 x 1/2" Hex Head Cap	
48	7090391		WASHER, 5/16 Internal Tooth Lock	
49	7011079		WASHER, Spring	
50	7091597		COTTER-PIN, 3/32 x 1/2"	<i>Was 90555</i>
51	7091122		SCREW, 1/4-20 x 1/2" Self-Tapping	<i>Was 90539</i>
52	7090731	2	BOLT, 5/16-18 x 5/8" Short Neck Carriage	
53	7091601	2	NUT, 5/16-18 Hex Flange Lock	<i>Was 90585</i>
54	7012122		SPRING, Clutch	
55	7015752		LINK, Transfer ('89 Models & Later)	
56	7015753		JOINT, Ball ('89 Models & Later)	
57	7090095		NUT, 1/4-28 Hex ('89 Models & Later)	
58	7091294		WASHER, 1/4 Flat ('89 Models & Later)	<i>Was 90055</i>
59	7090053		WASHER, 1/4 internal Tooth Lock ('89 Models & Later)	

Footnotes:

Transmission (Differential) ('88 Models & Earlier)

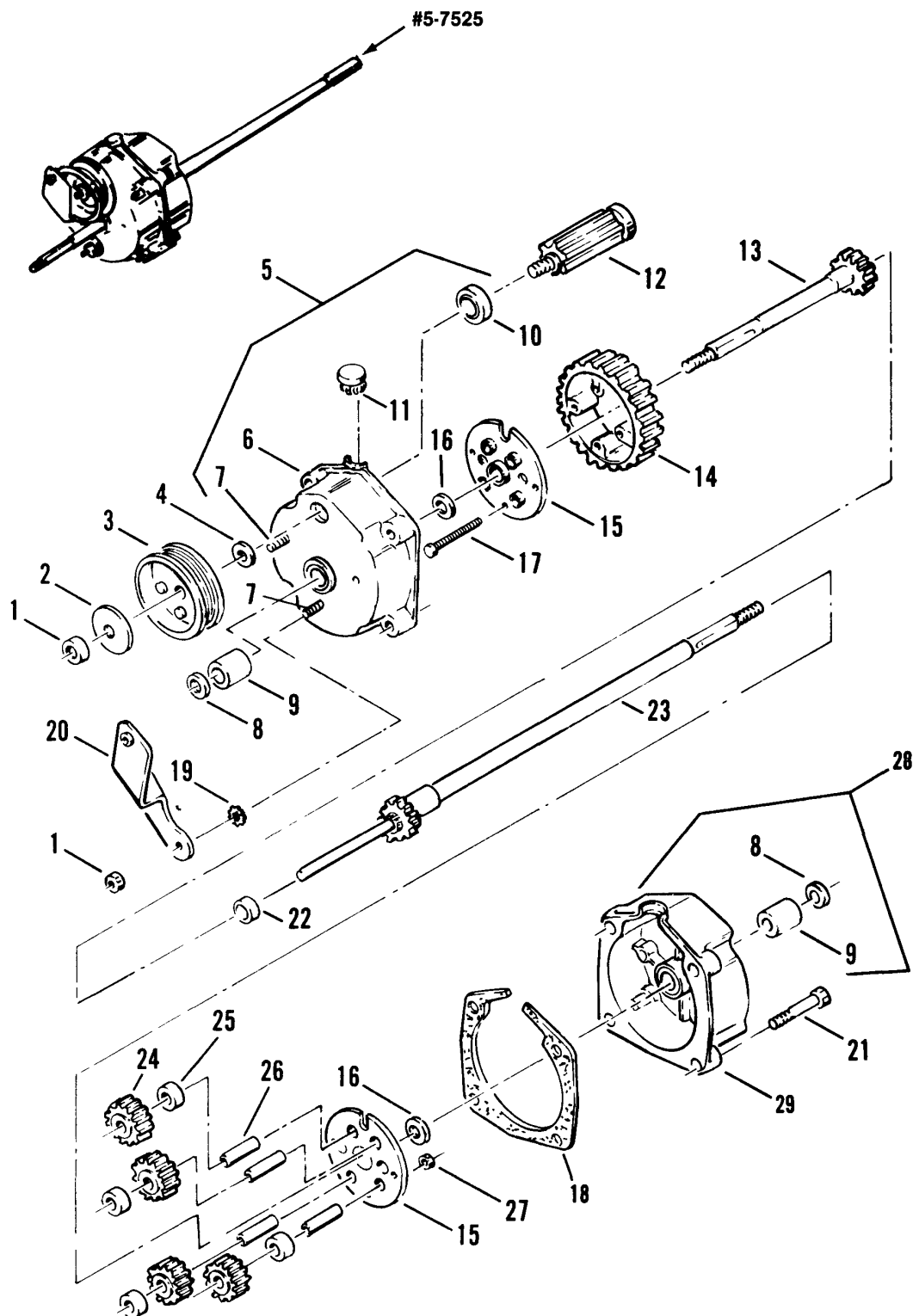


Transmission (Differential) ('88 Models & Earlier)

Item	Part No	Qty	Description	Note
--	7059070		ASSEMBLY, Transmission	Was 57291 (Includes 1 thru 31)
1	7092062	3	NUT, 5/16-24 Hex Lock	Was 11201
2	7011132		WASHER, Spring	
3	7019213		PULLEY, Poly-Vee Belt	Was 12109
4	7011724		WASHER, Spring	
5	7051908		HOUSING ASSEMBLY, Right	Was 57290 (Includes 6,7,8,9,10)
6	7051908		HOUSING, Right Side	Was 18512
7	7014155		SCREW, 5/16-24 x 1-1/8 Rib Neck	
8	7012314	2	SEAL, 5/8" ID	
9	7012507	2	BEARING, Differential	
10	7073963		BEARING, Ball	Was 11767
11	7016544		PLUG, Housing	Was 11133
12	7050767		GEAR, Input	
13	7050830		AXLE, Short	
14	7012495		GEAR, Differential, 46 Tooth	(Included In Kit, Transmission Gear, P/N 6-0337)
15	7031970	2	PLATE	(Included In Kit, Transmission Gear, P/N 6-0337)
16	7031965	2	WASHER, Thrust	(Included In Kit, Transmission Gear, P/N 6-0337)
17	7090557	4	SCREW, 10-32 x 1-1/2" Hex Head Cap	(Included In Kit, Transmission Gear, P/N 6-0337)
18	7090303		NUT, 1/4-28 Hex Lock	
19	7090189		WASHER, 5/16" Internal External Tooth Lock	
20	7040474		BRACKET, Differential	
21	7090552	4	SCREW, 1/4-28 x 1-3/8 Hex Head Cap	
22	7012543		SPACER, Axle Gear	(Included In Kit, Transmission Gear, P/N 6-0337)
23	7050831		AXLE, Long	
24	7021115	4	GEAR, Pinion, 12 Tooth	(Included In Kit, Transmission Gear, P/N 6-0337)
25	7012500	4	SPACER, Pinion Gear	(Included In Kit, Transmission Gear, P/N 6-0337)
26	7011110	4	SHAFT, Pinion	(Included In Kit, Transmission Gear, P/N 6-0337)
27	7090376	4	NUT, 10-32 Hex Lock	(Included In Kit, Transmission Gear, P/N 6-0337)
28	7011774		GASKET, Housing	
29	7012512	2	PIN, 3/8-7/16" Roll	
30	7053939		HOUSING ASSEMBLY, Left	Was 57245 (Includes 8,9,31)
31	7018216		HOUSING, Left Side	
--	7060337		KIT, Transmission Gear	(Includes items 14 thru 17 & 22 & 24 thru 27)

Footnotes:

Transmission (Differential) ('89 Models & Later)

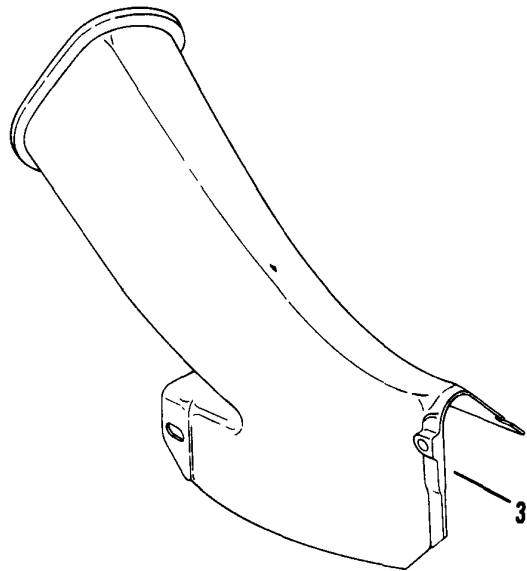


Transmission (Differential) ('89 Models & Later)

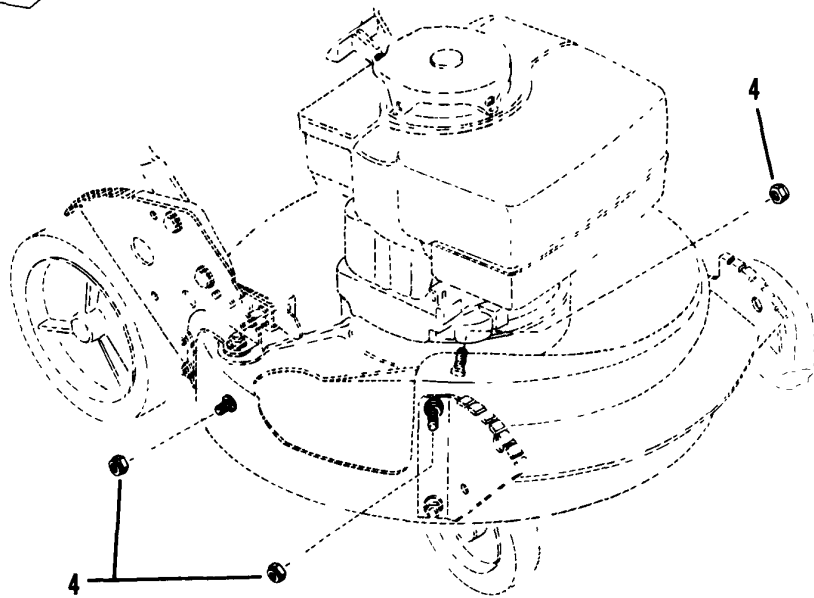
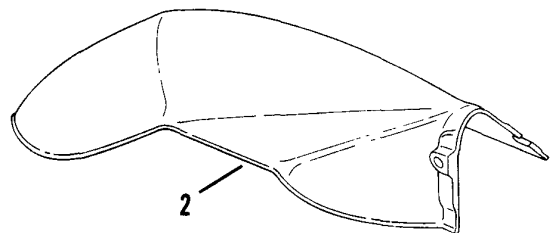
Item	Part No	Qty	Description	Note
--	7059070		ASSEMBLY, Transmission	<i>Was 57525 (Includes 1 thru 29)</i>
1	7092062	3	NUT, 5/16-24 Hex Lock, GR C	<i>Was 11201</i>
2	7011132		WASHER, Spring	
3	7019213		PULLEY, Poly-Vee Belt	<i>Was 12109</i>
4	7011724		WASHER, Spring	
5	7051908		HOUSING ASSEMBLY, Right	<i>Was 57522 (Includes 6,7,8,9,10)</i>
6	7017014		HOUSING, Right Side	
7	7014155	2	SCREW, 5/16-24 x 1-1/8" Rib Neck	
8	7012314	2	SEAL, 5/8" ID	
9	7012507	2	BEARING, Differential	
10	7073963		BEARING, Ball	<i>Was 11767</i>
11	7016544		PLUG, Housing	<i>Was 11133</i>
12	7050767		GEAR, Input	
13	7050830		AXLE, Short	
14	7012495		GEAR, Differential, 46 Tooth	
15	7031970	2	PLATE	
16	7031965	2	WASHER, Thrust	
17	7090557	4	SCREW, Cap, 10-32 x 1-1/2"	
18	7011774		GASKET, Housing	
19	7090189		WASHER, 5/16" Internal External Tooth Lock	
20	7040474		BRACKET, Differential	
21	7090911	4	SCREW, 1/4-20 x 1-1/4 Self-Tapping	
22	7012543		SPACER, Axle Gear	
23	7050831		AXLE, Long	
24	7021115	4	GEAR, Pinion, 12 Tooth	
25	7012500	4	SPACER, Pinion Gear	
26	7011110	4	SHAFT, Pinion	
27	7090376	4	LOCKNUT, 10-32	
28	7053939		HOUSING ASSEMBLY, Left	<i>Was 57523 (Includes 8, 9 & 29)</i>
29	7057634		HOUSING, Left Side	<i>Was 17015</i>

Footnotes:

Side Chute, Adapter



① (KIT, Side Chute)

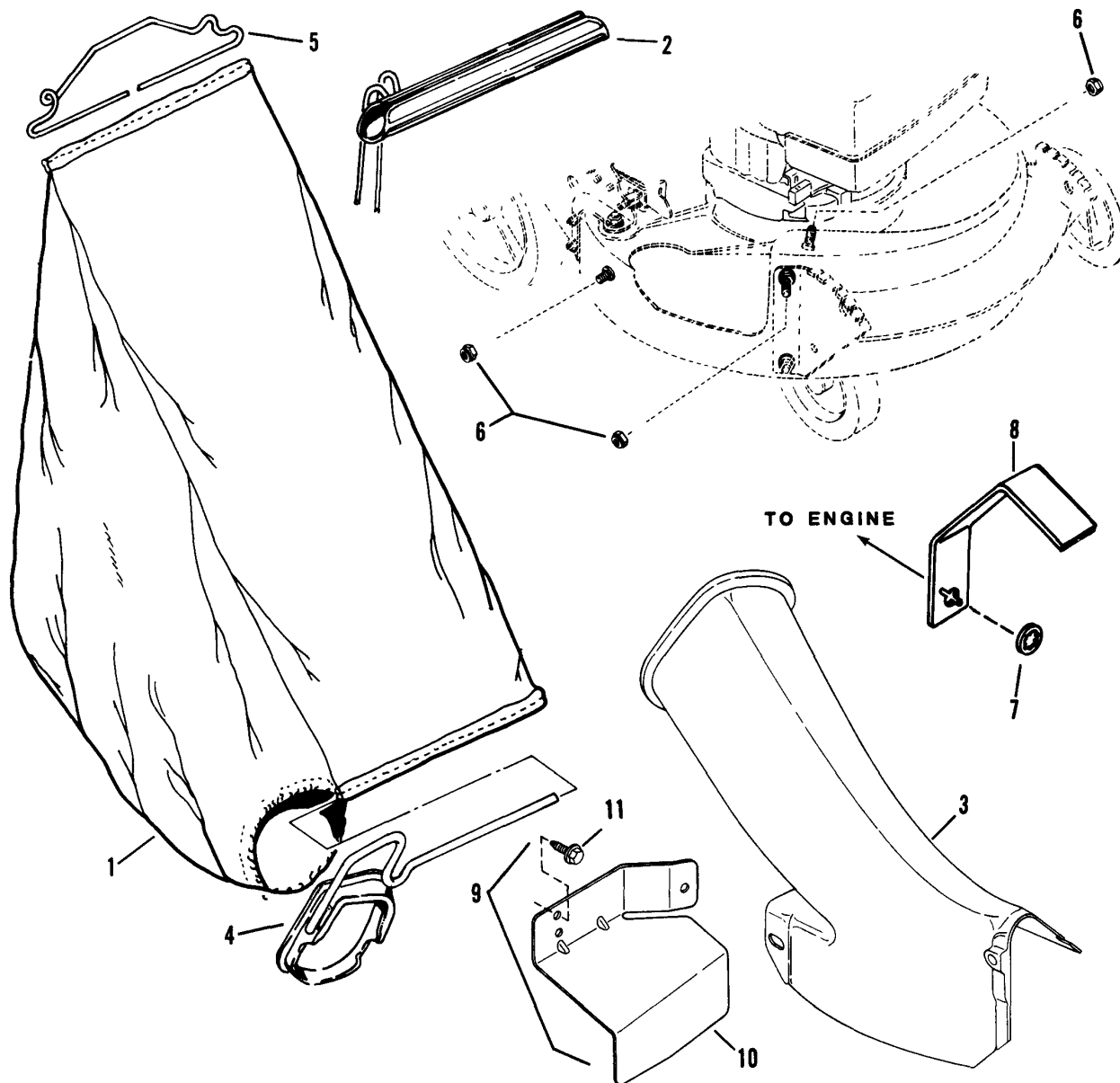


Side Chute, Adapter

Item	Part No	Qty	Description	Note
1	--		KIT, Side Chute	<i>Was 60542 and includes ten of item 2</i>
2	7042965		CHUTE, Side	<i>Was 19953</i>
3	7016027		ADAPTER, Grass Bag Deck (Replaces 1-9942)	<i>Was 19942 or 16027</i>
4	7090951	3	NUT, 5/16-18 Hex Flange Lock	

Footnotes:

Grass Catcher



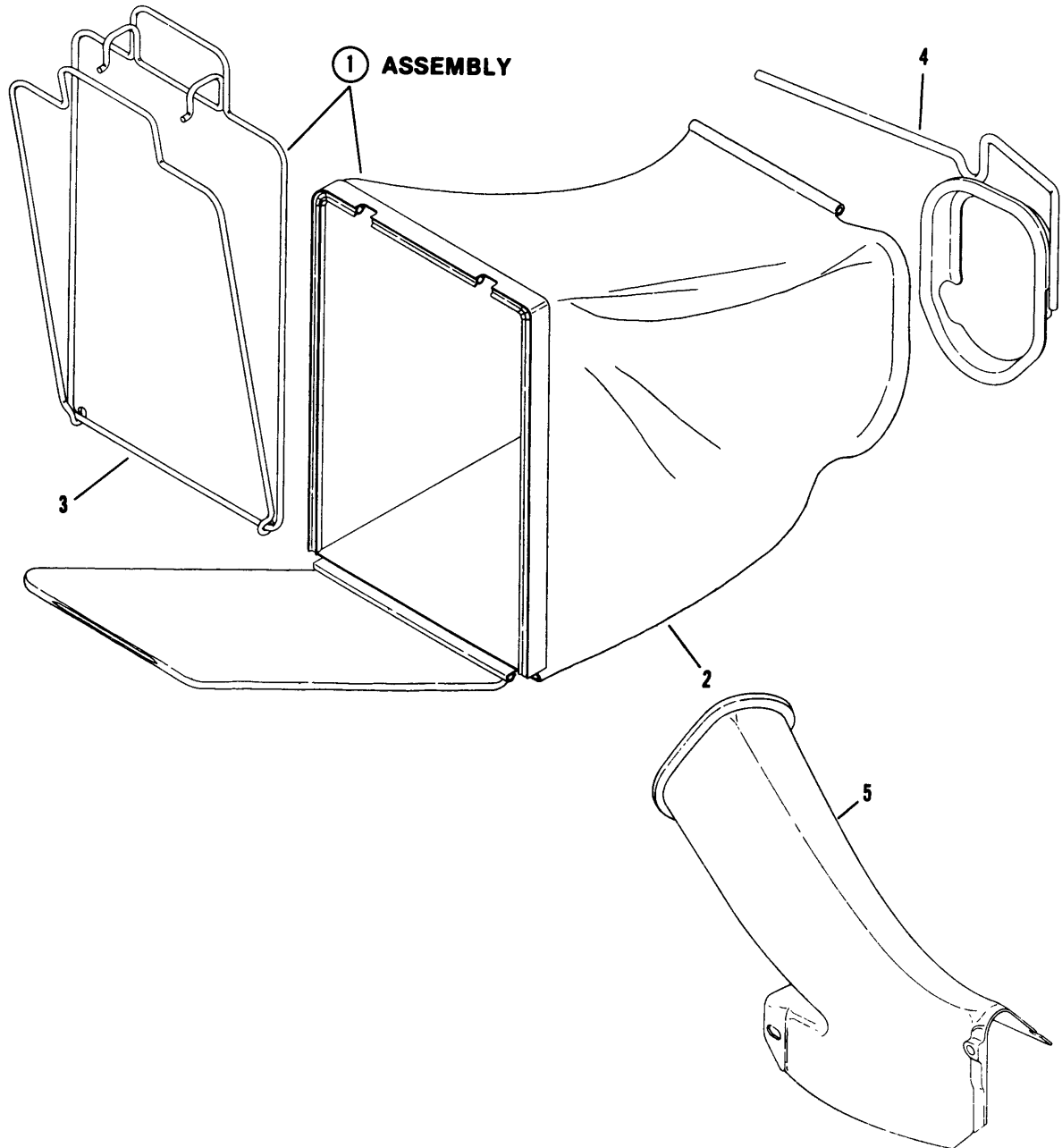
Grass Catcher

Item	Part No	Qty	Description	Note
--	7060791		KIT, Grass Catcher	<i>(Includes items 1 thru 5)(Replaces Kit 6-0354)</i>
1	7074734		BAG, Grass	<i>Was 12320</i>
2	7050711		ASSEMBLY, Rope & Slider	
3	7016027		ADAPTER, Bag (Replaces #1-9942)	
4	7047876		CONNECTOR, Bag	
5	7019247		WIRE, Bag Connector	<i>Was 31128</i>
6	7090951	3	NUT, 5/16-18 Hex Flange Lock	
7	7090457		WASHER, 1" internal Tooth Lock (used with item 8)	
8	7038391		SHIELD, Exhaust Heat ('88 Models & Earlier)	<i>Was 37351</i>
9	7038391		KIT, Exhaust Shield	<i>Was 60866 (Includes 10 & 11)</i>
10	7038391		SHIELD, Exhaust Heat ('89 Models & Later)	
11	7090531	3	SCREW, #10-16 x 1/2" Self-Tapping	

Footnotes:

NOTE: ITEMS 7 & 8 Required on B&S 3.5 & 4 HP Engines-'88 & earlier models

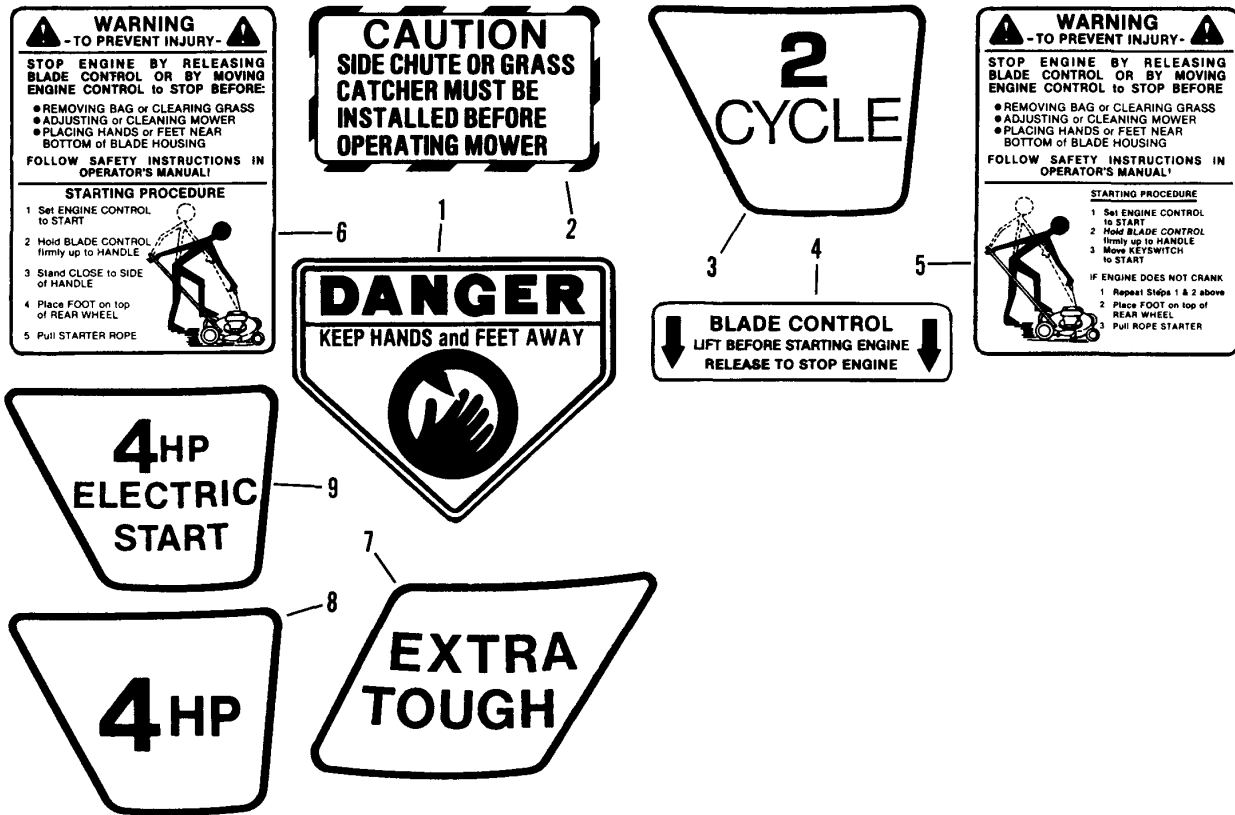
NOTE: Items 9, 10, 11 required on B&S 3.5 & 4 HP Engines-'89 & later models



Grass Bag

Item	Part No	Qty	Description	Note
--	7061153		KIT, KWIK-N-EZY Catcher	<i>Was 60856 (Includes 1 thru 5)</i>
1	7051583		ASSEMBLY, Grass Bag	<i>(Incl. items 2 and 3)</i>
2	7016005		BAG, KWIK-N-EZY	
3	7051889		ASSEMBLY, Bag Wire	<i>Was 51577</i>
4	7047876		CONNECTOR, Grass Bag	
5	7016027		ADAPTER, Bag	

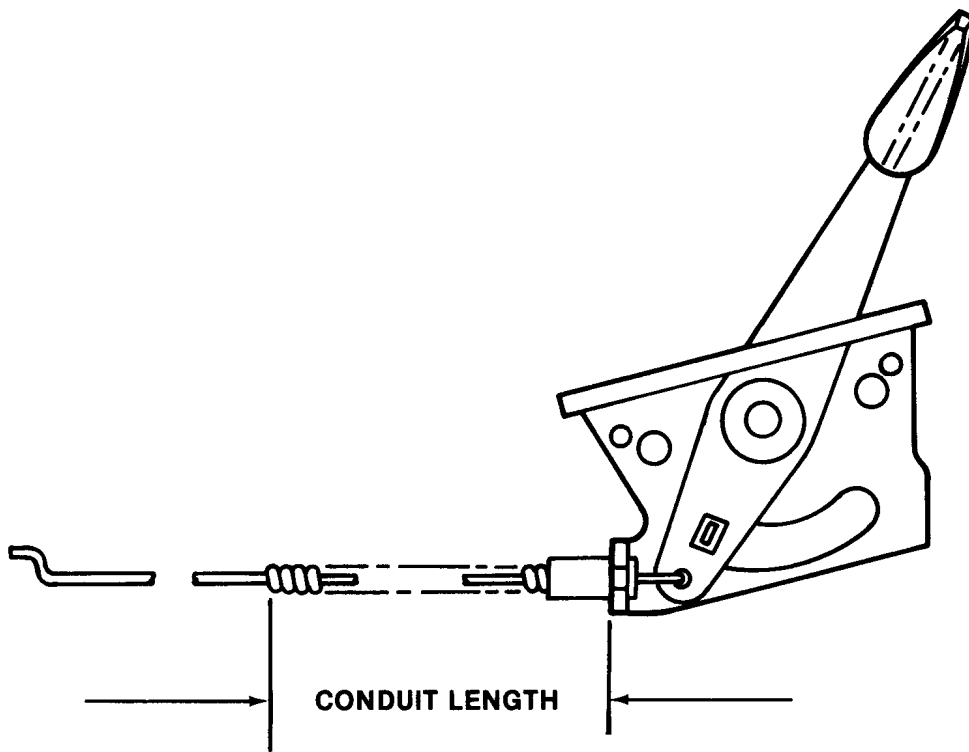
Footnotes:



Decals

Item	Part No	Qty	Description	Note
1	7013010		DECAL, Danger	
2	7013312		DECAL, Caution	
3	--		DECAL, 2-cycle	<i>No longer available</i>
4	--		DECAL, Blade Control	<i>No longer available</i>
5	7016191		DECAL, Electric Start	<i>Was 14348</i>
6	7023870		DECAL, Manual Start	<i>Was 14345</i>
7	7015026		DECAL, Extra Tough	
8	7015024		DECAL, 4 H.P.	
9	7015025		DECAL, 4 H.P. Electric Start	

Footnotes:

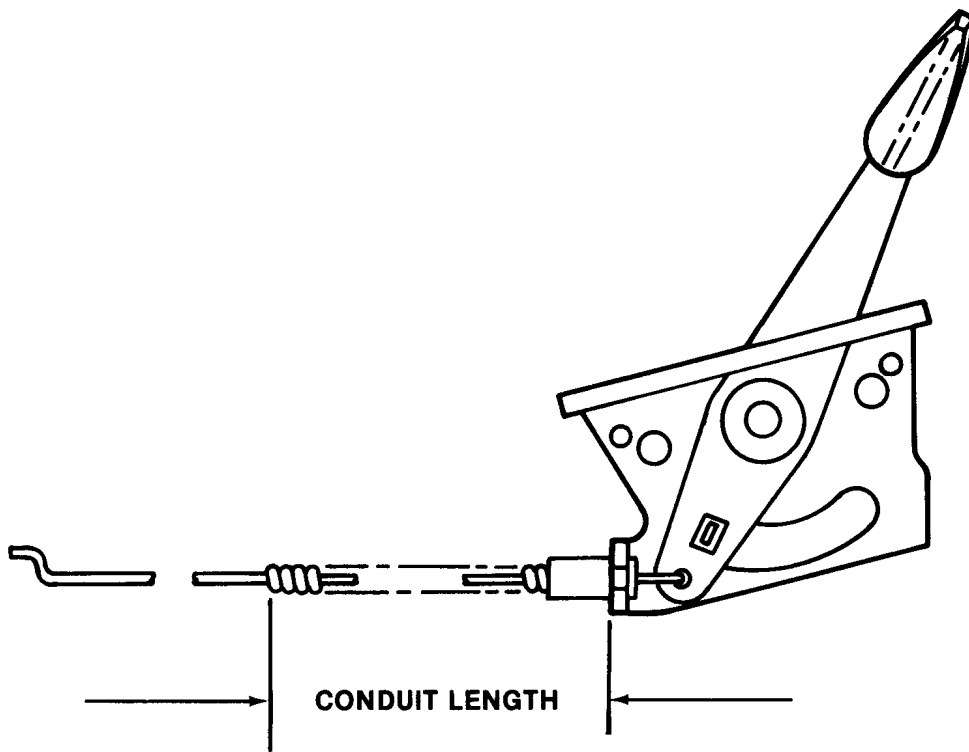


Throttle Controls & Engine Specs

Item	Part No	Qty	Description	Note
1	7015175		CONTROL, Throttle (Briggs 4 cycle, 45.25")	Was 18758, 18850, or 60916
1	7018186		CONTROL, Throttle (Briggs 4 cycle, 46.5")	
1	7015635		CONTROL, Throttle (Tecumseh 2 cycle, 62.0")	
1	7018187		CONTROL, Throttle (Tecumseh 4 cycle, 42.5")	
1	7015767		CONTROL, Throttle (Tecumseh 4 cycle, 44.5")	
1	7018839		CONTROL, Throttle (Robin 4 cycle, 40.75")	
1	7018840		CONTROL, Throttle (Robin 2 cycle, 42.75")	
2	--		ENGINE, Briggs (Model 90702-3080-01) 3.5 HP	
2	--		ENGINE, Briggs (Model 90702-3105-01) 3.5 HP	
2	--		ENGINE, Briggs (Model 92902-3176-01) 3.5 HP	
2	--		ENGINE, Briggs (Model 92902-3271-01) 3.5 HP	
2	--		ENGINE, Briggs (Model 92902-3912-01) 3.5 HP	
2	--		ENGINE, Briggs (Model 92902-3914-01) 3.5 HP	
2	--		ENGINE, Briggs (Model 110902-3189-01) 4 HP	
2	--		ENGINE, Briggs (Model 110902-3911-01) 4 HP	
2	--		ENGINE, Briggs (Model 110902-3914-01) 4 HP	
2	--		ENGINE, Briggs (Model 110907-3913-01) 4 HP Electric Start	
2	--		ENGINE, Briggs (Model 111702-3047-01) 4 HP	
2	--		ENGINE, Briggs (Model 111702-3057-01) 4 HP	
2	--		ENGINE, Briggs (Model 111707-3048-01) 4 HP Electric Start	
2	--		ENGINE, Briggs (Model 111707-3058-01) 4 HP Electric Start	
2	--		ENGINE, Briggs (Model 114702-3030-01) 4 HP IC	
2	--		ENGINE, Briggs (Model 114702-3031-01) 4 HP IC Electric Start	
2	--		ENGINE, Briggs (Model 114707-3031-01) 4 HP XL	
2	--		ENGINE, Briggs (Model 114902-3137-01) 4 HP	
2	--		ENGINE, Briggs (Model 114902-3150-01) 4 HP IC	
2	--		ENGINE, Briggs (Model 114902-3156-01) 4 HP	
2	--		ENGINE, Briggs (Model 131922-0169-01) 4 HP IC	
2	--		ENGINE, Briggs (Model 96722-3206-01) 4 HP 2 Cycle	
2	--		ENGINE, Tecumseh (Model TVS90-43179D) 3.5 HP	
2	--		ENGINE, Tecumseh (Model TVS90-43180D) 3.5 HP Electric Start	
2	--		ENGINE, Tecumseh (Model TVS90-43248D) 3.5 HP	
2	--		ENGINE, Tecumseh (Model TVS90-43249D) 3.5 HP Electric Start	
2	--		ENGINE, Tecumseh (Model TVS105-53069D) 4 HP	
2	--		ENGINE, Tecumseh (Model TVS105-53072D) 4 HP	
2	--		ENGINE, Tecumseh (Model TVS105-53072E) 4 HP	
2	--		ENGINE, Tecumseh (Model TVS105-53073D) 4 HP Electric Start	

Footnotes:

NOTE: Purchase engine parts from engine manufacturer dealer.



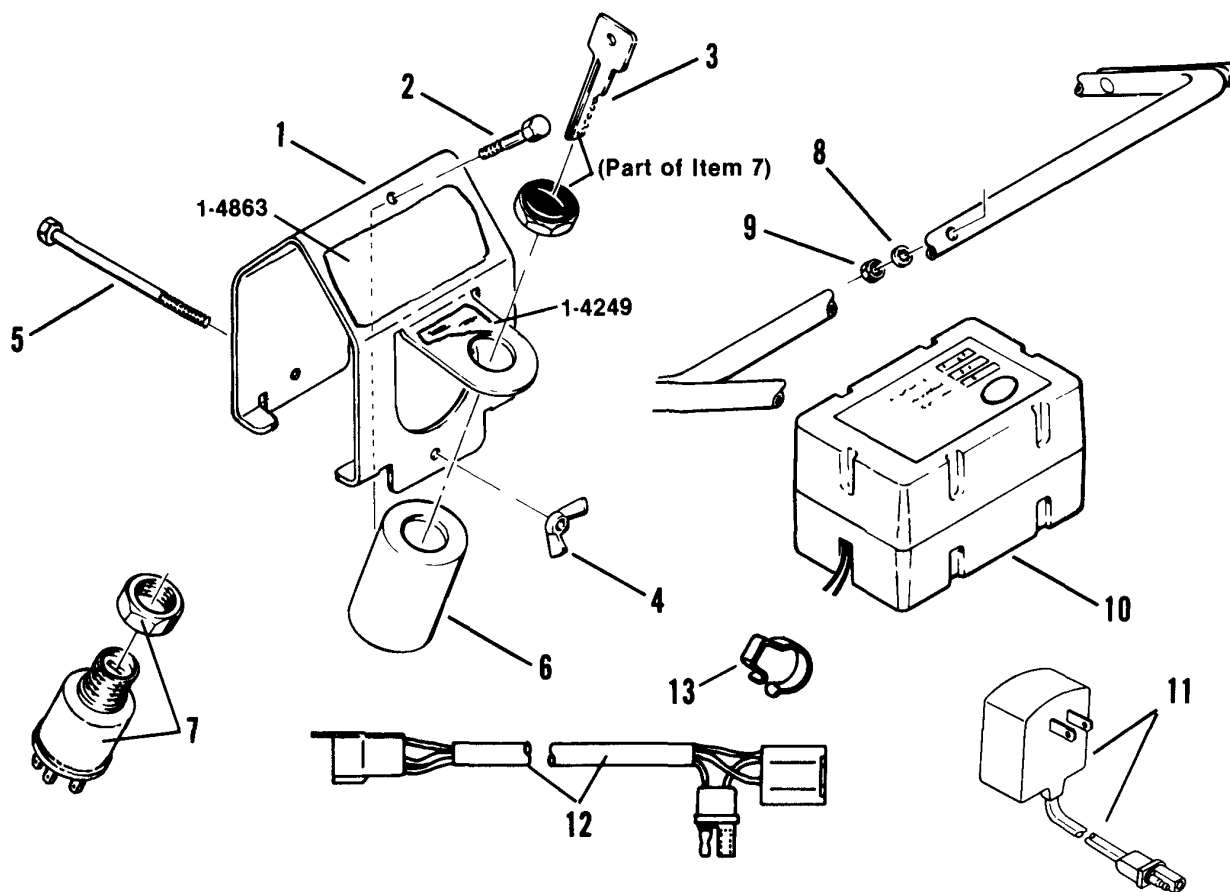
Throttle Controls & Engine Specs

Item	Part No	Qty	Description	Note
2	--		ENGINE, Tecumseh (Model TVS105-53105F) 4 HP Electric Start	
2	--		ENGINE, Tecumseh (Model TVS105XL-54018B) 4 HP Electric Start	
2	--		ENGINE, Tecumseh (Model TVS105XL-54018C) 4 HP Electric Start	
2	--		ENGINE, Tecumseh (Model TVXL105-54022B) 4 HP	
2	--		ENGINE, Tecumseh (Model TVS840-8011A) 4 HP 2 Cycle	
2	--		ENGINE, Tecumseh (Model TVS840-8011B) 4 HP 2 Cycle	
2	--		ENGINE, Robin (Model W1-145V) 4 HP	
2	--		ENGINE, Robin (Model W1-185V) 4 HP	
2	--		ENGINE, Robin (Model WT1-125V) 4 HP 2 Cycle	

Footnotes:

NOTE: Purchase engine parts from engine manufacturer dealer.

Electric Start ('84 Models & Earlier)



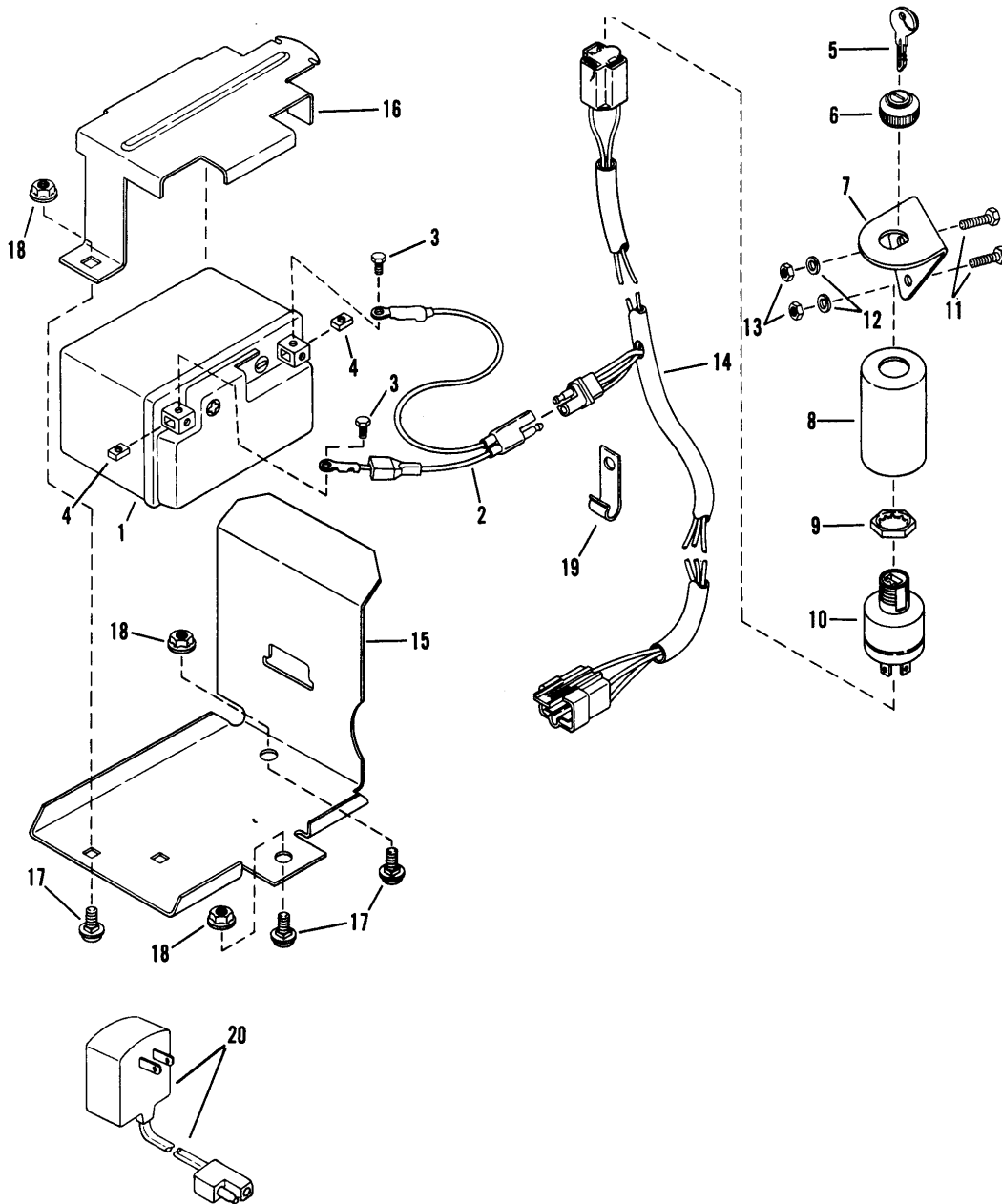
Electric Start ('84 Models & Earlier)

Item	Part No	Qty	Description	Note
--	--		KIT, Electric Start	<i>(Includes items 1 thru 10) ('84 Models & Earlier)</i>
1	7057303		ASSEMBLY, Bracket	<i>(Includes Decals 1-4249 & 1-4863)</i>
2	7090552		SCREW, 1/4-28 x 1 3/8" Hex Head Cap	
3	7011167		KEY (Set of 2)	
4	7090098		NUT, 1/4-28 Wing	
5	7090487		SCREW, 1/4-28 x 3 1/4" Hex Head Cap	
6	7012551		COVER, Switch	
7	7011139		SWITCH, Ignition	<i>(Includes items 3 & 13)</i>
8	7090053		WASHER, 1/4 Internal Tooth Lock	
9	7090095		NUT, 1/4-28 Hex	
10	7018215		BATTERY, 12 Volt, 2.5 AMP	
11	7061188		CHARGER, Battery (60 Hertz) ('86 & Earlier Models)	
12	7018576		HARNESS, Wiring (Complete with Terminals)	
13	7023813		CLIP, Wiring Harness	<i>Was 14374</i>

Footnotes:

Note: 60547 Kit is no longer available

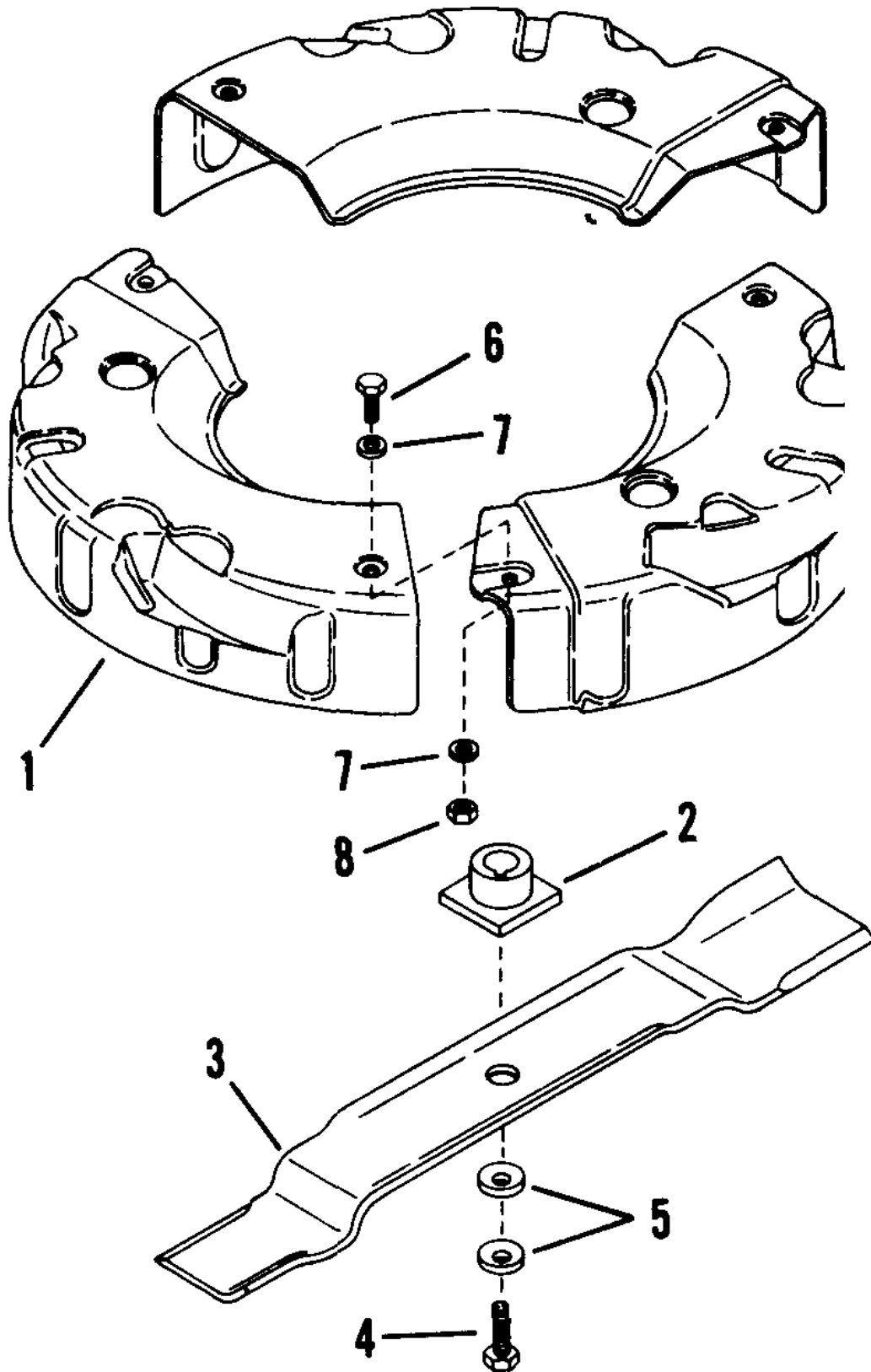
Electric Start ('85 Models & Later)



Electric Start ('85 Models & Later)

Item	Part No	Qty	Description	Note
--	7067012		KIT, Battery	<i>(Includes items 1,2,3,& 4)(Replaces 6-7011)</i>
1	7067012		BATTERY, 12 Volt	<i>Was 19763</i>
2	7015488		HARNESS, Battery (For '88 & earlier, use with item 21)	
3	7043977	2	SCREW, #10-24 x 1/2" Hex Head Cap	
4	7090932	2	NUT, #10-24 Square	
--			ASSEMBLY, Switch/Bracket	<i>No longer available</i>
5	7011167		KEY, (Set of 2)	
6	7015207		ASSEMBLY, Seal & Face Nut	
7	7038485		BRACKET, Ignition Switch	<i>Was 38179</i>
8	7012551		COVER, Switch	
9	7015206		NUT, 3/4-20 Lock	
10	7011139		SWITCH, Ignition	<i>Was 15205</i>
11	7090552	2	SCREW, 1/4-28 x 1 3/8 Hex Head Cap	
12	7090053	2	WASHER, 1/4 Internal Tooth Lock	
13	7090095	2	NUT, 1/4-28 Hex	
14	7018833		HARNESS, Wiring (For '88 & earlier, use with item 21)	
15	7036002		BRACKET, Battery (Self-Propelled Models)('88 & earlier)	
	7036002		BRACKET, Battery (Push Models)	<i>Was 36131</i>
	7032906		BRACKET, Battery (Self-Propelled Models) ('89 Models & Later)	<i>Was 36250</i>
16	7036129		COVER, Battery (Self-Propelled Models)	
	7036132		COVER, Battery (Push Models)	
17	7090731	3	BOLT, 5/16-18 x 1 1/2" Carriage	
18	7091601	3	NUT, 5/16-18 Hex Flange Lock	<i>Was 90585</i>
19	7012652		CLIP, Wiring	
20	7061188		CHARGER, Battery (60 Hertz) ('86 & Earlier Models)	<i>Was 11789</i>
	7061188		CHARGER, Battery (60 Hertz) ('88 Models & Later)	<i>Was 18834</i>
21	7015921		ADAPTER, Wiring to Battery Harness	<i>(Required for '88 & earlier); (Not shown)</i>

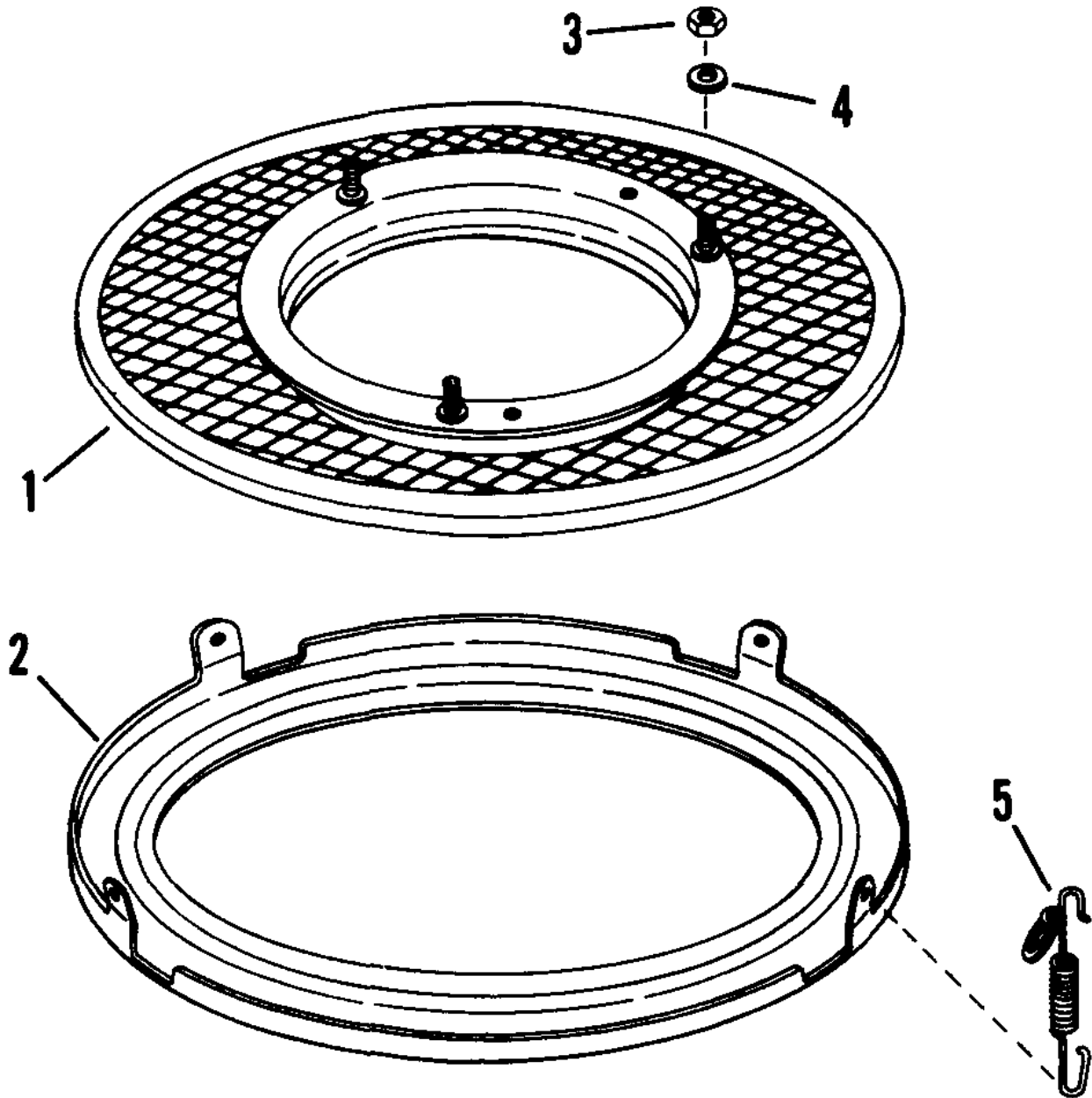
Footnotes:



Mulcherizer

Item	Part No	Qty	Description	Note
--	--		KIT, Mulcherizer	<i>Was 60842 No longer available</i>
--	7061200		KIT, Mulcherizer	<i>Was 60420 (Includes 1 thru 8)</i>
1	7019814	3	LINER	
2	7013870		HUB, 7/8" I.D.	
	7015936		HUB (25mm I.D.)	
3	7019521		BLADE, Mulcherizer	
4	7090483		SCREW, 3/8-24 x 1 3/4" Hex Head Cap (Gr.5)	
5	7012063	2	WASHER, Cone	
6	7090100	3	SCREW, 1/4-28 x 5/8" Hex Head Cap (Gr.5)	
7	7091294	6	WASHER, 1/4 Flat	<i>Was 90055</i>
8	7090303	3	NUT, 1/4-28 Hex Lock	

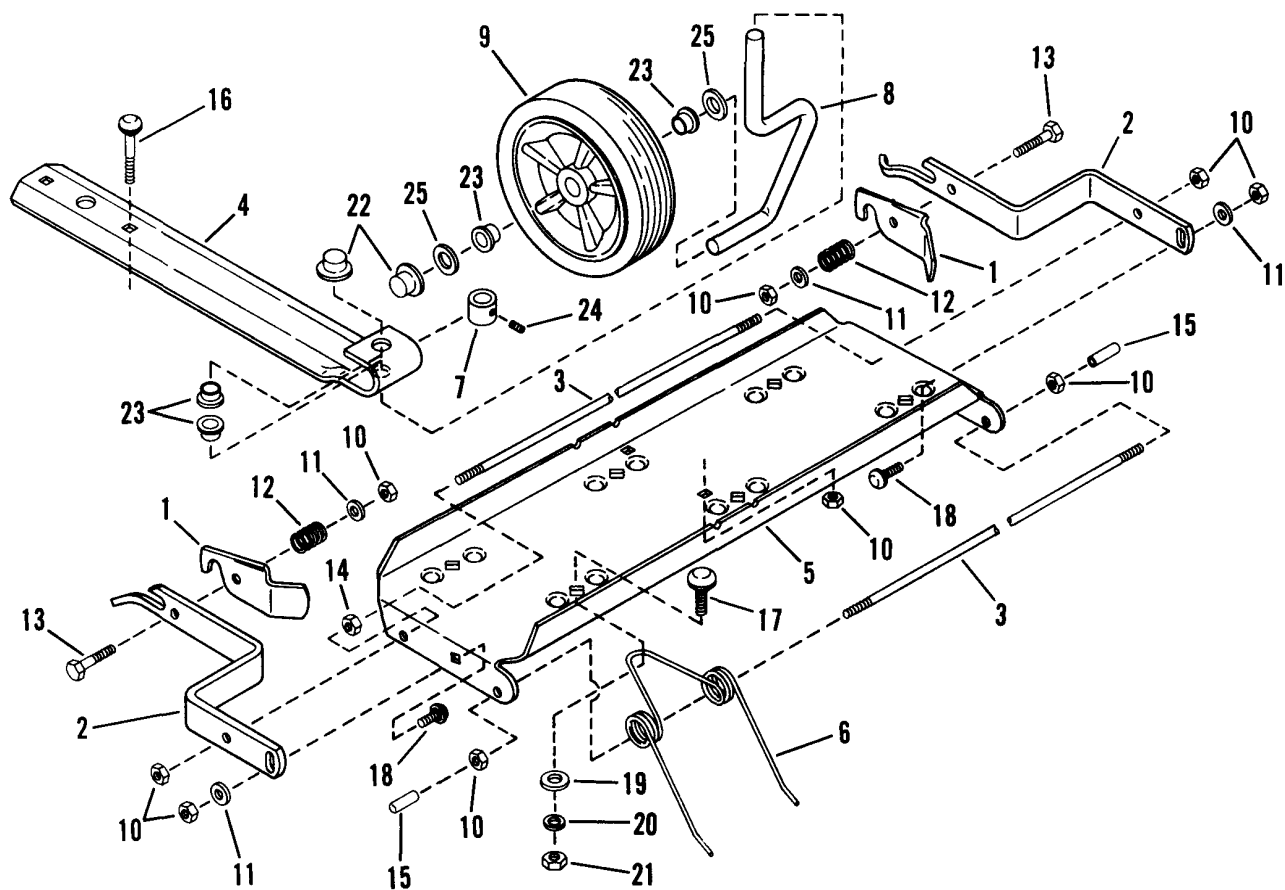
Footnotes:



Snapperizer

Item	Part No	Qty	Description	Note
--	7060440		KIT, Snapperizer	<i>(Includes items 1 thru 5)</i>
1	7051243		SCREEN, Fastener Assembly	
2	7039759		RING, Bottom	
3	7091297	3	NUT, 5/16-24 Hex	<i>Was 90223</i>
4	7090187	3	WASHER, 5/16 Split Lock	
5	7012587	3	SPRING	

Footnotes:



Thatcherizer

Item	Part No	Qty	Description	Note
	7061256		KIT, Thatcherizer	Was 60476 (Includes 1 thru 27)
1	7014113	2	LATCH, Frame Attachment	
2A	7060965		BAR, Mount (Right Hand)	Was 18497
2B	7018498		BAR Mount (Left Hand)	
3	7018499	2	ROD, Tine	
4	7018700		SUPPORT, Wheel	
5	7019948		TRAY, Tine	
6	7018496	6	SPRING, Tine Thatching	In Hardware Bag, # 6-0574
7	7014100		BUSHING, Wheel Adj.	(Included In Hardware Bag, P/N 6-0555)
8	7018493		AXLE, Wheel	
9	7018189		WHEEL, Gage 7 x 1.50	
10	7091705	10	LOCKNUT, 1/4-20 Hex	Was 90761, In Hardware Bag, # 6-0554
11	7091098	4	WASHER, 1/4 SAE	Was 90598, In Hardware Bag, # 6-0554
12	7014114	2	SPRING, Compression	(Included In Hardware Bag, P/N 6-0555)
13	7090825	2	BOLT, 1/4-20 x 1-1/4 Hex	In Hardware Bag, 6-0554
14	7091576	2	NUT, 1/4-20 Hex	Was 90063, In Hardware Bag, # 6-0554
15	7014111	2	CAP, Vinyl	(Included In Hardware Bag, P/N 6-0555)
16	7090015	2	BOLT, 1/4-20 x 1-3/4 Carriage	In Hardware Bag, 6-0554
17	7091303	6	BOLT, 5/16-18 x 1 Carriage	Was 90383, In Hardware Bag, # 6-0554
18	7091530	2	BOLT, 1/4-20 x 3/4 Carriage	Was 90074, In Hardware Bag, # 6-0554
19	7014098	6	WASHER, Reinforcing	In Hardware Bag # 6-0554
20	7090187	6	LOCKWASHER, 5/16	In Hardware Bag # 6-0554
21	7091511	6	NUT, 5/16-18 Hex	Was 90196, In Hardware Bag # 6-0554
22	7014101	2	PUSH NUT, 1/2	In Hardware Bag, # 6-0555
23	7014342	4	BEARING, Nyliner	In Hardware Bag, # 6-0555
24	7014103		SETSCREW, 5/16 x 1/4	In Hardware Bag, # 6-0555
25	7090250	2	WASHER, 1/2	In Hardware Bag # 6-0554
26	7014115		DECAL, Adjustment	(Not Shown)
27	7014062		DECAL, Thatcherizer	(Not Shown)
	7060554		Hardware Bag	(Includes Ref. Nos. 10, 11, 13, 14, 16, 17, 18, 19, 20, 21 & 25)
	7060555		Hardware Bag	(Includes Ref. Nos. 7, 12, 15, 22, 23 & 24)
	7018496		Hardware Bag (6 Spring In Bag)	Was 60574 (Includes Ref. No. 6)

Footnotes:

Parts Manual for

SNAPPER®

**21" STEEL DECK WALK MOWERS
(1982 to 1989)
SERIES 1 & 5**

IT IS THE POLICY OF SNAPPER TO IMPROVE ITS PRODUCTS
WHENEVER IT IS POSSIBLE AND PRACTICAL TO DO SO. WE
RESERVE THE RIGHT TO MAKE CHANGES OR ADD IMPROVEMENTS
AT ANY TIME WITHOUT INCURRING ANY OBLIGATION TO MAKE
SUCH CHANGES ON PRODUCTS MANUFACTURED PREVIOUSLY.

SNAPPER® McDonough, GA, 30253 U.S.A.