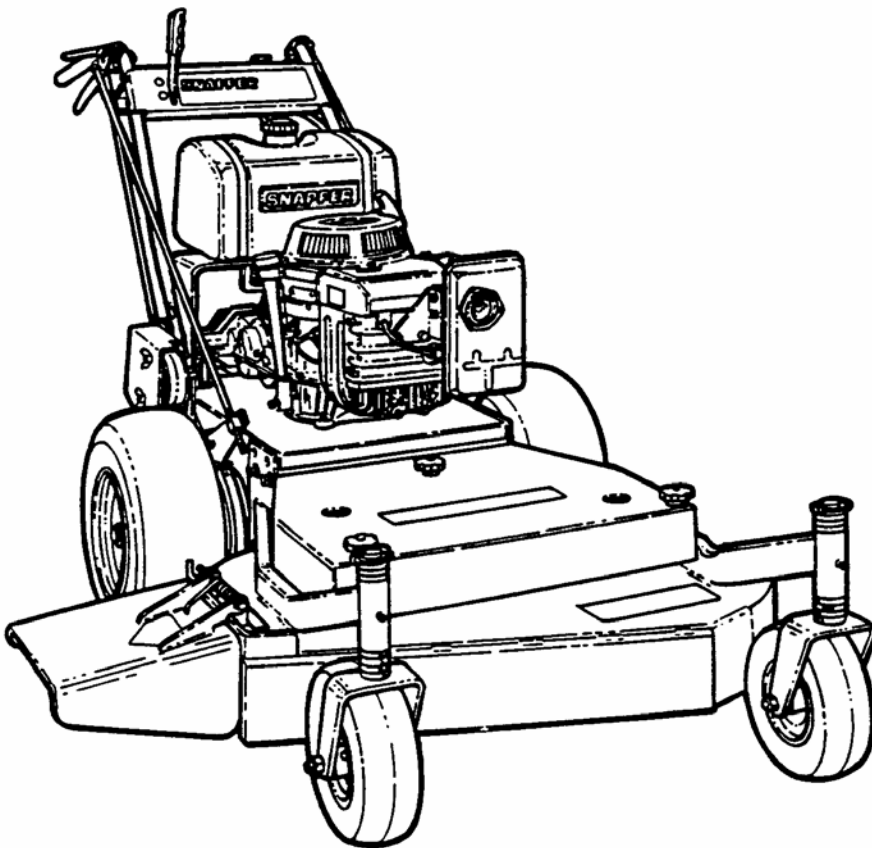


*Parts Manual for*  
**SNAPPER®**

**COMMERCIAL WALK-BEHIND  
ACCESSORIES**



IT IS THE POLICY OF SNAPPER TO IMPROVE ITS PRODUCTS WHENEVER IT IS POSSIBLE AND PRACTICAL TO DO SO. WE RESERVE THE RIGHT TO MAKE CHANGES OR ADD IMPROVEMENTS AT ANY TIME WITHOUT INCURRING ANY OBLIGATION TO MAKE SUCH CHANGES ON PRODUCTS MANUFACTURED PREVIOUSLY.

**SNAPPER**®McDonough, GA., 30253 U.S.A.

# CONTENTS

## COMMERCIAL WALK-BEHIND MODEL IDENTIFICATION

Positive identification of the machine will be necessary. Identify the machine with the model number to insure the correct kit is used for that model. The series number or letter of the model number is used in this manual to match the correct kit with the correct model. Refer to Owner's Manual for correct Series number.

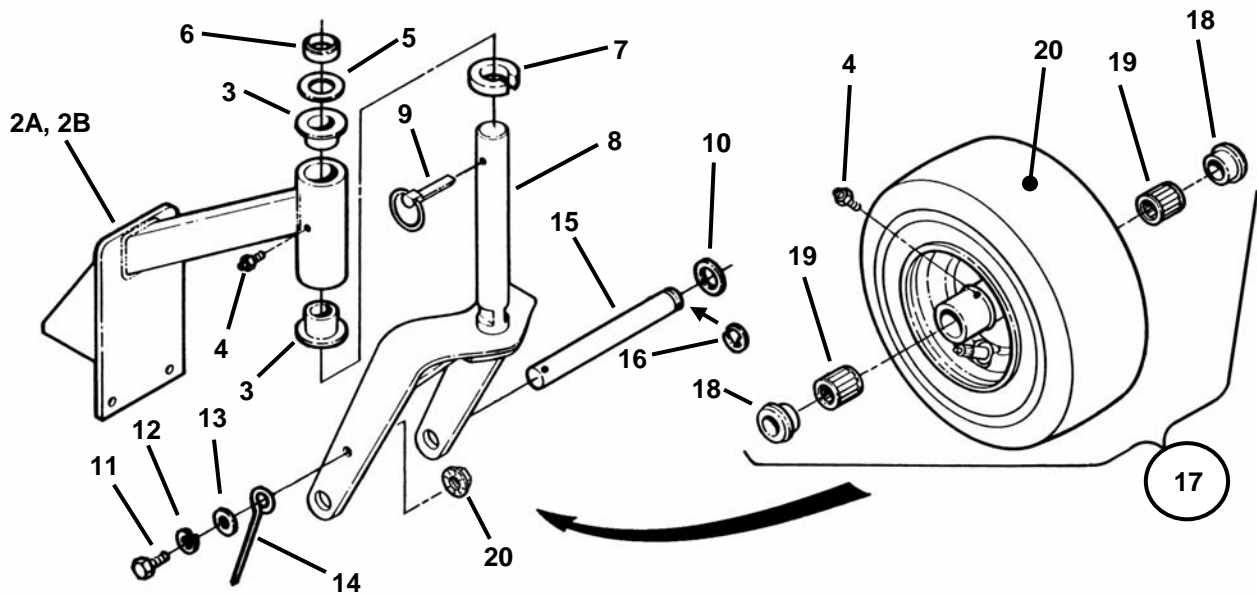
KIT No.	DESCRIPTION	PAGE
<b>Caster Wheels</b>		
6-1004	Wheels, Caster (36" Pro Mid Size).....	4
6-1005	Wheels, Caster (48", 52" & 61" Pro Mid Size).....	4
6-1097	Wheels, Caster (PRO 736, PRO 748 & PRO 752).....	5
6-0800	Quick Height Adjustment, (Caster) (Semi-pneumatic) .....	6
6-0801	Quick Height Adjustment, (Caster) (Pneumatic) .....	7
6-1300	Roller, Corner (PRO 736 & PRO 748) .....	8
<b>Ballast/Weights</b>		
6-1194	Ballast, Front (for Sulky) (PRO 736).....	9
6-1195	Ballast, Front (for Sulky) (PRO 748).....	9
6-3048	Ballast, Front (PRO 36) .....	10
6-3091	Ballast, Front (PRO Express 48" Deck).....	11
<b>Dual-Wheel Conversion</b>		
6-0803	Dual Wheel Conversion (PRO Gear Drive w/bolt-in axles).....	12
6-0804	Dual Wheel Conversion, complete (PRO Gear Drive w/bolt-in axles).....	13
6-0937	Dual Traction Belt (PRO 36 & PRO 48 Hydro).....	14
6-1001	Traction Idler .....	15
<b>Sulky</b>		
6-3080	Sulky, Stand/Sit (PRO Walk-Behind).....	16 & 17
6-1176	Sulky, PRO 7 (PRO 7 Gear & Hydro) .....	18
6-0848	Sulky, Riding .....	19
6-0799	Sulky, Riding (Kees Kit# 361700) .....	20
Note 1	Sulky, Riding (Kees Kit# 601700) .....	21
<b>Bagger Kits</b>		
6-0798	Grass Catcher w/Hopper (32, 36 & 48" Commercial Mowers, Kees Kit# 361502) .....	23
6-1105	Grass Catcher, Hopper Replacement (32, 36 & 48" Commercial Mowers).....	24
6-3032	Grass Catcher Mount (PRO units with SP, SPA & SPE Decks) .....	25
6-3033	Grass Catcher, Cloth (PRO units with SP, SPA & SPE Decks) .....	26
6-3108	Grass Catcher, Cloth (PRO units with SP, SPA & SPE Decks) .....	26
6-1853	Grass Catcher Mount .....	27
6-1110	Grass Catcher Mount (PRO 700 Walk-Behind) .....	28
6-1111	Grass Catcher, Cloth (PRO 700 Walk-Behind; requires 6-1853).....	28
6-0835	Grass Catcher (Mid-Duty Walk-Behind).....	29
<b>Blade Kits</b>		
6-1976	Mulching, 32" Deck (PRO Mowers) .....	30
6-1977	Mulching, 36" Deck (PRO Mowers) .....	30
6-1220	Mulching, 41" Deck (PRO Mowers) .....	30
6-1978	Mulching, 48" Deck (PRO Mowers) .....	31
6-1979	Mulching, 52" Deck (PRO Mowers) .....	31
6-1885	Mulching, 61" Deck (PRO Mowers) .....	31
6-1218	Mulching, 36" Deck (PRO 736 Deck).....	32
6-1219	Mulching, 48" Deck (PRO 748 Deck).....	33

Note 1: No Snapper Kit; however individual parts may be obtained from Snapper.

# CONTENTS (continued)

KIT No.	DESCRIPTION	PAGE
<b>R. A. D. Kits</b>		
6-3002	Quick Hitch (PRO Gear, PRO Hydro & PRO 7 Series 4 Mid-Size).....	34
6-3005	46" Dozer Blade (PRO Gear & PRO Hydro Mid-Size) .....	35
6-3006	Debris Blower (PRO Gear, PRO Hydro & PRO 7 Series 4 Mid-Size) .....	36 thru 41
6-3007	47" Rotary Broom (PRO Gear, PRO Hydro & PRO 7 Series 4 Mid-Size).....	42 thru 47
6-3004	40" 2 Stage Snowblower (PRO Gear, PRO Hydro & PRO 7 Series 4 Mid-Size).....	48 thru 55
<b>Miscellaneous Kits</b>		
6-1868	Belt Tension Reduction (SPA360 Deck) .....	56
6-1205	Belt Alignment Improvement (PRO 736 and PRO 748) .....	56
6-1871	Engine Frame Brace (some SP360, SPA360 & SPA480 decks; see chart).....	57
6-1207	Backside Idler (PP71250KW) .....	58 & 59
6-1208	Backside Idler (PP7140KWV).....	60
6-1209	Backside Idler (PL71250KW) .....	60
6-1210	Backside Idler (PL7140KWV) .....	60
6-0802	Gas Tank Retrofit, 4 Gallon (Kees Kit #362080) .....	61
6-0896	Interlock Switch Update (PRO Mowers with 32", 36" or 48" decks) .....	62
6-3104	Belt Anti-Vibration (PRO Mowers with SP480 or SPA480 decks) .....	62
6-1783	Reverse Throttle Interlock (PRO 7 Series 1 & 2 Mowers).....	63
6-0899	Taperlock Pulley (PRO Mowers with 48" decks) .....	63
6-3136	Shift Arm Extension (Electric Start PRO Hydro Series 0).....	64
6-1077	Driven Disc Replacement (Mid-Duty Walk-Behind) .....	64
7-7288	Oil Filters (engine and hydraulic system) .....	65
6-0974	Battery (Electric Start Models).....	65
None	Exhaust Mufflers & Heat Shields (Various models) .....	66 & 67

## CASTER WHEEL ASSEMBLY

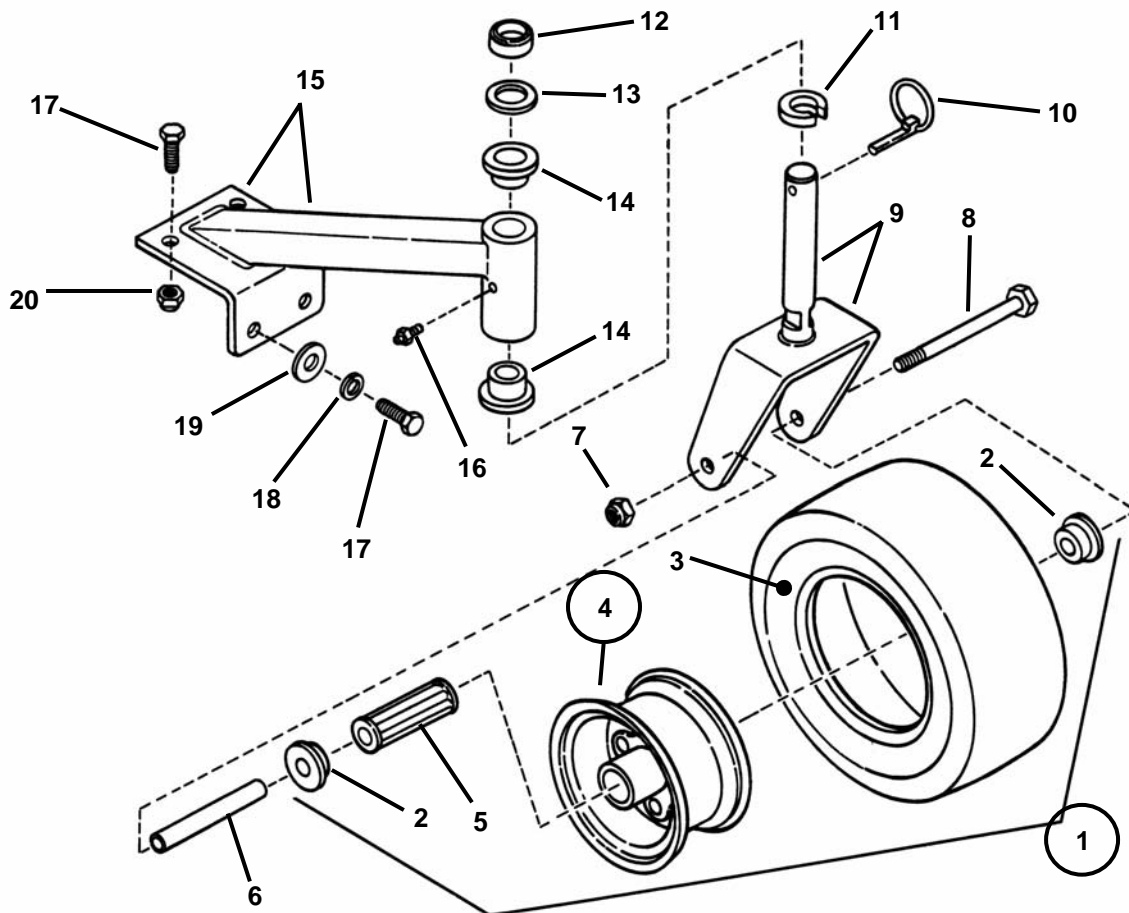


ITEM	PART NO.	DESCRIPTION
--	6-1004*	KIT, Caster (36" Deck only) (Incl. items 1A, 2A & 3 thru 22)
--	6-1005*	KIT, Caster (48/52/61" Decks) (Incl. items 1B, 2B & 3 thru 22)
1A	5-2086	ASSEMBLY, Caster (36" Deck only) (Incl. Items 2A, 3 & 4)
1B	5-2084	ASSEMBLY, Caster (48", 52" & 61" Decks) (Incl. Items 2B, 3 & 4)
2A	4-0678	SUPPORT, Caster (36" Deck only) (Incl. Items 3 & 4)
2B	4-9798	SUPPORT, Caster (48", 52' & 61" Decks) (Incl. Items 3 & 4)
3	2-3556	BUSHING, Flange (2)
4	7-6998	FITTING, 1/4-28, Straight Lube
5	2-3747	BUSHING, Machinery, 1"
6	2-1960	BUSHING
7	1-9152	SPACER, Caster
8	4-9805	WELDMENT, Caster Yoke
9	1-7711	PIN, 7/16" Lynch
10	9-1050	BUSHING, Machinery, 3/4"
11	9-0603	SCREW, 3/8-16 x 7/8", Hex Head, Grade 5
12	9-0118	WASHER, 3/8" Split Lock
13	9-0517	WASHER, 3/8" Flat
14	1-9289	MOUNT, caster Axle
15	1-6460	AXLE, Caster
16	1-2705	RING, 3/4" External Retaining
17	5-2085	ASSEMBLY, Wheel & Tire (Incl. Items 18, 19 & 20)
18	1-7786	BEARING, 3/4" Flange (2)
19	1-7785	BEARING, 3/4" x 1" Roller 92)
20	1-7784	TIRE, 4-Ply Smooth Tread
21	9-0613	NUT, 3/8-16 Hex Flange Lock (2)
22	9-0563	SCREW, 3/8-16 x 1" Hex Head Cap, Grade 5 (6)

**\*NOTE: Kit 6-1004 will fit models: PMA360 and PMA8360.**

**Kit 6-1005 will fit models: PMA8480, PMA520, PMA8610, PMA8520, PMA610 & PMA480.**

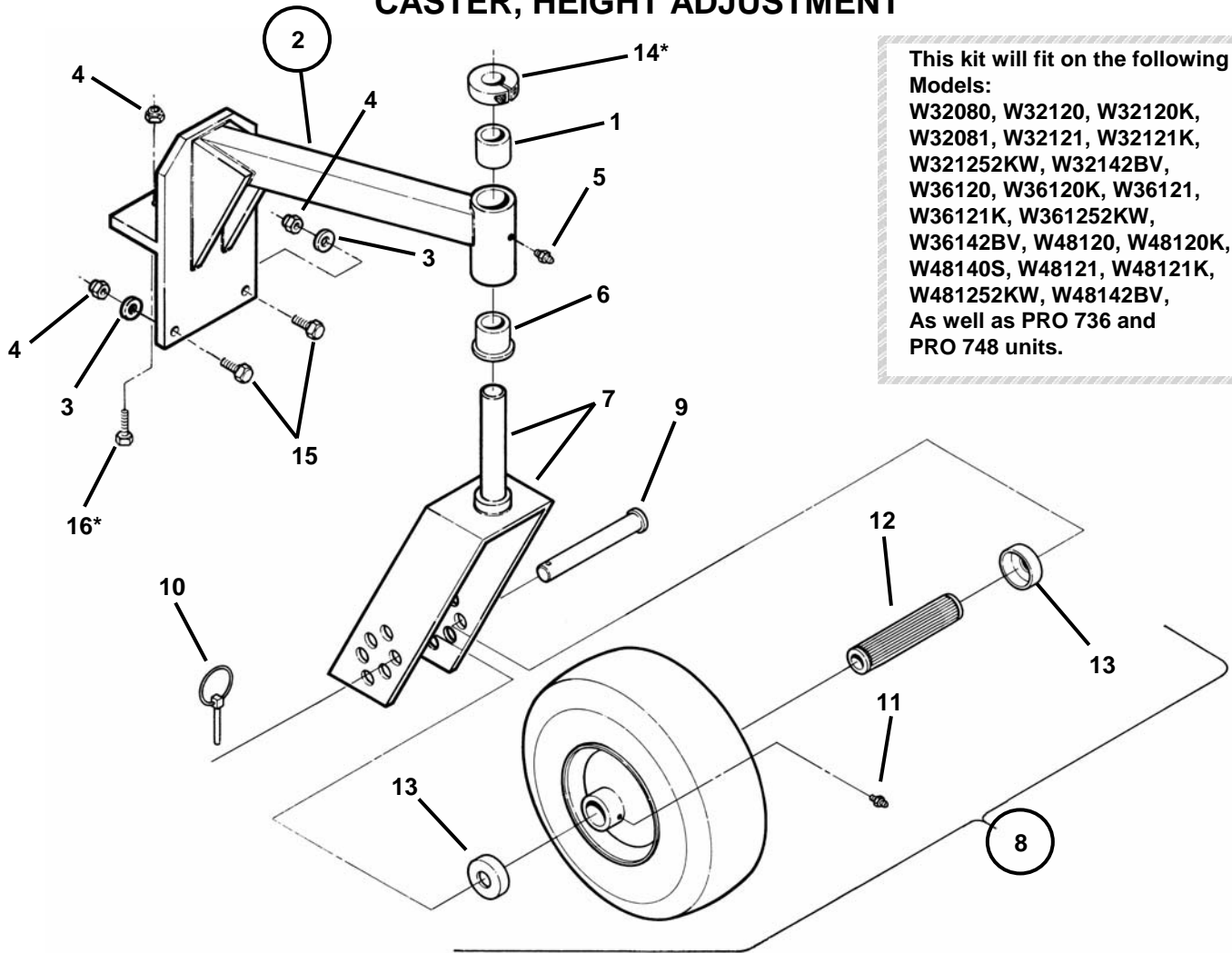
## CASTER WHEEL ASSEMBLY



ITEM	PART NO.	DESCRIPTION
--	6-1097	KIT, Caster (Incl. items items 1 thru 20)
1	2-2258	ASSEMBLY, Wheel & Tire (Includes items 2 thru 5)
2	2-2394	RETAINER, Flanged (2)
3	2-2392	TIRE, 9 x 3.50 - 4 (Includes Tube)
4	2-2393	ASSEMBLY, Wheel (Includes Items 2 & 5)
5	2-2395	BEARING, Roller
6	2-2151	SLEEVE, Axle
7	9-1121	NUT, 1/2-13 Hex (Nyloc)
8	9-1123	BOLT, 1/2-13 x 5-1/2" Hex Head Cap, Grade 5
9	4-0726	YOKE, Caster (weldment)
10	1-7711	PIN, Lynch
11	1-9152	SPACER (3)
12	2-1960	SPACER, 1.005/1.010 I.D. x .270/.300 Thick
13	2-3747	BUSHING, 1.025/1.010 I.D. x .048 Thick
14	2-3556	BUSHING, Caster (2)
15	5-2298	ASSEMBLY, Caster Support (Includes Items 14 & 16)
16	7-6998	FITTING, Lube
17	9-0563	SCREW, 3/8-16 x 1" Hex Head Cap, Grade 5 (4)
18	9-0118	WASHER, 3/8 Split Lock (2)
19	9-0517	WASHER, 3/8 Flat (4)
20	7-6979	NUT, 3/8-16 Hex (Nyloc) (2)

**NOTE: Kit 6-1097 will fit models  
PRO 736, PRO 748 and  
PRO 752.**

## CASTER, HEIGHT ADJUSTMENT



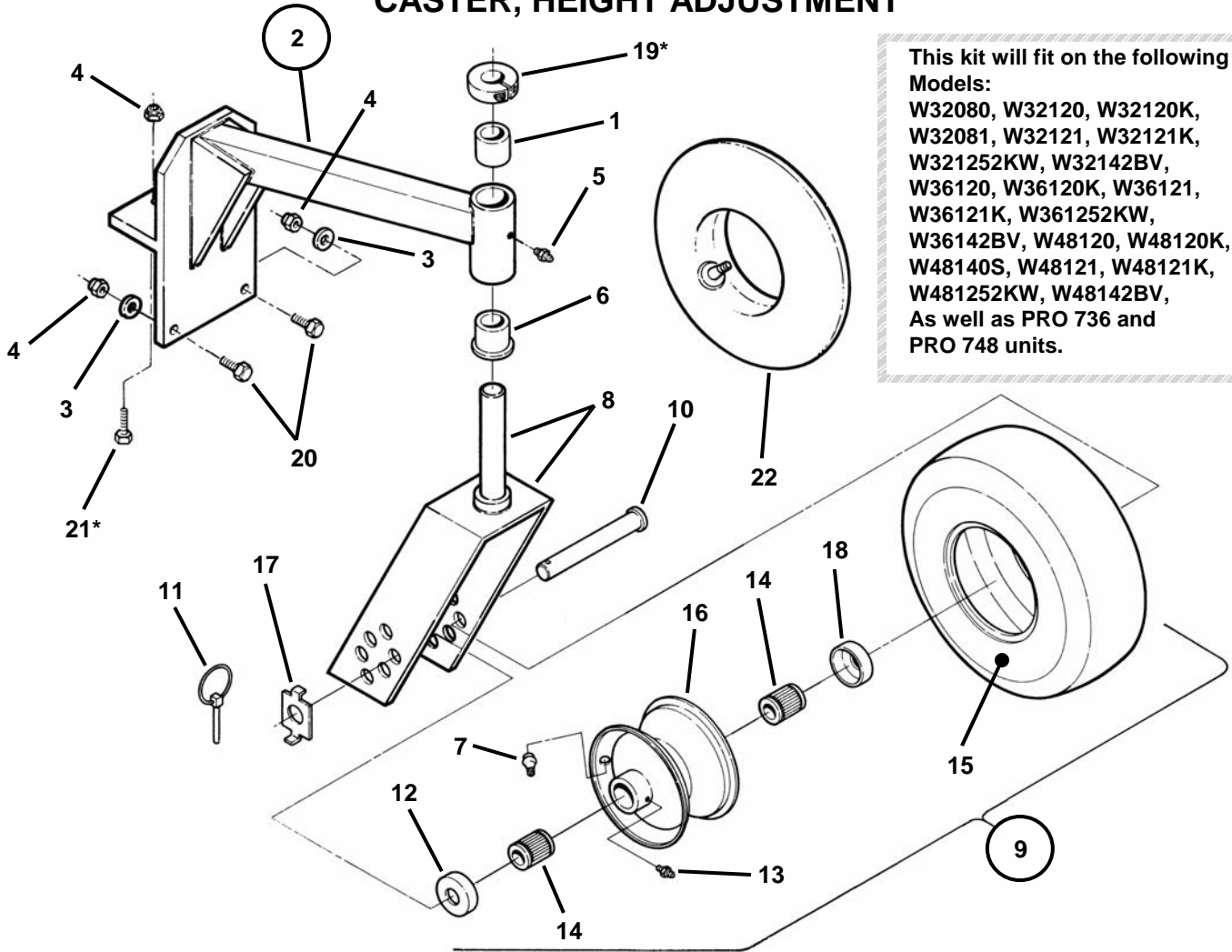
This kit will fit on the following Models:

W32080, W32120, W32120K, W32081, W32121, W32121K, W321252KW, W32142BV, W36120, W36120K, W36121, W36121K, W361252KW, W36142BV, W48120, W48120K, W48140S, W48121, W48121K, W481252KW, W48142BV, As well as PRO 736 and PRO 748 units.

\*NOTE: Items marked with asterisk are pre-existing and are not a part of this kit.

ITEM	PART NO.	DESCRIPTION	ITEM	PART NO.	DESCRIPTION
--	6-0800	KIT, Quick Height Adjust (Semi-Pneumatic) (Incl. 1-13 & 15)	7	7-6400	YOKE, Caster (weldment) (2)
1	7-6515	BUSHING, Straight (2)	8	7-6506	ASSEMBLY, Semi-Pneumatic Tire (2)
2	7-6399	SUPPORT, Caster w/Bushings (7-6514 & 7-6515) (2)	9	7-6552	AXLE, Caster (2)
3	9-0517	WASHER, 3/8" Flat (4)	10	7-6967	LYNCH PIN, 3/16" Diameter (2)
4	7-6979	NUT, 3/8-16 Hex Nyloc (4)	11	7-6998	FITTING, Lube, 1/4-28, Straight
5	7-6997	FITTING, Lube, 1/8 NPT Straight (2)	12	7-7320	BEARING, Roller (2)
6	7-6514	BEARING, Flange Thrust (powdered metal)	13	7-7321	CAP, End (2)
			14	7-7000	COLLAR, Clamp 7/8" (existing)
			15	7-6927	SCREW, 3/8-16 x 1-14" Hex Head Cap (4)
			16	7-6949	BOLT, 3/8-16 x 1-3/4" Hex Head Cap (existing)

## CASTER, HEIGHT ADJUSTMENT

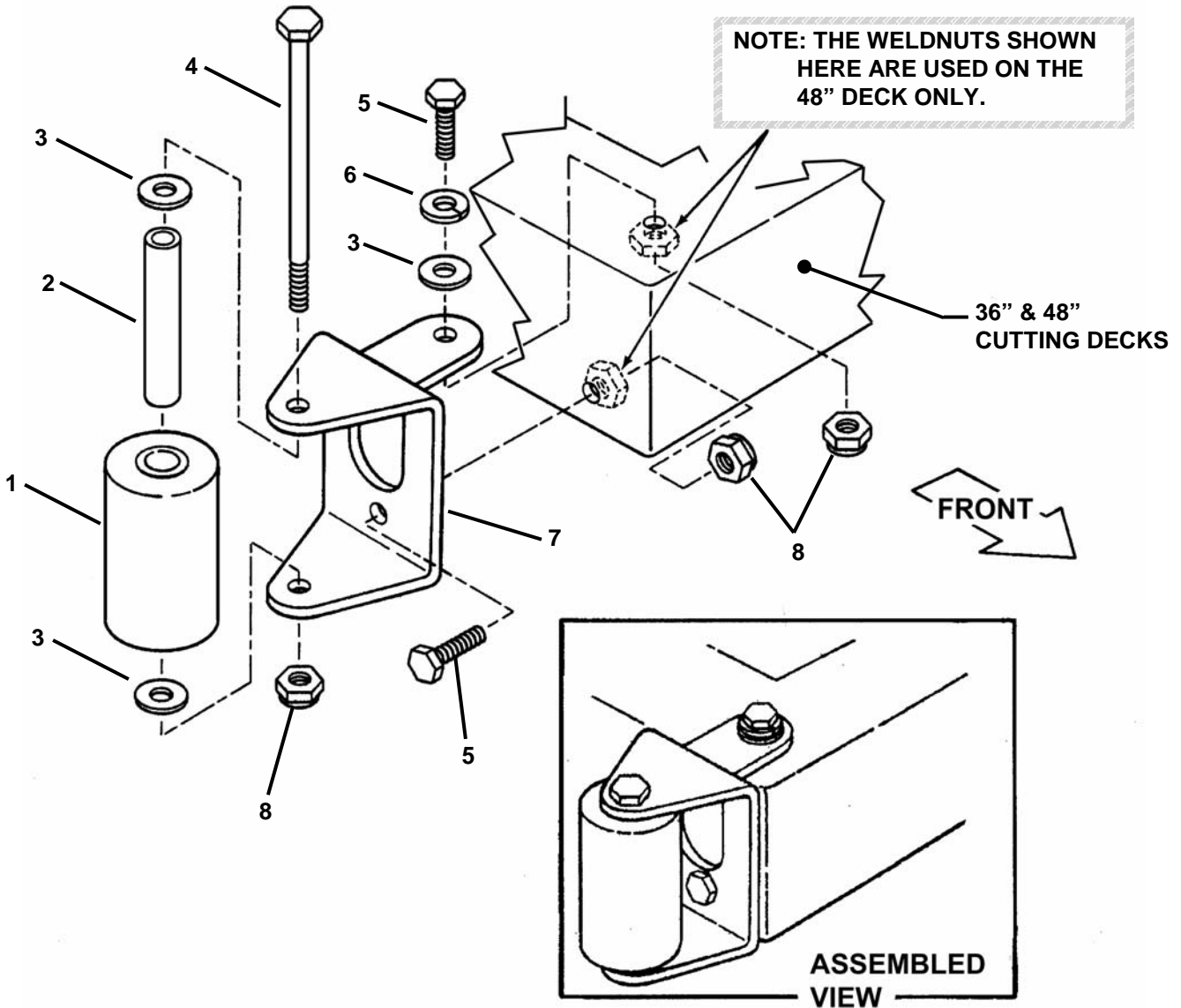


This kit will fit on the following Models:  
 W32080, W32120, W32120K, W32081, W32121, W32121K, W321252KW, W32142BV, W36120, W36120K, W36121, W36121K, W361252KW, W36142BV, W48120, W48120K, W48140S, W48121, W48121K, W481252KW, W48142BV, As well as PRO 736 and PRO 748 units.

**\*NOTE:** Items marked with asterisk are pre-existing and are not a part of this kit.

ITEM	PART NO.	DESCRIPTION	ITEM	PART NO.	DESCRIPTION
--	6-0801	KIT, Quick Height Adjust (Pneu.) (Incl. 1-18 & 20)	11	7-6967	LYNCH PIN, 3/16" Diameter (2)
1	7-6516	BUSHING, Straight (2)	12	7-7356	CAP, End
2	7-6399	SUPPORT, Caster w/Bushings (7-6514 & 7-6515) (2)	13	7-6998	FITTING, Lube, 1/4-28, Straight
3	9-0517	WASHER, 3/8" Flat (4)	14	7-7353	BEARING, Roller (2)
4	7-6979	NUT, 3/8-16 Hex Nyloc (4)	15	7-7346	TIRE, Pneumatic
5	7-6997	FITTING, Lube, 1/8 NPT Straight (2)	16	7-7350	RIM, Pneumatic Tire
6	7-6514	BEARING, Flange Thrust (powdered metal)	17	7-7720	WASHER, Tab (4)
7	1-2234	STEM, Air Valve	18	2-3557	CAP, End
8	7-6401	YOKE, Caster (weldment) (2)	19	7-7000	COLLAR, Clamp 7/8" (existing)
9	7-6408	ASSEMBLY, Pneumatic Tire (Incl. 7, 12-16 & 18) (2)	20	9-0563	SCREW, 3/8-16 x 1" Hex Head Cap (4)
10	7-6549	AXLE, Caster (2)	21	7-6949	BOLT, 3/8-16 x 1-3/4" Hex Head Cap (existing)
			22	1-0821	TUBE, Inner (optional)

# CORNER ROLLER



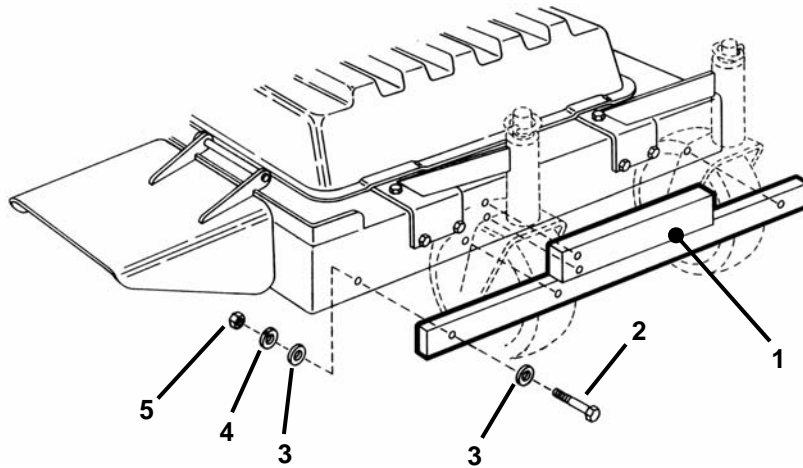
ITEM	PART NO.	DESCRIPTION
--	6-1300	KIT, Corner Roller (Incl. items 1 thru 8)
1	1-6829	ROLLER, Corner
2	2-7209	SPACER, Roller
3	9-0517	WASHER, 3/8" Flat (3)
4	2-7208	BOLT, 3/8-16 x 5-1/2" Hex Head Cap
5	9-0563	SCREW, 3/8-16 x 1" Hex Head Cap, Grade 5 (2)
6	9-0118	WASHER, 3/8" Split Lock
7	3-3080	BRACKET, Roller
8	7-6979*	NUT, 3/8-16 Hex Nyloc (3)

\*NOTE: Only two of these nuts are needed on the 48" Deck. The 48" Deck is equipped with weld-nuts as illustrated above.

**NOTE: Kit 6-1300 will fit models PRO 736 & PRO 748**

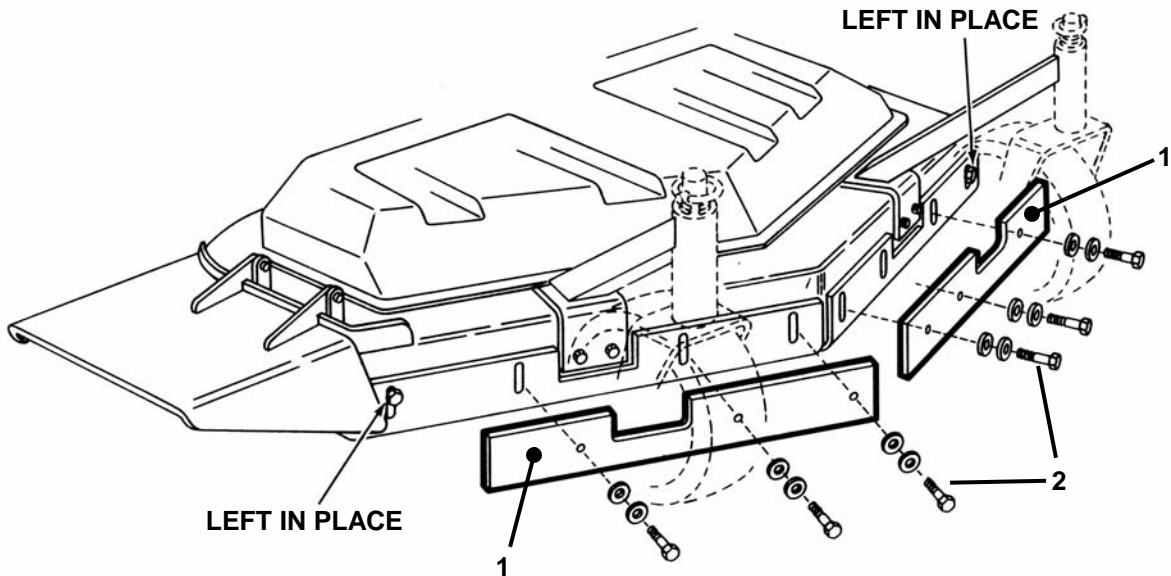


## FRONT BALLAST



ITEM	PART NO.	DESCRIPTION
--	6-1194	KIT, Front Ballast (Incl. items 1 thru 5)
1	4-1338	STRUCTURE, Front Ballast
2	9-0629	BOLT, 3/8-16 x 2-1/4" Hex Head, Grade 5 (5)
3	9-0517	WASHER, 3/8" Flat (10)
4	9-0118	WASHER, 3/8" Split Lock (5)
5	7-6979	NUT, 3/8-16 Hex Nyloc (5)

**NOTE: This kit is for the PRO 736 mid-size walk-behind mower.**

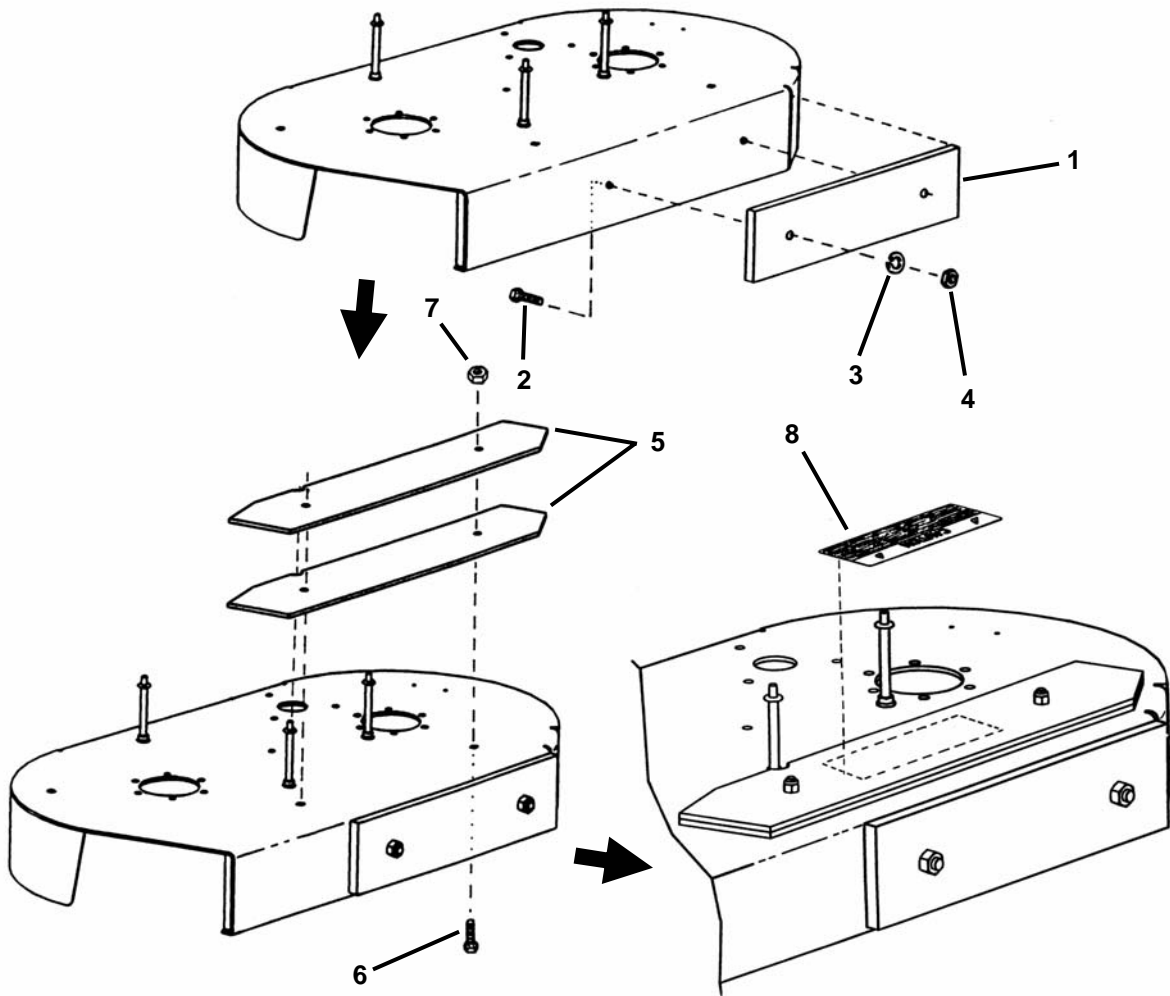


ITEM	PART NO.	DESCRIPTION
--	6-1195	KIT, Front Ballast (Incl. items 1 & 2)
1	2-4510	BALLAST, Front (2)
2	9-0655	SCREW, 3/8-16 x 1-1/2", Grade 5 (6)

**NOTE:  
Re-use existing washers**

**NOTE: This kit is for the PRO 748 mid-size walk-behind mower.**

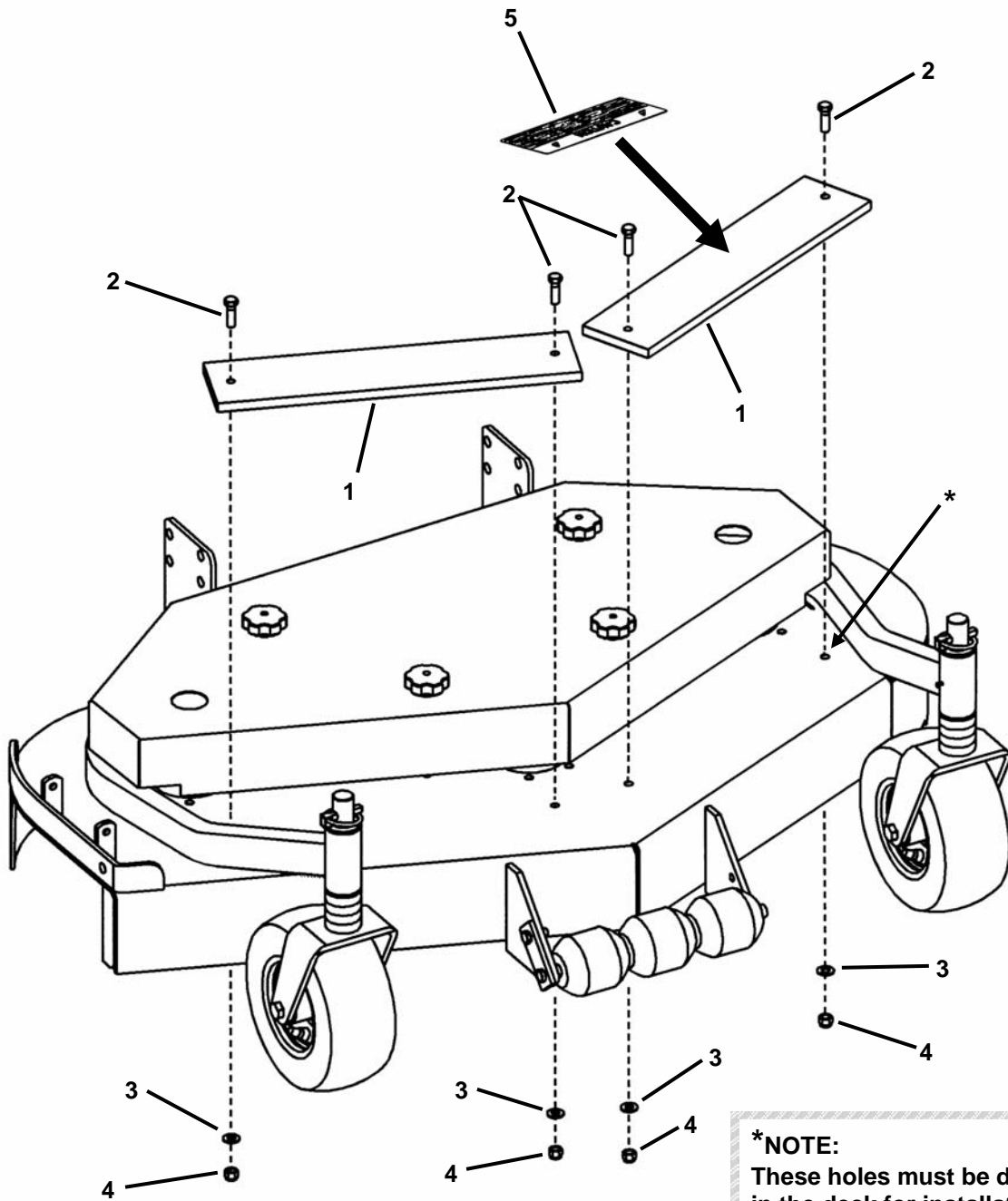
## FRONT BALLAST



ITEM	PART NO.	DESCRIPTION
--	6-3048	KIT, Weight (Incl. items 1 thru 8)
1	4-6664	WEIGHT, Front, PRO 36" Deck (painted)
2	9-1884	SCREW, 1/2-13 x 1-1/2" Hex Head Cap (2)
3	9-1322	WASHER, 1/2" Split Lock (2)
4	9-1316	NUT, 1/2-13 Hex, Grade 5 (2)
5	3-5756	WEIGHT, Top (2)
6	2-7181	BOLT, 3/8-16 x 1-1/4" Short Neck Carriage, Grade 5 (2)
7	9-1299	NUT, 3/8-16 Hex Nyloc (2)
8	7-3647	DECAL, Caution Guard/Catcher

**NOTE:** This weight kit fits the Express Deck used with gear drive units SPP1250KW, SPP140KW, SPP140KH, SPL1250KW, SPL140KW & SPL140KH; as well as hydro drive units SPLH140KW, SPLH140KH, SPLH160BV & SPLH180KHE.

# FRONT BALLAST



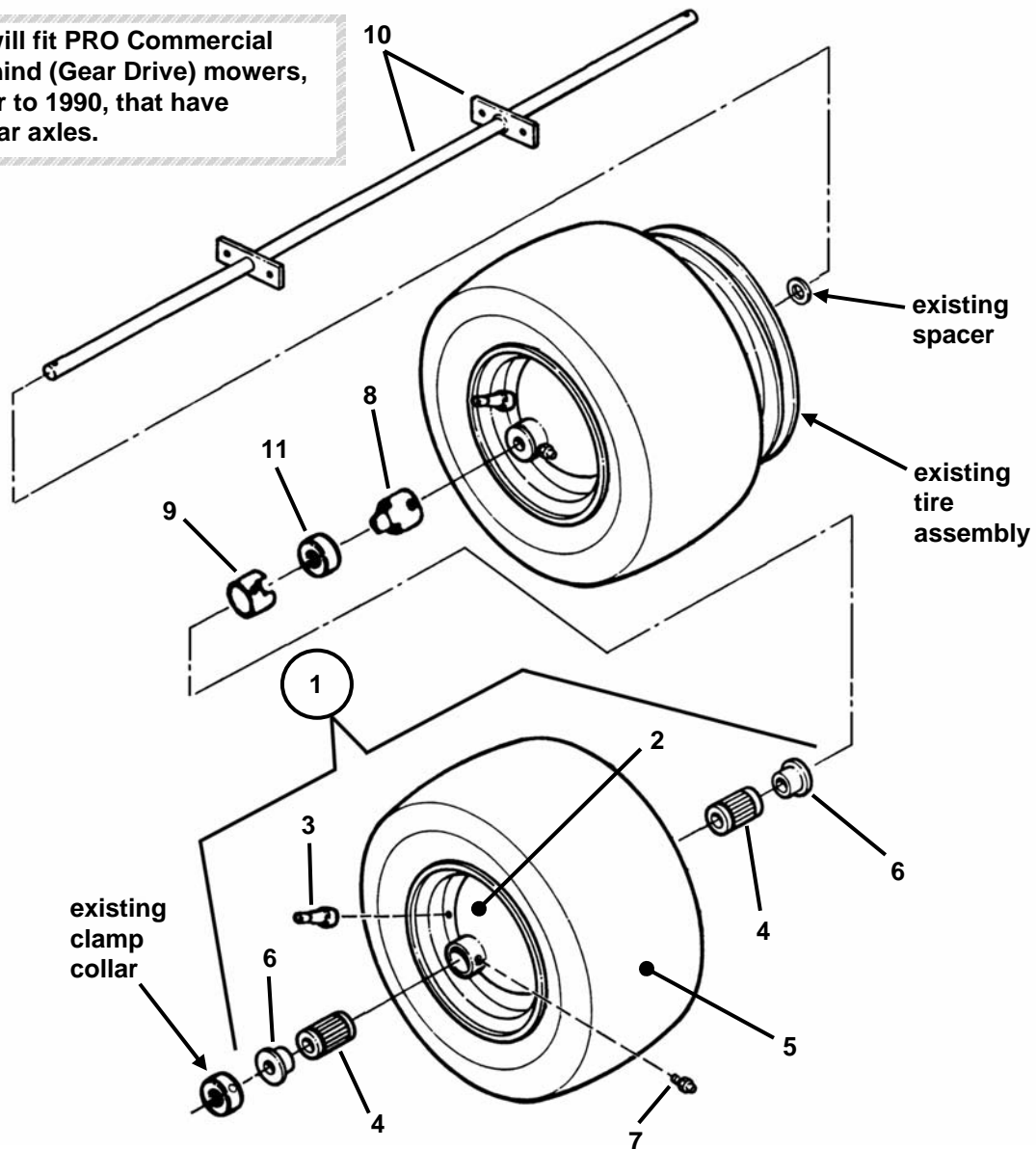
**\*NOTE:**  
These holes must be drilled  
in the deck for installation  
Of this kit.

ITEM	PART NO.	DESCRIPTION
--	6-3091	KIT, Ballast 48" Express Deck (Incl. items 1 thru 5)
1	7-2735	BALLAST, 48" Express Deck (2)
2	9-1328	SCREW, 3/8-16 x 1-1/4" Hex Head Cap, Grade 5 (2)
3	9-0122	WASHER, 3/8" Flat (8)
4	9-1299	NUT, 3/8-16 Nyloc (4)
5	7-3647	DECAL, Caution Guard/Catcher

**NOTE: This kit fits the Pro Commercial Walk Behind with 48" Express Mower Deck.**

## DUAL WHEEL CONVERSION

This kit will fit PRO Commercial Walk-Behind (Gear Drive) mowers, built prior to 1990, that have bolt-in rear axles.

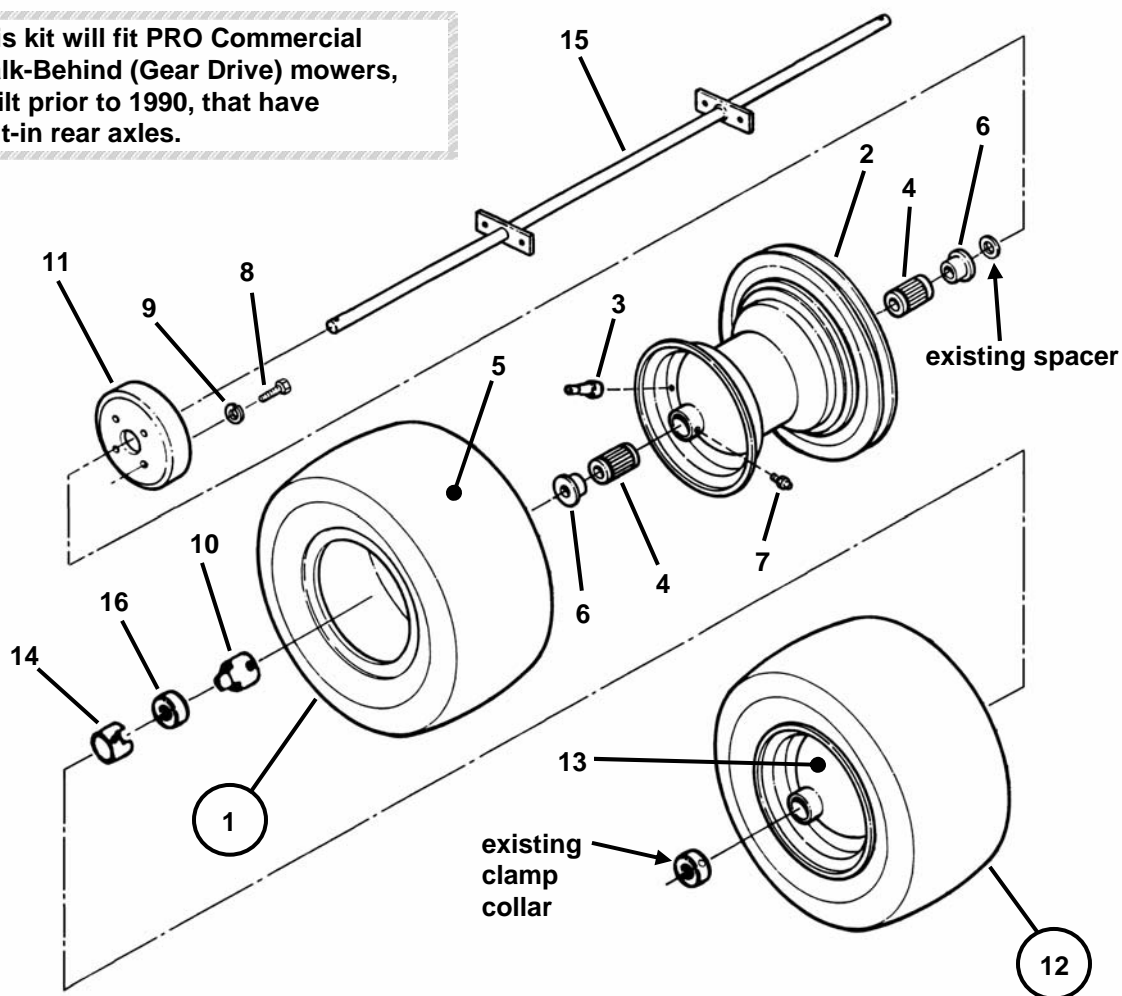


ITEM	PART NO.	DESCRIPTION
--	6-0803	KIT, Dual Wheel Conversion (Incl. items 1 thru )
1	7-6389	ASSEMBLY, Sulky Tire (complete) (Incl. items 2 thru 7) (2)
2	7-7311	RIM (Includes items 3 & 7)
3	1-2234	STEM, Air Valve
4	7-7313	BEARING, Roller (2)
5	2-3788*	TIRE, 13 x 6.50-6
6	7-7312	BEARING, Flange (2)
7	7-6998	FITTING, Lube, 1/4-28, Straight
8	7-6539	COUPLING-DRIVE, Inside
9	7-6540	COUPLING, Drive, Outside
10	7-6396	WELDMENT, Rear Axle, Dual Wheel, PTD
11	7-6542	SPACER, Dual Wheel (2)

\*or 77310

## DUAL WHEEL CONVERSION

This kit will fit PRO Commercial Walk-Behind (Gear Drive) mowers, Built prior to 1990, that have bolt-in rear axles.

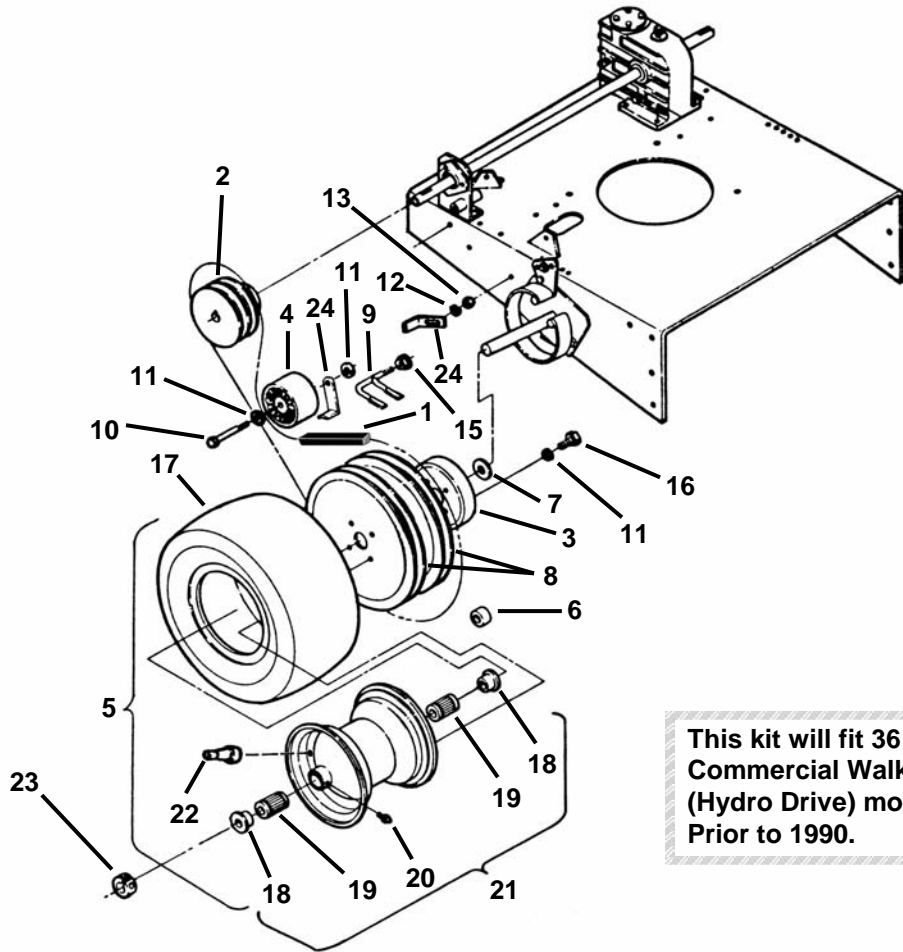


ITEM	PART NO.	DESCRIPTION
--	6-0804	KIT, Dual Wheel Conversion (complete) (Incl. items 1 thru 16)
1	7-6394	ASSEMBLY, Drive Tire (complete, dual wheel) (Incl. items 2 thru 7) (2)
2	7-6410*	RIM & PULLEY, Drive (dual wheel)
3	1-2234	STEM, Air Valve
4	7-7313	BEARING, Roller (2)
5	2-3788**	TIRE, 13 x 6.50-6
6	7-7312	BEARING, Flange (2)
7	7-6998	FITTING, Lube, 1/4-28, Straight
8	9-0118	WASHER, 3/8" Split Lock (4)
9	7-7748	SCREW, 3/8-24 x 3/4" Hex Head Cap, Grade 5 (4)
10	7-6539	COUPLING-DRIVE, Inside
11	7-6440	DRUM, Brake, PTD
12	7-6395	TIRE, Driven (complete, dual wheel) (Incl item 14) (2)
13	7-7284	RIM, Driven
14	7-6540	COUPLING, Drive, Outside
15	7-6396	WELDMENT, Rear Axle, Dual Wheel, PTD
16	7-6542	SPACER, Dual Wheel (2)

\*or 7-7283

\*\*or 7-7310

## DUAL TRACTION BELT



This kit will fit 36 & 48" PRO Commercial Walk-Behind (Hydro Drive) mowers built. Prior to 1990.

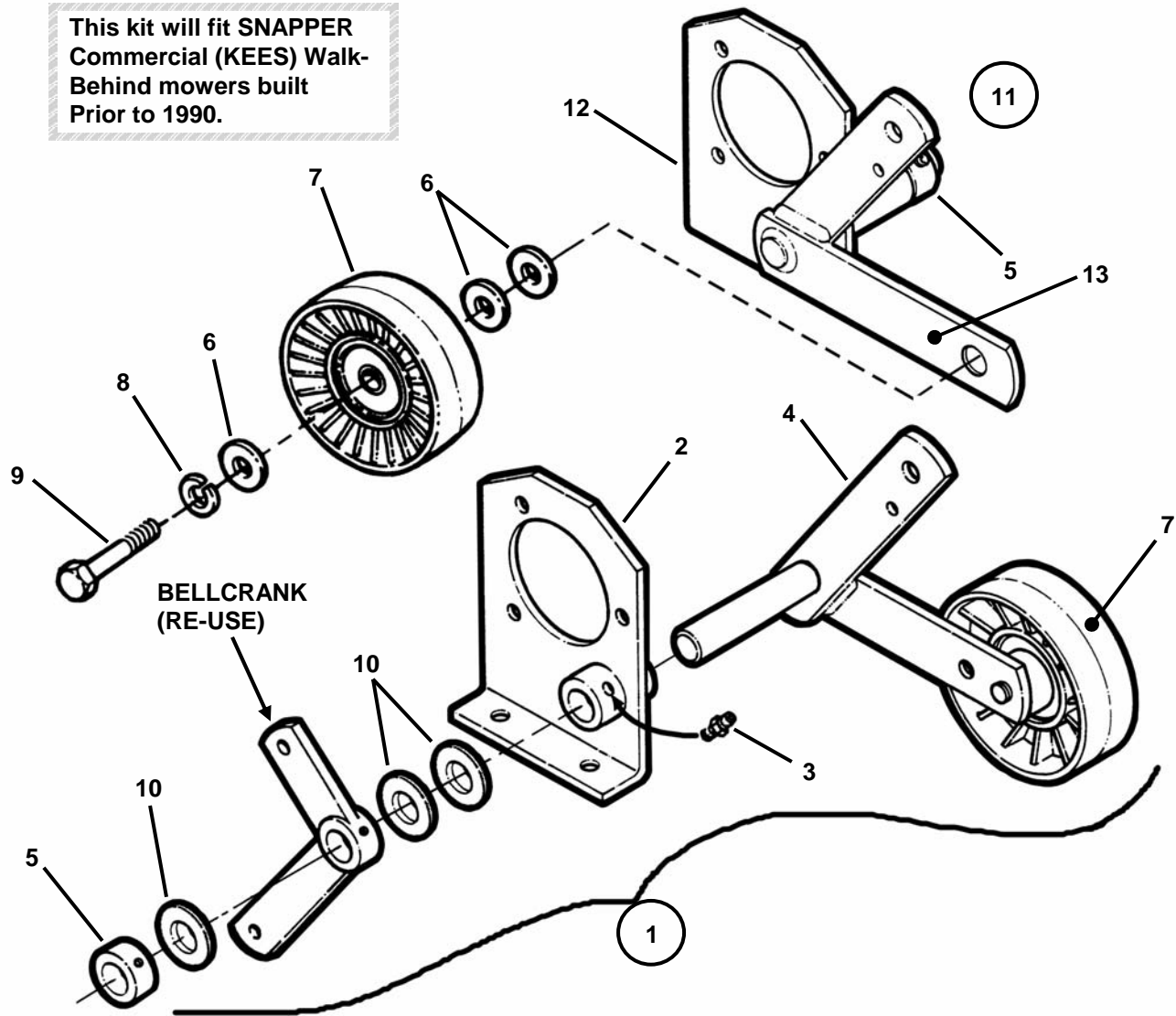
ITEM	PART NO.	DESCRIPTION	ITEM	PART NO.	DESCRIPTION
--	6-0937	KIT, Dual Traction Belt (Incl. 1 thru 25)	11	9-0118	WASHER, 3/8" Split Lock (10)
1	1-9202	BELT, Traction (Dual Band) (2)	12	9-0187	WASHER, 5/16" Split Lock (2)
2	1-9223	PULLEY, Output (2)	13	9-0196	NUT, 5/16" Hex, Gr. 5 or B (2)
3	1-9224	HUB, Brake (2)	14	9-0517	WASHER, 3/8" Flat (10)
4	1-9225	PULLEY, Idler (2)	15	9-0585	NUT, 5/16-18 Flange Lock (2)
5	5-9800	ASSEMBLY, Wheel (Includes 1-9206 & items 17-22) (2)	16	9-0164	SCREW, 3/8-24 x 1-1/2" Hex Head Cap, Grade 5 (8)
--	1-9206	ASSEMBLY, Wheel w/o pulley	17	2-3788	TIRE, 13 x 6.50-6 (4 Ply)
6	2-3515	SPACER (8)	18	7-7312	BUSHING, Flange (2)
7	2-3787	BUSHING, 7/8" (2)	19	7-7313	BEARING, Roller (2)
8	3-8473	PULLEY, Traction (4)	20	7-6998	FITTING, Lube, 1/4-28, Straight
9	4-0606	SCRAPER (2)	21	1-9256	ASSEMBLY, RIM, w/Flange
10	7-7670*	SCREW, 3/8-24 x 1-3/4" Hex Head Cap, Grade 5 (2)	22	1-2234	STEM, Air Valve
--	9-0629	SCREW, 3/8-16 x 2-1/4" Hex Head Cap, Grade 5 (2)	23	7-7000	COLLAR CLAMP w/Set Screw (2)
			24	3-8513	GUIDE, Belt (2)
			25	3-2865**	GUIDE, Belt (2)

\*this bolt used on units with serial numbers starting with 9

\*\*installs on idler pulley

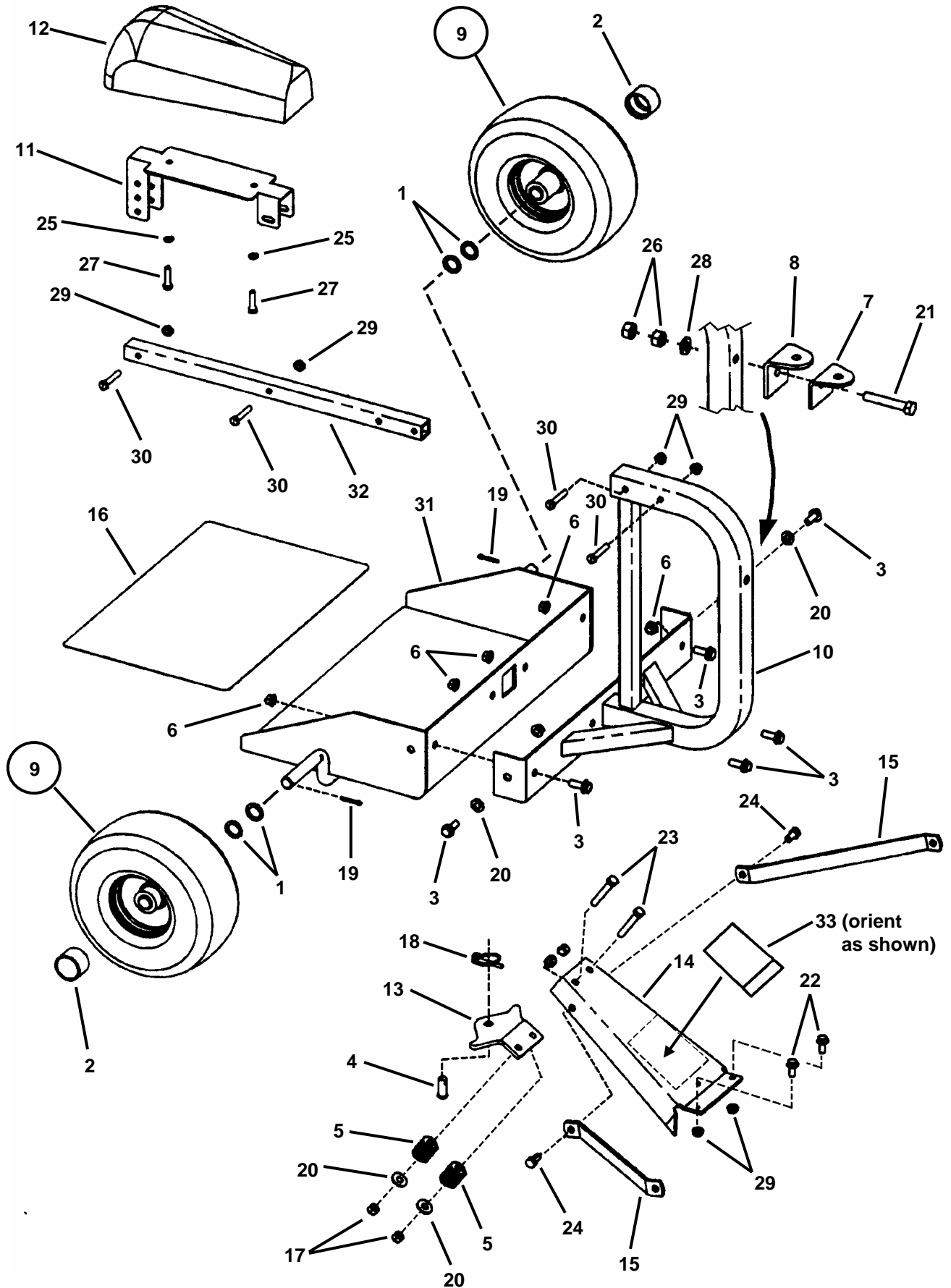
## TRACTION IDLER

This kit will fit SNAPPER Commercial (KEES) Walk-Behind mowers built Prior to 1990.



ITEM	PART NO.	DESCRIPTION
--	6-1001	KIT, Traction Idler (Incl. items 1 thru 13)
1	5-2090	ASSEMBLY, Left Support Bracket (Incl. items 2 thru 10)
2	4-0679	WELDMENT, Left Bearing Support
3	7-6998	FITTING, Lube, 1/4-28, Straight
4	7-7860	WELDMENT, Traction, Left
5	1-6473	COLLAR, Shaft
6	9-0517	WASHER, 3/8" Flat (3)
7	1-9225	IDLER PULLEY
8	9-0118	WASHER, 3/8" Split Lock
9	7-7670	SCREW, 3/8-24 x 1-3/4" Hex Head Cap, Grade 5
10	9-1030	BUSHING, Machine (3)
11	5-2091	ASSEMBLY, Right Support Bracket (Incl. items 3, 5, 12 & 13)
12	7-7846	WELDMENT, Right Support Bracket
13	7-7859	WELDMENT, Traction, Right

# STAND/SIT SULKY





## STAND/SIT SULKY

ITEM	PART NO.	DESCRIPTION
--	6-3080	KIT, Stand/Sit Sulky (Includes items 1 thru 36)
1	2-9617	WASHER, 3/4" Flat (4)
2	1-1022	CAP, Hub (2)
3	9-1891	BOLT, 3/8-16 x 1", Grade 5 (6)
4	2-4351	PIN, 1/2 x 1-3/16" Clevis
5	2-4352	SPRING (2)
6	9-1619	NUT, 3/8-16 Hex Flange Lock (6)
7	3-3607	HITCH, Bottom
8	3-3608	HITCH, Top
9	5-2268	ASSEMBLY, Wheel ( includes 6 items below) (2)
--	2-3828	TIRE, 4.10/3.50-4
--	1-0821	TUBE, Tire
--	1-7146	RIM, Wheel
--	1-1807	BALL BEARING, Flange (2)
--	1-4669	LUBE FITTING
--	1-2234	VALVE STEM
10	7-2092	WELDMENT, Seat Support
11	7-2090	BRACKET, Seat
12	7-2091	SEAT
13	7-2268	HITCH, Draw Bar
14	7-2269	DRAW BAR
15	7-2270	BRACE, Draw Bar (2)
16	7-2271	PAD, Friction
17	9-1299	NUT, 3/8-16 Hex Nyloc (4)
18	7-7780	PIN, 7/16 HD Lynch
19	9-1516	PIN, 5/32 x 1" Cotter (2)
20	9-1514	WASHER, 13/32" Flat (4)
21	9-1821	SCREW, 1/2-13 x 3" Hex Head Cap, Grade 5
22	9-1811	BOLT, 5/16-18 x .5/8" Hex Flange Lock, Grade 5 (2)
23	9-1560	SCREW, 3/8-16 x 2-1/4" Hex Head Cap, Grade 5 (2)
24	9-1304	SCREW, 3/8-16 x 1" Hex Head Cap, Grade 5 (2)
25	9-1315	WASHER, 21/64" Split Lock (2)
26	9-1316	NUT, 1/2-13 Hex Grade 5 (2)
27	9-1527	SCREW, 5/16-18 x 1-1/4" Hex Head Cap, Grade 5 (2)
28	9-1587	WASHER, 17/32" Flat
29	9-1601	NUT 5/16-18 Hex Flange Lock, Grade 5 (6)
30	9-1908	SCREW, 5/16-18 x 1.3/4", Grade 5 (4)
31	7-2093	WELDMENT, Carriage/Axle
32	7-2321	TUBE, Seat Extension
33	7-2646	DECAL, Warning
34	1-9293	NAMEPLATE, Snapper (not shown)
35	9-1585	NUT, 3/8-16 Hex Center Lock (Not shown in illustration) (2)
36	7-2536	DECAL, Snapper (not shown)

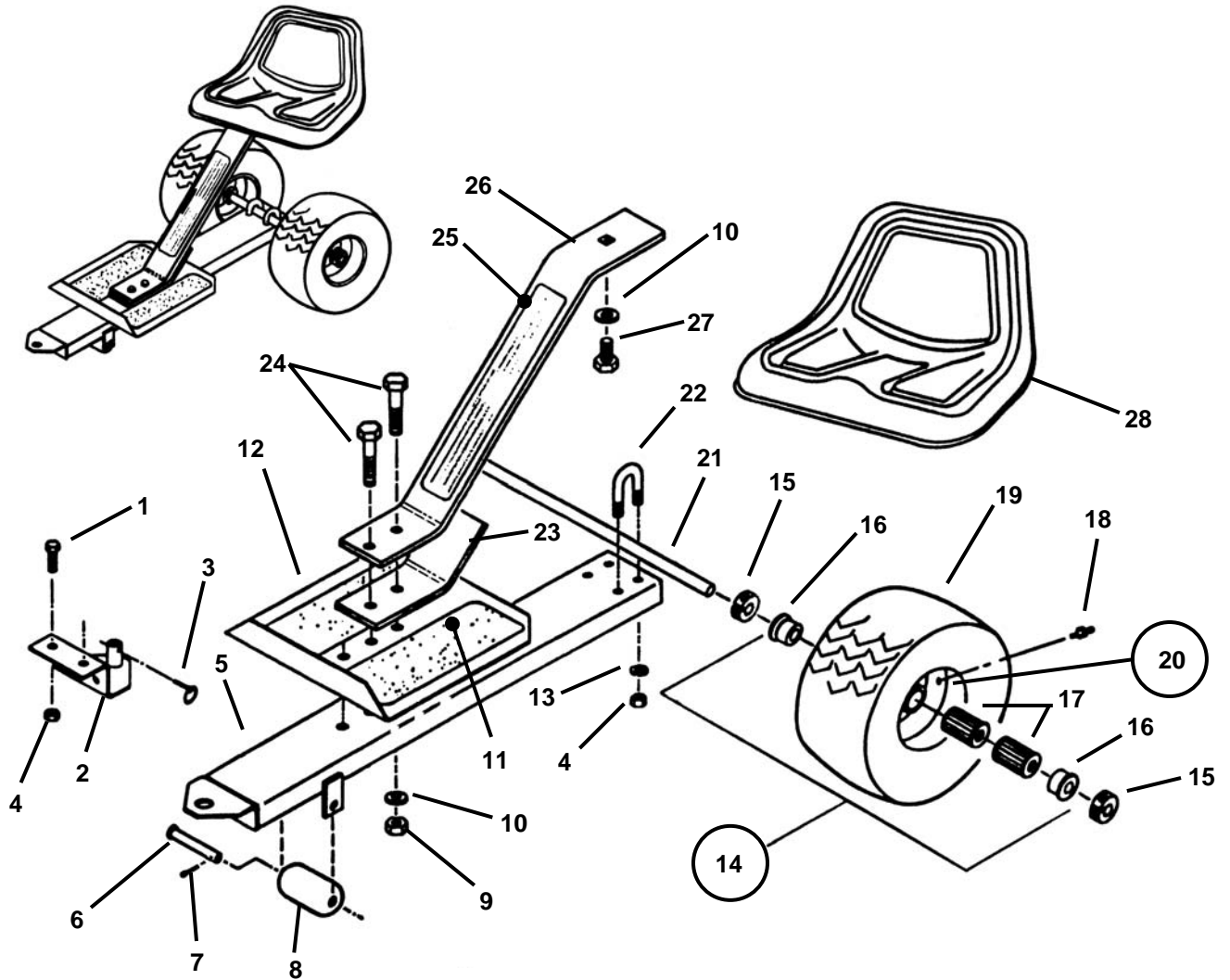
## SULKY, PRO 7



**This kit will fit SNAPPER  
PRO 7 Gear and Hydro  
Walk-Behind mowers.**

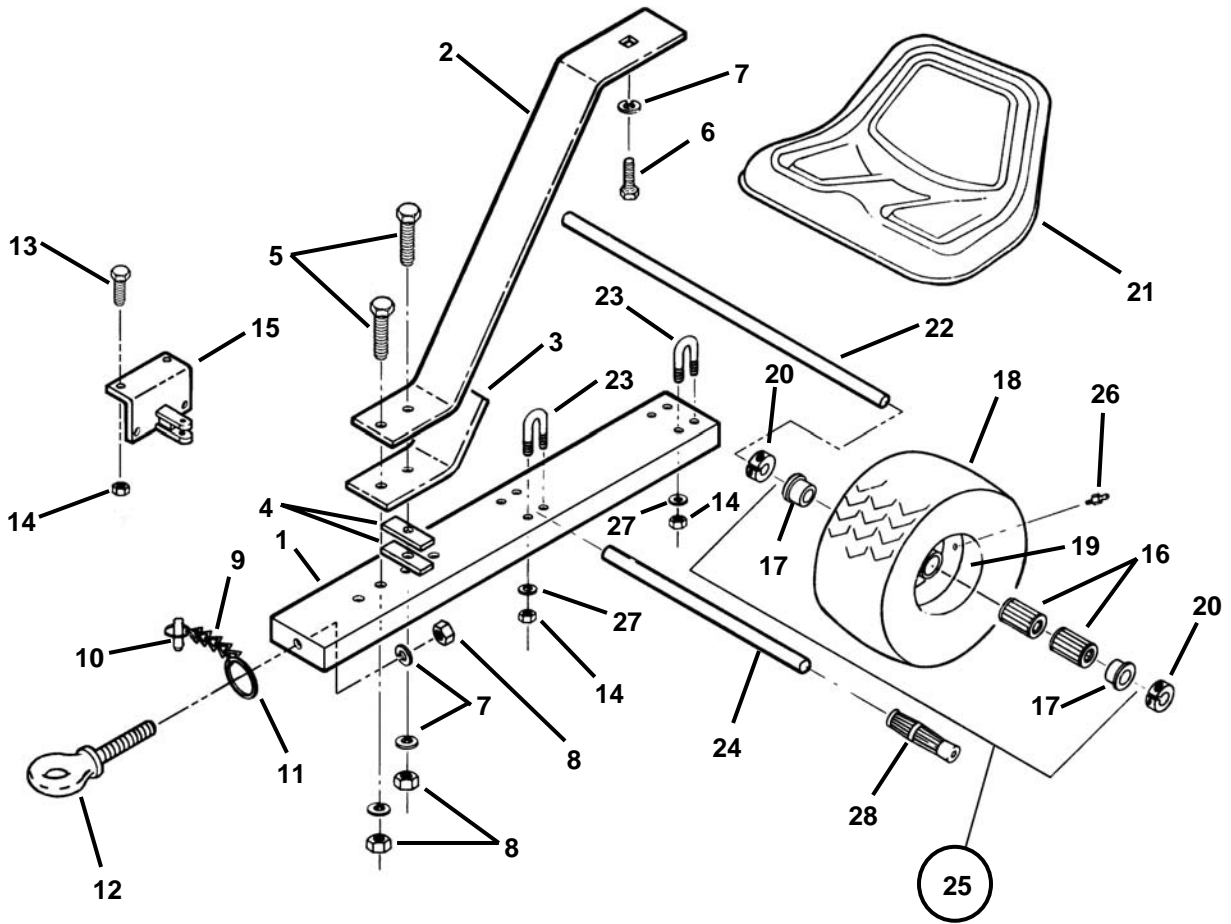
ITEM	PART NO.	DESCRIPTION	ITEM	PART NO.	DESCRIPTION
--	6-1176	KIT, Sulky (Incl. 1 thru 47)	27	3-3608	HITCH, Top
1	2-4353	ASSEMBLY, Wheel (incl. tire, rim, 2 ball bearings, air valve & grease fitting (2))	28	3-3626	LEVER, Shift Sulky
2	3-3516	TUBE, Seat Support	29	3-3638	SADDLE
3	3-3604	BRACE, Draw Bar (2)	30	7-6526	GRIP, Adj. Lever
4	4-1308	WELDMENT, Seat Adjust	31	7-6934	SCREW, 5/16-18 x 3/4" Hex Head Cap, Grade 5 (6)
5	4-1329	WELDMENT, Channel Brace	32	7-6938	SCREW, 5/16-18 x 2-1/4" Hex Head Cap, Grade 5
6	5-2821	ASS'Y, Drawbar/Hitch (incl. items 7 thru 15)	33	7-6979	NUT, 3/8-16 Hex Nyloc (5)
7	1-4438	HOOK (5/16-18 thread)	34	7-7780	PIN, Lynch
8	2-4352	SPRING, 3/4" O. D. x 1-1/2"	35	9-0187	WASHER, 5/16" Split Lock (7)
9	3-3610	HITCH	36	9-0250	WASHER, 1/2" Flat (2)
10	3-3611	DRAWBAR	37	9-0297	PIN, 1/8 x 1-1/2" Cotter
11	7-6979	NUT, 3/8-16 Hex Nyloc (2)	38	9-0364	PIN, 5/32 x 1" Cotter (2)
12	9-0188	WASHER, 5/16" Flat (11)	39	9-0563	SCREW, 3/8-16 x 1" Hex Head Cap, Grade 5 (3)
13	9-0517	WASHER, 3/8" Flat (2)	40	9-0588	SCREW, 3/8-16 x 2" Hex Head Cap, Grade 5 (2)
14	9-0629	BOLT, 3/8-16 x 2-1/4" (2)	41	9-0669	SCREW, 5/16-18 x 1-3/4" Hex Head Cap, Grade 5 (2)
15	9-0717	NUT, 5/16-18 Hex Nyloc (6)	42	9-0930	BOLT, 5/16-18 x 2" Hex, Grade 5
16	5-2822	SEAT (with 1-9295 Decal)	43	9-0959	BOLT, 5/16-18 x 2-1/2" Sq. Neck Carriage, Grade 5
17	5-2823	WELDMENT, Frame (with 7-7774 Decal)	44	9-0975	NUT, 1/2-13 Hex Center Lock, Grade 5 or B (2)
18	1-3370	WASHER, 1" I. D. Flat	45	9-1046	SCREW, 5/16-18 x 2-1/2" Hex Head Cap, Grade 5
19	1-3492	WASHER, Special (8)	46	9-1170	BOLT, 1/2-13 x 1-3/4" Bolt, Grade 5
20	2-2960	SPACER, Seat (2)	47	2-4354	INSTRUCTIONS
21	2-3735	KNOB (5/16-18 thread)			
22	2-4350	SPACER, Axle (2)			
23	2-4351	PIN, 1/2 x 1-3/16" Clevis			
24	2-4623	CHAIN, Hitch			
25	3-3606	CLAMP			
26	3-3607	HITCH, Bottom			

# SULKY



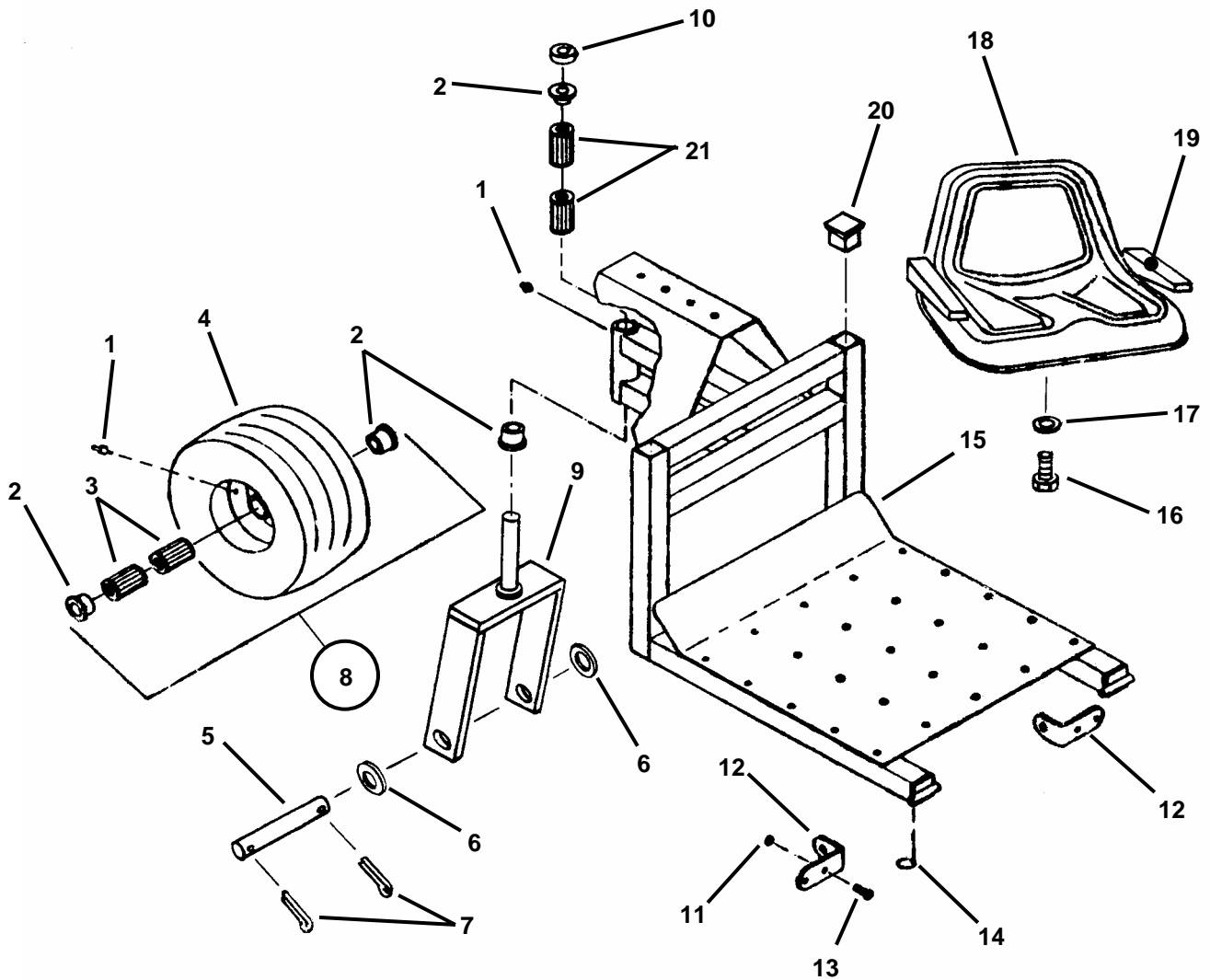
ITEM	PART NO.	DESCRIPTION	ITEM	PART NO.	DESCRIPTION
--	6-0848	KIT, Sulky (Includes 1 thru 28)	15	7-7000	CLAMP, Collar (4)
1	7-6926	SCREW, 5/16-18 x 1" Hex (2)	16	7-7312	BEARING, Flange (2)
2	7-7768	WELDMENT, Hitch	17	7-7313	BEARING, Roller (2)
3	7-7780	PIN, Lynch	18	7-6998	FITTING, 1/4-28 Grease
4	9-0717	NUT, 5/16-18 Hex Nyloc (6)	19	7-7310	TIRE, 2 Ply Turfmaster
5	7-7772	WELDMENT, Frame	20	7-7311	ASS'Y, Rim (incl. air valve & grease fitting)
6	7-7787	AXLE, Roller	21	7-7776	AXLE, Main
7	9-0297	PIN, 1/8 x 1-1/2" Cotter	22	7-6604	U-Bolt (5/16-18 threads) (2)
8	1-4661	ROLLER	23	7-6596	STIFFENER
9	9-0258	NUT, 1/2-13 Hex, Gr. 5 or B (2)	24	7-6929	SCREW, 1/2-13 x 2" Hex (2)
10	9-0254	WASHER, 1/2" Split Lock (3)	25	7-7774	DECAL, Warning
11	7-7778	PAD, Abrasive (2)	26	7-7775	SPRING, Seat (incl. item 25)
12	7-7777	FOOT REST (w/o pad)	27	7-6928	SCREW, 1/2-13 x 1" Hex Head
13	9-0692	WASHER, 5/16" Flat (4)	28	7-7303	SEAT w/Decal
14	7-6389	ASS'Y, Tire (incl. 16-20) (2)			

# SULKY, RIDING



ITEM	PART NO.	DESCRIPTION	ITEM	PART NO.	DESCRIPTION
--	6-0799	KIT, Sulky (Includes 1 thru 28) (Was Kees #361700)	15	7-6413	HITCH
1	7-7302	FRAME (with decal)	16	7-7313	BEARING, Roller (2)
2	7-6595	SPRING	17	7-7312	BEARING, Flange (2)
3	7-6596	STIFFENER	18	7-7310	TIRE, 2 Ply Turfmaster
4	7-6603	SHIM (2)	19	7-7311	ASS'Y, Rim (incl. air valve & grease fitting)
5	7-6929	SCREW, 1/2-13 x 2" Hex (2)	20	7-7000	CLAMP, Collar (4)
6	7-6928	SCREW, 1/2-13 x 1" Hex	21	7-7303	SEAT w/Decal
7	9-0254	WASHER, 1/2" Split Lock (4)	22	7-6607	AXLE
8	9-0258	NUT, 1/2-13 Hex, Gr. 5 or B (3)	23	7-6604	U-Bolt (5/16-18 threads) (2)
9	7-6224	CHAIN, #8 Sash (9" long)	24	7-6606	FOOT REST
10	7-6995	PIN, Quick Release Hitch	25	7-6389	ASS'Y, Tire (includes items 16-19 & 26) (2)
11	7-6999	SPLIT RING	26	7-6998	FITTING, 1/4-28 Grease
12	7-6602	EYEBOLT, 1/2" Dia. Forged	27	9-0692	WASHER, 5/16" Flat (8)
13	7-6925	BOLT, 5/16-18 x 3/4" Hex (2)	28	7-6996	GRIP, Foot Rest (2)
14	9-0717	NUT, 5/16-18 Hex Nyloc (10)			

## SULKY, RIDING

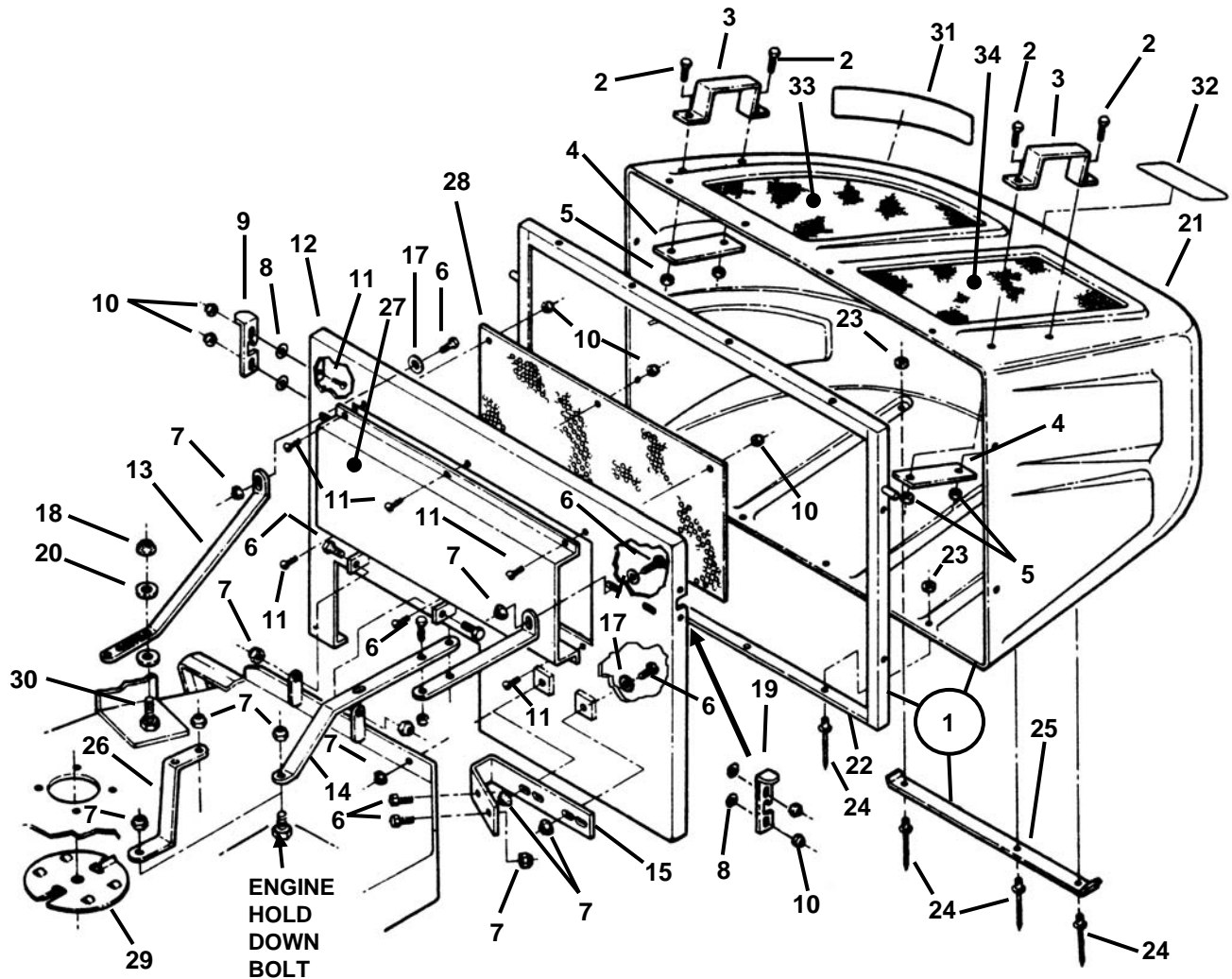


ITEM	PART NO.	DESCRIPTION	ITEM	PART NO.	DESCRIPTION
--	*Note 1	KIT, Sulky (Includes 1 thru 21) (Was Kees #601700)	11	7-6979	NUT, 3/8-16 Hex Nyloc (4)
1	7-6998	FITTING, 1/4-28 Grease (2)	12	7-7612	BRACKET, Hitch
2	7-7312	BEARING, Flange (2)	13	9-0563	SCREW, 3/8-16 x 1" Hex Head Cap, Grade 5 (4)
3	7-7313	BEARING, Roller (2)	14	7-6967	PIN, 3/16" Dia. Lynch
4	7-7435	TIRE, Straight Ribbed w/Rim	15	7-7436	FRAME
5	7-7607	PIN, Axle	16	7-7666	SCREW, 1/2-13 x 3/4" Hex
6	7-6508	SPACER (2)	17	9-0254	WASHER, 1/2" Split Lock (4)
7	9-0297	PIN, 1/8 x 1-1/2" Cotter (2)	18	7-7303	SEAT w/Decal
8	7-7435	ASSEMBLY, Tire (2)	19	7-7438	KIT, Arm
9	7-7437	WELDMENT, Swivel	20	7-7620	PLUG, Square (2)
10	7-7000	7/8" CLAMP, Collar	21	7-7221	BEARING, Roller (2)

\*NOTE1 : Although there is no Snapper Kit, individual parts may be ordered under the Snapper part numbers as shown in the above table.

**THIS PAGE LEFT INTENTIONALLY BLANK**

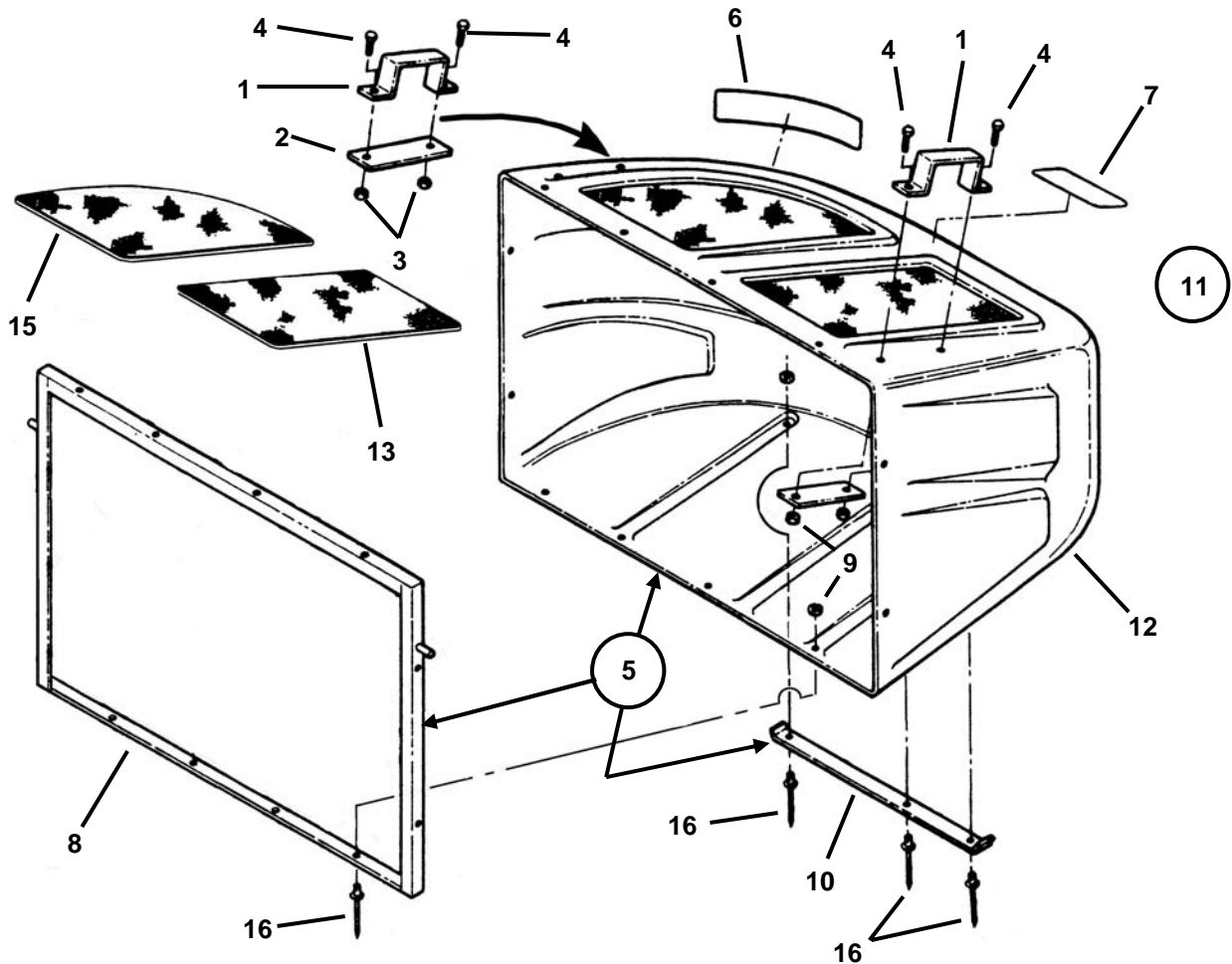
## GRASS CATCHER, w/Hopper



ITEM	PART NO.	DESCRIPTION	ITEM	PART NO.	DESCRIPTION
--	6-0798	KIT, Grass Catcher (Incl. 1- 34)	17	9-0692	WASHER, 5/16" Flat (4)
1	7-7296	HOPPER/FRAME (Complete)	18	7-6979	NUT, 3/8-16 Hex Nyloc
2	9-0548	SCREW, 1/4-20 x 1" Hex Head (4)	19	7-6582	CATCHER LATCH, Left
3	7-6585	HANDLE, Hopper (2)	20	9-0517	WASHER, 3/8" Flat (2)
4	7-6586	PLATE, Handle Brace (2)	21	7-7297	HOPPER w/Decals
5	7-6978	NUT, 1/4-20 Hex Nyloc (4)	22	7-6411	FRAME, Hopper
6	7-6926	SCREW, 5/16-18 x 1" Hex Hd.(10)	23	7-6588	WASHER, Grass Catcher (15)
7	9-0717	NUT, 5/16-18 Hex Nyloc (11)	24	7-6958	POP RIVET (15)
8	7-6983	WASHER, 1/4" Spring (4)	25	7-6589	PLATE, Skid
9	7-6581	CATCHER LATCH, Right	26	7-6361	CATCHER BRACE, Rear Short (32" Only)
10	7-6977	NUT, #10-24 Hex Nyloc	27	7-6592	COVER, Screen
11	7-6952	SCREW, #10-24 x 5/8" Pan Head Machine (10)	28	7-6591	SCREEN, Backplate
12	7-6412	BACK PLATE (Complete)	29	1-7051	DISC, Blade (3)
13	7-6587	CATCHER BRACE, Front	30	7-6949	SCREW, 3/8-16 x 1-3/4" Hex
14	7-6575	CATCHER BRACE, Rear Long	31	1-9295	DECAL, Snapper
15	7-7753	BRACKET, Supp. (48" S.W.Only)	32	7-6583	DECAL, Warning
16	7-6580	CATCHER BRACE, Rear Short	33	7-7359	SCREEN, Top Front
			34	7-7360	SCREEN, Top Rear

**NOTE: This kit fits 32", 36" & 48" PRO Mowers**

## GRASS CATCHER, HOPPER REPLACEMENT

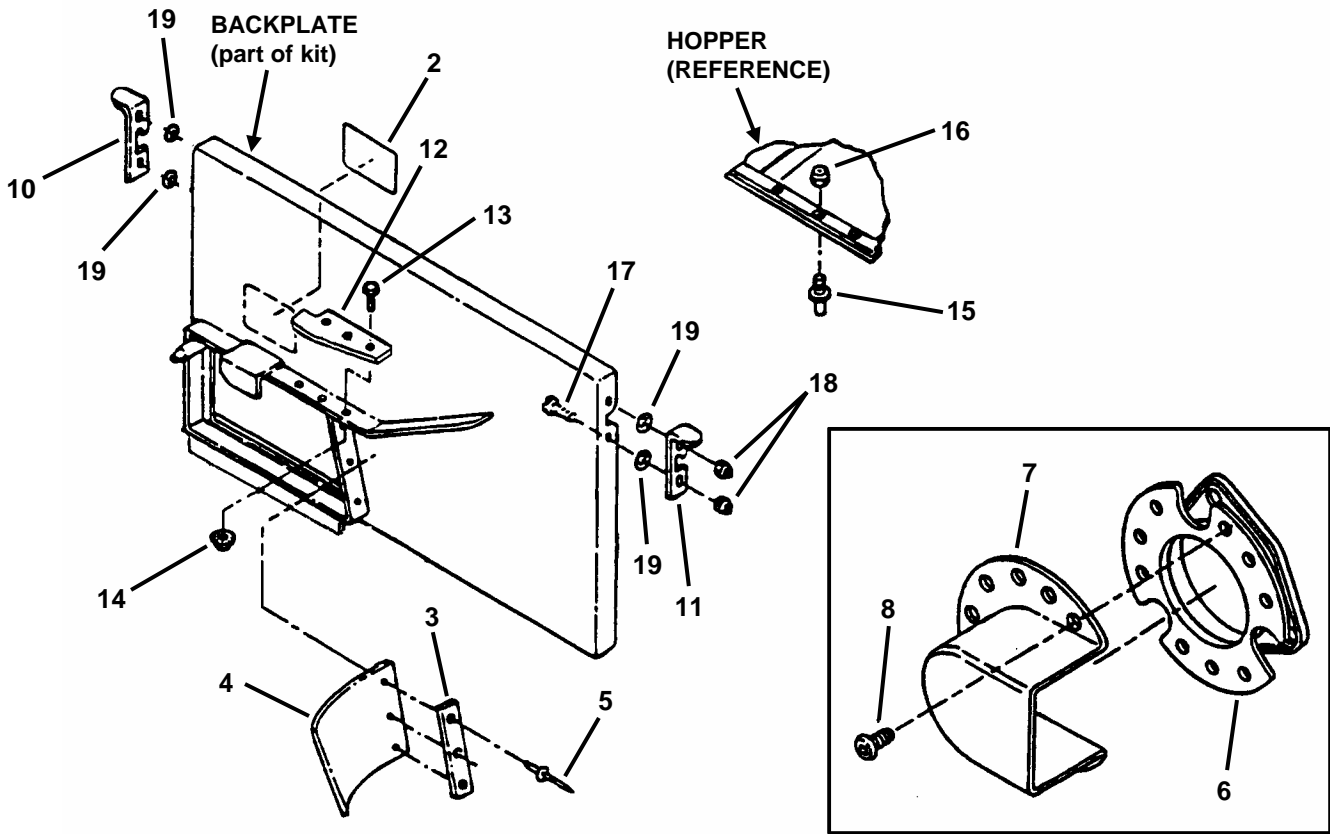


ITEM	PART NO.	DESCRIPTION
--	6-1105	KIT, Grass Catcher Hopper Replacement (Includes items 1 thru 5)
1	7-6585	HANDLE, Hopper (2)
2	7-6586	PLATE, Handle Brace (2)
3	7-6978	NUT, 1/4-20 Hex Nyloc (4)
4	9-0548	SCREW, 1/4-20 x 1" Hex Head Cap, Grade 5 (4)
5	7-7296	ASSEMBLY, Hopper with Frame (Includes items 6 thru 11)
6	1-9295	DECAL, Snapper
7	7-6583	DECAL, Warning
8	7-6411	FRAME, Hopper
9	7-6588	WASHER, Grass Catcher (15)
10	7-6589	PLATE, Skid
11	7-7294	ASS'Y, HOPPER w/Screens (Includes items listed below)
12	7-7358	HOPPER, Grass Catcher
13	7-7360	SCREEN, Top Rear
14	7-7706	POP RIVET, 1/8 x .453 Aluminum (20)
15	7-7359	SCREEN, Top Front
16	9-2059	POP RIVET, 3/16 #66 (15)

**NOTE: This kit fits 32", 36" & 48" PRO Mowers. For a complete kit, or if you need to replace parts not shown above you may order kit #6-0798. Pre-assembly of kit #6-1110 (Grass Catcher Mount Kit) is required before use of 6-1105.**



# GRASS CATCHER, MOUNT

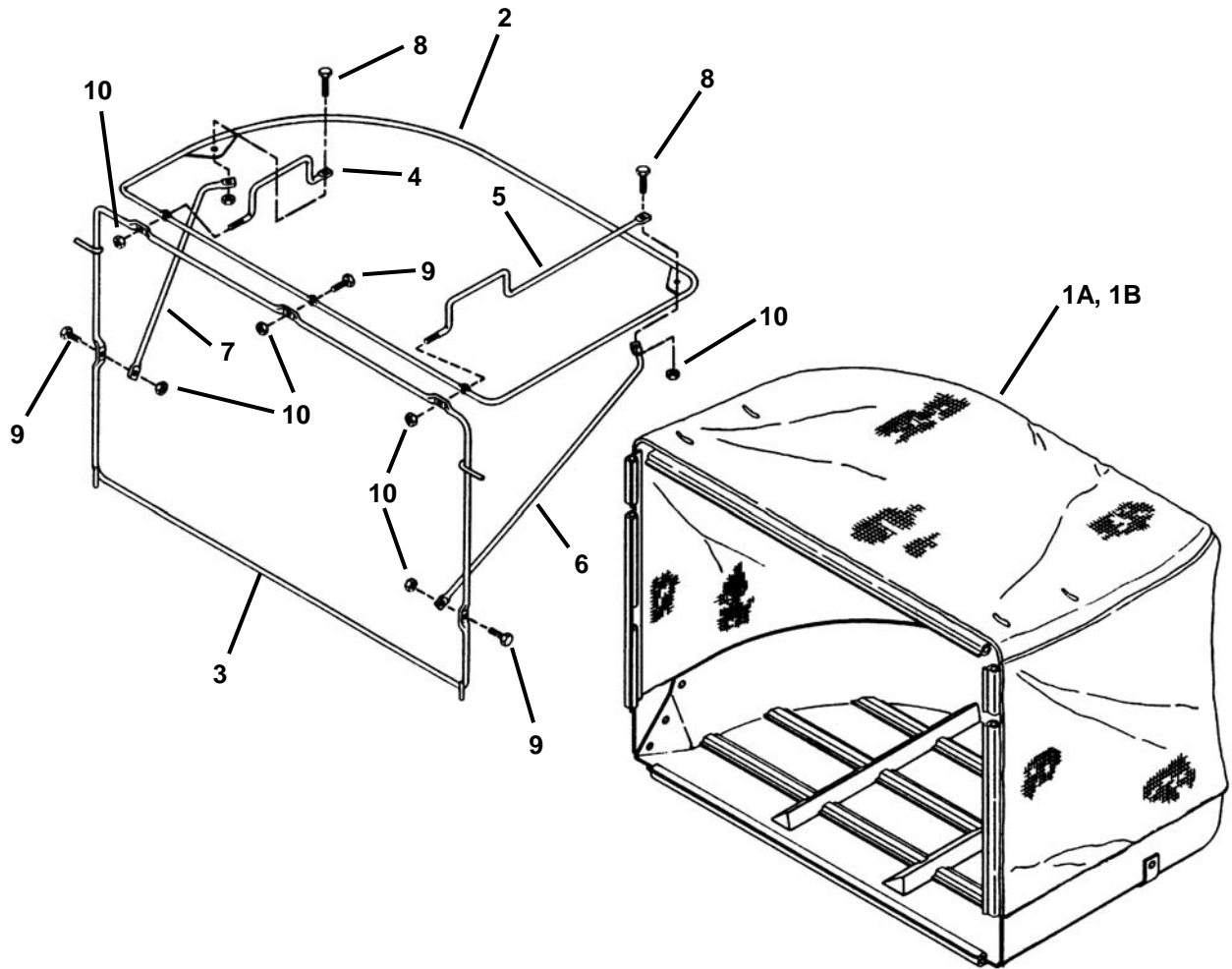


--	6-3032	KIT, Catcher Mounting (Includes items 1 thru 9)
1	5-7700	ASSEMBLY, Back Plate
2	2-2522	DECAL, Warning
3	3-3198	PLATE, Backing
4	4-2750	STRIP, Side Sealing
5	9-1134	POP RIVET (3)
6	3-4156*	CAP, Deflector
7	3-4157*	DEFLECTOR, Exhaust
8	3-4158*	SCREW, Deflector Mounting (3)
9	6-3034	BAG, Hardware (Includes the items listed below)
10	3-3433	LATCH, Left Side
11	3-3432	LATCH, Right Side
12	4-6383	STRIP, Top Seal
13	9-1495	SCREW, 1/4-20 x 3/4" Hex Head Cap (3)
14	9-1545	NUT, 1/4-20 Hex Flange Lock (3)
15	1-5464	STUD, 3/8-24 Thread
16	9-0854	NUT, 3/8-24 Hex Nyloc
17	7-6952	SCREW, #10-24 x 5/8" Pan Head (4)
18	9-1290	NUT, #10-24 Hex Nyloc (4)
19	7-6983	WAVE WASHER (spring)

**\*NOTE:**  
**These parts are required  
on Kawasaki engines  
only.**

This kit will fit on PRO Gear, PRO Gear Express and PRO Hydro Mid Size walk-behind mowers, and must be installed prior to using Cloth Grass Catcher Kit #6-3033. With deck models SP320, SP360, SPA360, SPE360, SP480, SPA520 & SPA610, install items 12, 13 and 14 as shown above. Omit this step in all other deck models.

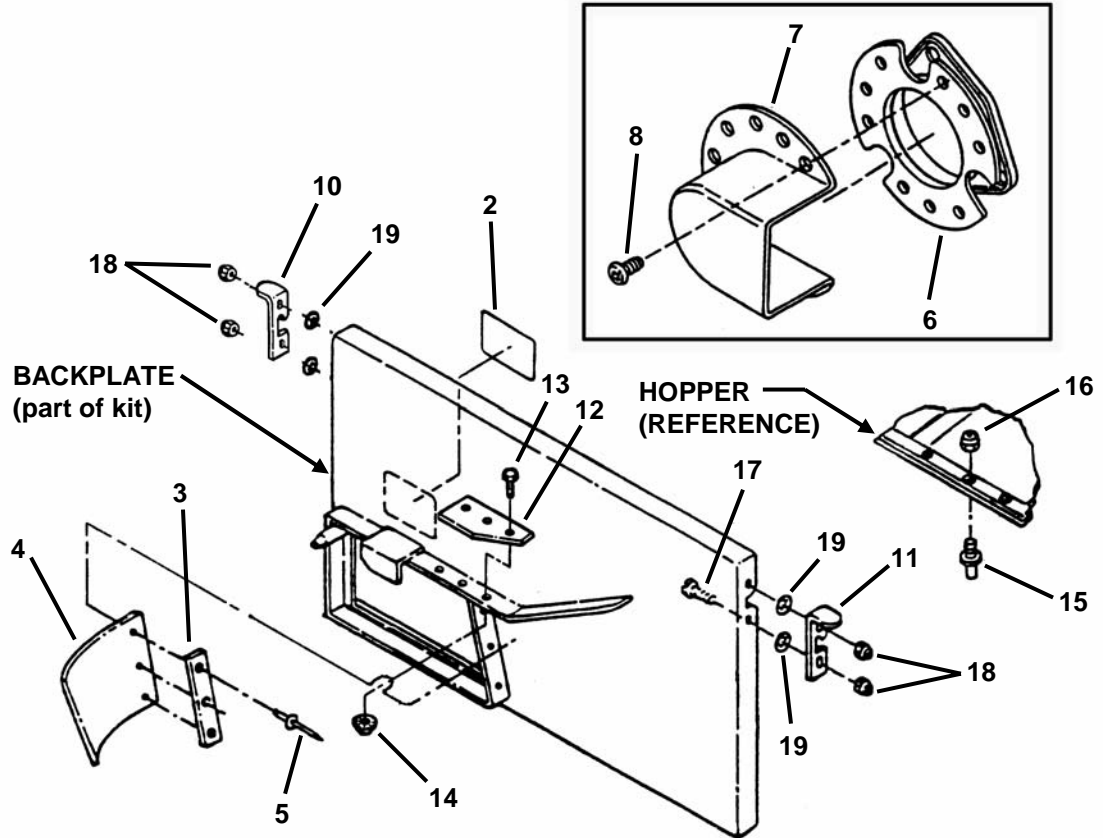
## GRASS CATCHER, CLOTH



ITEM	PART NO.	DESCRIPTION
--	6-3033	KIT, Cloth Bag Catcher (Includes items 1A thru 10)
--	6-3108	KIT, Cloth Bag Catcher (Includes items 1B thru 10)
1A	5-7703	BAG, Cloth Grass
1B	5-8461	BAG, Cloth Grass
2	4-0740	WELDMENT, Top Frame
3	4-0741	WELDMENT, Front Frame
4	3-3381	HANDLE, Short
5	3-3171	HANDLE, Long
6	3-3380	BRACE, Large
7	3-3382	BRACE, Small
8	9-0825	SCREW, 1/4-20 x 1-1/4" Hex Head Cap (2)
9	9-0643	SCREW, 1/4-20 x 7/8" Hex Head Cap (3)
10	7-6978	NUT, 1/4-20 Hex Nyloc (7)

**NOTE:** These kits must be used with #6-3032 Catcher Mount Kit which must be installed first. See previous page for listing of models which accept this kit.

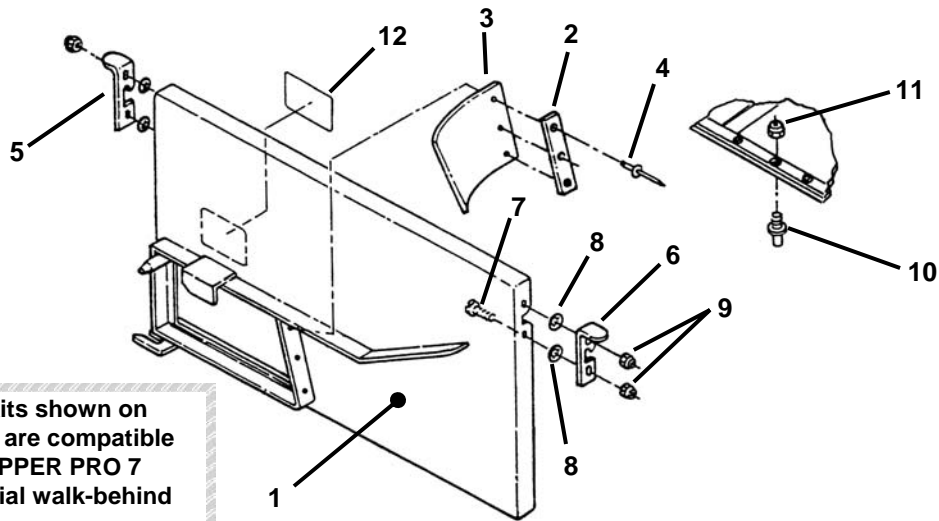
# GRASS CATCHER MOUNT



ITEM	PART NO.	DESCRIPTION
--	6-1853	KIT, Grass Catcher Mount (Includes items 1 thru 9)
1	5-4067	ASSEMBLY, Backplate
2	2-2522	DECAL, Warning
3	3-3198	PLATE, Backing
4	3-3199	STRIP, Side Sealing
5	9-1134	POP RIVETS (3)
6	3-4156*	CAP, Deflector
7	3-4157*	DEFLECTOR, Exhaust
8	3-4158*	SCREW, Deflector Mounting (3)
9	6-1108	BAG, Hardware (Includes the items listed below)
10	3-3433	LATCH, Left Side
11	3-3432	LATCH, Right Side
12	4-2751	STRIP, Top Seal
13	9-1495	SCREW, 1/4-20 x 3/4" Hex Head Cap (3)
14	9-1545	NUT, 1/4-20 Hex Flange Lock (3)
15	1-5464	STUD, 3/8-24 Thread
16	9-0854	NUT, 3/8-24 Hex Nyloc
17	7-6952	SCREW, #10-24 x 5/8" Pan Head (4)
18	9-1290	NUT, #10-24 Hex Nyloc (4)
19	7-6983	WAVE WASHER (spring)

**\*NOTE:**  
**These parts are required on Kawasaki engines only.**

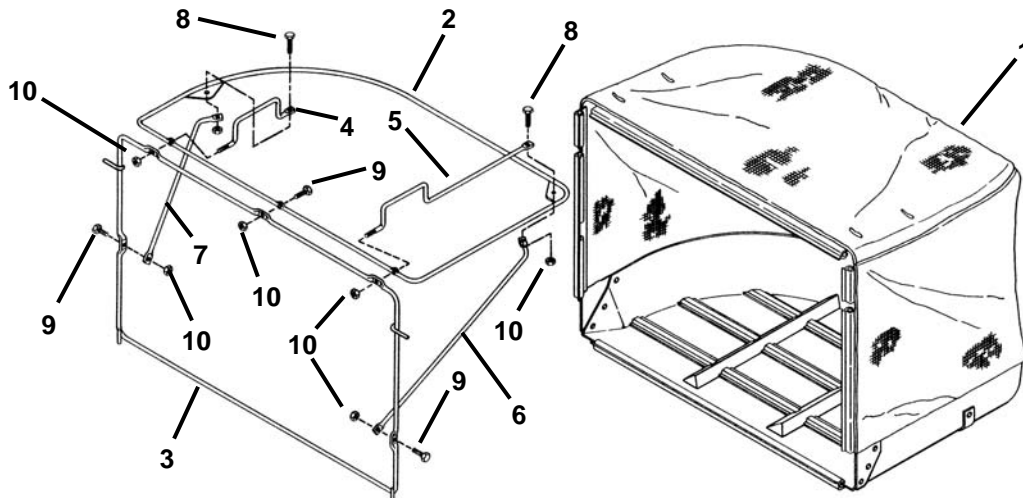
## GRASS CATCHER, MOUNT



**NOTE:** The two kits shown on this page are compatible with SNAPPER PRO 7 commercial walk-behind mowers.

ITEM	PART NO.	DESCRIPTION	ITEM	PART NO.	DESCRIPTION
--	6-1110	KIT, Grass Catcher Mount (Includes items 1-12)	6	3-3432	LATCH, Right
1	4-0736	PLATE, Mounting	7	7-6952	SCREW, #10-32 x 5/8" Pan Head (4)
2	3-3198	BACKING PLATE	8	7-6983	WASHER, Spring (4)
3	3-3199	SEALING STRIP	9	7-6977	NUT, #10-24 Hex Nyloc (4)
4	9-1134	"POP" RIVET, 3/16 x 5/8" (3)	10	1-5464	STUD, 3/8-24 Thread
5	3-3433	LATCH, Left	11	9-0854	NUT, 3/8-24 Hex Nyloc
			12	2-2522	DECAL, Caution

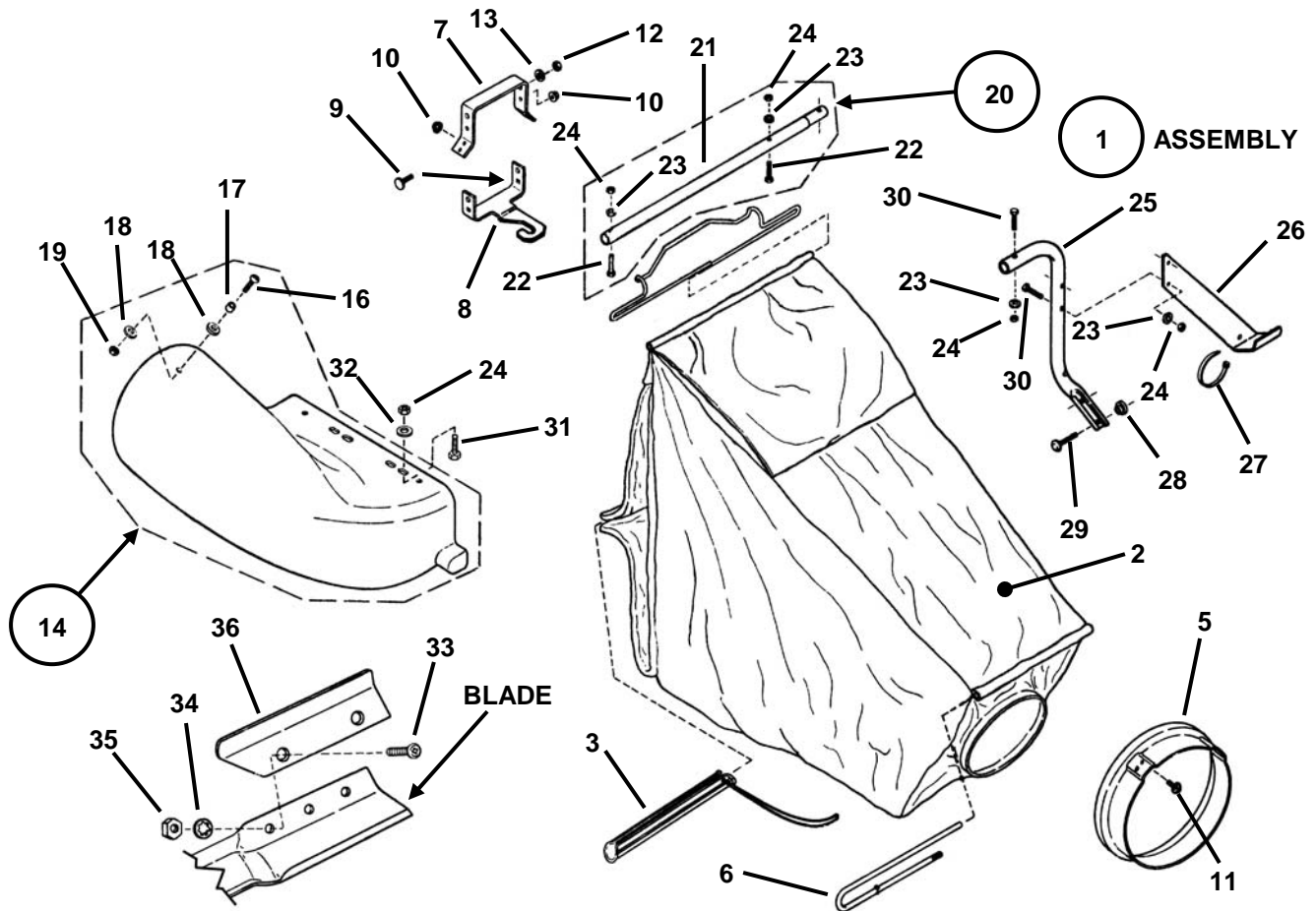
## GRASS CATCHER, CLOTH



ITEM	PART NO.	DESCRIPTION
--	6-1111	KIT, Cloth Grass Catcher (Incl. items 1 thru 10)
1	5-2340	GRASS BAG, Cloth
2	4-0740	WELDMENT, Top Frame
3	4-0741	WELDMENT, Front Frame
4	3-3381	HANDLE, Short
5	3-3171	HANDLE, Long
6	3-3380	BRACE, Large
7	3-3382	BRACE, Small
8	9-0825	SCREW, 1/4-20 x 1-1/4" Hex Head Cap, Grade 5 (2)
9	9-0643	SCREW, 1/4-20 x 7/8" Hex Head Cap, Grade 5 (3)
10	7-6978	NUT, 1/4-20 Hex Nyloc (7)

**NOTE:** Assembly of the above kit (6-1110) is required prior to use of kit no. 6-1111.

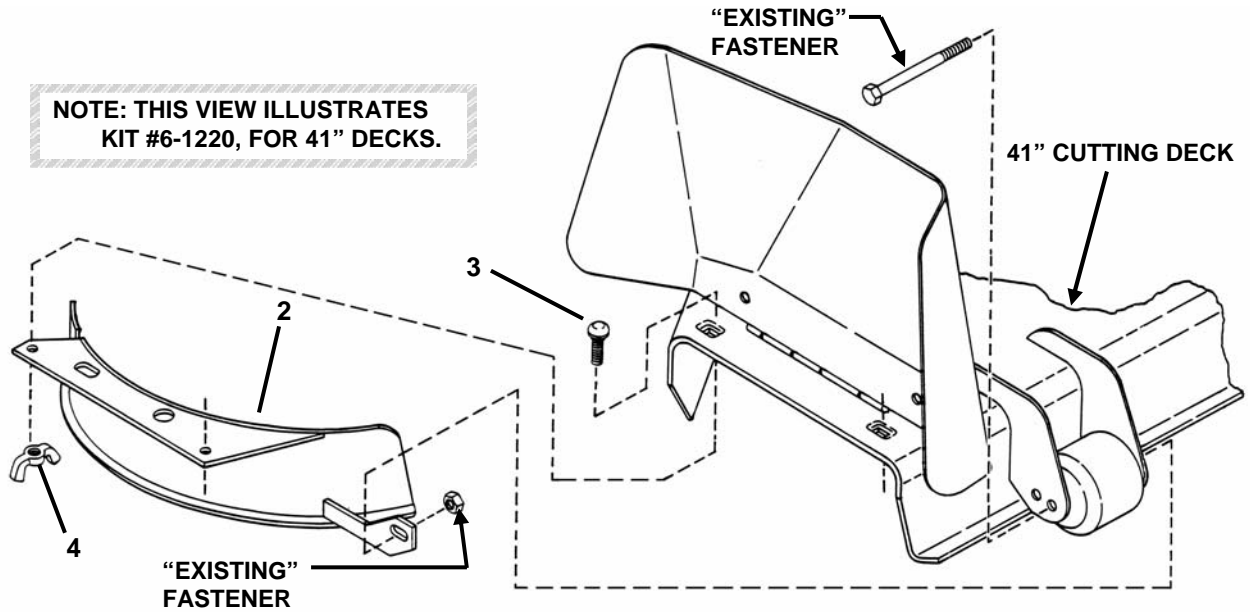
# GRASS CATCHER



ITEM	PART NO.	DESCRIPTION	ITEM	PART NO.	DESCRIPTION
--	6-0835	KIT, Grass Catcher (Incl. 1-36)	19	9-0372	NUT, 1/4-20 Hex Center Lock
1	5-1709	ASS'Y., Bag (Incl. 2 thru 13)	20	5-1711	SUPPORT ASS'y, Bag, Rear (Includes items 21 thru 24)
2	1-5896	BAG, Grass	21	2-7671	TUBE, Rear Support, Bag
3	5-1717	SLIDER, Grass Bag (Incl. rope)	22	9-0529	BOLT, 1/4-28 x 1-1/4" Hex (2)
4	1-8959	WIRE, Bag Support, Rear	23	9-0053	WASHER, 1/4" Lock (5)
5	1-7008	ADAPTER, Bag, front	24	9-0095	NUT, 1/4-28 Hex (7)
6	2-7670	WIRE, Bag, Front	25	3-6229	SUPPORT TUBE, Rear Bag
7	3-8336	ADAPTER, Handle	26	3-8335	BRACKET, Support
8	3-8337	LATCH, Chute	27	1-5509	CABLE-TIE
9	9-0803	BOLT, 1/4-20 x 5/8" Carr. (2)	28	1-4729	ROLLER
10	9-0583	NUT, 1/4-20 Hex Flange (6)	29	9-0959	BOLT, 5/16-18 x 2-1/2" Carriage
11	9-0074	BOLT, 1/4-20 x 3/4" Carr. (4)	30	9-0552	SCREW, 1/4-28 x 1-3/8" (3)
12	9-0155	NUT, 3/8-24 Hex	31	9-0541	SCREW, 1/4-28 x 3/4" Hex (2)
13	9-0390	WASHER, 3/8" Int. Tooth Lock	32	9-0598	WASHER, 1/4" Flat (2)
14	5-1710	ADAPTER ASS'Y (Incl. 15-19)	33	9-0228	SCREW, 5/16-24 x 21/32" (4)
15	5-1663	CHUTE ASSEMBLY	34	9-0391	WASHER, 5/16" Int'l. Tooth (4)
16	9-0847	SCREW, 1/4-20 x 3/4" Rd. Hd.	35	9-0223	NUT, 5/16-24 Hex (4)
17	1-0916	SPACER	36	3-1724	AIR LIFT (2)
18	1-1763	WASHER, 5/16" Flat (2)			

**NOTE:** This kit will fit models Y30080 & Y30120 Mid-Duty Commercial Walk-Behind mowers. Model Y41120 requires the inclusion of 5-1739, Extension Assembly, in addition to kit 6-0835.

## MULCHING (PAGE 1 OF 2)



ITEM	PART NO.	DESCRIPTION
--	6-1976	KIT, Mulching, 32" Deck (Includes items 1 thru 4)
1	2-4868	BLADE, 16.5" Quad Edge (2)
2	4-4733	WELDMENT, Mulching Cover, 32"
3	9-0367	SCREW, 1/2-20 x 3/4" Hex Head Cap
4	9-0559	NUT, 1/2-20 Hex Jam

**NOTE: Kit # 6-1976 replaces Kit #6-1850.**

ITEM	PART NO.	DESCRIPTION
--	6-1977	KIT, Mulching, 36" Deck (Includes items 1 thru 4)
1	2-4869	BLADE, 18" Quad Edge (2)
2	4-4736	WELDMENT, Mulching Cover, 36"
3	9-0367	SCREW, 1/2-20 x 3/4" Hex Head Cap
4	9-0559	NUT, 1/2-20 Hex Jam

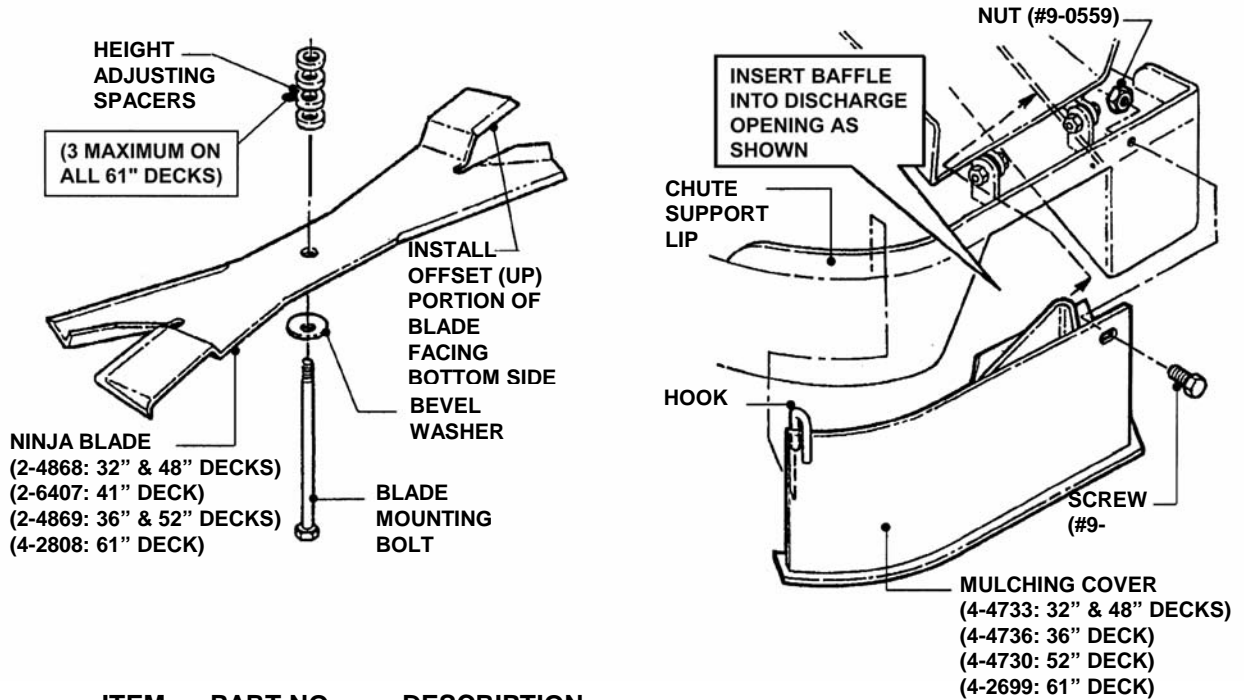
**NOTE: Kit # 6-1977 replaces Kit #6-1851.**

ITEM	PART NO.	DESCRIPTION
--	6-1220	KIT, Mulching, 41" Deck (Includes items 1 thru 4)
1	2-6407	BLADE, 21" Ninja, Quad Edge (2)
2	4-1372	WELDMENT, 41" Recycling Cover
3	9-0316	BOLT, 5/16-18 x 3/4" Square Neck Carriage, Grade 5 (2)
4	9-0375	NUT, 5/16-18 Wing Lock (2)

**NOTE: Kit # 6-1220 is for 41" & 42" non-adjustable roller decks.**

## MULCHING (Page 2 of 2)

#6-1976 Mulching Kit for Deck SP320	#6-1979 Mulching Kit for Deck SPA520
#6-1977 Mulching Kit for Decks SP360 & SPA360	#6-1885 Mulching Kit for Deck SPA610
#6-1978 Mulching Kit for Deck SP480 & SPA480	



ITEM	PART NO.	DESCRIPTION
--	6-1978	KIT, Mulching, 48" Deck (Includes items 1 thru 4)
1	2-4868	BLADE, 16.5" Quad Edge (3)
2	4-4733	WELDMENT, Mulching Cover, 32"
3	9-0367	SCREW, 1/2-20 x 3/4" Hex Head Cap
4	9-0559	NUT, 1/2-20 Hex Jam

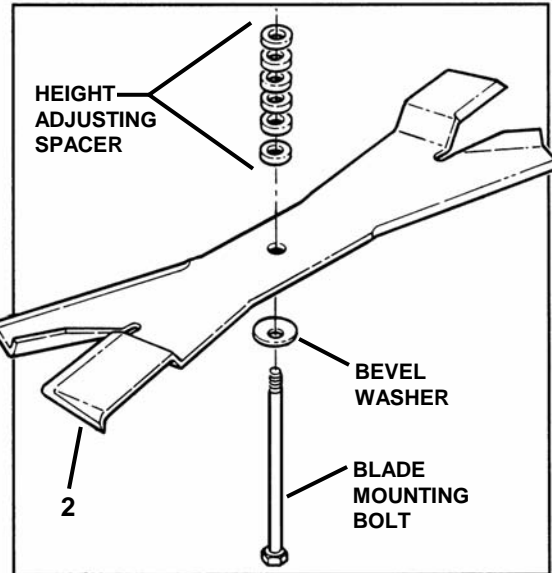
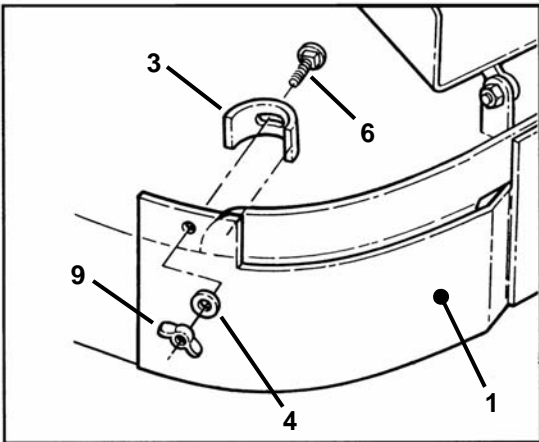
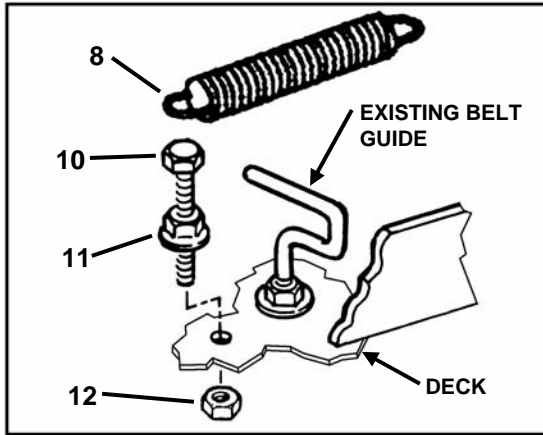
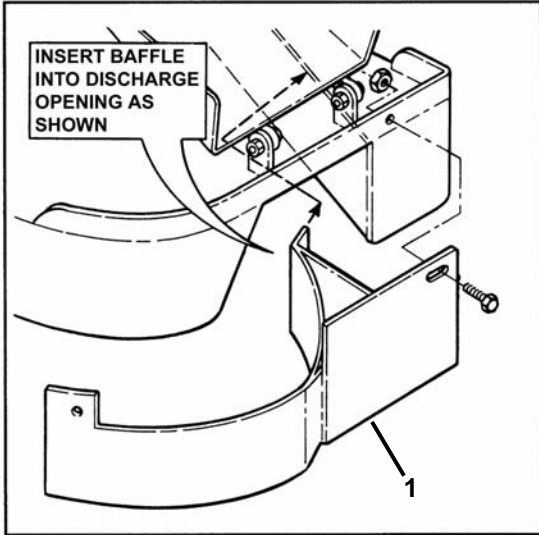
NOTE: Kit # 6-1978 replaces Kit #6-1854.

ITEM	PART NO.	DESCRIPTION
--	6-1979	KIT, Mulching, 52" Deck (Includes items 1 thru 4)
1	2-4869	BLADE, 18" Quad Edge (3)
2	4-4730	WELDMENT, Mulching Cover, 52"
3	9-0367	SCREW, 1/2-20 x 3/4" Hex Head Cap
4	9-0559	NUT, 1/2-20 Hex Jam

NOTE: Kit # 6-1979 replaces Kit #6-1852.

ITEM	PART NO.	DESCRIPTION
--	6-1885	KIT, Mulching, 61" Deck (Includes items 1 thru 4)
1	4-2808	BLADE, 21" Ninja, Commercial (3)
2	4-2699	WELDMENT, 61" Baffle
3	9-0367	SCREW, 1/2-20 x 3/4" Hex Head Cap
4	9-0559	NUT, 1/2-20 Hex Jam

# MULCHING

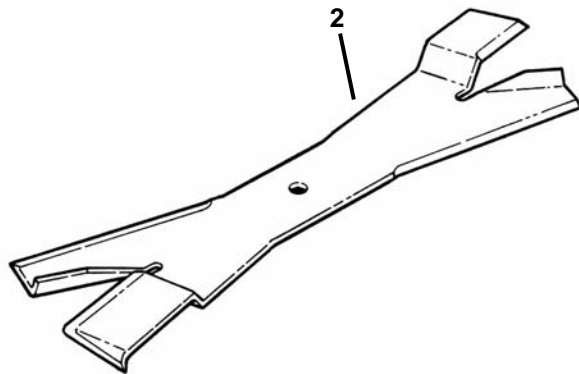
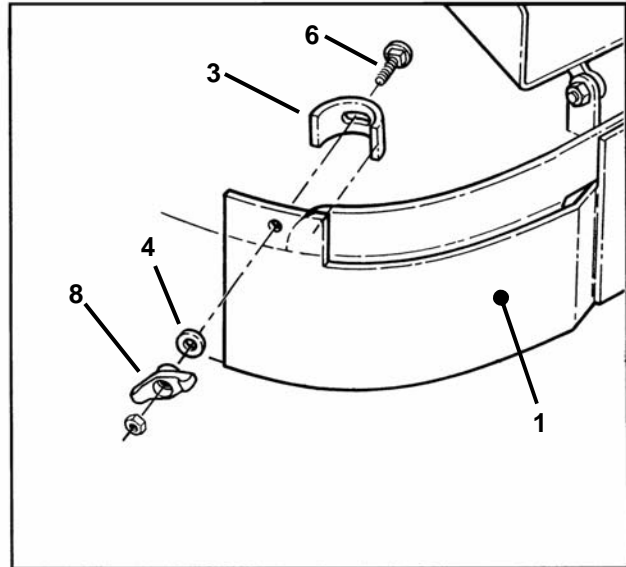
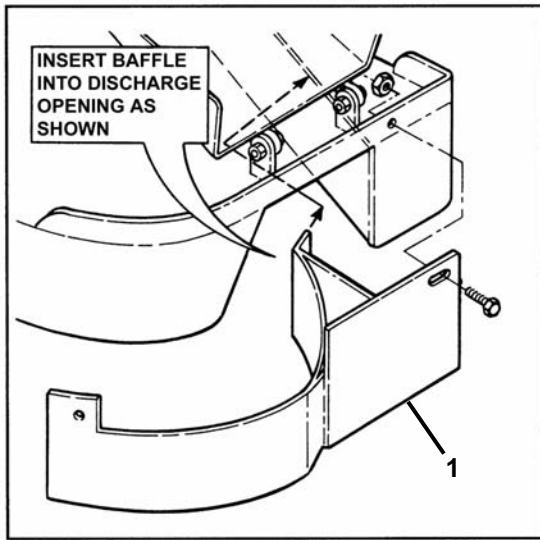


ITEM	PART NO.	DESCRIPTION
--	6-1218	KIT, Mulching, 36" Deck (Includes items 1 thru 12)
1	2-4810	WELDMENT, 36" Recycling Baffle
2	2-4869	BLADE, 18" Quad Edge (2)
3	3-1123	CLAMP
4	9-0188	WASHER, 5/16" Flat
5	9-0559	NUT, 1/2-20 Hex Jam
6	9-0577	BOLT, 5/16-18 x 1-1/2" Square Neck Carriage, Grade 5
7	9-1502	BOLT, 1/2-20 x 3/4" Hex Washer Face w/Nylon Patch, Grade 5
8	2-6197	SPRING, Idler Return
9	3-5744	KNOB, 5/16-18 Wing
10	7-6935	SCREW, 5/16-18 x 1-1/2" Hex Head Cap
11	9-0585	NUT, 5/16-18 Hex Flange Lock
12	9-0717	NUT, 5/16-18 Hex Nyloc

**NOTE: Kit 6-1218 will fit the PRO 736 Deck.**



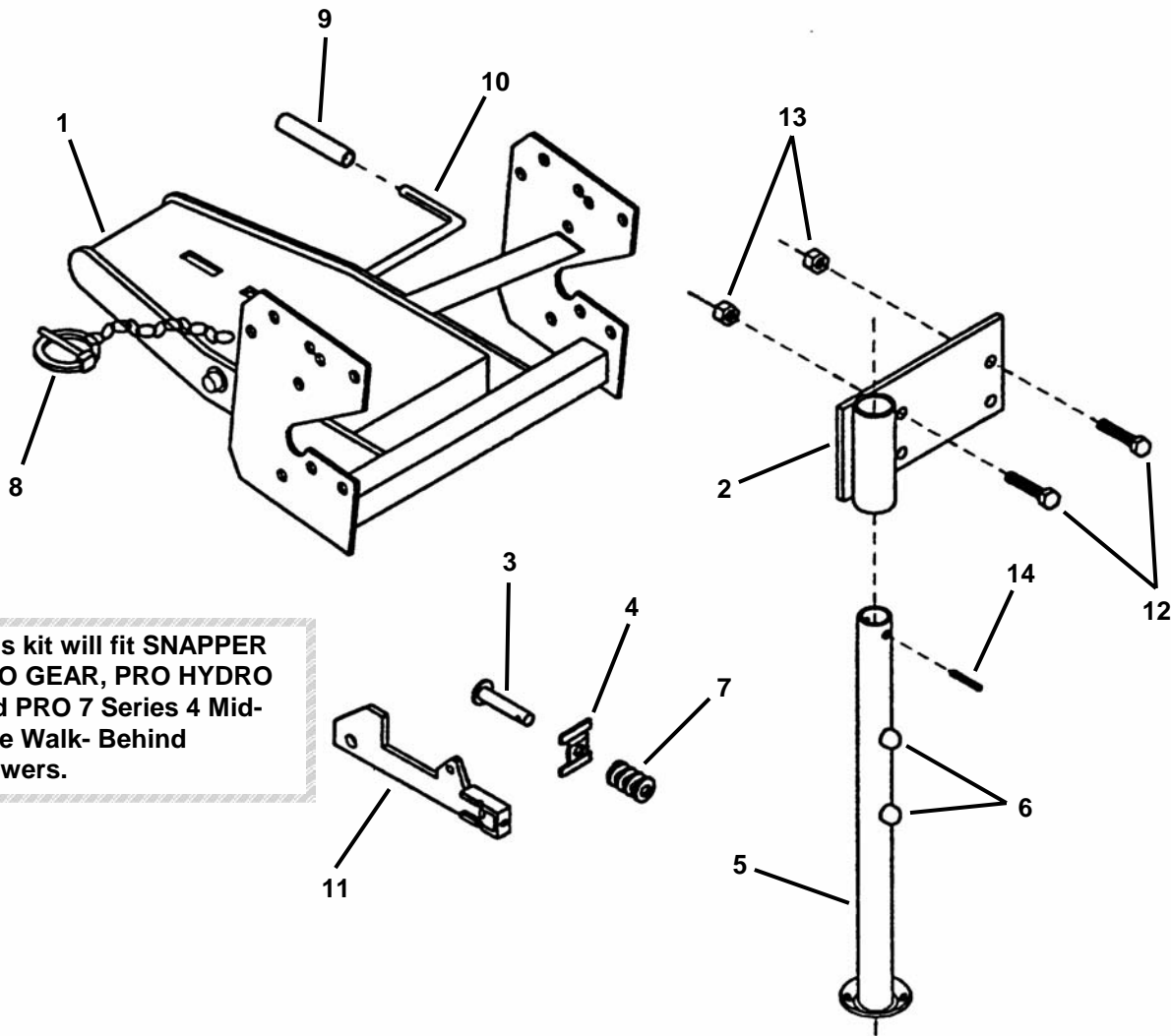
# MULCHING



ITEM	PART NO.	DESCRIPTION
--	6-1219	KIT, Mulching, 48" Deck (Includes items 1 thru 8)
1	2-4811	WELDMENT, 48" Recycling Baffle
2	2-4868	BLADE, 16-1/2" Quad Edge (3)
3	3-1123	CLAMP
4	9-0188	WASHER, 5/16" Flat
5	9-0559	NUT, 1/2-20 Hex Jam
6	9-0577	BOLT, 5/16-18 x 1-1/2" Square Neck Carriage, Grade 5
7	9-1502	BOLT, 1/2-20 x 3/4" Hex Washer Face w/Nylon Patch, Grade 5
8	1-6324	T-KNOB, Plastic (accepts 5/16-18 nut)

**NOTE: Kit 6-1219 will fit the PRO 748 Deck.**

## QUICK HITCH



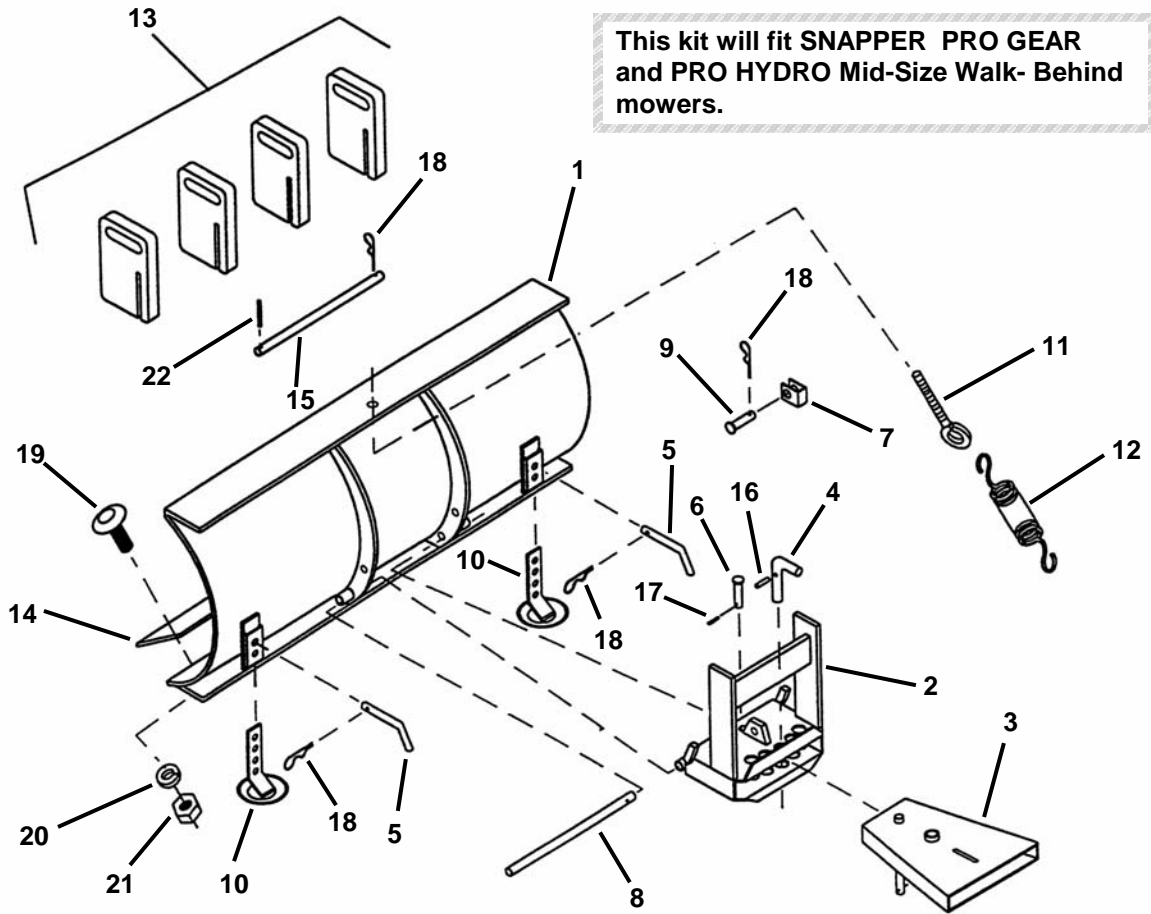
This kit will fit SNAPPER PRO GEAR, PRO HYDRO and PRO 7 Series 4 Mid-Size Walk- Behind mowers.

ITEM	PART NO.	DESCRIPTION
--	6-3002	KIT, Quick Hitch (Incl. items 1 thru 11; 12 thru 14 not part of kit)
1	663854*	HITCH, Male Quick
2	664014*	SUPPORT, Parking Stand
3	657384*	PIN, 1/4" x 1-11/16" Clevis
4	657383*	PLATE, Spring
5	664022*	STAND, Parking
6	663601*	BUTTON, Snap (2)
7	657385*	SPRING
8	657632*	ASSEMBLY, Chain & Linch Pin
9	656797*	GRIP, Handle
10	664028*	LEVER, Male Hitch
11	657382*	LATCH
12	9-1304	BOLT, 3/8-16 x 1" Hex Head, Grade 5 (2)
13	9-0613	NUT, 3/8-16 Hex Lock (2)
14	--	PIN, 5/32 x 2" Cotter

\*RAD Technologies, Inc. part number (other numbers are Snapper)

# 46" DOZER BLADE

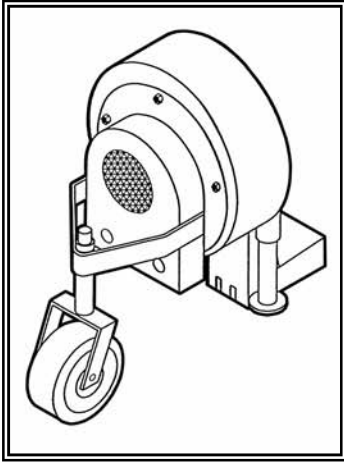
This kit will fit SNAPPER PRO GEAR and PRO HYDRO Mid-Size Walk- Behind mowers.



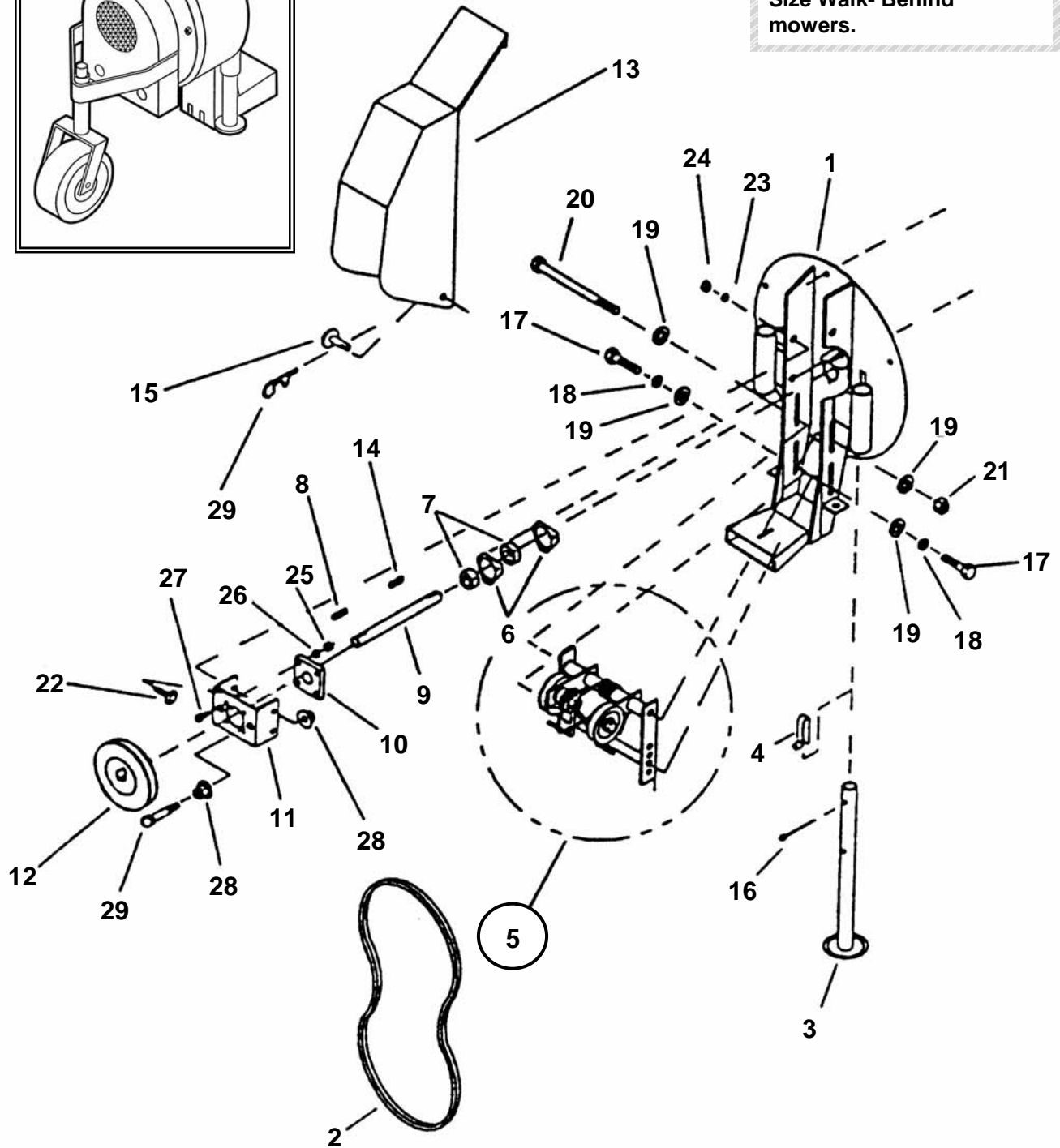
ITEM	PART NO.	DESCRIPTION
--	6-3005	KIT, 46" Dozer Blade (Incl. items 1 thru 15; 16 thru 22 not part of kit)
1	657501*	WELDMENT, Blade
2	657291*	BOX, Hitch
3	662963*	HITCH, Female Quick
4	657290*	PIN, Adjustment
5	657293*	PIN, Skid Shoe (2)
6	657289*	PIN, Pivot
7	657488*	LOCK OUT, Trip Spring (2)
8	657871*	PIN, 3/4" Dia. x 17-3/4" Long
9	657489*	PIN, Trip Spring Lock-Out (2)
10	657500*	SKID SHOE (2)
11	656229*	EYE BOLT, 5/16-18 x 5" Long w/Hex Nut
12	30089*	SPRING
13	656783*	COUNTERWEIGHT (4)
14	657483*	EDGE, Cutting
15	662999*	ROD, Retaining
16	1-3550	ROLL PIN, 3/16" Dia. x 1" Long
17	1-3072	ROLL PIN, 1/4" Dia. x 1" Long
18	--	HAIR PIN, 3,5mm x 65mm (3)
19	9-0208	BOLT, 5/16-18 x 1" Square Neck Carriage (6)
20	9-0187	WASHER, 5/16" Split Lock (6)
21	9-0196	NUT 5/16-18 Hex (6)
22	--	ROLL PIN, 3/16" Dia. x 1-1/2" Long

\*RAD Technologies, Inc. part number (other numbers are Snapper)

# DEBRIS BLOWER (page 1 of 6)



This kit will fit SNAPPER PRO GEAR, PRO HYDRO and PRO 7 Series 4 Mid-Size Walk- Behind mowers.



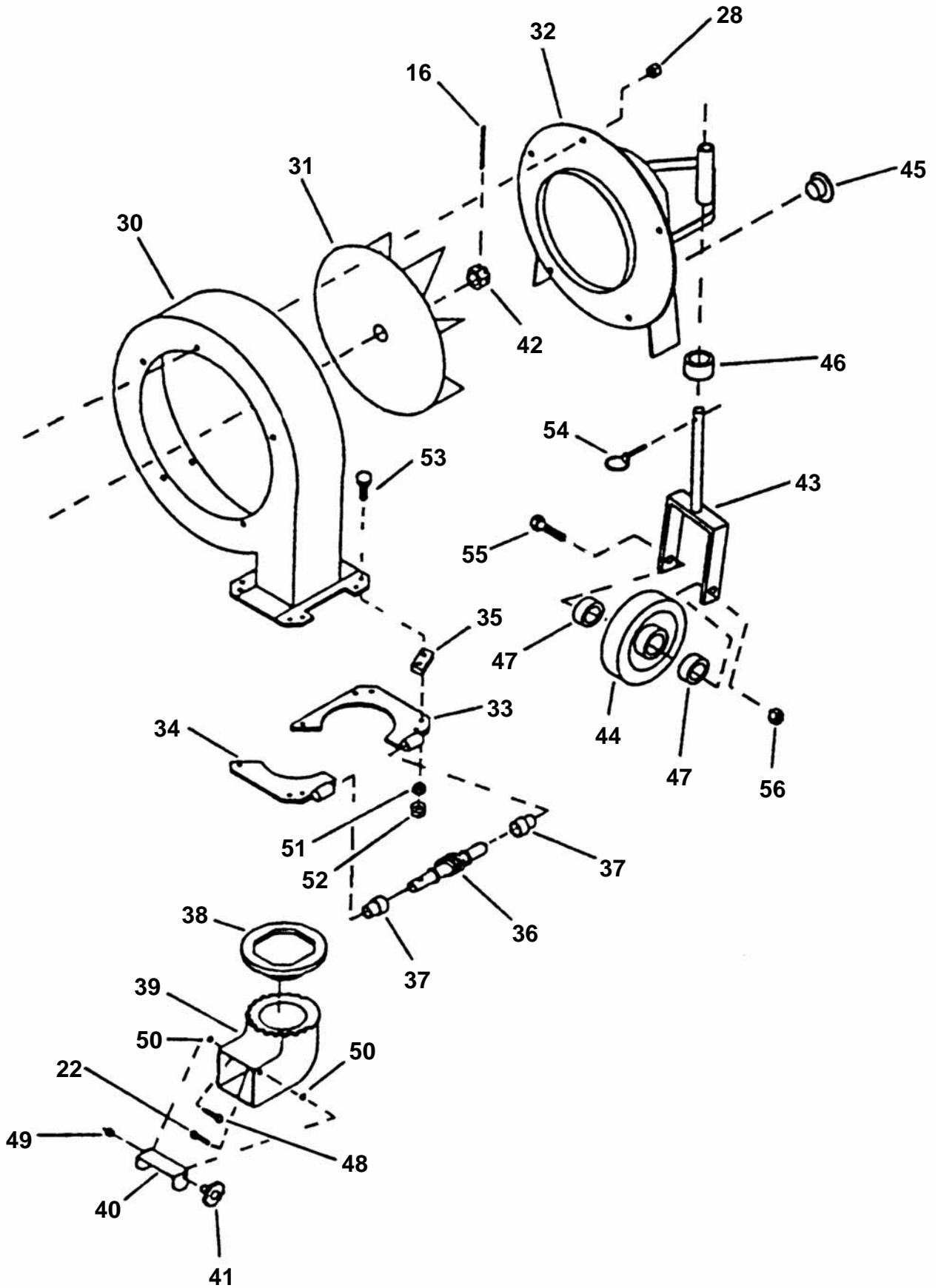
## DEBRIS BLOWER (page 2 of 6)

ITEM	PART NO.	DESCRIPTION
--	6-3006	KIT, Debris Blower (Incl. items 1 thru 15)
1	662643*	HOUSING
2	656069*	BELT, SP Models with Kohler Engine
-	663099*	BELT, PL7H Models
-	663099*	BELT, Models without Kohler Engine
3	662648*	STAND, Parking (2)
4	663601*	SNAP BUTTON (2)
5	(see pg. 40)	ASSEMBLY, Idler
6	656589*	FLANGE, Bearing (2)
7	654532*	BEARING with Locking Collar
8	655379*	KEY, 1/4" Square x 1" long
9	662806*	SHAFT
10	662956*	BEARING
11	662713*	BOX, Reduction
12	663851*	PULLEY, MB50
13	662710*	COVER, Belt
14	660924*	KEY, 1/4" Square x 2-1/2" long
15	662926*	COVER PIN, 1/4" Dia. x 1/2" long (2)
16	--	PIN, 3/16" Dia. x 2" Cotter (3)
17	--	BOLT, 3/8-16 x 1-1/4" Hex (4)
18	--	WASHER, 3/8" Lock (2)
19	9-1595	WASHER, 7/16" Flat (13)
20	--	BOLT, 3/8-16 x 8-1/2" Hex Head (2)
21	9-0130	NUT, 3/8-16 Hex
22	9-0208	BOLT, 5/16-18 x 1" Square Neck Carriage (5)
23	--	WASHER, 5/16" Lock (7)
24	9-0196	NUT, 5/16-18 Hex, Grade 5 or B (7)
25	9-0449	NUT, 7/16-14 (4)
26	--	WASHER, 7/16" Lock (4)
27	--	BOLT, 7/16-14 x 1-1/4" Hex (4)
28	9-0585	NUT, 5/16-18 Hex Flange Lock, Grade 5 or B (14)
29	--	HAIR PIN, 2,5mm x 40mm (2)

**NOTE: Items 16 thru 29, shown on the previous page, are not part of this kit.**

\*RAD Technologies, Inc. part number (other numbers are Snapper)

# DEBRIS BLOWER (page 3 of 6)



## DEBRIS BLOWER (page 4 of 6)

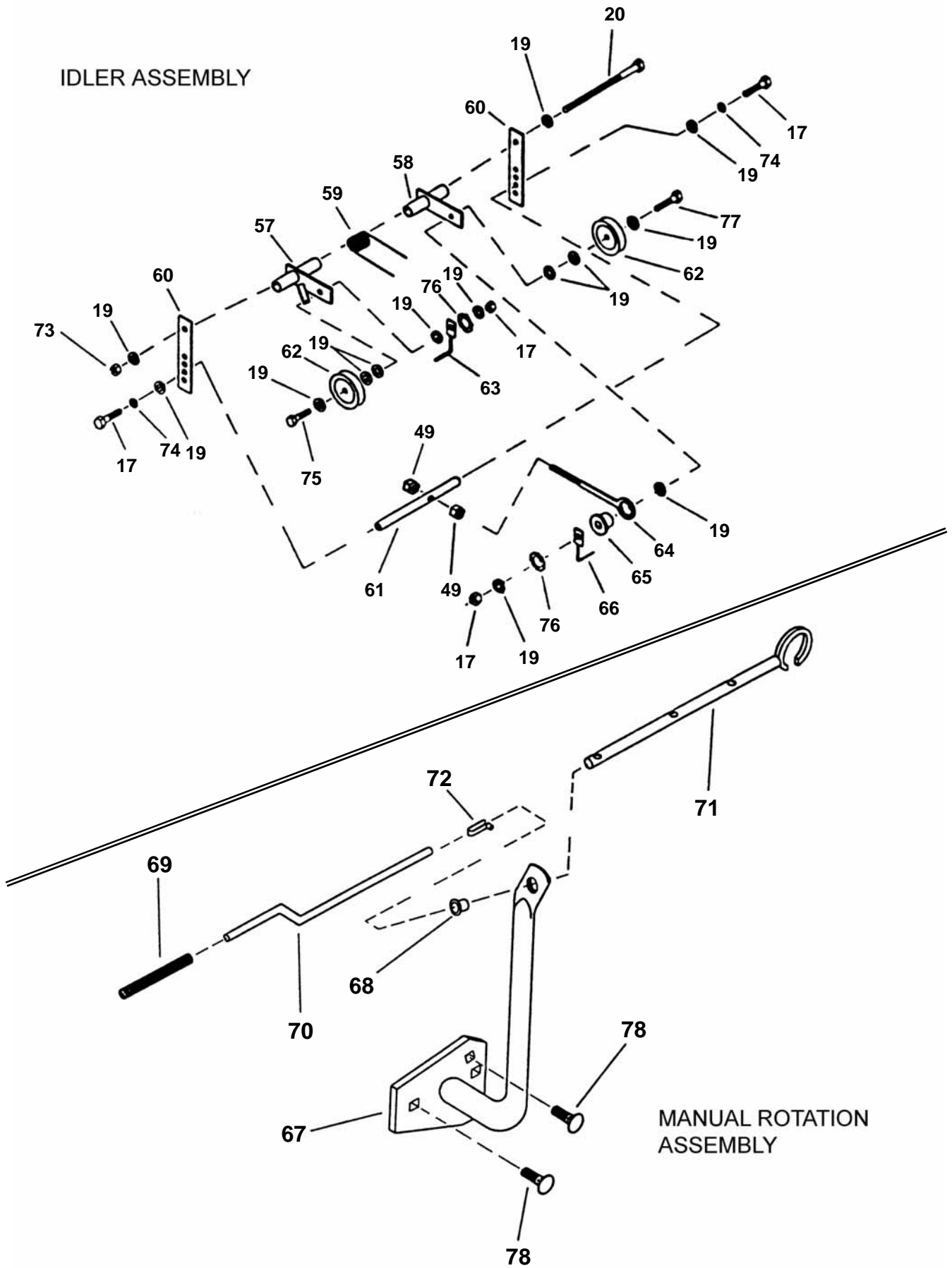
ITEM	PART NO.	DESCRIPTION
--	6-3006	KIT, Debris Blower (continued) (Incl. items 30 thru 47)
30	662639*	HOUSING, Impeller (weldment)
31	662644*	IMPELLER (weldment)
32	662646*	COVER, Intake (weldment)
33	663096*	BRACKET, Rotation
34	661508*	PLATE, Retaining
35	661498*	SPACER, Rotation (4)
36	657331*	WORM
37	657335*	BUSHING, Plastic, 1-5/16" long (2)
38	657338*	RING, Nylon
39	662672*	NOZZLE, Air Blast
40	662734*	DEFLECTOR
41	657309*	KNOB, 5/16"
42	654988*	NUT, 1" Castle
43	663053*	SUPPORT, Wheel (weldment)
44	660953*	ASSEMBLY, Wheel & Tire
45	662825*	CAP (2)
46	662737*	SPACER (for wheel support)
47	662822*	SPACER (for wheel) (2)
48	9-0316	BOLT, 5/16-18 x 3/4" Square Neck Carriage, Grade 5 (4)
49	9-1493	NUT, 5/16-18 Hex Nyloc
50	--	WASHER, 11/32" Diameter (2)
51	--	WASHER, 1/4" Lock (12)
52	9-0063	NUT, 1/4-20 Hex, Grade 5 or B (9)
53	--	BOLT, 1/4-20 x 1" Hex Head (9)
54	--	LINCHPIN, 5/16" Diameter
55	--	BOLT, 5/8-18 x 5-1/2" Hex
56	--	NUT, 5/8-18 Hex Nyloc

**NOTE: Items 48 thru 56, shown on the previous page, are not part of this kit.**

\*RAD Technologies, Inc. part number (other numbers are Snapper)

# DEBRIS BLOWER (page 5 of 6)

## IDLER ASSEMBLY





## DEBRIS BLOWER (page 6 of 6)

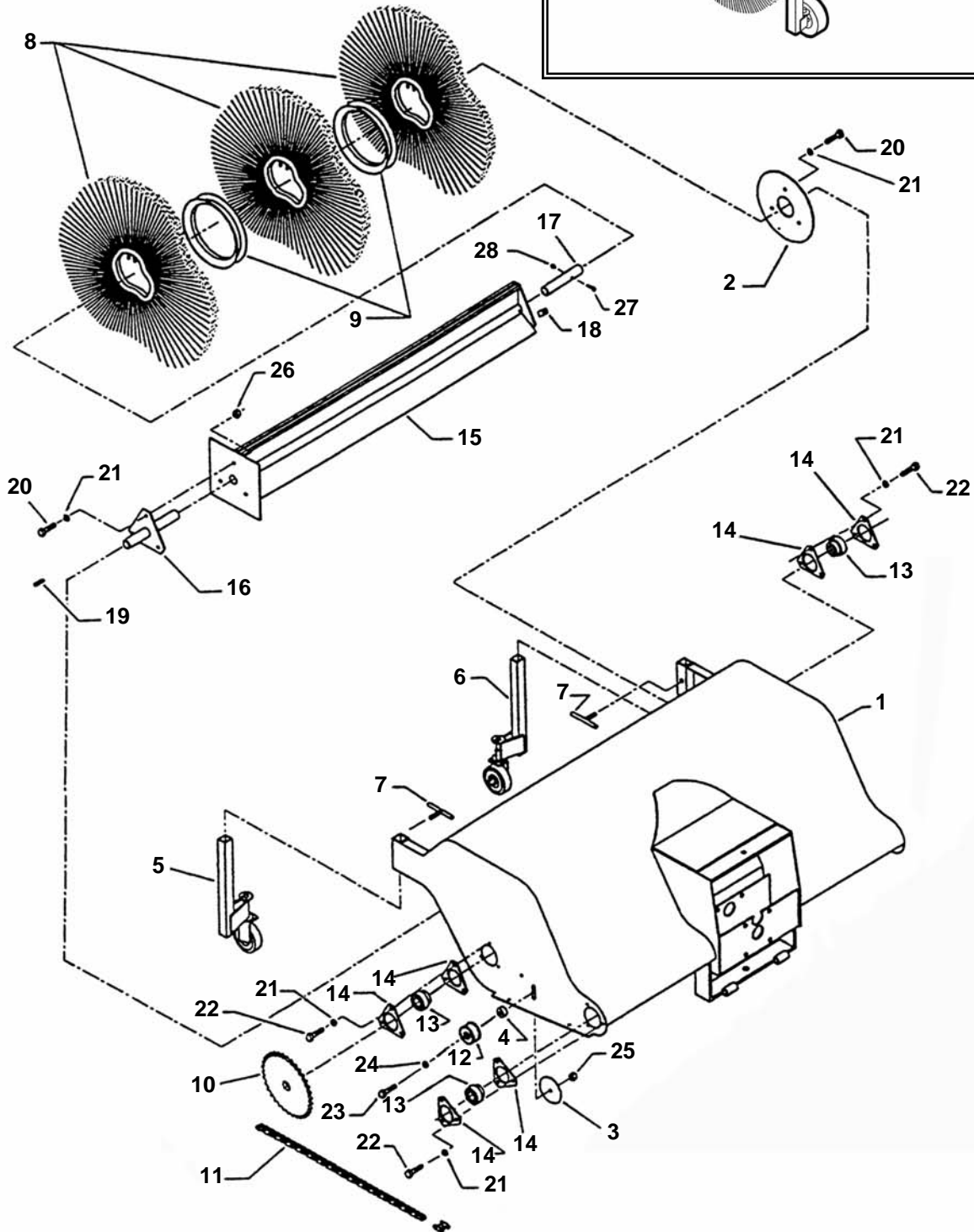
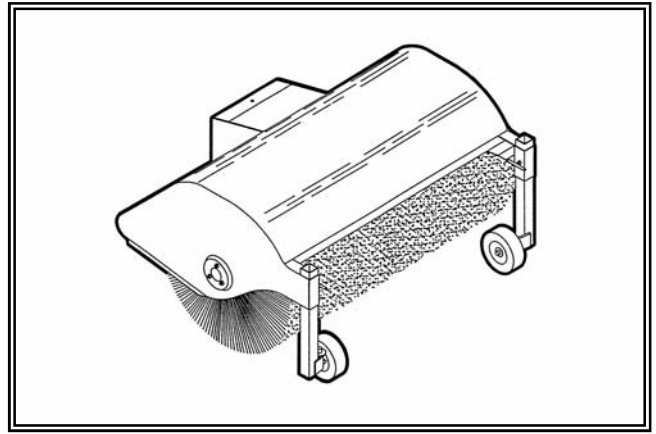
ITEM	PART NO.	DESCRIPTION
--	6-3006	KIT, Debris Blower (continued) (Incl. items 57 thru 72)
57	662969*	BRACKET, Left Idler (weldment)
58	662649*	BRACKET, Right Idler (weldment)
59	663011*	SPRING
60	663014*	BRACKET, Adjusting (2)
61	663038*	ROD, Adjusting
62	659519*	IDLER PULLEY (2)
63	663050*	BELT GUIDE (short bend)
64	663805*	EYE BOLT, 5/16-18
65	663043*	SPACER, Idler
66	663051*	BELT GUIDE (long bend)
67	663962*	SUPPORT, Rotation Handle (weldment)
68	657390*	GROMMET
69	656797*	GRIP, Handle
70	663749*	HANDLE, Rotation
71	658025*	TUBE, Handle
72	663600*	BUTTON, Snap
73	9-1299	NUT, 3/8-16 Hex Nyloc
74	--	WASHER, 3/8" Lock (3)
75	9-0629	BOLT, 3/8-16 x 2-1/4" Hex
76	9-0390	WASHER, 3/8" Internal Tooth Lock (2)
77	--	BOLT, 3/8-16 x 2-3/4" Hex
78	--	BOLT, 3/8-16 x 1-1/4" Square Neck Carriage (2)

**NOTE: Items 73 thru 78, shown on the previous page, are not part of this kit.**

\*RAD Technologies, Inc. part number (other numbers are Snapper)

# 47" ROTARY BROOM (page 1 of 6)

This kit will fit SNAPPER PRO GEAR, PRO HYDRO and PRO 7 Series 4 Mid-Size Walk- Behind mowers.



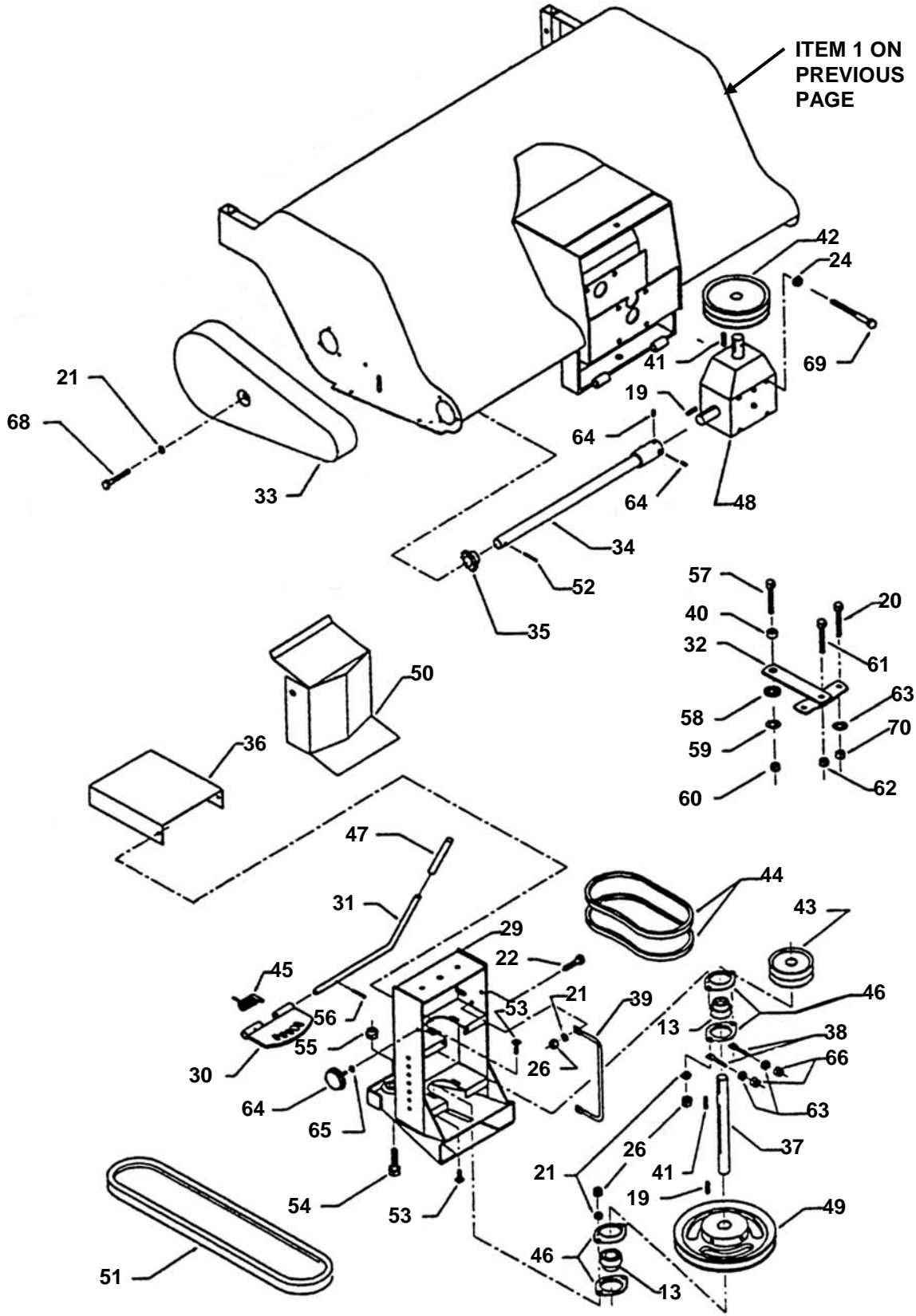
## 47" ROTARY BROOM (page 2 of 6)

ITEM	PART NO.	DESCRIPTION
--	6-3007	KIT, 47" Rotary Broom (Incl. items 1 thru 19)
1	663505*	HOUSING
2	663539*	DISC, Brush Retaining
3	663734*	WASHER, Chain Idler
4	663737*	SPACER, Chain Idler
5	663840*	ASSEMBLY, Left Gauge Wheel
6	663841*	ASSEMBLY, Right Gauge Wheel
7	663537*	SCREW, Locking (2)
8	663492*	BRUSH, Zigzag (14)
9	657999*	RING, Spacer (13)
10	663845*	SPROCKET, Driven (40B48)
11	663866*	CHAIN #40 w/Connecting Link
12	661175*	IDLER, Chain
13	654532*	BEARING w/Locking Collar (5)
14	656589*	BEARING FLANGE (3 holes) (6)
15	663538*	SUPPORT, Brush
16	663654*	DRIVE SHAFT
17	663655*	DRIVEN SHAFT
18	663656*	ANCHOR NUT, 5/16-18 (3)
19	654643*	KEY, 1/4" Square x 1-1/4" (3)
20	--	BOLT, 5/16-18 x 1" Hex (7)
21	--	WASHER, 5/16" Lock (24)
22	--	BOLT, 5/16-18 x 3/4" Hex (14)
23	--	BOLT, 3/8-16 x 2" Hex (2)
24	--	WASHER, 3/8" Lock (7)
25	--	NUT, 3/8-16 Hex (3)
26	9-0196	NUT, 5/16-18 Hex (11)
27	--	BOLT, 1/4-20 x 1-1/2" Hex
28	--	NUT, 1/4-20 Stover

**NOTE: Items 20 thru 28, shown on the previous page, are not part of this kit.**

\*RAD Technologies, Inc. part number (other numbers are Snapper)

# 47" ROTARY BROOM (page 3 of 6)



## 47" ROTARY BROOM (page 4 of 6)

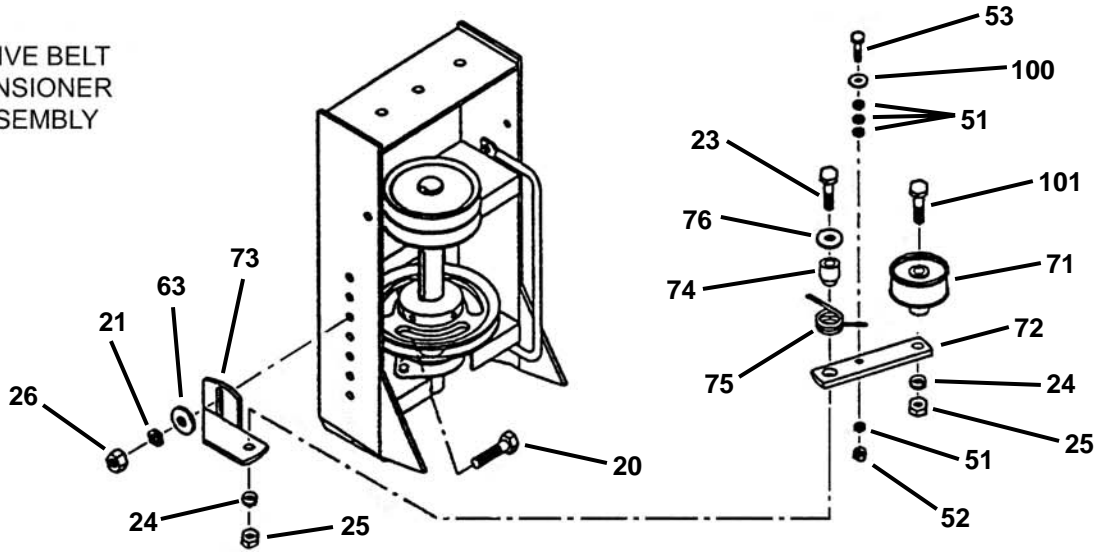
ITEM	PART NO.	DESCRIPTION
--	6-3007	KIT, 47" Rotary Broom (continued) (Incl. items 29 thru 51)
29	663549*	HITCH, Female
30	663551*	ANGLE ADJUSTMENT
31	663640*	HANDLE
32	663663*	COUPLER, Upper
33	663544*	GUARD, Chain
34	663540*	DRIVE SHAFT, Chain
35	663660*	SPROCKET
36	663550*	GUARD, Upper Pulley
37	663857*	SHAFT, Pulley
38	663741*	TENSIONER, Twin Belt (2)
39	663722*	BELT GUIDE
40	659824*	BUSHING, Upper
41	654732*	KEY, 1/4" Square x 1-1/2" long (2)
42	663842*	PULLEY, Twin Belt (2MA60)
43	663843*	PULLEY, Twin Belt (2MA40)
44	663844*	V-BELT (AX26) (2)
45	657989*	SPRING, Torsion
46	654787*	BEARING FLANGE (2 holes) (4)
47	656797*	HANDLE, Plastic
48	663804*	GEARBOX
49	656135*	DRIVE PULLEY (MB65)
50	663946*	GUARD, Rear Pulley
51	663332*	DRIVE BELT, SP Models with Kohler Engine (B-57)
--	664024*	DRIVE BELT, PL7H Models (B-52)
--	664024*	DRIVE BELT, SP Models w/o Kohler Engine (B-52)
52	--	ROLL PIN, 1/4" Dia. x 1-1/4" long
53	9-0316	BOLT, 5/16-18 x 3/4" Square Neck Carriage, Grade 5 (4)
54	--	BOLT, 3/4-10 x 2-3/4" Hex
55	--	NUT, 3/4-10 Stover
56	--	ROLL PIN, 3/16" Dia. x 1"
57	--	BOLT, 7/16-14 x 1-3/4" Hex
58	9-0250	WASHER, 1/2" Flat
59	--	WASHER, 7/16" Lock
60	9-0449	NUT, 7/16-14 Hex
61	--	BOLT, 7/16-14 x 1-1/4" Hex
62	--	NUT, 7/16-14 Hex Nyloc
63	9-0122	WASHER, 3/8" Flat (6)
64	--	KNOB, 5/16-18 (2)
65	9-0395	WASHER, 5/16" External Tooth Lock (2)
66	--	NUT, 5/16-18 Stover (2)
67	9-0201	SET SCREW, 5/16-18 x 5/16" (2)
68	--	BOLT, 5/16-18 x 2-3/4" Hex
69	--	BOLT, 3/8-16 x 4-1/2" Hex
70	9-1493	NUT, 5/16-18 Hex Nyloc (2)

**NOTE: Items 52 thru 70, shown on the previous page, are not part of this kit.**

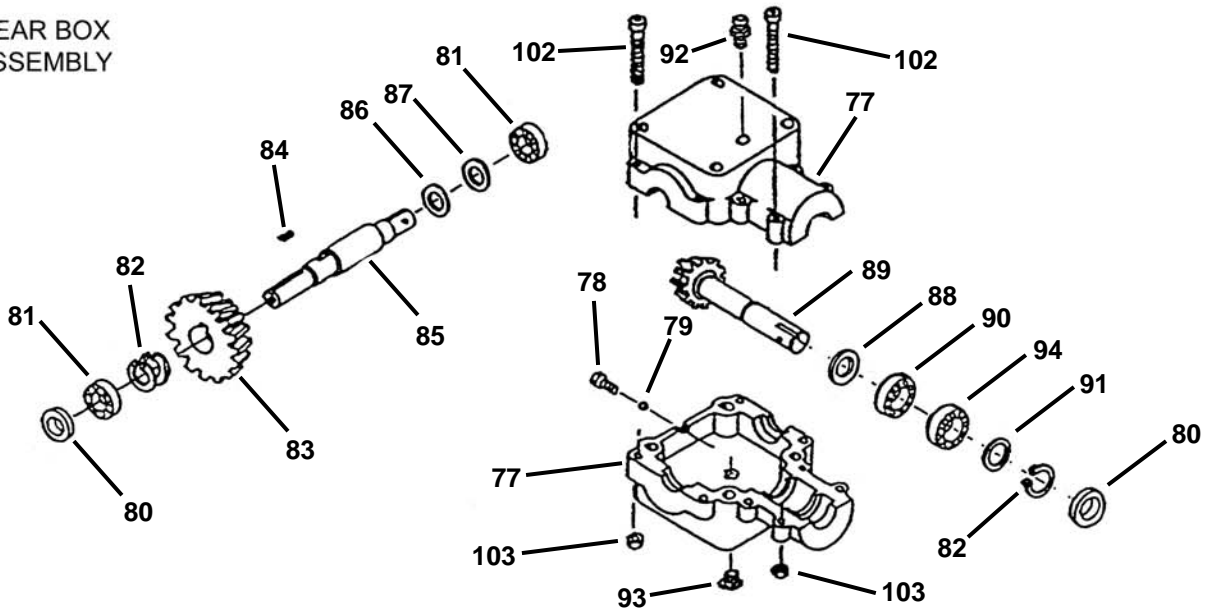
\*RAD Technologies, Inc. part number (other numbers are Snapper)

# 47" ROTARY BROOM (page 5 of 6)

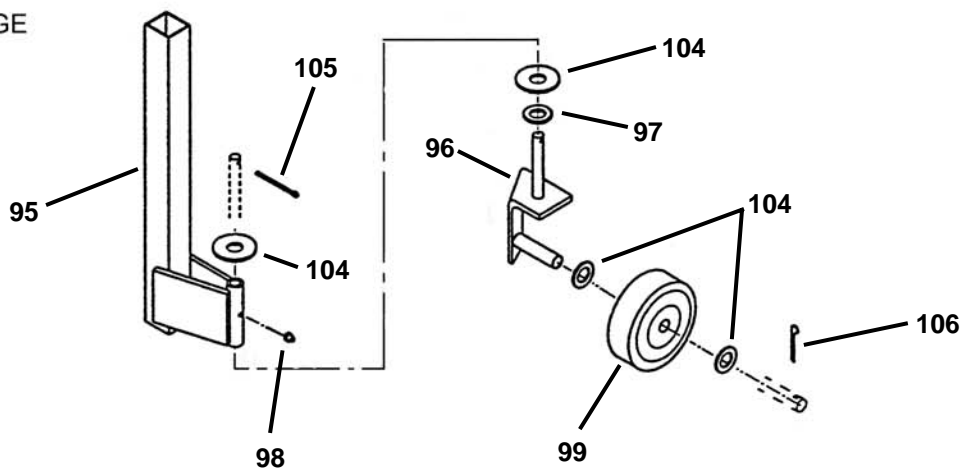
DRIVE BELT TENSIONER ASSEMBLY



GEAR BOX ASSEMBLY



FRONT GAUGE WHEEL ASSEMBLY



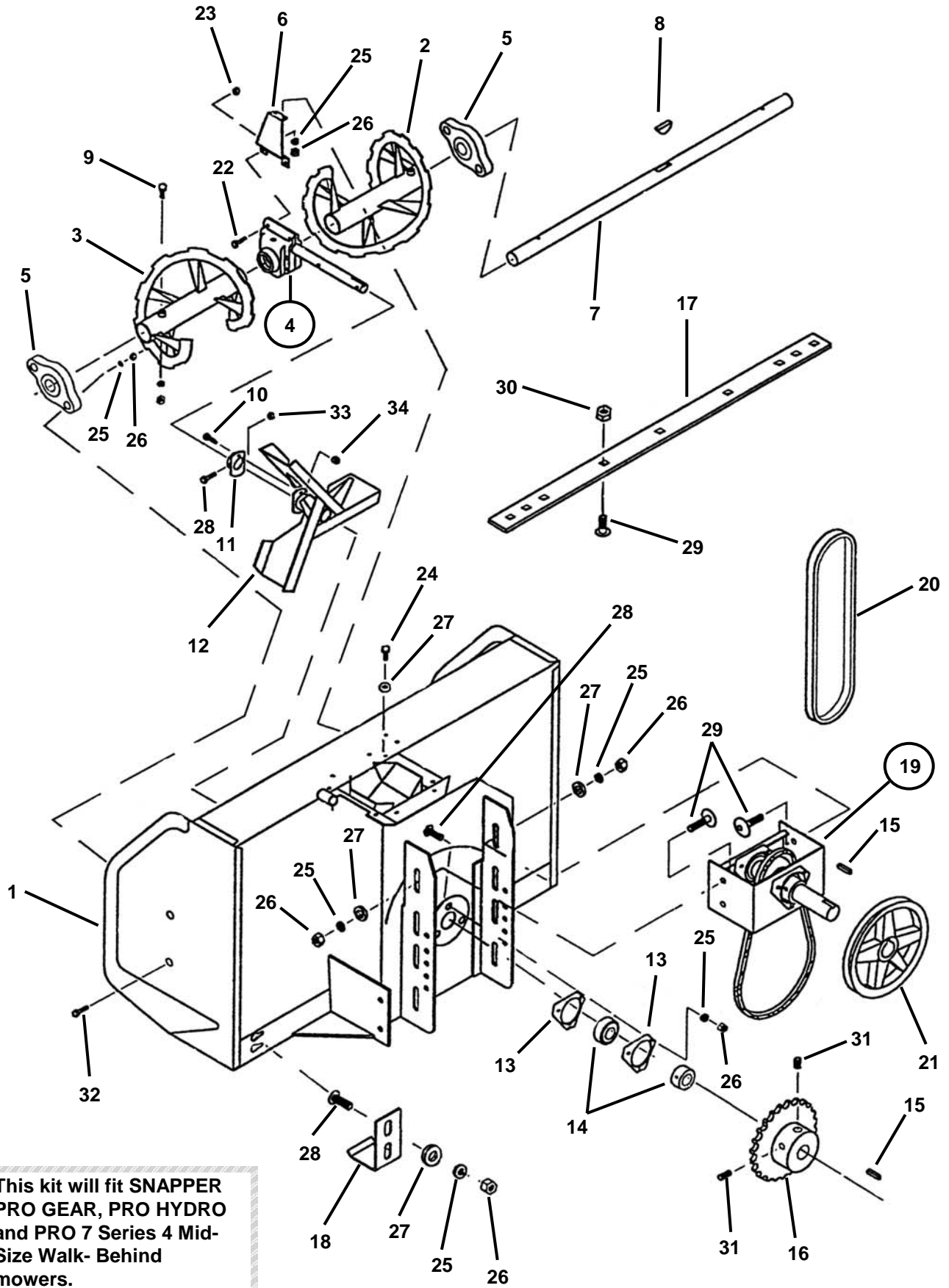
## 47" ROTARY BROOM (page 6 of 6)

ITEM	PART NO.	DESCRIPTION
--	6-3007	KIT, 47" Rotary Broom (continued) (Incl. items 71 thru 99)
71	657876*	PULLEY, Idler
72	663870*	LEVER
73	663872*	SUPPORT, Lever
74	663871*	BUSHING
75	663867*	SPRING, Torsion
76	661976*	WASHER, 13/32" Dia. Hole
77	663915*	CASING (2 halves)
78	661739*	PLUG, 3/8"
79	661144*	O-RING
80	661730*	OIL SEAL (2)
81	661728*	BEARING (2)
82	661734*	SNAP RING (3)
83	661738*	GEAR, Z25 M3,5
84	660063*	PARALLEL KEY, A8 x 7 x 25
85	661729*	SHAFT
86	661737*	SHIM 25.6 x 0.8
87	661736*	SHIM 25.6 x 1.0
88	661731*	SHIM 25.6 x 0.7
89	661735*	PINION 29 M3.5
90	661732*	BEARING
91	661733*	SHIM 25.6 x 0.6
92	663909*	BREATHER
93	663855*	PLUG, Oil Level
94	663916*	BEARING
95	663534*	SUPPORT (2)
96	663535*	BRACKET, Right Hand Wheel
--	663536*	BRACKET, Left Hand Wheel (not shown)
97	658578*	NYLON WASHER, 0.630" I. D. (2)
98	654106*	GREASE FITTING, 1/4" NF (2)
99	661306*	WHEEL, 6" Dia. x 2" (2)
100	9-0598	WASHER, 5/16" Flat
101	9-0730	BOLT, 3/8-16 x 1-3/4" Hex
102	--	BOLT, M8 x 45 (8)
103	--	NUT, M8 Hex (8)
104	--	WASHER, 11/16" Flat (8)
105	9-0753	PIN, 3/16 x 1-1/2" Cotter (2)
106	--	PIN, 1/4 x 1-1/2" Cotter (2)

**NOTE: Items 100 thru 106, shown on the previous page, are not part of this kit.**

\*RAD Technologies, Inc. part number (other numbers are Snapper)

# 40" TWO STAGE SNOWBLOWER (page 1 of 8)



This kit will fit SNAPPER PRO GEAR, PRO HYDRO and PRO 7 Series 4 Mid-Size Walk- Behind mowers.

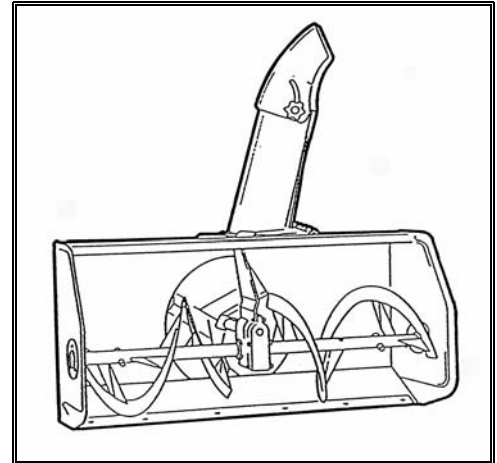
MANUAL No. 06929

COMMERCIAL WALK-BEHIND ACCESSORIES



## 40" TWO STAGE SNOWBLOWER (page 2 of 8)

ITEM	PART NO.	DESCRIPTION
--	6-3004	KIT, 40" Two Stage Snowblower (Incl. items 1 thru 21)
1	662878*	FRAME
2	662881*	AUGER, Right Hand (weldment)
3	662882*	AUGER, Left Hand (weldment)
4	663030*	ASSEMBLY, Worm Gear (see page 54 for components)
5	661667*	BEARING (2)
6	662879*	SUPPORT, Worm Gear
7	663025*	SHAFT, Output
8	655967*	KEY, Woodruff
9	658576*	SHEAR BOLT, 5/16-18 x 2-1/4" (2)
10	658574*	SHEAR BOLT, 1/4-20 x 1"
11	655874*	SHEAR PLATE, Fan Adapter
12	662968*	ASSEMBLY, Fan
13	656589*	FLANGE, Bearing (2)
14	654532*	BEARING, w/Locking Collar
15	655379*	KEY, 1/4" Square x 1" (2)
16	663064*	SPROCKET, 40B38
17	659591*	CUTTING EDGE
18	659717*	SKID SHOE (2)
19	663859*	ASSEMBLY, Reduction Box (see page 52 for components)
20	659605*	BELT, SP Models w/Kohler Engine
--	662893*	BELT, PL7H Models
--	662893*	BELT, SP Models w/o Kohler Engines
21	656135*	PULLEY BK67
22	2-7175	BOLT, 5/16-18 x 1-1/2" Hex (2)
23	9-0196	NUT, 5/16-18 Hex (2)
24	--	BOLT, 5/16-18 x 3/4" Hex (2)
25	--	WASHER, 5/16" Lock (17)
26	9-0197	NUT, 5/16-18 Hex (17)
27	9-0122	WASHER, 3/8" Flat (10)
28	9-0208	BOLT, 5/16-18 x 1" Square Neck Carriage (7)
29	9-0316	BOLT, 5/16-18 x 3/4" Square Neck Carriage, Grade 5 (10)
30	--	NUT, 5/16-18 Stover (6)
31	--	SOCKET CAPSCREW, 5/16-18 x 5/16" (2)
32	--	BOLT, 3/8-16 x 1-1/4" Hex (4)
33	--	NUT, 5/16-18 Stover
34	7-6978	NUT, 1/4-20 Hex Nyloc

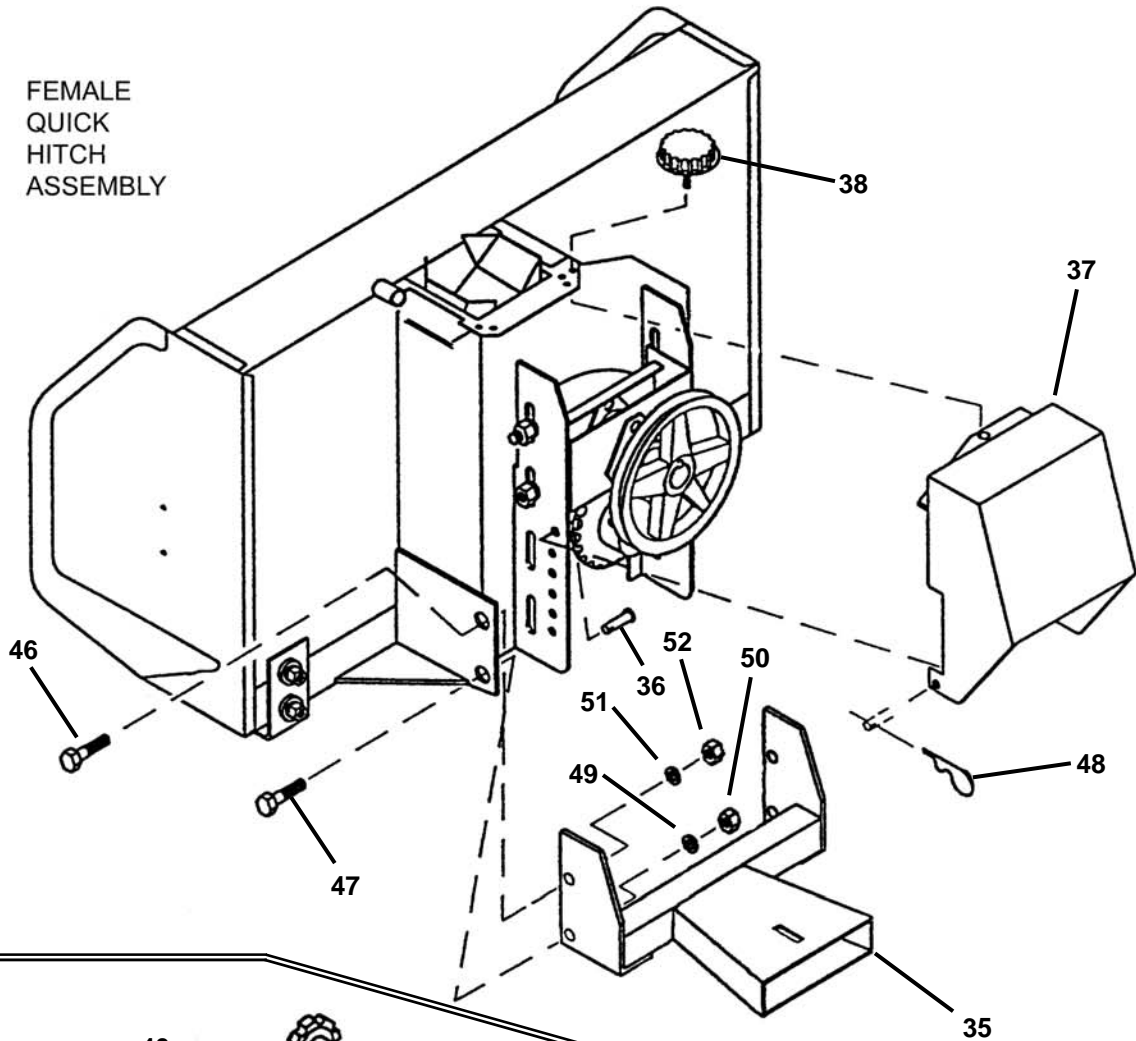


**NOTE: Items 22 thru 34, shown on the previous page, are not part of this kit.**

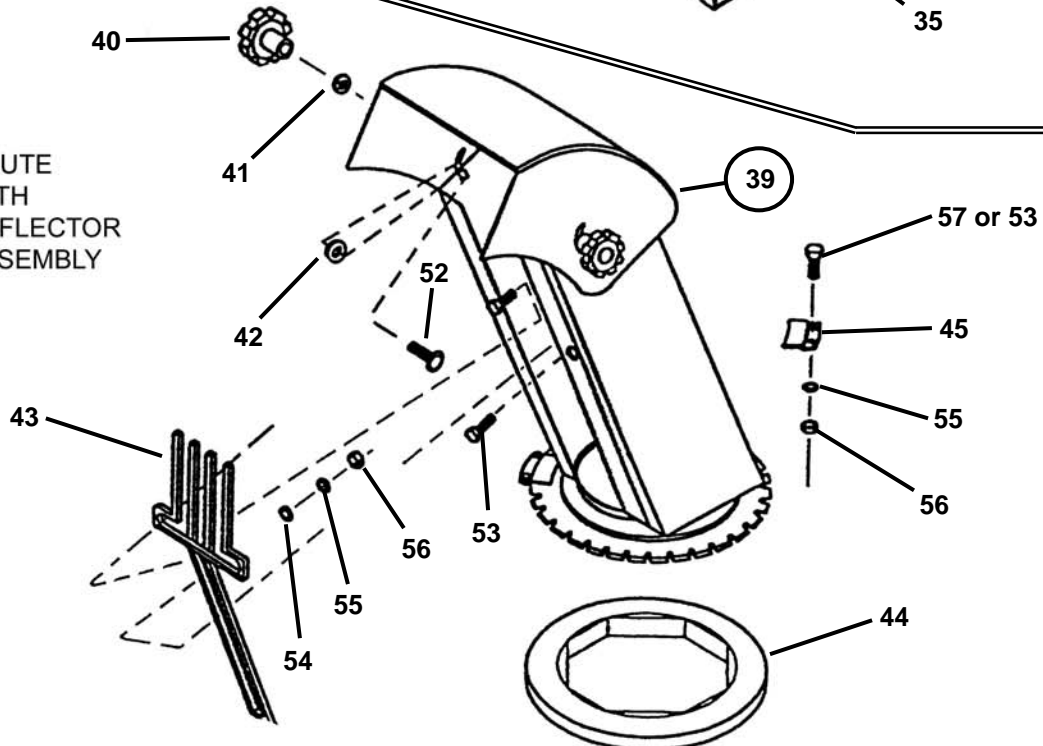
\*RAD Technologies, Inc. part number (other numbers are Snapper)

40" TWO STAGE SNOWBLOWER (page 3 of 8)

FEMALE  
QUICK  
HITCH  
ASSEMBLY



CHUTE  
WITH  
DEFLECTOR  
ASSEMBLY



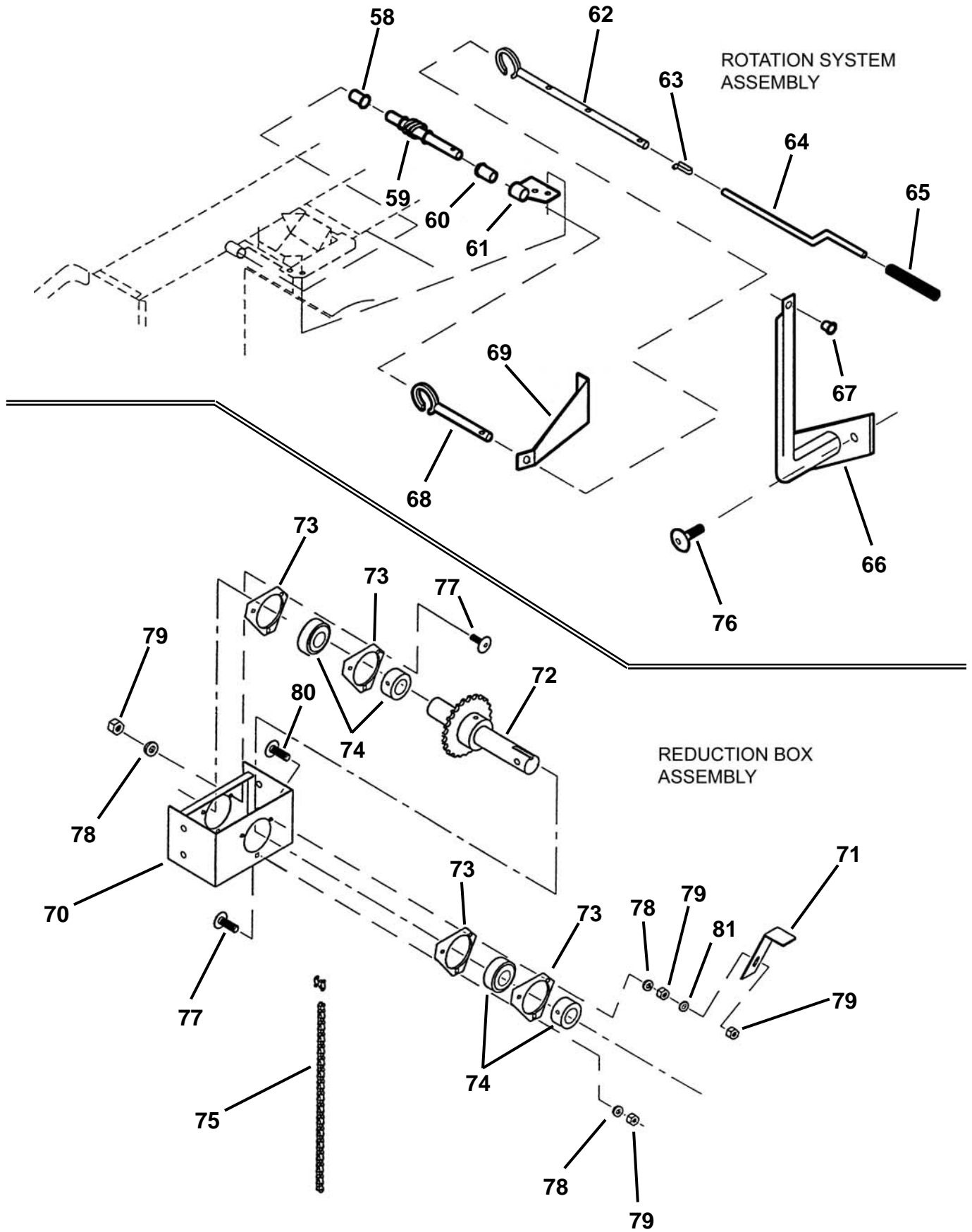
## 40" TWO STAGE SNOWBLOWER (page 4 of 8)

ITEM	PART NO.	DESCRIPTION
--	6-3004	KIT, 40" Two Stage Snowblower (continued) (Incl. items 35 thru 45)
35	662889*	HITCH, Female Quick
36	662926*	PIN, 1/4" Dia. x 1/2" (2)
37	663960*	GUARD, Belt
38	661832*	KNOB, 5/16-18
39	657319*	ASSEMBLY, Chute, Base Knobs & Decal
40	657309*	KNOB, 5/16-18 (2)
41	658467*	WASHER, 11/32" Flat (nylon) (2)
42	658468*	WASHER, 7/16" Flat (nylon) (2)
43	657308*	HAND GUARD
44	657338*	RING, Nylon
45	657333*	PLATE, Retaining (4)
46	9-1304	BOLT, 3/8-16 x 1" Hex, Grade 5 (2)
47	9-0646	BOLT, 1/2-13 x 1" Hex, Grade 5 (2)
48	--	HAIR PIN, 2mm x 41mm (2)
49	--	WASHER, 1/2" Lock (2)
50	9-0258	NUT, 1/2-13 Hex (2)
51	--	WASHER, 3/8" Lock (2)
52	9-0577	BOLT, 5/16-18 x 1-1/2" Square Neck Carriage (2)
53	--	BOLT, 1/4-20 x 3/4" Hex (4)
54	9-0598	WASHER, 5/16" Flat (2)
55	--	WASHER, 1/4" Lock (2)
56	9-0063	NUT, 1/4-20 Hex, Grade 5 or B (2)
57	--	BOLT, 1/4-20 x 1/2" Hex (6)

**NOTE:** Items 46 thru 57, shown on the previous page, are not part of this kit.

\*RAD Technologies, Inc. part number (other numbers are Snapper)

# 40" TWO STAGE SNOWBLOWER (page 5 of 8)



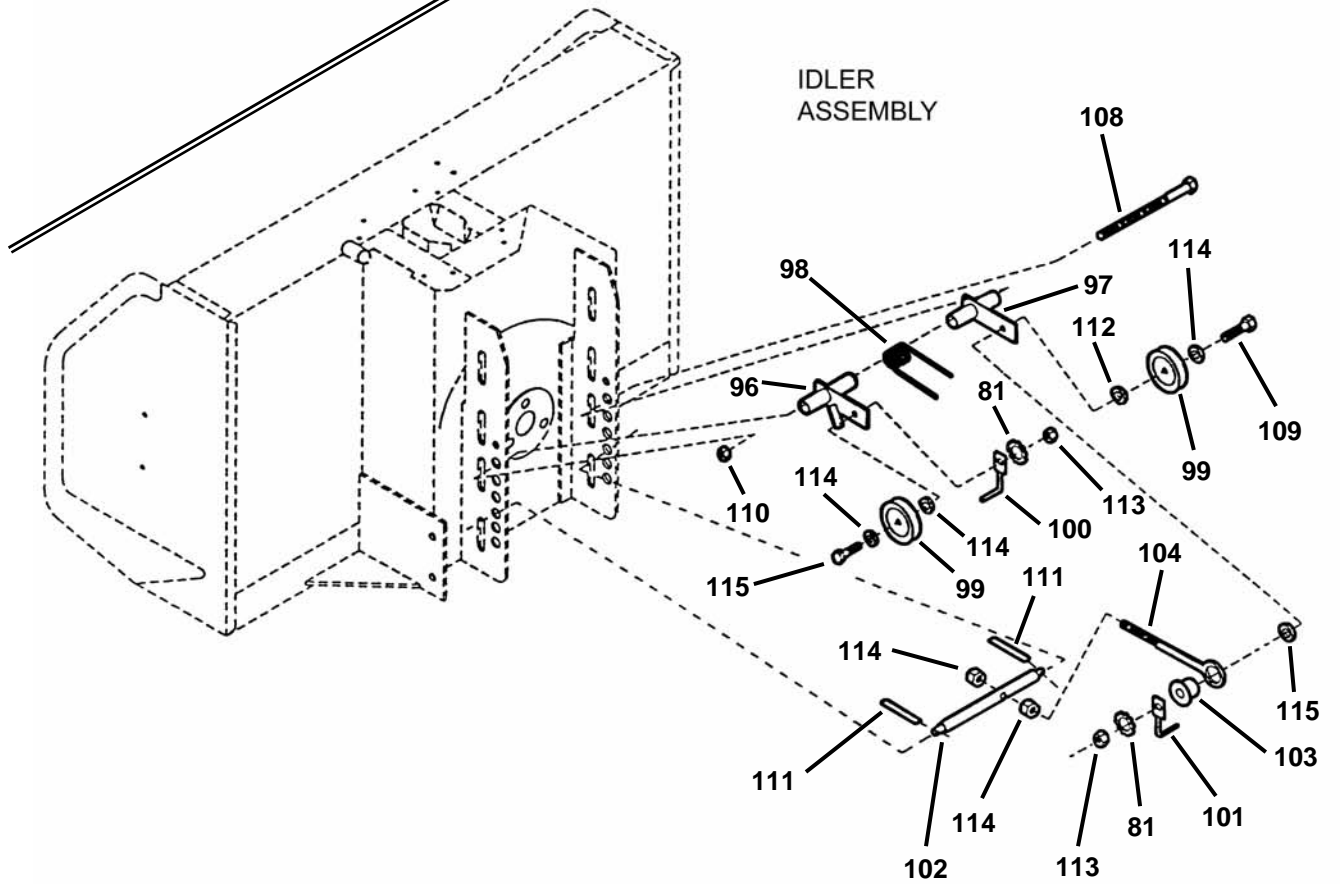
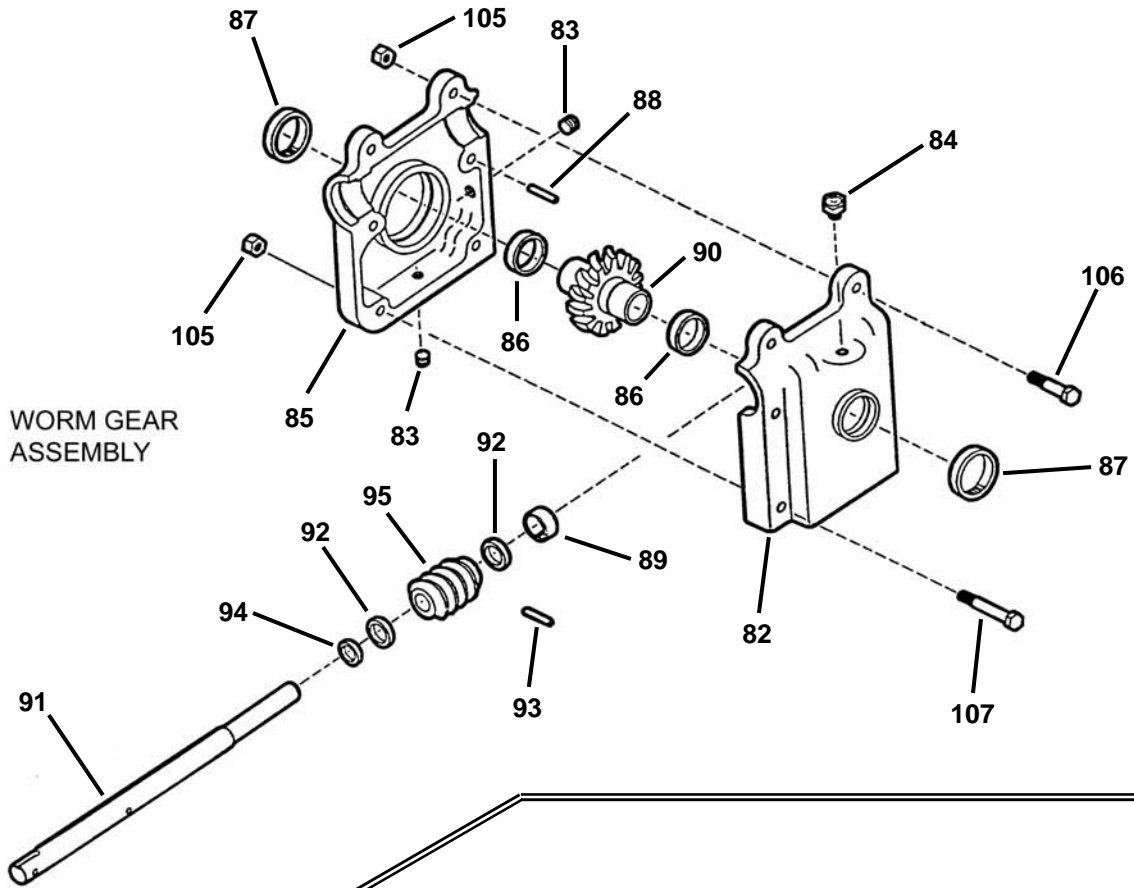
## 40" TWO STAGE SNOWBLOWER (page 6 of 8)

ITEM	PART NO.	DESCRIPTION
--	6-3004	KIT, 40" Two Stage Snowblower (continued) (Incl. items 58 thru 75)
58	657335*	BUSHING, 1-5/16" long (plastic)
59	657331*	WORM, Rotation
60	657336*	BUSHING, 1-11/16" long (plastic)
61	657329*	SUPPORT, Rotation Worm
62	664006*	TUBE, Handle
63	663600*	BUTTON, Snap
64	664007*	HANDLE, Rotation
65	656797*	GRIP, Handle
66	663964*	SUPPORT, Rotation Handle
67	657390*	GROMMET
68	663973*	TUBE, Extension ( <i>for models with Briggs Vanguard engine</i> )
69	663974*	BRACKET, Support ( <i>for models with Briggs Vanguard engine</i> )
70	662880*	REDUCTION BOX
71	663054*	GUIDE, Pulley (2)
72	657251*	ASSEMBLY, Sprocket with Shaft
73	656589*	FLANGE, Bearing (4)
74	657294*	BEARING w/Set Screws (2)
75	663247*	CHAIN
76	--	BOLT, 3/8-16 x 1-1/4" Square Neck Carriage (2)
77	9-0605	BOLT, 5/16-18 x 5/8" Square Neck Carriage, Grade 5 (4)
78	--	WASHER, 5/16" Lock (6)
79	9-0196	NUT, 5/16-18 Hex, Grade 5 or B (8)
80	9-0208	BOLT, 5/16-18 x 1" Square Neck Carriage (2)
81	9-0390	WASHER, 3/8" Internal Tooth Lock (4)

**NOTE:** Items 76 thru 81, shown on the previous page, are not part of this kit.

\*RAD Technologies, Inc. part number (other numbers are Snapper)

# 40" TWO STAGE SNOWBLOWER (page 7 of 8)



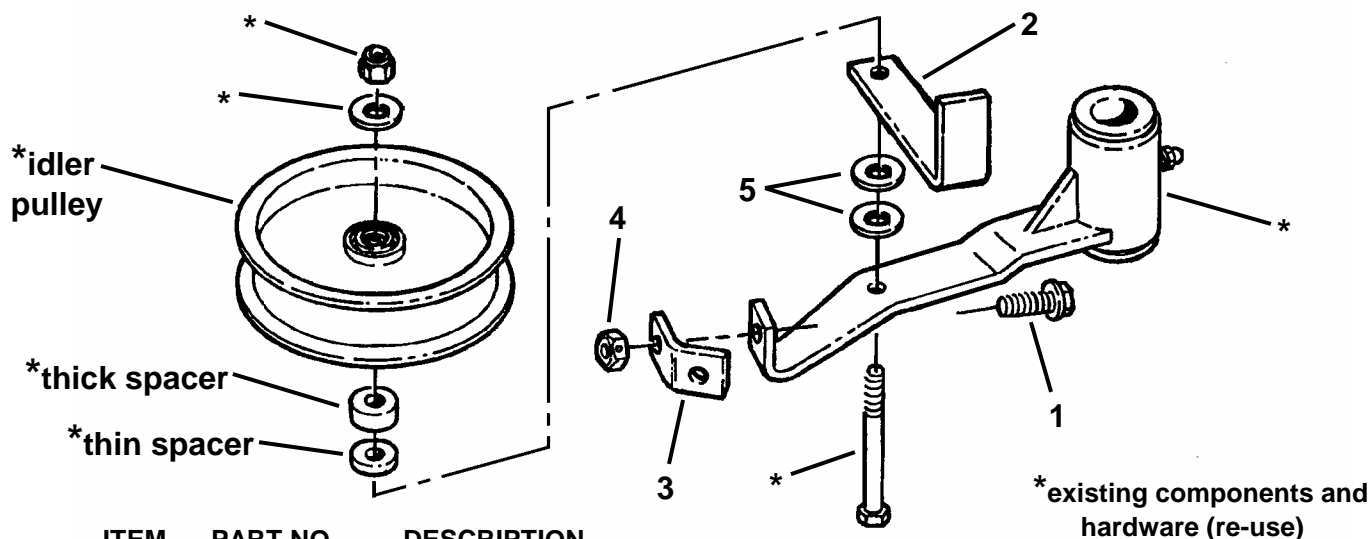
## 40" TWO STAGE SNOWBLOWER (page 8 of 8)

ITEM	PART NO.	DESCRIPTION
--	6-3004	KIT, 40" Two Stage Snowblower (continued) (Incl. items 82 thru 104)
82	663239*	CASING, Right Hand
83	656090*	PLUG, 1/8" NPT (2)
84	654927*	BREATHER, 1/8" NPT 5 PSI
85	663240*	CASING, Left Hand
86	661147*	BEARING (2)
87	663241*	SEAL (2)
88	663245*	PIN, 3/16 x 1/2" Long Dowel (2)
89	661150*	FROST CAP
90	663242*	BRASS GEAR, 8 DP 4 LH
91	661161*	INPUT SHAFT
92	663234*	BEARING
93	663243*	PIN, 5/16 x 1-1/4" Long Spring
94	663244*	SEAL
95	663238*	WORM, 8 DP 4 LH
96	663040*	BRACKET, Left Idler
97	663039*	BRACKET, Right Idler
98	656040*	SPRING
99	659519*	PULLEY, Idler (2)
100	663050*	BELT GUIDE (short bend)
101	663051*	BELT GUIDE (long bend)
102	662896*	TENSION ROD
103	663043*	SPACER
104	663074*	EYE BOLT, 5/16-18 x 5"
105	--	NUT, 5/16-18 Hex Lock (6)
106	9-0370	BOLT, 5/16-18 x 1-3/4" Hex (2)
107	--	BOLT, 5/16-18 x 2-1/4" Hex (4)
108	--	BOLT, 1/2-13 x 8" Hex
109	--	BOLT, 3/8-16 x 2-3/4" Hex
110	--	NUT, 1/2-13 Hex Nyloc
111	9-1809	PIN, 1/8 x 1-1/4" Cotter (2)
112	9-1595	WASHER, 7/16" Flat (4)
113	9-0130	NUT, 3/8-16 Hex (2)
114	9-1493	NUT, 5/16-18 Hex Nyloc (2)
115	9-0623	BOLT, 3/8-16 x 2-1/4" Hex

**NOTE: Items 105 thru 115, shown on the previous page, are not part of this kit.**

\*RAD Technologies, Inc. part number (other numbers are Snapper)

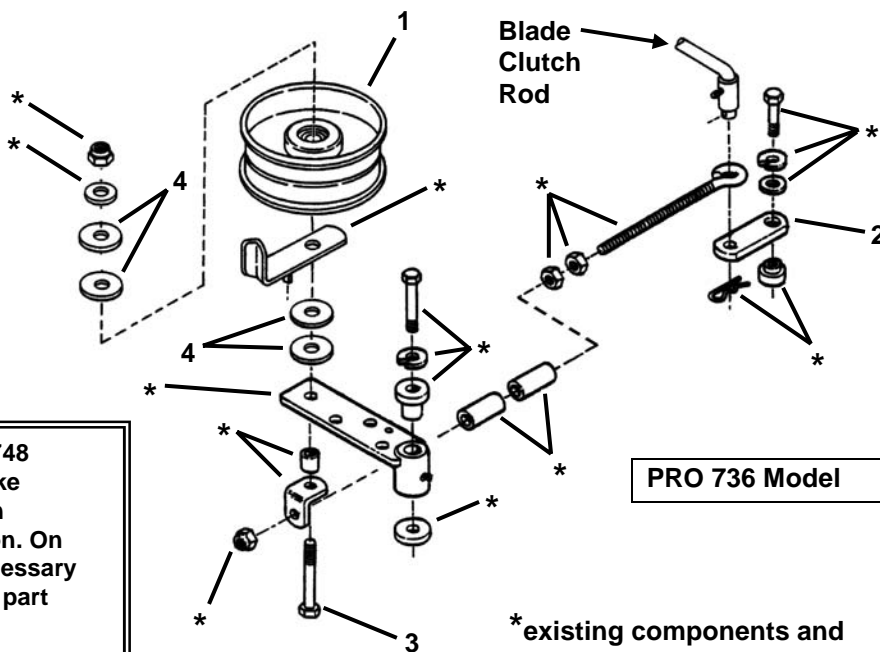
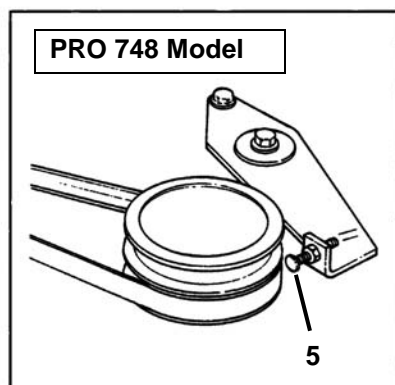
## BELT TENSION REDUCTION



ITEM	PART NO.	DESCRIPTION
--	6-1868	KIT, Belt Tension Reduction (Includes items 1 thru 5)
1	2-7198	BOLT, 3/8-16 x 1" Hex Flange Lock, Grade 5
2	3-5656	RETAINER, Belt
3	3-6429	BRACKET, Idler
4	9-1299	NUT, 3/8-16 Hex Nyloc
5	9-0122	WASHER, 3/8" Flat (2)

This kit will reduce the belt tension on Deck Model SP360 on PRO Gear and PRO Hydro Mid Size Commercial mowers.

## IDLER PULLEY ALIGNMENT



This kit will fit PRO 736 and PRO 748 decks, and will improve blade brake engagement and adjustment when operating in lowest cutting position. On 748 models only it will also be necessary to swap out engine drive belt with part number 2-4511 (order separately).

ITEM	PART NO.	DESCRIPTION
--	6-1205	KIT, Improved Belt Alignment (Includes items 1 thru 5)
1	2-4761	PULLEY, 5" Idler
2	3-3709	LINK, Blade Assist
3	9-0590	BOLT, 3/8-16 x 3" Hex, Grade 5
4	9-0905	WASHER, Flat (Case Hardened) (2)
5	9-1178	BOLT, 5/16-18 x 1-3/4" Square Neck Carriage, Grade 2

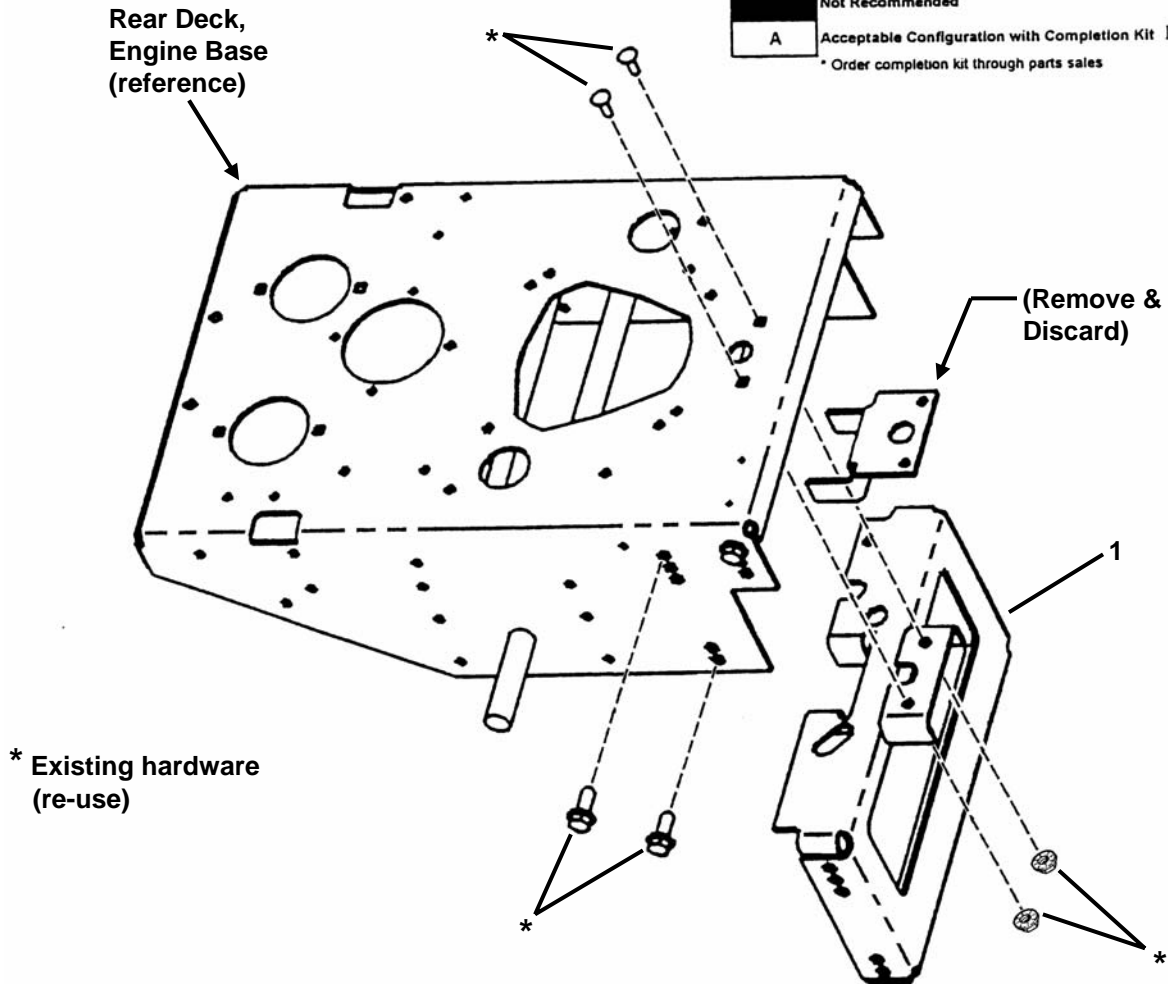


# ENGINE FRAME BRACE

**NOTE: This kit is intended for the models indicated by "A" in the table below:**

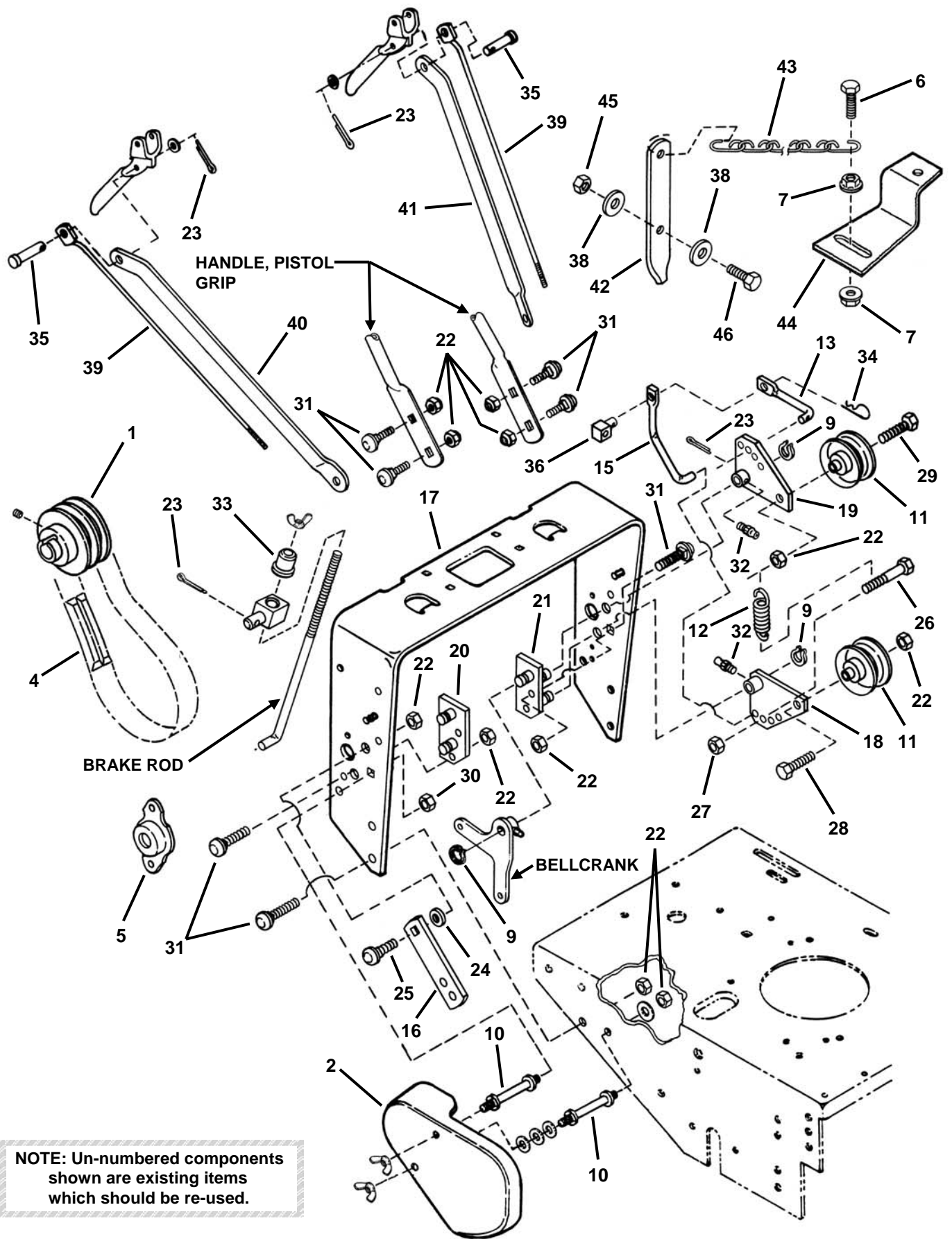
		POWER UNITS										
		80893	82357	80894	82359	80895	82358	80896	80898	80899	80914	90901
		SPP90KW	SPL1250KW	SPP1250KW	SPL140KW	SPP140KW	SPL140KH	SPP140KH	SPLH140KW	SPLH140KH	SPLH160BV	SPLH180KHE
M O W E R  U N I T S	80904	SP320	Yes									
	80905	SP360		Yes	Yes	Yes	Yes	Yes	A	Yes	Yes	
	80906	SP480				Yes	Yes	Yes	Yes	Yes	Yes	Yes
	80908	SPA360	Yes			Yes		Yes	A	Yes	Yes	
	80909	SPA480				Yes	A	Yes	A	Yes	Yes	Yes
	80910	SPA520									Yes	Yes
	80911	SPA610										Yes

**Yes** Preferred Configuration  
**Not Recommended**  
**A** Acceptable Configuration with Completion Kit P/N 61871  
 \* Order completion kit through parts sales



ITEM	PART NO.	DESCRIPTION
--	6-1871	KIT, Engine Frame Brace (Includes item 1)
1	4-2663	WELDMENT, Engine Frame Brace

# BACKSIDE IDLER



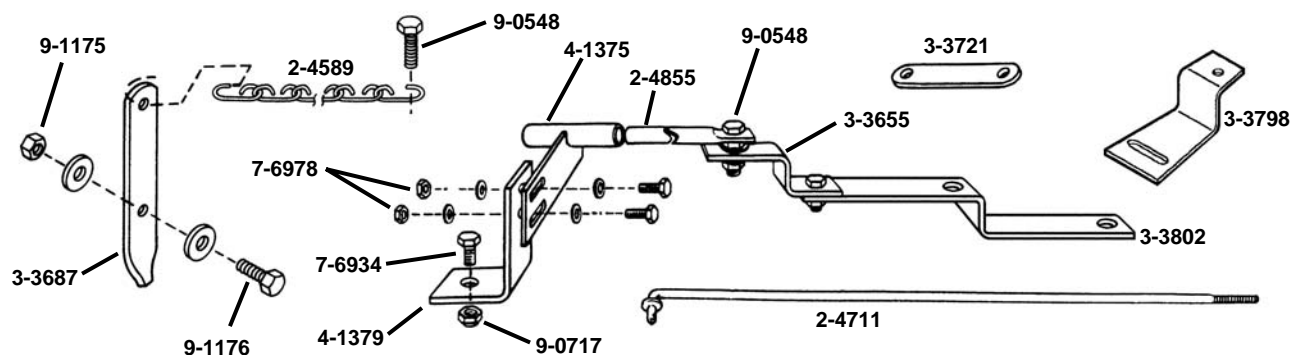
**NOTE:** Un-numbered components shown are existing items which should be re-used.

## BACKSIDE IDLER

ITEM	PART NO.	DESCRIPTION
--	6-1207	KIT, Backside Dual Idler (Pistol Grip) (Includes items 1 thru 46)
1	2-4708	PULLEY, 3-1/4" (transmission out) (2)
2	2-4713	FENDER, Left (not shown)
3	2-4714	FENDER, Right (shown)
4	2-4891	BELT, PRO 7 Traction (2RA Section, 50.96" Effective Length)
5	3-3718	FLANGE, Output (2)
6	9-0548	SCREW, 1/4-20 x 1" Hex Head Cap, Grade 5
7	9-0583	NUT, 1/4-20 Hex Flange Lock (2)
8	5-2991	ASSEMBLY, Tank Bracket (Includes items 9 thru 32)
9	1-0739	RING, 5/8" External Retaining (4)
10	2-2768	STUD, Fender Mount (3/8-16 thread) (2)
11	2-4707	PULLEY, 3-1/4" Idler (4)
12	2-4717	SPRING, Extension (2)
13	3-3713	LINK, Short (2)
14	3-3714	LINK, Long Right Hand (not shown)
15	3-3715	LINK, Long Left Hand (shown)
16	3-3720	ARM, Brake (2)
17	3-3726	FORM, Tank Bracket
18	4-1357	WELDMENT, Idler Lower Left/Upper Right (2)
19	4-1358	WELDMENT, Upper Left/Lower Right (2)
20	4-1359	WELDMENT, Idler Pivot Right Hand
21	4-1360	WELDMENT, Idler Pivot Left Hand
22	7-6979	NUT, 3/8-16 Hex Nyloc (12)
23	9-0038	PIN, 3/32 x 1" Cotter (6)
24	9-0122	WASHER, 3/8" Flat (2)
25	9-0136	BOLT, 3/8-16 x 3/4" Square Neck, Grade 2 (2)
26	9-0206	SCREW, 5/16-18 x 3/4" Hex Head Cap, Grade 5 (2)
27	9-0585	NUT, 5/16-18 Hex Flange Lock (2)
28	9-0588	SCREW, 3/8-16 x 2" Hex Head Cap, Grade 5 (2)
29	9-0637	SCREW, 3/8-16 x 2-1/2" Hex Head Cap, Grade 5 (2)
30	9-0665	NUT, 3/8-16 Hex Jam (2)
31	9-0747	BOLT, 3/8-16 x 1" Round Head Square Neck, Grade 5 (12)
32	7-6998	FITTING, Grease, 1/4-28 Thread (4)
33	1-2306	BUSHING, .381 I. D. Flange (2)
34	1-6231	PIN, #13 Hair (2)
35	2-4590	PIN, Reverse PG (2)
36	2-4607	SWIVEL, Brake Link PM (2)
37	9-0563	SCREW, 3/8-16 x 1" Hex Head Cap, Grade 5 (2)
38	9-1294	WASHER, 1/4" Flat (2)
39	2-4710	ROD, Traction, Pistol Grip (2)
40	3-3719	STRAP, Brake Pistol Grip, Left Side
41	3-3725	STRAP, Brake Pistol Grip, Right Side
42	3-3687	LEVER, Reverse, Pistol Grip
43	2-4589	CHAIN, Reverse, Pistol Grip
44	3-3798	ARM, Reverse
45	9-1175	NUT, M6 Hex Lock
46	9-1176	SCREW, M6 x 14 Hex Head Cap

**NOTE: Kit 6-1207 will fit model PP71250KW (Pistol Grip) PRO Commercial; Mower**

## BACKSIDE IDLER



ITEM	PART NO.	DESCRIPTION
--	6-1208	KIT, Backside Dual Idler (Pistol Grip) (Includes items 1 thru 41 of Kit #6-1207, shown on pages 58 & 59, plus the following items):
42	4-1375	WELDMENT, Guide
43	4-1379	WELDMENT, Support
44	2-4855	ROD, Reverse
45	3-3655	STRAP, Reverse
46	3-3802	LEVER, Reverse
47	7-6934	SCREW, 5/16-18 x 3/4" Hex Head Cap, Grade 5 (2)
48	9-0717	NUT, 5/16-18 Hex Nyloc (2)
49	7-6978	NUT, 1/4-20 Hex Nyloc (2)

**NOTE: Kit 6-1208 will fit model PP7140KWV (Pistol Grip) PRO Commercial; Mower**

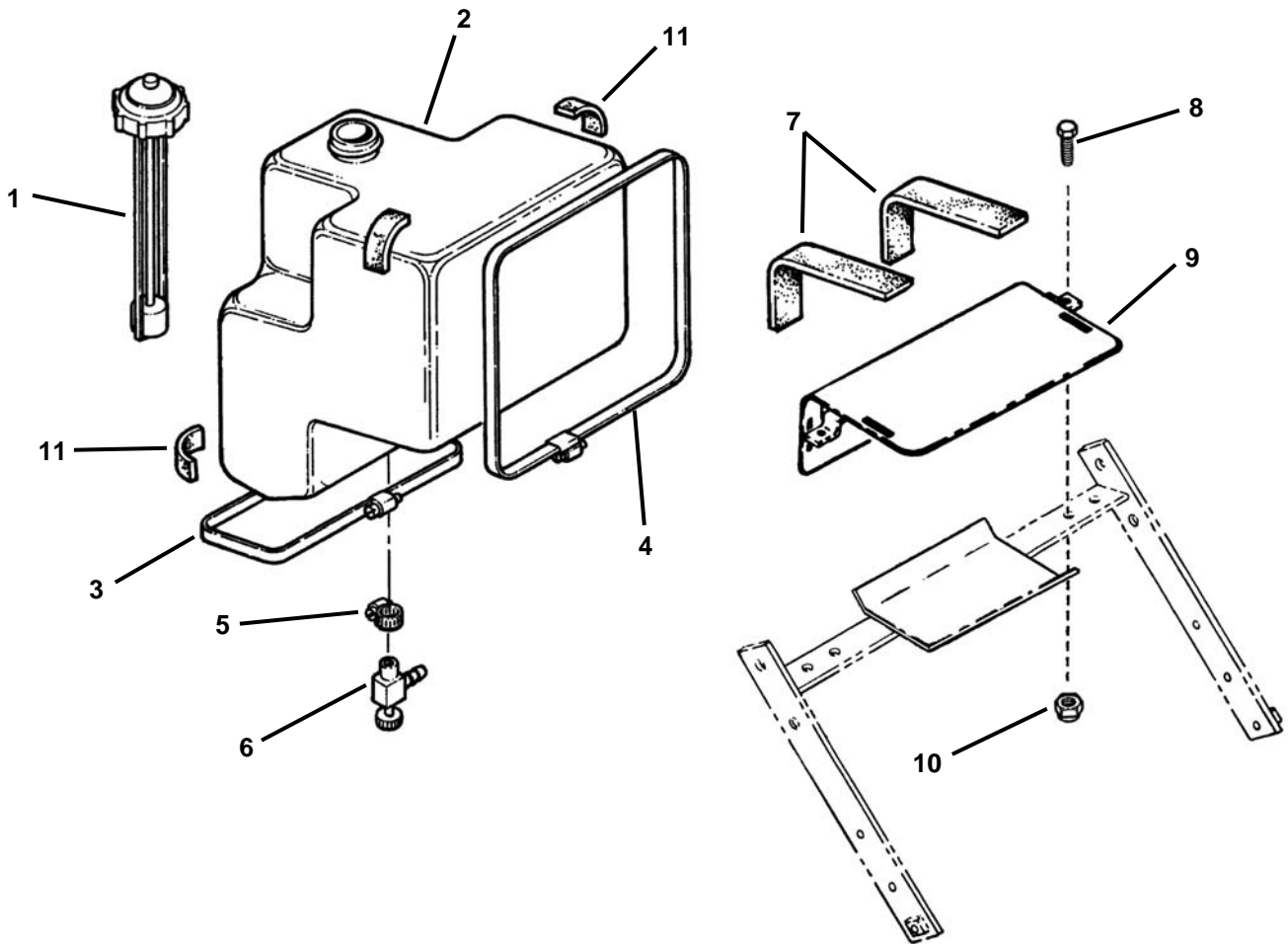
ITEM	PART NO.	DESCRIPTION
--	6-1209	KIT, Backside Dual Idler (Loop Handle) (Includes items 1 thru 38 of Kit #6-1207, shown on pages 58 & 59, plus the following items):
39	2-4711	ROD, Traction Loop (2)
40	3-3687	LEVER, Reverse
41	3-3721	STRAP, Brake Loop (2)
42	2-4589	CHAIN, Reverse
43	3-3798	ARM, Reverse
44	9-1175	NUT, M6 Hex Lock
45	9-1176	SCREW, M6 x 14 Hex Head Cap

**NOTE: Kit 6-1209 will fit model PL71250KW (Loop Handle) PRO Commercial; Mower**

ITEM	PART NO.	DESCRIPTION
--	6-1210	KIT, Backside Dual Idler (Loop Handle) (Includes items 1 thru 38 of Kit #6-1207, shown on pages 58 & 59, plus the following items):
39	2-4711	ROD, Traction Loop (2)
40	3-3721	STRAP, Brake Loop (2)
41	4-1375	WELDMENT, Guide
42	4-1379	WELDMENT, Support
43	2-4855	ROD, Reverse
45	3-3655	STRAP, Reverse
46	3-3802	LEVER, Reverse
47	7-6934	SCREW, 5/16-18 x 3/4", Grade 5 (2)
48	9-0717	NUT, 5/16-18 Hex Nyloc (2)
49	7-6978	NUT, 1/4-20 Hex Nyloc (2)
50	9-0548	SCREW, 1/4-20 x 1" Hex Head Cap, Grade 5 (2)

**NOTE: Kit 6-1210 will fit model PL7140KWV (Loop Handle) PRO Commercial; Mower**

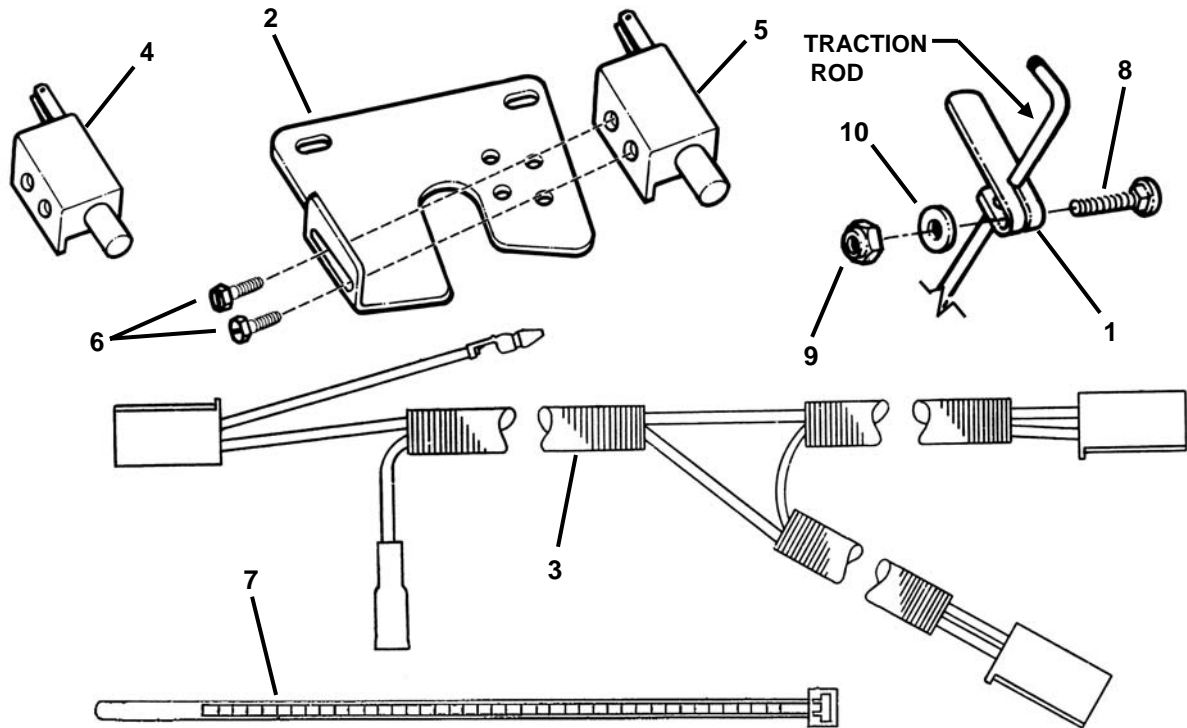
## GAS TANK



ITEM	PART NO.	DESCRIPTION
--	6-0802	KIT, Gas Tank Retrofit (4 Gallon) (Includes items 1 thru 11)
1	7-6535	GAS CAP w/Gage
2	7-7282	GAS TANK w/Decals
3	7-6532	TANK BAND, Short
4	7-6563	TANK BAND, Long
5	7-6966	CLAMP, Hose
6	7-6491	SHUT-OFF, Gas Line
7	7-6537	SADDLE PAD (2)
8	9-0563	SCREW, 3/8-16 x 1" Hex Head Cap, Grade 5 (2)
9	7-6392	SADDLE, Retrofit
10	7-6979	NUT, 3/8-16 Hex Nyloc (2)
11	7-7345	PAD, Gas Tank (4)

**NOTE: Kit 6-0802 will fit PRO Heavy Duty Commercial Walk-Behind Mowers**

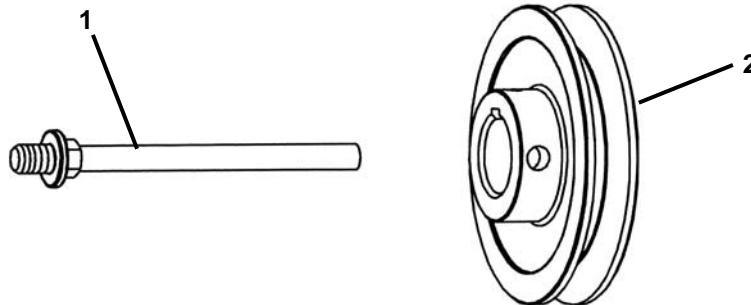
## INTERLOCK SWITCH UPDATE



<p>-- 6-0896</p> <p>1 2-3405</p> <p>2 2-3406</p> <p>3 2-3407</p> <p>4 2-3408</p> <p>5 1-5668</p> <p>6 7-7873</p> <p>7 7-6856</p> <p>8 9-0078</p> <p>9 7-6978</p> <p>10 9-0598</p>	<p>KIT, Interlock Switch Update (Includes items 1 thru 10)</p> <p>TAB, Traction Switch (2)</p> <p>PLATE, Switch</p> <p>HARNESS</p> <p>SWITCH, SP/NC Gray</p> <p>SWITCH, NO Black (2)</p> <p>SCREW, #12-14 x 1/2" Hex Washer Face, Slotted (6)</p> <p>TIE, Plastic (4)</p> <p>BOLT, 1/4-20 x 1-1/4" Square Neck Carriage (2)</p> <p>NUT, 1/4-20 Hex Nyloc (2)</p> <p>WASHER, 1/4" Flat (2)</p>
---	---

**NOTE: Kit 6-0896 will fit 32", 36" and 48" Steel Deck PRO Mowers.**

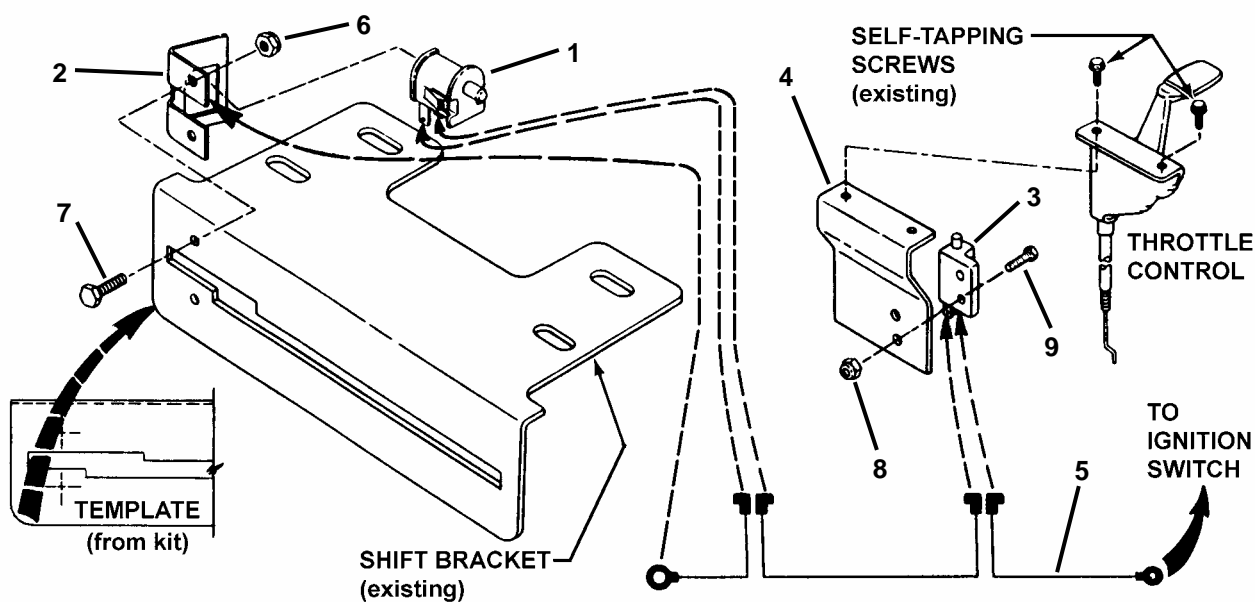
## BELT ANTI-VIBRATION



ITEM	PART NO.	DESCRIPTION
--	6-3104	KIT, Belt Anti-Vibration
1	7-2418	GUIDE, Belt 4.3"
2	2-7132	PULLEY, 4" Cast

**NOTE: Kit 6-3104 will fit PRO Mowers With SP480 and SPA480 decks.**

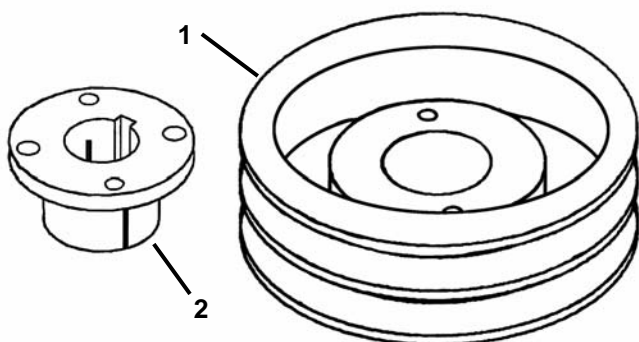
## REVERSE THROTTLE INTERLOCK



ITEM	PART NO.	DESCRIPTION
--	6-1783	KIT, Reverse Throttle Interlock (Includes items 1 thru 9)
1	1-5707	SWITCH, Detent NO
2	3-4466	BRACKET, Reverse Switch
3	2-7225	SWITCH, Single Pole
4	3-4459	BRACKET, Reverse Throttle
5	2-8516	HARNESS, Reverse Throttle Wire
6	9-1603	NUT, 1/4-20 Hex Nyloc (2)
7	9-1495	SCREW, 1/4-20 x 3/4" Hex Head Cap, Grade 5 (2)
8	9-1290	NUT, #10-24 Hex Nyloc (2)
9	9-1631	SCREW, #10-24 x 1/2" Hex Head Cap (2)

**NOTE:** Kit 6-1783 will fit PRO 7 Series 1 & 2 Mowers. It is used to convert 1994 & earlier models to 1995 & later models.

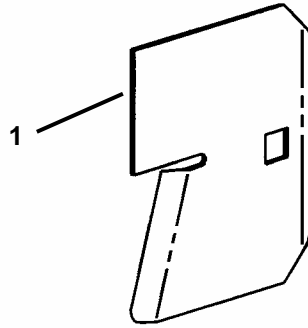
## TAPERLOCK PULLEY



**NOTE:** Kit 6-0899 will fit on PRO Mowers with 48" decks to replace pulley #7-6648. When used properly the component pulley and bushing securely attach to the spindle and will not "float" up or down, on the shaft.

ITEM	PART NO.	DESCRIPTION
--	6-0899	KIT, Taperlock Pulley 48 (Includes items 1 & 2)
1	1-9101	PULLEY, Taperlock
2	2-3381	BUSHING, Taperlock

## SHIFT ARM EXTENSION

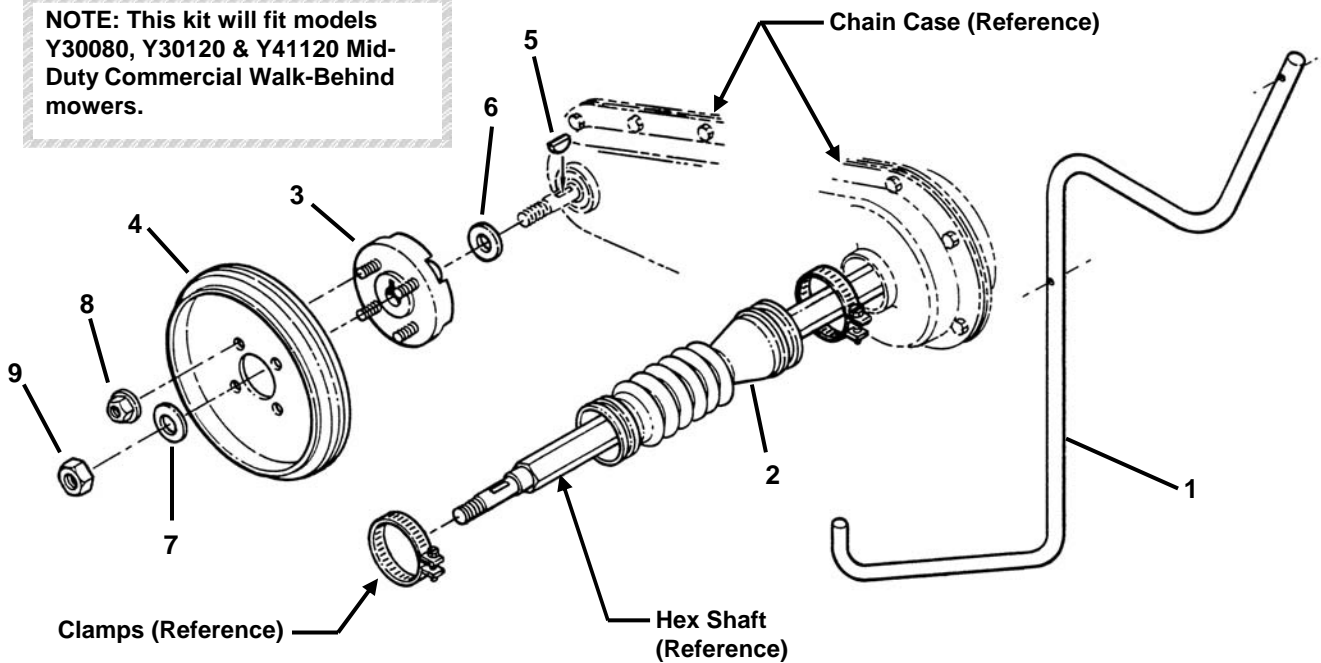


**NOTE: Kit 6-3136 will fit electric start PRO Hydro Series 0 mowers.**

ITEM	PART NO.	DESCRIPTION
--	6-3136	KIT, Shift Arm Extension (Includes items 1 thru 3)
1	7-3059	PLATE, Extension (2)
2	9-0969	BOLT, 1/4-20 x 1/2" Flat Head Short Square Neck (2)
3	9-1099	NUT, 1/4-20 Hex Center Lock, Grade B (2)

## DRIVEN DISC REPLACEMENT

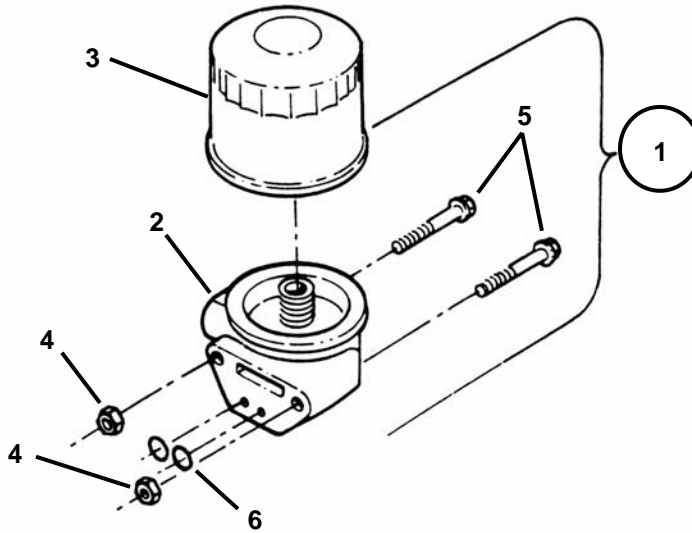
**NOTE: This kit will fit models Y30080, Y30120 & Y41120 Mid-Duty Commercial Walk-Behind mowers.**



ITEM	PART NO.	DESCRIPTION
--	6-1077	KIT, Driven Disc Replacement (Includes items 1 thru 9)
1	1-7339	SHIFT LEVER, Lower
2	1-9049	COVER, Shaft
3	5-2337	HUB ASSEMBLY
4	1-7226	DRIVEN DISC
5	1-5163	KEY, 3/32 x 1/2" Woodruff (#304)
6	9-0692	WASHER, 5/16" Flat
7	1-1731	WASHER, 3/8" Belleville
8	9-0583	NUT, 1/4-20 Hex Flange Lock (4)
9	9-0524	NUT, 3/8-24 Hex, Grade C



## OIL FILTERS



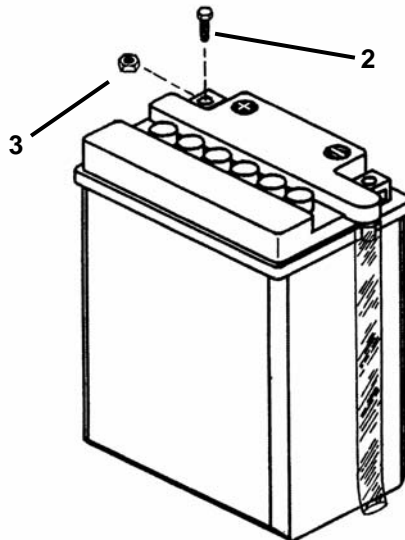
**NOTE 1:** Kit #7-7288 is only for Kawasaki 12.5 HP engines.

**NOTE 2:** The oil filter 7-7355 is used on a multitude of PRO commercial walk-behind mower engines.

On Hydro machines a separate oil filter (part number 2-7164) is used in the hydraulic system.

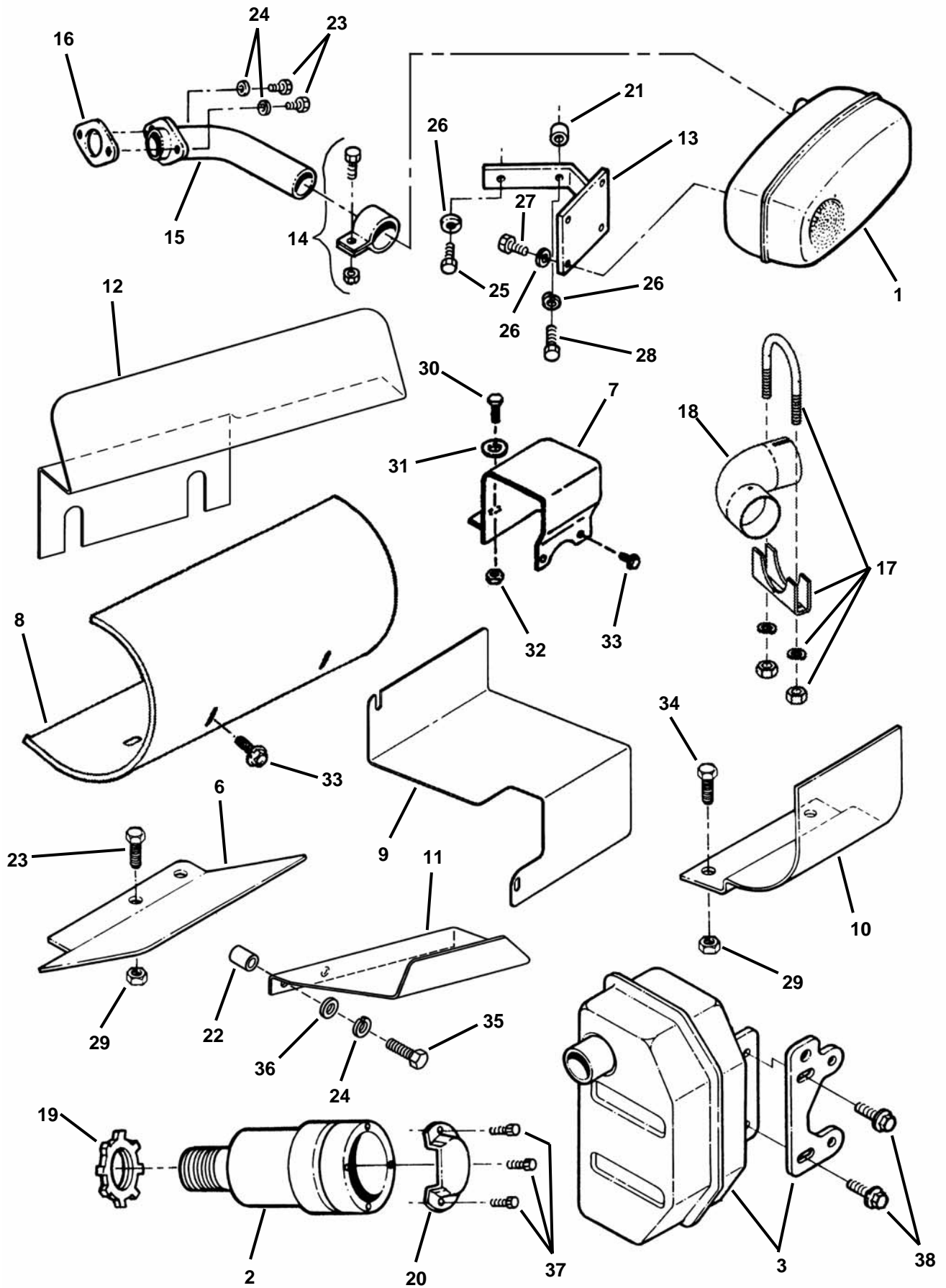
ITEM	PART NO.	DESCRIPTION
1	7-7288	KIT, Oil Filter
2	--	BASE, Oil Filter
3	7-7355	FILTER, Oil
4	7-6975	NUT, M8-1.25, Hex Nyloc (2)
5	--	BOLT, M8 x 1.25 x 45 Hex (2)
6	--	SEAL, Oil

## ACCESSORIES, 12 VOLT, 3 AMP BATTERY



ITEM	PART NO.	DESCRIPTION
1	6-0974	KIT, Battery
2	9-0411	SCREW, #10-24 x 1/2" Hex Head Cap (2)
3	1-2688	NUT, #10-24 Hex Twin "Whiz" Lock (2)

# EXHAUST MUFFLERS & HEAT SHIELDS



## EXHAUST MUFFLERS & HEAT SHIELDS

ITEM	PART NO.	DESCRIPTION
1	7-6507**	MUFFLER, Super Lo-Tone (Briggs 11 & 12 HP)
2	7-7717*	MUFFLER, Round Lo-Tone
3	1-7163	MUFFLER GROUP (Kohler 14HP)
4	2-8959	MUFFLER, Kohler V-Twin (SPLH231KHE only) (not shown)
5	2-8757	MUFFLER, Briggs 16HP V-2 (PRO 7) (not shown)
6	3-4618	SHIELD, Heat (Kawasaki and Kohler engines only; replaces 3-3319)
7	3-4653	SHIELD, Heat (Briggs only)
8	2-8958	SHIELD, Heat (SPLH231KHE only)
9	4-6755	SHIELD, Heat (Kohler 15HP only)
10	2-6881	SHIELD, Heat (Kohler 14HP & Kawasaki 14HP)
--	3-3572	SHIELD, Heat (Kawasaki 12.5HP)
11	3-3489	SHIELD, Heat (Kawasaki 12.5HP)
12	3-2898	SHIELD, Heat (Kawasaki)
13	7-6384**	BRACKET, Muffler Mount (Briggs 12 HP)
14	7-6503**	CLAMP, Muffler w/Bolt & Nut
15	7-6569**	TUBE, Exhaust Assembly
16	7-6570**	GASKET, Exhaust
17	4-3813	ASSEMBLY, Clamp (Includes Clamp, U-Bolt, 2 Split Lock Washers and 2 Hex Nuts) (used on SPLH231KHE only)
18	4-3814	ELBOW, Exhaust (used on SPLH231KHE only)
19	7-7716*	RING, Locking
20	7-6355*	DEFLECTOR, Side Out
21	7-7762**	SPACER, Muffler Bracket
22	2-3515	SPACER (2)
23	7-6934**	SCREW, 5/16-18 x 3/4" Hex Head Cap, Grade 5 (2)
24	9-0187**	WASHER, 5/16" Split Lock
25	9-0548**	SCREW, 1/4-20 x 1" Hex Head Cap, Grade 5
26	9-0052**	WASHER, 1/4" Split Lock (6)
27	9-0072**	SCREW, 1/4-20 x 5/8" Hex Head Cap, Grade 5 (4)
28	7-6932**	SCREW, 1/4-20 x 3/4" Hex Head Cap
29	9-0717	NUT, 5/16-18 Hex Nyloc
30	9-1631	SCREW, #10-24 x 1/2" Hex Head Machine (Briggs engine only)
31	9-0010	WASHER, #10 Flat
32	9-1267	NUT, #10-24 Hex Center Lock (Briggs engine only)
--	9-1290	NUT, #10-24 Hex Nyloc
33	9-1649	SCREW, #8-18 x 9/16" Hex Washer Self-Tap (4 for SPLH231KHE; 2 for Briggs; 4 for Kohler 18HP)
--	9-1581	SCREW, #8-18 x 1/2" Hex Head, Self-Tap
34	9-0206	SCREW, 5/16-18 x 3/4" Hex Head Cap, Grade 5
35	7-7692	SCREW, M8 1.25 x .25 Hex Head Cap (2)
36	9-0517	WASHER, 3/8" Flat (2)
37	7-7690*	SCREW, Muffler Deflector
38	9-1113	SCREW, M6 x 16mm Hex Cap (2)

**\*NOTE: For Briggs and Stratton 8HP engines only.**

**\*\*NOTE: For Briggs and Stratton 11 & 12HP engines only.**

*Parts Manual for*

**SNAPPER®**

**COMMERCIAL WALK-BEHIND  
ACCESSORIES**

**SNAPPER®** McDonough, GA., 30253 U.S.A.

COPYRIGHT © 2002  
SNAPPER INC.  
ALL RIGHTS RESERVED

**MANUAL No. 06929**

**(IR, 12/02/02)**

**Printed in U.S.A.**