

Parts Manual for

SNAPPER®

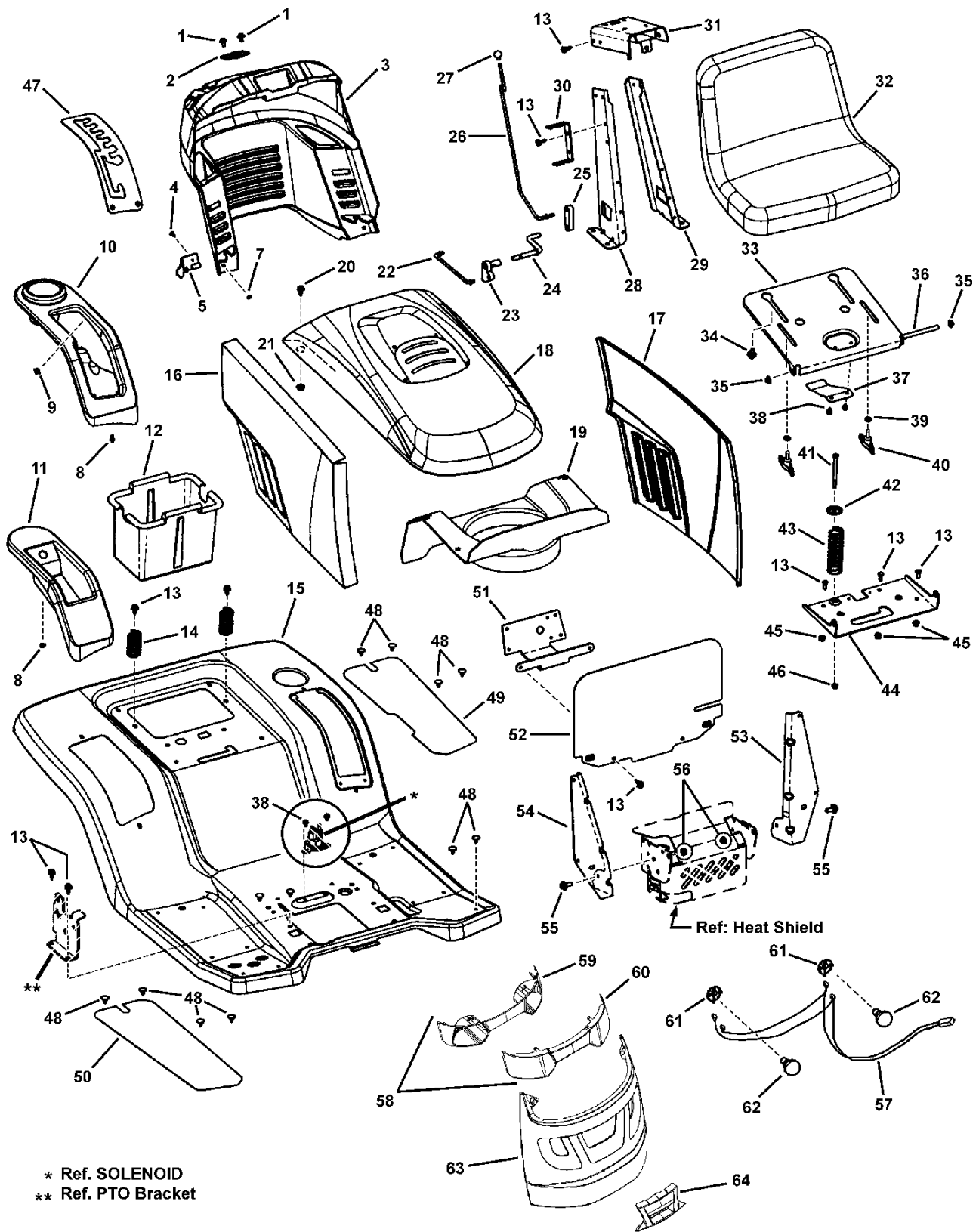
HYDRO DRIVE ELECTRIC CLUTCH LAWN TRACTOR LT-100 SERIES



MODEL
CLT23460 (7800344)
CLT24520 (7800345)
LT23460 (7800207)
LT24520 (7800212)
SLT23460 (7800342)
SLT24520 (7800343)

SNAPPER® McDonough, GA, 30253 U.S.A.

PAGE	GROUP
4	Hood / Seat Group
8	Steering Group
10	Main Frame Group
14	Motion Drive Group
18	Fuel Tank Group
20	Engine Group
22	46" Mower Housing Assembly
26	46" Mower Deck Group
30	50" Mower Housing Assembly
32	50" Deck Blade Drive Assembly
34	50" Deck Housing Suspension Assembly
36	52" Mower Housing Assembly
38	52" Deck Blade Drive Assembly
40	52" Deck Housing Suspension Assembly
42	Decals
44	Electrical Group
46	Wiring Schematic

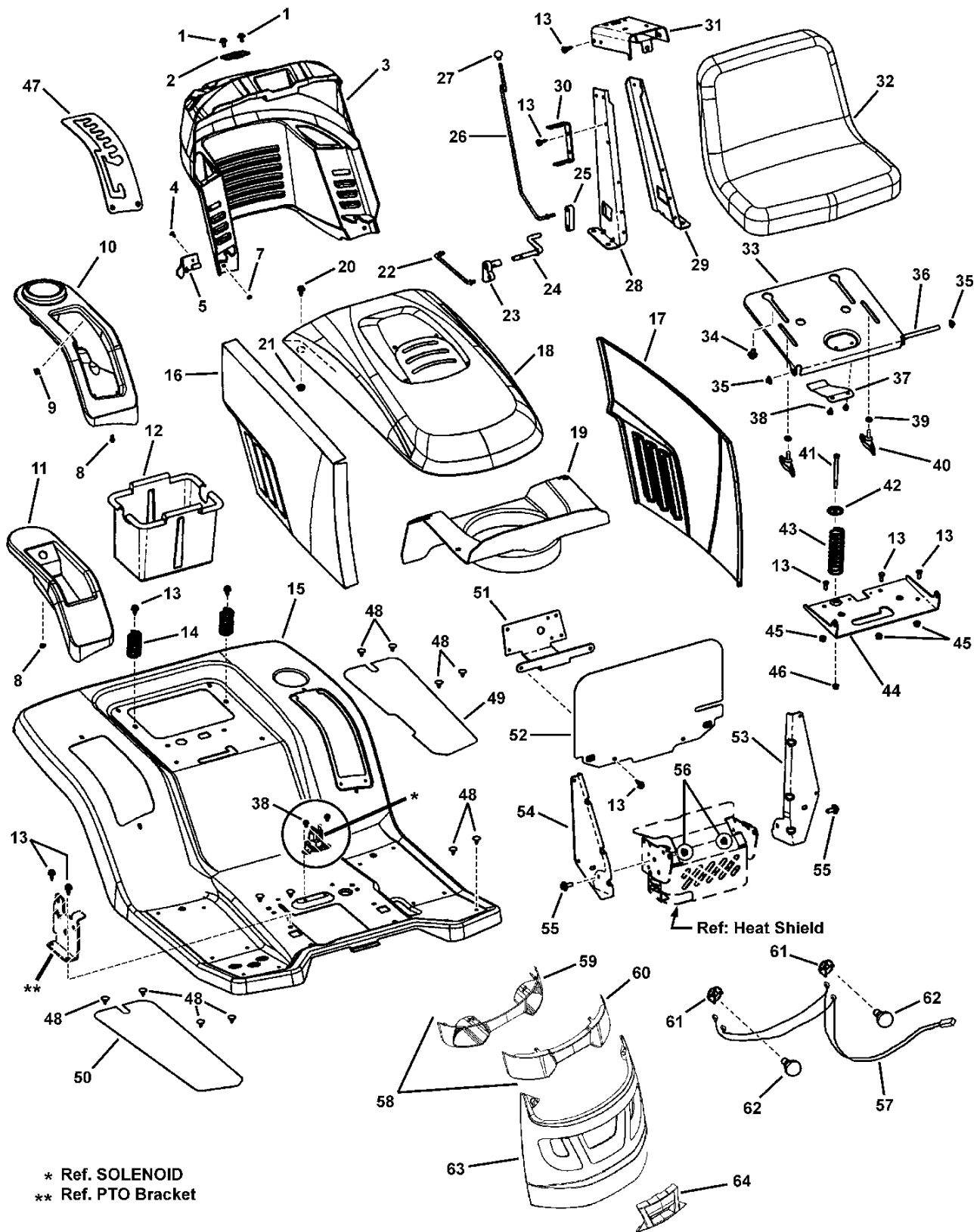


Hood / Seat Group

Item	Part No	Qty	Description	Note
1	7091016	4	HWST 1/4CX5/8	
2	721487	1	BEARING, STEERING	
3	7101355	1	CONSOLE TRACTOR	
4	1960392	2	SCREW, PHILLIPS HD	
5	1732031	1	HOOD GUIDE, RH	
	1732030	1	HOOD GUIDE, LH (not shown)	
7	1933896	2	NUT, HEX LOCK 10C W/ NYL INSERT BZ	
8	7090952	4	SCREW, 1/4-20 THREAD CUTTING	
9	7101493	1	CUTTING HEIGHT INDICATOR	
10	7101770	1	POD W/ DETENT	
11	7101771	1	POD W/ COMPARTMENT	
12	725181	1	CONTAINER, BATTERY	
13	722858	16	CAPSCREW, 5/16-18	
14	722411	2	SPRING, COMPRESSION 2.43LENGTH	
15	7300677D	1	SEAT DECK	
16	1727294D	1	PANEL HOOD RH SIDE	
17	1727295D	1	PANEL HOOD LH SIDE	
18	1722110D	1	HOOD, W/ LOUVERS	
19	1731891	1	AIR DUCT, PLASTIC	
20	1960295	12	SCREW, HEX WZ LOCK FLNG 1/4-20X0.625 BLK	
21	1930641	12	HFLN, 1/4-20 LARGE BLK	
22	7102076	1	CRUISE ROD LINK	
23	7300820	1	LATCH, CRUISE	(was 7400261, weldment)
24	7101894	1	ROD, PIVOT CRUISE	
25	7300805	1	CHANNEL - CRUISE	
26	7101891	1	CRUISE - ACTUATOR	
27	7102074	1	PULL KNOB, 1/4-20 THREAD	
28	7300696Z	1	DASH, SUPPORT BRKT RH	
29	7300697Z	1	DASH, SUPPORT BRKT LH	
30	7300810Z	1	BRACKET, SUPPORT CRUISE	
31	7400252Z	1	WELDMENT, CLUTCH ROD SUPPORT	
32	7101860	1	SEAT, HI BACK	
33	721257	1	SUPPORT, SEAT	
33	7300875D	1	SUPPORT, SEAT	used on model SLT24520
34	720102	2	BOLT, SHOULDER 5/16-18	
35	720360	2	CAP, PUSH ON	
36	721259	1	ROD, PIVOT	

Footnotes:

Hood / Seat Group



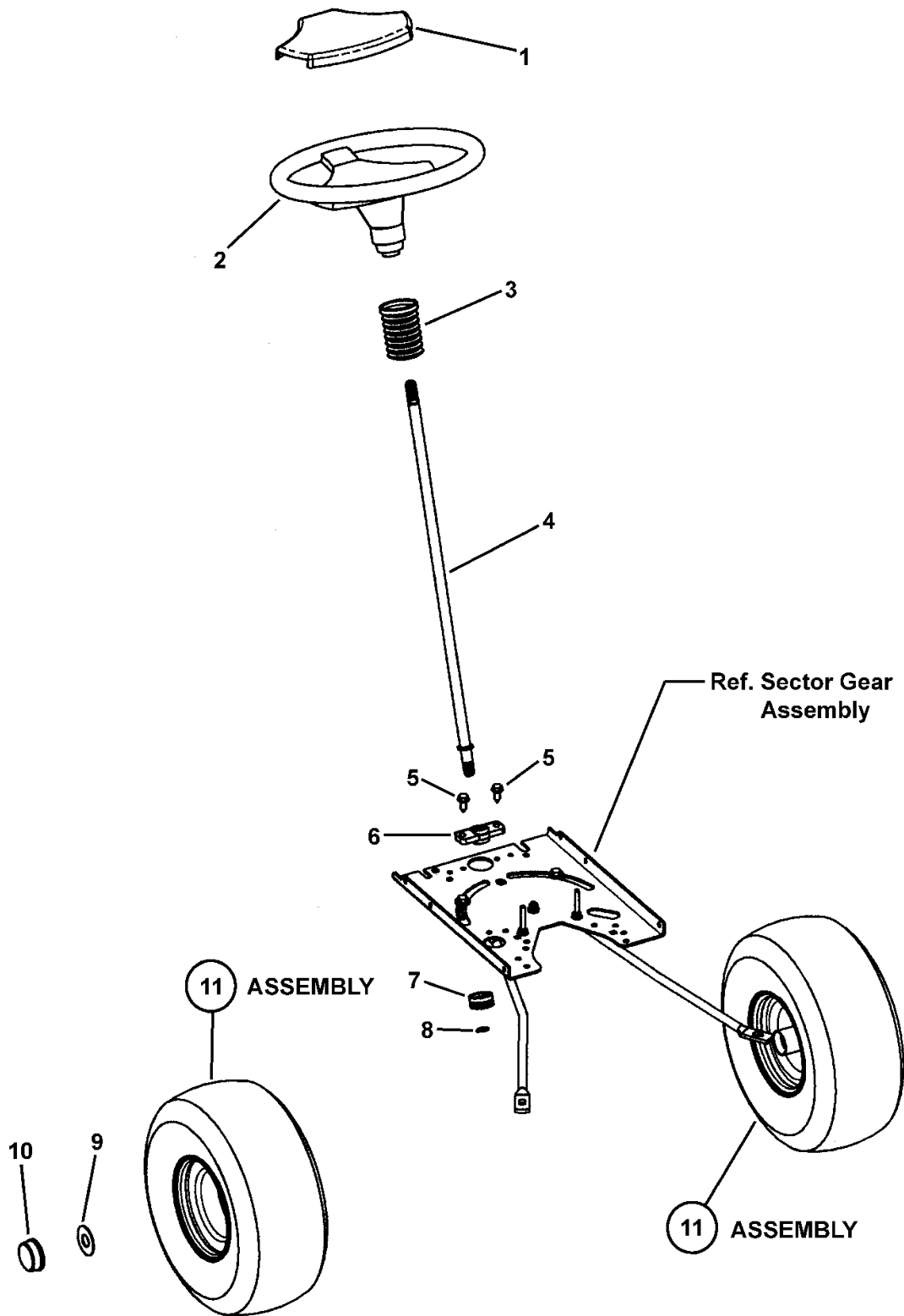
* Ref. SOLENOID
 ** Ref. PTO Bracket

Hood / Seat Group

Item	Part No	Qty	Description	Note
37	721214	1	SPRING, LEAF	
38	722851	4	SCREW 1/4-14X.38"ST-	
39	720163	2	FW, .34X.62X16GA	
40	721425	2	BOLT, WING, 0.62L X 5/16-18 UNC 2A	
41	720101	1	BOLT, SHOULDER 1/4-20 X 3.652 2A	
42	721258	1	WASHER, CUP, 1.50 OD X 0.344 ID	
43	727614	1	SPRING, COMPRESSION 4.57 FREE LENGTH	
44	721531	1	PIVOT, BRACKET SEAT	
44	7300794D	1	BRACKET SEAT PIVOT	<i>used on model SLT24520</i>
45	7091298	2	HLN, 5/16-18-3B YZ ESNA	
46	720146	1	NUT, 1/4-20 HF	
47	721276	1	PLATE, INDEX	
47	7300865Z	1	PLATE, INDEX	<i>used on model SLT24520</i>
48	720182	12	FASTENER PANEL	
49	7101772	1	MAT, LEFT	
50	7101773	1	MAT, RIGHT	
51	7300818Z	1	STIFFENER, STEERING	
52	7300772Z	1	BULKHEAD	
53	7300658Z	1	HOOD, PIVOT LH	
54	7300657Z	1	HOOD, PIVOT RH	
55	7101657	2	BOLT, SHOULDER	
56	720142	2	NUT, HEX FLANGE, 3/8-16 NC	
57	7101458	1	HARNES, HEADLIGHT, TCT, 1/4 TERMINALS	
58	1727296	1	HEADLIGHT ASSY (Includes #'s 59, 60, 61, & 62)	
59	1728973	1	REFLECTOR, HEADLIGHT	
60	1728974	1	LENS, HEADLIGHT	
61	1723451	2	SOCKET, LIGHT	
62	1677371	2	BULB, 12.8V (1141)	
63	1728059D	1	GRILLE, SNAPPER	
64	7101810	1	INSERT, LIGHT BAR	

Footnotes:

Steering Group

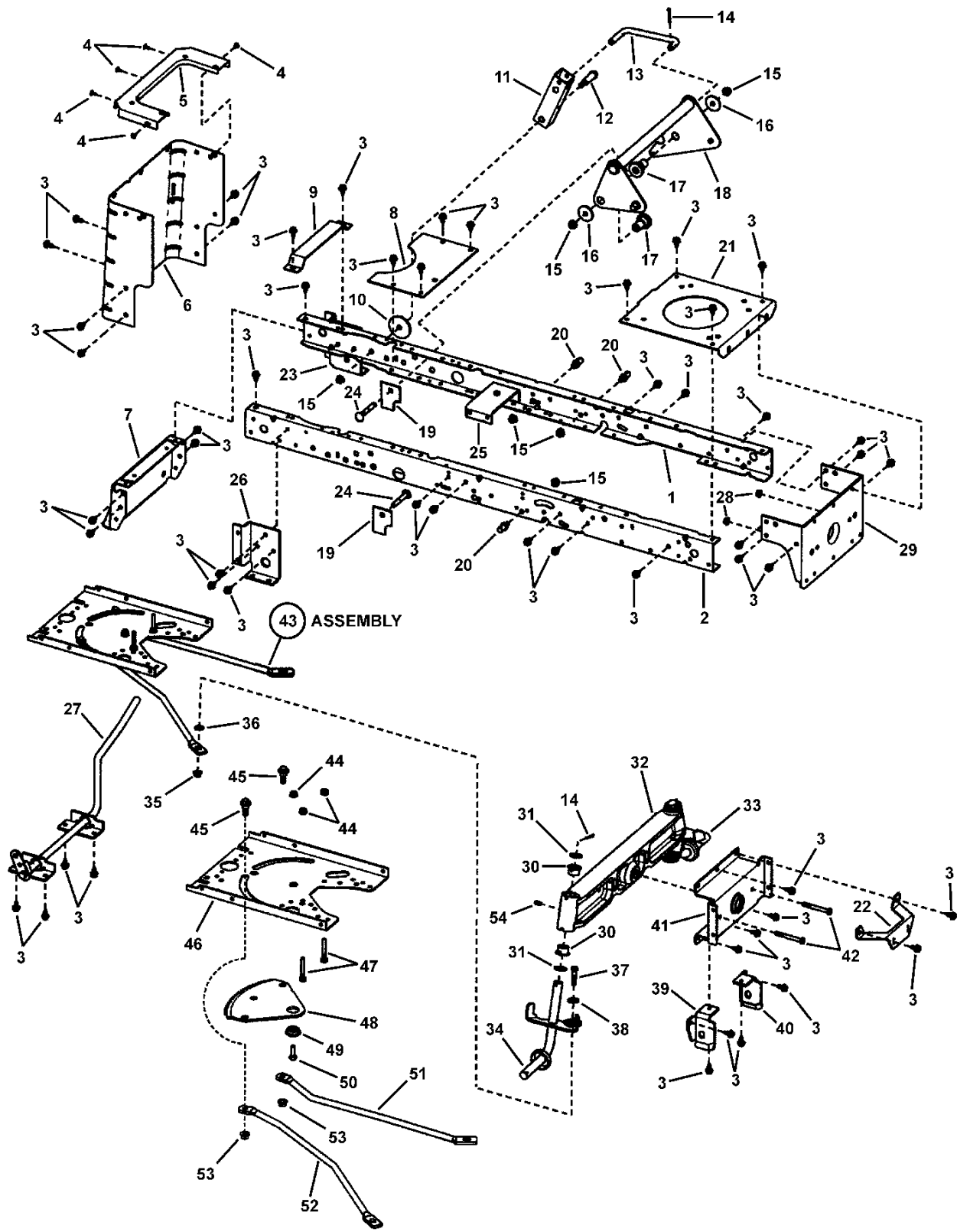


Steering Group

Item	Part No	Qty	Description	Note
1	729275	1	COVER, INTEGRA	
2	727628	1	STEERING WHEEL (SOFT RIM)	
3	720973	1	BELLOWS - STEERING POST	
4	7101525	1	STEERING POST - 24.56" LONG	
5	722867	2	CAPSCREW 5/16-18	
6	721242	1	BEARING - LOWER	
7	725138	1	GEAR PINION	
8	720119	1	SNAP RING, 0.543"ID	
9	722620	2	FW, 1.862X .765 X 16GA	
10	721318	2	HUB CAP	
11	7101566	2	WHEEL & TIRE ASSY, 18X6.50-8	

Footnotes:

Main Frame Group

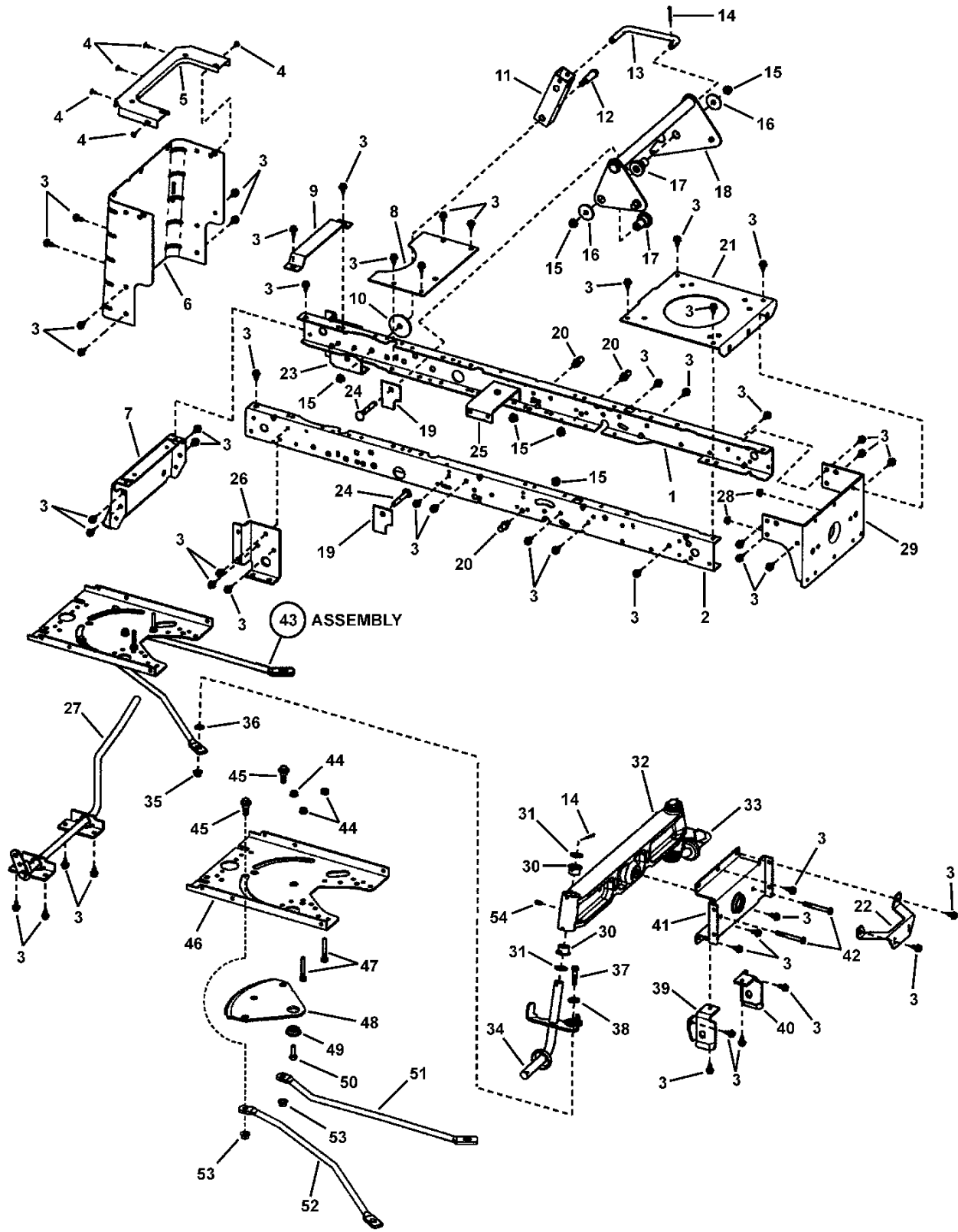


Main Frame Group

Item	Part No	Qty	Description	Note
	7400221Z	1	ASSEMBLY, MAIN FRAME	<i>(includes 1 thru 54 below)</i>
1	7300869	1	RAIL, FRAME LH	<i>was M721603</i>
2	7300870	1	RAIL, FRAME RH	<i>was M721604</i>
3	722858	54	CAPSCREW 5/16-18	
4	729075	5	SCREW, THREAD FORMING 10-24X.340MIN THREADS	
5	7300876	1	TOP, REAR PLATE	<i>was M728900</i>
6	7300866	1	PLATE, REAR	<i>was M728478</i>
7	7300864	1	PLATE, HITCH	<i>was M726871</i>
8	7300689	1	PLATE, IDLER PULLEY HYDRO GEAR	
9	7300741	1	BRACKET, BATTERY SUPPORT	<i>was 7300741</i>
10	722616	1	WASHER PLAIN .406 X 2.25	
11	7300819	1	BRACKET, PIVOT	<i>was M721190</i>
12	720099	1	SHOULDER BOLT, 1.563L X 0.75D X 9/16 X 3/8-16	
13	7300877	1	LIFT HANDLE LINK	<i>was M725122</i>
14	7091809	3	PIN, COTTER 1/8 X 1.25 YZ	
15	7091619	6	HFLN, 3/8-16 YZ	
16	7013866	2	WASHER 1-1/2 OD	
17	725131	2	SPACER - LIFTER PIVOT	
18	7500525	1	LIFTER WELDMENT	
19	7300868	2	PLATE, STIFFENING	<i>was M728409</i>
20	721221	3	PIN - THREADED SHOULDER	
21	7300863	1	PLATE, ENGINE	<i>was M721187</i>
22	7300817	1	BRACKET, MUFFLER MOUNTING	<i>was M725215</i>
23	7300830	1	BRACKET, TRANSAXLE LH	<i>was M721271</i>
24	7091008	2	RHSSNB, 3/8CX2-1/2	
25	7500601	1	ASSY, IDLER BRKT (SECONDARY)	
26	7300831	1	BRACKET, TRANSAXLE RH	<i>was M721270</i>
27	7400237	1	WELDMENT - BRAKE LEVER	
28	7092081	2	HFLN, 5/16-24 BZ	
29	7300751	1	BRACKET, HANGER REAR	<i>was M721456</i>
30	725130	4	BEARING SPINDLE	
31	7010935	4	WASHER, .77X1.13X.06	
32	729160	1	GT AXLE - CAST IRON	
33	7400232	1	WELDMENT - SPINDLE LH	
34	7400231	1	WELDMENT - SPINDLE RH	
35	720142	2	NUT, HEX FLANGE, 3/8-16 NC	
36	720166	2	FW, .41 X.82 X 16GA	

Footnotes:

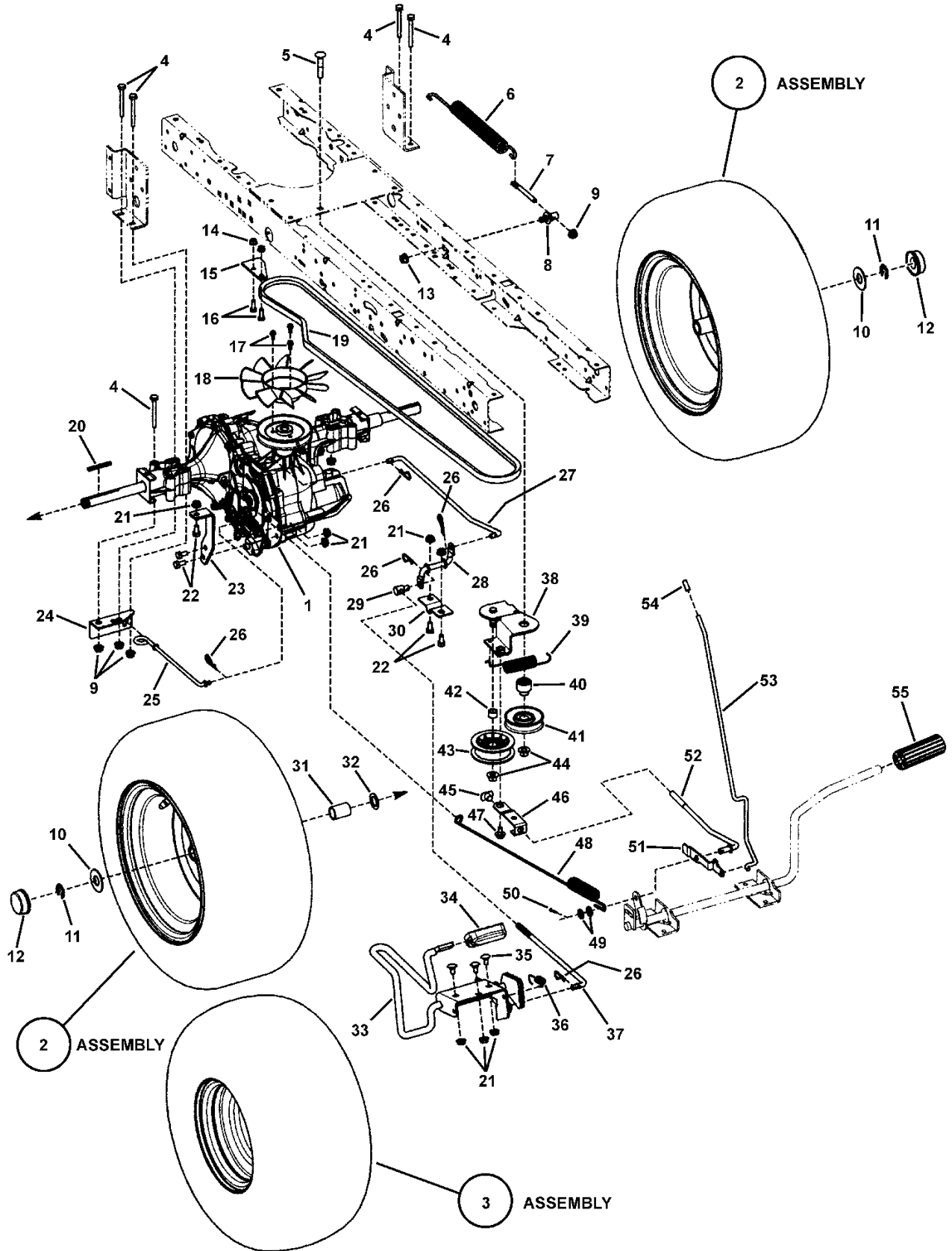
Main Frame Group



Main Frame Group

Item	Part No	Qty	Description	Note
37	720192	2	BOLT, HEX, 3/8-16 UNC X 1.50 BRIGHT ZINC	
38	722580	2	WASHER, FLAT, 25/64" ID X 1" OD X 14 GA.	
39	7300861	1	HANGER, DECK RH	<i>was M721198</i>
40	7300860	1	HANGER, DECK LH	<i>was M721199</i>
41	7300742	1	AXLE, HANGER	<i>was M728334</i>
42	720211	2	HHB, 5/16-24 X 2.75 BOLT	
43	7500524	1	SECTOR GEAR ASSY (GEAR DRIVE - LT)	
44	7090585	3	HFLN, 5/16-18 BZ	
45	720103	2	BOLT, SHOULDER 3/8-16	
46	7300867Z	1	PLATE, STEERING MT	
47	721293	2	SCREW - GUIDE	
48	721240	1	GEAR - SECTOR	
49	721241	1	BEARING - SECTOR GEAR	
50	7027168	1	HHCS, 5/16-18 X 1 YZ	
51	7101805Z	1	DRAG, LINK LH	
52	7101806Z	1	DRAG, LINK RH	
53	7091619	2	HFLN, 3/8-16 YZ	
54	721095	2	FITTING - LUBRICATION (1/4-28 Self-Tap)	

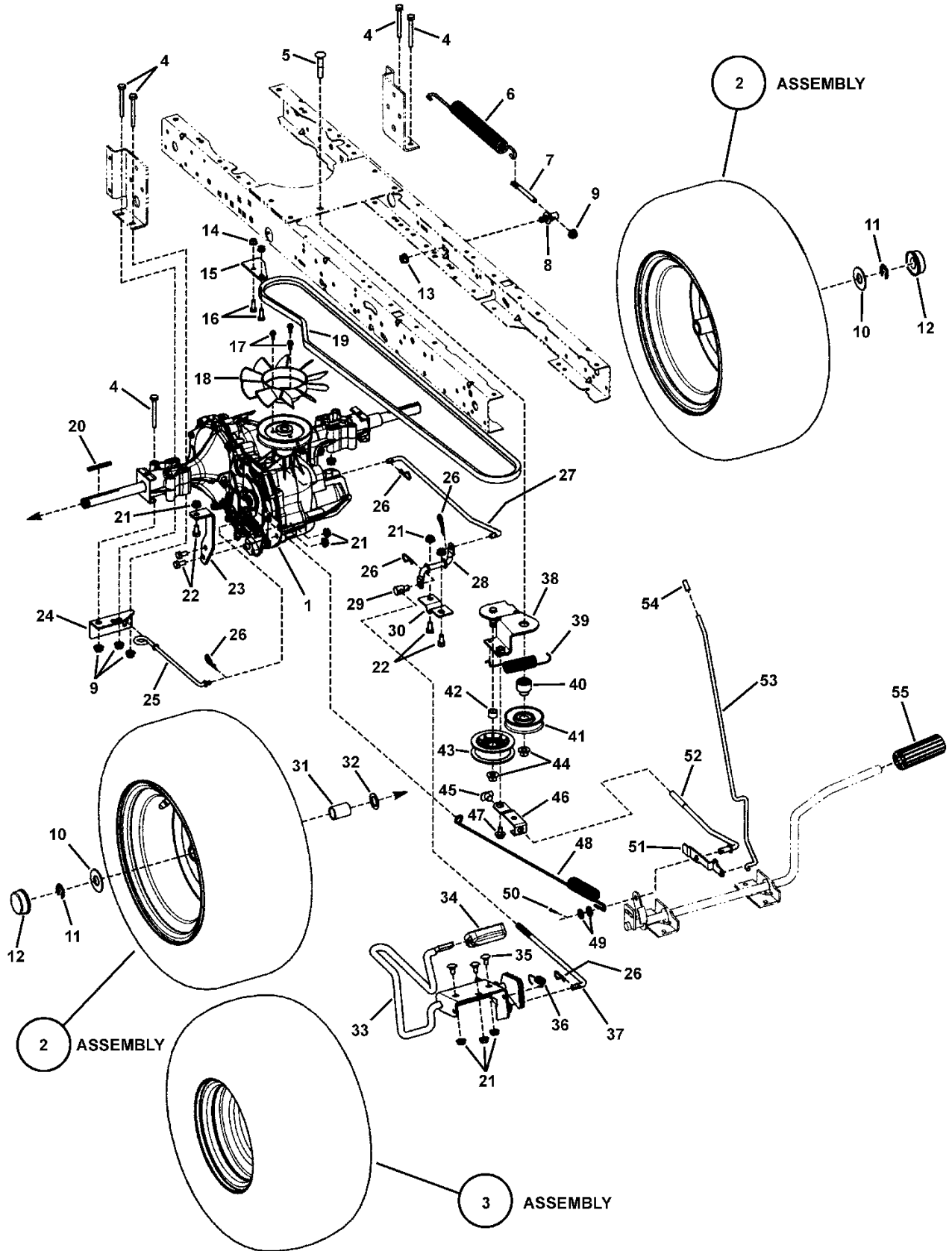
Footnotes:



Motion Drive Group

Item	Part No	Qty	Description	Note
1	7101332	1	TRANSAXLE, HYDRO GEAR #310-0510	<i>used on 21 H. P.</i>
1	7101669	1	TRANSAXLE, HYDRO GEAR #310-0610	<i>used on 23 H.P. & 24 H.P.</i>
2	7101569	2	ASSY, WHEEL & TIRE, 22X9.50-12 (incl. next 3 items)	<i>used on 23 H.P. & 24 H.P.</i>
	7101568	1	TIRE, 22X9 50-12 2PLY K358	
	7101567	1	RIM, 12X7 INT W/3 5 LG HUB SILVER	
	7012234	1	VALVE STEM, TR 412	
3	7101563	2	ASSY, WHEEL & TIRE, 20X10-8 (incl. next 3 items)	<i>used on 21 H. P.</i>
	7101562	1	TIRE, 20X10-8 2PLY K358	
	7101558	1	RIM, 8 X 7 BROACHED HUB WHEEL SILVER	
	7012234	1	VALVE STEM, TR 412	
4	720215	4	HHB, 5/16-18X2.50	
5	727761	1	BOLT, 3/8-16 x 2" Square Neck Carriage	
6	722440	1	SPRING, Extension Lift	
7	721204	1	STUD, Spring Mounting (5/16-18)	
8	725137	1	STUD, Swivel (3/8-16)	
9	720145	4	NUT, HEX FLANGE LOCK, 5/16-18 NC	
10	722620	2	FW, 1.862X .765 X 16GA	
11	720010	2	E-RING, .750D X .050T	
12	721318	2	HUB CAP	
13	720142	1	NUT, HEX FLANGE, 3/8-16 NC	
14	2860694	2	NUT, 1/4-20 Hex Flange Lock (Nyloc)	
15	7300888	1	PLATE, Forward Stop	
16	7091495	2	SCREW, 1/4-20 x 3/4" Hex Head Cap, GR 5	
17	7900057	3	SCREW, #12-24X.50 HWST	
18	7101653	1	FAN 7.0" (TEN BLADE)	
19	7035500	1	BELT, DUAL SPINDLE BRAKE	<i>HA Sect.; 85.4" Effective Length</i>
20	720258	2	3/16 SQ KEY - REAR WHEELS	
21	720139	8	HEX NUT, 5/16-18 FLANGE SER YZ	
22	720018	4	BOLT, 5/16-18 x 5/8" Hex Head, GR 5	
23	7300684Z	1	TORQUE BRACKET - HYDRO	
24	7300701Z	1	BRKT, ROLL RELEASE	
25	7101542	1	ROLL RELEASE LEVER	
26	720069	5	HAIR PIN, .56D-.092T	
27	7101453	1	ROD - REAR DRIVE	
28	7102053	1	ROD, PIVOT DRIVE	
29	7046451	1	SWIVEL, Adjustment (3/8-24)	
30	7300682Z	1	BRACKET SUPPORT	

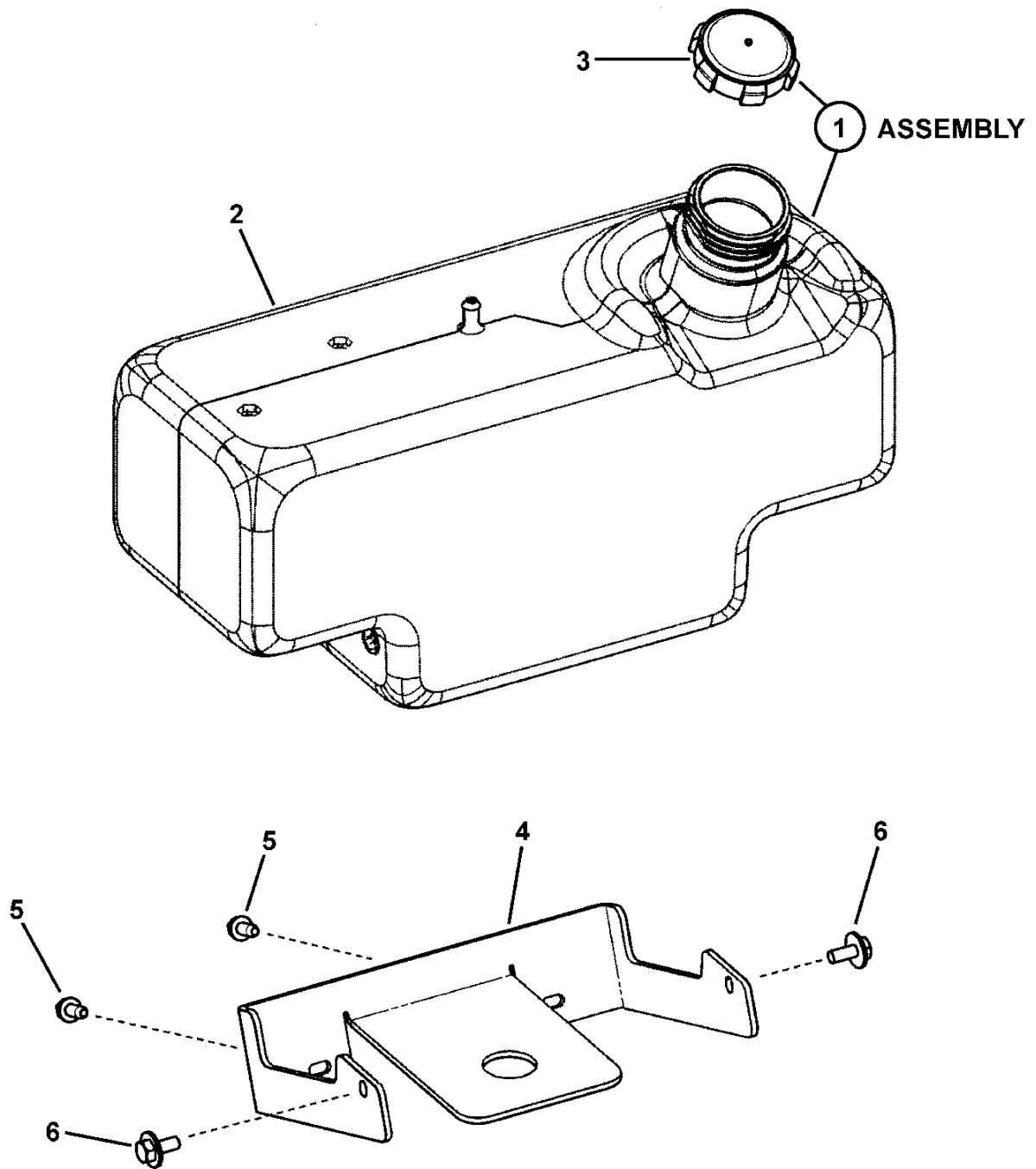
Footnotes:



Motion Drive Group

Item	Part No	Qty	Description	Note
31	7200130	2	SPACER, AXLE	
32	722598	2	WASHER, 3/4 I.D. x 1-1/4" Flat	
33	7400248Z	1	WELDMENT, FOOT CONTROL	
34	1721675	1	PAD, FORWARD FOOT	
35	720049	3	BOLT CARRIAGE, 5/16-18 X .62	
36	727933	1	SPRING, Extension	
37	7101454	1	ROD - FRONT DRIVE (3/8-24)	
38	7500602	1	WELDMENT, IDLER ARM	
39	722451	1	SPRING CLUTCH	
40	721419	1	PIVOT BUSHING	
41	725178	1	IDLER PULLEY - 3" DIA.	
42	725167	1	SPACER 1/2" TO 17MM	
43	725177	1	IDLER PULLEY - 2.75 DIA.	
44	720148	2	NUT FLANGE, 3/8-16 ZINC PLATED	
45	721420	1	NUT-TEE (3/8-16)	
46	7300934	1	LINK, Clutch	
47	720100	1	SHOULDER BOLT, 1/4-20X3.75	
48	7101801	1	SPRING, HYDRO BRAKE	
49	720164	2	WASHER, .39 Flat	
50	720387	1	PIN, .090 x 3/4" Cotter	
51	726795	1	LATCH - PARKING BRAKE	
52	7101489	1	ROD - CLUTCH DRIVE (3/8-16)	
53	7101455	1	ROD - PARKING BRAKE	
54	720870	1	GRIP	
55	720257	1	CLUTCH / BRAKE PEDAL	

Footnotes:



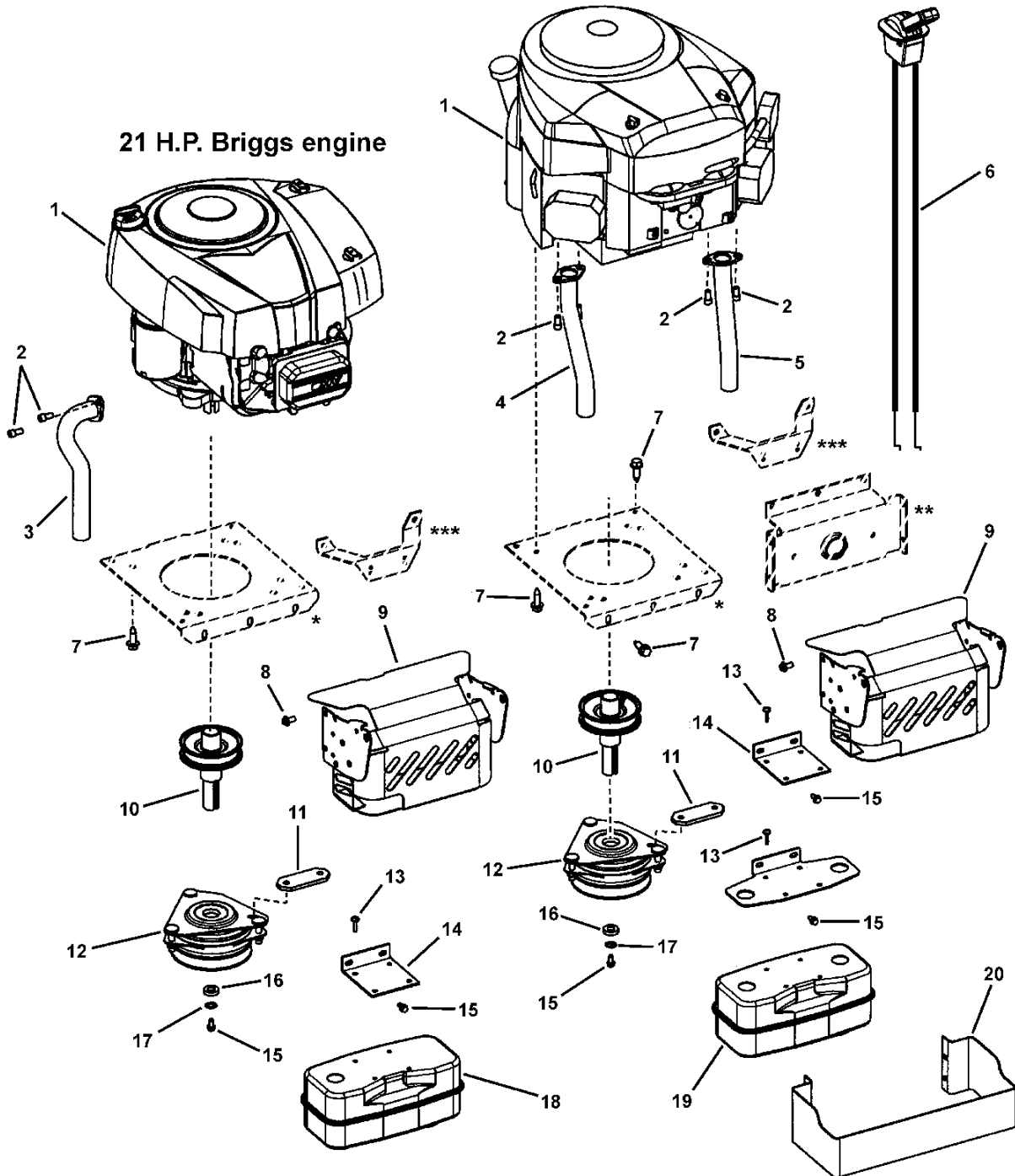
Fuel Tank Group

Item	Part No	Qty	Description	Note
1	7101521	1	FUEL TANK, TRACTOR W/CAP (SNAPPER)	
2	7101520	1	FUEL TANK, TRACTOR	
3	727333	1	FUEL CAP	(or 7101421 Cap w/tether)
4	7300653Z	1	TANK BRKT	
5	722866	2	SCREW .25-20 X0.59 HEX	
6	7091016	2	HWST 1/4CX5/8	

Footnotes:

23 H.P. Briggs engine

21 H.P. Briggs engine



*Ref. Engine Plate

**Ref. Axle Hanger

***Ref. Muffler Mounting Bracket

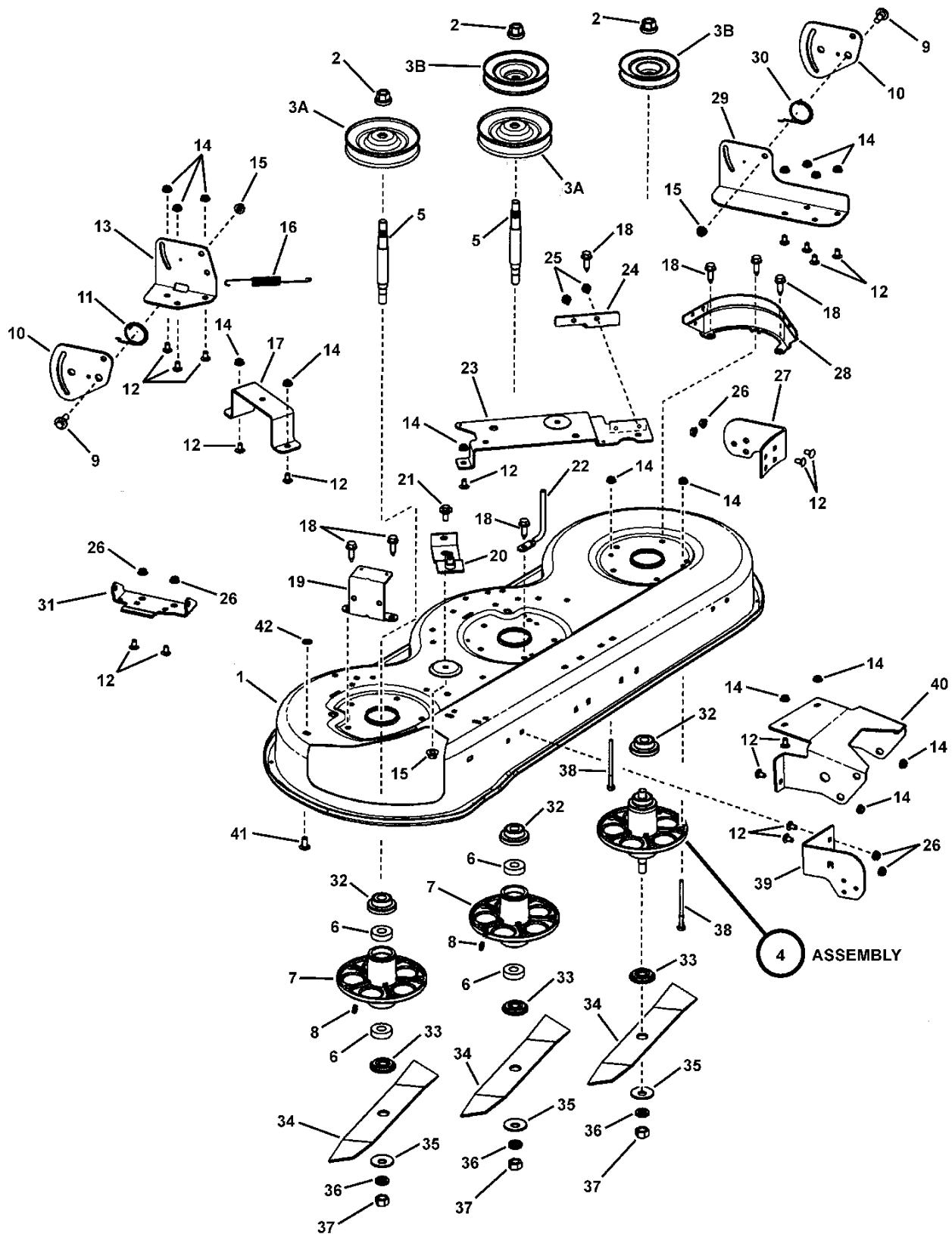
Engine Group

Item	Part No	Qty	Description	Note
1		1	* ENGINE, 19.5HP B&S INTEK SINGLE CYL Mod. 445577-0755- E1	<i>(not shown)</i>
1		1	* ENGINE, 23HP B&S ELS 2-CYL, Mod. 44L777-0125-B1	
1		1	* ENGINE, 24HP B&S, ELS, Mod. 44M777-0113-E1	<i>(not shown)</i>
2	720663	2	SCREW, TORX HEAD 5/16-18 X 5/8 YZ	<i>all</i>
3	727816	1	EXHAUST TUBE SINGLE	<i>21 H.P.</i>
4	725220	1	EXHAUST TUBE RH	<i>23 H.P. & 24 H.P.</i>
5	725221	1	EXHAUST TUBE LH	<i>23 H.P. & 24 H.P.</i>
6	1727817	1	THROTTLE ASSY, DUAL LEVER	<i>23 H.P. & 24 H.P.</i>
6	1722955	1	THROTTLE, SINGLE (not shown)	<i>21 H.P.</i>
7	720045	4	HHST, 3/8-16X1.25	<i>all</i>
8	720664	2	WASHER, 5/16-18 HEX HEAD	<i>all</i>
9	7500533Z	1	ASSY - HEAT SHIELD	<i>all</i>
10	7101543	1	ADAPTER - ELECTRIC PTO	<i>all</i>
11	7101706	1	CLUTCH, ANCHOR PAD	<i>all</i>
12	7101323	1	CLUTCH, ELECTRIC OGURA	<i>all</i>
13	722861	4	SCREW - THREAD FORMING, 0.88 X 3/16-15	<i>all</i>
14	728664	1	BRKT - MUFFLER	<i>all</i>
15	722866	1	SCREW .25-20 X0.59 HEX	<i>all</i>
16	722605	1	WASHER .470- 1.00.25 FLT	<i>all</i>
17	720183	1	WASHER, .43-.074 X .04 STAR	<i>all</i>
18	721325	1	MUFFLER - SINGLE	<i>21 H.P.</i>
19	721180	1	MUFFLER	<i>23 H.P. & 24 H.P.</i>
20	7300662	1	GUARD, HEAT SHIELD (EURO)	<i>23 H.P.</i>

Footnotes:

NOTE: * Purchase engine parts from engine manufacturer dealer.

46" Mower Housing Assembly

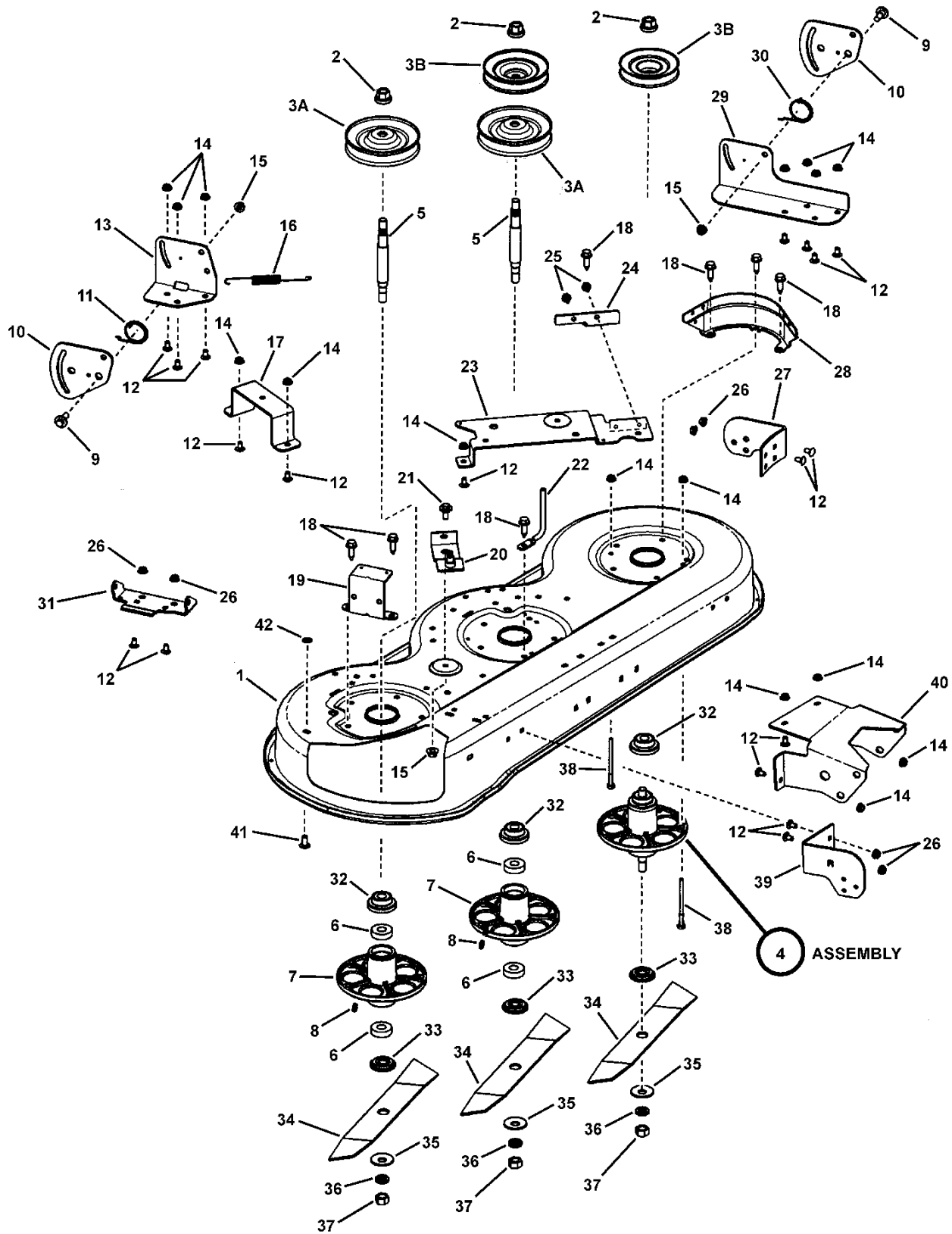


46" Mower Housing Assembly

Item	Part No	Qty	Description	Note
1	7300671	1	MOWER DECK HOUSING, 46"	
2	722397	3	NUT-NYLOCK RING - PULLEY 9/16-18	
3A	726069	2	S.S. PULLEY 46"	
3B	7101744	2	PULLEY	
4	721447	3	JACKSHAFT HOUSING ASSY	
5	726958	1	SHAFT, SPLINED	<i>(per Jackshaft Housing Assembly)</i>
6	726957	2	BALL BEARING, JACKSHAFT	<i>(per Jackshaft Housing Assembly)</i>
7	726959	1	JACKSHAFT HOUSING	<i>(per Jackshaft Housing Assembly)</i>
8	721095	1	FITTING - LUBRICATION (1/4-28 Self-Tap)	<i>(per Jackshaft Housing Assembly)</i>
9	720097	2	SHOULDER BOLT, 3/8-16X1.06	
10	726498	2	PLATE SUSPENSION	
11	722511	1	SPRING, TORSION RH	
12	720049	19	BOLT CARRIAGE, 5/16-18 X .62	
13	726831	1	BRACKET, RIGHT REAR	
14	720139	3	HEX NUT, 5/16-18 FLANGE SER YZ	
15	720142	2	NUT, HEX FLANGE, 3/8-16 NC	
16	722485	1	SPRING	
17	726830	1	BRACKET, BELL CRANK	
18	720045	15	HHST, 3/8-16X1.25	
19	728320	1	BRACKET, COVER	
20	7400226	1	ASSY - IDLER ARM, 46", RH	
21	720091	5	SHOULDER BOLT, 0.75 X 0.60 X 3/8-16	
22	720989	1	GUIDE, BELT	
23	721308	1	BRACKET - BRAKE MTG 46'	
24	721310	1	BRACKET, BRAKE PLATE	
25	722858	4	CAPSCREW 5/16-18	
26	720145	6	NUT, HEX FLANGE LOCK, 5/16-18 NC	
27	727317	1	BRACKET, LEFT GAUGE WHEEL	
28	725149	1	BRACKET, PULLEY COVER	
29	721309	1	BRACKET, LEFT LIFTER	
30	722512	1	SPRING, TORSION RH	
31	728319	1	BRACKET, HINGE	
32	721446	2	SPACER, PULLEY	
33	725179	3	BLADE ADAPTER	
34	720658	3	BLADE (15.68")	
35	722601	3	WASHER-BELLEVILLE 1.0 X .625 X .200	
36	722600	3	WASHER - HARDENED 1.00D X .625ID X .188	

Footnotes:

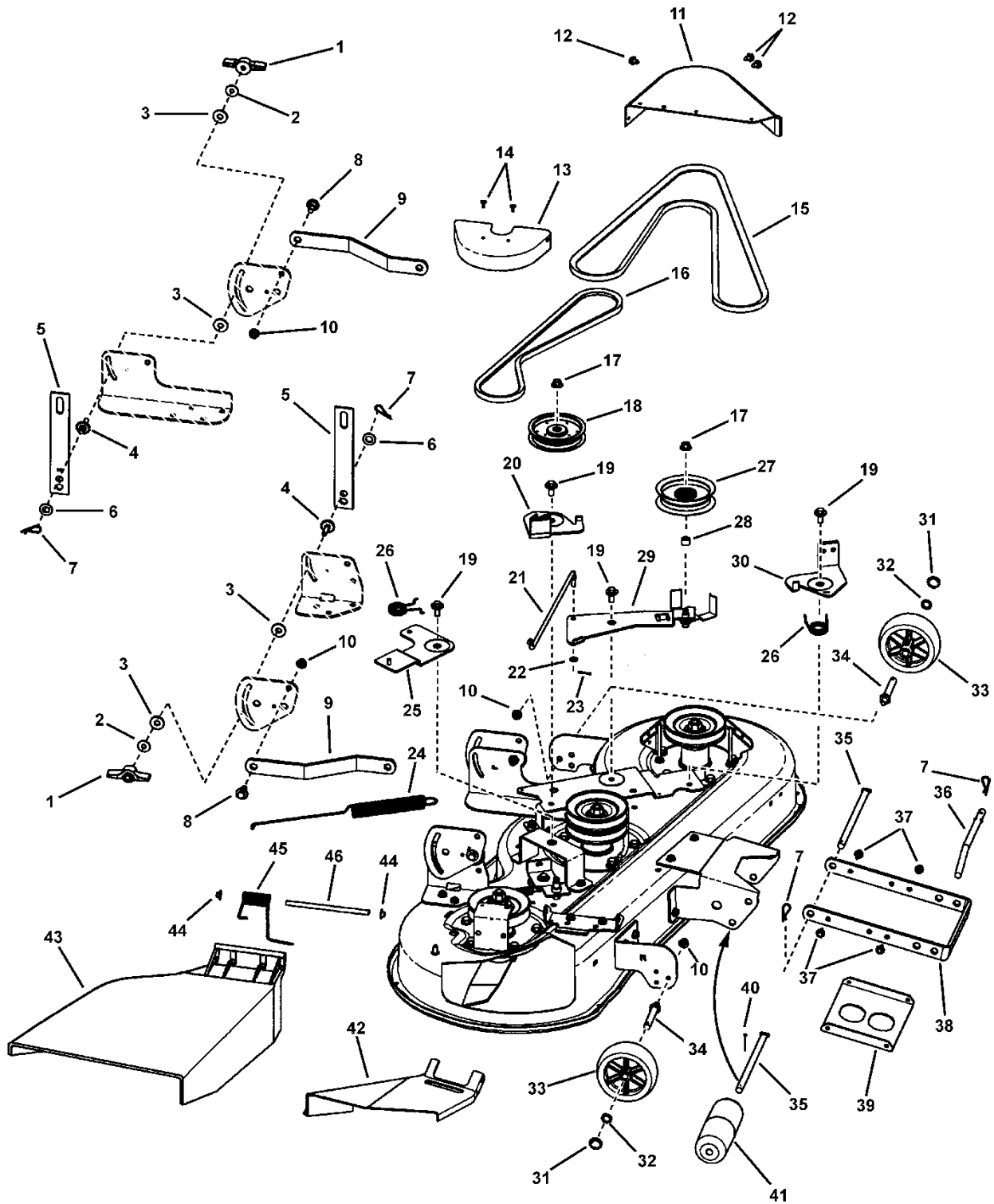
46" Mower Housing Assembly



46" Mower Housing Assembly

Item	Part No	Qty	Description	Note
37	722382	3	NUT, BLADE, 9/16-18 ZINC PLATE YELLOW CHROMATE	
38	720908	2	GUIDE, SCREW	
39	721364	1	BRACKET, RIGHT GAUGE WHEEL	
40	728906	1	BRACKET, FRONT DECK	
41	720053	1	CARRIAGE BOLT	
42	720372	1	BOLT RETAINER	

Footnotes:



46" Mower Deck Group

Item	Part No	Qty	Description	Note
1	721222	2	KNOB	
2	720161	2	WASHER FLAT, 1.0 X .328 X 16GA	
3	721250	2	FRICTION PAD	
4	721402	2	PIN - HANGER 3/8-16 X 1.25	
5	725226	2	LINK, LIFT	
6	722579	3	WASHER - FLAT, 1.0"OD X 0.550"	
7	720069	2	HAIR PIN, .56D-.092T	
8	720098	2	SHOULDER BOLT, 3/8-16 X .600OD X.95L	
9	725230	2	BRACKET, REAR SUSPENSION	
10	720142	6	NUT, HEX FLANGE, 3/8-16 NC	
11	721313	1	COVER, LEFT PULLEY	
12	722871	3	SCREW	
13	721315	1	COVER, RIGHT PULLEY	
14	729075	2	SCREW, THREAD FORMING 10-24X.340MIN THREADS	
15	720416	1	BELT, PRIMARY (88.30" HA) 46" MOWER	
16	720404	1	BELT, SECONDARY (47.10" HA) 46" MOWER	
17	720148	2	NUT FLANGE, 3/8-16 ZINC PLATED	
18	725225	1	PULLEY IDLER	
19	720091	3	SHOULDER BOLT, 0.75 X 0.60 X 3/8-16	
20	7500566	1	BRAKE ASSEMBLY CENTER	
21	727459	1	LINK BELLCRANK	
22	720163	1	FW, .34X.62X16GA	
23	720387	1	PIN - COTTER, 0.75 X 0.090	
24	722441	1	SPRING	
25	721311	1	BELLCRANK	
26	722510	2	SPRING, TORSION BRAKE	
27	725171	1	PULLEY BACKSIDE IDLER, 4.0 OD	
28	725167	2	SPACER 1/2" TO 17MM	
29	7400227	1	ASSY - IDLER ARM, 46"	
30	7500565	1	ASSY - BRAKE LH 46"	
31	720392	2	CLIP - HAIR PIN	
32	720173	2	WASHER, FLAT, .81 X .550 X 16GA	
33	721118	2	WHEEL GAGE	
34	721197	2	BOLT AXLE, 3/8-16 X 3.0	
35	721376	2	ROD, DECK SUSPENSION	
36	721263	1	ROD, HANGER	
37	722858	2	CAPSCREW 5/16-18	

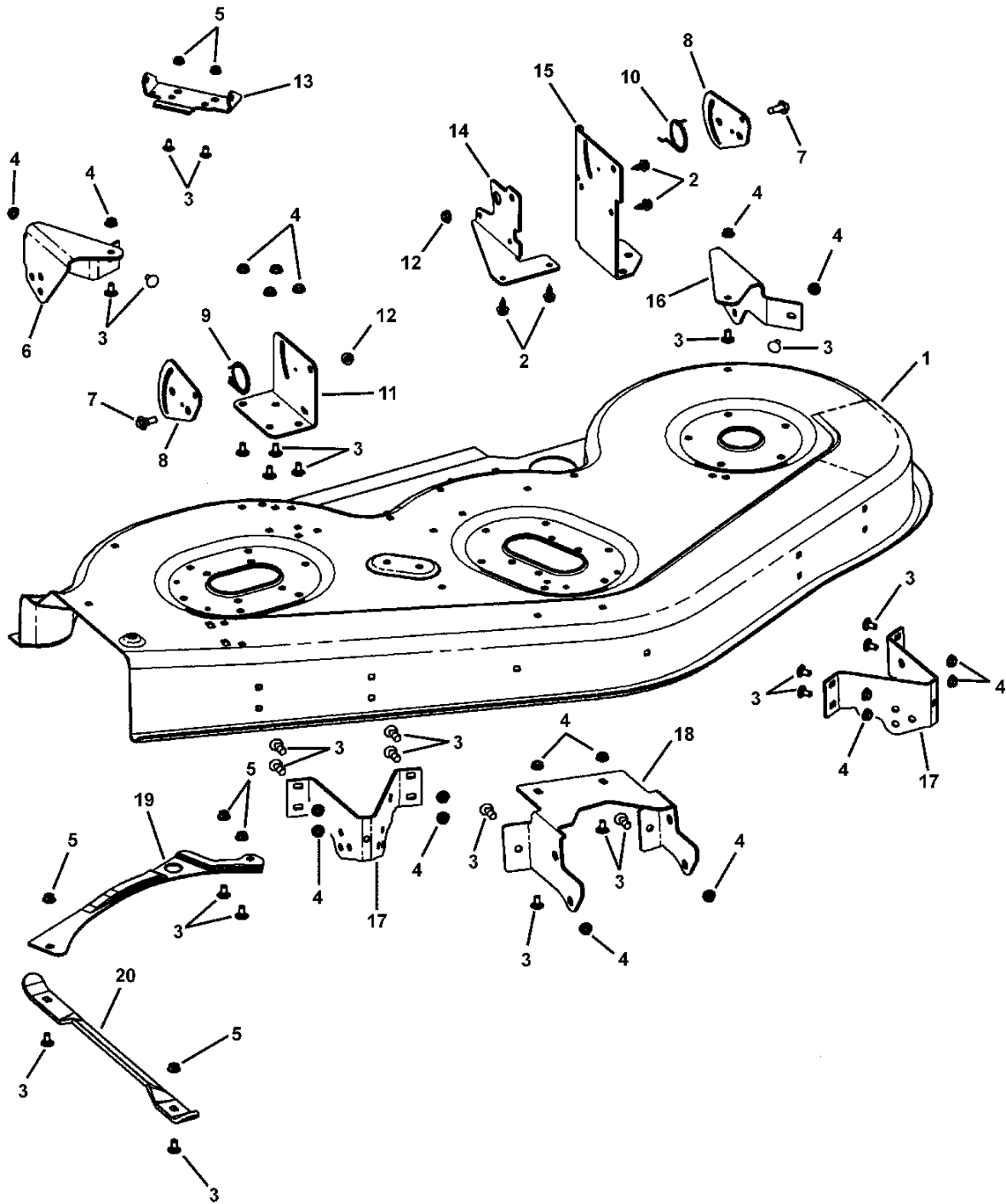
Footnotes:

46" Mower Deck Group

Item	Part No	Qty	Description	Note
38	721346	1	BRACKET, FRONT SUSPENSION	
39	721312	1	STIFFENER	
40	720390	1	COTTER PIN	
41	721453	1	ROLLER	
42	720983	1	DEFLECTOR, INSIDE	
43	720982	1	DEFLECTOR, CHUTE	
44	720360	1	CAP, PUSH ON	
45	722504	1	SPRING - TORSION	
46	721017	1	ROD, DEFLECTOR	

Footnotes:

50" Mower Housing Assembly

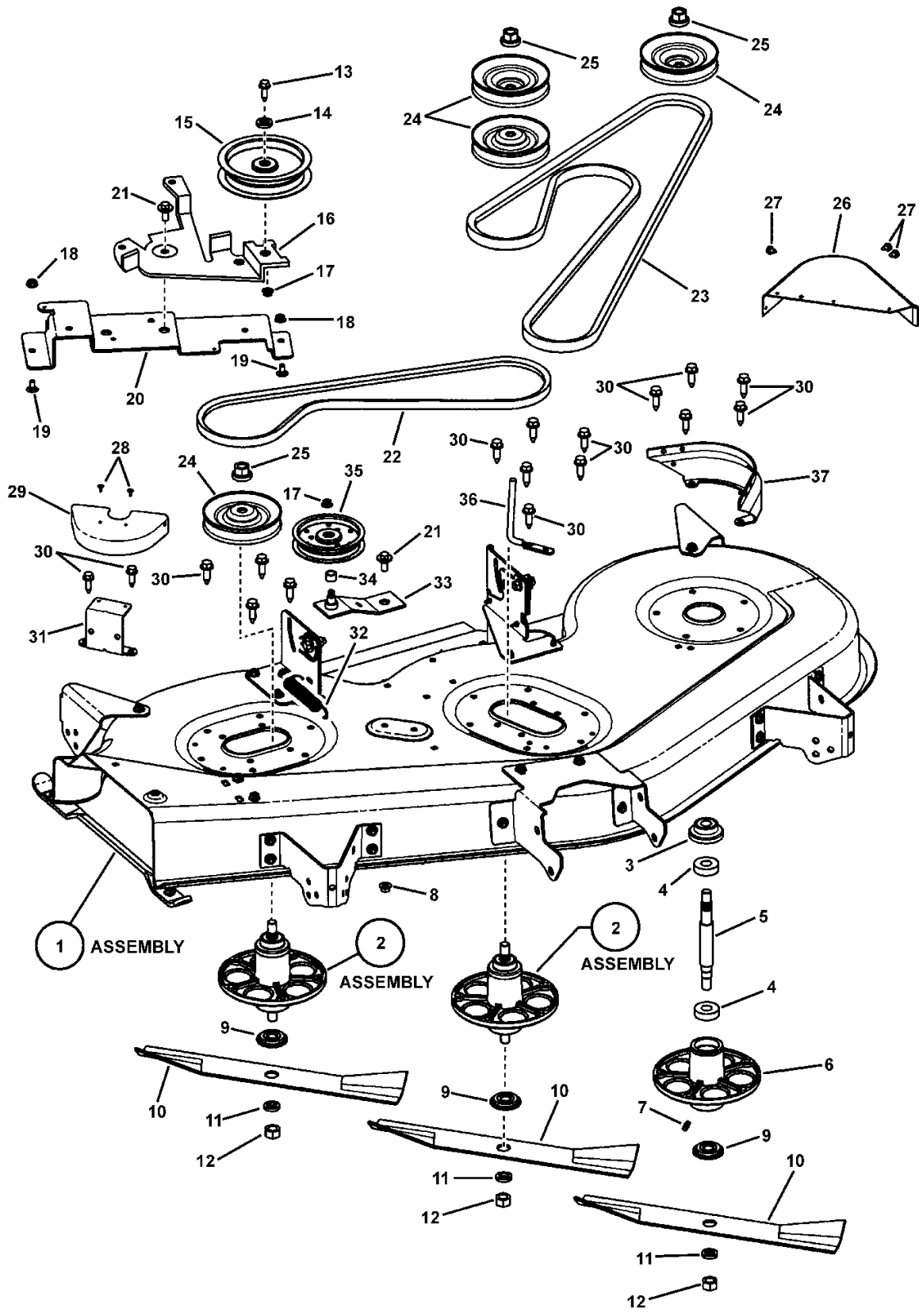


50" Mower Housing Assembly

Item	Part No	Qty	Description	Note
1	726814	1	BLADE HOUSING 50/52	
2	722858	4	CAPSCREW 5/16-18	
3	720049	26	BOLT CARRIAGE, 5/16-18 X .62	
4	720139	20	HEX NUT, 5/16-18 FLANGE SER YZ	
5	720145	3	NUT, HEX FLANGE LOCK, 5/16-18 NC	
6	726824	1	BRACKET GAGE WHEEL RH REAR	
7	720097	2	SHOULDER BOLT, 3/8-16X1.06	
8	726498	2	PLATE SUSPENSION	
9	722511	1	SPRING, TORSION RH	
10	722512	1	SPRING, TORSION RH	
11	726373	1	BRACKET LIFTER RH 50"	
12	720142	2	NUT, HEX FLANGE, 3/8-16 NC	
13	728319	1	BRACKET, HINGE	
14	727152	1	BRACE LH LIFTER	
15	726473	1	BRACKET LIFTER LH	
16	726823	1	BRACKET GAGE WHEEL LH REAR	
17	721457	2	BRACKET GAGE WHEEL 52"	
18	721336	1	BRACKET FRONT DECK 50"	
19	726790	1	BAFFLE 48/52 RH BOTTOM	
20	721399	1	BRACKET CHUTE SUPPORT	

Footnotes:

50" Deck Blade Drive Assembly

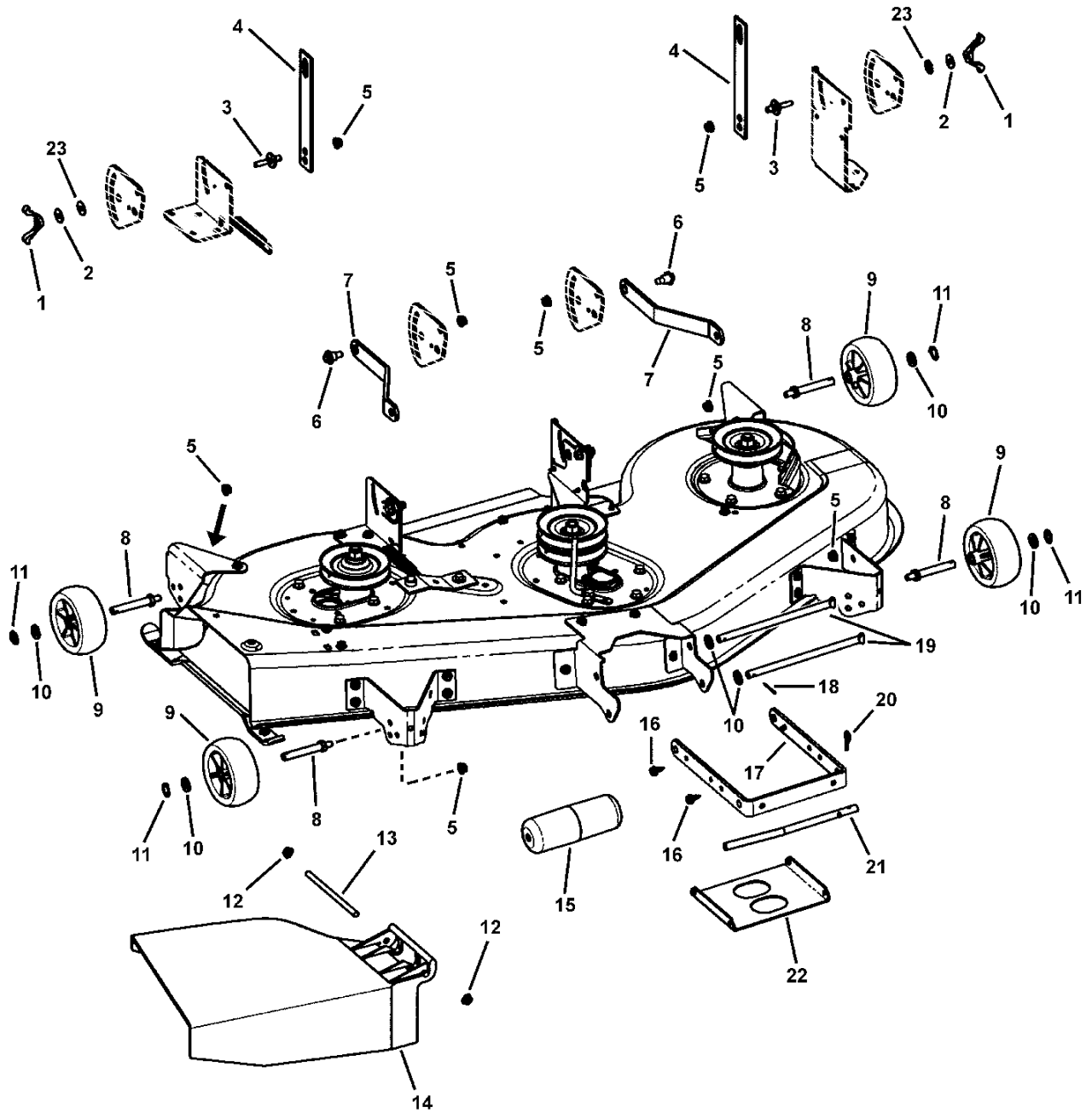


50" Deck Blade Drive Assembly

Item	Part No	Qty	Description	Note
1	7500607	1	ASSY, MOWER HOUSING 48/50/52"	
2	721447	3	JACKSHAFT HOUSING ASSY	
3	721446	1	SPACER, PULLEY	<i>(per Jackshaft Housing Assembly)</i>
4	726957	2	BALL BEARING, JACKSHAFT	<i>(per Jackshaft Housing Assembly)</i>
5	726958	1	SHAFT, SPLINED	<i>(per Jackshaft Housing Assembly)</i>
6	726959	1	JACKSHAFT HOUSING	<i>(per Jackshaft Housing Assembly)</i>
7	721095	1	FITTING - LUBRICATION (1/4-28 self-Tap)	<i>(per Jackshaft Housing Assembly)</i>
8	720142	1	NUT, HEX FLANGE, 3/8-16 NC	
9	725179	3	BLADE ADAPTER	
10	721334	3	BLADE 50/52 (17.66")	
11	722600	6	WASHER - HARDENED 1.00D X .625ID X .188	
12	722382	3	NUT, BLADE, 9/16-18 ZINC PLATE YELLOW CHROMATE	
13	720192	1	BOLT, HEX, 3/8-16 UNC X 1.50 BRIGHT ZINC	
14	7090122	1	WASHER, 3/8" Flat SAE	
15	721385	1	PULLEY BACKSIDE IDLER	
16	7300924	1	ARM - IDLER	<i>ref. 725117 & 7300922)</i>
17	720148	1	NUT FLANGE, 3/8-16 ZINC PLATED	
18	720139	2	HEX NUT, 5/16-18 FLANGE SER YZ	
19	720049	2	BOLT CARRIAGE, 5/16-18 X .62	
20	7300923	1	BRACKET - BRAKE MOUNTING	<i>ref. 726514</i>
21	720091	1	SHOULDER BOLT, 0.75 X 0.60 X 3/8-16	
22	726842	1	BELT SECONDARY 52.75" HA	
23	726855	1	V-BELT A WEDGE 103.10 HA	<i>ref. 1734048</i>
24	726069	4	S.S. PULLEY 46"	
25	726507	3	NUT PULLEY	
26	721313	1	COVER, LEFT PULLEY	
27	722871	3	SCREW	
28	722859	2	SCREW THREAD FORMING	
29	721315	1	COVER, RIGHT PULLEY	
30	720045	15	HHST, 3/8-16X1.25	
31	728320	1	BRACKET, COVER	
32	722438	1	SPRING, EXTENSION	
33	7400265	1	ASSEMB-IDLER ARM 50"	<i>(was 721338)</i>
34	725167	1	SPACER 1/2" TO 17MM	
35	725225	1	PULLEY IDLER	
36	721081	1	ROD BELT GUIDE	
37	725149	1	BRACKET, PULLEY COVER	

Footnotes:

50" Deck Housing Suspension Assembly

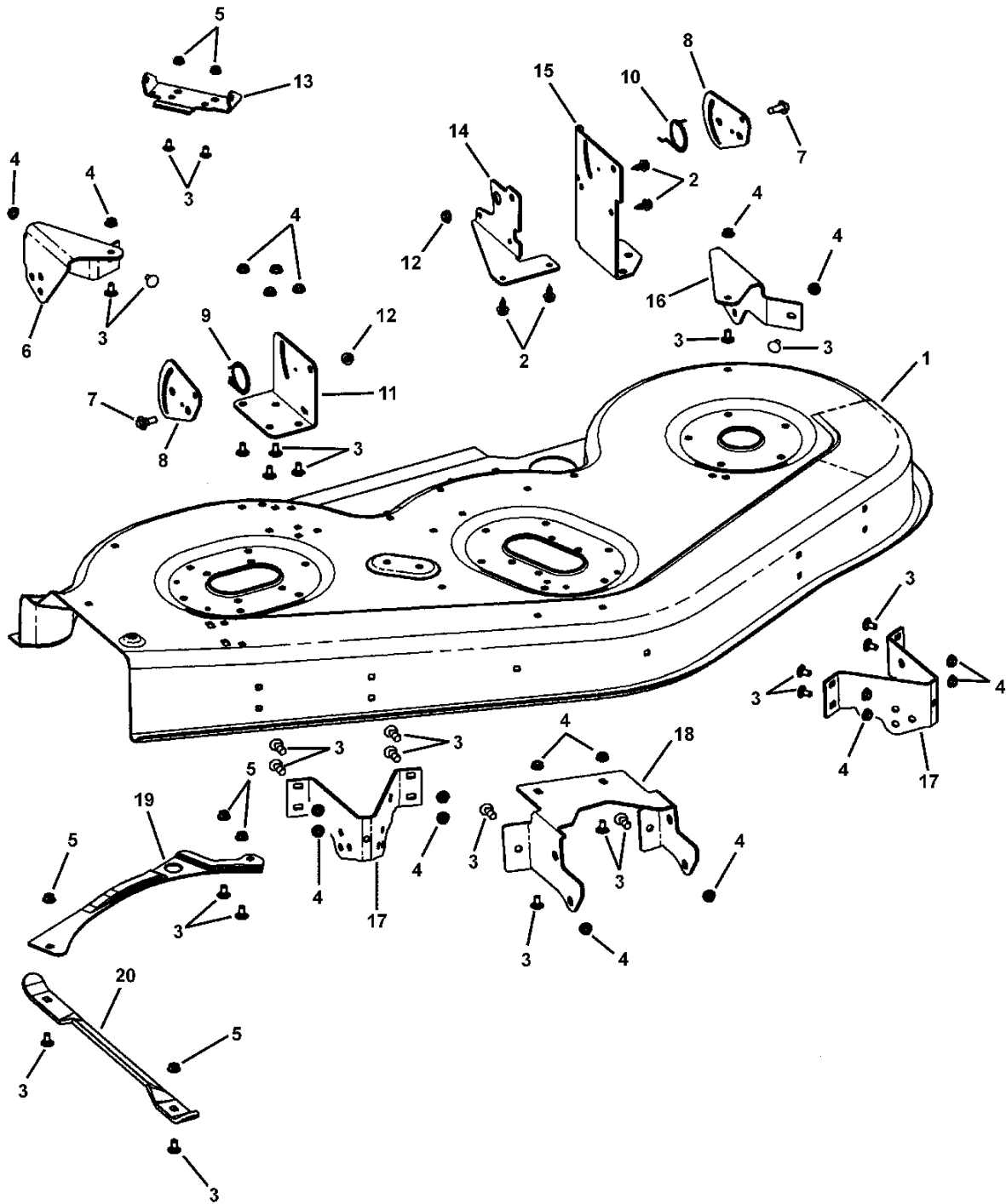


50" Deck Housing Suspension Assembly

Item	Part No	Qty	Description	Note
	7500606	1	ASSY, BLADE DRIVE 50/52"	
1	721380	2	WINGNUT	
2	720161	2	WASHER FLAT, 1.0 X .328 X 16GA	
3	721402	2	PIN - HANGER 3/8-16 X 1.25	
4	728667	2	LINK, LIFT	<i>ref. 7300921D</i>
5	720142	8	NUT, HEX FLANGE, 3/8-16 NC	
6	720098	2	SHOULDER BOLT, 3/8-16 X .600OD X.95L	
7	721212	2	BRACKET, REAR SUSPENSION	<i>ref. 7300826D</i>
8	721197	4	BOLT AXLE, 3/8-16 X 3.0	
9	721118	4	WHEEL GAGE	
10	722579	6	WASHER - FLAT, 1.0"OD X 0.550"	
11	720392	4	CLIP - HAIR PIN	
12	720360	2	CAP, PUSH ON	
13	721017	1	ROD, DEFLECTOR	
14	720982	1	DEFLECTOR, CHUTE	
15	721453	1	ROLLER	
16	722858	4	CAPSCREW 5/16-18	
17	728665	1	BRACKET, SUSPENSION FRONT	<i>ref. 7300767D</i>
18	720390	1	COTTER PIN	
19	721376	2	ROD, DECK SUSPENSION	
20	720069	2	HAIR PIN, .56D-.092T	
21	721263	1	ROD, HANGER	
22	721312	1	STIFFENER	<i>ref. 7300871D</i>
23	720185	4	WASHER	

Footnotes:

52" Mower Housing Assembly

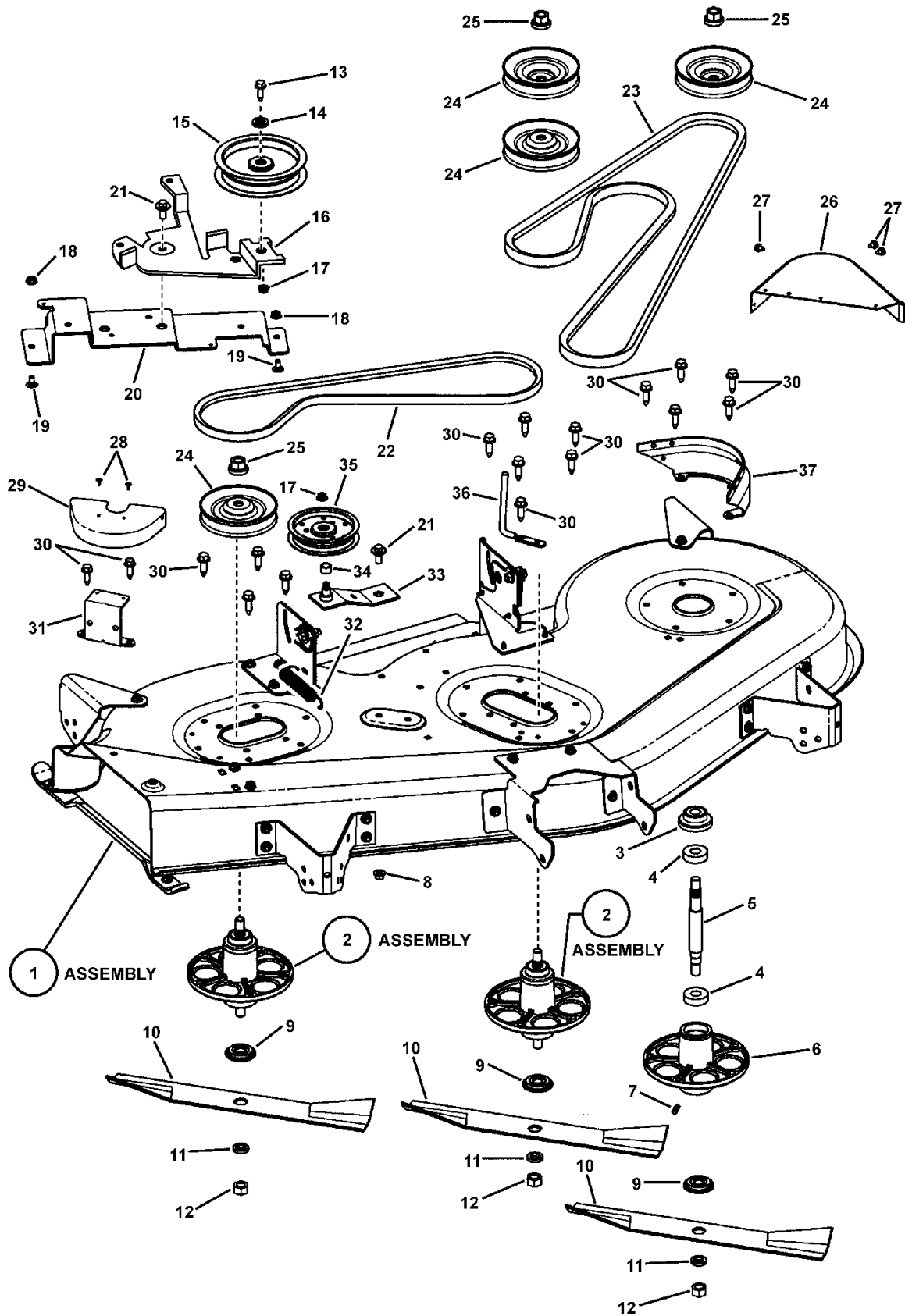


52" Mower Housing Assembly

Item	Part No	Qty	Description	Note
1	726814	1	BLADE HOUSING 50/52	
2	722858	4	CAPSCREW 5/16-18	
3	720049	26	BOLT CARRIAGE, 5/16-18 X .62	
4	720139	20	HEX NUT, 5/16-18 FLANGE SER YZ	
5	720145	3	NUT, HEX FLANGE LOCK, 5/16-18 NC	
6	726824	1	BRACKET GAGE WHEEL RH REAR	
7	720097	2	SHOULDER BOLT, 3/8-16X1.06	
8	726498	2	PLATE SUSPENSION	
9	722511	1	SPRING, TORSION RH	
10	722512	1	SPRING, TORSION RH	
11	726373	1	BRACKET LIFTER RH 50"	
12	720142	2	NUT, HEX FLANGE, 3/8-16 NC	
13	728319	1	BRACKET, HINGE	
14	727152	1	BRACE LH LIFTER	
15	726473	1	BRACKET LIFTER LH	
16	726823	1	BRACKET GAGE WHEEL LH REAR	
17	721457	2	BRACKET GAGE WHEEL 52"	
18	721336	1	BRACKET FRONT DECK 50"	
19	726790	1	BAFFLE 48/52 RH BOTTOM	
20	721399	1	BRACKET CHUTE SUPPORT	

Footnotes:

52" Deck Blade Drive Assembly

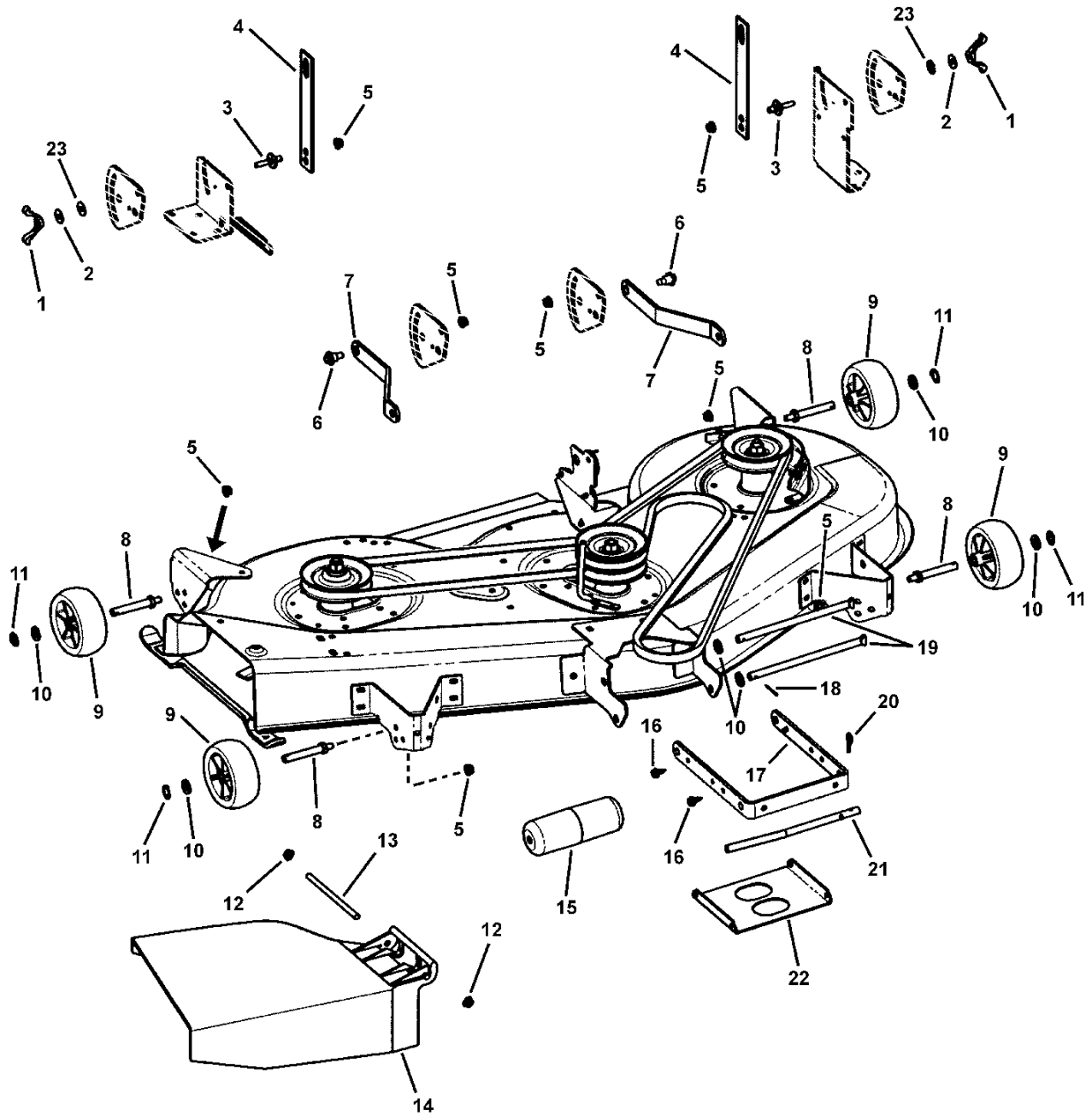


52" Deck Blade Drive Assembly

Item	Part No	Qty	Description	Note
1	7500607	1	ASSY, MOWER HOUSING 48/50/52"	
2	721447	3	JACKSHAFT HOUSING ASSY	
3	721446	1	SPACER, PULLEY	<i>(per Jackshaft Housing Assembly)</i>
4	726957	2	BALL BEARING, JACKSHAFT	<i>(per Jackshaft Housing Assembly)</i>
5	726958	1	SHAFT, SPLINED	<i>(per Jackshaft Housing Assembly)</i>
6	726959	1	JACKSHAFT HOUSING	<i>(per Jackshaft Housing Assembly)</i>
7	721095	1	FITTING - LUBRICATION (1/4-28 self-Tap)	<i>(per Jackshaft Housing Assembly)</i>
8	720142	1	NUT, HEX FLANGE, 3/8-16 NC	
9	725179	3	BLADE ADAPTER	
10	721334	3	BLADE 50/52 (17.66")	
11	722600	6	WASHER - HARDENED 1.00D X .625ID X .188	
12	722382	3	NUT, BLADE, 9/16-18 ZINC PLATE YELLOW CHROMATE	
13	720192	1	BOLT, HEX, 3/8-16 UNC X 1.50 BRIGHT ZINC	
14	7090122	1	WASHER, 3/8" Flat SAE	
15	721385	1	PULLEY BACKSIDE IDLER	
16	7300924D	1	ARM - IDLER	<i>ref. 725117 & 7300922)</i>
17	720148	1	NUT FLANGE, 3/8-16 ZINC PLATED	
18	720139	2	HEX NUT, 5/16-18 FLANGE SER YZ	
19	720049	2	BOLT CARRIAGE, 5/16-18 X .62	
20	7300923	1	BRACKET - BRAKE MOUNTING	<i>ref. 726514</i>
21	720091	1	SHOULDER BOLT, 0.75 X 0.60 X 3/8-16	
22	726842	1	BELT SECONDARY 52.75" HA	
23	1734048	1	V-BELT A WEDGE 103.10" HA	<i>ref. 726855 -52</i>
24	726069	4	S.S. PULLEY 46"	
25	726507	3	NUT PULLEY	
26	721313	1	COVER, LEFT PULLEY	
27	722871	3	SCREW	
28	722859	2	SCREW THREAD FORMING	
29	721315	1	COVER, RIGHT PULLEY	
30	720045	15	HHST, 3/8-16X1.25	
31	728320	1	BRACKET, COVER	
32	722438	1	SPRING, EXTENSION	
33	7400265	1	ASSEMB-IDLER ARM 50"	<i>(was 721338)</i>
34	725167	1	SPACER 1/2" TO 17MM	
35	725225	1	PULLEY IDLER	
36	721081	1	ROD BELT GUIDE	
37	725149	1	BRACKET, PULLEY COVER	

Footnotes:

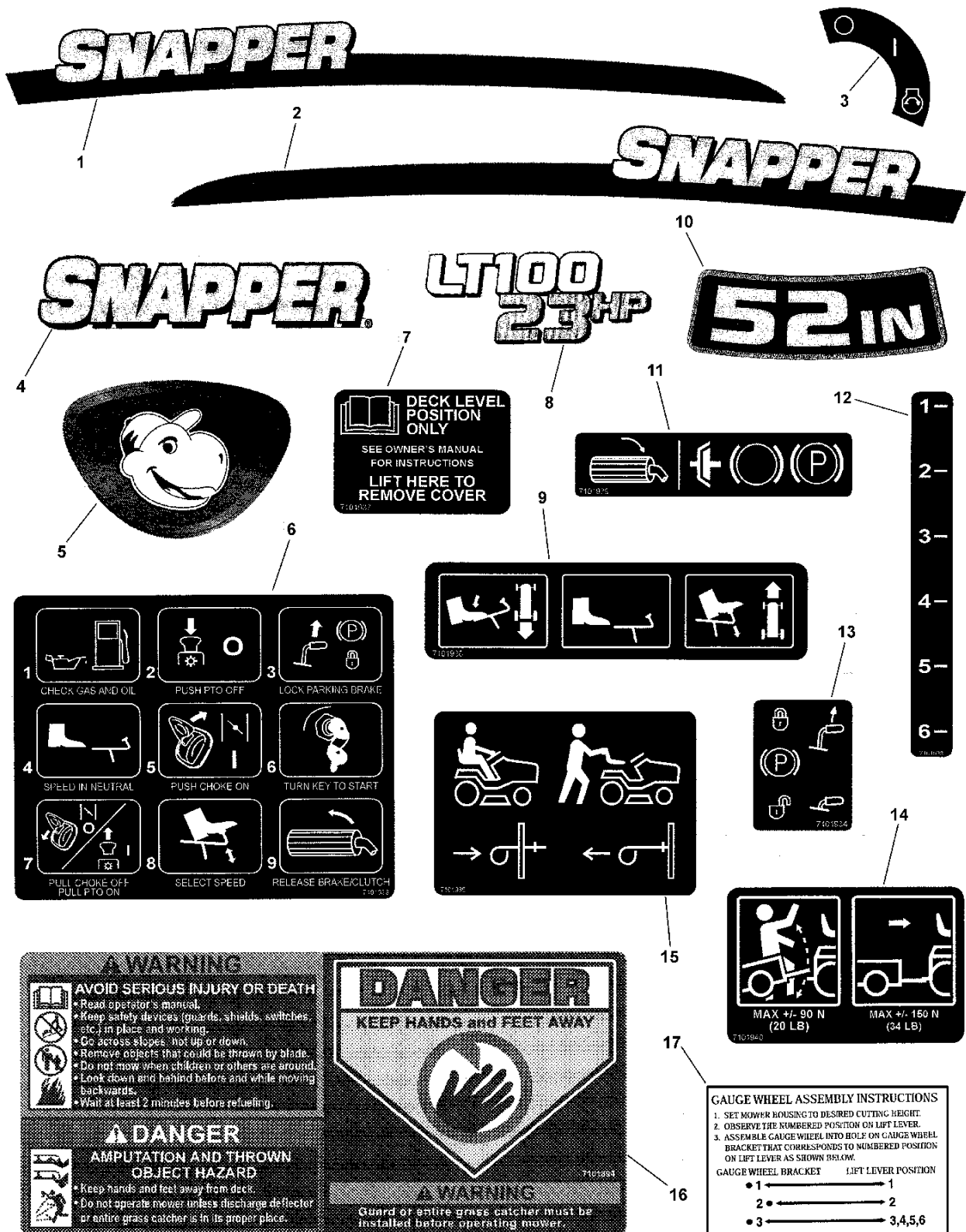
52" Deck Housing Suspension Assembly



52" Deck Housing Suspension Assembly

Item	Part No	Qty	Description	Note
	7500606	1	ASSY, BLADE DRIVE 50/52"	
1	721380	2	WINGNUT	
2	720161	2	WASHER FLAT, 1.0 X .328 X 16GA	
3	721402	2	PIN - HANGER 3/8-16 X 1.25	
4	7300921D	2	LINK, LIFT	
5	720142	8	NUT, HEX FLANGE, 3/8-16 NC	
6	720098	2	SHOULDER BOLT, 3/8-16 X .600OD X.95L	
7	7300826D	2	BRACKET, REAR SUSPENSION	
8	721197	4	BOLT AXLE, 3/8-16 X 3.0	
9	721118	4	WHEEL GAGE	
10	722579	6	WASHER - FLAT, 1.0"OD X 0.550"	
11	720392	4	CLIP - HAIR PIN	
12	720360	2	CAP, PUSH ON	
13	721017	1	ROD, DEFLECTOR	
14	720982	1	DEFLECTOR, CHUTE	
15	721453	1	ROLLER	
16	722858	4	CAPSCREW 5/16-18	
17	7300767D	1	BRACKET, SUSPENSION FRONT	
18	720390	1	COTTER PIN	
19	721376	2	ROD, DECK SUSPENSION	
20	720069	2	HAIR PIN, .56D-.092T	
21	721263	1	ROD, HANGER	
22	7300871D	1	STIFFENER	
23	720185	4	WASHER	

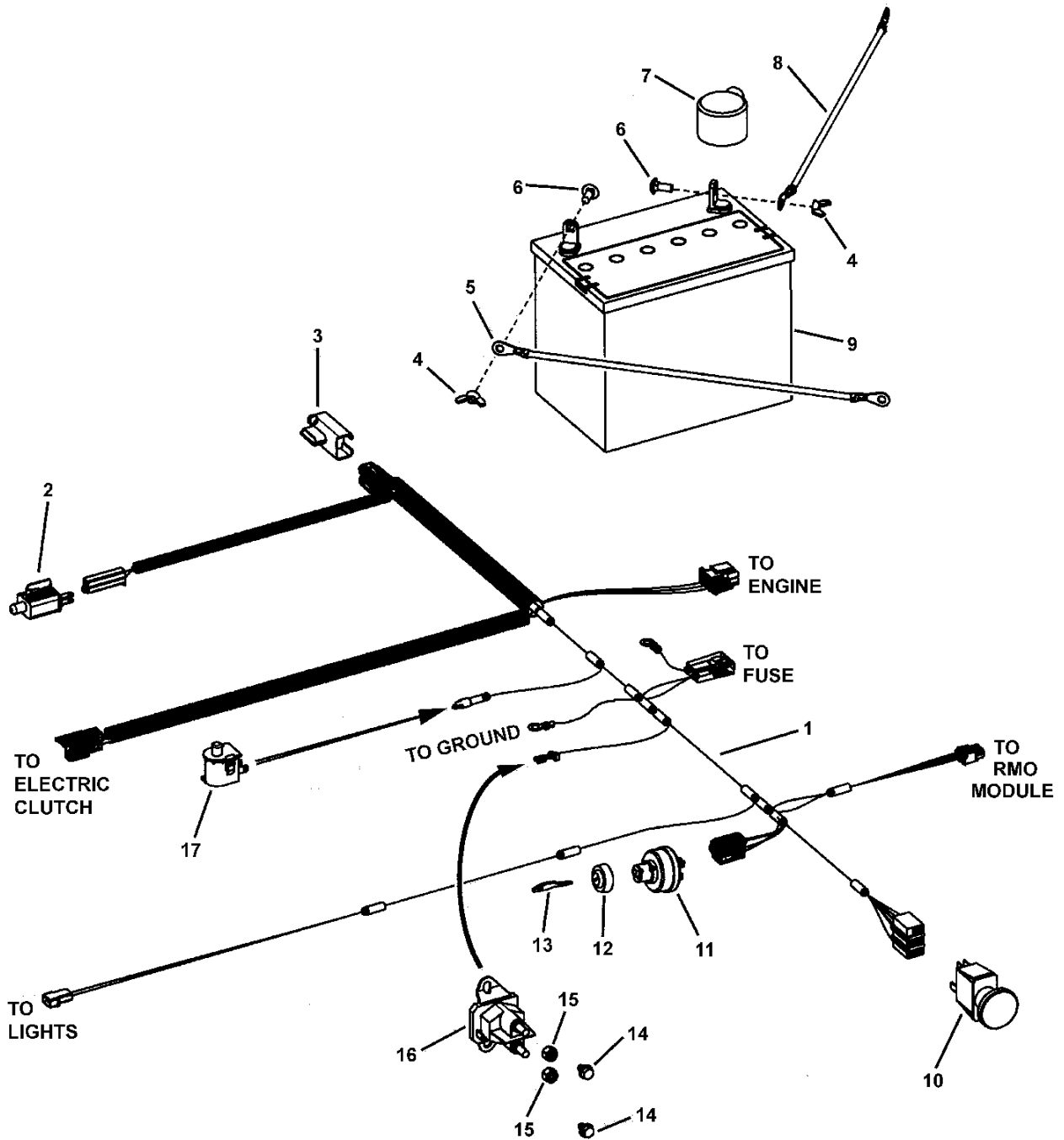
Footnotes:



Decals

Item	Part No	Qty	Description	Note
1	7102191	1	DECAL, Snapper Name Plate, RH	
2	7102192	1	DECAL, Snapper Name Plate, LH	
3	7101965	1	DECAL, Ignition	
4	7102196	1	DECAL, Snapper Logo, Rear	
5	7102211	1	DECAL, Snapper Logo, Steering Wheel	
6	7101933	1	DECAL, Operation	
7	7101937	1	DECAL, Deck Level	
8	7102197	1	DECAL, 19.5 hp (not shown)	
8	7102198	1	DECAL, 23 hp	
8	7102199	1	DECAL, 24 hp (not shown)	
9	7101936	1	DECAL, Drive Pedal	
10	7102193	1	DECAL, 46" Deck (not shown)	
10	7102194	1	DECAL, 42" Deck (not shown)	
10	7102195	1	DECAL, 52" Deck	
11	7101939	1	DECAL, Belt/Clutch	
12	7101938	1	DECAL, Height of Cut	
13	7101934	1	DECAL, Park Brake	
14	7101940	1	DECAL, Weight Limitation	
15	7101935	1	DECAL, Roll Release	
16	7101394	1	DECAL, Warning, Rear Discharge Door	
17	724017	1	DECAL, Gage Wheel Instruction	
	7101663	1	DECAL-Umber (not shown)	
	7101664	1	DECAL-No Step (not shown)	
	7101665	1	DECAL, Danger Do Not Operate w/o Deflector (not shown)	
	7102210	1	DECAL, Height of Cut Snapper (not shown)	
	724023	1	DECAL, Deck Level (not shown)	
	724026	1	DECAL, Gage Wheel Leveling (not shown)	

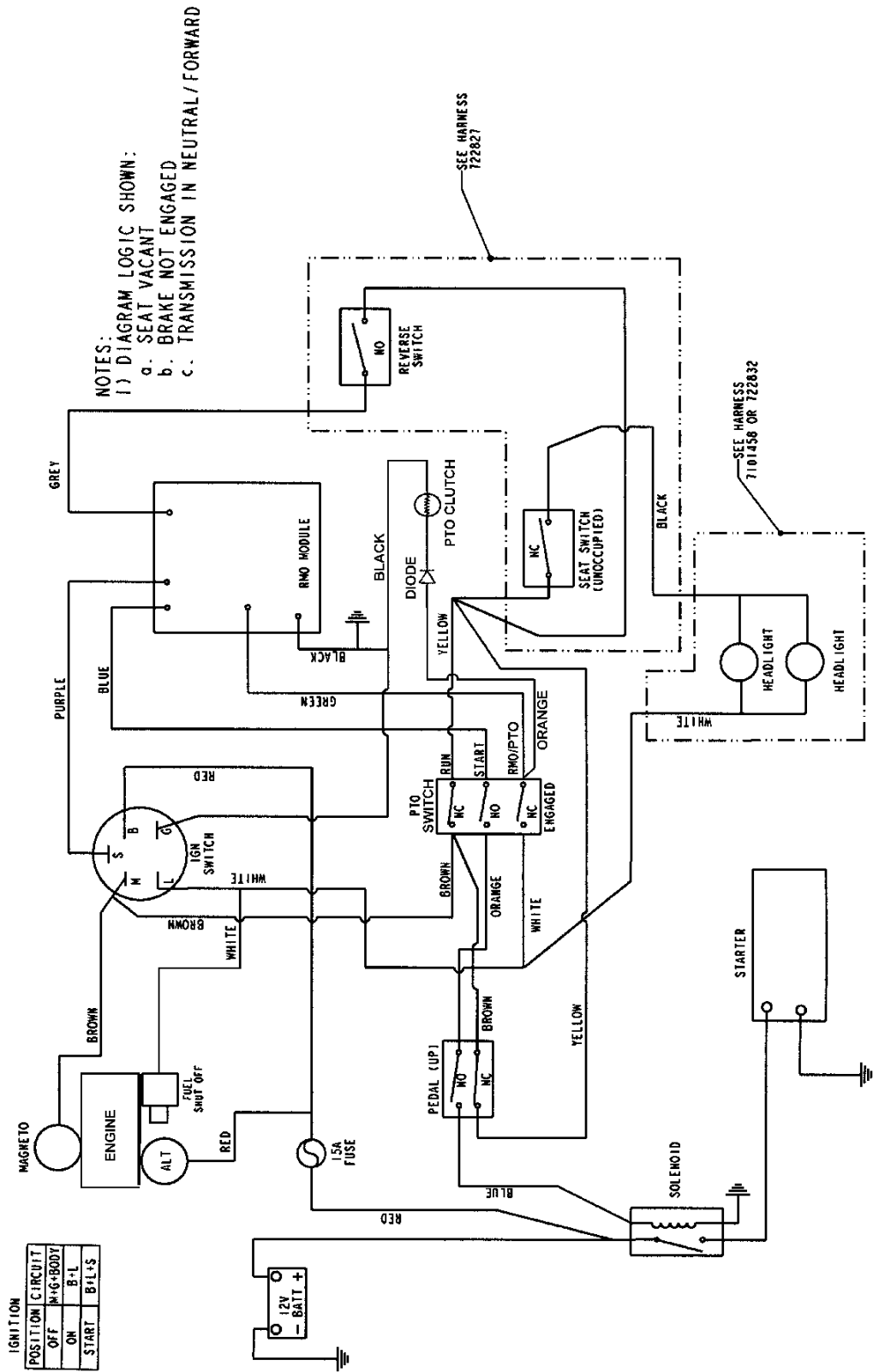
Footnotes:



Electrical Group

Item	Part No	Qty	Description	Note
1	7101446	1	HARNES, WIRING, HYDRO TCT, ELEC PTO	
2	721516	1	SWITCH, LIMIT, NO, SNAP-IN	
3	721249	1	SWITCH, LIMIT, NO/NC, SNAP-IN	
4	720123	2	WINGNUT, 1/4-20 NC-2 TAP	
5	720349	1	CABLE, BAT 8GA 12.00L - BLACK	
6	720057	2	CARRIAGE BOLT, 0.63L X 1/4-20 2A	
7	720588	1	BOOT, BATTERY POSITIVE	
8	720348	1	CABLE, BAT 8GA 18.00L - RED	
9	7060618	1	BATTERY, 12 VOLT, 230 CCA	<i>replaces 7100449</i>
10	1722887	1	SWITCH, PTO, YELLOW, VERTICAL SYMBOLS	
11	7026343	1	SWITCH, IGNITION-AFTERFIRE SOLENOID	
12	727338	1	CAP, IGNITION SWITCH	
13	721461	1	KEY, IGNITION	
14	722851	3	SCREW, 1/4-14X.38"ST	
15	722393	2	NUT, HEX LOCK 1/4-20 BZ	
16	721615	1	SOLENOID, 3 POLE	
17	7023354	1	SWITCH, SEAT	
	1726556	1	SWITCH, REV MOW OPTION MODULE ONLY W/KEY	<i>(not shown)</i>
	1726557	1	KEY (CHERRY)	<i>(not shown)</i>
	1727185	1	KEY W/ HANG TAG	<i>(not shown)</i>

Footnotes:



Wiring Schematic

Item	Part No	Qty	Description	Note
1		1	Wiring Schematic for Harness # 7101446	

Footnotes:

Parts Manual for

SNAPPER®

**HYDRO DRIVE ELECTRIC CLUTCH
LAWN TRACTOR
LT-100 SERIES**

IT IS THE POLICY OF BRIGGS & STRATTON CORP TO IMPROVE ITS PRODUCTS WHENEVER IT IS POSSIBLE AND PRACTICAL TO DO SO. WE RESERVE THE RIGHT TO MAKE CHANGES OR ADD IMPROVEMENTS AT ANY TIME WITHOUT INCURRING ANY OBLIGATION TO MAKE SUCH CHANGES ON PRODUCTS

SNAPPER® McDonough, GA, 30253 U.S.A.