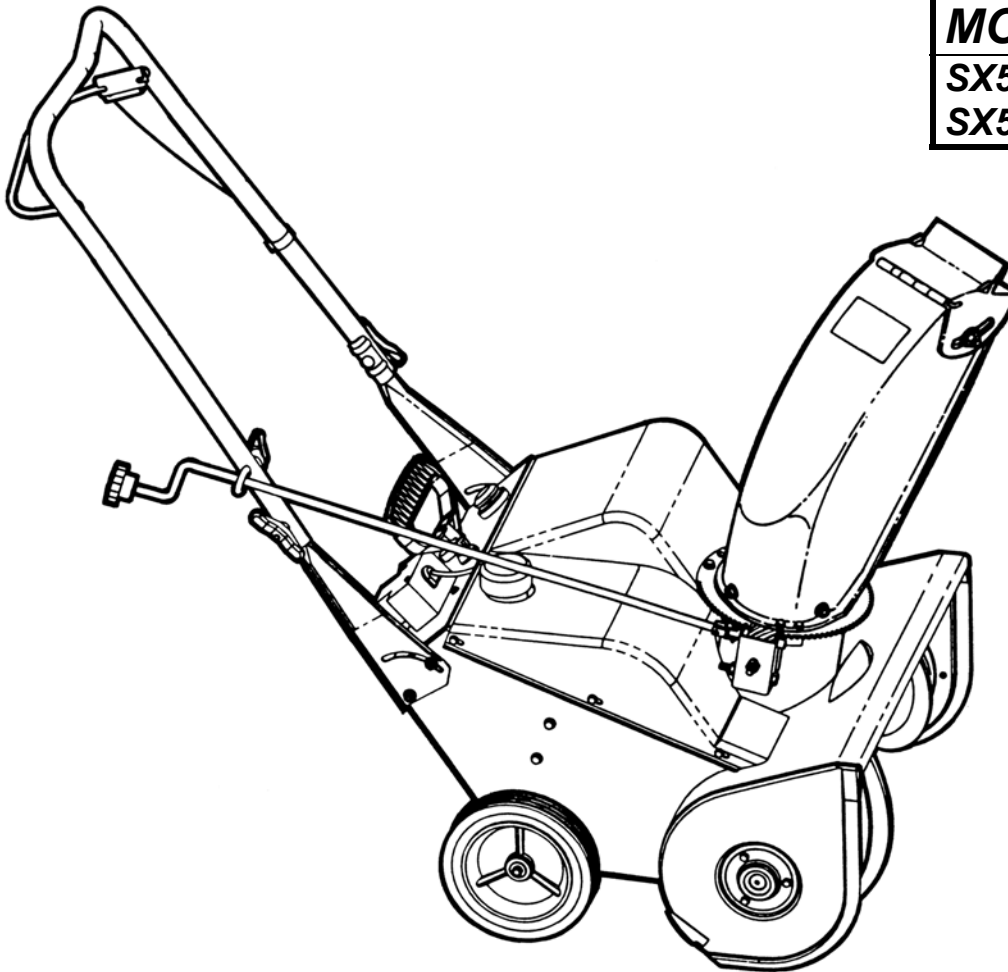


Parts Manual for
SNAPPER[®]
SINGLE STAGE
SNOW THROWER
SERIES 0

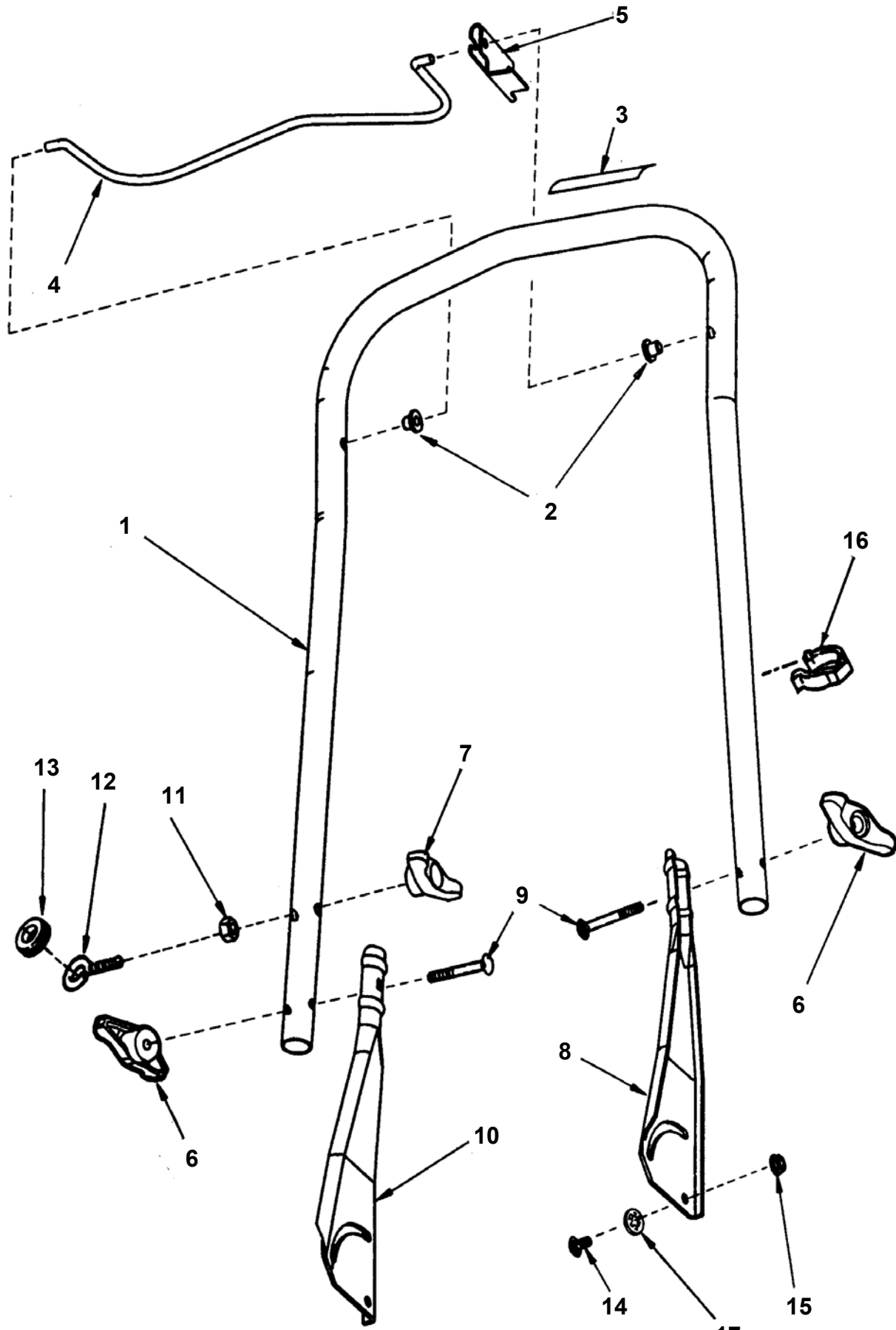
MODELS
SX5200R
SX5200E



IT IS THE POLICY OF SNAPPER TO IMPROVE ITS PRODUCTS WHENEVER IT IS POSSIBLE AND PRACTICAL TO DO SO. WE RESERVE THE RIGHT TO MAKE CHANGES OR ADD IMPROVEMENTS AT ANY TIME WITHOUT INCURRING ANY OBLIGATION TO MAKE SUCH CHANGES ON PRODUCTS MANUFACTURED PREVIOUSLY.

SNAPPER[®] McDonough, GA., 30253 U.S.A.

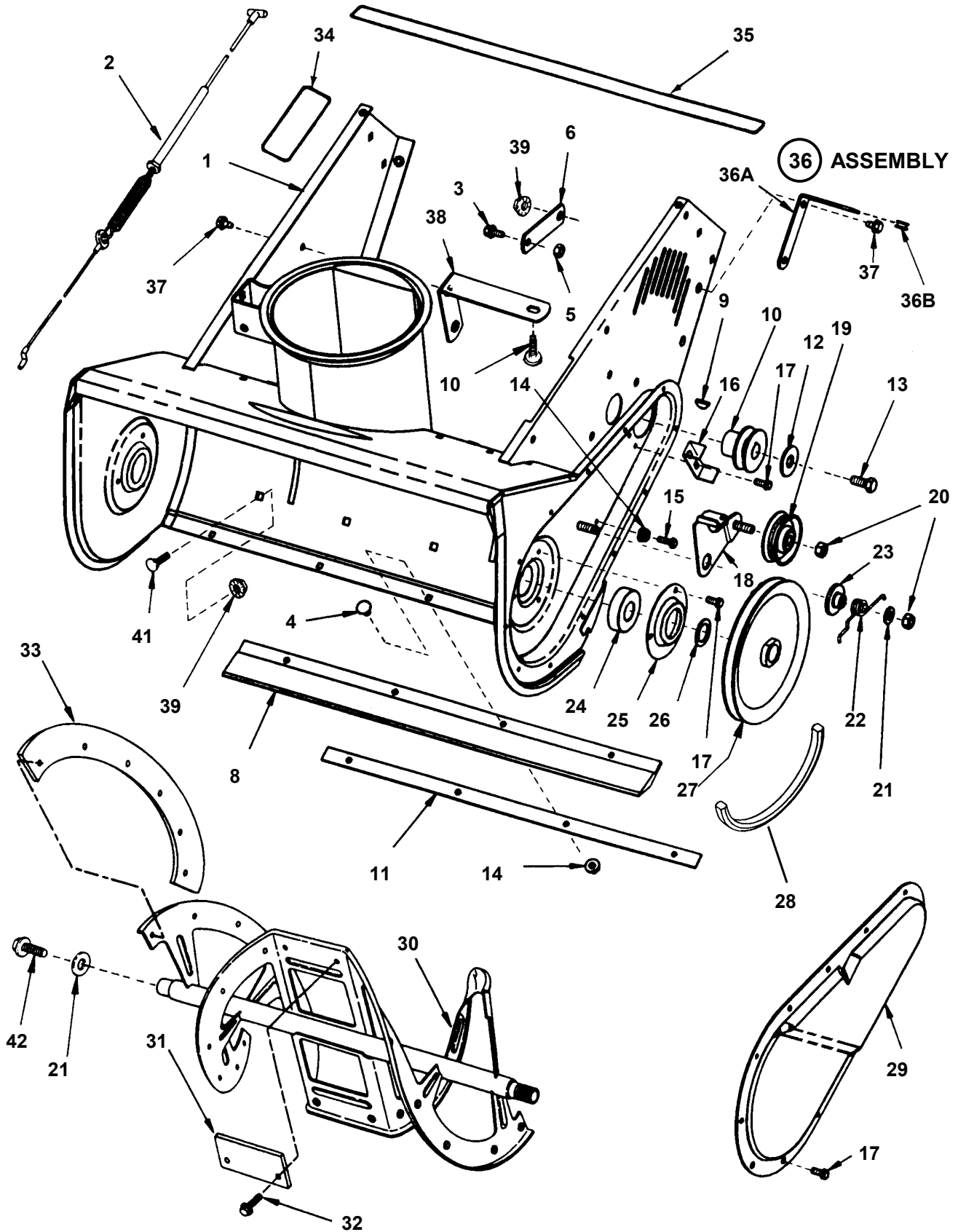
HANDLES, BLADE CONTROL



HANDLES, BLADE CONTROL

ITEM	PART NO.	DESCRIPTION
1	4-1946	HANDLE, Upper
2	1-4343	BUSHING, Auger Control (2)
3	2-8309	DECAL, Auger Control Instruction
4	1-7072	CONTROL, Auger
5	3-3904	CLIP, Auger Control
6	4-6363	KNOB, 1/4-20 Wing (Black) (2)
7	3-5744	KNOB, 5/16-18 Wing
8	4-2723	BRACKET, Lower Handle (Left Side)
9	9-1083	BOLT, 1/4-20 x 2" Square Neck Carriage, Grade 5 (2)
10	4-2724	BRACKET, Lower Handle (Right Side)
11	9-1070	NUT, 5/16-18 Hex Flange Lock, Grade 5
12	1-7623	EYE-BOLT, 5/16-18
13	1-7622	GROMMET, Chute Crank
14	9-1064	BOLT, 1/4-20 x 1/2" Short Neck Carriage, Grade 5 (4)
15	9-1065	NUT, 1/4-20 Hex Flange Lock (4)
16	2-3813	CLIP, Wiring Harness
17	1-2485	RETAINER, 1/4" Bolt (4)

COLLECTOR HOUSING, BELTS, PULLEYS, AUGER



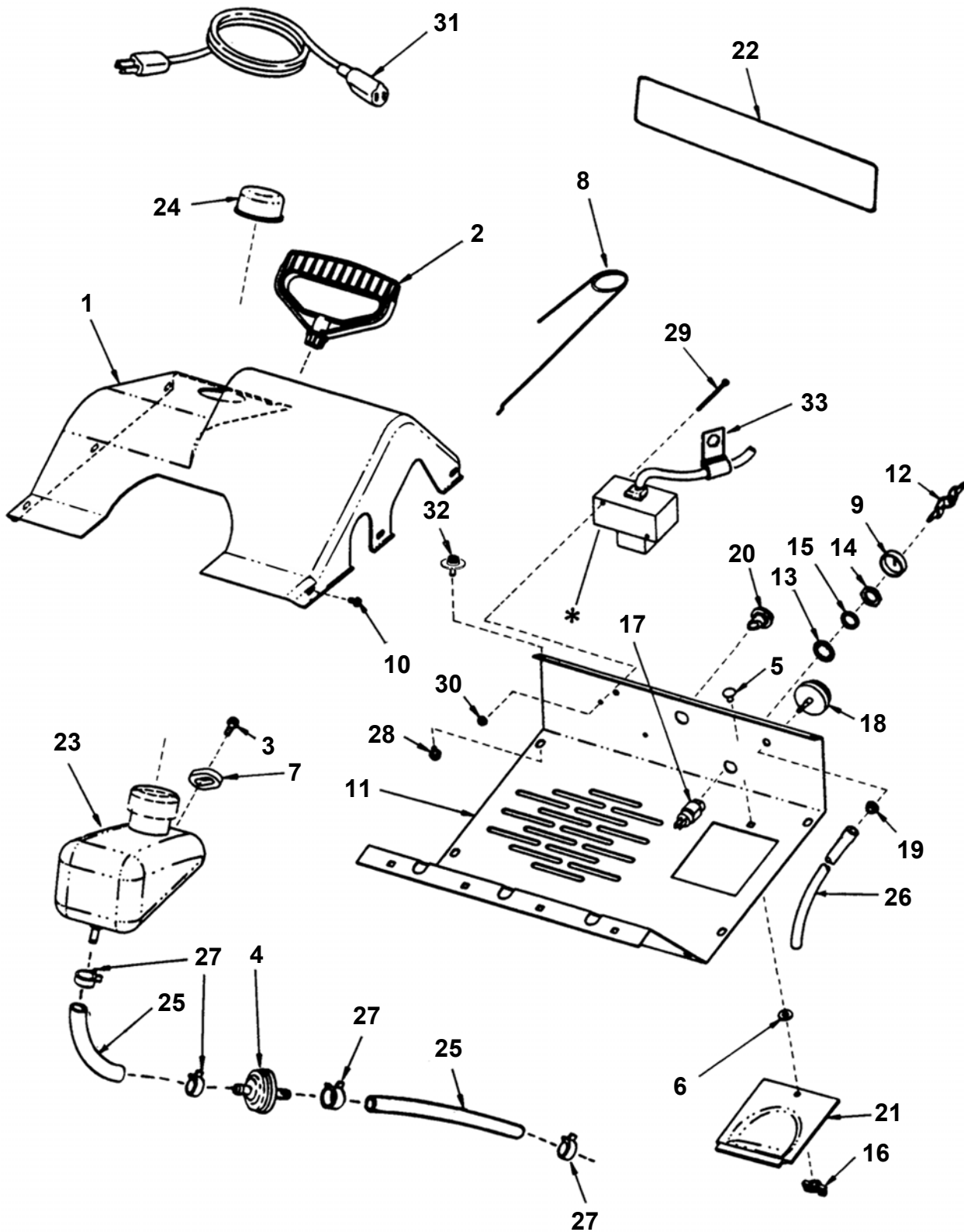
COLLECTOR HOUSING, BELTS, PULLEYS, AUGER

ITEM	PART NO.	DESCRIPTION
1	4-1850	WELDMENT, Blower Housing
2	1-8796	CABLE, Clutch
3	9-0584	BOLT, 1/4-20 x 1/2" Hex Flange Lock (2)
4	9-1283	BOLT, #10-24 x 5/8" Flat Head Carriage (4)
5	9-0372	NUT, 1/4-20 Hex Center Lock
6	4-1952	STRAP, Engine
7	9-0187	WASHER, 5/16 Split Lock (no longer used with item 13)
8	2-8427	SCRAPER, Blade
9	1-0008	KEY, #6 x 5/8" Woodruff
10	2-8363	PULLEY, Engine
11	2-8312	BLADE, Wear Indicator
12	1-4098	WASHER, .343 I.D. x 1" O.D. Flat
13	7-2621	SCREW, 5/16-24 x 3/4" Hex Head Cap w/patch lock, Grade 5
*	6-1382	KIT, Engine Pulley (Includes items 10, 12, 13 & 1 item 7)
14	9-1079	NUT, #10-24 Hex Flange Lock (5)
15	9-1075	SCREW, #10-24 x 5/8" Self-Tap
16	3-2345	GUIDE, Belt
17	9-0981	SCREW, #10-32 x 1/4" Slotted Hex Washer Head, Self-Tap (20)
18	5-1506	ASSEMBLY, Idler Arm
19	1-4722	PULLEY, Idler Arm
20	9-1067	NUT, 5/16-18 Hex Center Lock (2)
21	9-1076	WASHER, 5/16 Flat (2)
22	1-4920	SPRING, Idler Brake
23	1-4919	SPACER, Bearing
24	1-4608	BEARING, Auger (2)
25	4-2722	RETAINER, Bearing (2)
26	1-0935	WASHER, 3/4" Flat
27	1-8635	PULLEY
28	4-1947	BELT, Auger 32.89
29	1-9753	COVER, Belt
--	5-2309	ASSEMBLY, Auger (Includes items 30 thru 33)
30	4-7027	AUGER Structure 20"
31	1-4612	SHOE, Flight, Center (2)
32	9-1286	SCREW, #10-24 x 1/2" Hex Washer Self-Tap (Sems) (28)
33	2-9565	SHOE, Flite (4)
**	6-0631	KIT, Flite Shoe (Includes 2 item 31 & 4 item 33)
34	4-1958	DECAL, Model (Recoil)
--	4-6308	DECAL, Model (Electric Start)
35	4-6307	DECAL, Model, Auger Housing (Recoil)
--	4-6309	DECAL, Model, Auger Housing (Electric Start)
36	5-1560	ASSEMBLY, Bracket/Bushing (Includes 36A & 36B)
36A	3-2459	BRACKET, Cable Guide
36B	1-5146	BUSHING, Nylon
37	9-1084	SCREW, 1/4-20 x 3/8" Hex Washer Self-Tap (4)
38	4-1953	BRACKET, Fuel Tank
39	9-1070	NUT, 1/4-20 Hex Flange Lock, Grade 5
40	9-1246	SCREW, 1/4-20 x 3/4" Pan Head Self-Tap (Torx)
41	9-1064	BOLT, 1/4-20 x 1/2" Short Neck Carriage, Grade 5 (4)
42	9-0361	SCREW, 5/16-18 x 5/8" Hex Washer Self-Tap

***NOTE: Order Complete Assembly by Kit Number.**

****NOTE: Order items 31 & 33 by Kit Number.**

CONTROL PANEL, FUEL TANK

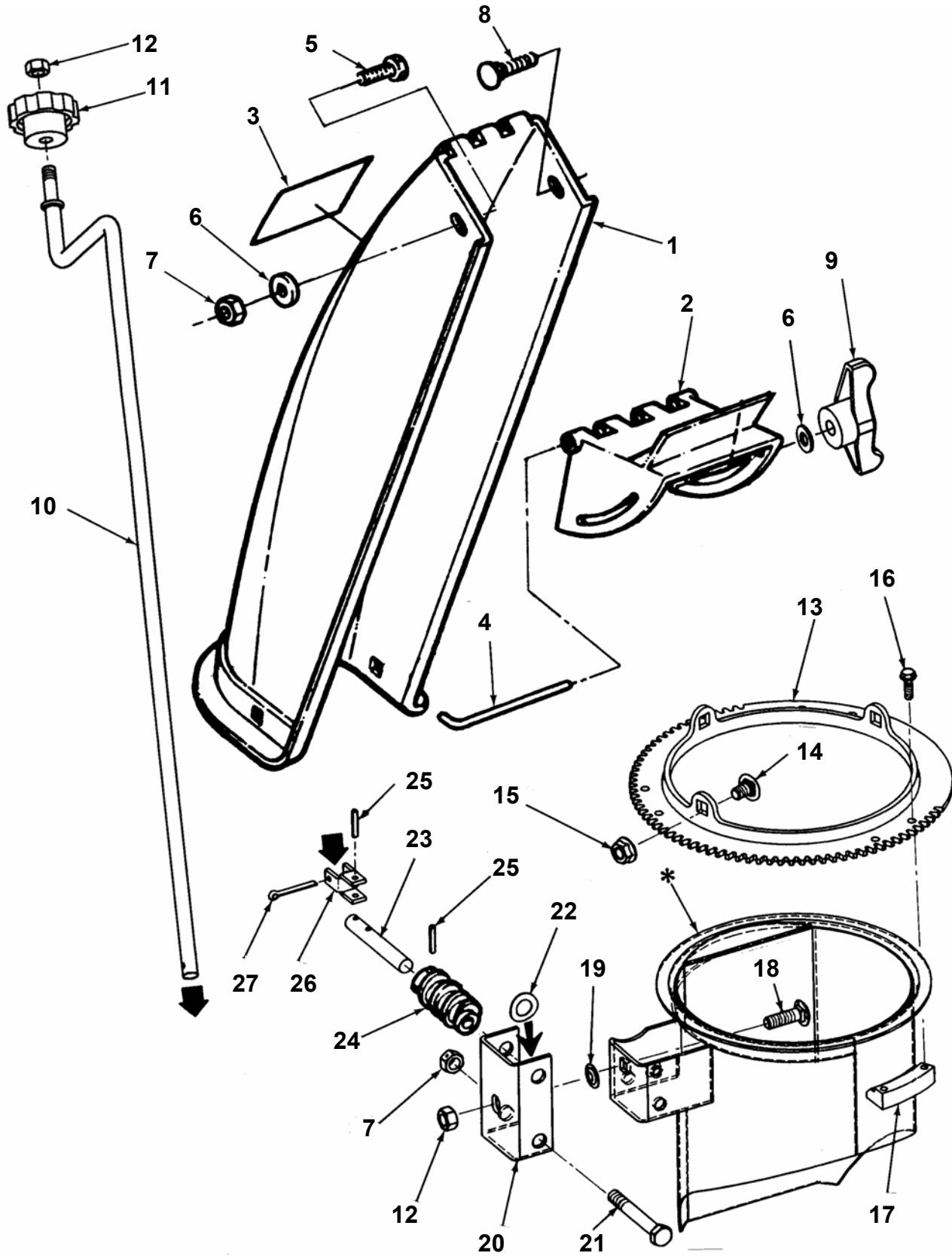


* ELECTRIC STARTER

CONTROL PANEL, FUEL TANK

ITEM	PART NO.	DESCRIPTION
1	4-1955	COVER, Top
2	4-1954	HANDLE, Rope Starter (Mitten) (Tecumseh # 178-223)
3	9-1246	SCREW, 1/4-20 x 3/4" Pan Head Self-Tap (Torx)
4	1-4359	FILTER, Fuel (In-Line)
5	9-1530	BOLT, 1/4-20 x 3/4" Short Neck Carriage, Grade 5
6	1-2485	RETAINER, 1/4" Bolt
7	2-7910	ISOLATOR, Fuel Tank/Cover
8	1-4918	CONTROL, Choke
--	4-6473	CONTROL, Choke SX5200
9	2-3506	BEZEL
10	9-1286	SCREW, #10-24 x 1/2" Hex Washer Self-Tap (Sems) (6)
11	4-1852	PANEL, Bottom
12	1-1138	KEY, Ignition
13	9-0880	WASHER, 5/8" Internal Tooth Lock
14	1-2685	NUT, 5/8-32 Hex (Special)
15	1-6132	SPACER
16	2-9161	NUT, 1/4-20 Wing (Black Nylon)
17	1-7817	SWITCH, Ignition (Includes items 13 & 14)
18	1-4638	PRIMER, Fuel
19	9-1065	NUT, 1/4-20 Hex Flange Lock
20	1-4924	GUIDE, Rope
21	4-1956	COVER, Carburetor
22	4-1959	DECAL, Control Panel
23	2-4603	TANK, Fuel (Includes Cap, Item 24)
24	2-4495	CAP, Fuel Tank
25	7-6272	LINE, Fuel (2)
26	1-4639	HOSE, Primer
27	2-9900	CLAMP, Fuel Line (4)
28	9-1084	SCREW, 1/4-20 x 3/8" Hex Washer Self-Tap (6)
29	9-1572	SCREW, #6-32 x 2-1/2" Hex Head Cap (2) (Electric Start only)
30	9-1570	NUT, #6-32 Hex (Keys) (2) (Electric Start only)
31	2-9747	CORD, Extension (10 Ft.) (Electric Start only) (Tecumseh # 1A174-17 or 32450B)
32	9-1286	SCREW, #10-24 x 1/2" Hex Washer Self-Tap (Sems) (2)
33	1-2652	WIRE CLAMP, Vinyl Covered

DISCHARGE CHUTE ASSEMBLY

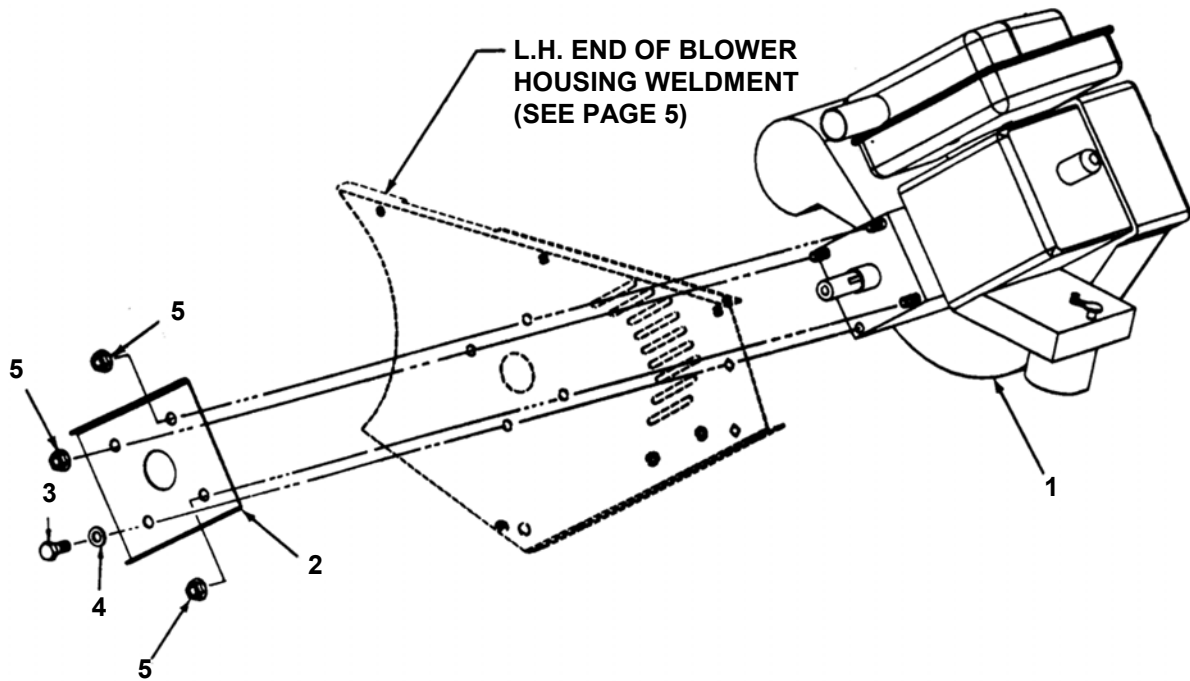


* BLOWER THROAT
(PART OF BLOWER HOUSING
WELDMENT SHOWN ON PAGE 4

DISCHARGE CHUTE ASSEMBLY

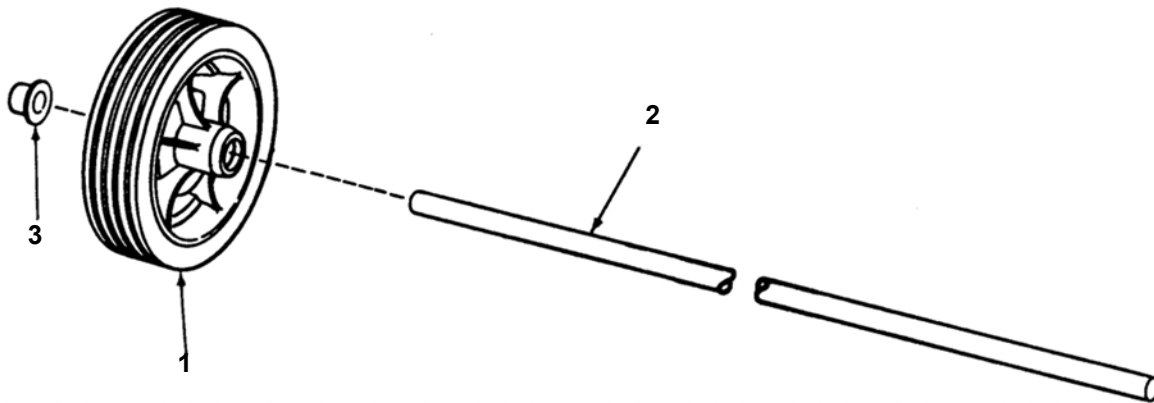
ITEM	PART NO.	DESCRIPTION
1	2-8217	CHUTE, Discharge
2	2-8184	DEFLECTOR, Chute
3	2-4773	DECAL, Hand danger
4	2-8253	PIN, Wire
5	9-1021	SCREW, 5/16-24 x 3/4" Hex Head Cap, Grade 5
6	9-1076	WASHER, 5/16 Flat (2)
7	9-0222	NUT, 5/16-24 Hex Center Lock (2)
8	9-1097	BOLT, 5/16-18 x 3/4" Square Neck Carriage, Grade 5
9	3-5744	KNOB, 5/16-18 Wing (Black)
10	4-1949	CRANK, Chute
11	1-3901	KNOB, Fluted
12	9-1067	NUT, 5/16-18 Hex Center Lock, Grade B (2)
13	4-1957	CHUTE RING, 6" Right Side
14	9-1077	BOLT, 5/16-18 x 5/8" Square Neck Carriage, Grade 5 (3)
15	9-1070	NUT, 5/16-18 Hex Flange Lock, Grade 5 (3)
16	9-1075	SCREW, #10-24 x 5/8" Hex Washer Self-Tap (6)
17	1-1938	RETAINER, Spout (3)
18	9-1303	BOLT, 5/16-18 x 1" Short Neck Carriage, Grade 5
19	1-1791	RETAINER, 5/16 Bolt
20	3-7963	BRACKET, Worm
21	9-0246	SCREW, 5/16-24 x 2-1/2" Hex Head Cap, Grade 5
22	1-1724	WASHER, .44 I.D. x .78 O.D. Curved
23	2-1852	SHAFT, Worm
24	2-1828	WORM
25	1-4001	ROLL PIN, 1/8 x 3/4" (2)
26	3-2126	CONNECTOR
27	9-0041	PIN, 1/8 x 1" Cotter

ENGINE

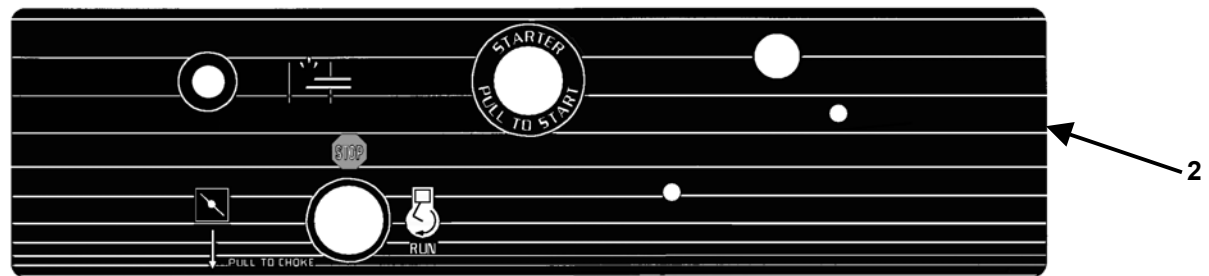
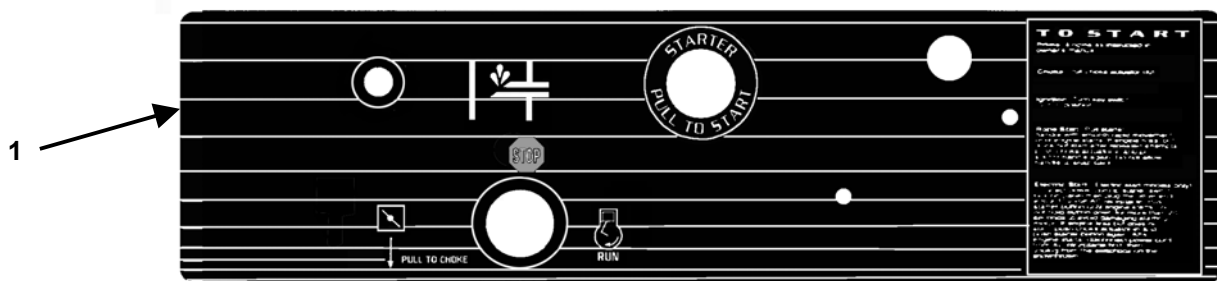


ITEM	PART NO.	DESCRIPTION
1	-----	ENGINE, Tecumseh; Model HSK850-8318C, 5HP, 2-Cycle (Electric Start)
--	-----	ENGINE, Tecumseh; Model HSK850-8317C, 5HP, 2-Cycle (Recoil Start)
2	4-1951	PLATE, Stiffener
3	9-1021	SCREW, 5/16-24 x 3/4" Hex Head Cap, Grade 5
4	9-0187	WASHER, 5/16 Split Lock
5	9-1070	NUT, 5/16-18 Hex Flange Lock, Grade 5 (3)

AXLE, WHEELS

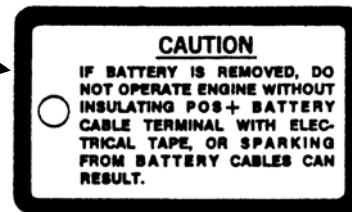
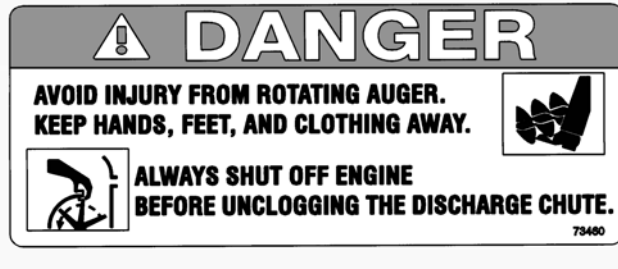


ITEM	PART NO.	DESCRIPTION
1	4-6384	WHEEL (2)
2	4-1950	AXLE
3	1-4667	NUT, 3/8" Push (2)



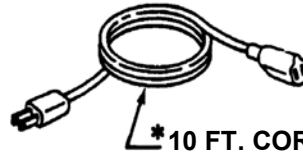
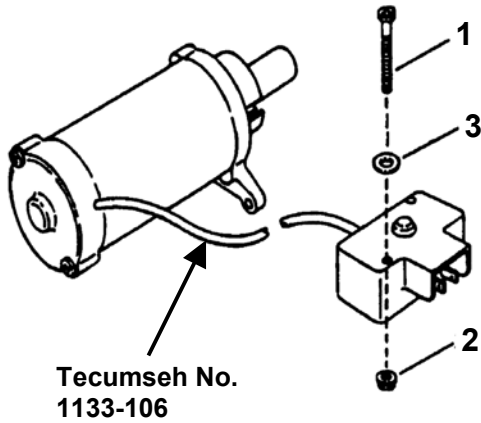
ITEM	PART NO.	DESCRIPTION
1	4-1959	DECAL, Control Panel
2	7-3464	DECAL, Control Panel Recoil/ES
3	4-6307	DECAL, Model, Auger Housing (Recoil)
4	4-6309	DECAL, Model, Auger Housing (Electric Start)
5	4-6308	DECAL, Model (Electric Start)
6	4-1958	DECAL, Model (Recoil)
7	4-6277	DECAL, Tecumseh 5HP CARB/EPA Certified

DECALS
(Continued)



ITEM	PART NO.	DESCRIPTION
8	2-7448	DECAL, Chute Danger
9	7-3461	DECAL, Warning Safety Instructions
10	7-3460	DECAL, Danger Chute
11	2-4773	DECAL, Hand Danger
12	7-3342	DECAL, OPEI, Snow
13	2-8309	DECAL, OPC
14	7-3844	DECAL, Fuel Safety
15	7-4548	DECAL, 2002 Year of Manufacture (not shown)
16	1-6134	DECAL, Caution Tag
17	7-2630	DECAL, Carb/EPA Certified (Tecumseh)

ELECTRIC START



*10 FT. CORD INCLUDED WITH STARTER KIT)Tecumseh Part Numbers 1A174-17 or 32450-B Snapper P/N 2-9747

***Parts Available Only from Engine Manufacturer.**

ITEM	PART NO.	DESCRIPTION
--	--	KIT, Electric Start (Tecumseh # 590670, refer to Tecumseh Engineering # 179-146)
1	9-0866	SCREW, #10-24 x 1-3/4" Pan Head Phillips (2)
2	9-0623	NUT, #10-24 Hex Flange Lock (2)
3	9-1702	WASHER, #10 Flat (2)

Parts Manual for

SNAPPER®

**SINGLE STAGE
SNOW THROWER
SERIES 0**

MODELS
SX5200R
SX5200E

SNAPPER® McDonough, GA., 30253 U.S.A.

COPYRIGHT © 2002
SNAPPER INC.
ALL RIGHTS RESERVED

MANUAL No. 06016

(Rev. 4, 6/30/02)

Printed in U.S.A.