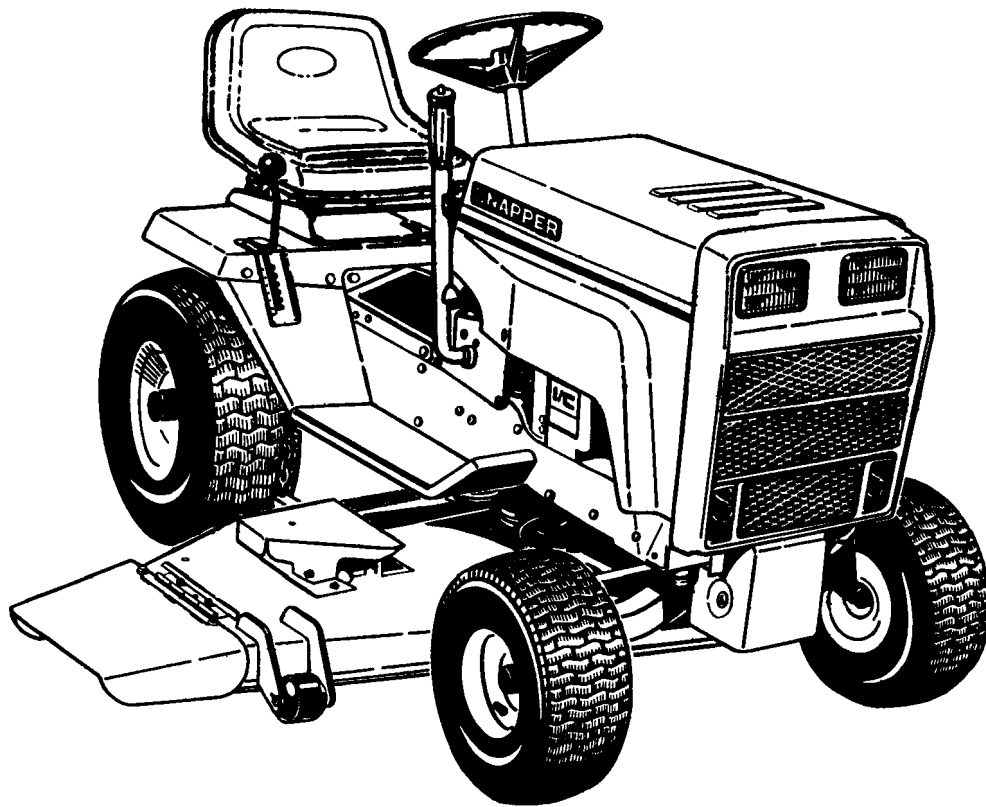


*Parts Manual for*  
**SNAPPER®**

**YT12D & YT16D SERIES 4  
YARD TRACTORS**



**& MOWER  
ATTACHMENTS**

**SNAPPER®** McDonough, GA., 30253 U.S.A.

COPYRIGHT © 1997  
SNAPPER INC.  
ALL RIGHTS RESERVED  
(8/99 ISSUE)

MANUAL No. 06516

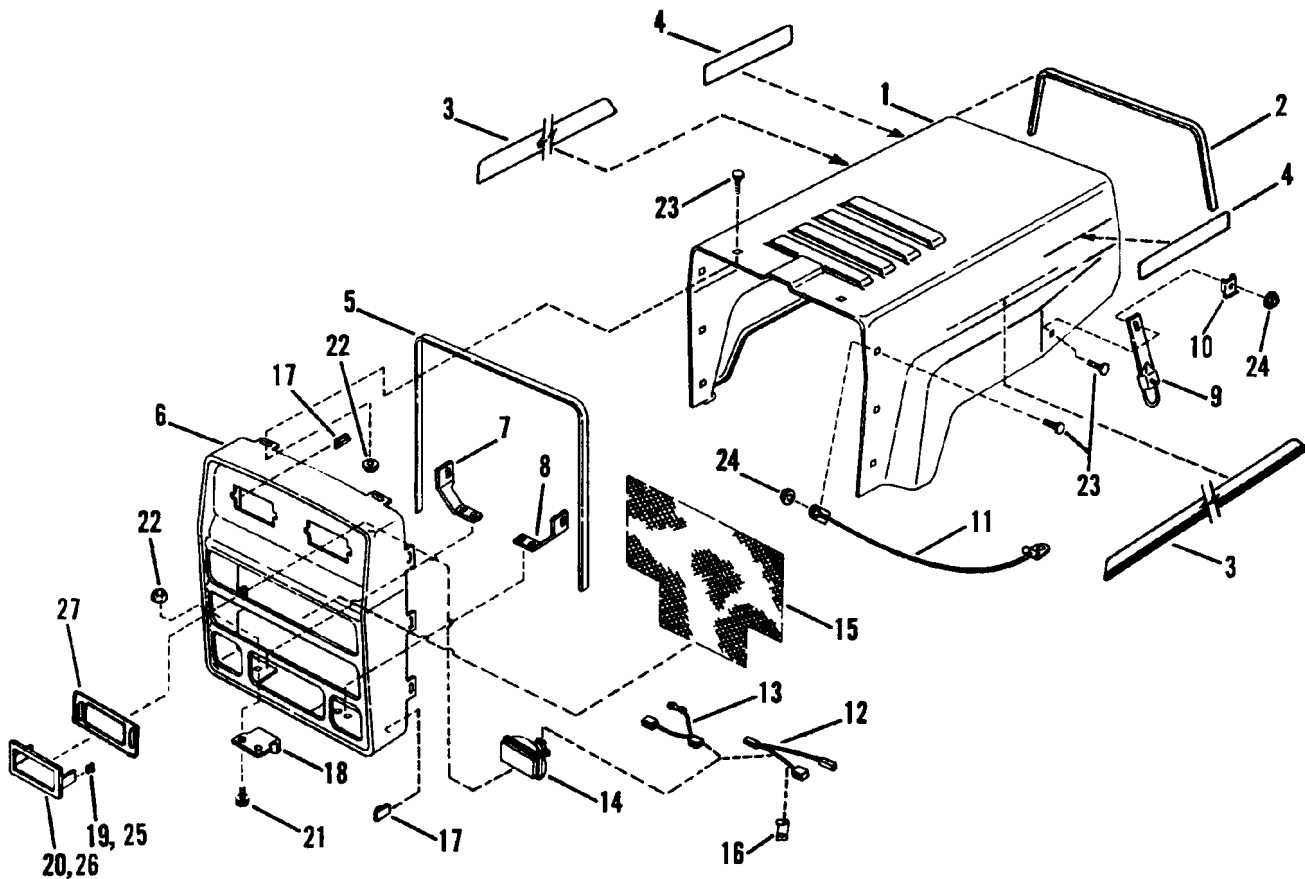
# CONTENTS

<b>PAGE</b>	<b>GROUP</b>
3.....	HOOD, GRILLE, HEADLIGHTS
4,5.....	FUEL TANK, PEDESTAL, DASH PANEL
6,7.....	DISC DRIVE, REAR AXLE COMPONENTS
8,9.....	FRAME, ENGINE, DRIVE PARTS
10,11.....	SEAT, STEP PANELS, REAR FENDER
12,13.....	CLUTCH, BRAKE, TRANSMISSION CONTROL
14,15.....	STEERING AND FRONT AXLE PARTS
16,17.....	TRANSMISSION ASSEMBLY PARTS
18.....	PRIMARY CHAIN CASE
19.....	REAR AXLE- DIFFERENTIAL/SHIFTER ASSEMBLY
20.....	ELECTRICAL SYSTEM
21.....	WHEELS- FRONT/WHEELS- REAR
22.....	IMPLEMENT LIFT PARTS
23.....	DECK HANGER DETAIL
24,25.....	33" CUTTER DECK, BELTS
26,27.....	41" CUTTING DECK
28,29.....	48" CUTTING DECK
30.....	MULE DRIVE ASSEMBLY/SPINDLE ASSEMBLY (41" & 48" OUTBOARD)
31.....	SPINDLE ASSEMBLY (48" CENTER)/ELECTRIC CLUTCH ASSEMBLY

**Refer to Parts Manual No. 06614 for Tractor Accessory Parts.**

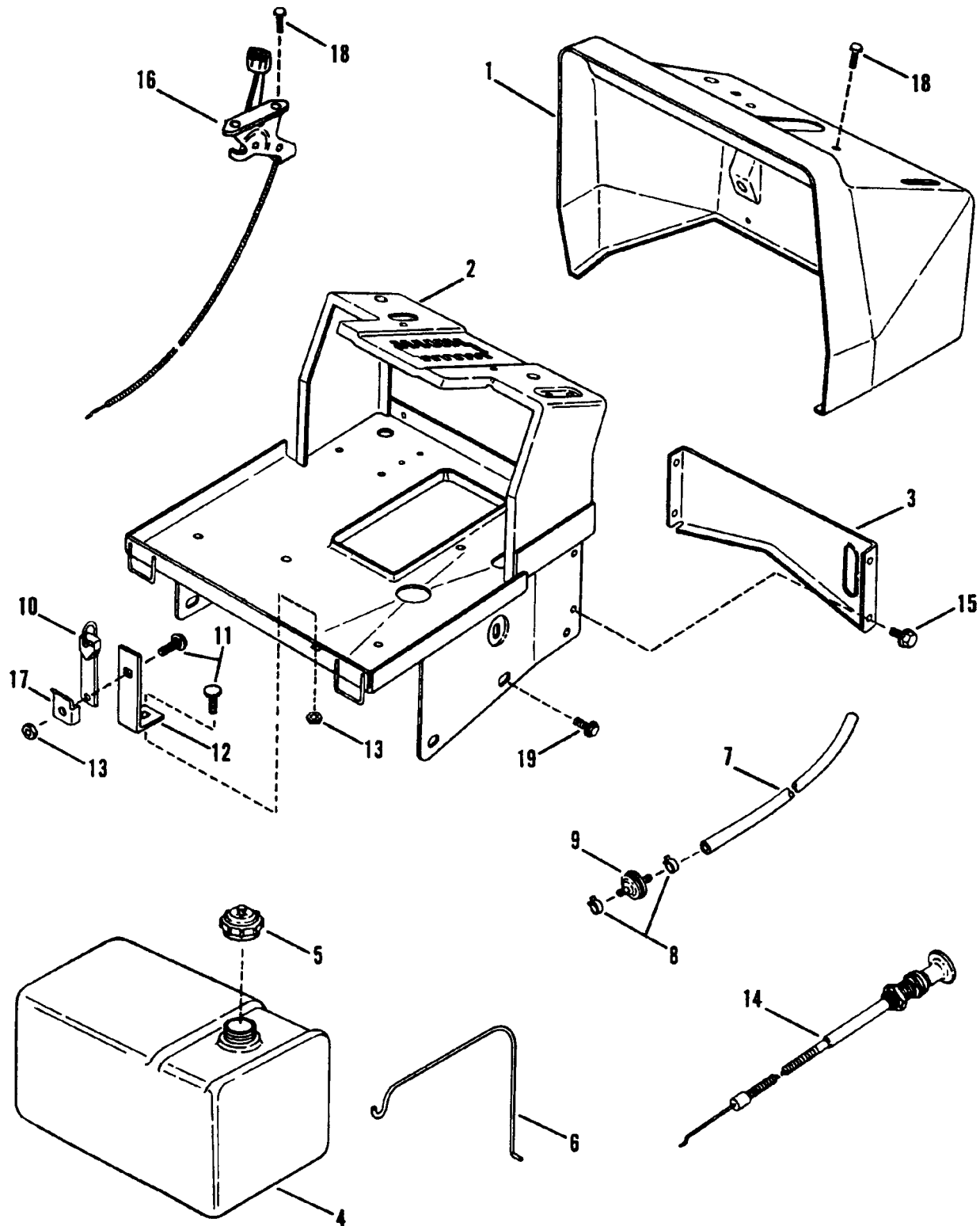
**IT IS THE POLICY OF SNAPPER TO IMPROVE ITS PRODUCTS WHENEVER IT IS POSSIBLE AND PRACTICAL TO DO SO. WE RESERVE THE RIGHT TO MAKE CHANGES OR ADD IMPROVEMENTS AT ANY TIME WITHOUT INCURRING ANY OBLIGATION TO MAKE SUCH CHANGES ON PRODUCTS MANUFACTURED PREVIOUSLY.**

# HOOD, GRILLE, HEADLAMPS



ITEM	PART NO.	DESCRIPTION	ITEM	PART NO.	DESCRIPTION
1	3-5047	HOOD, YT Series Tractor	15	3-6117	MESH, Grille
2	1-4814	TRIM, Hood	16	1-2652	CLIP, Wiring Harness (2)
3	2-3805	DECAL, Stripe	17	1-2691	CLIP (2)
4	19294	DECAL, Snapper	18	3-2398	HINGE, Hood (2)
5	1-4815	GASKET, Grille	19	1-5664	CLIP, Head Lamp Mounting (2)
6	3-5103	GRILLE	20	3-3211	BEZEL, Head Lamp Mount. (2)
7	3-8157	BRACE, Grille, R.H.	21	9-0596	BOLT, 1/4-20 x 5/8" Hex Flange Lock, Grade 5 (4)
8	3-8158	BRACE, Grille, L.H.	22	9-0583	NUT, 1/4-20 Hex Flange Lock (12)
9	1-8254	LATCH, Hood Retaining (2)	23	9-0803	BOLT, 1/4-20 x 5/8" Flat Head Carriage (10)
10	3-2444	CLIP, Hood Retainer (2)	24	9-0477	NUT, 1/4-20 Hex Fl. Top Lock (6)
11	1-2674	CABLE, Hood Stop (2)	25	1-7591	RETAINER, Wire
12	1-5486	HARNESS, Head Lamp Wiring	26	3-3211	BEZEL
13	1-5487	HARNESS, Head Lamp Ground Wiring	27	3-3032	REINFORCEMENT, Bezel
14	1-8829	HEAD LAMP (2)			

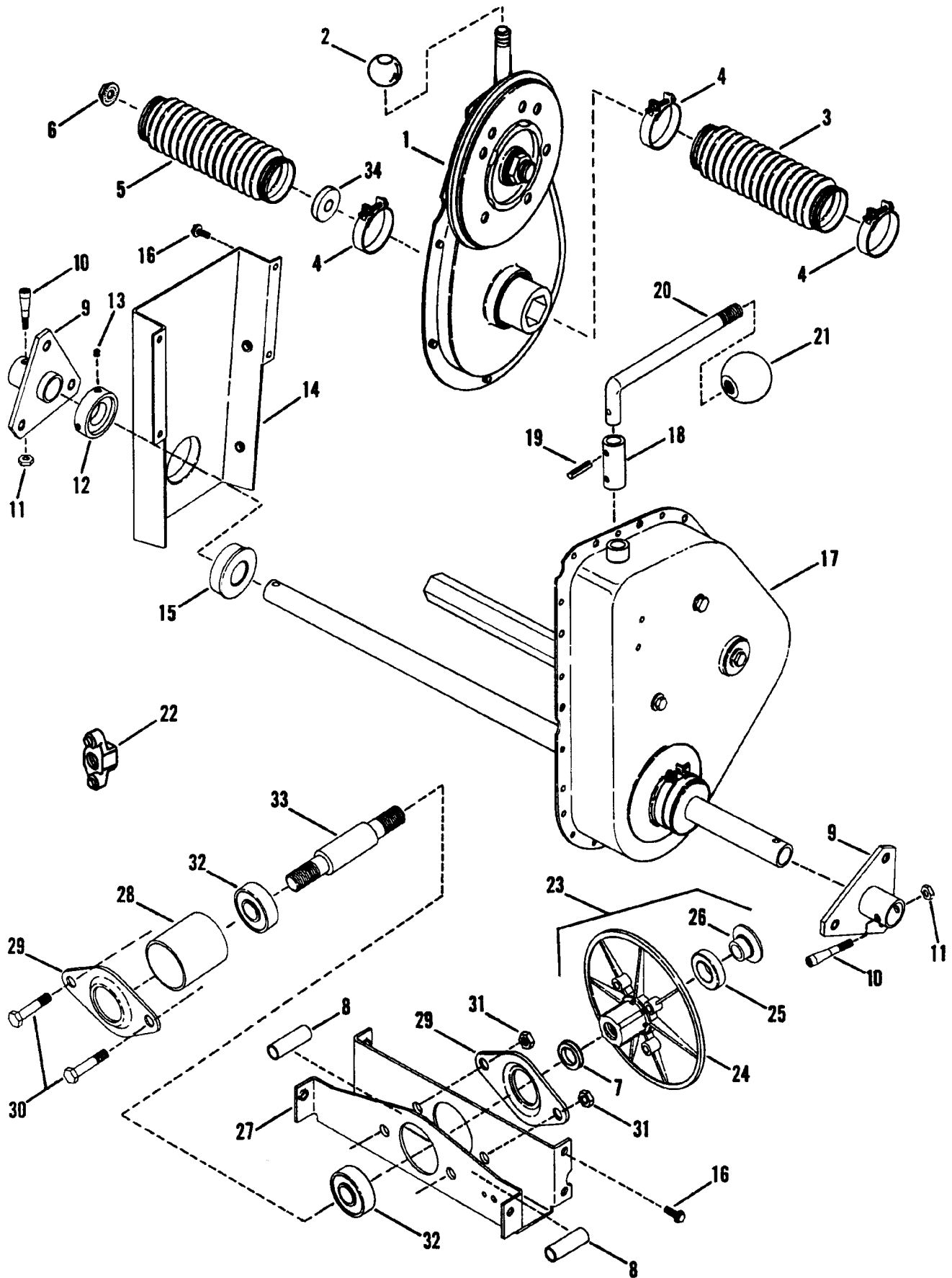
# FUEL TANK, PEDESTAL, DASH PANEL



## FUEL TANK, PEDESTAL, DASH PANEL

ITEM	PART NO.	DESCRIPTION
1	1-9958	PANEL, Dash
2	4-9943	PEDESTAL
3	3-8143	BRACKET, Lower Dash
4	5-7551	TANK, Fuel (Includes item 5)
5	1-4363	CAP, Fuel Tank Filler
6	2-3346	HOLD-DOWN, Fuel Tank
7	3-2633	LINE, Fuel (14-1/2" Long)
8	1-2222	CLAMP, Fuel Line (2)
9	1-4359	FILTER, Fuel (In-Line)
10	1-8254	STRAP, Tank Hold Down
11	9-0803	BOLT, 1/4-20 x 5/8 Flat Head Carriage, Grade 2 (2)
12	3-2749	BRACKET, Fuel Tank
13	9-0477	NUT, 1/4-20 Hex Flange Lock, Grade 5
14	1-8674	CONTROL, Choke Cable (29")
15	9-0858	SCREW, 5/16-18 x 1/2" Hex Washer Face Self-Tap (4)
16a	1-5844	CONTROL, Throttle - B&S
16b	2-8690	CONTROL, Throttle - Kohler 30.85"
17	3-2444	CLIP, Hood Retainer
18	9-0853	SCREW, #10-24 x 1/2" Hex Washer Face Self-Tap (6)
19	9-0361	SCREW, 5/16-18 x 5/8" Hex Washer Face Self-Tap (6)

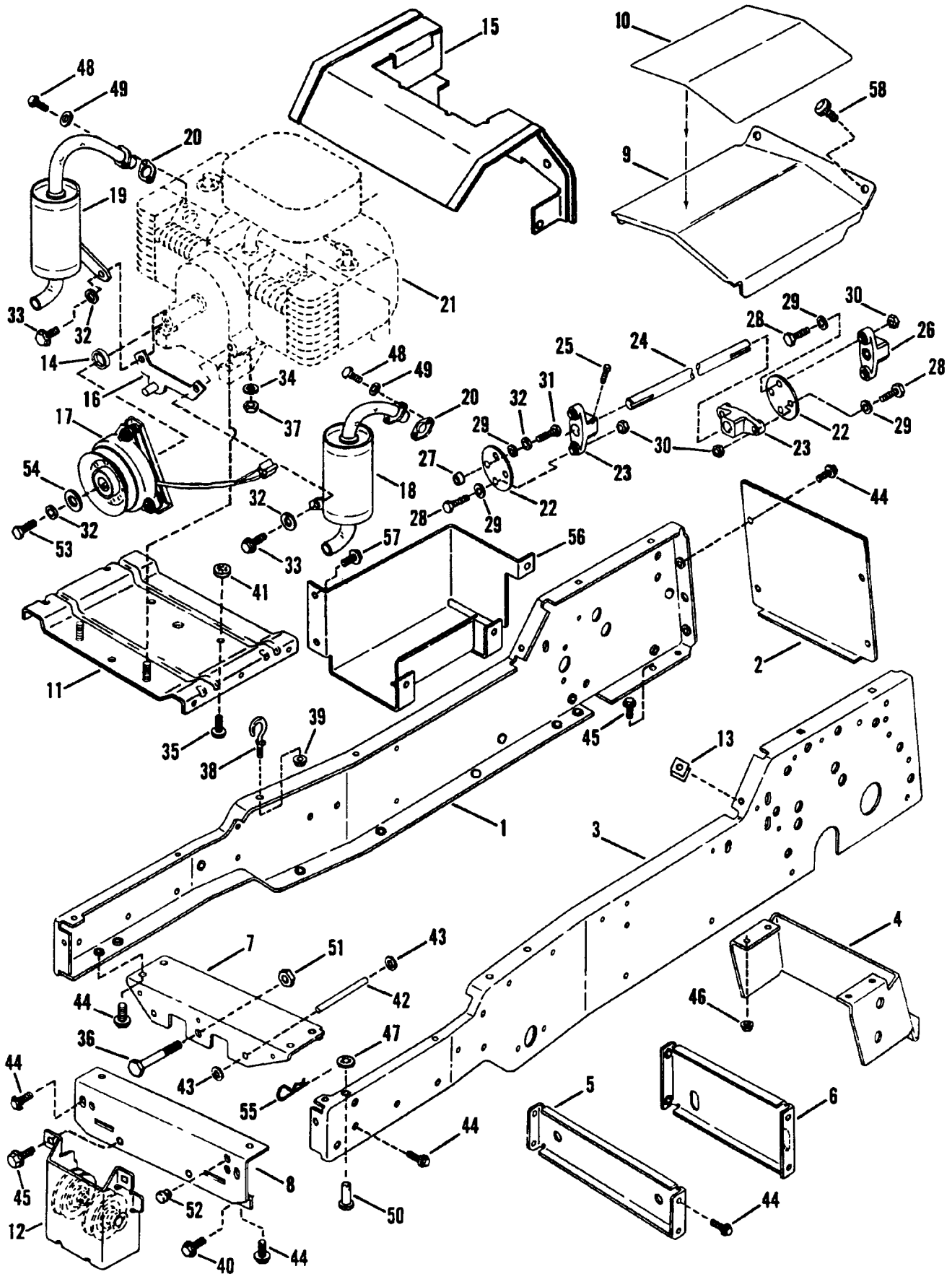
# DRIVE DISC, REAR AXLE COMPONENTS



## DRIVE DISC, REAR AXLE COMPONENTS

ITEM	PART NO.	DESCRIPTION
1	5-9639	PRIMARY CASE (See page 18 for parts breakdown)
2	1-4396	BUSHING, Primary Clutch
3	1-8660	BOOT, Left Side Oil seal
4	1-1037	CLAMP, Boot (4)
5	1-8770	BOOT, Right Side Oil Seal
6	9-0613	NUT, 3/8-16 Hex Flange Lock
7	1-0121	WASHER, Shim (2)
8	1-5264	SPACER
9	2-3307	HUB, Rear Wheel (2)
10	1-1013	BOLT, Tapered (2)
11	1-1201	NUT, 5/16-24 Hex Lock (2)
12	1-4401	LOCK-COLLAR (Includes item 13)
13	9-0201	SETSCREW, 5/16-18 x 5/16" (2)
14	5-7328	ASSEMBLY, Axle Support (includes item 15)
15	1-4400	BEARING, Ball
16	9-0361	SCREW, 5/16-18 x 5/8" Hex Washer Self-Tap (18)
17	5-9846	ASSEMBLY, Transmission (See page 16 & 17 for parts breakdown)
18	2-1903	COUPLING, Shift Lever
19	9-0844	ROLL-PIN, 3/16 x 3/4" (2)
20	3-2308	LEVER, HI-LO Shifter
21	1-4501	KNOB, Shifter Ball
22	1-8584	HUB, Flex Coupling (See pages 8 & 9)
23	5-1418	ASSEMBLY, Drive Disc (includes items 24 thru 26)
24	1-8567	DISC, Drive
25	1-4514	BEARING, Ball
26	1-4447	BUTTON, Center
27	3-6155	SUPPORT, BEARING (Latest version requires items 32 & 33)
28	2-1973	TUBE
29	3-2396	RETAINER (Use with item 27)
30	9-0912	SCREW, 5/16-18 x 4-1/4" Hex Head Cap (2)
31	9-0184	NUT, 5/16-18 Hex Center Lock Grade B or 5 (2)
32	1-3313	BEARING, Ball (2)
33	2-1972	SPINDLE, Drive Disc – 6.040"
34	9-0905	WASHER, Shim

# FRAME, ENGINE & DRIVE PARTS



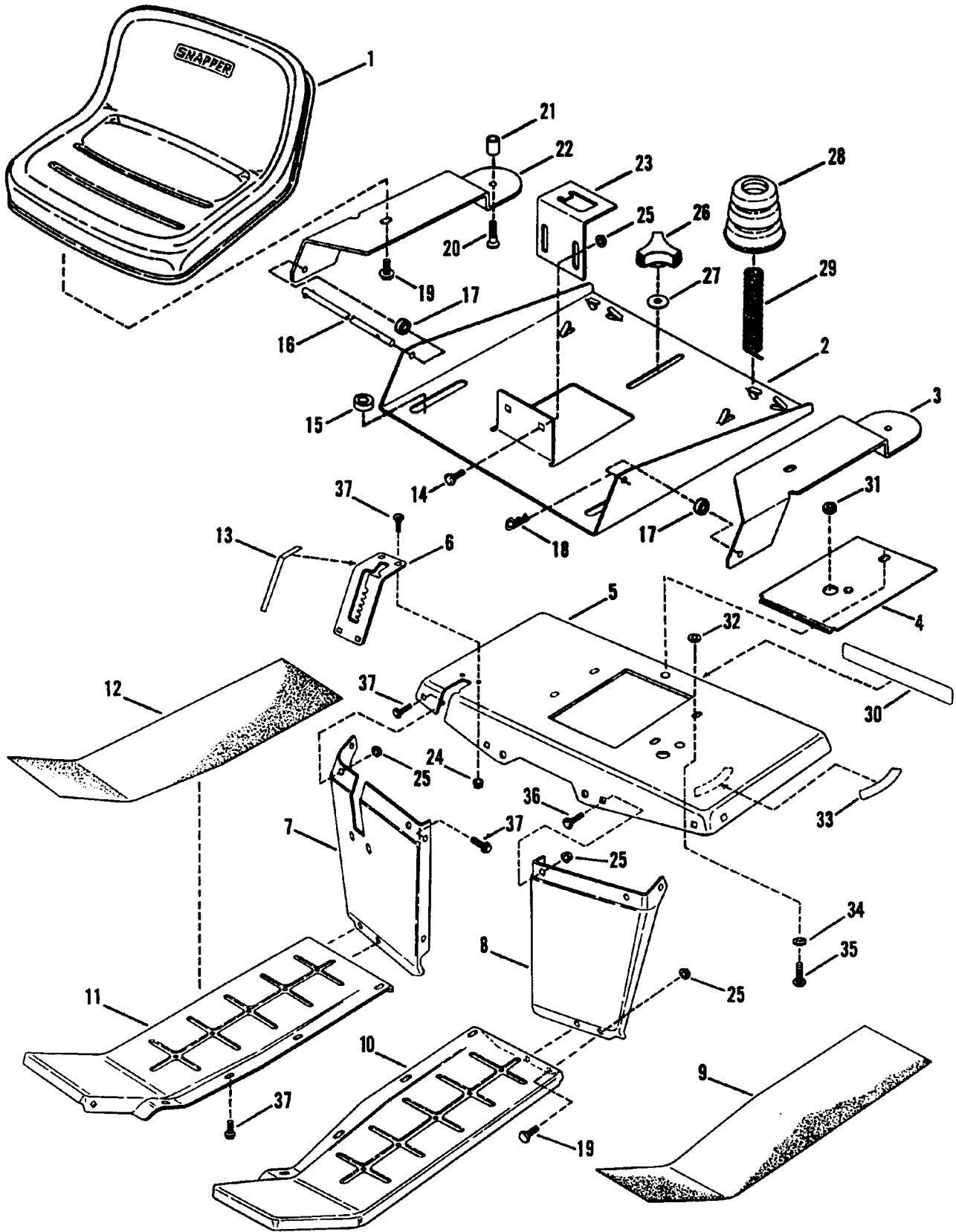


## FRAME, ENGINE & DRIVE PARTS

ITEM	PART NO.	DESCRIPTION
1	5-7626	CHANNEL, Right Hand Frame
2	3-8185	PLATE, Rear Cover
3	5-7625	CHANNEL, Left Hand Frame
4	3-5029	DRAWBAR
5	3-6078	BRACE, Forward
6	3-6366	BRACE, Rear Cross
7	3-8051	CHANNEL, Front Axle Support
8	5-9648	PLATE, Front Frame
9	3-6239	COVER, Console
10	1-6009	DECAL, Console Cover
11	5-7342	BASE, Engine
12	5-7362	ASSEMBLY, Mule Drive (See page 30 for breakdown)
13	2-3295	U-NUT, 1/4-20 x 3/4" (2)
14	2-1960	SPACER, Clutch
15	5-9637	ASSEMBLY, Heat Shield (B&S), (#53886 Kohler)
16	4-0528	BRACKET, Clutch Retainer
17	5-3679	KIT, Electric Clutch (See page 31 for breakdown)
18	1-9741	MUFFLER, LT 12 & LT 16 Engine - B&S (#1-6117 - Kohler)
19	1-9742	MUFFLER, LT 12 & LT 16 Engine - B&S (#1-6118 - Kohler)
20	1-4802	GASKET, Exhaust (2)
21	1-7942*	ENGINE, Briggs Model 402437-1206-01, 16 HP
--	1-7943*	ENGINE, Briggs Model 404437-1205-01, 12.5 HP
22	1-4338	DISC, Flex Coupling (2)
23	1-8626	HUB, Flex Coupling (2)
24	2-2041	SHAFT, Drive
25	9-0848	SET-SCREW, 5/16-18 x 1/2" Square Head (4)
26	1-8584	HUB, Flexible Coupling (Threaded center)
27	1-4803	SPACER, Flexible Coupling (2)
28	9-0138	SCREW, 3/8-16 x 1", Hex Head Cap, Grade 2 (6)
29	3-2070	WASHER, 3/8 Flat (8)
30	9-0546	NUT, 3/8-16 Hex Center Lock, Grade B or 5 (6)
31	9-0143	SCREW, 3/8-16 x 1-1/4" Hex Head Cap, Grade 5 (2)
32	9-0118	WASHER, 3/8 Split Lock (5)
33	9-0603	SCREW, 3/8-16 x 7/8", Hex Head Cap, Grade 5 (2)
34	9-0187	WASHER, 5/16 Split Lock (4)
35	9-0324	SCREW, 3/8-16 x 1" Hex Washer Self-Tap (2)
36	9-0826	SCREW, 1/2-20 x 4" Hex Head Cap, Grade 5
37	9-0196	NUT, 5/16-18 Hex (2)
38	1-4438	HOOK, Hood Latch (2)
39	9-0585	NUT, 5/16-18 Hex Flange, Grade 5 (2)
40	9-0362	SCREW, 1/4-20 x 5/8" Hex Washer Self-Tap
41	1-3847	RETAINER, 3/8 Bolt
42	3-2298	STOP, Axle (2)
43	1-3946	RETAINER, 3/8 Shaft (4)
44	9-0361	SCREW, 5/16-18 x 5/8" Hex Washer Self-Tap (36)
45	9-0612	BOLT, 3/8-16 x 3/4" Hex Flange Lock 6)
46	9-0613	NUT, 3/8-16 Hex Flange Lock (4)
47	9-0919	PUSH-NUT, 1/2 (2)
48	9-0072	SCREW, 1/4-20 x 5/8" Hex Head Cap (4)
49	9-0052	WASHER, 1/4 Split Lock (4)
50	1-2392	PIN, 1/4 x 7/8" Clevis (2)
51	9-0393	NUT, 1/2-20 Hex Nyloc
52	1-4804	RELIEF, Strain
53	9-0523	SCREW, 3/8-24 x 1-5/8" Hex Head Cap, Grade 5
54	9-0905	WASHER, .406 I.D.
55	1-2431	PIN, 1/4 Hair
56	3-6365	BOX, Battery
57	9-0302	SCREW, 1/4-20 x 3/8" Hex Washer Self-Tap (8)
58	2-3341	KNOB, 1/4-20 x 3/4" (2)
	19235	Protector, Battery/Drive Shaft (Not Shown)

**\*Purchase engine parts, other than those shown here from Briggs and Stratton Service outlet.**

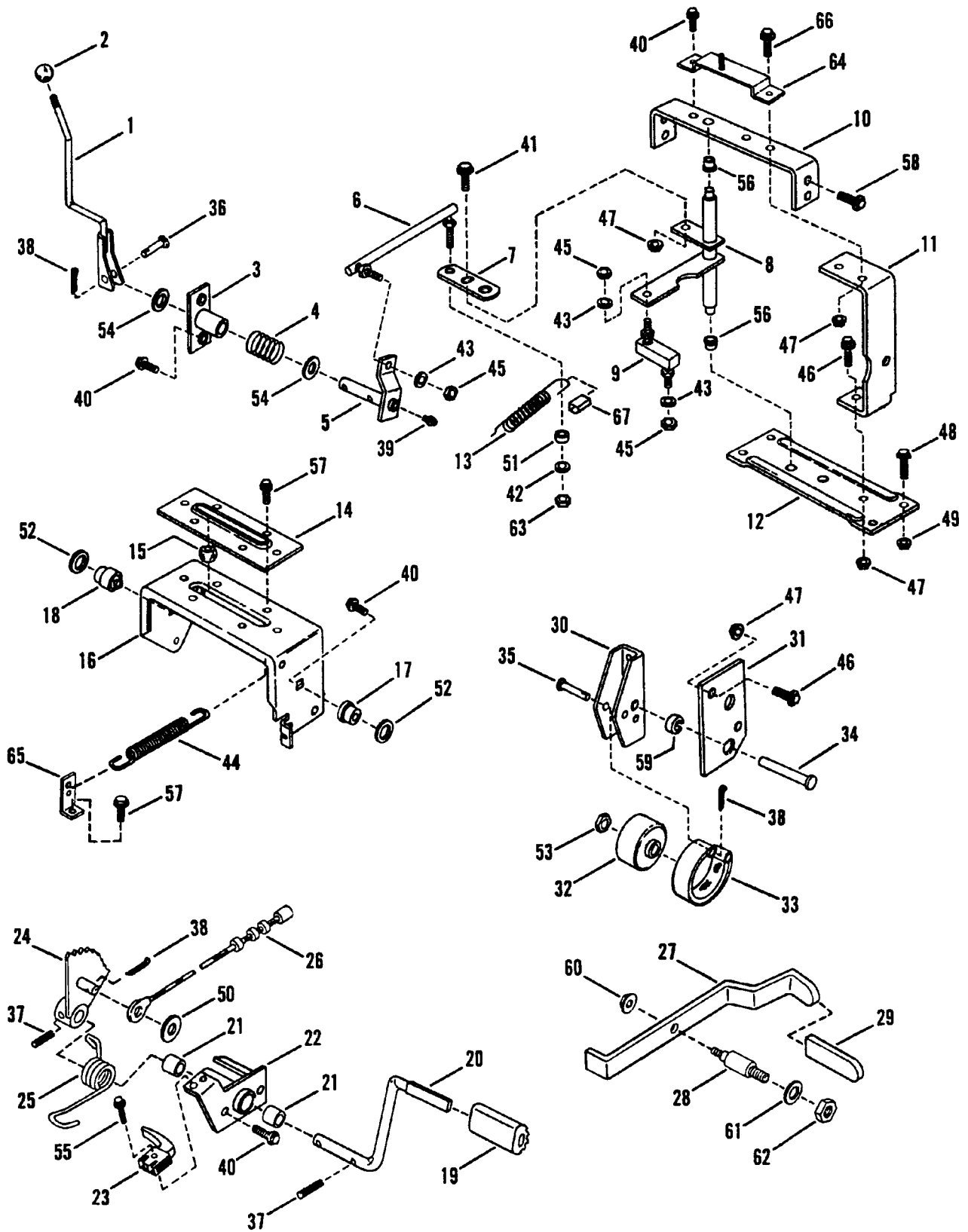
# SEAT, STEP PANELS & REAR FENDER



## SEAT, STEP PANELS & REAR FENDER

ITEM	PART NO.	DESCRIPTION
1	1-6031	SEAT, Operator's
2	3-6253	SUPPORT, Seat
3	3-8536	BRACKET, Seat Support, L.H.
4	3-6363	COVER, Access
5	3-5214	FENDER, Rear
6	3-8089	DETENT, Shift
7	3-9932	EXTENSION, Right Side Fender
8	3-9931	EXTENSION, Left Side Fender
9	1-8603	TREAD, Left Side (Non-Skid)
10	3-5015	PANEL, Left Side Step
11	3-5016	PANEL, Right Side Step
12	1-8602	TREAD, Right Side (Non-Skid)
13	1-4506	DECAL, Speed Shift
14	9-0605	BOLT, 5/16-18 x 5/8" Short Neck Carriage, Grade 5 (2)
15	1-1968	SPACER (2)
16	1-9035	ROD, Seat Hinge
17	2-1861	SPACER (2)
18	1-2431	PIN, Hair
19	9-0721	BOLT, 5/16-18 x 1/2" Hex Flange Lock, Grade 5 (10)
20	7-7683	SCREW, 5/16-18 x 1" Flat Head Hex Recess (2)
21	2-3478	SPACER (2)
22	3-8537	BRACKET, Seat Support, R.H.
23	3-8531	BRACKET, Switch
24	9-0583	NUT, 1/4-20 Hex Flange Lock (6)
25	9-0585	NUT, 5/16-18 Hex Flange Lock (12)
26	1-9231	KNOB, Seat Adjustment
27	1-1763	WASHER, 5/16 I.D. x 1" O.D. Flat
28	1-9109	CUSHION, Seat (2)
29	2-3190	SPRING (2)
30	1-9279	DECAL, Snapper
31	1-4856	GROMMET, Split
32	1-3848	WASHER, 5/16 Flat (8)
33	1-4505	DECAL, Hi-Low Range (Shift)
34	1-1791	RETAINER, Bolt (4)
35	9-0208	BOLT, 5/16-18 x 1" Square Neck Carriage (4)
36	9-0731	BOLT, 5/16-18 x 1/2" Short Neck Carriage, Grade 5 (6)
37	9-0361	SCREW, 5/16-18 x 5/8" Self-Tap (16)

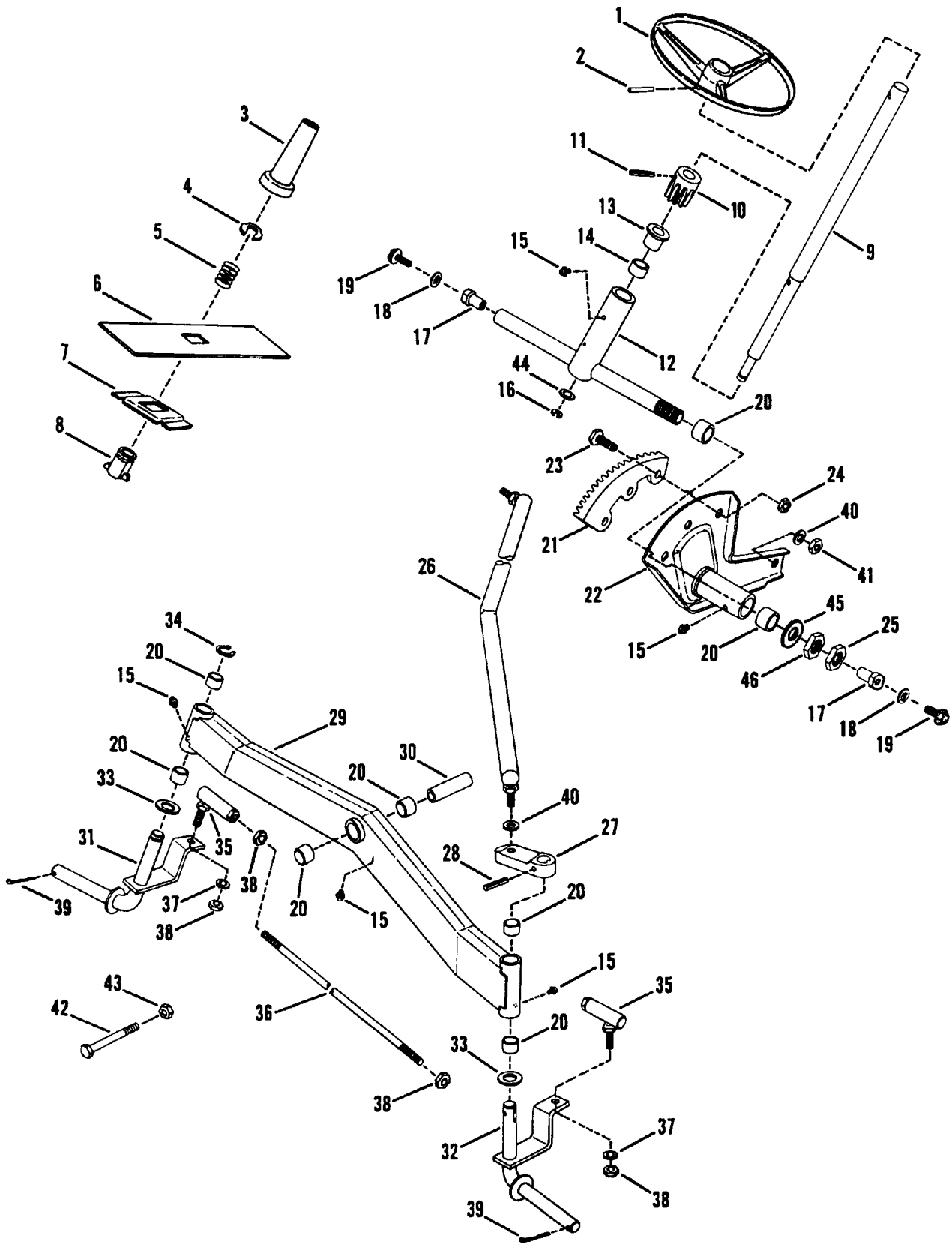
# CLUTCH, BRAKE & TRANSMISSION CONTROL



# CLUTCH, BRAKE & TRANSMISSION CONTROL

ITEM	PART NO.	DESCRIPTION	ITEM	PART NO.	DESCRIPTION
1	4-0494	SHIFTER, Transmission	38	9-0037	PIN, 3/32 x 3/4" Cotter (3)
2	1-4501	KNOB, Shifter	39	1-3324	FITTING, Lube
3	4-0486	PIVOT, Shift	40	9-0361	SCREW, 5/16-18 x 5/8" Hex Flange Self-Tap
4	1-4442	SPRING, Shift Detent	41	9-0606	BOLT, 5/16-18 x 5/8" Hex Flange Lock
5	5-1610	ARM, Shifter (Incl. Item 39)	42	9-0188	WASHER, 5/16 SAE
6	1-4441	LINK, Shift-Long (8.53")	43	9-0187	WASHER, 5/16 Split Lock
7	3-2257	ARM, Shift Adjusting	44	1-4659	SPRING
8	4-7828	ARM, Shift	45	9-0223	NUT, 5/16-24 Hex
9	1-4337	LINK, Shift-Short	46	9-0595	BOLT, 5/16-18 x 3/4" Hex Flange Lock.
10	3-8046	STRAP, Upper Cross	47	9-0585	NUT, 5/16-18 Hex Flange Lock, Grade 5 (4)
11	3-8100	STRAP, Brake Pivot Support	48	9-0612	BOLT, 3/8-16 x 3/4" Hex Flange Lock
12	3-8084	STRAP, Lower Cross	49	9-0613	NUT, 3/8-16 Hex Flange Lock
13	1-4528	SPRING, Reverse Assist	50	9-0122	WASHER, 3/8 SAE Flat
14	3-2315	RETAINER (PLATE), Clutch Yoke Bushing	51	1-1968	ROLLER, Shift Arm
15	1-4396	BUSHING, Clutch Ball	52	1-0935	WASHER, Shim (2)
16	3-6077	YOKE, Clutch	53	9-0356	JAM-NUT, 5/8-18
17	1-4327	BUSHING, Yoke Pivot-Short	54	3-1036	WASHER, Thrust
18	1-4328	BUSHING, Yoke Pivot-Long	55	9-0849	SCREW, #10-24 x 1" Self-Tap
19	1-2661	PAD, Pedal	56	1-1016	BEARING, Nylon (2)
20	3-6086	PEDAL, Clutch Brake	57	9-0539	SCREW, 1/4-20 x 1/2" Hex Flange Self-Tap (5)
21	1-4435	BEARING, Sleeve (2)	58	9-0506	SCREW, 3/8-16 Hex Flange Self-Tap
22	5-1483	BRACKET, Pedal Pivot (Includes two item 21)	59	1-1780	RING
23	1-8524	SWITCH, Clutch Interlock	60	9-0477	NUT, 1/4-20 Small Flange Lock
24	4-0514	ARM, Clutch/Brake	61	9-0390	WASHER, 3/8 Internal Tooth Lock
25	1-4752	SPRING, Clutch/Brake	62	9-0130	NUT, 3/8-16 Hex, Grade 5
26	1-7432	CABLE, Clutch/Brake 36"	63	9-0222	NUT, 5/16-24 Hex Center Lock
27	3-8142	LEVER, Parking Brake	64	5-1909	ASSEMBLY, Bracket
28	1-4754	STUD, Parking Brake	65	3-2446	CLIP, Spring Attach
29	1-4755	SLEEVE, Parking Brake	66	9-0661	BOLT, 5/16-18 x 1" Hex Flange Lock
30	3-2324	LEVER, Brake Pivot	67	1-5291	CLIP, Spring Retainer
31	3-2335	SUPPORT, Brake Pivot			
32	4-0493	DRUM, Brake			
33	5-7340	BAND, Brake			
34	1-4539	PIN, 3/8 x 2-9/16" Clevis			
35	1-4538	PIN, 1/4 x 1-13/16" Clevis			
36	1-0121	PIN, 3/8 x 1-1/4" Clevis			
37	1-3878	ROLL-PIN, 3/16 x 1-1/4" (2)			

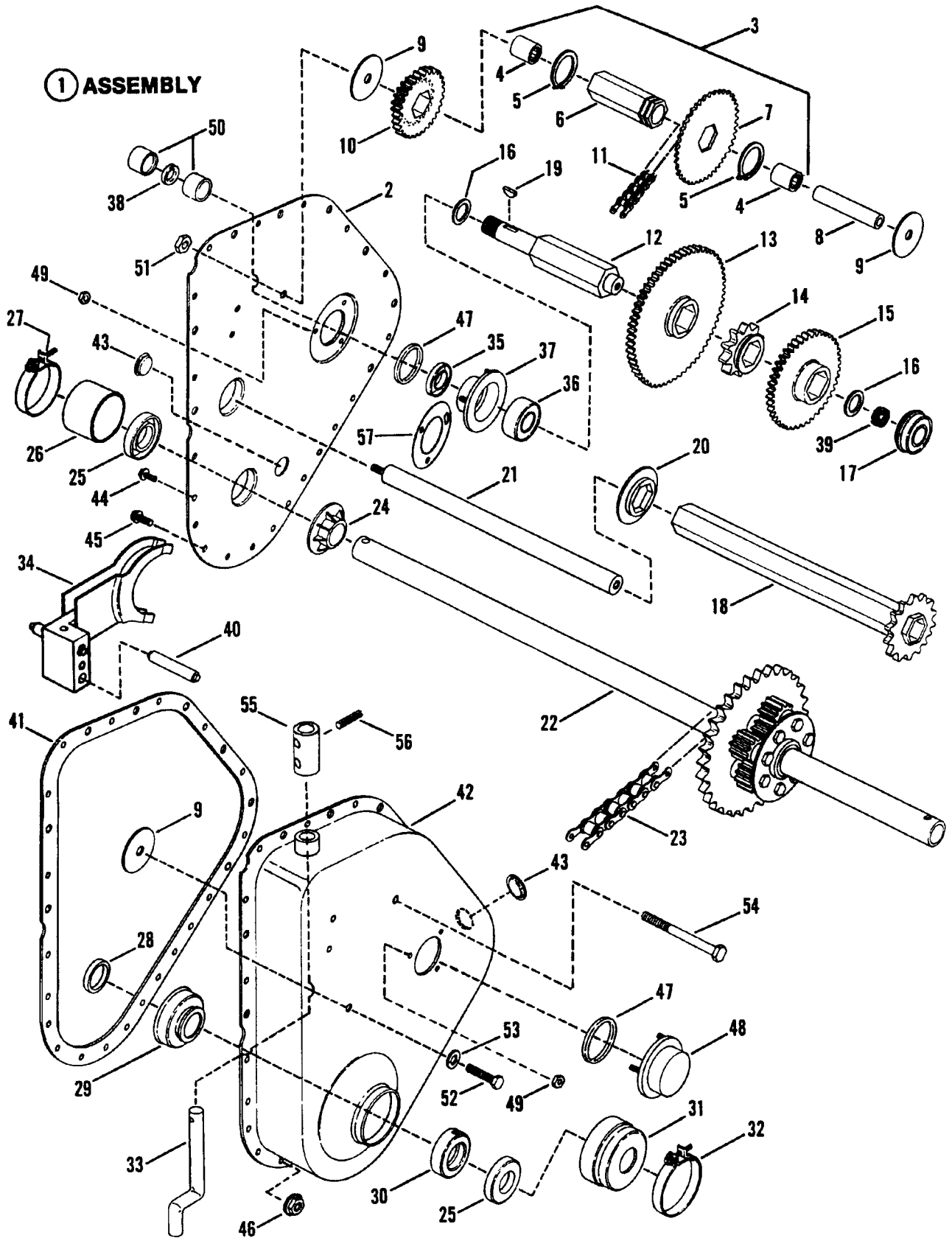
# STEERING & FRONT AXLE PARTS



## STEERING & FRONT AXLE PARTS

ITEM	PART NO.	DESCRIPTION
1	1-8589	STEERING WHEEL
2	1-4437	ROLL-PIN, 1/4" x 2-1/4"
3	1-8601	ACTUATOR, Steering Lock
4	1-4362	RING, 13/16" External Retaining
5	1-4402	SPRING, Actuator
6	1-4430	COVER, Slide
7	3-2272	RISER, Steering Lock
8	1-8583	BUSHING, Steering Lock
9	2-7646	SHAFT, Steering (Current Models)
10	1-8568	PINION, Steering
11	9-0841	ROLL-PIN, 3/16 x 1-1/2"
12	5-7363	ASSEMBLY, Bearing Support (Incl. Items 13 & 14)(Current Models)
13	1-4436	BEARING, Flange
14	1-4435	BUSHING
15	1-3864	FITTING, Lube (5)
16	9-0870	SNAP-RING, 5/16 (Current Models)
17	1-4358	PIVOT (2)
18	9-0391	WASHER, 5/16 Internal Tooth Lock (2)
19	9-0793	SCREW, 5/16-18 x 3/4" Hex Washer Self-Tap (2)
20	1-2706	BEARING (2)
21	1-9717	QUADRANT, Steering
22	5-1457	ASSEMBLY, Sector (Includes two item 20, one item 15)
23	9-0072	SCREW, 1/4-20 x 5/8" Hex Head Cap, Grade 5 (3)
24	9-0372	NUT, 1/4-20 Hex Center Lock, Grade B or 5 (3)
25	1-0027	NUT, 3/4-16 Hex Jam
26	1-9724	DRAG-LINK
27	1-8621	ARM, Steering
28	9-0842	ROLL-PIN, 1/4 x 1-1/4"
29	5-7366	ASSEMBLY, Front Axle (Includes six item 20, three item 15)
30	2-1882	JOURNAL, Axle
31	4-7812	KING-PIN, Right Side
32	4-7813	KING-PIN, Left Side
33	3-1036	WASHER, Thrust (2)
34	1-0746	RING, 3/4" External Retaining (2)
35	1-0745	BALL-JOINT (2)
36	1-4403	TIE-ROD
37	9-0118	WASHER, 3/8" Split Lock (2)
38	9-0155	NUT, 3/8-24 Hex, Grade 2 (2)
39	9-0364	COTTER-PIN, 5/32 x 1" (2)
40	9-0254	WASHER, 1/2 Split Lock (2)
41	9-0265	NUT, 1/2-20 Hex, Grade 2
42	9-0826	SCREW, 1/2-20 x 4" Hex Head Cap, Grade 5
43	9-0393	NUT, 1/2-20 Hex Thin Lock
44	1-3866	WASHER, 3/8" I.D. Flat
45	9-0863	WASHER, 3/4" I.D. Flat
46	9-0281	NUT, 3/4-16 Hex
47	6-0704	BAG, Hardware (Includes items 2 and 1-1024 Cap Plug)

# TRANSMISSION ASSEMBLY PARTS

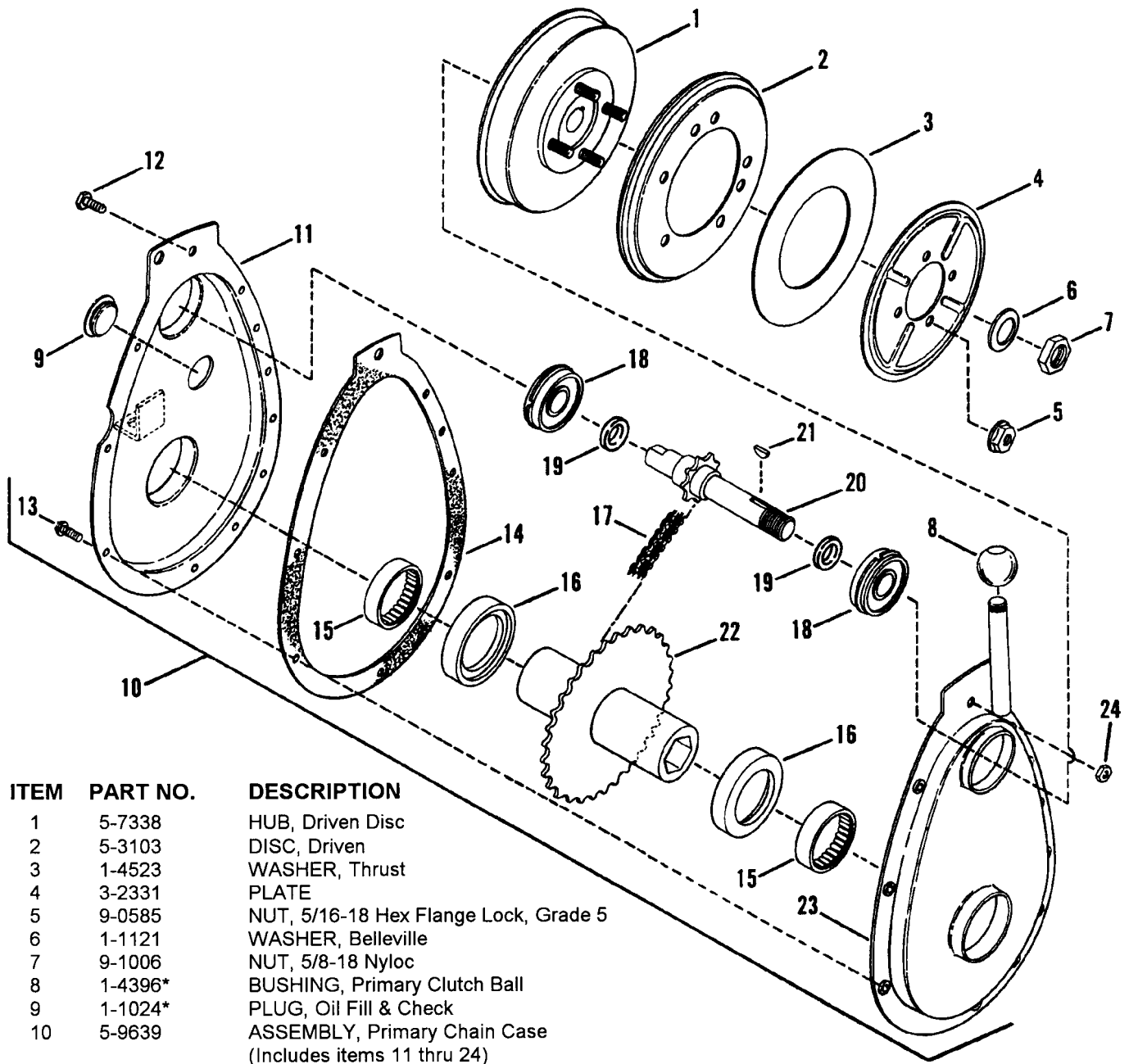




# TRANSMISSION ASSEMBLY PARTS

ITEM	PART NO.	DESCRIPTION
1	5-9846	ASSEMBLY, TRANSMISSION (Includes items 2 thru 56)
2	5-7416	COVER, Transmission (Includes item 35,36,37,47 & 49)
3	5-7440	ASSEMBLY, Hex Tube (Short)(Includes items 4 thru 7)
4	1-5339	BEARING, Needle (2)
5	1-4470	RING, Retaining (2)
6	5-1455	TUBE, Hex (Includes two item 4)
7	1-4448	SPROCKET, 46 Tooth (#35)
8	2-1898	RACE, Bearing
9	3-2255	THRUST WASHER
10	4-0499	CLUSTER GEAR
11	1-4490	CHAIN, 56 Pitch (#35)
12	2-7647	SHAFT, Third Reduction
13	1-8596	GEAR, 67 Tooth, 12 Pitch
14	1-8598	SPROCKET, 10 Tooth (#50)
15	1-8597	GEAR, 47 Tooth, 12 Pitch
16	1-0690	SHIM WASHER (2)
17	1-0756	BEARING (2)
18	5-1584	ASSEMBLY, Drive Hex Tube
19	1-0211	KEY, Woodruff (#9)
20	1-0988	SPECIAL WASHER (Hex Insert)
21	5-1607	SHAFT, Drive Tube Support
22	*	DIFFERENTIAL (See Page 19 for Breakdown)
23	1-4444	CHAIN, 42 Pitch (#50)
24	1-4446	SPECIAL WASHER <span style="float: right;">*Not available assembled as shown</span>
25	1-1817	OIL SEAL (2) <span style="float: right;">**Older units not updated</span>
26	3-1732	CAP, Seal
27	1-1037	CLAMP, 1-7/8" Hose
28	2-1899	SPACER, Bearing
--	3-2107	SPACER, Bearing
29	1-4400	BEARING
29A	1-8822	BEARING, Rear Axle
30	1-4401	COLLAR, Lock
31	1-4541	CAP, Dust Seal
32	1-4542	CLAMP, For 2.69" Hose
33	3-2309	ROD, (HI-LO Range) Shift
34	5-7330	ASSEMBLY, HI-LO Shifter (Includes Items 35 thru 39)
35	1-5219	SEAL, Oil
36	1-4514	BEARING
37	5-1586	ASSEMBLY, Bearing Retainer
38	1-4508	"O"-RING
39	1-5017	RING, Tolerance
40	2-1901	GUIDE-PIN, Shift
41	1-9962	GASKET, Cover to Case
42	5-7417	ASSEMBLY, Transmission Case (Incl. items 17,29,47,48 & 49)
--	5-7449	ASSEMBLY, Transmission Case (Incl. Items 29A, 46 & 57)
43	1-1024	PLUG, Oil Fill & Check (2)
44	9-0362	SCREW, 1/4-20 x 5/8" HWF Self Tap (18)
45	9-0584	BOLT, 1/4-20 x 1/2" HWF (2-Locating)
46	9-0583	NUT, 1/4-20 Hex Flange Lock (for item 45)
47	1-5218	"O"-RING (2)
48	5-1585	ASSEMBLY, Bearing Retainer
49	9-0583	NUT, 1/4-20 Hex Flange Lock (6)
50	1-5041	SPACER, Brake Shaft (2)
51	9-0499	NUT, 3/8-16 Hex Top Lock
52	9-0134	SCREW, 3/8-16 x 3/4" Hex Head Cap, Grade 5
53	9-0118	WASHER, 3/8 Split Lock
54	9-0810	SCREW, 3/8-16 x 3-1/4" Hex Head Cap
55	2-1903	COUPLING, Shift Lever
56	9-0844	ROLL-PIN, 3/16 X 3/4"
57	1-5799	GASKET, Bearing Retainer

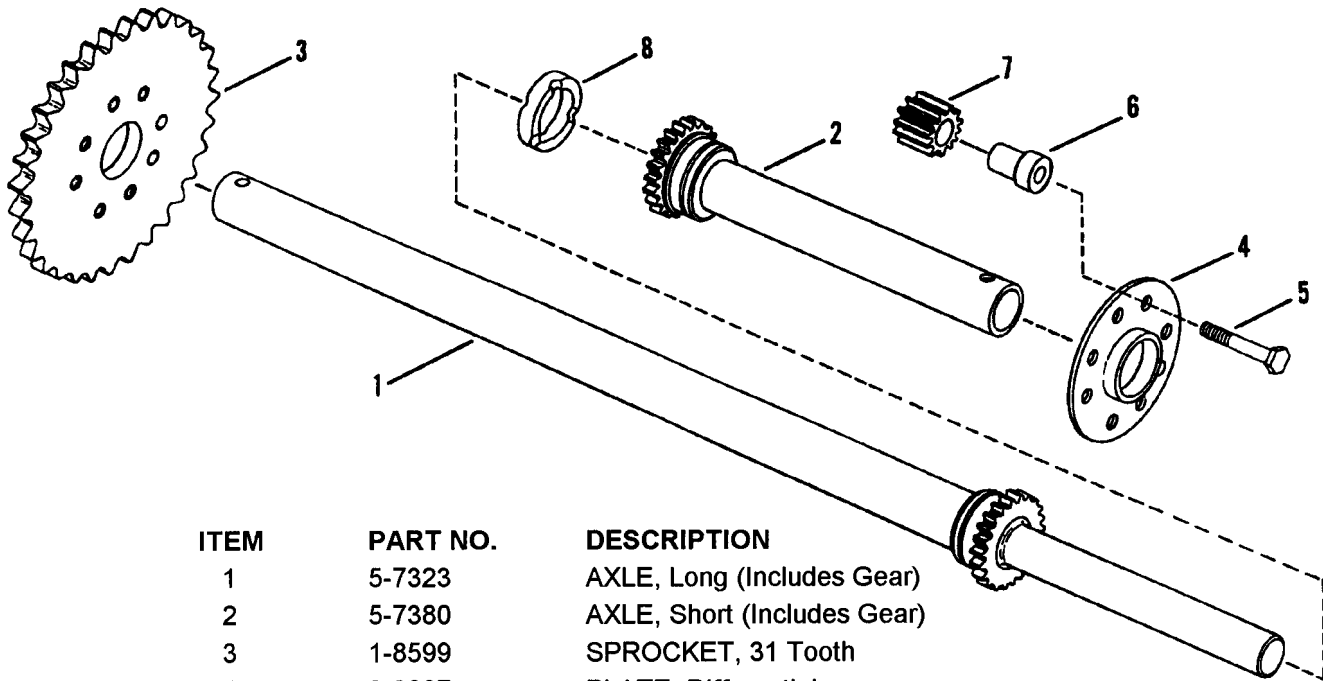
# PRIMARY CHAIN CASE



ITEM	PART NO.	DESCRIPTION
1	5-7338	HUB, Driven Disc
2	5-3103	DISC, Driven
3	1-4523	WASHER, Thrust
4	3-2331	PLATE
5	9-0585	NUT, 5/16-18 Hex Flange Lock, Grade 5
6	1-1121	WASHER, Belleville
7	9-1006	NUT, 5/8-18 Nyloc
8	1-4396*	BUSHING, Primary Clutch Ball
9	1-1024*	PLUG, Oil Fill & Check
10	5-9639	ASSEMBLY, Primary Chain Case (Includes items 11 thru 24)
11	4-7829	COVER, Chain Case
12	9-0072	SCREW, 1/4-20 x 5/8" Hex Head Cap, Gr. 5
13	9-0307	SCREW, #10-24 x 1/2" Hex Washer Self-Tap (10)
14	1-8059	GASKET, Case/Cover
15	1-0942	BEARING, Needle (2)
16	1-1086	WASHER, Thrust (2)
17	1-0941	CHAIN
18	1-0756	BEARING, Ball (2)
19	1-4508	"O"-RING (2)
20	1-0940	SPROCKET & SHAFT
21	1-0614	KEY, Woodruff
22	4-0355	HUB & SPROCKET
23	4-7830	COVER, Sprocket
24	9-0372	NUT, 1/4-20 Hex Center Lock, Gr. B or 5

\* ITEMS 8 & 9 ARE NOT INCLUDED WITH ASSEMBLY 5-9639, PRIMARY CHAIN CASE ASSEMBLY

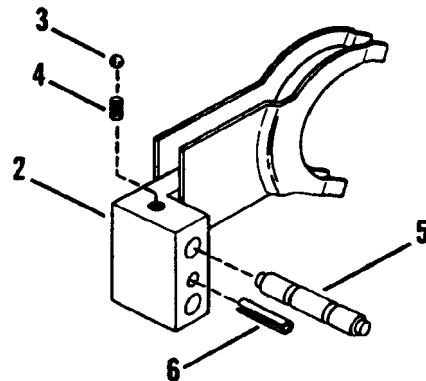
## REAR AXLE-DIFFERENTIAL



ITEM	PART NO.	DESCRIPTION
1	5-7323	AXLE, Long (Includes Gear)
2	5-7380	AXLE, Short (Includes Gear)
3	1-8599	SPROCKET, 31 Tooth
4	3-8067	PLATE, Differential
5	1-2333	SCREW, 5/16-24 x 1-5/8" Hex Head Cap (Special) Lock, Grade 5 (8)
6	2-1126	SPACER, Pinion (8)
7	2-1127	PINION GEAR, Differential (8)
8	1-1026	SPACER, Axle

DIFFERENTIAL PART OF TRANSMISSION ASSEMBLY- SEE PAGE 16.

## SHIFTER ASSEMBLY

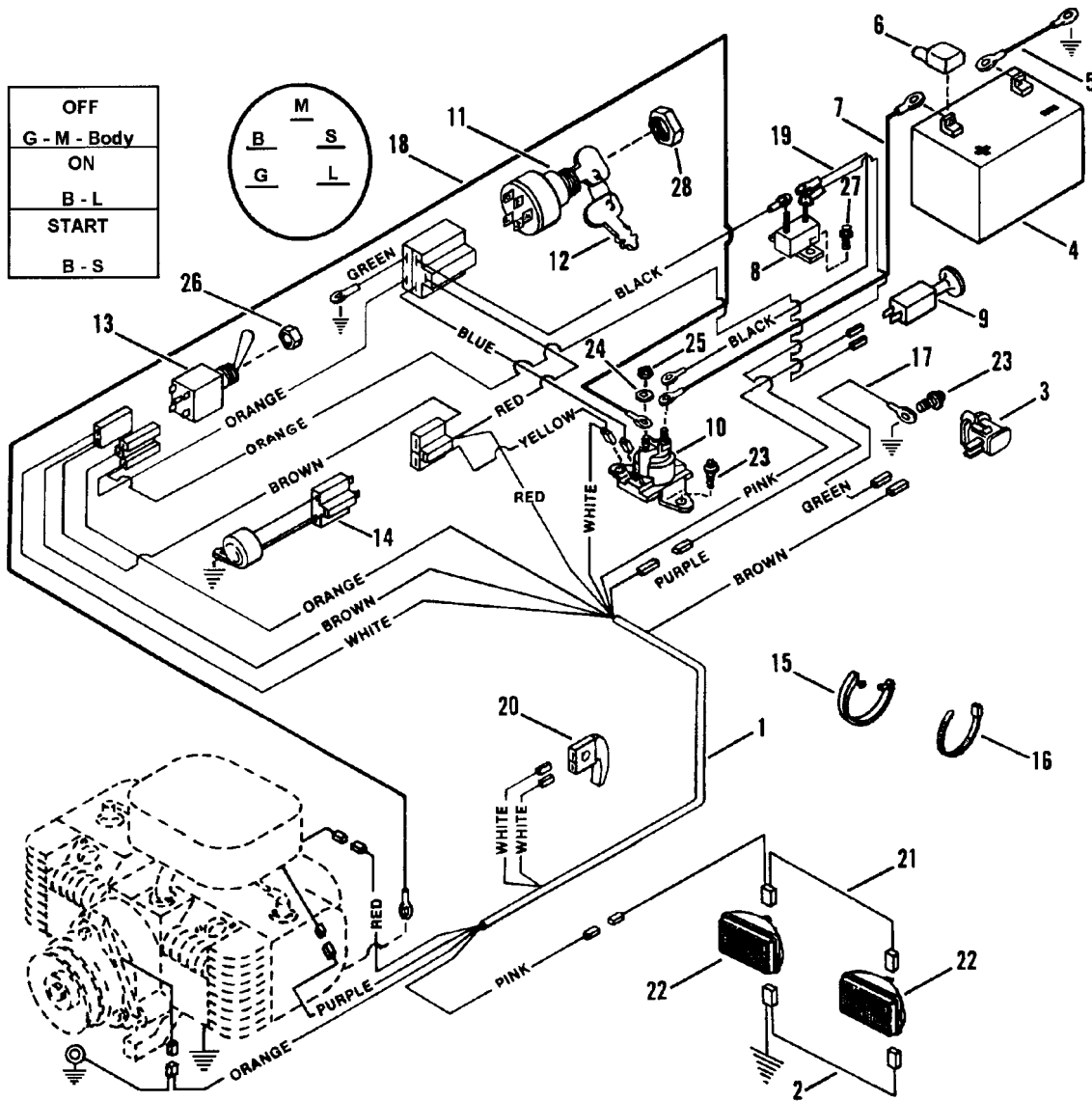


(1) ASSEMBLY

ITEM	PART NO.	DESCRIPTION
1	5-7330	ASSEMBLY, HI-LO SHIFTER (Includes items 2 thru 6)
2	4-7833	FORK, Shift
3	1-4469	BALL, Detent
4	2-3252	SPRING, Detent Ball
5	2-1900	GUIDE-PIN, Detent
6	9-0842	ROLL-PIN, 1/4 x 1-1/4"

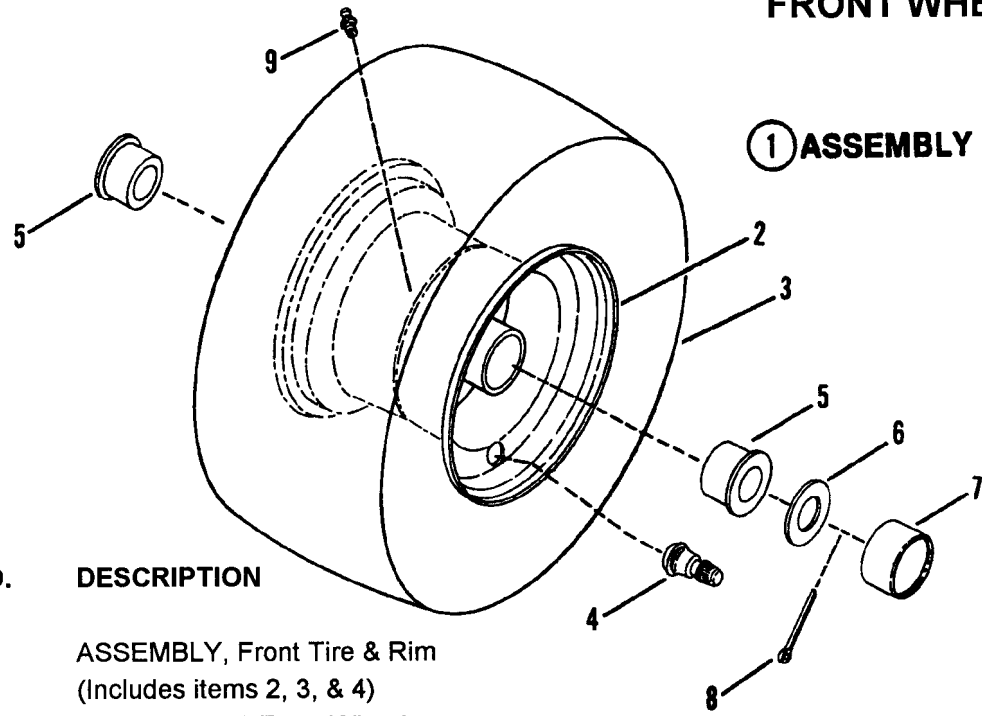
SHIFTER PART OF TRANSMISSION ASSEMBLY- SEE PAGE 16.

# ELECTRIC SYSTEM COMPONENTS



ITEM	PART NO.	DESCRIPTION	ITEM	PART NO.	DESCRIPTION
1a	1-7045	HARNESS, Wiring – B&S	15	1-4451	TIE, Wire
1b	1-7016	HARNESS, Wiring - Kohler	16	1-2080	TIE, Cable
2	1-5487	HARNESS, Ground	17	1-4870	WIRE, Seat Switch to Ground
3	1-7589	SWITCH, Seat Interlock (NO)	18	1-4477	CABLE, Solenoid/Starter (36")
4	6-0974	BATTERY KIT, 12V.	19	1-4478	WIRE, Breaker to Solenoid
5	1-1859	CABLE, Negative	20	1-8524	SWITCH, Clutch Interlock
6	2-3342	COVER, Positive Terminal	21	1-5486	HARNESS, Headlamp
7	2-3149	CABLE, Solenoid to Batt. (11")	22	1-8829	HEAD-LAMP (2)
8	1-3941	CIRCUIT-BREAKER	23	9-0362	SCREW, 1/4-20 X 5/8" Hex Washer Self-Tap (2)
9	1-8623	SWITCH, Headlamp	24	9-0053	WASHER, 1/4 Int. Tooth Lock
10	1-8604	SOLENOID	25	9-0063	NUT, 1/4-20 Hex (2)
11	1-8562	KEYSWITCH (Incl. item 12)	26	1-2686	NUT, Special 1/2-27 Hex
12	1-1138	KEY (Set of 2)	27	9-0307	SCREW, #10-24 x 1/2" Hex Washer Face Self-Tap (2)
13	1-9545	SWITCH, PTO	28	1-2685	NUT, Special 5/8-32 Hex
14a	1-8571	MODULE, Interlock – B&S			
14b	1-8999	MODULE, Interlock – Kohler			

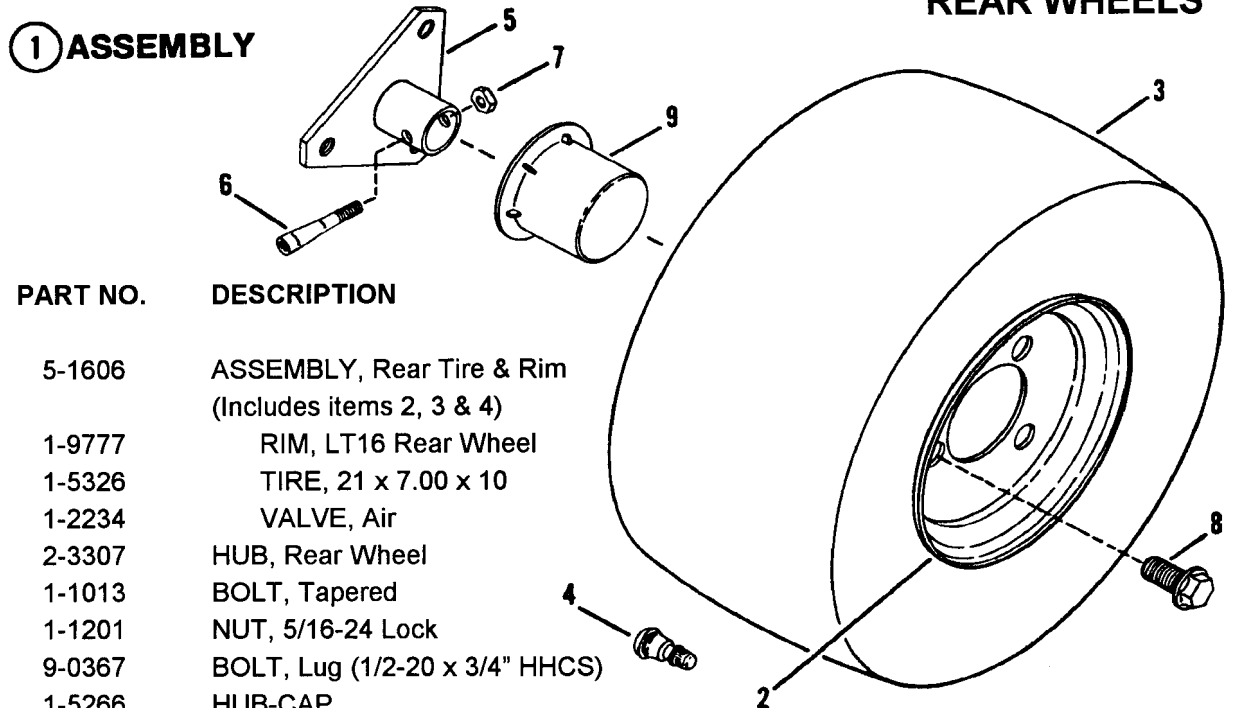
## FRONT WHEELS



ITEM	PART NO.	DESCRIPTION
1	5-1372	ASSEMBLY, Front Tire & Rim (Includes items 2, 3, & 4)
2	1-9718*	RIM, LT16 Front Wheel
3	1-4350	TIRE, 15 x 6.00 x 6
4	1-2234	VALVE, Air
5	1-4483	BEARING, Wheel (2)
6	3-2027	WASHER, 49/64 x 1-1/2" Flat
7	1-1022	COVER, Dust
8	9-0364	PIN, 5/32 X 1" Cotter
9	1-3876	FITTING, Lube

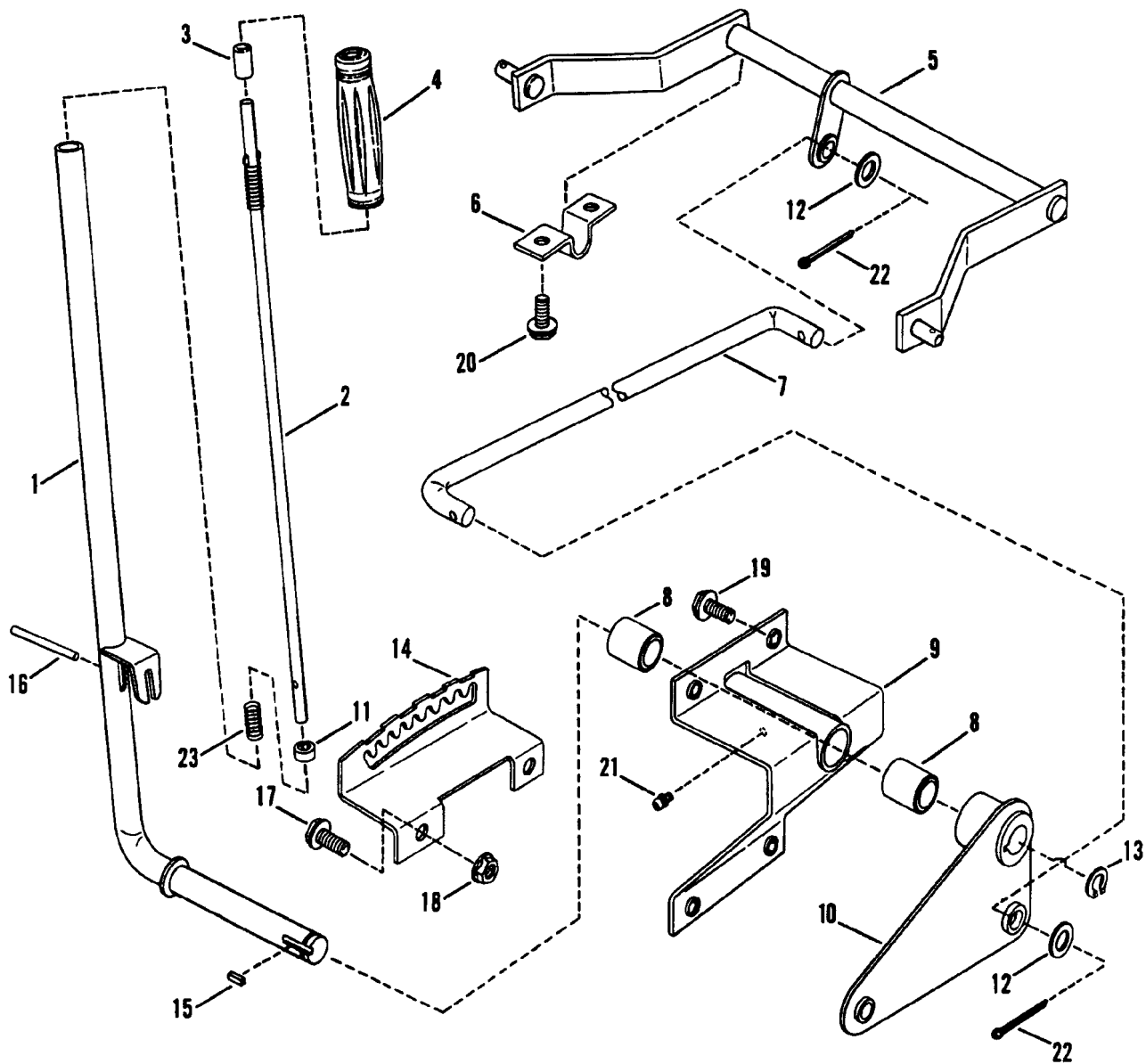
\*(Rim Includes one item 5 & two item 6)

## REAR WHEELS



ITEM	PART NO.	DESCRIPTION
1	5-1606	ASSEMBLY, Rear Tire & Rim (Includes items 2, 3 & 4)
2	1-9777	RIM, LT16 Rear Wheel
3	1-5326	TIRE, 21 x 7.00 x 10
4	1-2234	VALVE, Air
5	2-3307	HUB, Rear Wheel
6	1-1013	BOLT, Tapered
7	1-1201	NUT, 5/16-24 Lock
8	9-0367	BOLT, Lug (1/2-20 x 3/4" HHCS)
9	1-5266	HUB-CAP

# IMPLEMENT LIFT PARTS



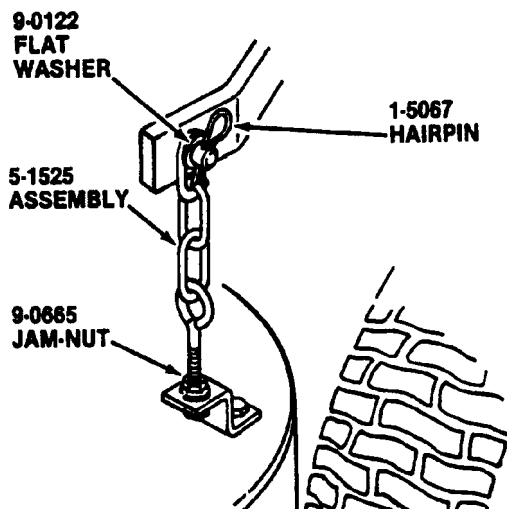
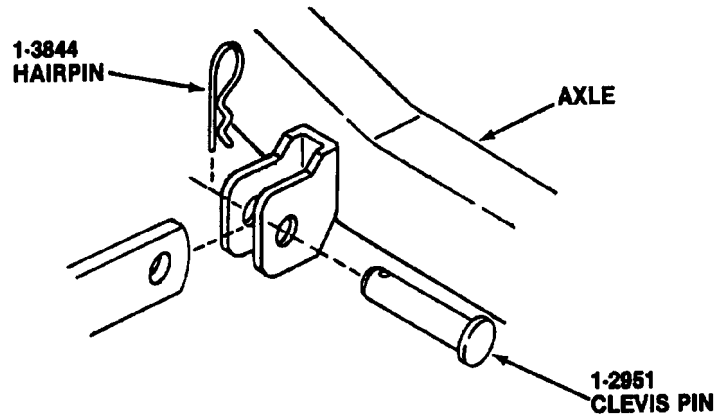
ITEM	PART NO.	DESCRIPTION
1	4-7868	ARM, Implement Lift Lever
2	3-2435	ROD, Lift Lever
3	1-4361	CAP, Lift Release
4	1-3948	GRIP, Handle
5	4-9725	ARM, Rear Lift (1985)(22")
6	3-2239	BRACKET, Hanger (2)
7	3-2266	LIFT-ROD
8	1-8289	BEARING, Sleeve (2)
9	5-1523	PIVOT ASSY, Lift Lever (Incl. Two item 8 & one item 21)
10	4-7806	LEVER-ARM
11	1-5019	PLUG, Rod
12	9-0250	WASHER, 1/2 SAE (2)
13	1-5020	RING, 7/8" Ext. Retaining

ITEM	PART NO.	DESCRIPTION
14	3-8063	QUADRANT, Lift Lever
15	1-3250	KEY, 1/4 x 1/4 Square
16	9-0881	PIN, 3/16 x 2" Groove
17	9-0612	BOLT, 3/8-16 x 3/4" Hex Flange Lock (2)
18	9-0613	NUT, 3/8-16 Hex Flange Lock
19	9-0361	SCREW, 5/16-18 x 5/8" Hex Washer Face Self-Tap (4)
20	9-0506	SCREW, 3/8-16 x 1/2" Hex Washer Face Self-Tap (4)
21	1-3864	FITTING, Lube
22	9-0041	PIN, 1/8 x 1" Cotter
23	1-4432	SPRING, Lift Handle

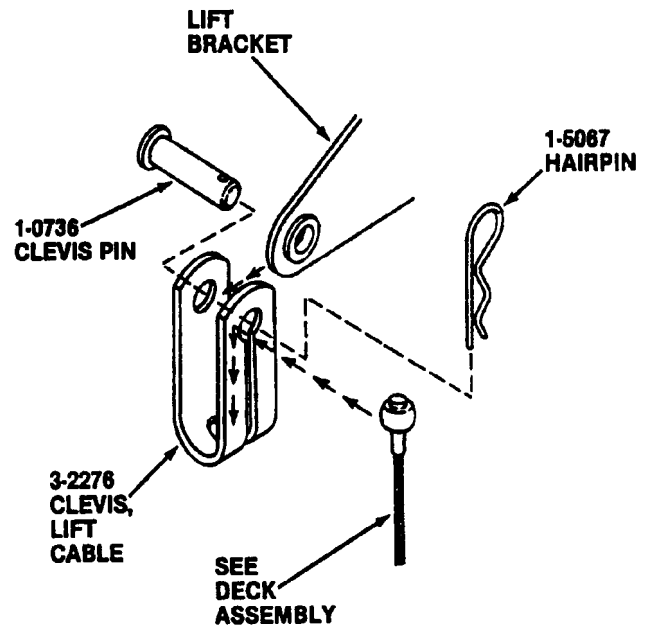
# DECK HANGER DETAIL

HARDWARE BAG 6-0591 (33", 41" DECK)

## FRONT LIFT ARM

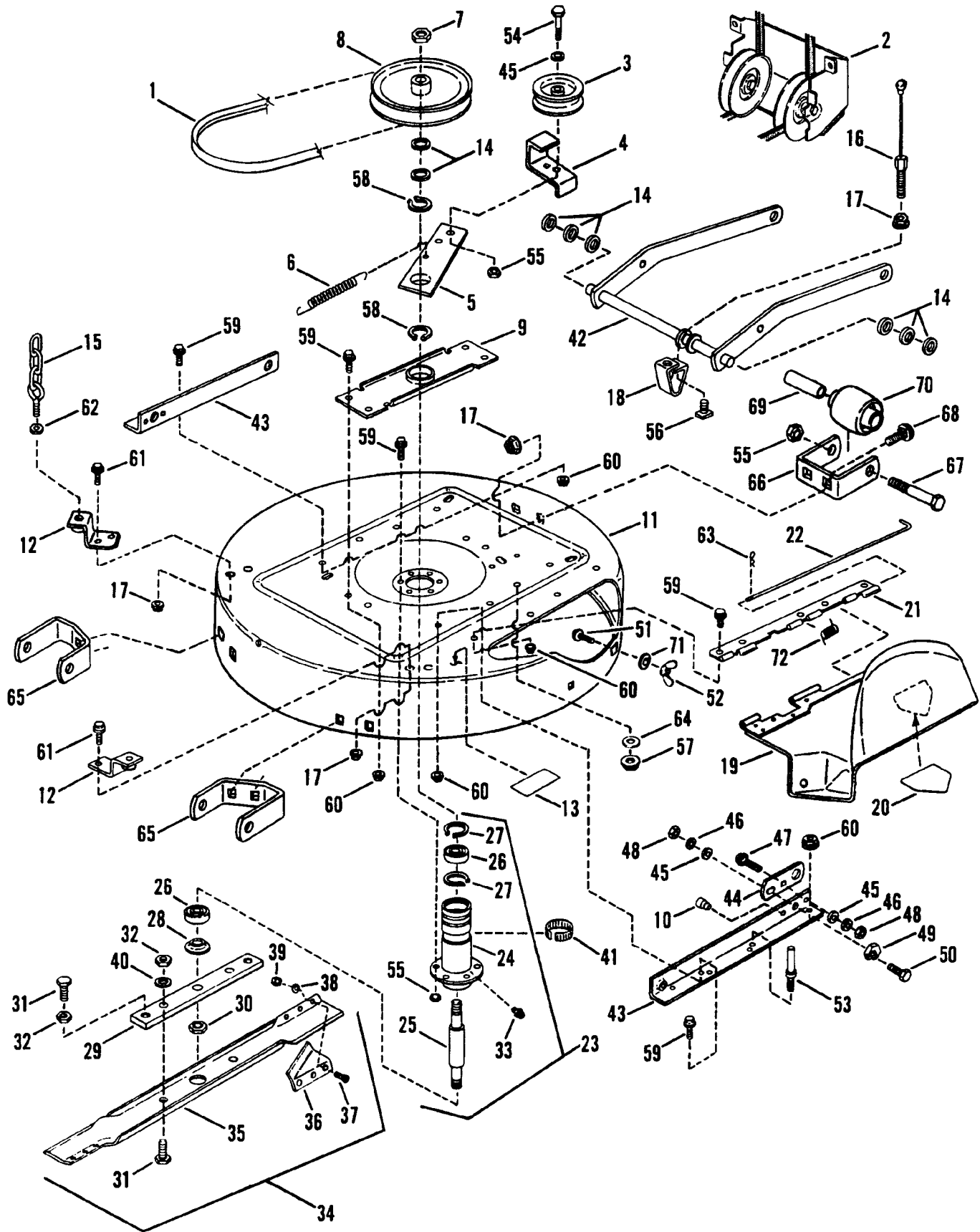


## REAR LIFT ARM



## FRONT LIFT BRACKET

# 33" CUTTING DECK, BELTS





## 33" CUTTING DECK, BELTS

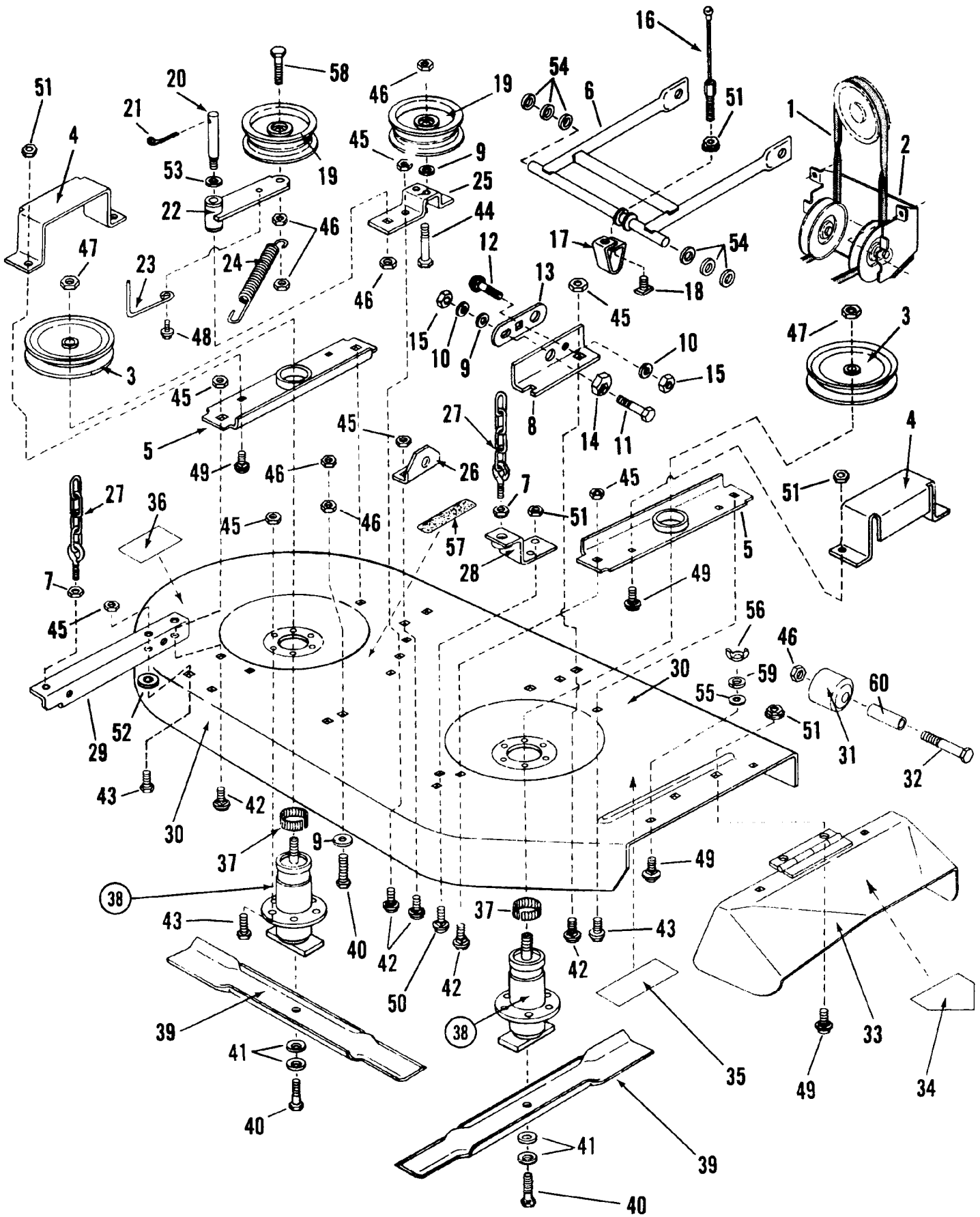
ITEM	PART NO.	DESCRIPTION	ITEM	PART NO.	DESCRIPTION
1	1-4799	BELT, 33" Mower Drive (A101)	37	9-0228*	SCREW, 5/16-24 Machine (6)
2	5-7362	ASSEMBLY, Mule Drive (See Page 30 for parts breakdown)	38	9-0391*	WASHER, 5/16 Internal Tooth Lock (6)
3	1-8574	PULLEY, Idler (Flat)(4.12O.D.)	39	9-0223*	NUT, 5/16-24 Hex (6)
4	3-2341	GUIDE, Belt	40	9-0509	WASHER, 1/2" Internal Tooth Lock (2)
5	4-7841	ARM, Idler	41	1-2670	RING, Tolerance
6	1-4405	SPRING, Belt Tension	42	4-7870	WELDMENT, Front Lift Arm
7	1-0027	NUT, 3/4-16 Hex Jam	43	3-8194	RAIL- 33"
8	1-8581	PULLEY, 8" O.D.	44	3-2432	LINK- ADJUSTMENT
9	3-8018	BRACE, Spindle	45	9-0122	WASHER, 3/8 Flat (3)
10	1-4756	BUMPER BUTTON	46	9-0118	WASHER, 3/8 Split Lock
11	5-1917	DECK, 33" Cutter	47	9-0850	3/8-16 BOLT, x 3/4" Carriage
12	5-1533	ASY, Bracket Rear Lift (2)	48	9-0130	NUT, 3/8-16 Hex (2)
13	1-4416	DECAL, Caution, (Deflector/Adapter)	49	1-5012	RING, Adjustment
14	1-0935	WASHER, Shim (2)	50	9-0563	SCREW, 3/8-16 x 1" HHC (2)
15	5-1525	ASSEMBLY, 3/8 Bolt-Chain (2)	51	9-0001	BOLT, 5/16-18 x 3/4" Short Neck Carriage, Grade 5
16	1-5629	CABLE, Front Lift	52	9-0492	WING-NUT, 5/16-18
17	9-0585	NUT, 5/16 18 Hex Fl. Lock (5)	53	1-4583	STUD, Deck Stop
18	3-8043	BRACKET, Front Lift Hanger	54	9-0164	SCREW, 3/8-24 x 1-1/2" Hex Head Cap, Grade 2
19	5-1978	DEFLECTOR (Incl. item 20)	55	9-0289	NUT, 3/8-24 Hex Center Lock
20	1-3010	DECAL, Danger (Cut Finger)	56	9-0388	T-NUT, 5/16-18
21	3-9586	HINGE, Side Chute	57	9-0155	NUT, 3/8-24 Hex
22	3-1914	PIN, Hinge	58	1-0740	RING, Retaining (2)
23	5-9619	ASSEMBLY, Spindle (Includes items 24 thru 33)	59	9-0612	BOLT, 3/8-16 x 3/4" Hex Flange Lock (17)
24	5-1529	HOUSING, Spindle (Includes #33)	60	9-0613	NUT, 3/8-16 Hex Flange Lock (17)
25	2-7631	SPINDLE, Deck, 7.75"	61	9-0721	BOLT, 5/16-18 x 1/2" Hex Flange Lock, Grade 5 (4)
26	1-3313	BEARING, Spindle (2)	62	9-0665	NUT, 3/8-16 Hex Jam(2)
27	1-2491	RING, Retaining	63	1-5067	PIN, Hair Cotter
28	1-4407	WASHER, Spindle	64	9-0390	WASHER, 3/8 Int. Tooth Lock
29	3-7751	HOLDER, Blade	65	3-8450	BRACKET, Gage Wheel (Rear) (2)
30	9-0356	NUT, 5/8-18 Hex Ctr. Lock	66	3-8451	BRACKET, Front Gage Wheel
31	9-0392	SCREW, 1/2-20 x 1" Hex Head Cap, Grade 5 (4)	67	9-0859	SCREW, 3/8-24 x 3-3/4" Hex Head Cap Grade 5 (3)
32	9-0559	NUT, 1/2-20 Hex Jam (4)	68	9-0004	BOLT, 5/16-18 x 1/2" Square Neck Carriage, Gr. 5 (6)
33	1-0817	FITTING, Lube (2)	69	1-5272	SPACER (3)
34	5-7482	ASY, Blade & Air Lift (Includes items 35 thru 39)	70	1-9190	WHEEL, Gage (3)
35	1-9523	BLADE, 33" Mower Deck	71	9-0188	WASHER, 5/16 Flat
36	3-7723*	AIR-LIFT (2)	72	1-2303	SPRING, Hinge

**NOTE:**

For Complete Cutter Unit,  
order the following number:  
33" Replacement Deck-  
Complete Unit 6-0828

\*AIR LIFT KIT No. 6-0480 Includes 2 ea. No. 3-7723,  
6 ea. No. 9-0228, 6 ea. No. 9-0391, 6 ea. No. 9-0223.

# 41" CUTTING DECK

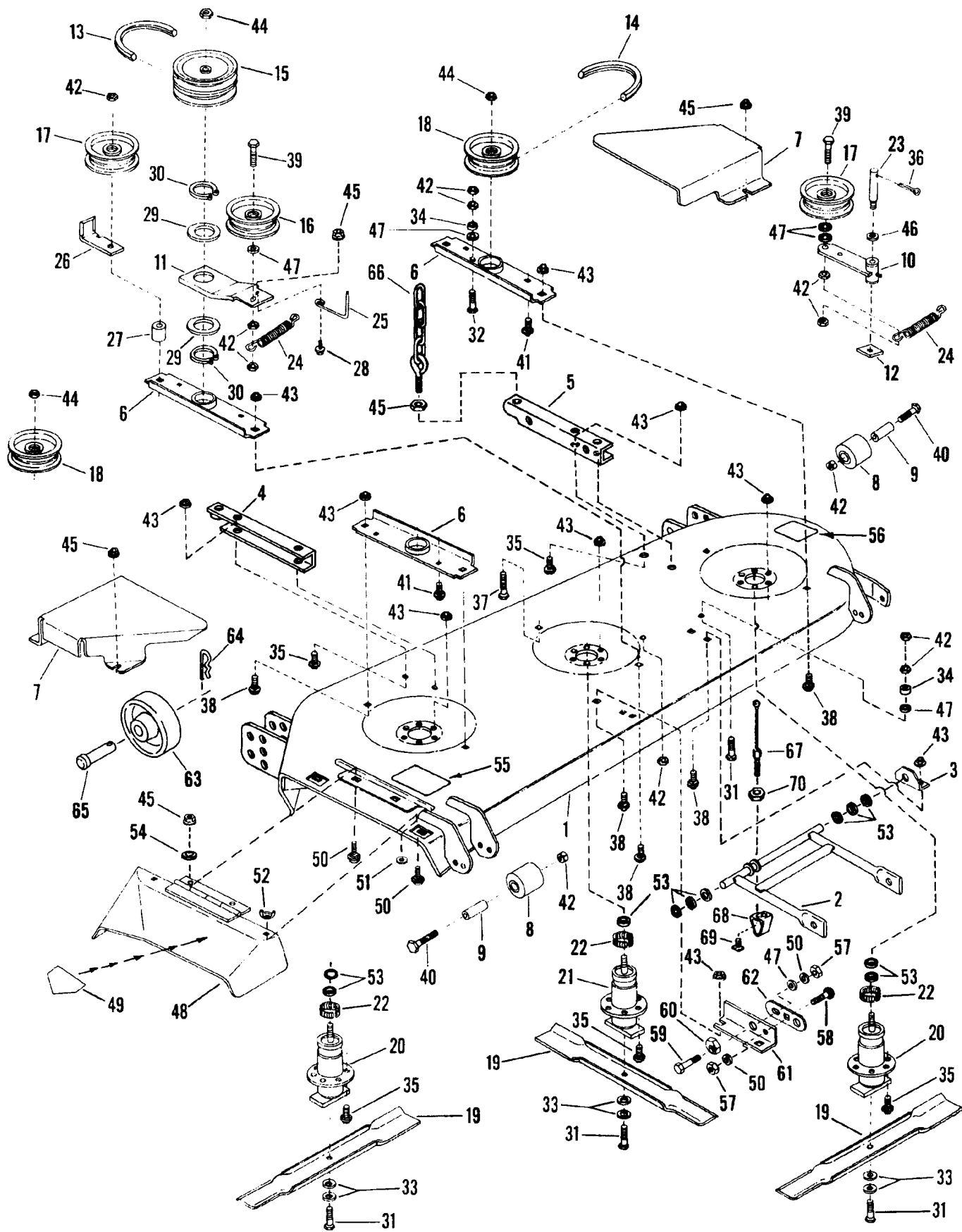


# 41" CUTTING DECK

ITEM	PART NO.	DESCRIPTION	ITEM	PART NO.	DESCRIPTION
1	1-4800	BELT, 41" Mower (A137)	34	1-3010	DECAL, Danger
2	5-7362	ASSEMBLY, Mule Drive (See pg. 30 for parts breakdown)	35	1-4852	DECAL, Caution (Deflector)
3	1-4397	PULLEY, 5-3/4" O.D. (2)	36	1-4853	DECAL, Caution (Rot. Blades)
4	3-8080	GUARD, Pulley (2)	37	1-2670	RING, Tolerance, 3/4" (2)
5	3-8078	BRACE, Spindle (2)	38	5-1473	ASY, Spindle (refer to pg. 28)
6	4-9724	WELDMENT, Front Lift Arm	39	1-9795	BLADE, 21" Cutter (2)
7	9-0665	JAM-NUT, 3/8-16 Hex (2)	40	9-0824	SCREW, 3/8-24 x 1-1/4" Hex Head Cap, Grade 5 (3)
8	3-8181	BRACKET, Right Front	41	1-2063	CONE-WASHER (4)
9	9-0122	WASHER, 3/8 Flat (3)	42	90136	Carriage Bolt, 3/8"-16x3/4" (9)
10	9-0118	WASHER, 3/8 Split Lock	43	9-0612	BOLT, 3/8-16 x 3/4" HFL (9)
11	9-0563	SCREW, 3/8-16 x 1" Hex Head	44	9-0483	SCREW, 3/8-24 x 1-3/4" Hex Head cap, Grade 5 (2)
12	9-0850	BOLT, 3/8-16 x 3/4" Square Neck Carriage, Grade 5	45	9-0613	NUT, 3/8-16 Hex Fl. Lock (18)
13	3-2432	LINK, Adjustment	46	9-0289	NUT, 3/8-24 Hex Ctr. Lk.(12)
14	1-5012	RING, Adjustment	47	9-0820	NUT, 3/4-16 Jam Lock (2)
15	9-0130	NUT, 3/8-16 Hex (2)	48	9-0741	SCREW, 1/4-20 x 5/8" HWST
16	1-5629	CABLE, Front Lift	49	9-0799	BOLT, 5/16-18 x 5/8" Square Neck Carriage, Grade 5 (8)
17	3-8043	BRACKET, Fr. Lift Arm Hanger	50	9-0721	BOLT, 5/16-18 x 1/2" Hex Flange Lock, Grade 5 (2)
18	9-0388	T-NUT, 5/16-18	51	9-0585	NUT, 5/16-18 Hex Flange Lock, Grade 5 (11)
19	1-8585	PULLEY, 4.1 O.D. (2)	52	2-0984	WASHER, 3/8 Flat
20	1-4408	STUD, Idler (3/8-24)	53	9-0183	WASHER, 5/8 Flat
21	9-0041	COTTER-PIN, 1/8 x 1"	54	1-0935	WASHER, Spacer (4)
22	5-1399	ASY, Idler Arm (Incl. two 1-4409 bushings & 1-3864)	55	1-1791	RETAINER, 5/16 Bolt (2)
23	1-4410	GUIDE, Belt	56	9-0375	WING-NUT, 5/16-18 (2)
24	1-4513	SPRING, Idler Arm	57	1-2929	PAD
25	3-8079	BRACKET, Idler	58	9-0167	SCREW, 3/8-24 x 2" Hex Head Cap, Grade 5
26	3-2297	BRACKET, Front Left Hanger	59	9-0187	WASHER, 5/16 Split Lock (2)
27	5-1525	ASY, 3/8 Bolt/Chain (2)	60	1-5272	SPACER (4)
28	5-1532	BRKT, Rear Rt. Supp. (1985)			
29	5-7385	BRKT, Rear Left Supp.(1985)			
30	4-9960	MOWER DECK, 41"			
31	1-5273	WHEEL, Gage (4)			
32	9-0859	SCREW, 3/8-24 x 3-3/4" Hex Head Cap, Grade 5 (4)			
33	5-1401	DEFLECTOR, (Side Chute) (Includes Decal, item 34)			

**NOTE:**  
**For Complete Cutter Unit,**  
**order following number:**  
**41" Replacement Deck-**  
**Complete Unit 6-1845**

# 48" CUTTING DECK, BELTS, PULLEYS



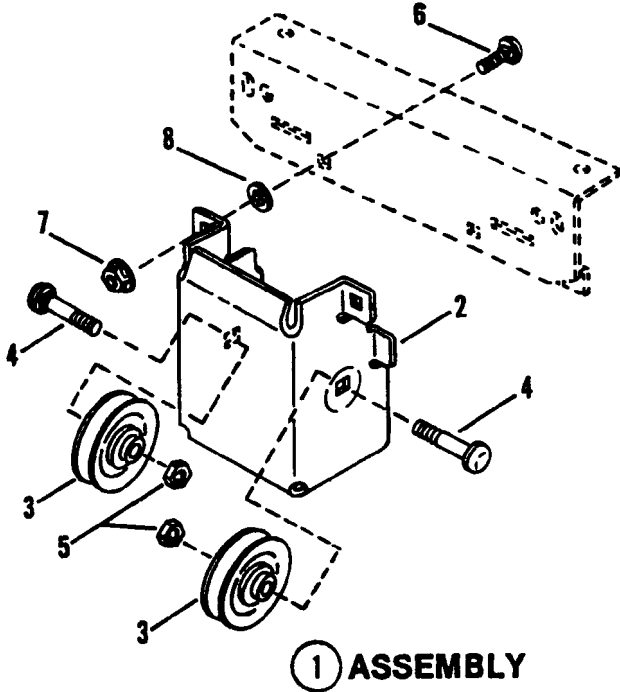
# ATTACHMENT

# 48" CUTTING DECK, BELTS, PULLEYS

ITEM	PART NO.	DESCRIPTION	ITEM	PART NO.	DESCRIPTION
1	4-9961	DECK STRUCTURE- 48"	36	9-0041	PIN, 1/8 x 1" Cotter
2	4-9724	ARM, Front Lift	37	9-0169	SCREW, 3/8-24 x 2-1/2" Hex Head Cap
3	3-2297	BRACKET, Front Hanger	38	9-0136	BOLT, 3/8-16 x 3/4" Square Neck Carriage, Grade 2 (9)
4	5-7384	SUPPORT, Rear Right (1985)	39	9-0167	SCREW, 3/8-24 x 2" Hex Head Cap, Grade 5
5	5-7383	SUPPORT, Rear Left (1985)	40	9-0859	SCREW, 3/8-24 x 3-3/4" Hex Head Cap, Grade 5 (2)
6	3-8078	BRACE, Spindle (3)	41	9-0799	BOLT, 5/16-18 x 5/8" Square Neck Carriage, Grade 5 (4)
7	3-5054	GUARD, Pulley (2)	42	9-0289	NUT, 3/8-24 Hex Ctr. Lock (8)
8	1-9190	ROLLER (2)	43	9-0613	NUT, 3/8-16 Hex Fl. Lock (22)
9	1-5272	SPACER (2)	44	9-0820	NUT, 3/4-16 Lock (3)
10	5-1475	ASSEMBLY, Idler Arm	45	9-0585	NUT, 5/16-18 Hex Fl. Lock (4)
11	3-8156	IDLER ARM, Center	46	9-0183	WASHER, 5/8 SAE
12	1-4805	WASHER- Square	47	9-0122	WASHER, 3/8 SAE (2)
13	1-4801	V-BELT, Drive- A92	48	5-1401	ASSEMBLY, Side Chute (Includes item 49)
14	2-4497	BELT, Deck- AA105	49	1-3010	DECAL, Danger
15	1-4545	PULLEY, Double (4-3/4")	50	9-0118	WASHER, 3/8 Split Lock (2)
16	1-8585	PULLEY, Flat Idler (4.8 O.D.)	51	9-0187	WASHER, 5/16 Split Lock (2)
17	1-8651	PULLEY, V-Idler (4-1/2" O.D.)	52	9-0375	WING-NUT, 5/16-18 (2)
18	1-4544	PULLEY, 4-3/4" O.D. (2)	53	1-0935	WASHER, 3/4 I.D. (4)
19	1-9733	BLADE, 16.5 (3)	54	1-1791	RETAINER, 5/16 Bolt (2)
20	5-1473	ASSEMBLY, Spindle (2) (See page 30 for breakdown)	55	1-4852	DECAL, Caution
21	5-1528	ASSEMBLY, Spindle (See page 31 for breakdown)	56	1-4853	DECAL, Caution
22	1-2670	TOLERANCE RING, 3/4" (3)	57	9-0130	NUT, 3/8-16 Hex (2)
23	1-4408	IDLER STUD	58	9-0850	BOLT, 3/8-16 x 3/4" Short Square Neck Carr., Gr. 2
24	1-4513	SPRING (2)	59	9-0563	SCREW, 3/8-16 x 1" Hex Head Cap, Grade 5
25	1-4410	BELT GUIDE	60	1-5012	RING, Adjustment
26	3-2368	BELT GUIDE	61	3-8181	BRACKET, Right Front
27	2-1945	SPACER	62	3-2432	LINK, Adjustment
28	9-0788	BOLT, 5/16-18 x 3/4" Short Square Neck, Grade 5	63	1-8445	WHEEL, 6.00" Gage (2)
29	1-4795	WASHER, Plastic (2)	64	1-3844	PIN, Hair Cotter (2)
30	1-0740	RING, 2" Ext. Retaining (2)	65	1-4857	PIN, 1/2 x 3" Clevis (2)
31	9-0824	SCREW, 3/8-24 x 1-1/4" Hex Head Cap, Grade 5 (4)	66	5-1525	ASSEMBLY, Bolt/Chain (2)
32	9-0164	SCREW, 3/8-24 x 1-1/2" Hex Head Cap, Grade 2	67	1-4355	CABLE, Front Lift (8")
33	1-2063	WASHER, Cone (6)	67A	1-5629	CABLE, Front Lift (8.32")
34	1-4527	SPACER (2)	68	3-8043	BRACKET, Front Lift Hanger
35	9-0612	BOLT, 3/8-16 x 3/4" Hex Flange Lock (13)	69	9-0388	T-NUT, 5/16-18
			70	9-0665	NUT, 3/8-16 Hex Jam (2)

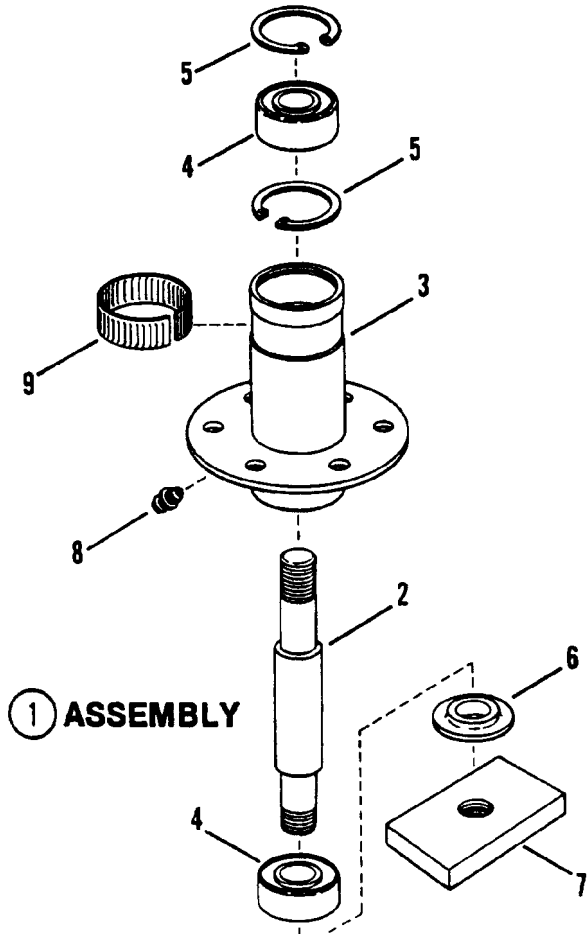
**NOTE:**  
For Complete Cutter Unit,  
order following number:  
48" Replacement Deck-  
Complete Unit 6-1846

## MULE DRIVE ASSEMBLY



ITEM	PART NO.	DESCRIPTION
1	5-7362	ASSEMBLY, Mule Drive (Includes items 2 thru 8)
2	4-7860	BRACKET, Mule Drive
3	1-8651	PULLEY, Belt Idler (2)
4	9-0791	BOLT, 3/8-16 x 1-1/2" Short Square Neck Carriage, Grade 5 (2)
5	9-0499	NUT, 3/8-16 Hex Top Lock (2)
6	9-0850*	BOLT, 3/8-16 x 3/4" Square Neck Carriage, Grade 2
7	9-0613*	NUT, 3/8-16 Hex Flange Lock
8	1-3847*	RETAINER, 3/8 Bolt

## SPINDLE ASSEMBLY (41" & 48" OUTBOARD)



ITEM	PART NO.	DESCRIPTION
1	5-1473	ASSEMBLY, Spindle (Includes items 2 thru 8)
2	2-7632	SPINDLE, 6.06"
3	5-1472	HOUSING, Spindle (Incl. Item 8)
4	1-3313	BEARING, Spindle (2)
5	1-2491	RING, Retaining (2)
6	1-4407	WASHER, Spindle
7	3-2294	HOLDER, Blade
8	1-0817	FITTING, Lube
9	1-2670*	RING, Tolerance

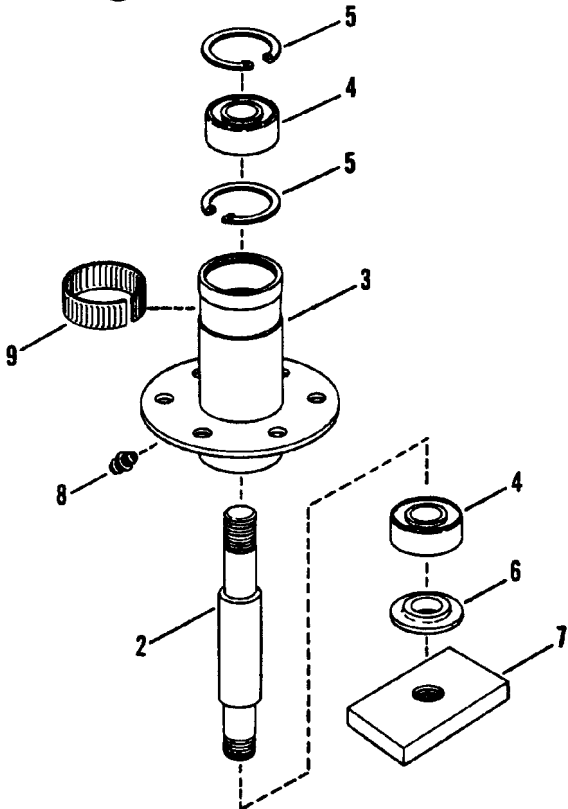
\*Order Separately

MANUAL No. 06516 (8/99)

YT12/16D SERIES 4 TRACTORS

## SPINDLE ASSEMBLY (48" CENTER)

### ① ASSEMBLY

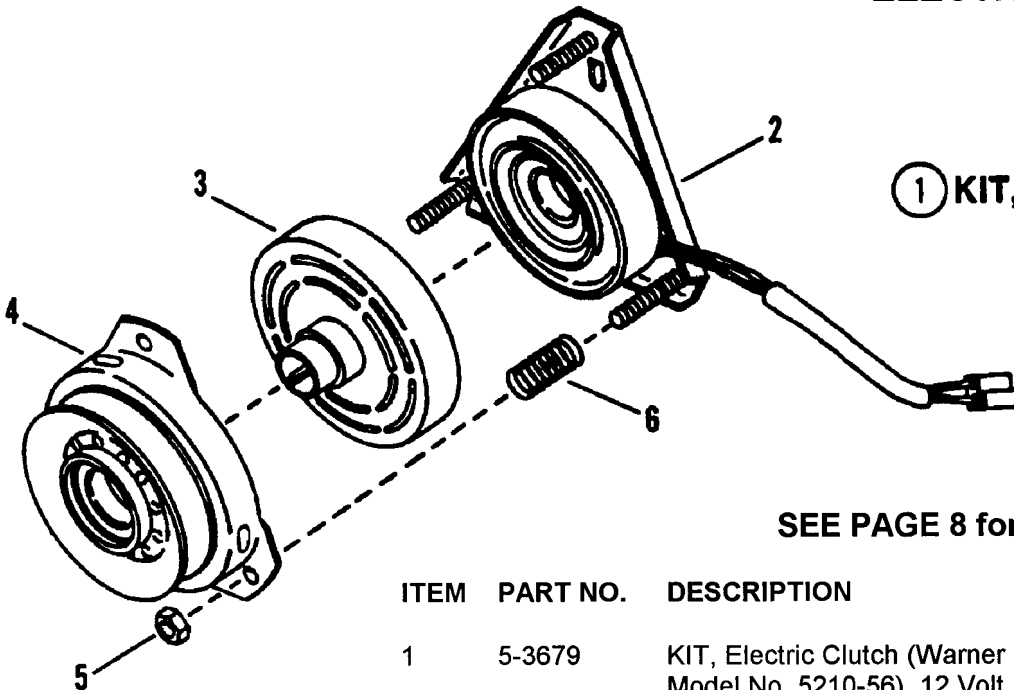


ITEM	PART NO.	DESCRIPTION
1	5-1528	ASSEMBLY, Spindle (Includes Items 2 thru 8)
2	2-7641	SPINDLE, 7.25"
3	5-1527	HOUSING, Spindle (Incl. Item 8)
4	1-3313	BEARING, Spindle
5	1-2491	RING, Retaining (2)
6	1-4407	WASHER, Spindle
7	3-2294	HOLDER, Blade
8	1-0817	FITTING, Lube
9*	1-2670	RING, Tolerance

\*Order Separately

## ELECTRIC CLUTCH ASSEMBLY

### ① KIT, ELECTRIC CLUTCH



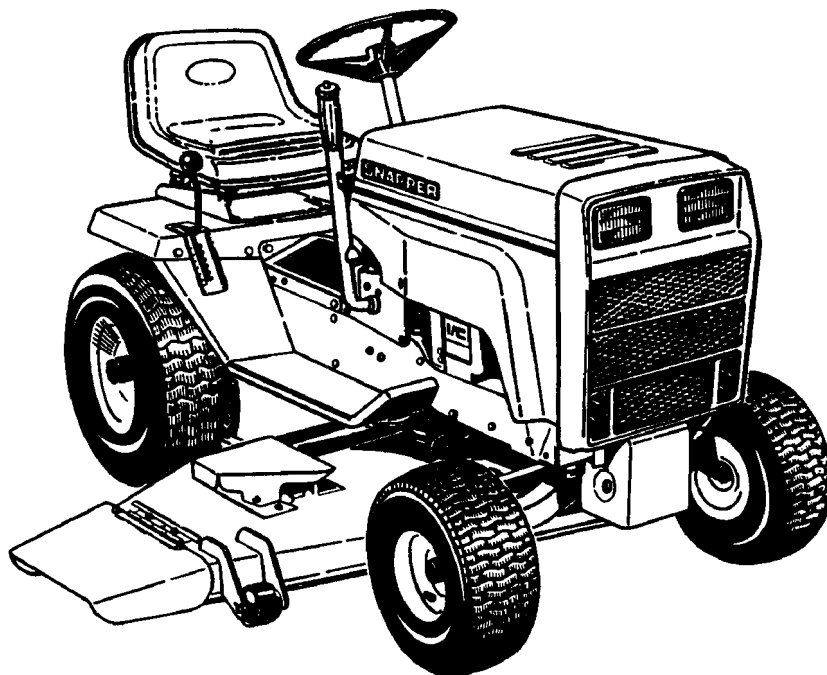
SEE PAGE 8 for Clutch Retaining Hardware

ITEM	PART NO.	DESCRIPTION
1	5-3679	KIT, Electric Clutch (Warner Electric Model No. 5210-56) 12 Volt, 4 AMP Draw
2	1-4947	FIELD COIL (Includes Ball Bearing)
3	1-4948	ROTOR
4	1-4949	ASSEMBLY, Arm-Pulley (Includes Ball Bearing)
5	9-0854	NUT, 3/8-24 Hex Nyloc (3)
6	1-4950	COIL SPRING (3)

*Parts Manual for*

# **SNAPPER**<sup>®</sup>

## **YT12D & YT16D SERIES 4 YARD TRACTORS & MOWER ATTACHMENTS**



IT IS THE POLICY OF SNAPPER TO IMPROVE ITS PRODUCTS WHENEVER IT IS POSSIBLE AND PRACTICAL TO DO SO. WE RESERVE THE RIGHT TO MAKE CHANGES OR ADD IMPROVEMENTS AT ANY TIME WITHOUT INCURRING ANY OBLIGATION TO MAKE SUCH CHANGES ON PRODUCTS MANUFACTURED PREVIOUSLY.

**SNAPPER** McDonough, GA., 30253 U.S.A.

COPYRIGHT © 1999  
SNAPPER INC.  
ALL RIGHTS RESERVED

**MANUAL No. 06516**

**(8/99 ISSUE)**

**Printed in U.S.A.**