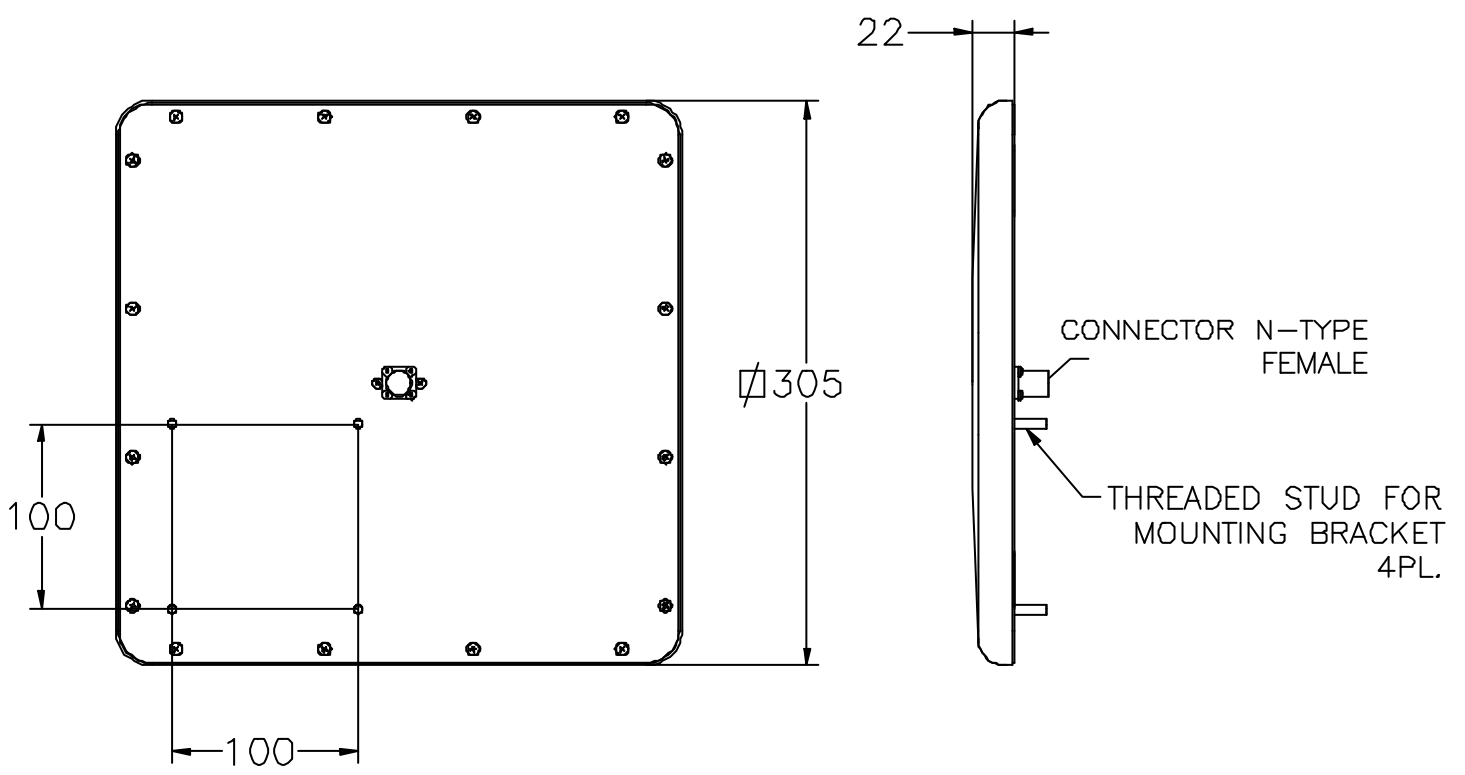


5.8 GHz Subscriber Antenna

| MTI part No. | MT-485002 |
|-------------------------|---|
| Type | Planar Array |
| Regulatory Compliance | ETSI EN 302 085 V1.1.2 (2001-02) |
| Electrical | |
| Frequency Range | 5.15-5.35 GHz and 5.725-5.875 GHz |
| Gain | 23 dBi (min) |
| VSWR | 1.7:1 (max) |
| 3 dB BW | 9 (typ) |
| Polarization | Linear (Vertical or Horizontal) |
| Cross Polarization | -28 dB (max) |
| Sidelobe Level | ETSI EN 302 085 V1.1.2 (2001-02) Range 1TS1-TS3 |
| F/B Ratio | -32 dB (max) |
| Lightning Protection | DC Grounded |
| Mechanical | |
| Dimensions (LxWxD) | 305 x 305 x 25mm |
| Weight | 1.5 kgs |
| Connector | N-Type Female* |
| Temperature (operating) | -45C to +70C |
| Wind Load (Survival) | 220 km/hr |
| Radial Ice Load | 25 mm |
| Mounting Kit | MT-50001 + MT-120018 |

* Also available with SMA connector



MT-485002 TYPICAL RADIATION PATTERN

