



Model  
HCC-W08ES-A1  
HCC-W10ES-A1

Electronic Window Air Conditioner  
**Operating Instructions**



Thank you for choosing a Soleus Air Air Conditioner. This owner's manual will provide you with valuable information necessary for the proper care and maintenance of your new product. Please take a few moments to thoroughly read the instructions and familiarize yourself with all the operational aspects of your new air conditioner.

For your own records, please attach a copy of your sales receipt to this manual. Also, write the store name/location, date purchased, and serial number below:

Store Name: \_\_\_\_\_

Location: \_\_\_\_\_

Date Purchased: \_\_\_\_\_

Serial Number (located on back of unit): \_\_\_\_\_

## IMPORTANT SAFETY INSTRUCTIONS

**Before installing and using your air conditioner, please read this owner's manual carefully. Store this manual in a safe place for future reference. Your safety and the safety of others is very important to us. Please pay attention to all safety messages outlined in this owner's manual.**

**WARNING: To reduce the risk of fire, electrical shock or injury when using your air conditioner, follow the following basic precautions:**

- |   |  |
|---|--|
| <ul style="list-style-type: none"><li>• Plug into a grounded 3 prong outlet.</li><li>• Do not remove the ground prong.</li><li>• Do not use a plug adapter.</li></ul> | <ul style="list-style-type: none"><li>• Do not use an extension cord.</li><li>• Unplug the air conditioner before servicing</li><li>• Use two or more people to move and install the air conditioner</li></ul> |
|---|--|



This is a safety alert symbol.

This symbol alerts you to potential hazards that can harm you or others or even cause death.

All safety messages will directly follow the safety alert symbol and/or the words "DANGER" or "WARNING".

**⚠ DANGER**

**⚠ WARNING**

Failure to immediately follow these instructions may cause serious injury or even death.

All Safety messages alert you of potential hazards, how to reduce the chance of injury, and what can happen if instructions are not followed correctly.

## LCDI POWER CORD AND PLUG

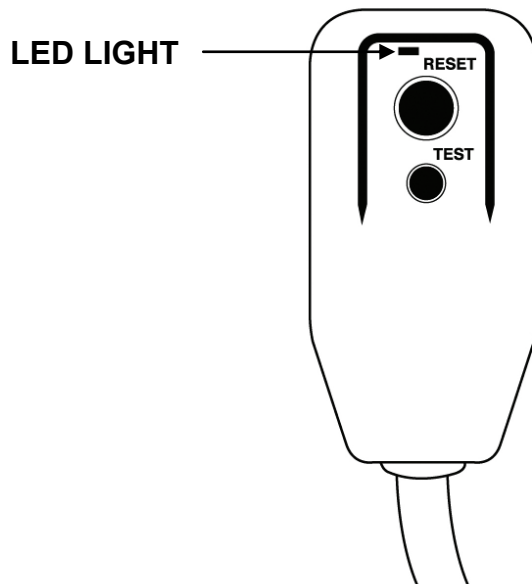
This air conditioner is equipped with an LCDI (Leakage Current Detection and Interruption) power cord and plug as required by US National Electric Code 440.65. This cord consists of a length of shielded flexible cord with no termination on the load side and a LCDI attachment plug on the line side.

The LCDI power cord and plug will remove the supply source via electrical disconnect (circuit trip) if the nominal current leakage between the cord shield and either load conductor exceeds a predetermined value. The cord will remain de-energized until the device has been manually reset. This is intended to reduce the risk of a fire in the power cord or combustible materials nearby. The cord shields are not grounded and they must be considered a shock hazards if exposed. The cord shield must not be connected to ground or to any exposed metal.

The test and reset buttons on the LCDI Plug are used to check if the plug is functioning properly. To test:

1. Plug power cord into wall outlet. The LED light will turn on.
2. Press TEST Button, circuit should trip, cutting power to the air conditioner. When this occurs, the LED light will turn off.
3. Press RESET button to restore power to the machine. Once power is restored, the LED light will turn on again.

If test button is pressed and unit can still be turned on, current leakage has been detected. Do not use the air conditioner or attempt to reset the LCDI Plug. Contact Soleus Air Customer Service for troubleshooting recommendations.

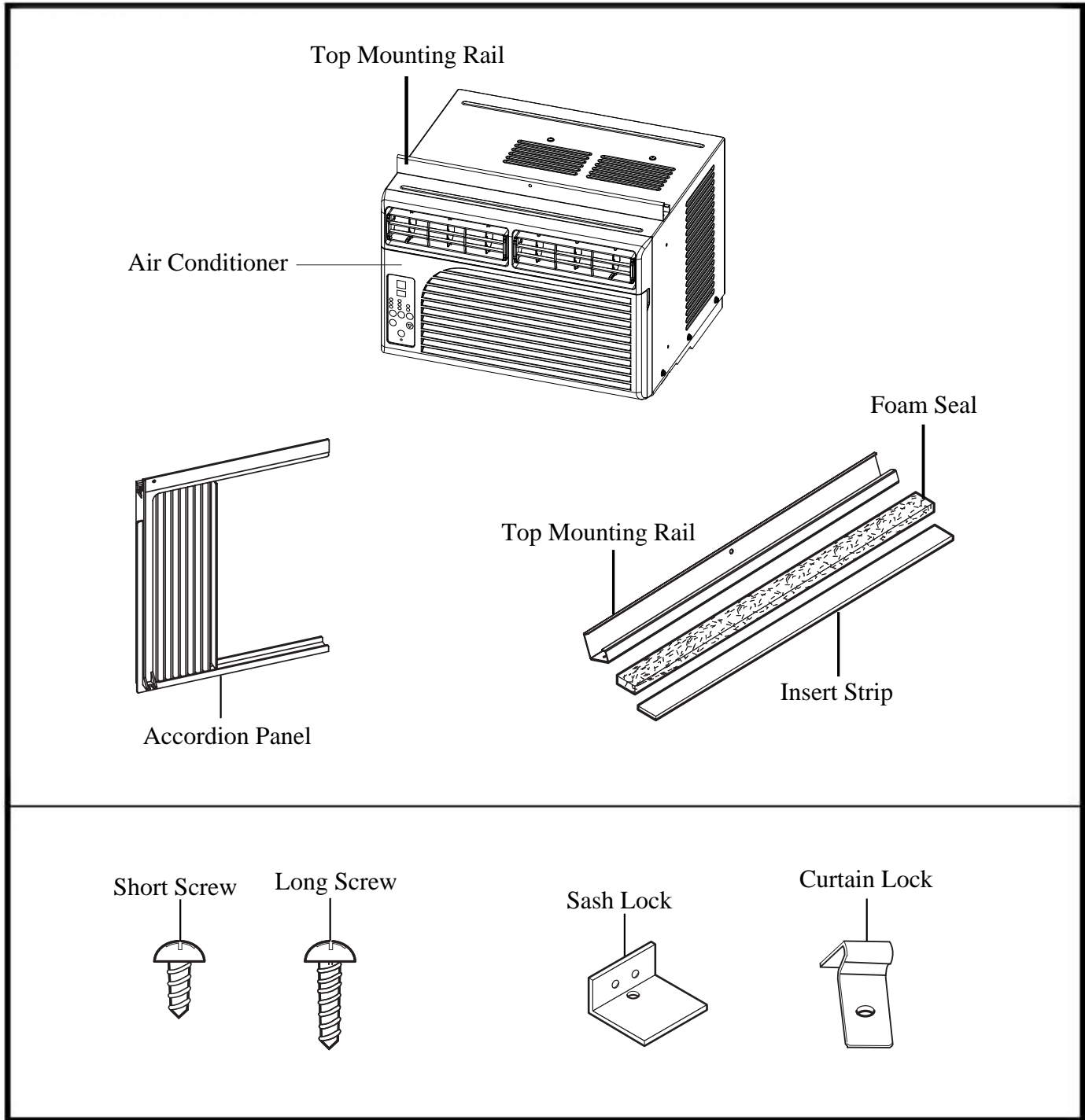


**Note: Your units power cord and plug may differ from the one shown.**

**WARNING:**

1. DO NOT press the TEST button while the air conditioner is operating.
2. The TEST and RESET buttons should not be used as “ON” and “OFF” switches.
3. The cord and plug are not intended to offer protection to externally connected loads or supply circuits.
4. The cord and plug are intended for indoor use only.

## PACKING LIST



### Packing List:

- Window Air Conditioner (1)
- Remote Control (1)
- AAA Batteries (2)
- Top Mounting Rail (1)
- Insert Strip (1)
- Short Screw (8)
- Accordion Panels (2)
- Sash Lock (2)
- Foam Seal (1)
- Long Screw for Window Locking Bracket & Accordion Panels (12)
- Curtain Lock (2)
- Owner's Manual (1)

## SPECIFICATIONS

- Noise level is measured at a distance of 3.28 ft away from the front of the unit in cooling mode.
- Power consumption is measured when the fan runs at the highest speed setting.
- These specifications are for reference only. For actual data, please refer to the rating label on the back of the unit.

| Model                             | HCC-W08ES-A1        | HCC-W10ES-A1             |
|-----------------------------------|---------------------|--------------------------|
| Power Supply (Ph/V/Hz)            | 1/115/60            | 1/115/60                 |
| Rated Cooling Capacity (BTU/h)    | 8,000               | 10,000                   |
| Cooling Power Input (Watts)       | 708                 | 885                      |
| Rated Current Cooling (Amperage)  | 6.8                 | 7.9                      |
| EER/C.O.P                         | 11.3                | 11.3                     |
| Noise Level dB(A) (H/M/L)         | 61/59/58            | 59/57/55                 |
| Air Flow (H/M/L) CFM              | 265/247/229         | 265/247/229              |
| Dehumidifying Capacity            | 42 Pints per day    | 55 Pints per day         |
| Product Dimensions (W" x D" x H") | 19 x 19.25 x 14.625 | 19 x 21.5 x 14.375       |
| Package Dimensions (W" x D" x H") | 22.5 x 21.25 x 17   | 22.875 x 24.625 x 16.875 |
| Net/Gross Weight (lbs)            | 57.3/63.9           | 79.3/83.8                |
| Refrigerant Type                  | R-410A              | R-410A                   |
| Plug Type                         | NEMA 5-15P          | NEMA 5-15P               |

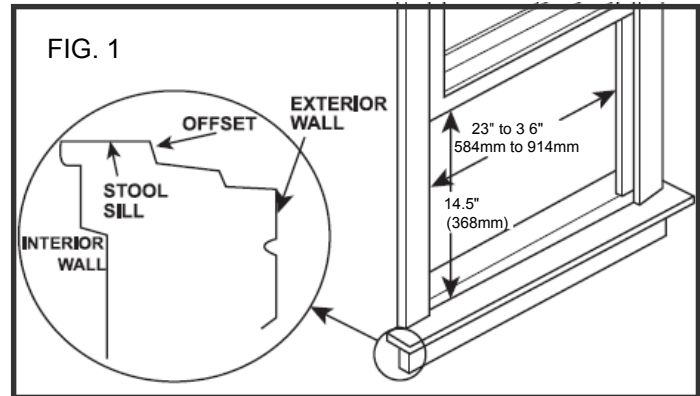
## DISCLAIMER

ALL INFORMATION AND THE TECHNICAL SPECIFICATIONS PRESENTED IN THIS USER'S MANUAL ARE THE PRESENTATION OF THE MANUFACTURER. SOLEUS HOME COMFORT HAS NOT CONDUCTED INDEPENDENT TEST TO THE INFORMATION AND THE SPECIFICATIONS PRESENTED HEREWITHIN.

## INSTALLATION & ASSEMBLY INSTRUCTIONS

Some assembly is required for your new air conditioner. Please read and follow these instructions carefully.

1. This air conditioner is designed to be installed in a standard double-hung window with a window width between 23" and 36" (584 mm - 914 mm).
2. The air conditioner can be installed without the accordion panels to fit in a narrow window opening. See the window dimensions.
3. The Lower Sash (the lower part of the window that moves up and down) must allow for 14.5" (368mm) of vertical clearance when open. (See FIG. 1).
4. All supporting parts must be secured to firm wood, masonry, or metal.
5. The electrical outlet must be within reach of the power cord.



NOTE: Save the product packaging and installation instructions for future reference. Store the air conditioner in the product box when not in use for an extended period of time.

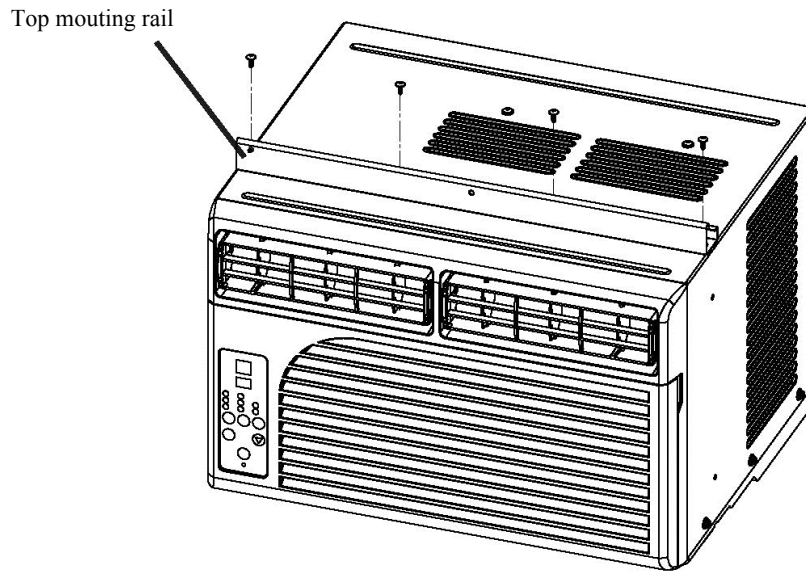
### CAUTION

When handling the unit, be careful to avoid cuts from the sharp metal edges and aluminum fins on the front and rear coils.

## TOP RAIL INSTALLATION

NOTE: Top Rail and the side Panels are offset to provide the proper pitch to the rear of (5/16"). This is necessary for proper condensation utilization and drainage. If you are not using the side panels, the rear pitch must still be maintained.

1. Attach the top rail onto the top of the outer case using four Short Screws.

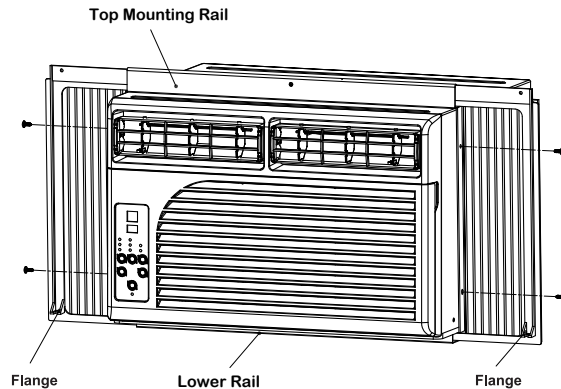


## ASSEMBLY & INSTALLATION (CONT.)

### Accordion Panel Installation

Now that you have installed the top rail, you can now install the accordion panels on each side.

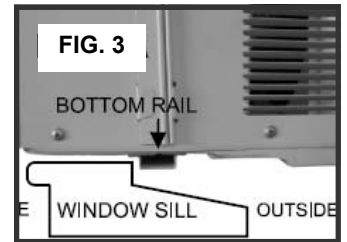
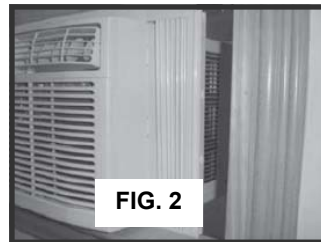
1. Place the air conditioner on a hard flat surface.
2. Locate the accordion panels in the box.
3. Insert the side curtains into the upper and lower rails of the air conditioner. Fasten the curtains to the unit with short screws as shown below.



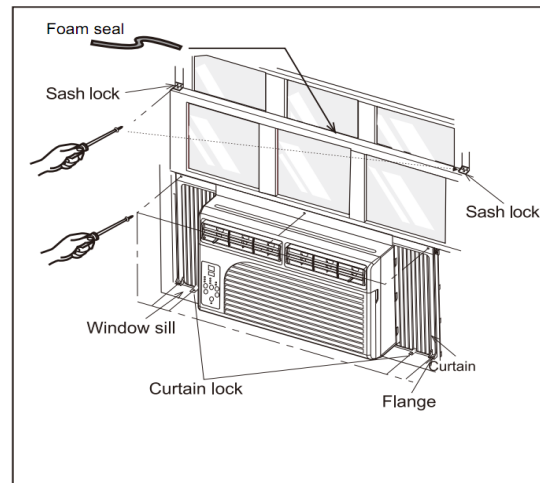
4. Slide the free end of the accordion panel into the side panel of the air conditioner. Do this for each side. The flange for securing the curtain into the window sill will be facing the room side when installed.

### Placing the Unit Inside a Normal Window

1. Place the air conditioner on the sill with the bottom mounting rail against its back edge. Center the air conditioner and close the window securely behind the top mounting rail. The air conditioner should be slightly tilted to the outside area. Use a level; about a 1/3 bubble will be the correct case slant to the outside. (See FIG. 2 & FIG. 3)



2. Once the air conditioner is placed, extend both the left and right accordion panels to the width of the window.
3. Place the curtain lock between the curtain extensions and the window sill, drive long screws through the lock and into the sill as shown below.



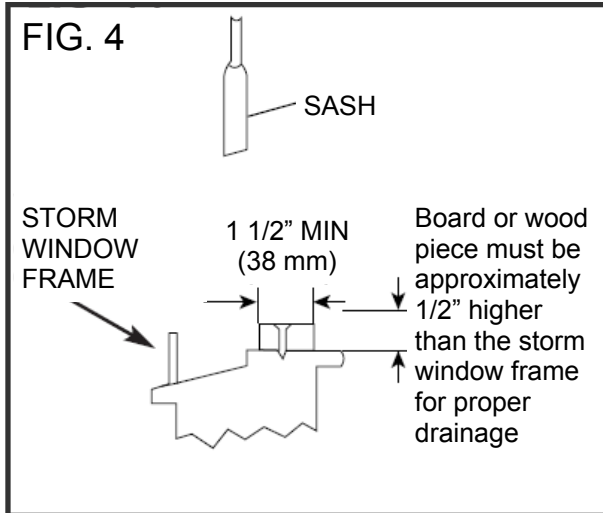
4. Secure the left and right flanges on end bottom side of the panel with long screws.
5. Drive long screws through upper frame holes into window sash.
6. Attach the sash lock to the place between the upper and lower sashes and secure it with long screws. Each side use 2 long screws.
7. Cut the foam seal to the window width and insert the sash seal between the glass and the window to prevent air and insects from getting into the room.
8. For added insulation, the insert strip can be inserted between the air conditioner and window sill. This is optional.



## ASSEMBLY & INSTALLATION (CONT.)

### IF AC is Blocked by a Storm Window

A storm window frame will not allow the air conditioner to tilt properly which in turn will keep it from draining properly. To adjust for this, attach a board or piece of wood to the sill. The board or wood piece should have a depth of at least 1 1/2". Make sure the board or piece of wood is approximately 1/2" higher than the storm window frame. This will allow the air conditioner to tilt enough for proper drainage. (See FIG. 4).

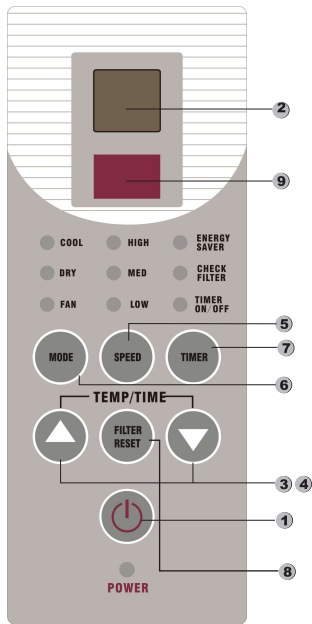


### Removing the Air Conditioner from the Window

1. Turn the air conditioner off, and disconnect the power cord.
2. Remove the sash seal from between windows, and unscrew sash lock.
3. Remove the screws installed through the frame and frame lock.
4. Close (slide) the side panels into frame.
5. Keeping a firm grip on air conditioner, raise the sash and carefully "rock" air conditioner backward to drain any condensate water in base of unit. Be careful not to spill any remaining water while lifting unit from window.
6. Store parts with the air conditioner in the box.

## USING YOUR AIR CONDITIONER Electronic Control Panel & Remote Control

NOTE: This display always shows the room temperature in Fan Mode except when setting the Set temperature or the Timer



### Normal Operating Sounds

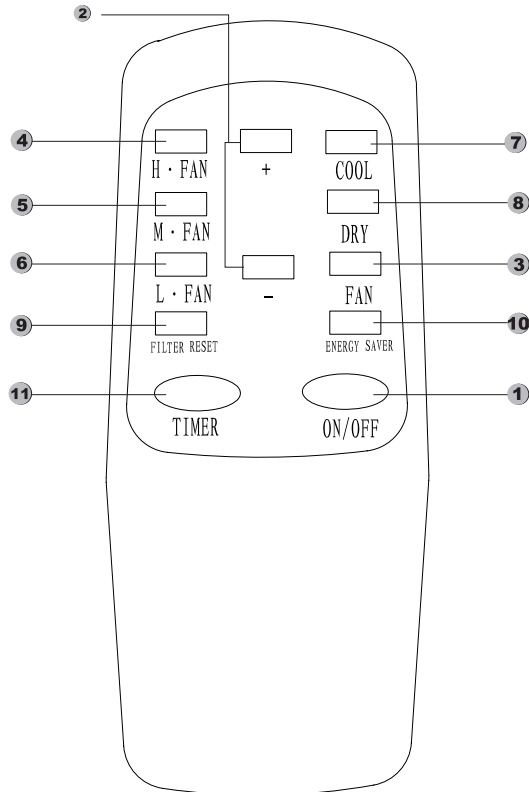
- You may hear a pinging noise caused by water hitting the condenser, on rainy days, or when the humidity is high. This design feature helps remove moisture and improve efficiency.
- You may hear the thermostat click when the compressor cycles on and off.
- Water will collect in the base pan during rain or days of high humidity. The water may overflow and drip from the outside part of the unit.
- The fan may run even when the compressor is not on.

- Power Button:** Turns the air conditioner on and off.
- Digital Display:** Under ON status without timer setting, the operation mode is Cool, Energy Saver or Dry mode, and the set temperature will be displayed. Under ON status without timer setting, the operation mode is Fan mode and the room temperature will be displayed. Time will be displayed under timer setting or timer preview.

- Temperature Set:** Use these buttons on the control panel and remote to increase or decrease the Set Temperature (the desired room temperature) in cooling, energy saver and dry mode. To switch between Celsius/Fahrenheit display, press the ▲/▼ buttons at the same time.
- Timer Set:** Use these buttons on the control panel and remote to set the Timer. Each press of the ▲/▼ buttons will increase or decrease the timer. For timer instructions see #7.
- Fan Speed:** Use the fan speed button to change the fan speed. Choose between low, medium, and high.
- Mode Button:** Press the mode button to cycle through the various modes: Energy Saver, Dry (Dehumidifier), Fan and Cool.
- Auto-on Timer:** When the air conditioner is off, it can be set to automatically turn on in 1-24 hours at the previous set mode and fan setting. To set the Auto-on Timer, press the **TIMER** button on the unit or remote control. The timer can be set in 1 hour increment. The hour indicator on the bottom right of the digital display will start flashing.
  - Auto-off Timer:** When the air conditioner is on, it can be set to automatically turn off in 1-24 hours. To set the Auto-off Timer, press the **TIMER** button on the unit or remote control. The timer can be set in 1 hour increment. The hour indicator on the bottom right of the digital display will start flashing.
    - To see the remaining time, press the **TIMER** Button. To change the timer setting use the ▲/▼ on the unit or the +/- buttons on the remote.
    - During preview of timer or timer setting, press Timer button on the panel or remote controller to cancel the timer setting.
- Filter Reset:** After the fan rotates for 250 total hours, the filter check light will turn on to remind the user to clean the filter. Press the Filter Reset button once the filter is cleaned to reset the reminder.
- Signal Receiver:** Point the remote control at the air conditioner when sending instruction to the unit.

# OPERATING YOUR AIR CONDITIONER

## REMOTE CONTROL



1. **ON/OFF** - Press the ON/OFF button to turn the A/C on or off. When the unit is turned off, the Timer function will be cancelled. The set temperature will be saved.
2. **"—"** - Press the "-" button to decrease the temperature when the unit is on. Stop pressing the button when the desired temperature is displayed. Temperature range: 61°F - 90°F.  
**"+"** - Press the "+" button to increase the temperature when the unit is on. Stop pressing the button when the desired temperature is displayed. Temperature range: 61°F - 90°F.
3. **FAN** - Press the FAN button to turn on fan mode.
4. **H · FAN** - Press this button to set the fan speed to high. Can be used in COOL or FAN mode.
5. **M · FAN** - Press this button to set the fan speed to medium. Can be used in COOL or FAN mode.
6. **L · FAN** - Press this button to set the fan speed to low. Can be used in COOL or FAN mode.

7. **COOL** - Press the COOL button to turn cooling mode on or off.
8. **DRY** - Press the DRY button to turn dehumidifying mode on or off. Fan speed can only be set to low in this mode.
9. **FILTER RESET** - Press the FILTER RESET button to turn off the "CHECK FILTER" LED light when on.
10. **ENERGY SAVER** - Press the ENERGY SAVER button to turn on energy saver mode. When the unit is in energy saver mode, the Energy Saver light will turn on. Selecting Energy Saver mode will cycle the fan off and on with the compressor to limit energy consumption. Use this feature when the room is unoccupied and a greater range of room temperature is acceptable.
11. **TIMER** - Press the TIMER button when the unit is off to set up the Auto-on timer. The hour indicator on the bottom right of the digital display will start flashing. Press the "+" or "-" button to set the timer within 1-24 hours. To cancel the timer, press the TIMER button again.

Press the TIMER button when the unit is on to set up the Auto-off timer. The hour indicator on the bottom right of the digital display will start flashing. Press the "+" or "-" button to set the time within 1-24 hours. To cancel the timer, press the TIMER button again.

Battery Size: AAA - NOTE: Do not mix old and new batteries or different types of AAA batteries.

## USING YOUR AIR CONDITIONER

- **Freezing Conditions:** This is a cooling only air conditioner. It is not designed for freezing outdoor conditions. It must not be used in freezing outdoor conditions.
- **Remote Control:** To ensure proper operation when using the remote control, aim the remote directly at the signal receiver on the air conditioner.
  - The remote control has a signal range up to 20 feet.
  - Make sure nothing is blocking the remote control signal from being received by the air conditioner.
  - Make sure the batteries are installed correctly and still have power.
- **Cooling Mode:** Use the COOL mode at Low, Medium, or High Fan speed when cooling is needed. Use the temperature ▲/▼ buttons to set the desired temperature between 61°F and 90°F.
  - Once the temperature is set, the compressor will cycle on and off to keep the room temperature at the set temperature level. The lower the set thermostat temperature, the cooler the room will become. The higher the set thermostat temperature, the warmer the room will become.
  - For Normal Cooling - Set the Mode to **Cool** and the Fan to **High** or **Med** with the temperature set in the middle.
  - For Maximum Cooling - Set the Mode to **Cool** and the Fan to **High** with a lower set temperature.
  - For Quieter & Nighttime Cooling - Set the Mode to **Cool** and the Fan to **Low** with the temperature set in the middle.

**NOTE:** If the air conditioner is off and is then turned on while set to a Cool setting or if turned from a fan setting to a Cool setting, it may take approximately 3 minutes for the compressor to start and cooling to begin.
- **Energy Saver Mode** - Controls the Fan
  - On** - The fan will cycle on and off with the compressor. This results in wider variations of room temperature and humidity. Normally used with the room is unoccupied. NOTE: The fan may continue to run for a short time after the compressor cycles off.
  - Off** - The fan runs all the time in fan or cooling mode.
- **Fan Only Mode:** Use **Fan Only** mode at **Low**, **Med**, or **High** fan speed to provide air circulation and filtering without cooling. Since fan only setting do not provide cooling, a **Set** temperature cannot be entered. The room temperature will appear in the display.
- **Loss of Power Protection:** If power to the air conditioner is lost or interrupted, the air conditioner will automatically re-start in the setting last used prior to power loss. Timer will be cancelled when power is lost or interrupted. You may need to set a new time if desired.
- **Air Direction:** Use the lever on the front air vents to adjust the direction of the airflow. You can direct the airflow left, right, up or down. The lever is located on the lower left and right side of the air vent.

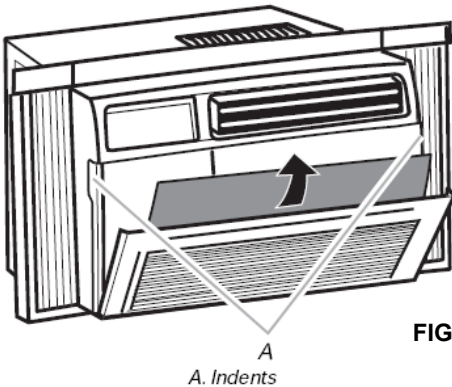
## CARE AND CLEANING

Clean your air conditioner to keep it looking new and to minimize dust build up.

### Air Filter Cleaning

The air filter should be checked at least once every month to see if it needs cleaning. Trapped particles and dust can build up in the filter and may decrease airflow as well as cause the cooling coils to accumulate frost. To clean the air filter:

1. Remove the filter by pulling down on the indents of the filter door on the front of the unit. (See FIG. 5)
2. Wash the filter using liquid dish soap and warm water. Rinse the filter thoroughly. Gently shake the filter to remove excess water.
3. Let the filter dry completely before placing it into the air conditioner.
4. If you do not wish to wash the filter, you may vacuum the filter to remove the dust and other particles.



### Wear and Tear

To minimize wear and tear on the air conditioner, always wait at least 3 minutes before changing modes. This will help prevent the compressor from overheating and the circuit breaker from tripping.

### Cabinet Cleaning

To clean the air conditioner cabinet:

- Unplug the air conditioner to prevent shock or a fire hazard. The cabinet and front panel of the air conditioner may be dusted with an oil-free cloth or washed with a cloth dampened in a solution of warm water and mild liquid soap. Rinse thoroughly with a damp cloth and wipe dry.
- Never use harsh cleaners, wax or polish on the cabinet front.
- Be sure to wring excess water from the cloth before wiping around the controls. Excess water in or around the controls may cause damage to the air conditioner.

### Winter Storage

To store the air conditioner when it is not in use for an extended period of time, remove it carefully from the window according to the installation instructions and cover it with plastic or place it in the original box.

## TROUBLESHOOTING

| PROBLEM   | POSSIBLE CAUSES   | SOLUTIONS   |
|---|---|---|
| <b>The Air Conditioner will not start</b>             | The air conditioner is unplugged  | <ul style="list-style-type: none"> <li>• Make sure the air conditioner is plug is pushed completely into the outlet</li> </ul>  |
|   | The fuse is blown/circuit breaker is tripped.                               | <ul style="list-style-type: none"> <li>• Check the house fuse/circuit breaker box and replace the fuse or reset the breaker.</li> </ul>   |
|   | Power Failure   | <ul style="list-style-type: none"> <li>• The unit will automatically re-start when power is restored.</li> <li>• There is a protective time delay (approx. 3 minutes) to prevent tripping of the compressor overload. For this reason, the unit may not start normal cooling for 3 minutes after it is turned back on.</li> </ul> |
|   | The current interrupter device is tripped.                                  | <ul style="list-style-type: none"> <li>• Press the RESET button located on the power cord plug.</li> <li>• If the RESET button will not stay engaged, discontinue use of the air conditioner and contact a qualified service technician.</li> </ul>   |
| <b>The Air Conditioner does not cool as it should</b> | Airflow is restricted   | <ul style="list-style-type: none"> <li>• Make sure there are no curtains, blinds, or furniture blocking the front of the air conditioner</li> </ul>   |
|   | The temperature control may not be set correctly.                           | <ul style="list-style-type: none"> <li>• Lower the set thermostat temperature</li> </ul>  |
|   | The air filter is dirty   | <ul style="list-style-type: none"> <li>• Clean the filter. See the Cleaning and Care Section of the manual.</li> </ul>  |
|   | The room may be too warm  | <ul style="list-style-type: none"> <li>• Please allow time for the room to cool down after turning on the air conditioner.</li> </ul>   |
|   | Cold air is escaping  | <ul style="list-style-type: none"> <li>• Check for open furnace registers and cold air returns</li> </ul>   |
|   | The Cooling Coils are frozen  | <ul style="list-style-type: none"> <li>• See “Air Conditioner Freezing Up” below.</li> </ul>  |
| <b>The Air Conditioner is freezing up</b>             | Ice blocks the air flow and stops the air conditioner from cooling the room | <ul style="list-style-type: none"> <li>• Set the MODE dial to HIGH FAN or HIGH COOL and set the thermostat to a higher temperature</li> </ul>   |
| <b>The Remote Control is not working</b>              | The batteries are inserted incorrectly                                      | <ul style="list-style-type: none"> <li>• Check the position of the batteries.</li> </ul>  |
|   | The batteries may be dead   | <ul style="list-style-type: none"> <li>• Replace the batteries</li> </ul>   |

## TROUBLESHOOTING (CONT.)

| <b>PROBLEM</b>                           | <b>POSSIBLE CAUSES</b>                                       | <b>SOLUTIONS</b>   |
|--|--|--|
| <b>Water is dripping outside</b>         | Hot and Humid weather.                                       | <ul style="list-style-type: none"><li>• This is normal</li></ul>   |
| <b>Water is dripping inside the room</b> | The air conditioner is not correctly tilted outside.         | <ul style="list-style-type: none"><li>• For proper water drainage, make sure the air conditioner is slightly tilted downward from the front of the unit to the rear.</li></ul> |
| <b>Water collects in the base pan</b>    | Moisture removed from the air is draining into the base pan. | <ul style="list-style-type: none"><li>• This is normal for a short period in areas with low humidity and normal for a longer period in areas with high humidity.</li></ul>     |

---

## Warranty

Soleus Home Comfort warrants the accompanying Soleus Air Air Conditioner to be free of defects in material and workmanship for the applications specified in its operation instruction for the period of parts specified below.

|                             |
|-----------------------------|
| 5 YEARS FOR COMPRESSOR      |
| 1 YEAR FOR OTHER COMPONENTS |

This warranty shall not apply to broken or marred cabinets, accessories, knobs, filters or routine maintenance. This warranty does not apply to uncrating, setup, installation, removal of the product for repair or reinstallation of the product after repair.

This warranty does not apply to repairs or replacements necessitated by any cause beyond the control of Soleus Home Comfort including, but not limited to, any malfunction, defect or failure caused by or resulting from unauthorized service or parts, improper maintenance, operation contrary to furnished instructions, shipping or transit accidents, modification or repair by the user, abuse, misuse, neglect, accident, incorrect power line voltage, fire, flood or other Acts of God, or normal wear and tear.

Warranty service must be performed by a qualified HVAC contractor. Soleus Home Comfort maintains a centralized service network to provide parts and assist in resolving service problems if difficulties are encountered. Soleus Home Comfort agrees to provide service information, sell repair parts and reimburse the dealer / serviceman for parts in accordance with Soleus Home Comfort's Policies and Procedures.

SOLEUS HOME COMFORT MAINTAINS THAT ALL WARRANTIES, INCLUDING IMPLIED WARRANTY OR MERCHANTABILITY ARE LIMITED TO THE TERMS AND CONDITIONS SPECIFIED ABOVE. SOLEUS HOME COMFORT DISCLAIMS ANY LIABILITY FOR CONSEQUENTIAL OR INCIDENTAL DAMAGES AND IN NO EVENT SHALL SOLEUS HOME COMFORT'S LIABILITY EXCEED THE RETAIL VALUE OF THE AIR CONDITIONER.

This warranty covers only new products purchased from our authorized dealers or retailers. It does not cover internet sales, used, salvaged, or refurbished products.

FOR TECHNICAL SUPPORT AND WARRANTY SERVICE

Please Call (888) 876-5387

Or Write To:

Soleus Home Comfort  
17911 East Ajax Circle  
City of Industry, CA 91748 USA  
[www.soleushomecomfort.com](http://www.soleushomecomfort.com)