

SonicWall™ SonicWave 432e Safety and Regulatory Information

Regulatory model number APL43-0C2

Products with “UL 2043” printed on their product labels are within the limit specified in the “UL 2043 Standard for Fire Test for Heat and Visible Smoke Release for Discrete Products Installed in Air-Handling Spaces” (Plenum). Applies only when powered through PoE. The PoE power supply is not covered by the UL 2043 evaluation of this Access Point.

This document contains safety and regulatory information for the SonicWall SonicWave 432e. The SonicWave 432e is a wireless access point with an internal wireless radio that can provide wireless access on either 5GHz or 2.4GHz and supports the 802.11 ac/n/g/a/b standards:

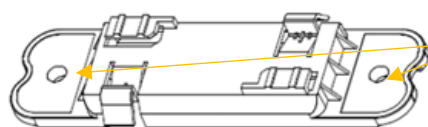
Mounting the SonicWave 432e and SonicWave 432i

You can mount your SonicWave 432e and SonicWave 432i to a wall or ceiling, or you can simply set it on a flat surface. For safety tips when mounting the SonicWave 432e and SonicWave 432i, see [Product Safety and Regulatory Information](#) on page 33.

Mounting using Ceiling Brackets

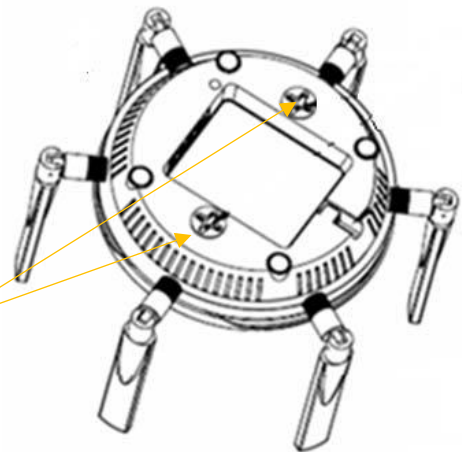
The mounting kit includes a large ceiling bracket.

Large Ceiling Bracket



Holes for screws

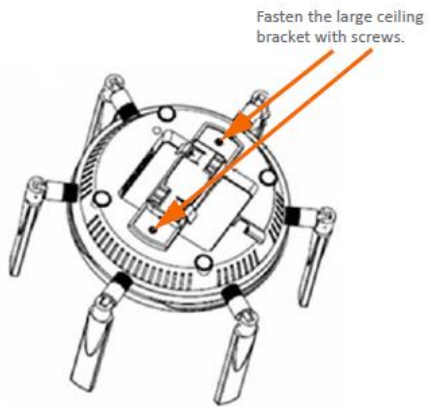
SonicWave 432e shown mounting same for 432i



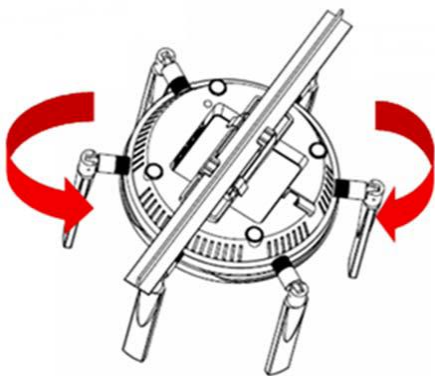
The underside of the SonicWave 432e and SonicWave 432i has two insertion points where you can insert screws to help secure the bracket. You can use these insertion points to attach the large bracket to the SonicWave 432e and SonicWave 432i.

To mount the SonicWave 432e or SonicWave 432i to a crossbar between ceiling panels using the large bracket:

1. Use two screws to attach the large bracket to the underside of the SonicWave.



2. Supporting the SonicWave in one hand, position the edge clips of the bracket over the edge of the ceiling crossbar and rotate the SonicWave counterclockwise (to the left when looking up at it) until the bracket is securely attached to the crossbar.

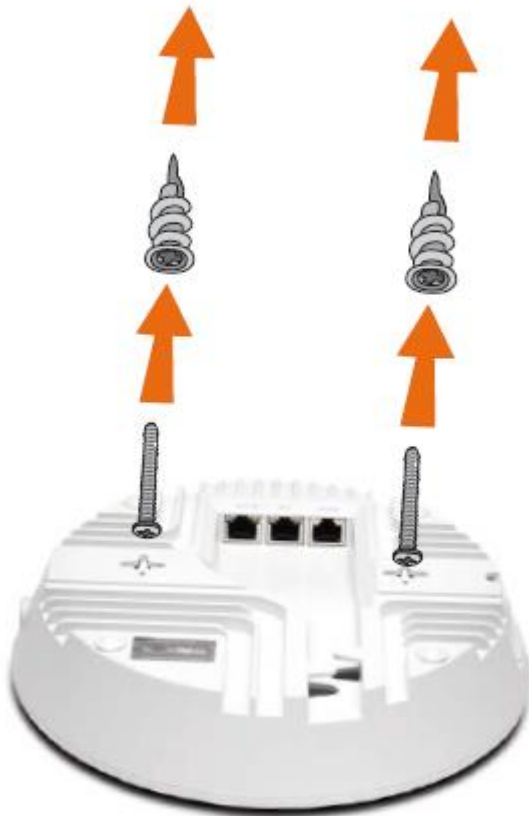


To remove the SonicWave 432e or SonicWave 432i from the ceiling crossbar, rotate it clockwise (to the right when looking up at it) until the bracket detaches from the crossbar.

Mounting using Anchor Screws

To mount the SonicWave 432e or SonicWave 432i using anchor screws:

1. On the mounting surface, mark the location to make two screw holes. The marks should be horizontally parallel to each other.
2. Screw the anchor screws into the ceiling tile or drywall to their full depth.
3. Insert the screws into the anchors, and screw them in deep enough to leave minimal space between the screw heads and the wall surface.
4. Supporting the SonicWave in your hands, securely fit the underside slots of the SonicWave onto the screw heads.



SonicWave 432i
shown mounting
same for 432e

Installing the appliance



WARNING: For your safety, follow all instructions listed in this section.

- Install in a location away from direct sunlight and sources of heat. A maximum ambient temperature of 104° F (40° C) is recommended.
- Route cables away from power lines, fluorescent lighting fixtures, and sources of noise such as radios, transmitters, and broadband amplifiers
- Ensure that no water or excessive moisture can enter the unit.
- Allow unrestricted airflow around the unit and through the vents on the side of the unit. A minimum of 1 inch (25.44mm) clearance is recommended.
- Consideration must be given to the connection of the equipment to the supply circuit. Appropriate consideration of equipment nameplate ratings must be used when addressing this concern. Do not overload the circuit.
- This device is not intended for use at workplaces with visual display units, in accordance with §2 of the German ordinance for workplaces with visual display units. To avoid incommoding reflections at visual display workplaces this device must not be placed in the direct field of view.

Cable connections

All Ethernet and RS232 (Console) cables are designed for intra-building connection to other equipment. Do not connect these ports directly to communication wiring or other wiring that exits the building where the SonicWall appliance is located.

Power supply information

This product's power is provided by the Ethernet cable plugged into the "LAN" port, this is called "Power Over Ethernet" or "POE." The POE source should only be UL listed marked "Class 2" or "LPS," with an output rated 48 VDC, minimum 0.6 A, Tma: minimum 40 degrees C.

Restricted environments

The SonicWall wireless device, like other radio devices, emits radio frequency electromagnetic energy. The SonicWall wireless device operates within the guidelines found in radio frequency safety and

recommendations. These standards and recommendations reflect the consensus of the scientific community and result from deliberations of panels and committees of scientists who continually review and interpret the extensive research literature. In some situations or environments, the use of the SonicWall wireless device may be restricted by the proprietor of the building or responsible representatives of the applicable organization.

Examples of such situations include the following:

- Using the SonicWall wireless device equipment on board airplanes, or
- Using the SonicWall wireless device equipment in any other environment where the risk of interference with other devices or services is perceived or identified as being harmful.

If you are uncertain of the policy that applies to the use of wireless devices in a specific organization or environment (an airport, for example), you are encouraged to ask for authorization to use the SonicWall wireless device before you turn it on.



WARNING: Explosive Device Proximity Warning: Do not operate a portable transmitter (such as a wireless network device) near unshielded blasting caps or in an explosive environment unless the device has been modified to be qualified for such use.



WARNING: Use on Aircraft Caution: Regulations of the FCC and FAA prohibit airborne operation of radio-frequency wireless devices because their signals could interfere with critical aircraft instruments.

Radio approvals

It is important to ensure that you only use your radio device in countries where the device is approved for use. To determine whether you are allowed to use your wireless network device in a specific country, check to see if the radio type number that is printed on the identification label of your device or listed on the radio approval list posted on the general SonicWall support site at: <https://support.sonicwall.com>.

Radio or television interference

The SonicWall SonicWave 432e wireless network device must be installed and used in strict accordance with the manufacturer's instructions as described in the user documentation that comes with the product. SonicWall Inc. is not responsible for any radio or television interference caused by unauthorized modification of the devices included with this SonicWall Wireless device kit, or the substitution or attachment of connecting cables and equipment other than that specified by SonicWall Inc. The correction of interference caused by such unauthorized modification, substitution or attachment is the responsibility of the user. SonicWall Inc. and its authorized resellers or distributors are not liable for any damage or violation of government regulations that may arise from the user failing to comply with these guidelines.

Wireless interoperability

The SonicWall Wireless WLAN products are designed to be interoperable with any wireless LAN product that is based on direct sequence spread spectrum (DSSS) radio technology and orthogonal frequency division multiplexing (OFDM) and to comply with the following standards:

- IEEE 802.11a Standard on 5 GHz Wireless LAN

- IEEE 802.11b-1999 Standard on 2.4 GHz Wireless LAN
- IEEE 802.11g Standard on 2.4 GHz Wireless LAN
- IEEE 802.11n Standard on 2.4 GHz and 5 GHz Wireless LAN
- Wireless Fidelity (Wi-Fi) certification, as defined by the WECA (Wireless Ethernet Compatibility Alliance)

Sicherheitshinweise für den Einbau und Betrieb

- [Weitere hinweise zur montage](#)
- [Kabelverbindungen](#)
- [Hinweis zur Lithiumbatterie](#)
- [Informationen zur stromversorgung](#)

Weitere hinweise zur montage



WARNUNG: Zu Ihrer eigenen Sicherheit beachten Sie alle in diesem Abschnitt aufgeführten Anweisungen.

- Wählen Sie für die Montage einen Ort, der keinem direkten Sonnenlicht ausgesetzt ist und sich nicht in der Nähe von Wärmequellen befindet. Die Umgebungstemperatur darf nicht mehr als 40 °C betragen.
- Führen Sie die Kabel nicht entlang von Stromleitungen, Leuchtstoffröhren und Störquellen wie Funksendern oder Breitbandverstärkern.
- Stellen Sie sicher, dass das Gerät vor Wasser und hoher Luftfeuchtigkeit geschützt ist.
- Stellen Sie sicher, dass die Luft um das Gerät herum zirkulieren kann und die Lüftungsschlitze an der Seite des Gehäuses frei sind. Hier ist ein Belüftungs-abstand von mindestens 26 mm einzuhalten.
- Das Gerät ist nicht für die Benutzung im unmittelbaren Gesichtsfeld am Bildschirmarbeitsplatz vorgesehen. Um störende Reflexionen am Bildschirmarbeitsplatz zu vermeiden, darf dieses Produkt nicht im unmittelbaren Gesichtsfeld platziert werden.

Kabelverbindungen

Alle Ethernet- und RS232-C-Kabel eignen sich für die Verbindung von Geräten in Innenräumen. Schließen Sie an die Anschlüsse der SonicWall keine Kabel an, die aus dem Gebäude herausgeführt werden, in dem sich das Gerät befindet.

Informationen zur stromversorgung

Die Stromversorgung durch das Ethernet-Kabel in die "LAN"-Anschluss angeschlossen vorgesehen ist, wird dies als "Power over Ethernet" oder "PoE." Dieses Produkt darf nur in Verbindung mit einem für den Europäischen

Markt genehmigten und mit dem Logo „LPS.“ Ausgang: 48 VDC Gleichspannung, mind. 0,6 A, mindest TMA mindestens 40° Grad C, betrieben werden.

Agency specific information

FCC ID: 2AKCZ-0C2

This equipment generates, uses, and can radiate radio frequency energy and, if not installed and used in accordance with the manufacturer's instruction manual, may cause interference with radio and television reception.

This equipment has been tested and found to comply with the limits for a Class B digital device pursuant to Part 15 of the FCC Rules.

- This device may not cause harmful interference, and
- This device must accept any interference received, including interference that may cause undesired operation.

i **NOTICE:** The FCC regulations provide that changes or modifications not expressly approved by SonicWall Inc. could void your authority to operate this equipment.

These limits are designed to provide reasonable protection against harmful interference in a residential installation. However, there is no guarantee that interference will not occur in a particular installation. If this equipment does cause harmful interference with radio or television reception, which can be determined by turning the equipment off and on, you are encouraged to try to correct the interference by one or more of the following measures:

- Reorient the receiving antenna.
- Relocate the system with respect to the receiver.
- Move the system away from the receiver.
- Plug the system into a different outlet so that the system and the receiver are on different branch circuits.

If necessary, consult a representative of SonicWall Inc. or an experienced radio/television technician for additional suggestions.

i **NOTE:** This SonicWall Wireless WLAN device must be installed and used in strict accordance with the manufacturer's instructions as described in the user documentation that comes with the product. Any other installation or use will violate FCC Part 15 regulations. Modifications not expressly approved by SonicWall could void your authority to operate the equipment.

The following information is provided on the device or devices covered in this document in compliance with FCC regulations:

- Product name: SonicWall SonicWave 432e
- Regulatory Model: APL43-0C2
- Company name: SonicWall Inc.

is the responsible party for this product. For an EMC compliance issue or a regulatory inquiry, please use the following contact information:
SonicWall Inc.

5455 Great America Parkway
Santa Clara, CA 95054 USA
408-745-9600

Radiation exposure statement (FCC)

△ CAUTION: The radiated output power of this device is below the FCC radio frequency exposure limits. Nevertheless, this device should be used in such a manner that the potential for human contact during normal operation is minimized. This device has been evaluated for and shown compliant with the FCC RF Exposure limits under mobile exposure conditions (antennas are greater than 50 cm from a person's body). Details of the authorized configurations can be found at <https://fjallfoss.fcc.gov/oetcf/eas/reports/GenericSearch.cfm> by entering the FCC ID number on the device.

United States of America authorized channels

SonicWall declares that the APL43-0C2 (FCC ID: 2AKCZ-0C2) when sold in the USA is limited to CH1-CH11 by specified firmware controlled in the USA.

△ CAUTION: This device is restricted to indoor use due to its operation in the 5.15GHz to 5.25GHz frequency range. The FCC requires this product to be used indoors for the frequency range 5.15GHz to 5.25GHz to reduce the potential for harmful interference to co-channel Mobile Satellite systems.

High power radars are allocated as primary users of the 5.25GHz to 5.35GHz and 5.65GHz to 5.85GHz bands. These radar stations can cause interference with this device or can cause damage to this device, or both.

The APL43-0C2 device has been designed to operate with an internal antenna. Antenna is not user accessible.

NOTE: This equipment has been tested and found to comply with the limits for a Class B digital device, pursuant to part 15 of the FCC Rules. These limits are designed to provide reasonable protection against harmful interference in a residential installation. This equipment generates uses and can radiate radio frequency energy and, if not installed and used in accordance with the instructions, may cause harmful interference to radio communications. However, there is no guarantee that interference will not occur in a particular installation. If this equipment does cause harmful interference to radio or television reception, which can be determined by turning the equipment off and on, the user is encouraged to try to correct the interference by one or more of the following measures:

- Reorient or relocate the receiving antenna.
- Increase the separation between the equipment and receiver.
- Connect the equipment into an outlet on a circuit different from that to which the receiver is connected.
- Consult the dealer or an experienced radio/TV technician for help.

Industry Canada notices

This Class B digital apparatus complies with Canadian ICES-003.



NOTICE: The Industry Canada regulations provide that changes or modifications not expressly approved by SonicWall Inc. could void your authority to operate this equipment.

Authorized Channels

SonicWall declares that the APL43-0C2 (IC: 22137-0C2) when sold in Canada is limited to CH1~CH11 by specified firmware controlled in the USA.

Operation

This device complies with RSS-247 of the Industry Canada Rules. Operation is subject to the following two conditions: (1) This device may not cause harmful interference, and (2) this device must accept any interference received, including interference that may cause undesired operation.

Radiation Exposure Statement

This equipment complies with IC radiation exposure limits set forth for an uncontrolled environment. This equipment should be installed and operated with a minimum distance of 50 cm between the radiator and your body.

Attachable Antenna

Under Industry Canada regulations, this radio transmitter may only operate using an antenna of a type and maximum (or lesser) gain approved for the transmitter by Industry Canada. To reduce potential radio interference to other users, the antenna type and its gain should be so chosen that the equivalent isotropically radiated power (e.i.r.p.) is not more than that necessary for successful communication.

This radio transmitter (IC: 22137-0C2) has been approved by Industry Canada to operate with the antenna types listed below with the maximum permissible gain and required antenna impedance for each antenna type indicated. Antenna types not included in this list, having a gain greater than the maximum gain indicated for that type, are strictly prohibited for use with this device.

Approved Antenna:

- Type: Dipole
- Maximum gain: 8 dBi at 5 GHz and 5 dBi at 2.4 GHz
- Required impedance: 50 ohms

Internal Antenna

Under Industry Canada regulations, this radio transmitter may only operate using internal antennas installed at the factory. Internal antennas are not user accessible. Any modification voids user authority to use the wireless functions.

Band warnings

The device for operation in the band 5150-5250 MHz is only for indoor use to reduce the potential for harmful interference to co-channel mobile satellite systems;

The maximum antenna gain permitted for devices in the band 5725-5825 MHz shall comply with the e.i.r.p. limits specified for point-to-point and non point-to-point operation as appropriate.

Users should also be advised that high-power radars are allocated as primary users (i.e. priority users) of the band and 5650-5850 MHz and that these radars could cause interference and/or damage to LE-LAN devices.

Industrie Canada notifications

Cet appareil numérique de la classe B est conforme à la norme NMB-003 du Canada.



AVIS: Dans le cadre des réglementations d'Industrie Canada, vos droits d'utilisation de cet équipement peuvent être annulés si des changements ou modifications non expressément approuvés par SonicWall Inc. y sont apportés.

Chaînes autorisées

SonicWall déclare que l'APL43-0C2 (IC: 22137-0C2) une fois vendu au Canada est limité à CH1~CH11 par spécifique microprogrammé aux Etats-Unis.

Opération

Le présent appareil est conforme aux CNR d'Industrie Canada applicables aux appareils radio exempts de licence. L'exploitation est autorisée aux deux conditions suivantes : (1) l'appareil ne doit pas produire de brouillage, et (2) l'utilisateur de l'appareil doit accepter tout brouillage radioélectrique subi, même si le brouillage est susceptible d'en compromettre le fonctionnement.

Déclaration de l'exposition aux radiations

Cet équipement est conforme à l'exposition aux rayonnements IC limites établies pour un environnement non contrôlé. Cet équipement doit être installé et utilisé avec un minimum de 50 cm de distance entre le radiateur et votre corps.

Antenne attachable

Conformément à la réglementation d'Industrie Canada, le présent émetteur radio peut fonctionner avec une antenne d'un type et d'un gain maximal (ou inférieur) approuvé pour l'émetteur par Industrie Canada. Dans le but de réduire les risques de brouillage radioélectrique à l'intention des autres utilisateurs, il faut choisir le type d'antenne et son gain de sorte que la puissance isotrope rayonnée équivalente (p.i.r.e.) ne dépasse pas l'intensité nécessaire à l'établissement d'une communication satisfaisante.

Le présent émetteur radio (IC: 22137-0C2) a été approuvé par Industrie Canada pour fonctionner avec les types d'antenne énumérés ci-dessous et ayant un gain admissible maximal et l'impédance requise pour chaque type d'antenne. Les types d'antenne non inclus dans cette liste, ou dont le gain est supérieur au gain maximal indiqué, sont strictement interdits pour l'exploitation de l'émetteur.

Antenne Approuvée:

- Type: Dipole
- Gain maximum: 5 dBi at 5 GHz and 8 dBi at 2.4 GHz
- Impédance requise: 50 ohms

Antenne interne

Selon les règles en vigueur à Industries Canada, cet émetteur radio doit être utilisé uniquement avec les antennes internes qui sont installées dans l'usine. Les antennes internes ne sont pas accessibles à l'utilisateur. Toute modification annule le droit de l'utilisateur d'utiliser les fonctions sans fil.

Attention: (utilisation de bande)

Les dispositifs fonctionnant dans la bande 5150-5250 MHz sont réservés uniquement pour une utilisation à l'intérieur afin de réduire les risques de brouillage préjudiciable aux systèmes de satellites mobiles utilisant les mêmes canaux;

Le gain maximal d'antenne permis (pour les dispositifs utilisant la bande 5725-5825 MHz) doit se conformer à la limite de p.i.r.e. spécifiée pour l'exploitation point à point et non point à point, selon le cas.

De plus, les utilisateurs devraient aussi être avisés que les utilisateurs de radars de haute puissance sont désignés utilisateurs principaux (c.-à-d., qu'ils ont la priorité) pour les bande 5650-5850 MHz et que ces radars pourraient causer du brouillage et/ou des dommages aux dispositifs LAN-EL.

低功率電波輻射性電機管理辦法

第十二條 經型式認證合格之低功率射頻電機，非經許可，公司、商號或使用者均不得擅自變更頻率、加大功率或變更原設計之特性及功能。

第十四條 低功率射頻電機之使用不得影響飛航安全及干擾合法通信；經發現有干擾現象時，應立即停用，並改善至無干擾時方得繼續使用。前項合法通信，指依電信法規定作業之無線電通信。低功率射頻電機須忍受合法通信或工業、科學及醫療用電波輻射性電機設備之干擾。

使用此產品時應避免影響附近雷達系統之操作。高增益指向性天線只得應用於固定式點對點系統。

電磁波曝露量 MPE 標準值 $1\text{mW}/\text{cm}^2$ ，送測產品實測值為 $0.984\text{W}/\text{cm}^2$ 。本產品使用時建議應距離人體 50 cm。

CE Notice



Declaration of conformity

A "Declaration of Conformity" in accordance with the directives and standards has been made and is on file at SonicWall International Limited, City Gate Park, Mahon, Cork, Ireland.

CE declarations can be found online at <https://support.sonicwall.com>.



NOTE: Additional regulatory notifications and information for this product can be found online at <https://support.sonicwall.com>.

EU and EFTA

This device is approved for use in EU member states and EFTA countries as shown on the appliance label.

SonicWave 432e (RM: APL43-0C2) RF Transmitter Bands and Power

| Frequency Bands MHz | Maximum Radio-Frequency Power Transmitted dBm EIRP |
|------------------------|---|
| 2412 - 2472 | 18.75 |
| 5180 - 5240 | 22.36 |

| | |
|-------------|-------|
| 5260 - 5320 | 22.50 |
| 5500 - 5700 | 29.30 |

This SonicWall appliance contains radio equipment to provide 2.4 GHz and 5 GHz RLAN/WLAN. To maintain Radio Equipment Directive 2014/53/EU compliance, use only SonicOS software and accessories provided with this appliance and by SonicWall.

Diese SonicWall Appliance enthält Funkanlagen zur Bereitstellung von RLAN/WLAN im Frequenzbereich von 2,4 GHz und 5 GHz. Verwenden Sie zur Einhaltung der Funkanlagenrichtlinie 2014/53/EU (Radio Equipment Directive – RED) ausschließlich SonicOS Software und Zubehör, das mit dieser Appliance und von SonicWall bereitgestellt wird.

To maintain safe exposure levels to electromagnetic fields, place appliance a minimum of 50 cm from all persons and domestic animals.

Zur Einhaltung unbedenklicher Expositionswerte durch elektromagnetische Felder sollte sich die Appliance mindestens 50 cm von Personen und Haustieren entfernt befinden.



This SonicWall wireless appliance is restricted to indoor use.
Diese SonicWall Appliance ist auf die Nutzung in Innenräumen beschränkt.

Simplified EU/CE Declaration of Conformity

Hereby, SonicWall Inc. declares that the radio equipment type 2.4 GHz and 5 GHz RLAN/WLAN is in compliance with Directive 2014/53/EU.

The full text of the EU declaration of conformity is available at the following Internet address:

<https://www.SonicWall.com/Support>

Hierbij verklaar ik, SonicWall Inc., dat het type radioapparatuur 2.4 GHz and 5 GHz RLAN/WLAN conform is met Richtlijn 2014/53/EU. De volledige tekst van de EU-conformiteitsverklaring kan worden geraadpleegd op het volgende internetadres: <https://www.SonicWall.com/Support>

Hiermit erklärt SonicWall Inc., dass der Funkanlagentyp 2.4 GHz and 5 GHz RLAN/WLAN der Richtlinie 2014/53/EU entspricht. Der vollständige Text der EU-Konformitätserklärung ist unter der folgenden Internetadresse verfügbar: <https://www.SonicWall.com/Support>

Le soussigné, SonicWall Inc., déclare que l'équipement radioélectrique du type 2.4 GHz and 5 GHz RLAN/WLAN est conforme à la directive 2014/53/UE.

Le texte complet de la déclaration UE de conformité est disponible à l'adresse internet suivante:

<https://www.SonicWall.com/Support>

С настоящото SonicWall Inc. декларира, че този тип радиосъоръжение 2.4 GHz and 5 GHz RLAN/WLAN е в съответствие с Директива 2014/53/ЕС.

Цялостният текст на ЕС декларацията за съответствие може да се намери на следния интернет адрес:

<https://www.SonicWall.com/Support>

Tímto SonicWall Inc. prohlašuje, že typ rádiového zařízení 2.4 GHz and 5 GHz RLAN/WLAN je v souladu se směrnicí 2014/53/EU.

Úplné znění EU prohlášení o shodě je k dispozici na této internetové adrese:

<https://www.SonicWall.com/Support>

Hermed erklærer SonicWall Inc., at radioudstyrstypen 2.4 GHz and 5 GHz RLAN/WLAN er i overensstemmelse med direktiv 2014/53/EU.

EU-overensstemmelseserklæringens fulde tekst kan findes på følgende internetadresse:

<https://www.SonicWall.com/Support>

Με την παρούσα ο/η SonicWall Inc., δηλώνει ότι ο ραδιοεξοπλισμός 2.4 GHz and 5 GHz RLAN/WLAN πληροί την οδηγία 2014/53/ΕΕ. Το πλήρες κείμενο της δήλωσης συμμόρφωσης ΕΕ διατίθεται στην ακόλουθη ιστοσελίδα στο διαδίκτυο: <https://www.SonicWall.com/Support>

Por la presente, SonicWall Inc. declara que el tipo de equipo radioeléctrico [2.4 GHz and 5 GHz RLAN/WLAN es conforme con la Directiva 2014/53/UE.

El texto completo de la declaración UE de conformidad está disponible en la dirección Internet siguiente:

<https://www.SonicWall.com/Support>

Käesolevaga deklareerib SonicWall Inc., et käesolev raadioseadme tüüp 2.4 GHz and 5 GHz RLAN/WLAN vastab direktiivi 2014/53/EL nõuetele.

ELi vastavusdeklaratsiooni täielik tekst on kättesaadav järgmisel internetiaadressil:

<https://www.SonicWall.com/Support>

SonicWall Inc. vakuuttaa, että radiolaitetyyppi 2.4 GHz and 5 GHz RLAN/WLAN on direktiivin 2014/53/EU mukainen. EU-vaatimustenmukaisuusvakuutuksen täysimittainen teksti on saatavilla seuraavassa internetosoitteessa: <https://www.SonicWall.com/Support>

SonicWall Inc. ovime izjavljuje da je radijska oprema tipa 2.4 GHz and 5 GHz RLAN/WLAN u skladu s Direktivom 2014/53/EU.

Cjeloviti tekst EU izjave o sukladnosti dostupan je na sljedećoj internetskoj adresi:

<https://www.SonicWall.com/Support>

SonicWall Inc. igazolja, hogy a 2.4 GHz and 5 GHz RLAN/WLAN típusú rádióberendezés megfelel a 2014/53/EU irányelvnek.

Az EU-megfelelőségi nyilatkozat teljes szövege elérhető a következő internetes címen:

<https://www.SonicWall.com/Support>

Il fabbricante, SonicWall Inc., dichiara che il tipo di apparecchiatura radio 2.4 GHz and 5 GHz RLAN/WLAN è conforme alla direttiva 2014/53/UE.

Il testo completo della dichiarazione di conformità UE è disponibile al seguente indirizzo Internet:

<https://www.SonicWall.com/Support>

Aš, SonicWall Inc., patvirtinu, kad radijo įrenginių tipas 2.4 GHz and 5 GHz RLAN/WLAN atitinka Direktyvą 2014/53/ES.

Visas ES atitikties deklaracijos tekstas prieinamas šiuo interneto adresu:

<https://www.SonicWall.com/Support> Ar šo SonicWall Inc. deklarė, ka radioiekārta 2.4 GHz and 5 GHz

RLAN/WLAN atbilst Direktīvai 2014/53/ES.

Pilns ES atbilstības deklarācijas teksts ir pieejams šādā interneta vietnē: <https://www.SonicWall.com/Support>

B'dan, SonicWall Inc., niddikjara li dan it-tip ta' tagħmir tar-radju 2.4 GHz and 5 GHz RLAN/WLAN huwa konformi mad-Direttiva 2014/53/UE.

It-test kollu tad-dikjarazzjoni ta' konformità tal-UE huwa disponibbli f'dan l-indirizz tal-Internet li ġej:

<https://www.SonicWall.com/Support>

SonicWall Inc. niniejszym oświadcza, że typ urządzenia radiowego 2.4 GHz and 5 GHz RLAN/WLAN jest zgodny z dyrektywą 2014/53/UE.

Pełny tekst deklaracji zgodności UE jest dostępny pod następującym adresem internetowym:

<https://www.SonicWall.com/Support>

Prin prezenta, SonicWall Inc. declară că tipul de echipamente radio 2.4 GHz and 5 GHz RLAN/WLAN este în conformitate cu Directiva 2014/53/UE.

Textul integral al declarației UE de conformitate este disponibil la următoarea adresă internet:

<https://www.SonicWall.com/Support>

SonicWall Inc. tímto vyhlasuje, že rádiové zariadenie typu 2.4 GHz and 5 GHz WLAN je v súlade so smernicou 2014/53/EÚ.

Úplné EÚ vyhlásenie o zhode je k dispozícii na tejto internetovej adrese: <https://www.SonicWall.com/Support>

SonicWall Inc. potruje, da je tip radijske opreme 2.4 GHz and 5 GHz WLAN skladen z Direktivo 2014/53/EU.

Celotno besedilo izjave EU o skladnosti je na voljo na naslednjem spletnem naslovu:

<https://www.SonicWall.com/Support>

Härmed försäkras SonicWall Inc. att denna typ av radioutrustning 2.4 GHz and 5 GHz WLAN överensstämmer med direktiv 2014/53/EU.

Den fullständiga texten till EU-försäkran om överensstämmelse finns på följande webbadress:

<https://www.SonicWall.com/Support>

Electromagnetic compatibility information

This section provides country-specific EMC/EMI information.

- [Electromagnetic compatibility](#)
- [Електромагнитна съвместимост](#)
- [电磁兼容性](#)
- [電磁相容](#)
- [Elektromagnetska kompatibilnost](#)
- [Elektromagnetická kompatibilita](#)
- [Elektromagnetisk kompatibilitet](#)
- [Elektromagnetische compatibiliteit](#)
- [Elektromagnetiline ühilduvus](#)
- [Sähkömagneettisella yhteensopivuudella](#)
- [Compatibilité électromagnétique](#)
- [Elektromagnetischer Verträglichkeit](#)
- [Ηλεκτρομαγνητική συμβατότητα](#)
- [Elektromágneses kompatibilitás](#)
- [Compatibilità elettromagnetica](#)
- [電磁的兩立性](#)
- [전자기 호환성](#)
- [Elektromagnētiskā saderība](#)
- [Elektromagnetinis suderinamumas](#)
- [Kompatibilità elettromanjetika](#)

- Elektromagnetisk kompatibilitet
- Zgodność elektromagnetyczna
- Compatibilidade eletromagnética
- Compatibilidade electromagnética
- Compatibilitatea electromagnetica
- Электромагнитной совместимостью
- Elektromagnetická kompatibilita
- Elektromagnetna združljivost
- Compatibilidad electromagnética
- Elektromagnetisk kompatibilitet
- ความเข้ากันได้ทางแม่เหล็กไฟฟ้า
- Elektromanyetik uyumluluk

Electromagnetic compatibility

Electromagnetic Interference (EMI) is any signal or emission, radiated in free space or conducted along power or signal leads, that endangers the functioning of radio navigation or other safety service or seriously degrades, obstructs, or repeatedly interrupts a licensed radio communications service. Radio communications services include but are not limited to AM/FM commercial broadcast, television, cellular services, radar, airtraffic control, pager, and Personal Communication Services (PCS). These licensed radio services, and unlicensed radio services, such as WLAN or Bluetooth, along with unintentional radiators such as digital devices, including computer systems, contribute to the electromagnetic environment.

Electromagnetic Compatibility (EMC) is the ability of items of electronic equipment to function properly together in the electronic environment. While this computer system has been designed and determined to be compliant with regulatory agency limits for EMI, there is no guarantee that interference will not occur in a particular installation.

SonicWall™ products are designed, tested, and classified for their intended electromagnetic environment. These electromagnetic environment classifications generally refer to the following harmonized definitions:

- **Class B** products are intended for use in residential/domestic environments but may also be used in non-residential/non-domestic environments.
 - ⓘ **NOTE:** The residential/domestic environment is an environment where the use of broadcast radio and television receivers may be expected within a distance of 10 m from where this product is used.
- **Class A** products are intended for use in non-residential/non-domestic environments. Class A products may also be utilized in residential/domestic environments but may cause interference and require the user to take adequate corrective measures.

If this equipment does cause interference with radio communications services, which can be determined by turning the equipment off and on, you are encouraged to try to correct the interference by one or more of the following measures:

- Reorient the receiving antenna.
- Relocate the computer with respect to the receiver.
- Move the computer away from the receiver.
- Plug the computer into a different outlet so that the computer and the receiver are on different branch circuits.

If necessary, consult a SonicWall Technical Support representative or an experienced radio/television or EMC technician for additional suggestions.

Information Technology Equipment (ITE), including peripherals, expansion cards, printers, input/output (I/O) devices, monitors, and so on, that are integrated into or connected to the system should match the electromagnetic environment classification of the computer system.

A Notice about Shielded Signal Cables: Use only shielded cables for connecting peripherals to any SonicWall™ device to reduce the possibility of interference with radio communications services. Using shielded cables ensures that you maintain the appropriate EMC classification for the intended environment. For parallel printers, a cable is available from SonicWall™. If you prefer, you can order a cable from SonicWall™ on the World Wide Web at <https://www.sonicwall.com>.

SonicWall has determined that this product is a **Class B** harmonized product. The following sections provide country-specific EMC/EMI or product safety information.

Електромагнитна съвместимост

Електромагнитните смущения (EMI) са всички сигнали или лъчения, излъчени в свободното пространство, или протичащи по електрически или сигнални кабели, които застрашават функционирането на радио навигацията или на друга услуга за безопасност, или сериозно влошават, пречат на или постоянно прекъсват лицензирана радиокомуникационна услуга.

Радиокомуникационните услуги включват, без изброяването да е изчерпателно, AM/FM рекламни предавания, телевизия, клетъчни услуги, радиолокация, управление на въздушния трафик и Персонални комуникационни услуги (ПКУ). Тези лицензирани радиопредавателни услуги и нелицензирани радиопредавателни услуги, като например WLAN или Bluetooth, заедно с неволни излъчватели като цифрови устройства, включително компютърни системи, допринасят към електромагнитната среда.

Електромагнитна съвместимост (EMC) е способността на различните единици електронно оборудване да работят добре при съвместна работа в електронна среда. Тази компютърна система е създадена и предназначена да е съвместима с регулаторните ограничения за EMI, но няма гаранция, че в някои случаи няма да има смущения.

Продуктите на SonicWall™ са проектирани, тествани и класифицирани съобразно условията на електромагнитната среда, за която са предназначени. Тези класификации според електромагнитната среда обикновено се отнасят към следните хармонизирани дефиниции:

- **Клас B** продуктите са предназначени за използване в жилищна/домашна обстановка, но могат също така да се използват и в други обстановки.
 - **БЕЛЕЖКА:** Жилищната/домашна обстановка е обстановка, в която може да се очаква използването на радио- и телевизионни приемници в разстояние от 10 м от мястото, на което се използва продукта.
- **Клас A** продуктите са предназначени за използване в не-жилищна/не-домашна обстановка. Продуктите от Клас A могат да се използват и в жилищна/домашна обстановка, но могат да причинят интерференции и да се наложи потребителят да вземе съответните корективни мерки.

Ако това устройство причинява интерференция с радиокомуникационни услуги, което се определя чрез включване и изключване на устройството, бихте могли да коригирате интерференцията по един или няколко от следните начини:

- Преориентиране на приемателната антена.
- Преместване на компютъра спрямо приемника.
- Отдалечаване на компютъра от приемника.
- Включете компютъра в различен контакт, така че компютърът и приемникът да са към различни електрически вериги.

Ако е необходимо, свържете се с представител от отдела за техническа поддръжка на SonicWall или с опитен радио/ТВ или EMC техник за допълнителни предложения.

Информационно-технологичното оборудване (ИТЕ), включително периферия, разширителни карти, принтери, входно-изходни устройства (I/O), монитори и т.н., които са интегрирани в компютъра или са свързани към него, трябва да отговарят на електромагнитната класификация на компютърната система.

Бележка за екранираните сигнални кабели: Използвайте само екранирани кабели за свързване на периферия към всяко устройство на SonicWall™, за да намалите вероятността от интерференция с радиокомуникационните услуги. Чрез употреба на екранирани кабели се постига подходящата EMC класификация за предполагаемата среда. За паралелни принтери, има специален кабел от SonicWall™. Ако предпочитате, можете да си поръчате кабел от SonicWall™ по интернет на адрес <https://www.sonicwall.com>.

SonicWall определя този продукт като хармонизиран продукт от **Клас В**. Следващите раздели съдържат специфична за страните информация относно електромагнитната съвместимост и

интерференция (EMC/EMI) или информация относно безопасността на продукта. **电磁兼容**

性

电磁干扰 (EMI) 是一种信号或辐射，它散布在空中或通过电源线或信号线传送，这样会对无线电导航或其它安全服务的正常工作造成危害，或者严重影响、阻碍或重复中断获得许可的无线电通信服务。无线电通信服务包括但不限于调幅/调频商业广播、电视、蜂窝式无线电通信、雷达、空中交通管制、寻呼机和个人通信服务 (PCS)。这些许可的或未许可的无线电服务，例如无线局域网或蓝牙，以及无意识的辐射体，例如数字设备，包括计算机系统，都会造成电磁干扰。

电磁兼容性 (EMC) 是指各种电子设备在电子环境中共同正常工作的能力。本计算机系统经设计使用并确定符合管制机构对于 EMI 的限制，但是并不保证在某个特定的安装中绝对不会产生干扰。

SonicWall™ 产品经设计、测试和分类用于其预定的电磁环境。这些电磁环境分类通常是指以下谱和定义：

- 乙类产品主要用于居住/室内环境但也会被用于非居住/室外环境。 ⓘ 注：居住/室内环境是指在距离本产品的 10 米之内可以使用无线电和电视广播接收设备。
- 甲类产品主要用于非居住/室外环境。甲类产品也可能被用于居住/室内环境但会造成干扰并要求用户有足够的正确考虑。

如果此设备确实对无线电通信服务造成了干扰（可以通过关闭和打开设备来确定），请尝试以下一种或多种方法来排除干扰：

- 重新调整接收天线的方向。
- 改变计算机相对于接收器的位置。
- 将计算机移至远离接收器的位置。
- 将计算机连接至不同的电源插座，使计算机与接收器不在同一分支电路上。

如有必要，请咨询 SonicWall 硬件担保支持代表或有经验的无线电/电视技术人员或电磁兼容性 (EMC) 技术人员以获得更多的建议。

系统集成或连接的信息技术设备 (ITE)，包括外围设备、扩充卡、打印机、输入/输出 (I/O) 设备、显示器等，均应与计算机系统的电磁环境分类相匹配。

关于屏蔽信号电缆的通告：将外围设备连接至任何 SonicWall 设备时，请仅使用屏蔽电缆，以减少对无线电通信服务造成干扰的可能性。使用屏蔽电缆可以确保在预期的环境中保持相应的 EMC 分类。对于并行打印机，可以从 SonicWall™ 得到电缆。如果您需要，您可以从环球网

<https://www.sonicwall.com> 向 SonicWall™ 订购一条电缆。

SonicWall 已確定該產品是 乙類產品。每一節均提供了某個國家或地區特定的電磁兼容性/EMI 或產品安全信息。

電磁相容

電磁干擾(EMI)是任何訊號或放射，輻射在廣闊的空間指引電源或訊號導引，其將危及廣電導航功能或其它安全服務，或降低產品效能，阻擾，或重複地岔斷一個廣電通訊服務。無線電通訊服務包含但不限制於 AM/FM 業性廣播、電視、行動電話服務、雷達、空中交通管制、呼叫器及個人通訊服務(PCS)。這些已授權的廣電服務，和未授權的廣電服務，如同 WLAN 或 Bluetooth，與非有意輻射器如數位裝置，包括電腦系統，以適應電磁環境。

電磁相容(EMC)是指數種電子裝置在一電子環境下共同正常運作的能力。儘管該電腦系統經設計及確定符合管制單位對於 EMI 的限制，但不能保證在進行某些特定的安裝時其不會產生干擾。

SonicWall™ 產品皆經過設計、測試並依其電磁環境分類。這些電磁環境的分類通常是指下列的和諧定義：

- 乙類 產品是適用於住宅/家庭環境，但也可能使用於非住宅/非家庭的環境中。
 - ① 註：住宅/家庭環境是代表此產品使用的 10 公尺距離內運用廣播與電視接收器接收訊號的可能環境範圍。
- 甲類 產品是適用於非住宅/非家庭的環境。甲類產品也可以運用於住宅/家庭環境，但可能會造成干擾且要求用戶來作適當且正確的測量。

如果該裝置確實干擾無線電通訊服務，這可以透過開關該裝置來確定，您可以嘗試下列一種或多種方式來修正干擾：

- 改變接收天線的方向。
- 改變電腦相對於接收器的位置。
- 將電腦移離接收器。
- 將電腦插在不同的插座，使電腦與接收器位於兩個不同的分支電路上。

如有必要，請洽詢 SonicWall 支援代表，或熟練的廣電技術人員或 EMC 技術人員，以便獲得其他建議。

資訊技術設備(ITE)，包括週邊裝置、擴充卡、印表機、輸入/輸出裝置、顯示器等，這些整合或連接到系統上的裝置應該與電腦系統的電磁環境類別匹配。

關於屏蔽訊號纜線的 甲類通告：僅使用屏蔽訊號來連接周邊裝置至任何 SonicWall™ 裝置以減少廣電通訊服務可能的干擾。

使用屏蔽纜線能確保維持適當的預設環境電磁相容分類。使用屏蔽纜線能確保維持適當的預設環境電磁相容分類。對於並列印表機，SonicWall™ 供一條可用纜線。如果您想要，您可以從 SonicWall™ 全球網站 <https://www.sonicwall.com> 訂購一條纜線。

SonicWall 已決定此產品是一個 乙類產品。下列章節提供國家詳細的 EMC/EMI 或產品安全資訊。

Elektromagnetska kompatibilnost

Elektromagnetska interferencija (EMI) je bilo koji signal ili emitiranje koje se upućuje u slobodan prostor ili se kreće duž vodova napajanja ili signala, a koje ugrožava funkcioniranje radio navigacije ili druge sigurnosne usluge ili ozbiljno smanjuje, ometa ili kontinuirano prekida licenciranu uslugu radiokomunikacije. Usluge radiokomunikacije uključuju, ali se ne ograničavaju na AM/FM komercijalno emitiranje, televiziju, usluge mobitela, radar, kontrolu zračnog prometa, pager te usluge osobne komunikacije (PCS). Ovi licencirani radio servisi i nelicencirani, kao što su WLAN ili Bluetooth, zajedno s nenamjernim izvornima zračenja, a kakvi su digitalni uređaji, uključujući računalne sustave, stvaraju elektromagnetsko okruženje.

Elektromagnetska kompatibilnost (EMC) je sposobnost dijelova elektroničke opreme da u elektroničkom okruženju ostvaruju ispravno zajedničko funkcioniranje. Ovo računalo je dizajnirano i odlučno kako bi bilo u skladu s ograničenjima upravnih agencija za EMI, međutim, nema jamstva da neće doći do interferencija u određenoj instalaciji.

SonicWall™ proizvodi su dizajnirani, testirani i klasificirani za svoje namijenjeno elektromagnetskog okruženje. Ove klasifikacije elektromagnetskog okruženja općenito se odnose na sljedeće usklađene definicije:

- Proizvodi **Klase B** namijenjeni su za korištenje u rezidencijalnim/domaćinskim okruženjima, ali mogu se koristiti i u nerezidencijalnim/nedomaćinskim okruženjima.
 - ❗ **NAPOMENA:** Rezidencijalno/domaćinsko okruženje je okruženje u kojem se korištenje radijskog emitiranja i televizijskih prijemnika može očekivati unutar 10 m od mjesta korištenja proizvoda.
- Proizvodi **Klase A** namijenjeni su za korištenje u nerezidencijalnim/nedomaćinskim okruženjima. Proizvodi klase A mogu se koristiti u rezidencijalnim/domaćinskim okruženjima, ali mogu prouzročiti smetnje pa korisnik mora poduzeti mjere ispravka.

Ako ova oprema uzrokuje interferenciju s uslugama radiokomunikacije, što se može utvrditi ako uključite i isključite opremu, potičemo vas da pokušate ispraviti interferenciju poduzimanjem jedne ili više od sljedećih mjera:

- Okrenite antenu primatelja.
- Premjestite računalo s obzirom na prijemnik.
- Udaljite računalo od prijemnika.
- Uključite računalo u drugu utičnicu tako da su računalo i prijemnik na različitim strujnim krugovima.

Ako je potrebno, za dodatne prijedloge kontaktirajte predstavnika Tehničke podrške tvrtke SonicWall ili iskusnog radio/televizijskog ili EMC tehničara.

Oprema informacijske tehnologije (ITE), uključujući perifernu opremu, kartice za proširenje, pisače, ulazne/izlazne (I/O) uređaje, monitore i tako dalje, koja je integrirana ili spojena na sustav, trebala bi odgovarati klasifikaciji elektromagnetskog okruženja računalnog sustava.

Obavijest o zaštićenim signalnim kablomima: Za priključivanje periferne opreme na bilo koji uređaj tvrtke SonicWall™ koristite samo zaštićene kabele kako biste smanjili mogućnost interferencije s uslugama radiokomunikacije. Korištenje zaštićenih kabela osigurava održavanje odgovarajuće klasifikacije elektromagnetske kompatibilnosti za namijenjeno okruženje. Tvrtka SonicWall™ dobavlja kabele za paralelne pisače. Kabel možete naručiti od tvrtke SonicWall™ na web-mjestu <https://www.sonicwall.com>.

Tvrtka SonicWall je odlučila da je ovaj proizvod sukladan proizvodima **Klase B**. Sljedeći odjeljci pružaju informacije o EMC/EMI ili sigurnosti proizvoda specifične za određenu zemlju.

Elektromagnetická kompatibilita

EMI (ElectroMagnetic Interference [elektromagnetická interference]) je jakýkoli signál nebo emise, vysílané/vyzařované do volného prostoru nebo vedené podél napájecích či signálních vodičů, vedoucí k ohrožení správné funkce rádiové navigace či jiné bezpečnostní služby nebo k vážnému zhoršení, znemožnění či opakovanému přerušování licencované radiokomunikační služby. Rádiové komunikační služby zahrnují mimo jiné komerční vysílání SV a VKV, televize, mobilní služby, radar, řízení dopravy, pager a služby PCS (Personal Communication Services). Tyto licencované a nelicencované rádiové služby (například WLAN nebo Bluetooth) společně se zařízeními, jejichž vedlejším účinkem je záření (například digitální zařízení včetně počítačových systémů), přispívají k charakteristice elektromagnetického prostředí.

EMC (ElectroMagnetic Compatibility [elektromagnetická kompatibilita]) je schopnost jednotlivých elektronických zařízení správně společně fungovat v daném elektronickém prostředí. Přestože byl tento počítačový systém vyroben a zamýšlen tak, aby byl v souladu s normami regulačních společností pro elektromagnetické rušení, nezaručujeme, že při určitém typu instalace nemůže k rušení dojít.

Výrobky SonicWall™ jsou zkonstruovány, otestovány a klasifikovány pro zamýšlené elektromagnetické provozní prostředí. Klasifikace elektromagnetického prostředí obecně vychází z následujících harmonizovaných definic:



Produkty **třídy B** jsou určeny pro používání v obytném/domácím prostředí, ale mohou být rovněž používány v neobytném/nedomácím prostředí.

i Poznámka: V obytném/domácím prostředí lze předpokládat použití přijímačů rádiového a televizního vysílání ve vzdálenosti 10 m od místa použití produktu.

- Produkty **třídy A** jsou určeny pro používání v neobytném/nedomácím prostředí. Produkty třídy A mohou být rovněž používány v obytném/domácím prostředí, ale mohou způsobovat rušení a vyžadovat, aby uživatel provedl odpovídající opravná opatření.

Pokud zařízení způsobuje rušení radiových komunikačních služeb, což můžete otestovat vypnutím a zapnutím zařízení, můžete zkusit rušení eliminovat některým z následujících způsobů:

- Změňte orientaci 432e přijímací antény.
- Změňte polohu počítače vzhledem k přijímači.
- Umístěte počítač dále od přijímače.
- Zapojte počítač do jiné elektrické zásuvky tak, aby počítač a přijímač byly zapojeny v jiném elektrickém okruhu.

V případě nutnosti tento problém konzultujte se zástupcem technické podpory SonicWall nebo zkušeným radio/televizním technikem nebo slaboproudým technikem, kteří vám poskytnou dodatečnou nápravu.

Zařízení informační technologie (ITE), včetně periferních zařízení, přídatných desek, tiskáren, vstupních/výstupních (I/O) zařízení, monitorů apod., která jsou integrována nebo připojena k systému, by měla respektovat hodnoty elektromagnetického prostředí počítačového systému.

Sdělení o stíněných signálních kabelech: Ke snížení rizika interference s radiokomunikačními službami používejte k připojení periferních zařízení k jakémukoli zařízení firmy SonicWall™ výhradně stíněné kabely. Použitím stíněných kabelů zajistíte, že bude dodržena příslušná klasifikace EMC pro cílové prostředí. Společnost SonicWall™ poskytuje kabel pro paralelní připojení tiskáren. Nicméně kabel si můžete také objednat od společnosti SonicWall™ na Internetu, na adrese <https://www.sonicwall.com>.

Společnost SonicWall stanovila, že tento výrobek je harmonizován s **třídou B**. V následujících částech jsou uvedeny informace o klasifikaci 432e EMC/EMI či bezpečnostní informace specifické pro dané zařízení v uvedených zemích.

Elektromagnetisk kompatibilitet

EMI (elektromagnetisk interferens) er ethvert signal eller enhver udladning, der udstråles i det frie rum eller ledes langs strøm- eller signalkabler, der bringer funktionen af radionavigation eller andre sikkerhedstjenester i fare, eller som væsentligt forringer, forhindrer eller gentagne gange afbryder en licenseret radiokommunikationstjeneste. Radiokommunikationssystemer omfatter, men er ikke begrænset til, AM/FMudsendelser, TV, mobiltjenester, radar, kontrolsystemer til lufttrafik, personsøgere og personlige kommunikationstjenester. Disse radiotjenester på licens og radiotjenester uden licens, såsom WLAN eller Bluetooth, sammen med utilsigtede udstrålere, såsom digitalenheder, deriblandt computersystemer, bidrager til det elektromagnetiske miljø.

Elektromagnetisk kompatibilitet er udtryk for elektroniske komponenters evne til at fungere korrekt sammen i det elektroniskemiljø. Selvom dette computersystem er designet og bestemt til at overholde de gængse, fastlagte grænser for EMI, er der ingen garanti for, at interferens ikke vil kunne opstå i en bestemt installation.

SonicWall™-produkter er beregnede, testede og klassificerede til deres tiltænkte elektromagnetiske miljø. Disse elektromagnetiske miljøklassifikationer følger generelt følgende harmoniserede definitioner:

□

- **Klasse B** produkter er beregnet til brug i husholdningsmiljøer, men kan også anvendes i ikkehusholdningsmiljøer.

i Bemærk: Husholdningsmiljø er et miljø, hvor brugen af radio- og tvmodtagere kan forventes at være mindre end 10 meter væk fra det sted, hvor nærværende produkt bliver brugt.

Klasse A produkter er beregnet til brug i ikke-holdningsmiljøer. Klasse A produkter kan også bruges i husholdningsmiljøer, men vil muligvis forårsage interferens og påkræve, at brugeren foretager tilstrækkelige foranstaltninger.

Hvis dette udstyr forstyrrer radiokommunikationstjenester, som kan registreres ved at tænde og slukke for udstyret, opfordres du til at forsøge at rette forstyrrelsen ved at gøre følgende ting, en efter en:

- Flyt retningen på modtagerantennen.
- Flyt computeren i forhold til modtageren.
- Flyt computeren væk fra modtageren.
- Sæt computeren i en anden stikkontakt, så computer og modtager er tilsluttet forskellige strømgrene.

Kontakt om nødvendigt en repræsentant fra SonicWall tekniske support eller en erfaren radio/tv-tekniker eller EMC-tekniker for yderligere forslag.

Informationsteknologisk udstyr, herunder enheder, ekspansionskort, printere, input/output (I/O) -enheder, skærme, osv., som er indbygget i eller tilsluttet systemet, bør passe med computersystemets klassificering af elektromagnetisk forhold.

En bemærkning om afskærmende signalkabler: Brug kun afskærmede kabler til tilslutning af enheder til enhver SonicWall™-enhed for at reducere muligheden for forstyrrelse af radiokommunikationstjenester. Brug af afskærmede kabler sikrer, at den korrekte EMC-klassificering til det tilsigtede miljø opretholdes. Et kabel til parallel printere kan anskaffes fra SonicWall™. Du kan også bestille et kabel fra SonicWall™ på websideadressen <https://www.sonicwall.com>.

SonicWall har fastslået, at dette produkt er et **Klasse B**-harmoniseret produkt. De følgende afsnit giver landespecifik EMC/EMI-information eller oplysninger om produktsikkerhed.

Elektromagnetische compatibiliteit

Elektromagnetische storingen zijn in de vrije ruimte uitgestraalde of langs elektriciteits- of signaalkabels geleide signalen of emissies die de juiste werking van radionavigatiediensten en/of andere veiligheidsdiensten in gevaar brengen, de kwaliteit van een gemachtigde radiocommunicatiedienst ernstig aantasten of deze dienst hinderen dan wel herhaaldelijk onderbreken. Radiocommunicatiediensten omvatten, maar zijn niet beperkt tot, commerciële uitzendingen via AM/FM-radio, televisie-uitzendingen, mobiele diensten, radarfuncties, luchtverkeer, semafoons en persoonlijke communicatiediensten. Deze gemachtigde radiocommunicatiediensten en ongemachtigde radiocommunicatiediensten, zoals WLAN of Bluetooth, dragen samen met apparaten die onopzettelijk straling veroorzaken, zoals digitale apparaten en computersystemen, bij aan de elektromagnetische omgeving.

Elektromagnetische compatibiliteit (EMC) is het vermogen van elektronische apparatuur om probleemloos binnen een elektronische omgeving te kunnen functioneren. Hoewel deze computer is ontwikkeld om te voldoen aan de regelgeving met betrekking tot limietwaarden voor elektromagnetische storingen en voor dat doel geschikt is bevonden, kunnen wij niet garanderen dat er bij een bepaalde installatie geen storing optreedt.

SonicWall™-producten zijn ontworpen, getest en geclassificeerd voor de elektromagnetische omgeving waarvoor ze zijn bestemd. Deze classificaties voor de elektromagnetische omgeving hebben gewoonlijk betrekking op de volgende geharmoniseerde definities:

□

- **Klasse B**-producten zijn bestemd voor gebruik binnen woonomgevingen, maar kunnen eveneens binnen niet-woonomgeving worden gebruikt.

i Opmerking: Een woonomgeving is een omgeving waar naar alle waarschijnlijkheid gebruik wordt gemaakt van radio- en televisieontvangers die zich binnen 10 m afstand bevinden van de locatie waarop een dergelijk product wordt gebruikt.

Klasse A-producten zijn bestemd voor gebruik binnen niet-woonomgevingen. Klasse A-producten kunnen eveneens worden gebruikt in woonomgevingen, maar kunnen storing veroorzaken, in welk geval de gebruiker passende maatregelen dient te nemen.

Indien radiocommunicatiediensten als gevolg van het gebruik van deze apparatuur worden verstoord, hetgeen u kunt vaststellen door de apparatuur uit te schakelen en vervolgens weer in te schakelen, kunt u de storing als volgt proberen op te heffen:

- Richt de ontvangstantenne een andere kant op.
- Verplaats de computer ten opzichte van de ontvanger.
- Vergroot de afstand tussen de computer en ontvanger.
- Sluit de stekker van de computer aan op een ander stopcontact, zodat de computer en de ontvanger niet op dezelfde stroomgroep zijn aangesloten.

Raadpleeg indien nodig een medewerker van de technische ondersteuning van SonicWall, of een ervaren radio- of televisiereparateur voor aanvullend advies.

IT-apparatuur, zoals randapparatuur, uitbreidingskaarten, printers, input/output (I/O)-apparaten, monitors etc. die in de computer zijn ingebouwd of daarop zijn aangesloten dienen overeen te komen met de elektromagnetische omgevingsclassificatie van de computer.

Kennisgeving ten aanzien van afgeschermd signaalkabels: Gebruik uitsluitend afgeschermd kabels om randapparatuur aan te sluiten op SonicWall™-apparaten. Hierdoor wordt het risico van storing van radiocommunicatiediensten verlaagd. Gebruik beveiligde signaalkabels om er zeker van te zijn dat de juiste EMC-classificatie voor de bedoelde omgeving wordt gehandhaafd. Voor parallelle printers is een speciale kabel verkrijgbaar bij SonicWall™. Desgewenst kunt online een kabel bij SonicWall bestellen via <https://www.sonicwall.com>.

SonicWall heeft vastgesteld dat dit product een geharmoniseerd **Klasse B**-product is. De volgende gedeeltes bieden landspecifieke EMC/EMI- of productveiligheidsinformatie.

Elektromagnetiline ühilduvus

Elektromagnetiline häire (EMI) on mis tahes signaal või kiirgus, mis kiirgab vabas ruumis või mida antakse edasi elektri- või signaali juhtmete kaudu, mis ohustab raadionavigatsiooni- või muude ohutusteenistuste tööd või halvendab, takistab tõsiselt või katkestab korduvalt litsentseeritud raadiosideteenuseid.

Raadiosideteenused hõlmavad AM/FM-kommertsringhäälingut, televisiooni, mobiilsideteenuseid, radareid, õhuliikluse juhtimist, peileriteenust ja isikliku sideteenust (PCS), kuid ei piirdu nendega. Nimetatud litsentseeritud raadioteenused ja litsentseerimata teenused, näiteks WLAN või Bluetooth, ning soovimatu kiirguse allikad, näiteks digitaalseadmed, sh arvutisüsteemid, aitavad kaasa elektromagnetilise keskkonna tekkele.

Elektromagnetiline ühilduvus (EMC) on elektroonikaseadmete võime funktsioneerida elektroonilises keskkonnas nõuetekohaselt koos. Kuigi see arvutisüsteem on kavandatud vastama reguleeriva asutuse poolt kehtestatud EMI piiridele ja selles suhtes kontrollitud, ei saa garanteerida häirete puudumist konkreetsetes paigalduskohas.



SonicWall™ tooted on kavandatud, testitud ja klassifitseeritud ettenähtud elektromagnetilise keskkonna tarbeks. Nimetatud elektromagnetilised klassifikatsioonid viitavad üldiselt järgmistele kooskõlastatud definitsioonidele:

- **B-klassi** tooted on mõeldud kasutamiseks elamutes / koduses keskkonnas, kuid neid võib kasutada ka ühiskondlikes hoonetes / mittekoduses keskkonnas.

i Märkus: Elamu / kodune keskkond on keskkond, kus ringhäälingu raadiovastuvõtjaid ja telereid saab eeldatavasti kasutada 10 m raadiuses toote kasutamise kohast.

A-klassi tooted on mõeldud kasutamiseks ühiskondlikes hoonetes / mittekoduses keskkonnas. A-klassi tooteid võib kasutada ka elamutes / koduses keskkonnas, kuid need võivad põhjustada häireid ja nõuda kasutajapoolseid korrigeerivaid meetmeid.

Kui antud seade põhjustab häireid raadiosideteenustele, mida võib kindlaks teha seadet sisse ja välja lülitades, siis palume teil püüda häireid korrigeerida ühe või mitme alltoodud meetodi abil:

- Suunake vastuvõtuantenn mujale.
- Paigutage arvuti vastuvõtja suhtes ümber.
- Paigutage arvuti vastuvõtjast eemale.
- Ühendage arvuti teise toitepistikusse, et arvuti ja vastuvõtja oleksid erinevates vooluahelates.

Vajadusel pöörduge täiendavate soovitude saamiseks SonicWalli tehnilise toe esindaja või kogunud raadio/televisiooni- või EMC-tehnika poole.

Süsteemi integreeritud või ühendatud infotehnoloogiaseadmed, sh välisseadmed, laienduskaardid, printerid, sisend-/väljundseadmed, monitorid jne, peaksid omama arvutiga sama elektromagnetilist klassifikatsiooni.

Märkus varjestatud signaalikaablite kohta: Ühendage välisseadmed mis tahes SonicWall™ seadme külge ainult varjestatud kaablite abil, et vähendada häireid raadiosideteenustele. Varjestatud kaablite kasutamine tagab, et säilitate ettenähtud keskkonnale vastava EMC klassifikatsiooni. Jadaühendusega printeri kaabel on saadaval firmalt SonicWall™. Soovi korral saate tellida kaabli firmalt SonicWall™ veebiaadressilt <https://www.sonicwall.com>.

SonicWall kinnitab, et käesolev toode vastab **B-klassi** seadme nõuetele. Järgnevas jaotises on ära toodud riigipõhine EMC/EMI teave ning toote ohutusala teave.

Sähkömagneettisella yhteensopivuudella

Sähkömagneettinen häiriö (EMI) tarkoittaa signaalia tai säteilyä, joka siirtyy vapaassa tilassa tai voima- tai signaalilinjojen välityksellä ja vaarantaa radionavigoinnin tai muun turvapalvelun toimintaa tai heikentää tai estää luvanvaraista radioviestintäpalvelua tai toistuvasti keskeyttää sen. Radioviestintäpalveluja ovat muun muassa AM/FM-radiolähteykset, televisiolähteykset, matkapuhelinpalvelut, tutka, lennonjohto, hakulaitteet ja Personal Communication Services (PCS) -palvelut. Nämä luvanvaraiset radiopalvelut ja radiopalvelut, joihin lupaa ei tarvita, kuten WLAN tai Bluetooth, ja lisäksi tahattomat säteilylähteet, kuten digitaalilaitteet, esimerkiksi tietokonejärjestelmät, kuormittavat sähkömagneettista ympäristöä.

Sähkömagneettisella yhteensopivuudella tarkoitetaan sähkölaitteiden kykyä toimia yhdessä oikein sähkömagneettisessa ympäristössä. Tämä tietokone on suunniteltu siten, että sen aiheuttama sähkömagneettinen häiriö on säädösten sallimissa rajoissa, mutta häiriöitä voi silti esiintyä tietyissä käyttökohteissa.

SonicWall™-tuotteet on suunniteltu, testattu ja luokiteltu niille tarkoitettuja sähkömagneettisia ympäristöjä varten. Nämä sähkömagneettiset ympäristöluokitukset viittaavat yleensä seuraaviin yhdenmukaistettuihin määräyksiin:

□

- **Luokan B** tuotteet on tarkoitettu käytettäväksi asuin-/kotiympäristössä, mutta niitä voidaan käyttää myös muissa ympäristöissä.

i **Huomautus:** Asuin-/kotiympäristössä radio- ja televisiovastaanotinten voidaan olettaa olevan enintään 10 metrin päässä tuotteen käyttöpaikasta.

- **Luokan A** tuotteet on tarkoitettu käytettäväksi muussa kuin asuin-/kotiympäristössä. Luokan A laitteita voidaan käyttää myös asuin-/kotiympäristössä. Tämä saattaa kuitenkin aiheuttaa häiriöitä, mikä edellyttää käyttäjän korjaustoimia.

Sammuttamalla laitteen ja käynnistämällä sen uudelleen voit tarkistaa, aiheuttaako laite häiriöitä radioviestintäpalveluissa. Voit koettaa poistaa mahdollisia häiriöitä seuraavilla toimilla:

- Suuntaa vastaanottimen antenni uudelleen.

□

□

Muuta tietokoneen paikkaa suhteessa vastaanottimeen.

Siirrä tietokone kauemmaksi vastaanottimesta.

- Kytke tietokone toiseen pistorasiaan niin, että tietokone ja vastaanotin eivät ole samassa virtapiirissä.

Lisää ehdotuksia saat tarvittaessa ottamalla yhteyden SonicWallin teknisen tuen edustajaan, kokeneeseen radio-/televisioteknikkoon tai sähkömagneettiseen yhteensopivuuteen perehtyneeseen teknikkoon.

Tietotekniikkalaitteilla, mukaan luettuina oheislaitteet, laajennuskortit, tulostimet, tulo-/lähtölaitteet (I/O), monitorit ja niin edelleen, jotka on sisäänrakennettu tai yhdistetty tietokoneeseen, tulee olla sama sähkömagneettinen ympäristöluokitus kuin tietokoneella.

Ilmoitus suojaetuista signaalikaapeleista: Käytä vain suojattuja kaapeleita laitteiden yhdistämiseen mihin tahansa SonicWall™-laitteeseen radioviestintäpalveluiden häiriömahdollisuuden pienentämiseksi. Käytä suojattuja signaalikaapeleita sen varmistamiseksi, että asianmukainen sähkömagneettinen yhteensopivuusluokitus säilyy tarkoitetussa ympäristössä. Rinnakkaisporttiin kytkettäviä tulostimia varten SonicWall™-yhtiöltä on saatavana kaapeli. Halutessasi voit tilata kaapelin SonicWall™-yhtiöltä Internetin välityksellä osoitteesta www.sonicwall.com.

SonicWall on määrittänyt, että tämä tuote on **luokan B** kanssa harmonisoitu tuote. Seuraavissa kohdissa on maakohtaisia sähkömagneettista yhteensopivuutta koskevia ja EMI- tai tuoteturvallisuustietoja.

Compatibilité électromagnétique

Une interférence électromagnétique (EMI, Electromagnetic Interference) est un signal ou une émission, véhiculé(e) dans l'espace libre ou par des conducteurs électriques ou de signaux, qui peut mettre en danger le fonctionnement d'une radionavigation ou autre service de sécurité ou sérieusement dégrader, obstruer ou interrompre à maintes reprises un service de communications radio autorisé. Les services de communications radio incluent, de manière non limitative, les services de radiodiffusion commerciale AM/FM, la télévision, les services de téléphonie cellulaire, la radiodétection, le contrôle de la circulation aérienne, les récepteurs de radio messagerie et les systèmes GSM. Ces services radio autorisés et les services radio non-autorisés tels que WLAN ou Bluetooth, ainsi que les éléments rayonnants parasites involontaires tels que les appareils numériques, notamment les systèmes informatiques, contribuent à l'environnement électromagnétique.

La compatibilité électromagnétique est la capacité des éléments d'un équipement électronique à interagir correctement dans l'environnement électronique. Bien que ce système informatique ait été conçu pour être conforme aux limites de l'instance réglementaire des EMI, il n'y a aucune garantie concernant les interférences pouvant survenir dans une installation particulière.

Les produits SonicWall™ sont conçus, testés et classés pour l'environnement électromagnétique dans lequel il est prévu de les utiliser. Ces classifications font généralement référence aux définitions harmonisées suivantes :

- Les produits de **classe B** sont destinés à un fonctionnement dans un environnement résidentiel/familial mais peuvent également être utilisés dans des environnements autres que résidentiel/familial.

i Remarque: Dans un environnement résidentiel/familial, les postes de réception de transmission TV/radio doivent être utilisés à au moins 10 m de l'endroit où le produit est en fonctionnement.

- Les produits de **classe A** sont destinés à un fonctionnement dans un environnement non résidentiel/familial. Les produits de classe A peuvent également être utilisés dans un environnement

□

□

résidentiel/familial mais peuvent provoquer des perturbations radioélectriques, auquel cas l'utilisateur peut se voir obligé de prendre les mesures appropriées.

Si l'équipement crée effectivement des interférences avec des services de communications radio (ce qui peut être déterminé en l'éteignant et en l'allumant), l'utilisateur est encouragé à essayer de corriger ce phénomène en prenant l'une ou l'ensemble des mesures suivantes:

- Changer l'orientation de l'antenne de réception.
- Repositionner l'ordinateur en fonction du récepteur.

Éloigner l'ordinateur du récepteur.

Brancher l'ordinateur sur une autre prise, pour faire en sorte que l'ordinateur et le récepteur se trouvent sur différents circuits de dérivation.

Si nécessaire, consultez un représentant du support technique de SonicWall ou un technicien expérimenté en radio/télévision ou en compatibilité électromagnétique pour des suggestions supplémentaires.

Les équipements ITE (Information Technology Equipment [Équipements de technologie de l'information]), y compris les périphériques, les cartes d'extension, les imprimantes, les périphériques d'entrée/sortie (E/S), les moniteurs, etc., qui sont intégrés ou connectés au système devraient correspondre à la classification de l'environnement électromagnétique du système informatique.

Avis concernant les câbles de transmission blindés: Afin de réduire la possibilité de perturbation des services de radiocommunication, n'utilisez que des câbles blindés pour connecter les périphériques aux dispositifs SonicWall™. L'utilisation de câbles blindés permet de rester dans la classification EMC pour l'environnement prévu. Pour les imprimantes parallèles, un câble est disponible auprès de SonicWall™. Si vous le souhaitez, vous pouvez commander un câble sur Internet, à l'adresse suivante: <https://www.sonicwall.com>.

SonicWall a déterminé que ce produit est un produit harmonisé de **classe B**. Les sections suivantes proposent, de façon spécifique aux pays ou zones géographiques, des informations EMC/EMI ou relatives à la sécurité des produits.

Elektromagnetischer Verträglichkeit

Elektromagnetische Störung (EMI) ist ein Signal oder eine Emission, die in den freien Raum abgegeben bzw. entlang von Strom- oder Signalleitungen geleitet wird und den Betrieb der Funknavigation oder anderer Sicherheitsgeräte beeinträchtigt bzw. deren Qualität extrem verschlechtert, behindert oder wiederholt lizenzierte Funkdienste unterbricht. Funkdienste umfassen kommerziellen MW-/UKW-Radio- und Fernsehrundfunk, Funktelefonien, Radar, Flugsicherung, Anrufmelder und Dienste für personenbezogene Kommunikation (PCS [Personal Communication Services]), sind jedoch nicht nur auf diese beschränkt. Diese Funkdienste mit und ohne Lizenz, wie z. B. WLAN oder Bluetooth, wie auch mit unbeabsichtigten Ausstrahlungsgeräten, wie digitale Geräte, einschließlich Computersystemen, tragen zum elektromagnetischen Umfeld bei.

Unter elektromagnetischer Verträglichkeit (EMV) versteht man die Fähigkeit elektronischer Bauteile, in einer elektronischen Umgebung störungsfrei zu funktionieren. Dieses Computersystem wurde zwar so konzipiert, dass die seitens der Behörden festgelegten Grenzwerte für EMI nicht überschritten werden; dennoch kann nicht ausgeschlossen werden, dass bei bestimmten Installationen nicht doch Störungen auftreten.

□

□

Computersysteme von SonicWall™ werden für die elektromagnetische Umgebung, in der sie eingesetzt werden sollen, konzipiert, getestet und klassifiziert. Diese elektromagnetischen Umgebungs-Klassifikationen beziehen sich im Allgemeinen auf die nachstehenden abgestimmten Definitionen:

- Produkte der **Klasse B** sind für den Gebrauch in Wohngebieten vorgesehen, können aber auch in anderen Umgebungen außerhalb von Wohngebieten eingesetzt werden.
 - **i Anmerkung:** Wohngebiete stellen eine Umgebung dar, in der Radioantennen und Fernsehempfänger innerhalb einer Entfernung von 10 m des Nutzungsgeräts eingerichtet sind.
- Produkte der **Klasse A** sind für den Gebrauch in Gebieten ohne Wohnbereiche vorgesehen. Produkte der Klasse A können auch in Wohngebieten eingesetzt werden, können aber u. U. Störungen verursachen und erfordern, dass der Benutzer entsprechende Maßnahmen trifft, um diese zu beseitigen.

Wenn dieses Gerät die Funkkommunikation durch Interferenzen beeinträchtigt, was durch Ein- und Ausschalten des Gerätes festgestellt werden kann, wird der Benutzer aufgefordert, die Störungen durch eine oder mehrere der folgenden Maßnahmen zu beheben:

- Die Empfangsantenne neu ausrichten.
- Die Position des Computers gegenüber dem Empfänger ändern.

Den Abstand zwischen Computer und Empfänger vergrößern.

Den Computer an eine andere Steckdose anschließen, sodass Computer und Empfänger über verschiedene Stromkreise versorgt werden.

Falls erforderlich, ist ein Mitarbeiter der technischen Supports von SonicWall oder ein erfahrener Radio-, Fernseh- oder EMV-Techniker für zusätzliche Empfehlungen zu Rate zu ziehen.

Geräte der Datenverarbeitung (ITE, Information Technology Equipment), dazu zählen u. A. Peripheriegeräte, Erweiterungskarten, Drucker, Ein- und Ausgabegeräte, Monitore usw., die in das System integriert oder angeschlossen sind, sollten der EMI-Klassifizierung des Computersystems entsprechen.

Hinweis zu abgeschirmten Signalkabeln: Verwenden Sie für den Anschluss von Peripheriegeräten an SonicWall™-Geräte ausschließlich abgeschirmte Kabel, um Störungen von Funkdiensten so weit wie möglich zu reduzieren. Durch abgeschirmte Kabel wird sichergestellt, dass die entsprechende EMV-Klassifikation für die vorgesehene Einsatzumgebung eingehalten wird. Für Paralleldrucker gibt es ein Kabel von SonicWall™. Sie können dieses Kabel von SonicWall™ im Internet unter <https://www.sonicwall.com> bestellen.

SonicWall hat befunden, dass es sich bei diesem Produkt um ein harmonisiertes Produkt der **Klasse B** handelt. Die folgenden Abschnitte bieten Länder-spezifische Informationen über EMC/EMI oder Produktsicherheit.

Ηλεκτρομαγνητική συμβατότητα

Ηλεκτρομαγνητική παρεμβολή (EMI) είναι κάθε σήμα ή εκπομπή που ακτινοβολείται στον χώρο ή άγεται σε καλώδια τροφοδοσίας ή σημάτων και θέτει σε κίνδυνο τη λειτουργία συστημάτων ασύρματης πλοήγησης ή άλλες υπηρεσίες ασφαλείας ή υποβαθμίζει, παρεμποδίζει ή διακόπτει επανειλημμένα μια αδειοδοτημένη υπηρεσία ασύρματων επικοινωνιών. Στις υπηρεσίες ασυρμάτων επικοινωνιών περιλαμβάνονται, ενδεικτικά, οι εμπορικές εκπομπές AM/FM, η τηλεόραση, η κινητή τηλεφωνία, τα ραντάρ, ο έλεγχος εναέριας κυκλοφορίας, η τηλεϊδιοποίηση και οι Υπηρεσίες Προσωπικής Επικοινωνίας (Personal Communication Services ή PCS). Αυτές οι αδειοδοτημένες και οι μη αδειοδοτημένες υπηρεσίες ασυρμάτων επικοινωνιών,

□

□

όπως το WLAN ή το Bluetooth, μαζί με ακούσιους πομπους όπως ψηφιακές συσκευές, συμπεριλαμβανομένων συστημάτων υπολογιστών, συμβάλλουν στο ηλεκτρομαγνητικό περιβάλλον.

Η ηλεκτρομαγνητική συμβατότητα (ΗΜΣ) είναι η δυνατότητα στοιχείων του ηλεκτρονικού εξοπλισμού να λειτουργούν ομαλά μαζί, μέσα σε ηλεκτρονικό περιβάλλον. Παρόλο που το συγκεκριμένο σύστημα υπολογιστή έχει σχεδιαστεί και έχει προσδιοριστεί ως συμβατό με τα όρια που καθορίζονται από το φορέα κανονισμών για ηλεκτρομαγνητικές παρεμβολές, δεν παρέχεται κανενός είδους εγγύηση ότι δεν θα υπάρξει παρεμβολή σε μία συγκεκριμένη εγκατάσταση.

Τα προϊόντα της SonicWall™ είναι σχεδιασμένα, ελεγμένα και κατηγοριοποιημένα σύμφωνα με το συγκεκριμένο ηλεκτρομαγνητικό περιβάλλον χρήσης τους. Αυτές οι κατηγορίες ηλεκτρομαγνητικού περιβάλλοντος αναφέρονται γενικά στους ακόλουθους εναρμονισμένους ορισμούς:

- Τα προϊόντα **κατηγορίας B** προορίζονται για χρήση σε οικιακά περιβάλλοντα, αλλά μπορούν επίσης να χρησιμοποιηθούν σε μη οικιακά περιβάλλοντα.

i Σημείωση: Οικιακό περιβάλλον είναι ένα περιβάλλον όπου η χρήση πομπών ραδιοσυχνοτήτων και τηλεοπτικών δεκτών μπορεί να είναι αναμενόμενη σε απόσταση 10 m από το σημείο που χρησιμοποιείται το προϊόν.

- Τα προϊόντα **κατηγορίας A** προορίζονται για χρήση σε μη οικιακά περιβάλλοντα. Τα προϊόντα κατηγορίας A μπορούν επίσης να χρησιμοποιηθούν σε οικιακά περιβάλλοντα, αλλά ενδέχεται να προκαλέσουν παρεμβολές και να απαιτηθεί η λήψη διορθωτικών μέτρων από το χρήστη.

Εάν αυτός ο εξοπλισμός προκαλέσει παρεμβολή σε υπηρεσίες ραδιοεπικοινωνιών, η οποία παρεμβολή διαπιστώνεται ενεργοποιώντας και απενεργοποιώντας τον εξοπλισμό, επιχειρήστε να διορθώσετε την παρεμβολή ενεργώντας ως εξής:

- Επαναπροσανατολισμός της κεραίας λήψης.
- Αλλαγή θέσης του υπολογιστή σε σχέση με το δέκτη.

Μετακίνηση του υπολογιστή μακριά από το δέκτη.

Σύνδεση του υπολογιστή σε διαφορετική πρίζα έτσι ώστε ο υπολογιστής και ο δέκτης να βρίσκονται σε διαφορετικά κυκλώματα.

Εάν είναι απαραίτητο, επικοινωνήστε με έναν τεχνικό υποστήριξης της SonicWall ή κάποιο εξειδικευμένο τεχνικό ραδιοφώνων/τηλεοράσεων ή ειδικό ΗΜΣ για περαιτέρω υποδείξεις.

Ο εξοπλισμός τεχνολογίας πληροφοριών (ΙΤΕ) που περιλαμβάνει περιφερειακά όπως κάρτες επέκτασης, εκτυπωτές, συσκευές εισόδου/εξόδου (I/O), οθόνες κ.λπ., και οι οποίες είναι ενσωματωμένες μέσα στο σύστημα ή συνδεδεμένες σε αυτόν, πρέπει να συμμορφώνεται με την κατηγορία ηλεκτρομαγνητικού περιβάλλοντος του υπολογιστή.

Σήμανση σχετικά με θωρακισμένα καλώδια σήματος: Χρησιμοποιείτε μόνο θωρακισμένα καλώδια για να συνδέσετε περιφερειακά σε οποιαδήποτε συσκευή SonicWall™ SonicWall, προκειμένου να μειωθεί η πιθανότητα παρεμβολών με υπηρεσίες ραδιοφωνικών επικοινωνιών. Η χρήση θωρακισμένων καλωδίων εξασφαλίζει ότι διατηρείται η κατάλληλη κατηγορία ΗΜΣ για το περιβάλλον χρήσης. Για παράλληλους εκτυπωτές, διατίθεται ένα καλώδιο από τη SonicWall™. Αν προτιμάτε, μπορείτε να παραγγείλετε ένα καλώδιο από τη SonicWall™ στο Web στη διεύθυνση <https://www.sonicwall.com>.

Η SonicWall έχει καθορίσει ότι το προϊόν αυτό είναι ένα εναρμονισμένο προϊόν **κατηγορίας B**. Οι παρακάτω ενότητες παρέχουν συγκεκριμένες για κάθε χώρα πληροφορίες ηλεκτρομαγνητικής συμβατότητας/ηλεκτρομαγνητικής παρεμβολής ή πληροφορίες ασφάλειας προϊόντος.

□

□

Elektromágneses kompatibilitás

Elektromágneses interferencián (EMI) azt a szabad térben kibocsátott vagy sugárzott, illetve a táp- vagy jeltovábbító vezetéseken továbbított jelet értjük, amely veszélyezteti a rádiónavigációs rendszerek vagy egyéb biztonsági szolgáltatások működését, illetve jelentős mértékben rontja, zavarja vagy időről időre megszakítja az engedélyezett rádió-távközlési szolgáltatást. A rádió-távközlési szolgáltatások közé tartozik (de nem kizárólagosan) a közép- és ultrarövid hullámú kereskedelmi rádióadás, a televízió, a mobiltelefonos szolgáltatások, a radar, a légiforgalom-irányítás, a személyhívó, valamint a személyi kommunikációs szolgáltatások (PCS). Ezek az engedélyezett és engedély nélküli rádiószolgáltatások, mint amilyen a WLAN vagy a Bluetooth, vagy a digitális eszközök – beleértve a számítógépes rendszereket – nem szándékos rádióhullámkibocsátásai mind részei az elektromágneses környezetnek.

Az **elektromágneses kompatibilitás** az elektronikus berendezések azon képessége, mely megfelelő együttműködést biztosít számukra az elektronikus környezetben. A számítógépes rendszer kialakításánál és meghatározásánál figyelembe vettük az elektromágneses interferenciára megadott hatósági határértékeket, azonban arra nézve nincs garancia, hogy a mindenkori telepítés helyén nem léphet fel ilyen interferencia.

A SonicWall™ számítógépek tervezése, tesztelése és osztályba sorolása a kívánt elektromágneses környezetnek megfelelően történik. Az elektromágneses környezet szerinti besorolás rendszerint az alábbi, harmonizált definíciókra épül:

- A „**B**” **osztályú** termékek lakókörnyezeti/otthoni használatra készültek, de más helyeken is használhatók.
i **Megjegyzés:** A lakókörnyezeti/otthoni környezet egy olyan környezet, ahol a rádió- és televízióadást vevő készülék a termék használati helyétől 10 m-es távolságon belül helyezkedik el.
- Az „**A**” **osztályú** termékek lakókörnyezeten kívüli/ nem otthoni használatra készültek. Az „**A**” osztályú termékek lakókörnyezeti/otthoni használatra is alkalmazhatók, de interferenciát okozhatnak, és megfelelő korrekciós intézkedéseket igényel a felhasználótól.

Ha a készülék zavart okoz a rádió-távközlési szolgáltatásokban (ez megállapítható a készülék ki- és bekapcsolásával), az alábbi intézkedésekkel próbálhatja kiküszöbölni az interferenciát:

- a vevőantenna átirányításával;
- a számítógép áthelyezésével a vevőkészülékhez képest;
a számítógép távolabbra helyezésével a vevőkészüléktől;
a számítógép más dugaszaljzatba kapcsolásával úgy, hogy azt a vevőkészüléktől eltérő áramköri ág táplálja.

Szükség esetén forduljon további tanácsért a SonicWall műszaki támogatásának képviselőjéhez, vagy egy tapasztalt rádió-, televízió- vagy EMC szerelőhöz.

A rendszerbe integrált vagy ahhoz csatlakoztatott információ-technológiai berendezéseknek (ITE), ide értve a külső eszközöket, bővítőkártyákat, nyomtatókat, adatbemeneti és -kimeneti (I/O) készülékeket, monitorokat stb. is, meg kell felelniük a számítógépes rendszer elektromágneses környezeti besorolásának.

Árnyékolt jelkábelekre vonatkozó előírás: SonicWall™ eszközhöz kizárólag árnyékolt kábellel csatlakoztasson periferikus eszközöket, hogy csökkentse a rádió-távközlési szolgáltatásokkal fellépő interferencia előfordulásának esélyét. Árnyékolt kábelelek használatával biztosíthatja a kívánt környezetnek megfelelő elektromágneses összeférhetőségi besorolást. Párhuzamos nyomtatókhoz a SonicWall™ saját gyártmányú kábelét ajánljuk. A kábel igény szerint megrendelhető a SonicWall™ honlapján is: <https://www.sonicwall.com>.

□

□

A SonicWall kijelenti, hogy a termék megfelel a „**B**” osztály követelményeinek. Az alábbi fejezetek országfüggetlen elektromágneses kompatibilitási vagy a termékre vonatkozó biztonsági információkat tartalmaznak.

Compatibilità elettromagnetica

L'**interferenza elettromagnetica (IEM)** è un qualsiasi segnale o emissione irradiata nello spazio o trasmessa tramite conduttori di alimentazione o di segnale, che compromette il funzionamento della radionavigazione o di altri servizi di sicurezza, o che disturba, ostacola gravemente o interrompe ripetutamente un servizio di radiocomunicazione abilitato. I servizi di radiocomunicazione comprendono, ma non sono limitati a trasmissioni commerciali AM/FM, televisione, servizi cellulari, radar, controllo del traffico aereo, cercapersone e servizi personali di comunicazione (PCS, Personal Communication Services). I presenti servizi radio concessi in licenza e i servizi radio non concessi in licenza, come WLAN o Bluetooth, insieme a trasmettitori non intenzionali, come i dispositivi digitali, inclusi i sistemi informatici, contribuiscono all'ambiente elettromagnetico.

La **compatibilità elettromagnetica (CEM)** è la capacità degli elementi dell'apparecchiatura elettronica di operare contemporaneamente in modo corretto nell'ambiente elettronico. Nonostante questo sistema informatico sia stato progettato e determinato essere conforme ai limiti di IEM dell'ente normativo, non vi è alcuna garanzia che non si verifichino interferenze in una particolare installazione.

I prodotti SonicWall™ sono progettati, esaminati e classificati per l'ambiente elettromagnetico desiderato. Le classificazioni dell'ambiente elettromagnetico fanno riferimento in genere alle seguenti definizioni armonizzate:

- I prodotti di **Classe B** sono destinati all'utilizzo in ambienti domestici/residenziali, ma possono essere utilizzati anche in ambienti non domestici/non residenziali.

i **N.B.** L'ambiente domestico/residenziale è un ambiente in cui si prevede l'utilizzo della trasmissione di ricevitori radio e televisivi entro una distanza di 10 m dal punto in cui viene utilizzato il prodotto.

- I prodotti di **Classe A** sono destinati all'utilizzo in ambienti non domestici/non residenziali. I prodotti di Classe A possono essere utilizzati anche in ambienti domestici/residenziali, ma possono provocare interferenza e richiedono all'utente di adottare misure correttive adeguate.

Qualora la presente apparecchiatura provocasse interferenze ai servizi di radiocomunicazione, che possono essere determinate accendendo e spegnendo l'apparecchiatura, si consiglia di correggere l'interferenza mediante una o più delle seguenti misure:

- Cambiare l'orientamento dell'antenna di ricezione.
- Cambiare la posizione del computer rispetto al ricevitore.
- Allontanare il computer dal ricevitore.

□

Collegare il computer ad una presa diversa, in modo che il computer e il ricevitore si trovino su diversi circuiti derivati.

Se necessario, consultare un rappresentante del supporto tecnico SonicWall o un tecnico esperto in radio/televisione o CEM per ulteriori suggerimenti.

L'apparecchiatura informatica (ITE), incluse periferiche, schede di espansione, stampanti, dispositivi di Input/Output (I/O), monitor e così via, che sono integrati o collegati al sistema devono appartenere alla stessa classificazione dell'ambiente elettromagnetico del sistema informatico.

Avviso sui cavi di trasmissione schermati: Utilizzare solo cavi schermati per collegare periferiche a ciascun dispositivo SonicWall™ per ridurre la possibilità di interferenza con i servizi di radiocomunicazione. L'utilizzo di cavi schermati garantisce che venga mantenuta la classificazione CEM appropriata per l'ambiente desiderato. Per stampanti parallele, è disponibile un cavo da SonicWall™. Se lo si preferisce, è possibile ordinare un cavo da SonicWall™ nel World Wide Web all'indirizzo <https://www.sonicwall.com>.

SonicWall ha determinato che questo prodotto è in armonia con la Classe B. Le seguenti sezioni forniscono

informazioni su CEM/IEM specifiche per il Paese o sulla sicurezza del prodotto. **電磁的両立性**

空間に放射されたり、電源コードやケーブルを経由して伝導されたりするあらゆる電波や放射物を **EMI**（電磁波障害）といいます。この電波や放射物が、無線操縦や他の安全業務の機能を危険にさらしたり、機能低下を招いたり、妨害したり、または無線通信業務を繰り返し中断させたりすることがあります。無線通信サービスには、AM/FM の商業放送、テレビ、および携帯電話の各種サービス、レーダー、航空交通管制、ポケットベル、PCS

（Personal Communication Services）などがありますが、これらに限定されません。これらの無線通信業務、および電波放射を目的としないデジタルデバイスや、コンピュータを含む **WLAN** または **Bluetooth** のような業務外無線通信は、電磁環境に影響を与えます。

EMC（電磁的両立性）とは、多数の電子機器が同一の環境で共に正常に動作する能力のことです。本コンピュータシステムは、認可機関の **EMI** に関する制限に準拠する設計がなされており、適合していますが、特定の設置条件で干渉が発生しないという保証はありません。

SonicWall™ 製品は、下記の使用環境目的に合わせた設計、試験、類別がなされています。これらの電磁環境の類別は、一般に以下の統一定義を表しています。

- クラス B 製品は家庭住宅環境用ですが、商工業環境用に使われることもあります。
 - ① **メモ**：家庭住宅環境とは、ブロードキャストラジオ（無線通信）およびテレビ受信機を、この製品から半径 10 m 以内でご使用になる環境のことです。
- クラス A 製品は商工業環境用です。クラス A 製品を家庭住宅環境でご使用になれる場合もありますが、妨害が生じ、ユーザーが適切な措置を講じなければならないことがあります。

この装置が無線通信サービスに対して干渉するかどうかはその装置の電源をオンまたはオフにすることによって判定できますので、以下の方法を 1 つまたはそれ以上実施して問題を解決してください。

- 受信アンテナの方向を変えてください。
- 受信機に対してコンピュータを再配置してください。
- 受信機からコンピュータを遠ざけてください。

- 컴퓨터를別のコンセントにつないで、コンピュータと受信機を別々の分岐回路上に置いてください。

必要に応じて、詳細についてデルテクニカルサポート担当者または経験豊富なラジオおよびテレビの技術者、または EMC の技術者にご相談ください。

ITE (情報技術機器: Information Technology Equipment) は、周辺機器、拡張カード、プリンタ、入出力

(I/O) 装置、モニタなどを含み、コンピュータシステムに統合または接続されるもので、コンピュータシステムの電磁環境の分類に適合しなければなりません。

シールド付き信号ケーブルに関する注意: 周辺機器の SonicWall™ 製装置への接続にはシールド付きケーブルのみを使用して、無線通信サービスとの干渉の可能性を減らしてください。シールド付きケーブルの使用により、目的とする環境に適した EMC 分類基準を満たします。★削除★パラレルプリンターケーブルは、SonicWall™ からお問い合わせいただけます。また、SonicWall™ のウェブサイト <https://www.sonicwall.com> でケーブルをご注文いただくこともできます。

デルは、この製品がクラス B の協調製品であることを明確にしています。以下の項には、各国固有の

EMC/EMI または製品の安全性に関する情報が記載されています。 전자기 호환성

전자기 간섭 (EMI) 은 빈 공간에서 방사되거나 전원 또는 신호 리드를 따라 유도되는 신호나 방사 물질로서, 무선 항행의 기능이나 기타 안전 서비스에 방해가 되며 허가를 받은 무선 통신 서비스의 품질을 심각하게 저하, 차단 또는 반복적으로 간섭합니다. 무선 통신 서비스에는 상업용 AM/FM 라디오 방송, TV, 휴대 통신 서비스, 레이더, 항공 관제소, 호출기 및 PCS (Personal Communication Service) 등을 비롯한 기타 서비스가 포함됩니다. 이러한 인가된 무선 서비스 및 컴퓨터 시스템을 포함하는 디지털 장치와 같은 비의도성 복사장치와 함께 WLAN 또는 Bluetooth 와 같은 인가되지 않은 무선 서비스는 전자파 환경 문제의 원인입니다.

전자기 호환성 (EMC Electro Magnetic Compatibility) 는 전자기 환경에서 전자 장치가 올바르게 작동할 수 있도록 하는 기능입니다. 본 시스템은 규정 기관의 EMI 관련 규제사항에 따라 설계되었으며 이에 부합한다는 판정을 받았으나, 경우에 따라 전자파 장애가 발생할 수 있습니다.

SonicWall™ 제품은 전자기 환경에 적합하도록 설계되고 검사를 거쳐 등급을 취득한 제품입니다. 일반적으로 이러한 전자기 환경 등급은 다음과 같은 국제 표준 준수 내용을 나타냅니다:

- B 등급 제품은 주거/국내 환경에서 사용하도록 의도되었지만 비주거/국외 환경에서도 사용할 수 있습니다.
 - ① 주: 주거/국내 환경은 라디오 및 TV 방송 수신기가 제품이 사용되는 곳으로부터 10 m 이내인 환경을 말합니다.
- A 등급 제품은 비주거/국외 환경에서 사용하도록 의도되었습니다. A 등급 제품은 주거/국내 환경에서 사용할 수도 있지만 전파 간섭을 일으킬 수 있으며 사용자의 적절한 조치를 필요로 합니다.

본 장치가 무선 통신 서비스 전파 장애를 일으키는 경우, 장치를 켜다가 다시 켜 본 다음, 다음과 같은 방법으로 장애를 해결하십시오.

- 수신 안테나의 방향을 바꾸십시오.
- 수신기에 영향을 주는 컴퓨터의 위치를 변경하십시오.
- 수신기와 컴퓨터를 멀리 떨어뜨려 놓으십시오.

- 수신기와 컴퓨터가 회로를 공유하지 않도록 컴퓨터의 전원 콘센트를 다른 곳에 꽂으십시오.

필요한 경우 SonicWall 기술 지원 담당 직원이나 숙련된 라디오/TV 또는 EMC 기술자에게 문의하여 도움을 받으십시오.

시스템에 장착하는 주변장치, 확장 카드, 프린터, I/O 장치, 모니터 등과 같은 ITE (Information Technology Equipment) 는 시스템의 전자기 환경 등급과 일치하는 제품을 사용해야 합니다.

피복된 신호 케이블에 대한 주의사항: 무선 통신 서비스와의 장애를 줄이려면, SonicWall™ 시스템에 주변장치를 연결할 때 피복된 케이블 만을 사용하십시오. 피복된 케이블을 사용하면 해당 전자기 환경에 적합한 EMC 등급을 유지할 수 있습니다. 병렬 프린터의 경우, SonicWall™ 의 케이블을 사용할 수 있습니다. 원하면 SonicWall™ 의 월드 와이드 웹 (<https://www.sonicwall.com>) 에서 케이블을 주문할 수 있습니다.

SonicWall 은 이 제품이 국제 표준 준수 B 등급 제품임을 확인합니다. 다음 각 항목에서는 국가별 EMC/EMI 또는 제품 안전 정보에 대해 설명합니다.

Elektromagnētiskā saderība

Elektromagnētiskie traucējumi (EMT) ir jebkurš signāls vai izstarojums, kas tiek izstarots brīvā telpā vai izplatās pa elektrobarošanas vai signālu vadiem un apdraud radio navigācijas vai citu drošības ierīču darbību vai arī nopietni pasliktina, traucē vai atkārtoti pārtrauc licencētos radiosakarus. Ar radiosakariem jāsaprot, bet tie neierobežojas ar šādiem sakaru veidiem: AM/FM komerciālā apraide, televīzija, mobilie sakari, radars, aviodispečeru dienests, peidžeri, un personālie sakari (PCS). Šie licencētie radiosakari, kā arī nelicencētie radiosakari, piemēram, lokālie bezvadu datortīkli un Bluetooth, kopā ar citām nespecifiskām radioizstarojošām ierīcēm, kādas ir datoru sistēmas, veido elektromagnētisko vidi.

Elektromagnētiskā saderība (EMS) ir elektroniskās aparatūras spēja bez traucējumiem funkcionēt kopējā elektromagnētiskajā vidē. Lai gan šī datorsistēma ir projektēta un atzīta par atbilstošu reglamentējošās iestādes noteiktajām elektromagnētisko traucējumu robežvērtībām, nav garantijas, ka konkrētajā uzstādīšanas vietā nebūs elektromagnētisko traucējumu.

SonicWall™ izstrādājumi ir projektēti, pārbaudīti, klasificēti un atzīti par piemērotiem darbam tiem paredzētajā elektromagnētiskajā vidē. Šī elektromagnētiskās vides klasifikācija vispārējā gadījumā var tikt attiecināta uz šīm saskaņotajām definīcijām:

- **B klases** izstrādājumi ir paredzēti lietošanai sadzīves/mājas apstākļos, taču tos var lietot arī apstākļos, kas nav sadzīves/mājas apstākļi.
 - ⓘ **Piezīme.** Sadzīves/mājas apstākļi ir tādi apstākļi, kuros ir paredzams, ka sadzīves radio vai televīzijas uztvērēji tiks lietoti līdz 10 m attālumā no šā izstrādājuma.
- **A klases** izstrādājumi ir paredzēti lietošanai apstākļos, kas nav sadzīves/mājas apstākļi. A klases izstrādājumus var lietot arī sadzīves/mājas apstākļos, taču šādā gadījumā tie var radīt elektromagnētiskos traucējumus, kā rezultātā lietotājam var būt nepieciešams veikt atbilstošus korigējošus pasākumus.

Ja šī aparatūra rada elektromagnētiskos traucējumus radiosakariem, ko var noteikt, ieslēdzot un izslēdzot aparatūru, traucējumu mazināšanai rīkojieties šādi:

- Mainiet uztverošās antenas orientāciju.
- Pārvietojiet datoru attiecībā pret uztvērēju.
- Pārvietojiet datoru tālāk no uztvērēja.

- Pievienojiet datoru citai elektrotīkla kontaktligzdai tā, lai dators un uztvērējs darbotos no dažādām elektrotīkla atzarojumu līnijām.

Vajadzības gadījumā konsultējieties ar SonicWall tehniskā atbalsta dienesta pārstāvi vai ar pieredzējušu radio/televīzijas vai EMS speciālistu.

Informācijas apstrādes aparatūrai (IAA), tai skaitā perifērijas ierīcēm, paplašinājuma kartēm, printeriem, ievada/izvada (I/O) ierīcēm, monitoriem u.c., kas ir iebūvētas sistēmā vai pievienotas tai, jāatbilst elektromagnētiskajai videi, kas ir noteikta šai datoru sistēmai.

Piezīme par ekranētajiem signālu kabeliem. Lai samazinātu elektromagnētisko traucējumu ietekmi uz radiosakariem, perifērijas ierīču pievienošanai jebkurai SonicWall™ iekārtai izmantojiet vienīgi ekranētus kabelus. Ekranētu kabelu izmantošana nodrošina aparatūras atbilstību noteiktai EMS klasifikācijai attiecīgajā elektromagnētiskajā vidē. Printeriem ar paralēlo interfeisu var iegādāties firmā SonicWall™ ražotus kabeli. Ja vēlaties, varat pasūtīt firmas SonicWall™ kabeli tīmekļa vietnē <https://www.sonicwall.com>.

SonicWall nosaka, ka šis produkts ir **B klases** harmonizētais produkts. Nākamajās sadaļās sniegta informācija par EMC/EMI vai produkta drošību, kas attiecas uz konkrētām valstīm.

Elektromagnētiskais suderinamums

Elektromagnētiskie trikdžiai (EMI) yra bet koks signalas ar emisija, spinduliuojama į erdvę arba siunčiama maitinimo ar signalų perdavimo laidais, kuri kelia grėsmę radijo žvalgymo ar kitoms saugos tarnybos arba smarkiai sumenkina, trukdo ar pakartotinai pertraukia licencijuotą radijo komunikaciją. Radijo komunikaciją apima tokias tarnybas kaip komercinės radijo transliacijos AM (FM) bangomis, televiziją, mobiliojo ryšio tarnybas, radarus, oro erdvės kontrolės prietaisus, pranešimų gaviklius ir asmenines ryšio priemones, bet jomis neapsiriboja. Tokios licencijuotos radijo ryšio tarnybos ir nelicencijuotos radijo ryšio tarnybos kaip WLAN arba „Bluetooth“, kartu su tam neskirtais spindulinio ryšio skaitmeniniais prietaisais, įskaitant kompiuterines sistemas, sudaro elektromagnetinę aplinką.

Elektromagnētiskais suderinamumas (EMC) yra elektroninės įrangos elementų geba kartu tinkamai funkcionuoti elektroninėje aplinkoje. Nors ši kompiuterinė sistema buvo sukurta ir pripažinta kaip atitinkanti EMI kontrolines spinduliuavimo ribas, negalima garantuoti, kad konkretaus įdiegimo atveju nekils jokių trikdžių.

„SonicWall™“ produktai yra sukurti, patikrinti ir klasifikuoti pagal jų numatytąją veikimo elektromagnetinę aplinką. Tokios elektromagnētinės aplinkos klasifikaciją paprastai atitinka tokias suderintas apibrėžtis.

- **B klasės** produktai yra skirti naudoti namų (gyvenamojoje aplinkoje), tačiau taip pat gali būti naudojami ir ne namų (ne gyvenamojoje) aplinkoje.
 - ⓘ **Pastaba:** Namų (gyvenamoji aplinka) yra aplinka, kurioje 10 m atstumu nuo tos vietos, kurioje naudojamas produktas, galima tikėtis radijo ir televizijos imtuvų naudojimo.
- **A klasės** produktai yra skirti naudoti ne namų (ne gyvenamojoje) aplinkoje. A klasės produktai taip pat gali būti naudojami namų (gyvenamosiose) aplinkose, tačiau gali kelti trikdžius ir naudotojui gali reikėti atitinkamų korekcijos priemonių.

Jeigu ši įranga trikdo radijo komunikaciją (nustatoma jungiant ir išjungiant įrangą), rekomenduojame jums pašalinti trikdžius vienu ar keliais iš tolesnių būdų.

- Pakoreguoti signalus priimančios antenos padėtį.
- Pakeisti kompiuterio vietą imtuvo atžvilgiu.
- Patraukti kompiuterį toliau nuo imtuvo.
- Įkišti kompiuterio maitinimo laidą kištuką į kitą elektros lizdą, kad kompiuteris ir imtuvas būtų maitinami iš skirtingų elektros grandinių.

Jeigu reikia, papildomų patarimų kreipkitės į „SonicWall“ techninio palaikymo tarnybos atstovą, patyrusį radijo ir televizijos prietaisų arba EMC mechaniką.

Inform432enių technologijų įranga (ITE), įskaitant periferinius įrenginius, išplėtimo plokštes ir korteles, spausdintuvus, įvesties (išvesties) (I / O) prietaisus, monitorius ir pan., kurie yra integruoti į sistemą ar prijungti prie jos, turi atitikti kompiuterinės sistemos elektromagnetinės aplinkos klasifik432eją.

Pastaba apie ekranuotus signalų perdavimo laidus. Norėdami prie bet kokio „SonicWall™“ prietaiso prijungti išorinius įrenginius, naudokite tikrai ekranuotus laidus. Tai padės sumažinti radijo komunik432enių tarnybų veiklos trikdžių tikimybę. Naudojami ekranuoti laidai užtikrina, kad jūs išlaikote skirtingai aplinkai numatomą EMC klasifik432eją. Lygiagrečiai prijungtiems spausdintuvams galima įsigyti laidą iš „SonicWall™“. Jeigu pageidaujate, galite užsisakyti laidą iš „SonicWall™“ internetu, adresu <https://www.sonicwall.com>.

„SonicWall“ nustatė, kad šis gaminys yra **B klasės** suderintas gaminys. Šiuose skyriuose pateikiama šaliai specifinė EMS / EMI arba gaminio saugos inform432eja.

Kompatibilità elettromanjetika

Interferenza Elettromanjetika (EMI) hi kwalunkwe sinjal jew emissjoni, li tigi rradjata fl-ispazju jew li tkun kondotta matul wajers tad-dawl jew signal leads, li tipperikola l-operat tan-navigazzjoni bir-radju jew ta' tagħmir ieħor tas-sigurtà, jew li tiddegrada serjament, tostakola, jew tinterrompi ripetutament servizz talkomunikazzjoni ta' radju liċenzjat. Is-servizzi tal-komunikazzjoni tar-radju jinkludu, iżda mhumiex limitati għal, xandiriet kummerċjali AM/FM, televiżjoni, servizzi ċellulari, radar, kontroll tat-traffiku ta' l-ajru, pager, u Servizzi ta' Komunikazzjoni Personali (Personal Communication Services - PCS). Dawn is-servizzi liċenzjati tarradju, u servizzi mhux liċenzjati tar-radju, bħal WLAN jew Bluetooth, flimkien ma' tagħmir li jixhet ir-radjazzjoni bħal tagħmir diġitali, li jinkludi sistemi tal-kompjuter, jikkontribwixxu għall-ambjent elettromanjetiku.

Kompatibilità Elettromanjetika (Electromagnetic Compatibility - EMC) hi l-kapaċità ta' oġġetti ta' tagħmir elettroniku li jaħdmu flimkien b' mod korrett fl-ambjent elettroniku. Għalkemm din is-sistema tal-kompjuter kienet iddisinjata u ddeterminata li hi konformi mal-limiti ta' l-aġenzija regolatorja għall-EMI, m'hemm l-ebda garanzija li l-interferenza mhix ser isseħħ f'installazzjoni partikolari.

Il-prodotti SonicWall™ huma ddisinjati, ittestjati, u kklassifikati għall-ambjent elettromanjetiku intenzjonat tagħhom. Dawn il-klassifikazzjonijiet ta' ambjent elettromanjetiku ġeneralment jirreferu għad-definizzjonijiet armonizzati li ġejjin:

- Prodotti ta' **Klassi B** huma intenzjonati għall-użu f'ambjenti residenzjali/domestiċi iżda jistgħu jintużaw ukoll f'ambjenti mhux residenzjali/mhux domestiċi.
i Nota: L-ambjent residenzjali/domestiku hu ambjent fejn l-użu ta' radju tax-xandir u riċevituri tateleviżjoni jistgħu jkunu mistennija f'distanza ta' 10 m minn fejn jintuża dan il-prodott.
- Prodotti ta' **Klassi A** huma intenzjonati għall-użu f'ambjenti mhux residenzjali/mhux domestiċi. Ilprodotti ta' Klassi A jistgħu jintużaw ukoll f'ambjenti residenzjali/domestiċi, iżda jistgħu jikkawżaw interferenza u jeħtieġu li l-utent jieħu miżuri korrettivi adegwati.

Jekk dan it-tagħmir jikkawża interferenza mas-servizzi tal-komunikazzjoni tar-radju, li jista' jiġi ddeterminat billi tixgħel u titfi t-tagħmir, inti m'hegġeġ biex tipprova tikkoreġi l-interferenza billi twettaq waħda jew iktar minn dawn il-miżuri li ġejjin:

- Dawwar l-antenna li qed tircievi s-sinjal.
- Poġġi l-kompjuter f' post ieħor fir-rigward tar-riċevitur.
- Poġġi l-kompjuter 'il bogħod mir-riċevitur.
- Ippluggja l-kompjuter f' outlet differenti biex b'hekk il-kompjuter u r-riċevitur ikunu fuq branch circuits differenti.

Jekk ikun meħtieġ, kellem lil rappreżentant tas-Support Tekniku ta' SonicWall jew lil tekniku tarradju/televiżjoni jew ta' I-EMC b'esperjenza, għal sugġerimenti addizzjonali.

Tagħmir tat-Teknoloġija ta' I-Informatika (Information Technology Equipment - ITE), li jinkludi tagħmir periferali, cards ta' I-espansjoni, printers, tagħmir input/output (I/O), monitors, eċċ., li huma integrati fissistema jew ikkonnettjati magħha, għandu jkollhom I-istess klassifikazzjoni ta' ambjent elettromanjetiku bħal dak tas-sistema tal-kompjuter.

Avviż dwar Kejbils Protetti tas-Sinjal: Uża biss kejbils protetti biex tikkonnettja tagħmir periferali ma' kwalunkwe tagħmir SonicWall™ biex tnaqqas il-possibbiltà ta' interferenza ma' servizzi tal-komunikazzjoni tarradju. Li tuża kejbils protetti jiżgura li inti żżomm il-klassifikazzjoni EMC li suppost għall-ambjent intenzjonat. Għal parallel printers, hemm kejbil disponibbli mingħand SonicWall™. Jekk tippreferi, tista tordna kejbil mingħand SonicWall™ minn fuq I-Internet fuq <https://www.sonicwall.com>.

SonicWall iddeterminat li dan il-prodott hu prodott armonizzat ta' **Klassi B**. It-taqsimiet li ġejjin jipprovdu tagħrif dwar EMC/EMI li huma speċifiċi għal kull pajjiż, jew tagħrif dwar is-sigurtà tal-prodott.

Elektromagnetisk kompatibilitet

Elektromagnetiske forstyrrelser (EMI) viser til alle signaler eller all stråling som slippes rett ut eller følger strøm- eller signalledninger, og dermed forstyrrer radiobølger eller andre sikkerhetstjenester, eller forringer, blokkerer eller gir gjentatte forstyrrelser på en radiokommunikasjonstjeneste med lisens.

Radiokommunikasjonstjenester omfatter, men er ikke begrenset til, AM/FM-kringkasting, fjernsyn, mobiltelefonstjenester, radarer, lufttrafikk-kontroll, personsøkere og personlige kommunikasjonstjenester (PCS). Disse lisensierte og ulisensierte radiotjenestene, for eksempel WLAN eller Bluetooth, sammen med utstyr som emitterer utilsiktede stråler, for eksempel digitalt utstyr, herunder datasystemer, bidrar til det elektromagnetiske miljøet.

Elektromagnetisk kompatibilitet (EMC) er evnen elementer i elektronisk utstyr har til å fungere sammen på en tilfredsstillende måte i det elektroniske miljøet. Selv om dette datasystemet er konstruert og funnet å være i henhold til begrensninger i offentlige bestemmelser for EMI, er det ingen garanti for at det ikke forekommer forstyrrelser i en bestemt installasjon.

Produkter fra SonicWall™ er konstruert, testet og klassifisert for det elektromagnetiske miljøet de er beregnet på. Disse elektromagnetiske miljøklassifiseringene viser generelt til følgende harmoniserte definisjoner:

- **Klasse B**-produkter er beregnet på å brukes i boligmiljøer, men kan også brukes i andre områder.
i Merk: Boligmiljø er et område der det antas at radio- og fjernsynsmottakere blir brukt innenfor en radius av 10 m fra stedet der produktet blir brukt.
- **Klasse A**-produkter er beregnet på bruk utenfor boligmiljøer. Klasse A-produkter kan også brukes i boligområder, men da kan de forårsake forstyrrelser. Brukeren er da pålagt å treffe nødvendige tiltak for å unngå nevnte forstyrrelser.

Hvis utstyret forårsaker forstyrrelser på radiokommunikasjonstjenester, noe som kan avgjøres ved å slå utstyret av og på, oppfordres brukeren til å prøve å korrigere forstyrrelsen med ett eller flere av følgende tiltak:

- Snu eller flytte på mottakerantennen.
- Flytte datamaskinen i forhold til mottakeren.
- Flytte datamaskinen vekk fra mottakeren.
- Sett datamaskinen i en annen stikkontakt, slik at datamaskinen og mottakeren er på forskjellige strømkretser.

Ta eventuelt kontakt med en teknisk SonicWall-representant for kundestøtte, eller en erfaren radio/fjernsyns- eller EMC-tekniker for å få flere forslag.

ITE-utstyr (Information Technology Equipment), innbefattet enheter, utvidelseskort, skrivere, inngangs/utgangsenheter (I/U-enheter), skjermer, osv. som er integrert i, eller koplet til, systemet, skal samsvare med datasystemets klassifisering for elektromagnetisk miljø.

Merknad om skjermede signalkabler: Bruk bare skjermede kabler ved tilkøpling av eksternt utstyr til et SonicWall™-utstyr for å redusere muligheten for forstyrrelser på radiokommunikasjonstjenester. Bruk av skjermede kabler sikrer opprettholdelse av passende EMC-klassifisering for det aktuelle miljøet. En kabel for parallellskrivere kan skaffes fra SonicWall™. Du kan eventuelt også bestille en kabel fra SonicWall™ på Internett på <https://www.sonicwall.com>.

SonicWall har fastslått at produktet er et harmonisert produkt i **klasse B**. De påfølgende avsnittene inneholder spesifikke bestemmelser for EMC/EMI eller sikkerhetsopplysninger om produktet, for hvert land.

Zgodność elektromagnetyczna

Zakłóceniem elektromagnetycznym (EMI) jest dowolny sygnał lub wypromieniowana w przestrzeń albo przesyłana przez przewody zasilania lub sygnałowe emisja, która stanowi zagrożenie dla funkcjonowania nawigacji radiowej bądź innych usług bezpieczeństwa lub poważnie pogarsza, blokuje bądź wielokrotnie przerywa licencjonowaną łączność radiową. Usługi komunikacji radiowej obejmują w szczególności emisję programów telewizyjnych i radiowych, usługi telefonii komórkowej, skanowanie radarowe, kontrolę lotów powietrznych, usługi przywoływania (pagery) oraz usługi komunikacji osobistej PCS (Personal Communication Services). Koncesjonowane usługi radiowe, takie jak stosowane w sieciach WLAN lub technologii Bluetooth, wraz z przypadkowymi nadajnikami, takimi jak urządzenia cyfrowe z systemami komputerowymi włącznie, składają się na środowisko elektromagnetyczne.

Zgodność elektromagnetyczna (EMC) jest to zdolność urządzeń elektronicznych do prawidłowego funkcjonowania w środowisku elektromagnetycznym. Mimo że omawiany system komputerowy został zaprojektowany i wykonany zgodnie z prawnymi normami określającymi maksymalne poziomy zakłóceń elektromagnetycznych, nie istnieje żadna gwarancja, że w jakiejś konkretnej instalacji nie wystąpią interferencje.

Produkty firmy SonicWall™ są projektowane, testowane i klasyfikowane pod względem charakterystyki docelowego środowiska elektromagnetycznego. Klasyfikacje środowiska elektromagnetycznego zazwyczaj odwołują się do poniższych określeń:

- Produkty **klasy B** są przeznaczone do użytku domowego (w środowisku domowym), ale mogą być również używane w innych miejscach.
i Uwaga: Przez środowisko domowe należy rozumieć takie środowisko, w którym odbiorniki radiowe i telewizyjne mogą znajdować się w odległości do 10 m od miejsca używania produktu.
- Produkty **klasy A** są przeznaczone do używania w innych środowiskach niż domowe. Produkty klasy A mogą być też używane w środowiskach domowych, przy czym mogą one powodować zakłócenia i wymagać od użytkownika podjęcia właściwych działań zaradczych.

Jeśli okaże się, że sprzęt ten powoduje zakłócenia radiowych usług komunikacyjnych (co można ustalić włączając go i wyłączając), poziom zakłóceń można zmniejszyć na jeden bądź kilka z poniższych sposobów:

- zmiana ustawienia anteny odbiorczej.
- zmiana położenia komputera względem odbiornika.
- odsunięcie komputera od odbiornika.
- podłączenie komputera do innego gniazda elektrycznego, aby komputer i odbiornik znajdowały się w osobnych odgałęzieniach sieci elektrycznej.

W razie konieczności należy skonsultować się z przedstawicielem działu pomocy technicznej firmy SonicWall™, doświadczonym technikiem RTV lub technikiem zajmującym się zgodnością elektromagnetyczną, w celu uzyskania dodatkowych wskazówek.

Podłączany lub włączany do systemu sprzęt komputerowy, łącznie z urządzeniami peryferyjnymi, kartami rozszerzeń, drukarkami, urządzeniami wejścia/wyjścia, monitorami itd., powinien odpowiadać systemowi komputerowemu pod względem klasyfikacji dla docelowego środowiska elektromagnetycznego.

Uwaga dotycząca ekranowanych kabli sygnalizacyjnych: W celu zmniejszenia możliwości interferencji z usługami radiokomunikacyjnymi, do podłączania urządzeń peryferyjnych do jakiegokolwiek urządzenia SonicWall™ należy używać wyłącznie kabli ekranowanych. Korzystanie z kabli ekranowanych gwarantuje, że używane urządzenia rzeczywiście będą działały zgodnie z wymogami docelowego środowiska elektromagnetycznego. Kabel do drukarek równoległych można kupić w firmie SonicWall™. W razie potrzeby można go zamówić w firmie SonicWall™, na stronie internetowej <https://www.sonicwall.com>.

Firma SonicWall ustaliła, że ten produkt jest produktem zharmonizowanym **klasy B**. W poniższych punktach zostały podane informacje dotyczące standardów bezpieczeństwa, zgodności elektromagnetycznej i zakłóceń elektromagnetycznych (EMC/EMI), obowiązujących w poszczególnych krajach.

Compatibilidade eletromagnética

Interferência eletromagnética (EMI) é qualquer emissão ou sinal, irradiado no espaço livre ou conduzido por cabos de alimentação ou de sinal, que coloca em perigo o funcionamento de um serviço de rádio-navegação ou outro serviço de segurança ou degrada, obstrui ou interrompe seriamente e de forma repetida um serviço licenciado de comunicação de rádio. Os serviços de comunicação de rádio incluem (mas não se limitam a) transmissão comercial AM/FM, televisão, serviços de celular, radar, controle de tráfego aéreo, pager e PCS (Personal Communication Services [serviços de comunicações pessoais]). Estes serviços de rádio licenciados e os serviços de rádio não-licenciados, como WLAN ou Bluetooth, juntamente com os emissores não-intencionais, como dispositivos digitais, incluindo sistemas de computadores, contribuem para o ambiente eletromagnético.

EMC (Eletromagnetic Compatibility, compatibilidade eletromagnética) é a capacidade que alguns equipamentos eletrônicos têm de funcionar adequadamente no ambiente eletromagnético. Mesmo sendo este computador projetado de acordo com os limites e considerado em conformidade com os padrões definidos por órgãos de regulamentação para interferência eletromagnética, não há garantia de que não ocorrerá interferência em uma determinada instalação.

Os produtos da SonicWall™ são projetados, testados e classificados para o ambiente eletromagnético pretendido. Essas classificações de ambiente eletromagnético geralmente se referem às seguintes definições:

- Os produtos de **Classe B** destinam-se ao uso em ambientes residenciais ou domésticos, mas podem também ser usados em ambientes não-residenciais ou não-domésticos.
 - ⓘ **Nota:** O ambiente residencial ou doméstico é um ambiente no qual o uso de rádios e receptores de televisão é esperado dentro de um raio de 10 m a partir do ponto no qual este produto é usado.
- Os produtos de **Classe A** destinam-se ao uso em ambientes não-residenciais ou não-domésticos. Os produtos de Classe A podem ser usados em ambientes residenciais ou domésticos, mas podem provocar interferências, exigindo que o usuário tome as medidas corretivas adequadas.

Se o equipamento causar interferência nos serviços de comunicação de rádio, o que pode ser determinado ligando-se e desligando-se o equipamento, experimente corrigir a interferência através de uma ou mais das seguintes medidas:

- Mude a orientação da antena receptora.

- Mude o computador de lugar em relação ao receptor.
- Afaste o computador do receptor.
- Ligue o computador em outra tomada, de modo que o computador e o receptor fiquem em circuitos elétricos diferentes.

Se necessário, consulte a assistência técnica da SonicWall, um técnico de rádio/televisão experiente ou um técnico em compatibilidade eletromagnética para obter outras sugestões.

Os equipamentos de tecnologia da informação (ITE [Information Technology Equipment]), incluindo periféricos, placas de expansão, impressoras, dispositivos de entrada/saída (E/S), monitores, etc., que são integrados no sistema ou conectados a ele, devem ter a mesma classificação de ambiente eletromagnético do sistema de computador.

Aviso sobre cabos de sinal blindados: Use apenas cabos blindados para conectar periféricos aos dispositivos SonicWall™ para reduzir a possibilidade de interferência com serviços de comunicação de rádio. O uso de cabos blindados garante a manutenção da classificação apropriada de compatibilidade eletromagnética para o ambiente específico. A SonicWall™ oferece um cabo para impressoras paralelas. Se preferir, você pode adquirir o cabo da SonicWall™ na Internet em <https://www.sonicwall.com>.

A SonicWall determinou que este é um produto harmonizado **Classe B**. As seções a seguir contêm informações específicas de cada país sobre segurança do produto e sobre compatibilidade eletromagnética e interferência eletromagnética.

Compatibilidade electromagnética

Interferência electromagnética (EMI) é qualquer emissão ou sinal, irradiado no espaço livre ou conduzido por fiação de energia ou de sinal, que coloca em perigo o funcionamento de um serviço de rádio navegação ou outro serviço de segurança ou degrada seriamente, obstrui ou interrompe repetidamente um serviço licenciado de comunicação de rádio. Os serviços de comunicação de rádio incluem (mas não se limitam a) transmissão comercial AM/FM, televisão, serviços móveis, radar, controlo de tráfego aéreo, pager e PCS (Personal Communication Services [serviços de comunicações pessoais]). Estes serviços de rádio licenciados e os serviços de rádio não licenciados, tais como WLAN ou Bluetooth, juntamente com os emissores não intencionais, tais como dispositivos digitais, incluindo sistemas de computadores, contribuem para o ambiente electromagnético.

A Compatibilidade Electromagnética (EMC) é a capacidade de itens de equipamento electrónico funcionarem correctamente em conjunto num ambiente eléctrico. Embora este computador tenha sido concebido para estar em conformidade com os limites estabelecidos pelos órgãos de normalização sobre interferência electromagnética, não há garantias de que não ocorrerá interferência numa instalação específica.

Os produtos da SonicWall™ são projectados, testados e classificados para o ambiente electromagnético pretendido. Essas classificações de ambiente electromagnético geralmente referem-se às seguintes definições:

- Os produtos de **Classe B** foram concebidos para utilização em ambientes residenciais/domésticos, mas também para utilização em ambientes não residenciais/não domésticos.

i Nota: O ambiente residencial/doméstico é um ambiente no qual a utilização de receptores de transmissão de rádio e televisão é previsível numa distância de 10 m a partir do ponto no qual este produto é utilizado.

- Os produtos de **Classe A** foram concebidos para utilização em ambientes não residenciais/não domésticos. Os produtos de Classe A também podem ser utilizados em ambientes residenciais/domésticos, mas podem provocar interferências, exigindo que o utilizador tome medidas correctivas adequadas.

Se o echipamento provoca interferență în serviciile de comunicație de radio, o care poate fi determinat prin legătură sau nu de echipament, experimentați corectarea interferenței prin intermediul uneia dintre următoarele măsuri:

- Mutați direcția antenei receptoare.
- Mutați calculatorul de loc în raport cu receptorul.
- Distanțați calculatorul de receptor.
- Conectați calculatorul la altă priză, de modă ca calculatorul și receptorul să fie în circuite electrice diferite.

Se necesar, consultați un reprezentant al asistenței tehnice SonicWall, un tehnician de radio/televiziune experimentat sau un tehnician în compatibilitate electromagnetică pentru mai multe sugestii.

Echipamente de Tehnologie de Informație (ITE [Information Technology Equipment]), incluzând periferice, plăci de extensie, imprimante, dispozitive de intrare/surire (E/S), monitoare, etc., care sunt integrate în sistem sau conectate la el, trebuie să aibă aceeași clasificare de mediu electromagnetic de sistem de calculator.

Notă despre cablurile de semnal blindate: Utilizați numai cablurile blindate pentru a conecta periferice la orice dispozitiv SonicWall™ pentru a reduce șansa de interferență cu serviciile de comunicație de radio. Utilizarea cablurilor blindate garantează mentenanța clasificării adecvate de compatibilitate electromagnetică pentru mediu specific. SonicWall™ are un cablu pentru imprimante paralele. Dacă preferați, puteți achiziționa cablul SonicWall™ pe World Wide Web la <https://www.sonicwall.com>.

SonicWall a determinat că acest produs este în conformanță cu **Clasa B**. Următoarele secțiuni furnizează informații EMC/EMI specifice pentru țara sau de siguranță a produsului.

Compatibilitatea electromagnetică

Interferențele electromagnetice (EMI) reprezintă orice semnal sau emisie, radiat(ă) în spațiul liber sau transmis(ă) prin cabluri de alimentare sau de semnal, care periclitează funcționarea radionavigației sau a altor echipamente de siguranță sau care deteriorează grav, blochează sau întrerupe în mod repetat un serviciu de comunicație radio autorizat. Serviciile de comunicație radio includ, fără a se limita la: transmisiile comerciale AM/FM, transmisiile de televiziune, serviciile de telefonie mobilă, semnalele radar, serviciile de control al traficului aerian, serviciile de tip pager și serviciile de comunicație personale (PCS). Serviciile radio autorizate și cele neautorizate, cum ar fi transmisiile WLAN sau Bluetooth, precum și dispozitivele cu emisii neintenționate, cum ar fi dispozitivele digitale, inclusiv calculatoarele, contribuie la formarea mediului electromagnetic.

Compatibilitatea electromagnetică (EMC) reprezintă capacitatea echipamentelor electronice de a funcționa împreună, în mod corespunzător, în mediu electronic. Acest calculator a fost proiectat și testat pentru a respecta limitările impuse de autoritățile de reglementare pentru EMI; cu toate acestea, nu există nicio garanție că nu vor apărea interferențe în anumite sisteme.

Produsele SonicWall™ sunt proiectate, testate și clasificate pentru mediu electromagnetic în care vor fi utilizate. În general, clasificările pentru mediu electromagnetic se bazează pe definițiile armonizate de mai jos:

- Produsele de **clasa B** sunt destinate utilizării în medii rezidențiale/casnice, dar pot fi utilizate și în afara acestora.
 - ⓘ **Notă:** Mediu rezidențial/casnic este un mediu în care este posibil să fie utilizate dispozitive de recepție a transmisiilor radio și de televiziune la o distanță de până la 10 m de locul în care este utilizat produsul.
- Produsele de **clasa A** sunt destinate pentru utilizarea în afara mediilor rezidențiale/casnice. Produsele de clasa A pot fi utilizate și în medii rezidențiale/casnice, dar pot cauza interferențe și necesită adoptarea unor măsuri de corecție adecvate.

Dacă dispozitivul provoacă interferențe cu serviciile de comunicații radio, fapt ce poate fi stabilit prin oprirea și pornirea echipamentului, sunteți încurajat să încercați eliminarea interferenței aplicând una sau mai multe din următoarele măsuri:

- Reorientați antena de recepție.
- Schimbați locația calculatorului în raport cu dispozitivul de recepție.
- Mutați calculatorul la distanță de dispozitivul de recepție.
- Conectați calculatorul la o altă priză, astfel încât să acesta să fie conectat la o ramificație a rețelei electrice diferită de cea a dispozitivului de recepție.

Dacă este necesar, consultați un reprezentant al departamentului de suport tehnic SonicWall sau un tehnician cu experiență în domeniile radio/TV sau EMC pentru a primi alte sugestii.

Echipamentele informatice (ITE), inclusiv perifericele, plăcile de extensie, imprimantele, dispozitivele de intrare/ieșire (I/O), monitoarele și altele, care sunt integrate sau conectate la sistem, vor avea aceeași clasificare pentru mediile electromagnetice ca și calculatorul.

Atenționare privind cablurile de semnal ecranate: Pentru a reduce posibilitatea interferențelor cu serviciile de comunicații radio, utilizați numai cabluri ecranate pentru conectarea perifericelor la orice tip de dispozitiv SonicWall™. Utilizarea cablurilor ecranate asigură menținerea clasificării EMC adecvate pentru mediul în care este utilizat echipamentul. Pentru imprimantele paralele, SonicWall™ poate furniza cabluri corespunzătoare. Dacă preferați, puteți comanda un cablu de la SonicWall™ online accesând <https://www.sonicwall.com>.

SonicWall a stabilit că acest produs este în concordanță cu prevederile **Clasei B**. Următoarele secțiuni oferă informații CEM/IEM specifice pentru fiecare țară în parte sau informații privind siguranța produsului.

Электромагнитной совместимостью

Под электромагнитными помехами (EMI) понимается любой сигнал или излучение, излучаемые в свободное пространство или распространяющиеся по силовым или сигнальным проводам, которые ставят под угрозу работу системы радионавигации или другой службы обеспечения безопасности, либо значительно ухудшают, препятствуют или многократно прерывают работу лицензированной службы радиосвязи. К службам радиосвязи относятся, в частности, коммерческое радиовещание в диапазоне AM/FM, телевидение, сотовая связь, радиолокационные установки, авиадиспетчерские службы, пейджинговые службы и службы персональной связи (Personal Communication Services PCS). Эти лицензированные службы радиосвязи, а также нелицензированные службы радиосвязи, например, технологии WLAN или Bluetooth, в сочетании с источниками непреднамеренного излучения, например, цифровыми устройствами (включая компьютерные системы), формируют электромагнитную среду.

Электромагнитной совместимостью (Electromagnetic Compatibility EMC) называют способность электронного оборудования правильно работать в окружении электронных приборов. Хотя данная компьютерная система разработана и протестирована на соответствие стандартам, ограничивающим уровень электромагнитных помех, это не гарантирует отсутствие помех в конкретном месте установки.

Устройства SonicWall™ проектируются, тестируются и классифицируются в соответствии с определенной электромагнитной средой. Такая классификация по электромагнитному окружению обычно основана на следующих согласованных определениях.

- Устройства **класса B** предназначены для использования в домашних условиях, но также могут использоваться и в нежилых помещениях.

Примечание. Домашние условия - это условия, в которых телевизионные и радиоприемники могут использоваться на расстоянии 10 м от того места, где применяется данное устройство.

- Устройства **класса A** предназначены для использования в нежилых помещениях. Кроме того, устройства класса A могут использоваться в домашних условиях, но их использование может

привести к появлению помех. В этом случае пользователю потребуется принять меры по их устранению.

Если данное оборудование создает помехи в работе служб радиосвязи, что можно определить, отключив это оборудование и снова включив его, попытайтесь устранить помехи с помощью одного или нескольких указанных ниже способов.

- Переориентируйте приемную антенну.
- Измените положение компьютера относительно приемника.
- Отодвиньте компьютер от приемника.
- Подключите компьютер к другой розетке, так чтобы питание компьютера и приемника осуществлялось от разных электроцепей.

В случае необходимости дополнительных мер проконсультируйтесь с представителем службы поддержки корпорации SonicWall или опытным теле- и радиотехником.

Классификация информационно-технологического оборудования (Information Technology Equipment ITE), включая такое встроенное в систему или подключенное к ней оборудование, как периферийные устройства, платы расширения, принтеры, устройства ввода-вывода, мониторы и т.д., должна соответствовать классификации компьютерной системы по электромагнитной обстановке.

Предписание по экранированным сигнальным кабелям. Для подключения периферийных устройств к любому устройству SonicWall™ используйте только экранированные кабели, чтобы уменьшить вероятность возникновения помех для служб радиосвязи. Использование экранированных кабелей гарантирует поддержку соответствия электромагнитной классификации нужной среде. Кабель для подключения принтера к параллельному порту можно приобрести в корпорации SonicWall™. По желанию можно заказать кабель на веб-узле корпорации SonicWall™ по адресу: <https://www.sonicwall.com>.

Корпорация SonicWall заявляет, что это устройство является устройством **класса В**. В следующих разделах содержится специфическая информация по электромагнитной совместимости/помехам или по безопасности устройства для конкретной страны или группы стран.

Elektromagnetická kompatibilita

Elektromagnetická interferencia (EMI) je akýkoľvek signál alebo vysielanie, šírené vo voľnom priestore, v napájacích alebo signálnych vedeniach. EMI ohrozuje činnosť rádiových navigácií a iných bezpečnostných služieb a vážne znižuje, prekáža alebo opakovane ruší licencované rádiové vysielanie. Rádiokomunikačné služby obsahujú, ale nie sú ohraničené, vysielanie AM/FM, televízne vysielanie, služby mobilných operátorov, radar, leteckú dopravu, pager a služby osobnej komunikácie (PCS). Toto licencované a nelicencované rádiové vysielanie, ako napr. WLAN alebo Bluetooth, spolu s neúmyselnými žiaričmi ako napr. digitálne zariadenia vrátane počítačových systémov prispievajú k elektromagnetickému prostrediu.

Elektromagnetická kompatibilita (EMC) je schopnosť spoločného fungovania komponentov elektromagnetických zariadení v elektromagnetickom prostredí. Tento počítačový systém je navrhnutý tak, aby spĺňal limity EMI. Napriek tomu nie je zaručené, že v určitých konkrétnych inštaláciách nevznikne interferencia.

Produkty SonicWall™ sú konštruované, testované a klasifikované s ohľadom na stanovené elektromagnetické prostredie. Klasifikácia elektromagnetického prostredia sa vzťahuje k nasledujúcim harmonizovaným definíciám:

- Výrobky v **Triede B** sú určené na používanie v obytnom/domácom prostredí, avšak môžu byť používané aj v nie obytných/domácich prostrediach.

i Poznámka: Obytné/domáce prostredie je prostredie, kde je možné očakávať používanie rozhlasového alebo televízneho prijímača do vzdialenosti 10 metrov od miesta používania produktu.

- Produkty **Triedy A** sú určené na používanie v nie obytnom/domácom prostredí. Produkty triedy A môžu byť taktiež používané v obytnom/domácom prostredí, môžu však spôsobovať rušenie a vyžadujú, aby užívateľ prijal príslušné korekčné opatrenia.

Ak zariadenie ruší rádiokomunikačné služby, čo možno zistiť jeho zapnutím a vypnutím, pokúste sa rušeniu zabrániť niektorým z uvedených opatrení:

- Zmeňte orientáciu antény.
- Zmeňte umiestnenie počítača s ohľadom na prijímač.
- Odstráňte počítač z blízkosti prijímača.
- Zapojte počítač do inej zásuvky, tak aby nebol s prijímačom v spoločnom okruhu.

V prípade potreby kontaktujte zástupcu pre technickú podporu spoločnosti SonicWall alebo skúseného technika v oblasti rozhlasový/telefónny prijímač alebo EMC pre ďalšie otázky.

Informačné technologické zariadenie (ITE), vrátane periférnych doplnkových kariet, tlačiarň, vstupných/výstupných (I/O) zariadení, monitorov atď., ktoré sú integrované do systému, musia spĺňať požiadavky EMI.

Poznámka k tienovým signálnym káblom: Na pripájanie periférií k akémukoľvek zariadeniu SonicWall™ používajte iba tienené káble. Znížite možnosť interferencie s rádiokomunikačnými službami. Použitie tienených káblov zaručuje, že dodržíte príslušnú EMC klasifikáciu pre dané prostredie. Pre tlačiarne s paralelným portom môžete získať kábel od spoločnosti SonicWall™. Ak uprednostňujete nákup online, môžete si kábel objednať od spoločnosti SonicWall™ cez webovú stránku <https://www.sonicwall.com>.

Spoločnosť SonicWall vyhlasuje, že tento produkt je harmonizovaný s **Triedou B**. V nasledujúcej časti sa nachádzajú informácie o EMC/EMI alebo o bezpečnosti produktu, ktoré sú špecifické pre konkrétnu krajinu.

Elektromagnetna združlivosť

Elektromagnetna motnja (EMI) je katerikoli signal ali oddajanje, ki se prosto širi po zraku ali potuje po napajalnih ali signalnih kablích ter pri tem ogroža delovanje radijske navig432eje oziroma drugih varnostnih storitev ali resno škoduje, ovira oziroma moti licenčno storitev radijske komunik432eje. Radijske komunik432ejske storitve med drugim obsegajo komercialne oddaje na področjih AM/FM, televizijo, celične telefonske storitve, radar, nadzor letenja, pozivnike in storitve PCS (Personal Communication Services). Te licenčne radijske storitve in nelicenčne radijske storitve, kot sta WLAN ali Bluetooth, skupaj z nenamernimi oddajniki, kot so digitalne naprave, vključno z računalniškimi sistemi, prispevajo k elektromagnetnemu okolju.

Elektromagnetna združlivosť (EMC - Electromagnetic Compatibility) je zmožnost elektronskih naprav, da nemoteno skupaj delujejo v elektromagnetnem okolju. Ta računalniški sistem je bil sicer razvit tako, da je skladen z omejitvami za elektromagnetne motnje, ki jih predpisujejo upravni organi, in ustrezno preskušeno, vendar ni nobenega jamstva, da v določenem namestitvi ne bo prišlo do motenj.

Izdelki SonicWall™ so narejeni, preizkušeni in ocenjeni kot ustrezni za svoje elektromagnetno okolje. Te razvrstitve po elektromagnetnih okoljih se v splošnem nanašajo na naslednje usklajene definicije:

- Izdelki iz **razreda B** so namenjeni uporabi v bivalnih/domačih okoljih, a se lahko uporabljajo tudi v nebivalnih/nedomačih okoljih.

i Opomba: Bivalno/domače okolje je okolje, kjer se lahko pričakuje uporaba radijskega oddajanja in televizijskih sprejemnikov v razdalji 10 m od mesta, kjer se izdelek uporablja.

- Izdelki iz **razreda A** so namenjeni uporabi v nebivalnih/nedomačih okoljih. Izdelki iz razreda A se lahko uporabljajo v bivalnih/domačih okoljih, vendar lahko povzročajo motnje in uporabnik mora ustrezno ukrepati in jih odpraviti.

Če ugotovite, da naprava povzroča škodljive motnje radijskih komunikacijskih storitev (to storite tako, da napravo izklopite in znova vklopite), priporočamo, da jih skušate odpraviti z ukrepi, navedenimi spodaj:

- Spremenite položaj sprejemne antene.
- Spremenite položaj računalnika glede na sprejemnik.
- Premaknite računalnik proč od sprejemnika.
- Priključite računalnik in sprejemnik v različne vtičnice, tako da bosta v različnih tokokrogih.

Če je treba, se posvetujte s predstavnikom tehnične podpore SonicWall ali z izkušenim radio/televizijskim ali EMC tehnikom za dodatne nasvete.

Oprema za informacijsko tehnologijo, vključno z napravami, razširitvenimi karticami, tiskalniki, vhodno/izhodnimi napravami, monitorji itn., ki so integrirane v sistem ali priključene nanj, mora ustrezati okoljski razvrstitvi računalniškega sistema.

Obvestilo o oklopljenih signalnih kablji: Za povezovanje komponent na katerokoli napravo SonicWall™ uporabljajte samo oklopljene kable, s katerimi zmanjšate možnost motenj storitev radijske komunikacije. Uporaba oklopljenih signalnih kablov zagotavlja ustrezno stopnjo dušenja motenj za želeno okolje. Za vzporedne tiskalnike je na voljo kabel podjetja SonicWall™. Če želite, lahko kabel naročite pri podjetju SonicWall™ na spletnem naslovu <https://www.sonicwall.com>.

Družba SonicWall je ta izdelek označila kot izdelek **razreda B**. Naslednji deli nudijo EMC/EMI ali informacijske varni uporabi izdelkov za posamezne države.

Compatibilidad electromagnética

Una interferencia electromagnética (EMI, Electromagnetic Interference) es cualquier señal o emisión, radiada en el espacio o conducida a través de un cable de alimentación o señal, que pone en peligro el funcionamiento de la navegación por radio u otro servicio de seguridad, o degrada seriamente, obstruye o interrumpe de forma repetida un servicio de comunicaciones por radio autorizado. Los servicios de radiocomunicaciones incluyen, entre otros, emisoras comerciales de AM/FM, televisión, servicios de telefonía móvil, radar, control de tráfico aéreo, búsqueda de personas y servicios de comunicación personal (PCS, Personal Communication Services). Estos servicios de radio autorizados y servicios de radio no autorizados, como WLAN o Bluetooth, y los radiadores involuntarios, como dispositivos digitales, incluidos los sistemas informáticos, contribuyen al entorno electromagnético.

La compatibilidad electromagnética (EMC, Electromagnetic Compatibility) es la capacidad de los componentes del equipo electrónico de funcionar correctamente juntos en el entorno electrónico. Aunque este sistema se ha diseñado y ajustado para cumplir con los límites de emisión electromagnética establecidos por la agencia reguladora, no hay ninguna garantía de que no ocurran interferencias en una instalación en particular.

Los productos SonicWall™ están diseñados, probados y clasificados según los entornos electromagnéticos en que se usan. Estas clasificaciones de entornos electromagnéticos se refieren generalmente a las siguientes definiciones concertadas:

- Los productos de **Clase B** son para uso en entornos residenciales/domésticos, pero también pueden ser utilizados en entornos no residenciales/no domésticos.

i Nota: El entorno residencial/doméstico es un entorno en el que se anticipa el uso de receptores de radio y televisión emitidas dentro de una distancia de 10 m desde la ubicación del producto.

- Los productos de **Clase A** son para uso en entornos no residenciales/no domésticos. Los productos de Clase A pueden ser utilizados también en entornos residenciales/domésticos, pero pueden causar interferencias que requieran que el usuario tome las medidas correctivas oportunas.

Si este equipo provoca interferencias con servicios de comunicaciones por radio, lo que se puede determinar apagando y encendiendo el equipo, intente corregir dichas interferencias adoptando una o varias de las siguientes medidas:

- Cambie la orientación de la antena de recepción.
- Vuelva a ubicar el ordenador con respecto al receptor.
- Separe el ordenador del receptor.
- Conecte el ordenador a una toma de alimentación eléctrica diferente de forma que el ordenador y el receptor se encuentren en ramas distintas del circuito.

Si es necesario, consulte a un representante de la Asistencia técnica de SonicWall o a un técnico experimentado de radio/televisión o EMC para obtener consejos adicionales.

El equipo de tecnología de información (ITE, del inglés Information Technology Equipment), que incluye periféricos, tarjetas de expansión, impresoras, dispositivos de entrada/salida (E/S), monitores, etc., que están integrados en o conectados al sistema deben ajustarse a la clasificación del entorno electromagnético del sistema del ordenador.

Un aviso sobre cables de señales blindados: Utilice únicamente cables blindados para conectar dispositivos periféricos a todos los dispositivos SonicWall™ a fin de reducir la posibilidad de interferencia con los servicios de radiocomunicaciones. La utilización de cables blindados garantiza que se mantiene la clasificación apropiada EMC para el entorno pretendido. Para las impresoras en paralelo, se encuentra disponible un cable de SonicWall™. Si lo prefiere, puede pedir un cable de SonicWall™ en la web en <https://www.sonicwall.com>.

SonicWall ha determinado que este producto es un producto de **Clase B** unificado. En los apartados siguientes se proporciona información de seguridad del producto o de la EMC/EMI específica del país.

Elektromagnetisk kompatibilitet

EMI (Electromagnetic Interference [Elektromagnetisk störning]) är de signaler eller emissioner som utstrålas i fria utrymmen eller leds utmed kraft- eller signalkablar och som hotar funktionen i radionavigerings- eller andra säkerhetsmässiga tjänster, eller allvarligt försämrar, hindrar eller upprepade gånger avbryter en licensierad radiokommunikationstjänst. Radiokommunikationstjänster innefattar, men begränsas ej till, kommersiella AM/FM-utsändningar, television, mobiltelefoni, radar, flygledning, PCS (Personal Communication Services [Personsökare och digitala kommunikationstjänster (GSM)]). Dessa licensierade radiokommunikationstjänster och icke licensierade radiokommunikationstjänster så som WLAN eller Bluetooth, tillsammans med andra digitala kommunikationstjänster, inklusive datasystem, kan ofrivilligt släppa ifrån sig störningar som bidrar till den elektromagnetiska miljön.

EMC (Electromagnetic Compatibility [Elektromagnetisk kompatibilitet]) är den elektriska utrustningens förmåga att fungera ihop på ett tillfredsställande sätt i den elektromagnetiska miljön. Även om det här datorsystemet har utformats och är kompatibelt med regleringsgränsvärdena för EMI, lämnas inga garantier för att störningar inte kan uppstå vid en viss installation.

Produkter från SonicWall™ är utformade, testade och klassificerade för sina tilltänkta elektromagnetiska miljöer. Med dessa elektromagnetiska miljöklassificeringar menas vanligen följande definitioner:

- **Klass B** produkter är utformade för användning i bostadsmiljöer men kan även användas i ickebostadsmiljöer.

i Obs! En bostadsmiljö är en miljö där en radio eller en tevemottagare kan tänkas finnas inom 10 m av denna produkt.

- **Klass A** produkter är utformade för användning i icke-bostadsmiljöer. Klass A produkter kan även användas i bostadsmiljöer men kan då orsaka störningar där användaren får vidtaga lämpliga åtgärder.

Om utrustningen trots allt orsakar störningar i radiokommunikationstjänsten, vilket kan påvisas genom att utrustningen kopplas av och på, bör du försöka åtgärda störningen genom att vidta en eller flera av följande åtgärder:

- Rikta om den mottagande antennen.
- Placera om datorn i förhållande till mottagaren.
- Flytta bort datorn från mottagaren.
- Anslut datorn till ett annat strömuttag så att datorn och mottagaren ligger i olika grupper.

Kontakta SonicWalls tekniska support eller en radio/tele/EMC-tekniker för fler förslag.

Informationsteknikutrustning inklusive kringutrustning, tilläggskort, skrivare, in-/utdataenheter, bildskärmar och så vidare som är integrerade i eller anslutna till systemet, bör matcha datorsystemets elektromagnetiska miljöklassificering.

Information om skärmade signalkablar: Använd endast skärmade kablar när du ansluter kringutrustning till SonicWall-enheter för att minska risken för störningar av radiokommunikationstjänster. Genom att använda skärmade signalkablar försäkras du om att lämplig EMC-klassificering bibehålls för den avsedda miljön. För parallellskrivare finns kablar att tillgå från SonicWall™. Om du föredrar det kan du beställa en kabel från SonicWall™ på adressen <https://www.sonicwall.com>.

SonicWall har bedömt att den här produkten är en harmoniserad produkt i **klass B**. Följande avsnitt ger information om EMC/EMI eller produktsäkerhetsinformation för enskilda länder.

ความเข้ากันได้ทางแม่เหล็กไฟฟ้า

การรบกวนทางแม่เหล็กไฟฟ้า (EMI) คือ การที่สัญญาณ ญาณหรือการแพร่กระจายใดๆ

เกิดการแผ่รังสีในพื่นที่ว่างหรือเกิดการเหนี่ยวนำขึ้นตามสายไฟหรือสายสัญญาณ

ซึ่งจะส่งผลกระทบต่อการทำงาน ของระบบบนทางแบบคลื่นวิทยุ หรือการให้บริการด้านความปลอดภัย อื่นๆ นอกจากนี้ยังอาจลดความชัด เจนของสัญญาณ ขัดขวาง หรือรบกวนการติดต่อสื่อสารด้วยคลื่นวิทยุ ึ่งได้รับอนุญาตแล้ว การบริการการสื่อสารด้วยคลื่นวิทยุ ประกอบแต่ไม่มจำกัด เฉพาะที่การกระจายเสียง AM/FM ในเชิงพาณิชย์ โทรศัพท์ การบริการสื่อสารผ่านระบบเซลลูลาร์ เวดาร์ การควบคุม การจราจรทางอากาศ เพจเจอร์ และการบริการการสื่อสารส่วนบุคคล (PCS) ต่างๆ การบริการด้วยคลื่นวิทยุ ึ่งได้รับอนุญาต และการบริการด้วยคลื่นวิทยุ ึ่งไม่ได้รับอนุญาต เช่น WLAN หรือ Bluetooth รวมทั้ง อุปกรณ์ที่แผ่รังสีโดยไม่ได้ตั้งใจ เช่น ระบบคอมพิวเตอร์ ถือว่าเป็นส่วนหนึ่งของสภาพแวดล้อมทางแม่เหล็กไฟฟ้า

ความเข้ากันได้ทางแม่เหล็กไฟฟ้า (EMC)

เป็นความสามารถของอุปกรณ์อิเล็กทรอนิกส์ในการทำงานร่วมกัน ได้อย่างถูกต้อง ในสภาพแวดล้อมแบบอิเล็กทรอนิกส์ แม้ว่า ระบบคอมพิวเตอร์นี้ได้รับการออกแบบและกำหนดขึ้น มาเพื่อให้เป็นไปตามข้อกำหนด EMI จากหน่วยงานกักตุน แต่ไม่สมารถรับประกันได้ว่า การรบกวนจะไม่เกิดขึ้น ในระหว่างการทำงาน

ผลิตภัณฑ์ของ SonicWall™ ได้รับการออกแบบ ทดสอบ และจัดระดับสนามแม่เหล็กไฟฟ้าให้เหมาะสมตามประเภทของอุปกรณ์แล้ว โดยจะแบ่ง ออกเป็นสองระดับ ดังนี้:

- ผลิตภัณฑ์ **Class B** ได้รับการออกแบบเพื่อใช้งานภายในบ้าน/ที่พักอาศัย แต่อาจถูกใช้ในสภาพแวดล้อมที่ไม่ใช่บ้าน/ที่พักอาศัย ได้เช่นกัน **หมายเหตุ:** สภาพแวดล้อมภายในบ้าน/ที่พักอาศัย เป็นสภาพแวดล้อมที่มีการใช้เครื่องรับสัญญาณวิทยุและโทรทัศน์ในระยะห่าง 10 เมตรจากตำแหน่งที่ผลิตภัณฑ์นี้ถูกใช้งาน

- ผลิตภัณฑ์ **Class A** ได้รับการออกแบบเพื่อใช้งานในสภาพแวดล้อมที่ไม่ใช่บ้าน/ที่พักอาศัย นอกจากนี้ยังอาจใช้ผลิตภัณฑ์ Class A ภายในบ้าน/ที่พักอาศัยได้ แต่อาจก่อให้เกิดการรบกวน และผู้ใช้จำเป็นต้องดำเนินการแก้ไขที่เพียงพอ ถ้าอุปกรณ์ดังกล่าวก่อให้เกิดการรบกวนการติดต่อสื่อสารด้วยคลื่นวิทยุ ซึ่งสามารถแก้ไขได้โดยการปิดอุปกรณ์และเปิดใหม่อีกครั้ง เราขอแนะนำให้คุณทำตามขั้นตอนใดขั้นตอนหนึ่งต่อไปนี้เพื่อแก้ไขการรบกวน:

- ปรับทิศทางเสาอากาศรับสัญญาณ
- ปรับตำแหน่งคอมพิวเตอร์ให้สอดคล้องกับเครื่องรับ
- ย้ายคอมพิวเตอร์ให้ห่างจากเครื่องรับ
- เสียบปลั๊กคอมพิวเตอร์เข้ากับเต้าเสียบปลั๊กไฟอื่น เพื่อให้คอมพิวเตอร์และเครื่องรับใช้กระแสไฟจากแหล่งจ่ายต่างกันในกรณีที่เป็น ให้ปรึกษาเจ้าหน้าที่ฝ่ายสนับสนุน ด้านเทคนิคของ SonicWall หรือขอคำแนะนำเพิ่มเติมได้จากช่างเทคนิคที่มีประสบการณ์ด้านโทรทัศน์/วิทยุ หรือ EMC

อุปกรณ์เทคโนโลยีสารสนเทศ (ITE) รวมถึงอุปกรณ์ต่อพ่วง การ์ดต่างๆ เครื่องพิมพ์ อุปกรณ์อินพุต/เอาต์พุต (I/O) จอภาพ และอื่นๆ ซึ่งได้รวมเข้าหรือเชื่อมต่อกับระบบนี้ ควรจะตรงกับประเภทอุปกรณ์ที่ก่อให้เกิดสนามแม่เหล็กไฟฟ้าของระบบคอมพิวเตอร์นั้นๆ

ข้อสังเกตเกี่ยวกับสายสัญญาณหุ้มฉนวน: ให้ใช้สายหุ้มฉนวนเท่านั้นสำหรับเชื่อมต่ออุปกรณ์ต่อพ่วงเข้ากับอุปกรณ์ SonicWall™ ใดๆ เพื่อลดความเสี่ยงต่อการเกิดการรบกวนการสื่อสารด้วยคลื่นวิทยุ การใช้สายหุ้มฉนวนนั้นจะช่วยให้แน่ใจได้ว่า คุณสามารถรักษาการวัดประเภท EMC ที่เหมาะสมสำหรับสภาพแวดล้อมที่กำหนดไว้ได้ สำหรับเครื่องพิมพ์ที่มีพอร์ตขนาน สามารถขอสายสัญญาณจาก SonicWall™ ได้ หากท่านต้องการหาข้อมูลเพิ่มเติมเกี่ยวกับสายสัญญาณจาก SonicWall™ ได้ทางเว็บไซต์เว็บบที่ <https://www.sonicwall.com>

SonicWall ได้กำหนดให้ผลิตภัณฑ์นี้เป็นผลิตภัณฑ์แบบฮาร์โมนายซ์ **Class B (Class B Harmonized Use Product)** ส่วนต่อต่างๆ ต่อไปนี้จะเป็นข้อมูลเกี่ยวกับ EMC/EMI หรือข้อมูลความปลอดภัยของผลิตภัณฑ์สำหรับแต่ละประเทศ

Elektromanyetik uyumluluk

Elektromanyetik Girişim (EMI) boş alanda yayılan veya güç ya da sinyal kablolarıyla iletilen, telsiz navigasyon sistemlerinin veya başka güvenlik hizmetlerinin çalışmasını tehlikeye atan veya lisanslı telsiz iletişim hizmetini ciddi ölçüde kötüleştiren, engelleyen veya art arda kesintiye uğratan her türlü sinyal veya emisyonudur. Radyo veya telsiz iletişim servisleri ticari AM/FM yayınları, televizyon, hücresel servisler, radar, hava trafik kontrolü, çağrı ve Kişisel İletişim Servislerini (PCS) içerir ancak bunlarla sınırlı değildir. Bu lisanslı telsiz hizmetleri ve lisanssız telsiz hizmetleri (örneğin WLAN veya Bluetooth) ve bunların yanı sıra bilgisayarlar da dahil olmak üzere dijital cihazlar gibi kasıtsız radyo dalgası yayıcıları elektromanyetik ortama katkıda bulunur.

Elektromanyetik Uyumluluk (EMC) elektronik cihazların elektronik ortamda düzgün bir şekilde birarada çalışmasıdır. Bu bilgisayar sistemi EMI için belirlenen limitlere göre tasarlanmış ve bu limitlerle uyumluluğu saptanmış olmasına rağmen belirli durumlarda girişim olmayacağına garantisizdir.

SonicWall™ ürünleri kendi elektromanyetik ortamları için tasarlanmış, bu ortamlarda test edilmiş ve sınıflandırılmıştır. Bu elektromanyetik ortamlar genellikle aşağıdaki tanımlara bağlıdır:

- **B Sınıfı** ürünler konut/ev ortamlarında kullanıma yöneliktir, ama konut/ev ortamları dışında da kullanılabilir.
❗ **Not:** Konut/ev ortamları, radyo ve televizyon yayını alıcılarının bu ürünün kullanıldığı yere en çok 10 m uzaklıkta olması beklenen ortamlardır.

- **A Sınıfı** ürünler konut/ev dışı ortamlarda kullanıma yöneliktir. A Sınıfı ürünler konut/ev ortamlarında da kullanılabilir, ancak girişime neden olurlar ve kullanıcının bunu giderecek önlemleri alması gerekir.

Bu cihaz telsiz iletişim servislerinde girişime neden oluyorsa (bunu, cihazı açıp kapatarak saptayabilirsiniz), girişimi aşağıdaki önlemlerin biri veya birkaçıyla gidermeyi denemeniz önerilir:

- Alıcı antenin yönünü değiştirin.
- Bilgisayarın alıcıya göre yerini değiştirin.
- Bilgisayarı alıcıdan uzaklaştırın.
- Bilgisayarı farklı bir fişe takın böylelikle bilgisayar ve alıcı farklı devreler üzerinde olur.

Gerekirse, ek öneriler için SonicWall Teknik Destek temsilcisine veya deneyimli bir radyo/televizyon ya da EMC teknisyenine başvurun.

Sisteme bağlı veya entegre çevresel aygıtlar, genişletme kartları, giriş/çıkış (I/O) aygıtları monitörler ve diğer Bilgi Teknolojisi Cihazları (ITE) bilgisayar sisteminin elektromanyetik ortam sınıfına uymalıdır.

Korumalı Sinyal Kabloları Hakkında Uyarı: Herhangi bir SonicWall™ aygıtına çevre birimleri bağlamak için, telsiz iletişim hizmetleriyle girişim olasılığını azaltmak amacıyla yalnızca korumalı kablolar kullanın. Korumalı kabloların kullanımı istenilen ortam için EMC sınıflandırmasına uyumu sağlar. Paralel yazıcılar için SonicWall™ tarafından bir kablo kullanımınıza sunulmuştur. İsterseniz SonicWall™ <https://www.sonicwall.com> World Wide Web adresinden bir kablo sipariş edebilirsiniz.

SonicWall bu ürünün **Sınıf B** uyumlu bir ürün olduğunu saptamıştır. Aşağıdaki bölümlerde ülkeye özgü EMC/EMI veya ürün güvenliği bilgileri sağlanmaktadır.

EMC agency specific information

- FCC, Class B
- Industry Canada, class B
 - Industry Canada, classe B
- KCC, B 등급 장비
- BSMI 通告 (僅限於台灣)

FCC, Class B

This equipment generates, uses, and can radiate radio frequency energy and, if not installed and used in accordance with the manufacturer's instruction manual, may cause interference with radio and television reception. This equipment has been tested and found to comply with the limits for a Class B digital device pursuant to Part 15 of the FCC Rules.

❗ **NOTICE:** The FCC regulations provide that changes or modifications not expressly

approved by SonicWall Inc. could void your authority to operate this equipment.

These limits are designed to provide reasonable protection against harmful interference in a residential installation. However, there is no guarantee that interference will not occur in a particular installation. If this equipment does cause harmful interference with radio or television reception, which can be determined by turning the equipment off and on, you are encouraged to try to correct the interference by one or more of the following measures:

- Reorient or relocate the antenna of the radio/television receiver.
- Increase the separation between this equipment and the radio/television receiver.
- Plug the system into a different outlet so that the system and the receiver are on different power mains branch circuits.
- Consult a representative of SonicWall Inc. or an experienced radio/television technician for additional suggestions.

The following information is provided on the device or devices covered in this document in compliance with FCC regulations:

| | |
|-------------------|---|
| Product name: | SonicWall SonicWave 432e |
| Regulatory Model: | APL43-0C2 |
| Company name: | SonicWall Inc. 5455 Great America Parkway Santa Clara, CA 95054 USA 408-745-9600 |

Industry Canada, class B

This Class B digital apparatus complies with Canadian ICES-003.

i **NOTICE:** The Industry Canada regulations provide that changes or modifications not expressly approved by SonicWall Inc. could void your authority to operate this equipment.

Industry Canada, classe B

Cet appareil numérique de la classe B est conforme à la norme NMB-003 du Canada.

i **AVIS:** Dans le cadre des réglementations d'Industry Canada, vos droits d'utilisation de cet équipement peuvent être annulés si des changements ou modifications non expressément approuvés par SonicWall Inc. y sont apportés.

BSMI 通告 (僅限於台灣)

電磁干擾(EMI)是任何訊號或放射，輻射在廣闊的空間指引電源或訊號導引，其將危及廣電導航功能或其它安全服務，或降低產品效能，阻擾，或重復地岔斷一個廣電通訊服務。無線電通訊服務包含但不限制於 AM/FM 業性廣播、電視、行動電話服務、雷達、空中交通管制、呼叫器及個人通訊服務(PCS)。這些已授權的廣電服務，和未授權的廣電服務，如同 WLAN 或 Bluetooth，與非有意輻射器如數位裝置，包括電腦系統，以適應電磁環境。

電磁相容(EMC)是指數種電子裝置在一電子環境下共同正常運作的能力。儘管該電腦系統經設計及確定符合管制單位對於 EMI 的限制，但不能保證在進行某些特定的安裝時其不會產生干擾。

SonicWall™ 產品皆經過設計、測試並依其電磁環境分類。這些電磁環境的分類通常是指下列的定義：

- 乙類 產品是適用於住宅/家庭環境，但也可能使用於非住宅/非家庭的環境中。

註：住宅/家庭環境是代表此產品使用的 10 公尺距離內運用廣播與電視接收器接收訊號的可能環境範圍。

- 甲類 產品是適用於非住宅/非家庭的環境。甲類產品也可以運用於住宅/家庭環境，但可能會造成干擾且要求用戶來作適當且正確的測量。

如果該裝置確實干擾無線電通訊服務，這可以透過開關該裝置來確定，您可以嘗試下列一種或多種方式來修正干擾：

- 改變接收天線的方向。
- 改變電腦相對於接收器的位置。
- 將電腦移離接收器。
- 將電腦插在不同的插座，使電腦與接收器位於兩個不同的分支電路上。

如有必要，請洽詢 SonicWall 支援代表，或熟練的廣電技術人員或 EMC 技術人員，以便獲得其他建議。

資訊技術設備(ITE)，包括週邊裝置、擴充卡、印表機、輸入/輸出裝置、顯示器等，這些整合或連接到系統上的裝置應該與電腦系統的電磁環境類別匹配。

關於屏蔽訊號纜線的乙類通告：僅使用屏蔽訊號來連接周邊裝置至任何 SonicWall™ 裝置已減少廣電通訊服務可能的干擾。使用屏蔽纜線能確保維持適當的預設環境電磁相容分類。

使用屏蔽纜線能確保維持適當的預設環境電磁相容分類。對於並列印表機，SonicWall™ 供一條可用纜線。如果您想要，您可以從 SonicWall™ 全球網站 www.sonicwall.com 訂購一條纜線。

乙類

此裝置經測試證明符合 BSMI (經濟部標準檢驗局)之乙類裝置的限制規定。這些限制的目的是為了在住宅區安裝時，能防止有害的干擾，提供合理的保護。此設備會產生、使用並散發射頻能量；如果未遵照製造廠商的指導手冊來安裝和使用，可能會干擾無線通訊。但是，這並不保證在個別安裝中不會產生干擾。

Copyright © 2017 SonicWall Inc. All rights reserved.

This product is protected by U.S. and international copyright and intellectual property laws. SonicWall is a trademark or registered trademark of SonicWall Inc. and/or its affiliates in the U.S.A. and/or other countries. All other trademarks and registered trademarks are property of their respective owners.

The information in this document is provided in connection with SonicWall Inc. and/or its affiliates' products. No license, express or implied, by estoppel or otherwise, to any intellectual property right is granted by this document or in connection with the sale of SonicWall products. EXCEPT AS SET FORTH IN THE TERMS AND CONDITIONS AS SPECIFIED IN THE LICENSE AGREEMENT FOR THIS PRODUCT, SONICWALL AND/OR ITS AFFILIATES ASSUME NO LIABILITY WHATSOEVER AND DISCLAIMS ANY EXPRESS, IMPLIED OR

STATUTORY WARRANTY RELATING TO ITS PRODUCTS INCLUDING, BUT NOT LIMITED TO, THE IMPLIED WARRANTY OF MERCHANTABILITY, FITNESS FOR A PARTICULAR PURPOSE, OR NON- INFRINGEMENT. IN NO EVENT SHALL SONICWALL AND/OR ITS AFFILIATES BE LIABLE FOR ANY DIRECT, INDIRECT, CONSEQUENTIAL, PUNITIVE, SPECIAL OR INCIDENTAL DAMAGES (INCLUDING, WITHOUT LIMITATION, DAMAGES FOR LOSS OF PROFITS, BUSINESS INTERRUPTION OR LOSS OF INFORMATION) ARISING OUT OF THE USE OR INABILITY TO USE THIS DOCUMENT, EVEN IF SONICWALL AND/OR ITS AFFILIATES HAVE BEEN ADVISED OF THE POSSIBILITY OF SUCH DAMAGES. SonicWall and/or its affiliates make no representations or warranties with respect to the accuracy or completeness of the contents of this document and reserve the right to make changes to specifications and product descriptions at any time without notice. SonicWall Inc. and/or its affiliates do not make any commitment to update the information contained in this document.

For more information, visit <https://www.sonicwall.com/legal/>.

Legend



WARNING: A WARNING icon indicates a potential for property damage, personal injury, or death.



CAUTION: A CAUTION icon indicates potential damage to hardware or loss of data if instructions are not followed.



IMPORTANT, NOTE, TIP, MOBILE, or VIDEO: An information icon indicates supporting information.