



Owner's / Installation Manual



Bluetooth PTT Car Kit
for XP6® & XP7®

AVK01G

For support, please call (888) 858-9460,
or visit www.sonimtech.com

Introduction

Please take the time to read all of the information in this manual. Familiarity with operation and installation procedures will help you obtain the best possible performance from your new Bluetooth PTT Car Kit for XP6® & XP7®. This car kit is intended to be installed by a professional installer

WARNING: Changes or modifications made to this equipment not expressly approved by Sonim Technologies, Inc. for compliance could void the user's authority to operate the equipment.

FCC Statement

- This device complies with part 15 of the FCC rules (FCC ID: WYPVK01011AA). Operation is subject to the following two conditions:
- This device may not cause harmful interference.
- This device must accept any interference received, including interference that may cause undesired operation.
- This device has been tested and found to comply with the limits for a Class B digital device, pursuant to Part 15 of the FCC Rules. These limits are designed to provide reasonable protection against harmful interference in a residential installation. This equipment generates, uses, and can radiate radio frequency energy, and, if not installed and used in accordance with the instructions, may cause harmful interference to radio communications. However, there is no guarantee that interference will not occur in a particular installation if this equipment does cause harmful interference to radio or television reception, which can be determined by turning the equipment off and on, the user is encouraged to try to correct the interference by one or more of the following measures:
 - Reorient or relocate the receiving antenna.
 - Increase the separation between the equipment and receiver.
 - Connect the equipment into an outlet on a circuit different from that to which the receiver is connected.
 - Consult the dealer or an experienced radio/TV technician for help.

FCC Caution

Any changes or modifications not expressly approved by the party responsible for compliance could void the user's authority to operate the equipment.

The antenna(s) used for this transmitter must not be co-located or operating in conjunction with any other antenna or transmitter.

CE Statement

This device complies with the R&TTE directive (1999/5/EC), the EMC Directive (2004/108/EC), and the Low Voltage Directive (2006/95/EC) issued by the Commission of the European Community.

IC Statement

This device complies with RSS-310 of Industry Canada (IC:8090A-VK01011AA). Operation is subject to the following two conditions:

1. This device does not cause harmful interference.
2. This device must accept any interference, including interference that may cause undesired operation of the device.

CE Mark & NB Identification Number

CE 1797

Includes:

1.) Cradle

2.) Speaker with
2m cable

3.) PTT Button with
2m cable

4.) Microphone with
2m cable

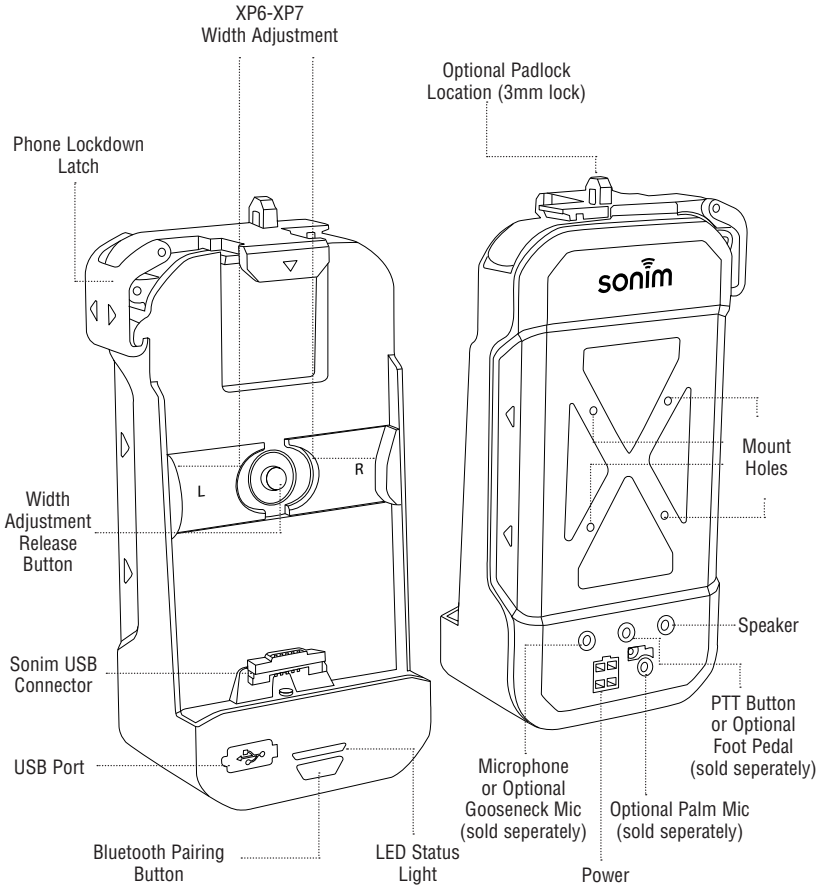
5.) 2m Wiring Harness

6.) Mount

7.) Screws:

Speaker (2) - 12.5 x 15.0mm

Mounting Bracket (4) - 6.5 x 12.0mm

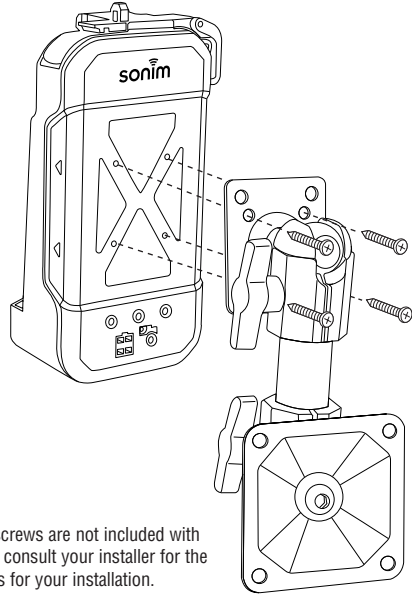


Mounting Bracket

The mounting bracket gives the convenience and adjustability to have the car kit installed where the vehicle operator needs and wants it.

The bracket should be installed in a location that does not interfere with the normal operation of the vehicle or over the vehicles air bag deployment areas.

The mount attaches to the back of the car kit with 4 supplied screws.

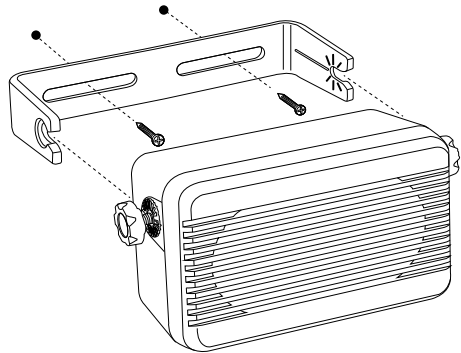


Mount to vehicle screws are not included with this car kit. Please consult your installer for the appropriate screws for your installation.

Speaker Installation

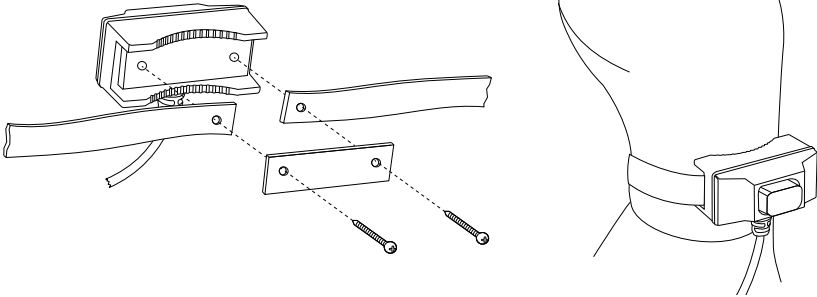
The speaker should be mounted on the passenger side of the vehicle beneath the dashboard at least 4 feet away from the Car Kit. Do not mount on rear window shelf or on the dashboard.

1. Remove the bracket from the speaker by loosening the side thumb screws.
2. Using the mounting bracket as template, drill the mounting holes and attach it to your selected location with the provided self-tapping screws.
3. Reattach the speaker to the mounting bracket tightening it down to your preferred angle.
4. Plug the speaker's blue connection end into the back of the Car Kit's corresponding blue socket.

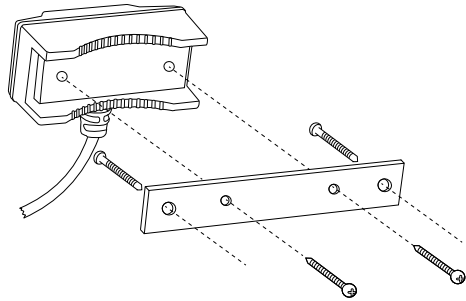


PTT Button

1. For gear shift PTT attachment, install and use the supplied velcro strip.



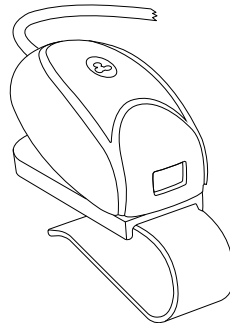
2. To place the PTT on a flat surface in your vehicle, replace small plastic back with larger supplied plastic part and screw mount the PTT into desired location.



3. Plug the PTT pink connector end into the back of the Car Kit's corresponding pink socket.

Microphone Placement

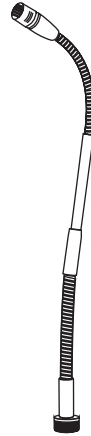
1. Facing the microphone directly at the driver, mount the microphone on the sun visor or the headliner above.
2. Plug the microphones green connection end into the back of the Car Kit's corresponding green socket. Carefully conceal cables to avoid any visual or physical hindrances.



Optional Accessories (sold separately)

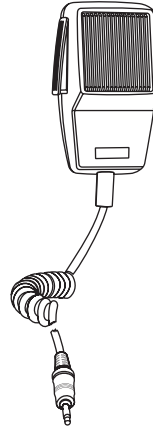
Gooseneck Microphone

1. Mount the microphone in the optimum location for the drivers use in the vehicle.
(See your Gooseneck Microphone manual for detailed installation instructions.)
2. Plug the microphones connection end into microphone socket on the back of the car kit.
(The Gooseneck Microphone optional accessory replaces the included car kit microphone.)
Carefully conceal cables to avoid any visual or physical hindrances.
(see pg. 3 for socket location)



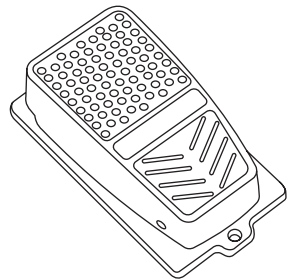
Palm Mic

1. Mount the palm mic bracket in the optimum location for the drivers use in the vehicle.
(See your Palm Mic manual for detailed installation instructions.)
2. Plug the palm mic connection end into palm mic socket on the back of the car kit.
(see pg. 3 for socket location)



Foot Pedal

1. Mount the Foot Pedal in the optimum location for the drivers use in the vehicle.
(See your Foot Pedal manual for detailed installation instructions.)
2. Plug the Foot Pedals connection end into Foot Pedals socket on the back of the car kit. (The Foot Pedal optional accessory replaces the car kits PTT button.)
(see pg. 3 for socket location)



Setup

1. Voltage range: 12-32V

2. Connection Method

- Green Cable – 12 VDC Constant - Power
- White Cable – Switched +12V DC - Ignition
- Black Cable – Ground
- Green Cable – Telephone Mute (Optional Install)

3. No Phone Inserted into the Car Kit Cradle

- LED light will be active but will indicate that there is no phone being paired and connected. The LED will glow Red in this mode.
- If you plug in another device to the USB port at the front of the car kit, the output that it will provide is 5V/1A.
- When the ignition is turned to Accessory mode, the car kit will stay active for 30 minutes.
- During voice call if the ignition is turned to Accessory mode the car kit will stay active until the call is disconnected.

4. Bluetooth connection and pairing

AUTO PAIRING

If the handset is pairing for the first time -

1. Enable auto-pairing in the phones Bluetooth settings.
2. Install the handset in the car kit, the handset Bluetooth will turn on automatically.
3. Search “**Sonim Car Kit AVK01G**” in handset.
4. Press “**Sonim Car Kit AVK01G**” in handset to pair.
5. After paired successfully, the LED will turn to green.

If the handset had been paired before -

1. Install the handset in the car kit, the handset Bluetooth will turn on automatically.
2. Press front button under LED to pair.
3. After paired successfully, the LED will turn to green.

MANUAL PAIRING

1. Turn on Bluetooth from the phones settings.
2. Install the handset in the car kit.
3. Search “**Sonim Car Kit AVK01G**” in handset.
4. Press “**Sonim Car Kit AVK01G**” in handset to pair.
5. After paired successfully, the LED will turn to green.

Voice Call functionalities

Answer call	Short press PTT button <400ms
Reject call	Press and hold the PTT button for >400ms
End call	Short press PTT button
Answer waiting call	a. Short press PTT button. This will put the active call on hold and accept the waiting call
	b. Press and hold the PTT button for >400ms to End the active call and accept the waiting call
Swapping between the held and active calls	Short press PTT button
Transferring the call audio	Short press the 'Bluetooth pairing button' to transfer the audio from Bluetooth car kit speaker to phone earpiece and vice versa
End Conference call	Press and hold the PTT button for >400ms

PTT Call functionalities

Answer PTT Call	Incoming PTT call will be automatically accepted
Initiating PTT Call	Short press PTT button (when the contact/group to be dialed is highlighted)
PTT floor management	On PTT call, press and hold the PTT button to take the floor and speak, release the held PTT button to release the floor
End PTT call	Please use the phone end button to end the PTT call

Music functionalities

Initiate music play	Press the Bluetooth pairing button on the car kit
Play/Pause during music play	Press the Bluetooth pairing button on the car kit

Audio

Pick up sound in small mic	Press small PTT button
Pick up sound in palm mic	Press PTT button on the palm mic
Audio will always go through large speaker	Regardless if palm mic or small PTT button is used

Phone Inserted into the Car Kit Cradle (In Voice Call Mode Functionality)

End Call	Press any button
----------	------------------

Phone Inserted into the Car Kit Cradle (In PTT Call Mode Functionality)

Generate only 'button pressed' and 'button released' events	Just like pressing the PTT button on the device
Receiving a voice call	The receiving "Ring Alert" shall change the mode to voice call mode
Ending the PTT call	Must be performed from the phone not the car kit

Additional functions

Handset manages all call functions	The car kit with short and long presses activate certain features in the handset but it is ultimately the handset that is managing all of these features
Ignition in accessory mode	The car kit will stay active for 30 minutes and will then only power off until there is no active call in progress.

Warranty

Sonim 1-year limited warranty

Sonim provides a limited 1-year warranty for this accessory (hereinafter referred to as "Product").

Subject to the conditions of this limited 1-year Warranty Sonim warrants this product to be free from major defects in design, material and workmanship at the time of its original purchase by a consumer, and for a subsequent period of one (1) year.

Conditions

- 1) This warranty does not cover any failure of the Product due to normal wear and tear, or due to misuse or abuse, including but not limited to use in other than the normal and customary manner, in accordance with the Sonim Product specifications and instructions for use and maintenance of the Product. Nor does this warranty cover any failure of the Product due to software or hardware modification or adjustment, acts of God or damage resulting from liquid interacting with the Product beyond what is described as acceptable in the user guide for the Product.
- 2) This warranty does not cover Product failures caused by installations, modifications, or repair or opening of the Product performed by any person other than a Sonim-authorized person. Tampering with any of the seals on the Product will void the warranty.
- 3) The warranty does not cover Product failures, which have been caused by use of other peripheral devices, which are not Sonim certified and intended for use with the Product.
- 4) THERE ARE NO EXPRESS WARRANTIES, WHETHER WRITTEN OR ORAL, OTHER THAN THIS PRINTED LIMITED WARRANTY. ALL IMPLIED WARRANTIES, INCLUDING WITHOUT LIMITATION THE IMPLIED WARRANTIES OF MERCHANTABILITY OR FITNESS FOR A PARTICULAR PURPOSE, ARE LIMITED TO THE DURATION OF THIS LIMITED WARRANTY. IN NO EVENT SHALL SONIM OR ITS LICENSORS BE LIABLE FOR INCIDENTAL OR CONSEQUENTIAL DAMAGES OF ANY NATURE WHATSOEVER, INCLUDING BUT NOT LIMITED TO LOST PROFITS OR COMMERCIAL LOSS; TO THE FULL EXTENT THOSE DAMAGES CAN BE DISCLAIMED BY LAW.

For support or questions related to the warranty please visit www.sonimtech.com.