

Toyota U140E/F, U240E, U241E

sonnax®

TIME TESTED • INDUSTRY TRUSTED®

1 Automatic Drive • P.O. Box 440 • Bellows Falls, VT 05101-0440 USA
(800) 843-2600 • (802) 463-9722 • F: (802) 463-4059 • www.sonnax.com



This Sonnax kit also is available, see www.sonnax.com for details.

Zip Kit®
U140E-U241E-ZIP

1 57917E-03K*

Lockup Control Plunger Valve & Sleeve Kit

Helps cure:

- TCC apply & release problems
- Converter codes
- Burnt converters



7 Installed in Several Locations

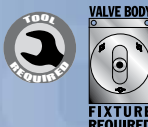
2 57917E-16K*

Oversized Secondary Pressure Regulator Valve Kit

Helps cure:

- TCC apply & release problems
- Harsh lockup
- Burnt converters

Note: Requires tool kit F-57917E-TL16 & the VB-FIX reaming fixture.



3 57917E-08K

Oversized Pressure Regulator & Boost Valve Kit

Helps cure:

- Low/High line pressure
- Soft/Harsh shifts
- Clutch & band failures

Note: Requires tool kit 57917E-TL8.

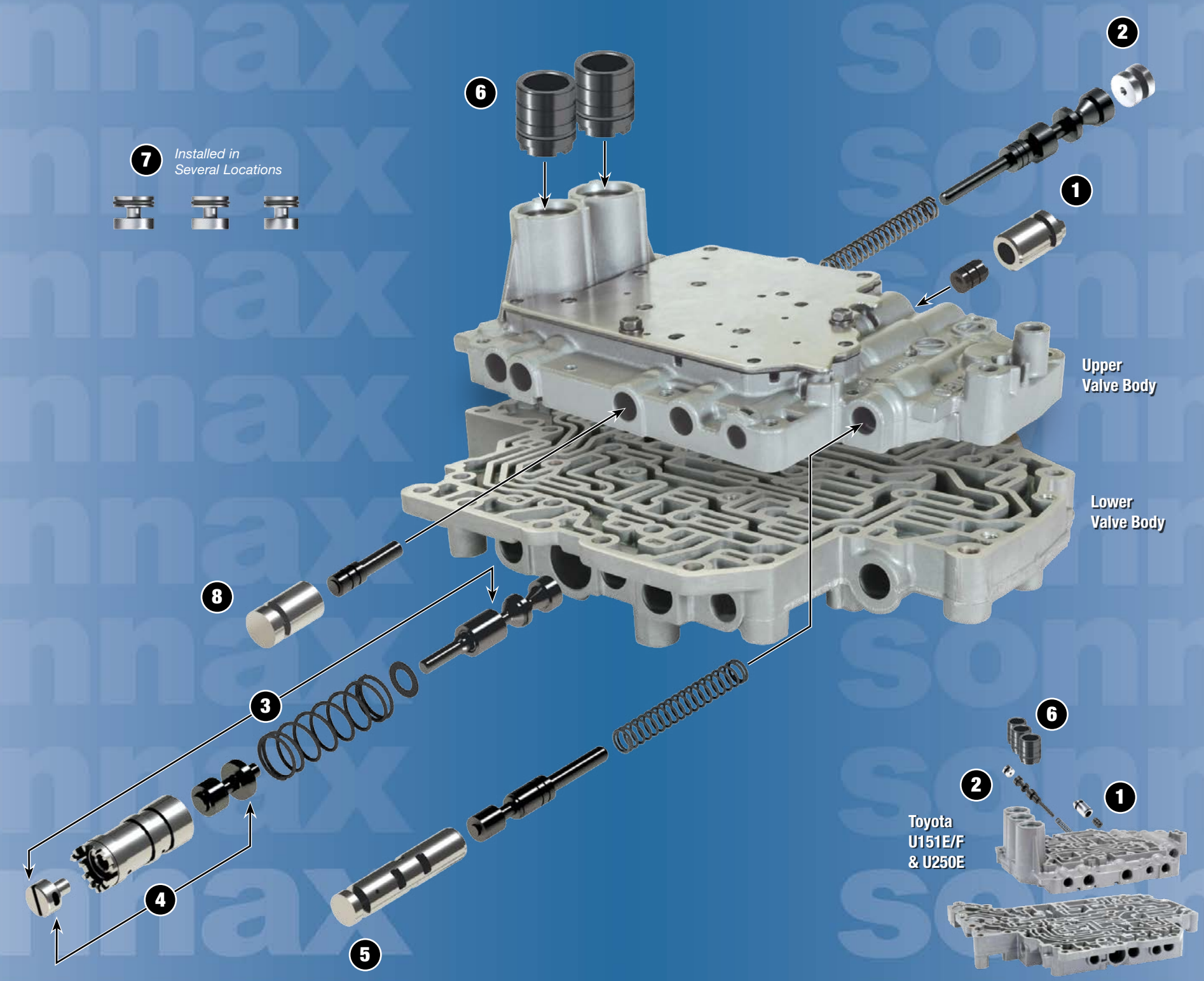


4 57917E-01K

Boost Valve Kit

Helps cure:

- Insufficient line rise in drive ranges
- Higher than normal pressure in reverse
- Soft shifts



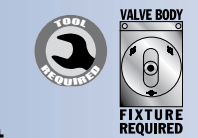
5 57917E-13K

Oversized Solenoid Modulator Valve Kit

Helps cure:

- Harsh/Flare upshifts
- TCC slip/cycling
- Low cooler flow/overheating

Note: Requires tool kit F-57917E-TL13 & the VB-FIX reaming fixture.



6 57917E-19K*

Accumulator Piston Kit

Helps cure:

- Delayed engagements
- Slips/Flares in forward gears
- Burnt clutches

Fits either of 2 locations

7 57917E-20K*

O-Ringed End Plug Kit

Helps cure:

- Inconsistent shift quality
- Slips, flares, bumps, bangs and/or codes
- Clutch failures

Fits 9 locations

8 57917E-05K

Clutch Apply Control Plunger Valve Kit

Helps cure:

- Clutch failures
- Burnt clutches
- Shift complaints

Click on Sonnax part numbers to see more information.

*Note: These parts also fit Toyota U151E/F & U250E units.