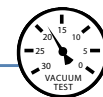


Critical Wear Areas & Vacuum Test Locations



NOTE: OE valves are shown in rest position and should be tested in rest position unless otherwise indicated. Test locations are pointed to with an arrow. Springs are not shown for visual clarity. Low vacuum reading indicates wear.

Lower Valve Body • 09G Shown

Click on Sonnax part numbers to see more information.

Secondary Regulator Valve

- Overheated fluid
- Bushing failure
- TCC slip codes
- TC failure

Replace with Sonnax Part No. **15741-11K** Requires F-15741-TL11 & VB-FIX

Solenoid Modulator Valve

- Gear ratio errors, VAG 17114
- Harsh downshift

Replace with Sonnax Part No. **15741-18K** Requires F-15741-TL18 & VB-FIX

Boost Valve

- Delayed Reverse
- Burnt B2 Brake
- Burnt K3 Clutch

Replace with Sonnax Part No. **15741-51K**

Main Pressure Regulator Valve

- Overheated fluid
- TC overheat
- Harsh applications
- High Pressure

Replace with Sonnax Part No. **15741-01K** Requires F-15741-TL & VB-FIX

C1/K1 Clutch Control Valve

- Flare/harsh shifts
- Coastdown Neutral
- Gear ratio & solenoid codes

Replace with Sonnax Part No. **15741-25K** (sleeve/valve style) Requires F-15741-TL25 & VB-FIX or **15741-55K** (oversized valve style) Requires F-15741-TL55 & VB-FIX

K2 Clutch Control Valve

- Flare/harsh shifts
- Erratic shift timing
- Gear ratio & solenoid codes

Replace with Sonnax Part No. **15741-05K** (Sleeve/valve style) Requires F-15741-TL5 & VB-FIX or **15741-57K** (Oversized valve style) Requires F-15741-TL57 & VB-FIX

B1 Clutch Control Valve

- Flared/harsh 2-6 application
- Erratic shift timing
- Gear ratio & solenoid codes
- Slipping 2-6

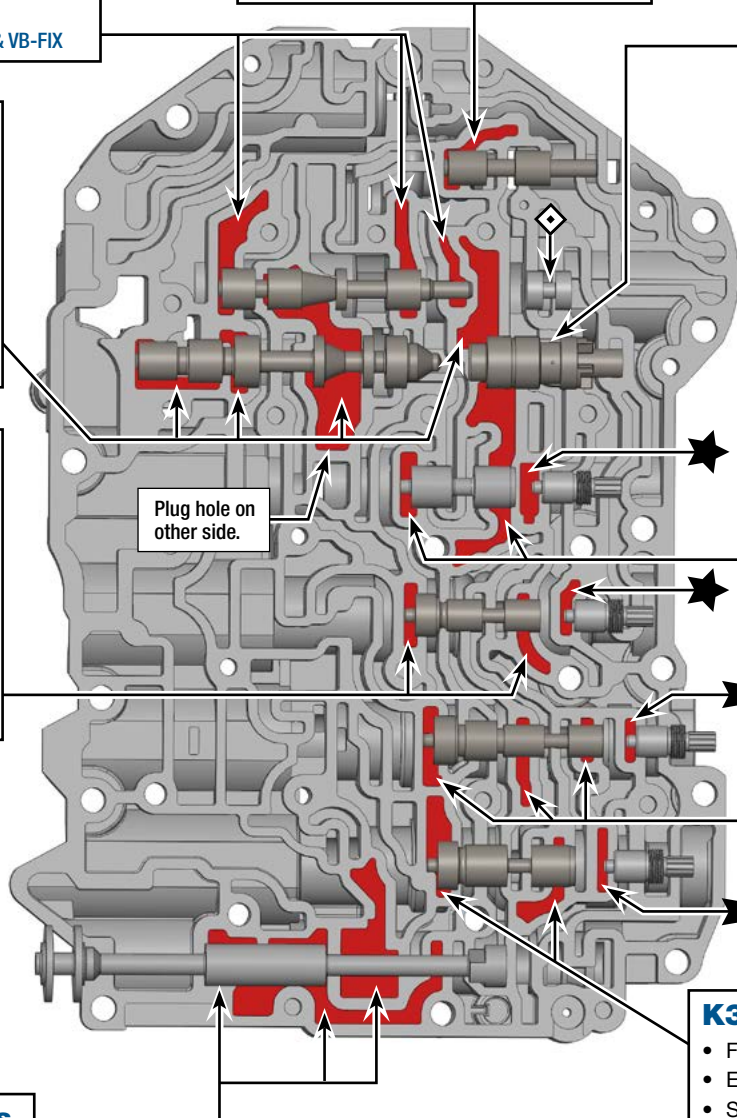
Replace with Sonnax Part No. **15741-22K** (sleeve/valve style) Requires F-15741-TL22 & VB-FIX or **15741-61K** (oversized valve style) Requires F-15741-TL61 & VB-FIX

O-Ringed End Plugs

- Shift concerns associated with circuit pressure loss

Replace with Sonnax Part No. **15741-35K** (Small, 9mm) = or **15741-36K** (Large, 11mm) =

NOTE: End plugs should be tested at the retainer port. Sealing on opposite side of casting is sometimes required.



Spring Adjuster Plugs

- Flared/Harsh applications
- Delayed engagements

Replace with Sonnax Part No. **15741-48K**

NOTE: Services Four Locations = ★

Manual Valve

- Reduced line pressure
- Delayed engagements

Replace with Sonnax Part No. **15741-41** Requires F-15741-TL41 & VB-FIX

K3 Clutch Control Valve

- Flare/harsh shifts
- Erratic shift timing
- Slipping
- Gear ratio & solenoid codes

Replace with Sonnax Part No. **15741-08K** (sleeve/valve style) Requires F-15741-TL8 & VB-FIX or **15741-59K** (oversized valve style) Requires F-15741-TL59 & VB-FIX

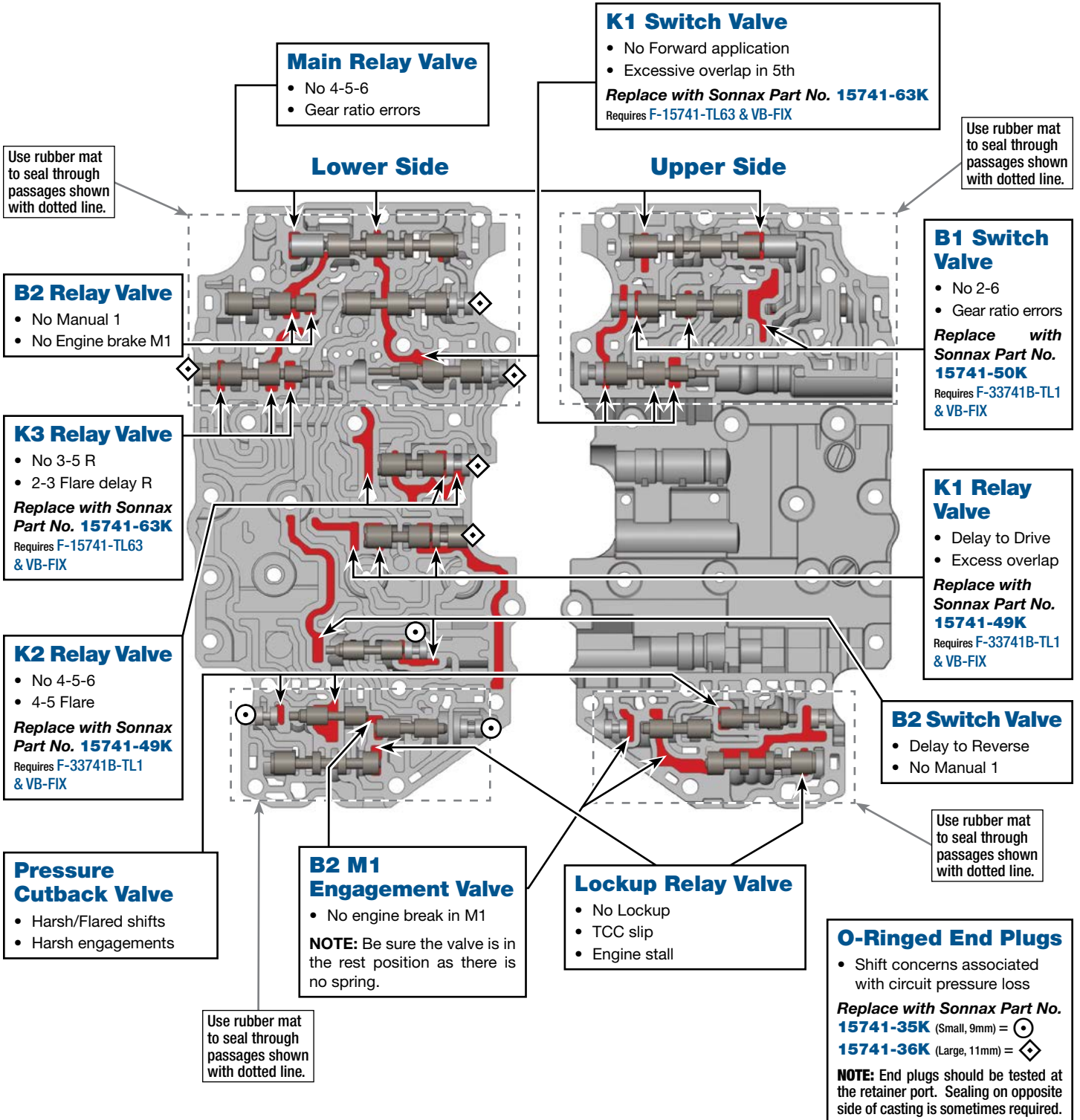
Critical Wear Areas & Vacuum Test Locations



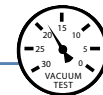
NOTE: OE valves are shown in rest position and should be tested in rest position unless otherwise indicated. Test locations are pointed to with an arrow. Springs are not shown for visual clarity. Low vacuum reading indicates wear.

Middle Valve Body • 09G Shown

Click on Sonnax part numbers to see more information.



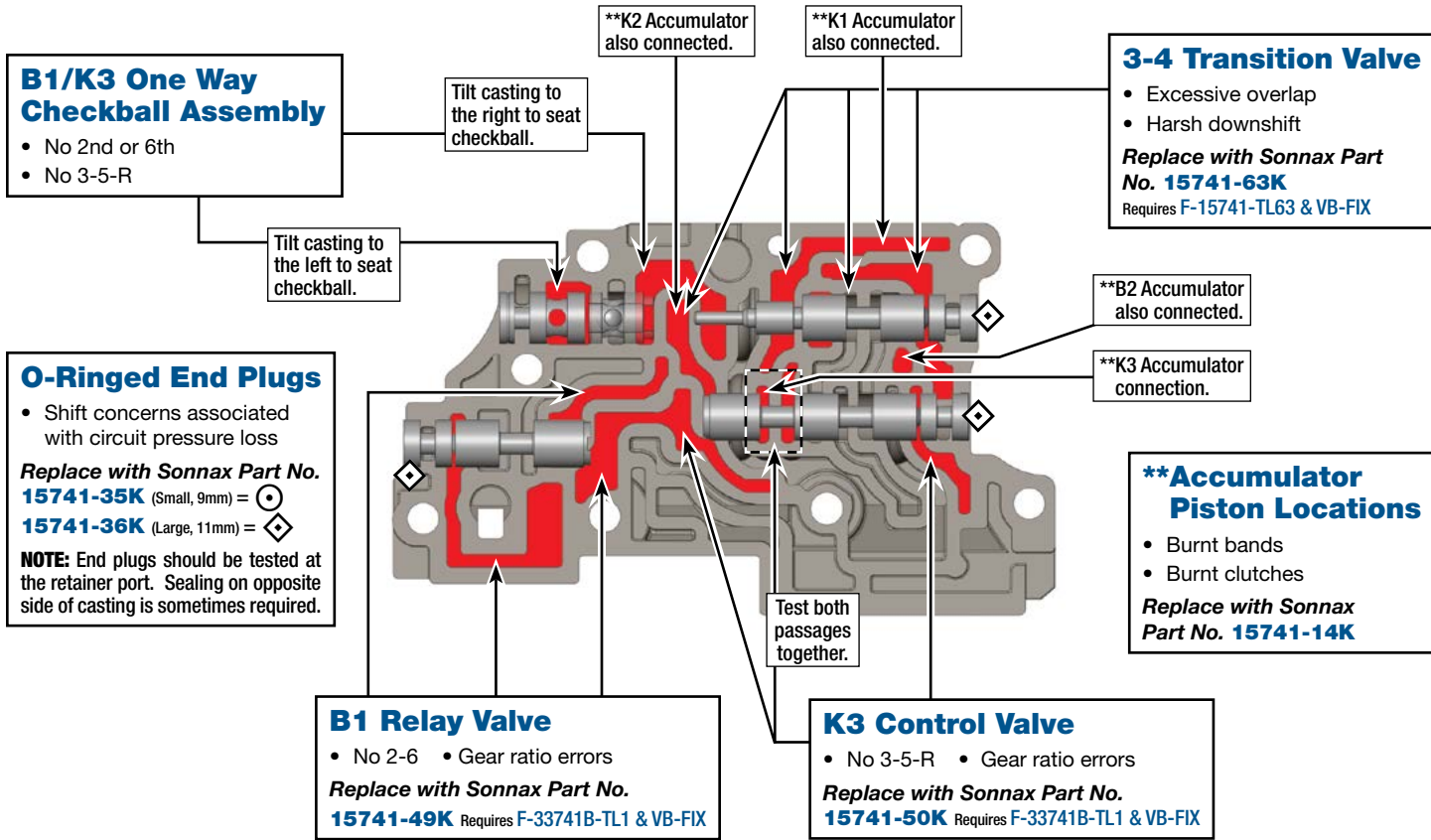
Critical Wear Areas & Vacuum Test Locations



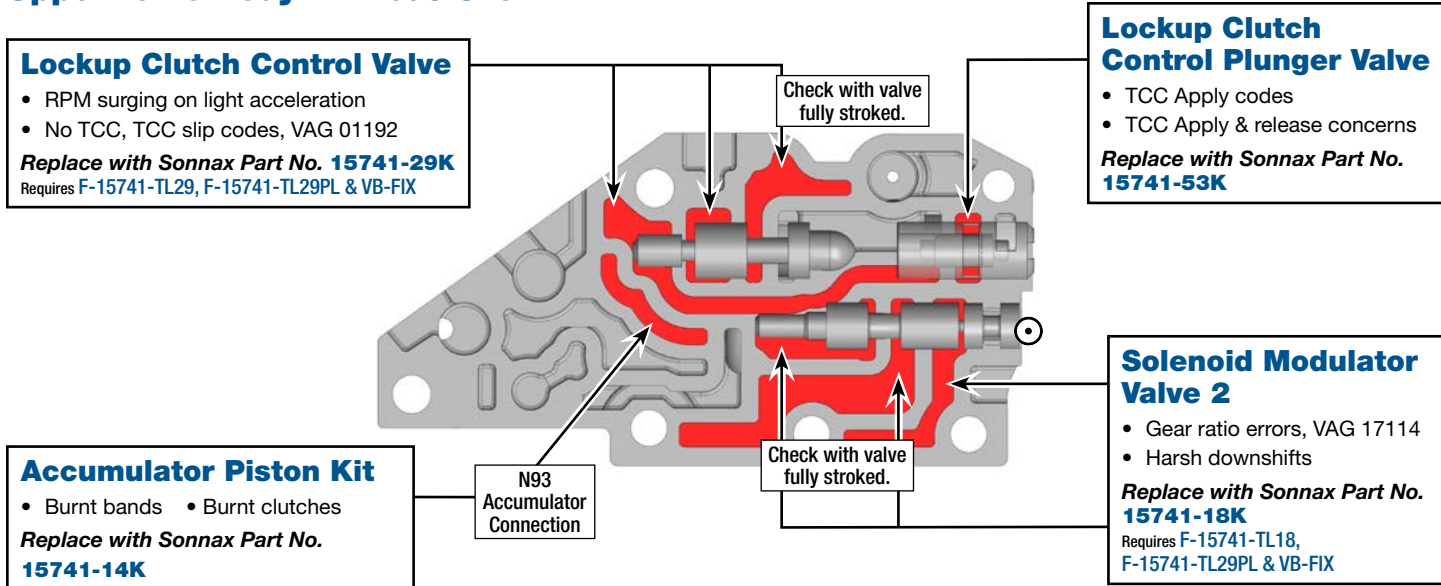
NOTE: OE valves are shown in rest position and should be tested in rest position unless otherwise indicated. Test locations are pointed to with an arrow. Springs are not shown for visual clarity. Low vacuum reading indicates wear.

Upper Valve Body #1 • 09G Shown

Click on Sonnax part numbers to see more information.

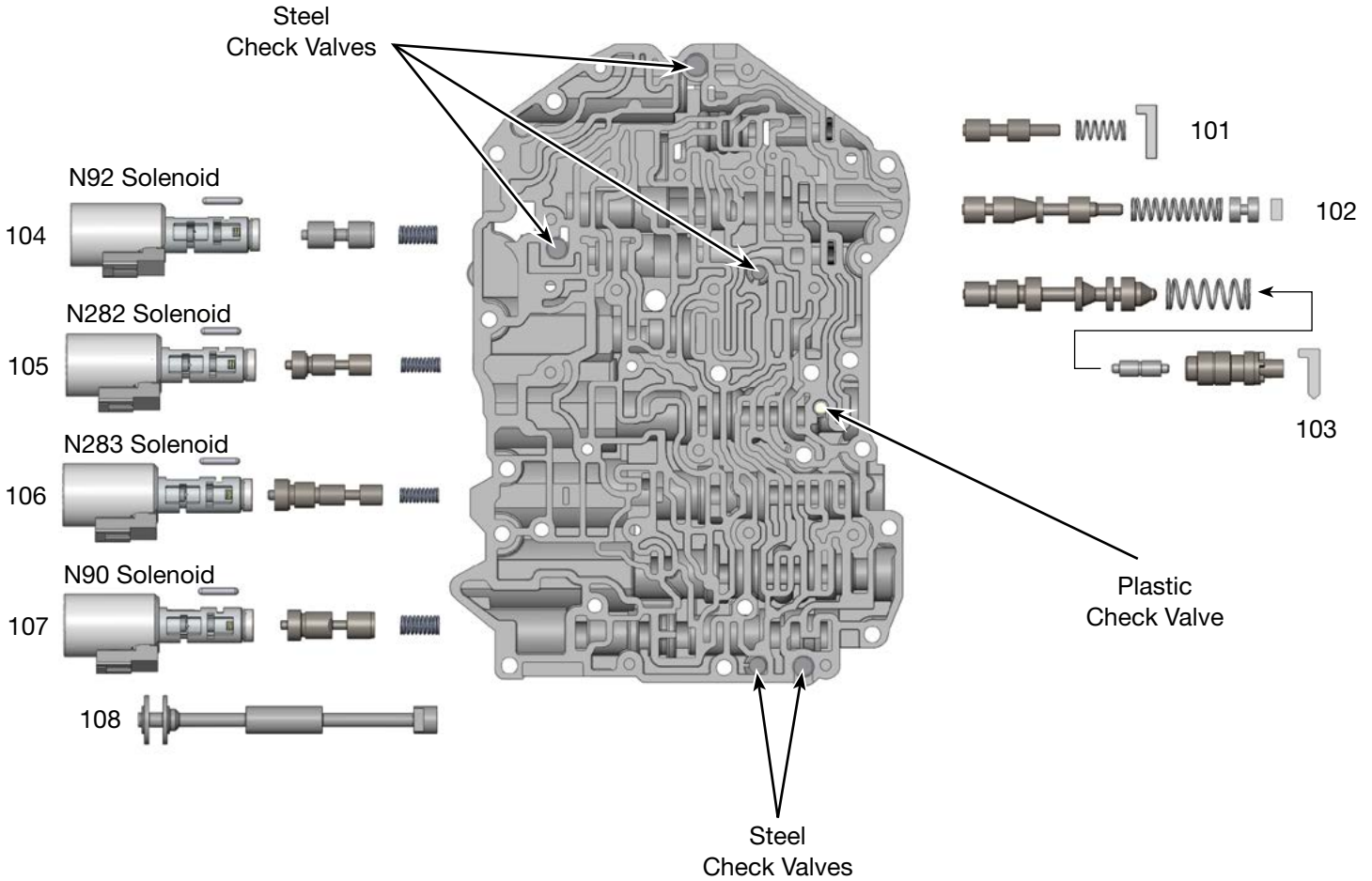


Upper Valve Body #2 • 09G Shown



OE Exploded View

Lower Valve Body • 09G Shown

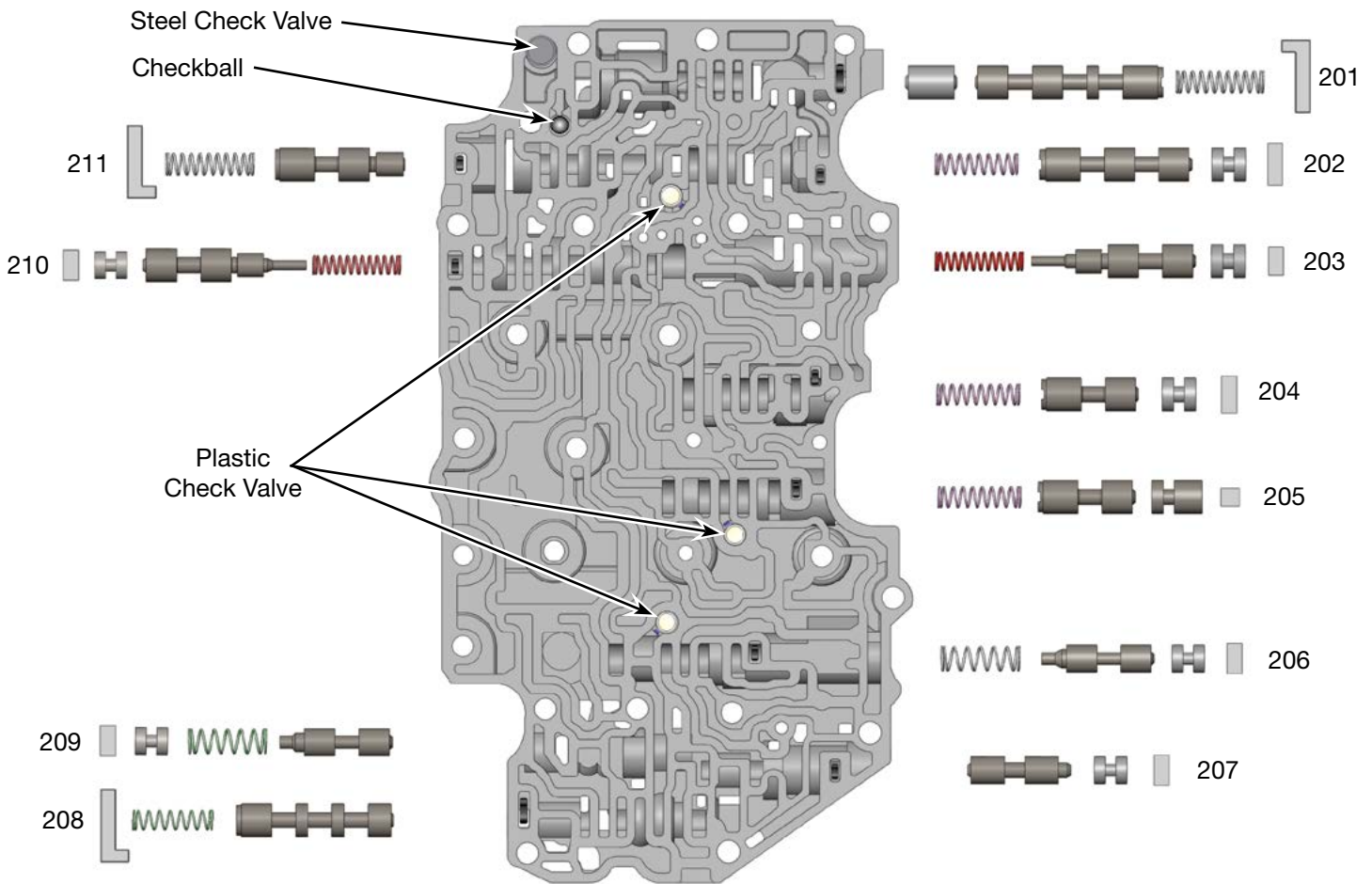


Lower Valve Body Descriptions

I.D. No.	Description
101	Solenoid Modulator Valve
102	Secondary Regulator Valve
103	Main Pressure Regulator & Boost Valve
104	C1/K1 Clutch Control Valve
105	K2 Clutch Control Valve
106	B1 Clutch Control Valve
107	K3 Clutch Control Valve
108	Manual Valve

OE Exploded View

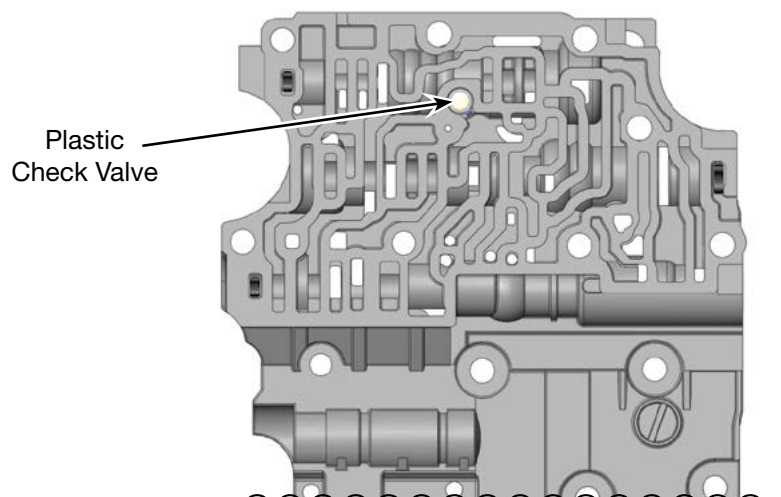
Middle Valve Body (Bottom Side) • 09G Shown



Middle Valve Body Descriptions

I.D. No.	Description
201	Main Relay Valve
202	B1 Switch Valve
203	K1 Switch Valve
204	K2 Relay Valve
205	K1 Relay Valve
206	B2 Switch Valve
207	B2 M1 Engagement Valve
208	Lockup Relay Valve
209	Pressure Cutback Valve
210	K3 Relay Valve
211	B2 Relay Valve

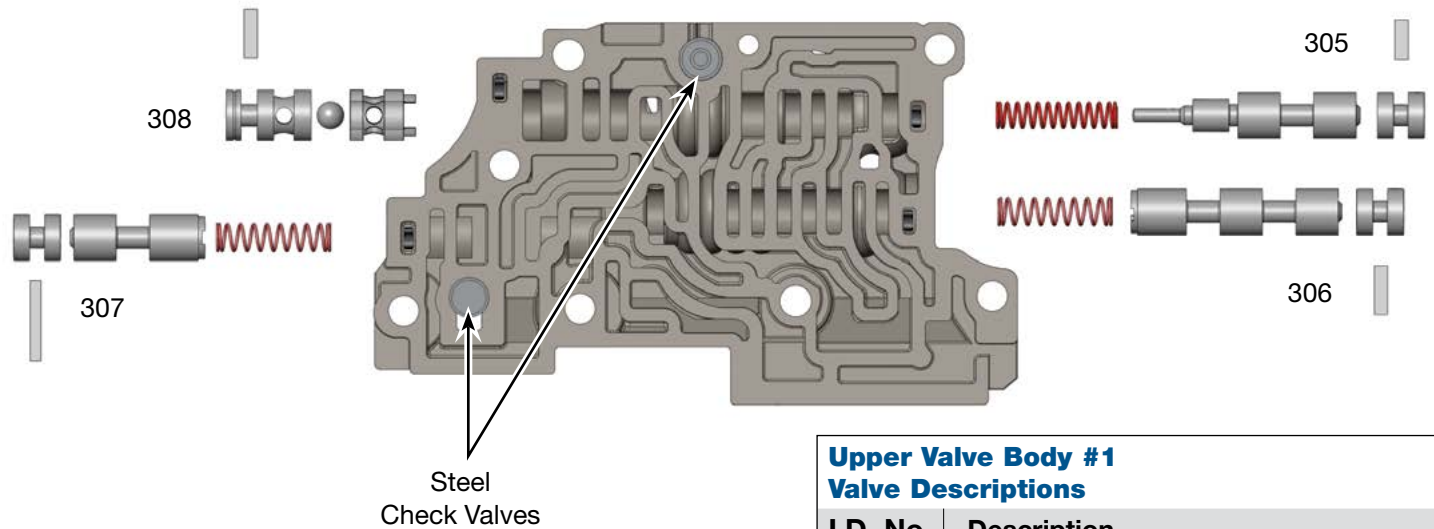
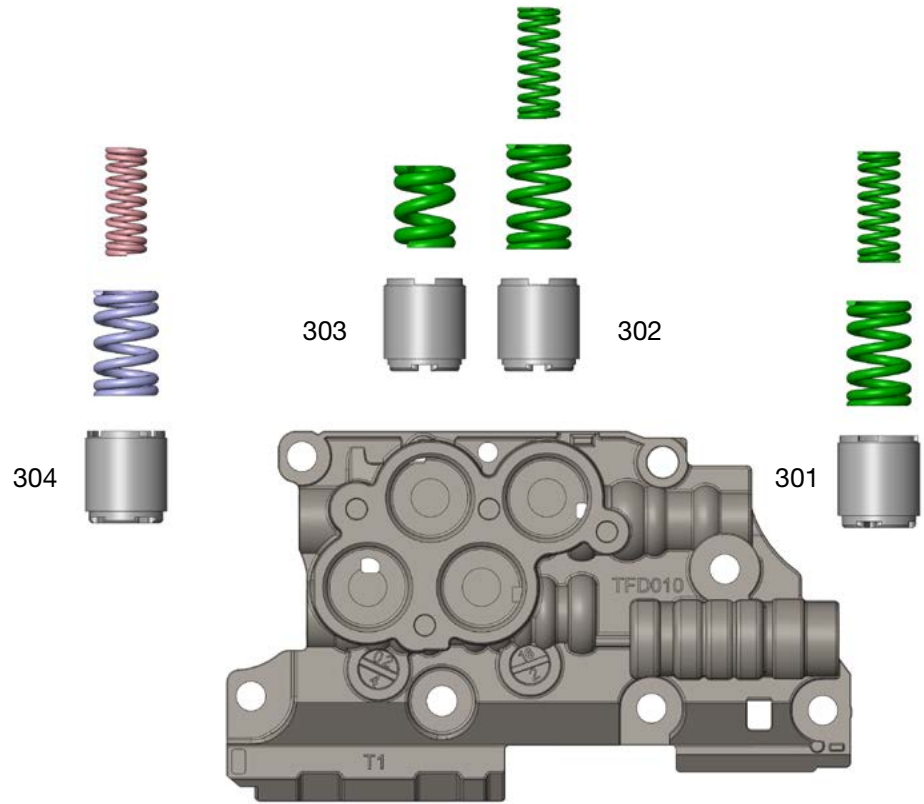
Middle Valve Body (Upper Side) • 09G Shown



OE Exploded View

Upper Valve Body • #1 Exploded View • 09G Shown

Upper Valve Body #1 Accumulator Descriptions	
I.D. No.	Description
301	K3 Accumulator
302	K2 Accumulator
303	K1 Accumulator
304	B2 Accumulator



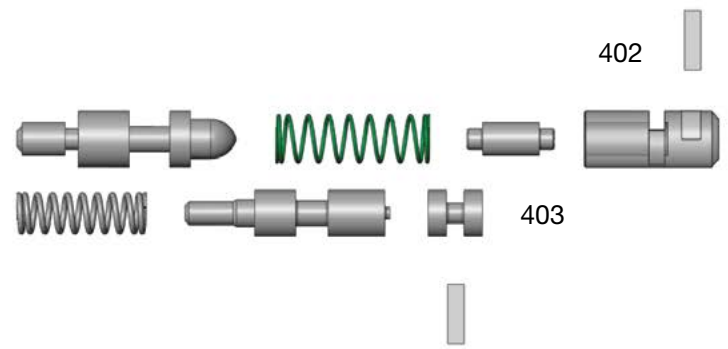
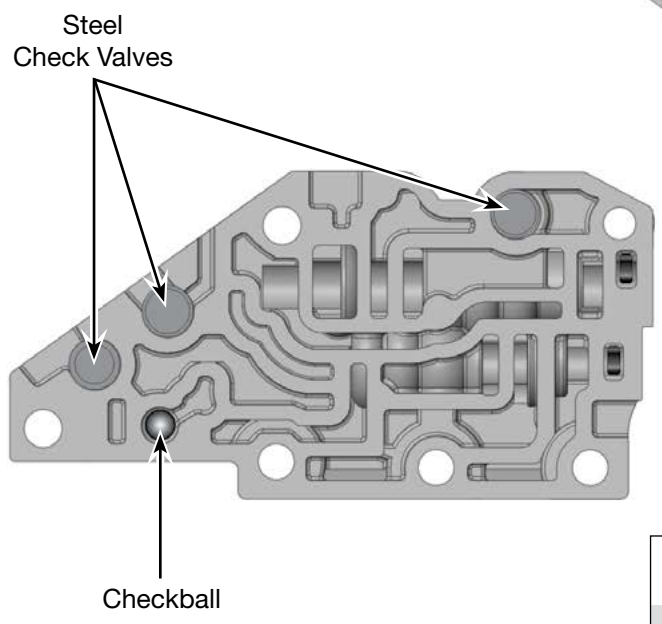
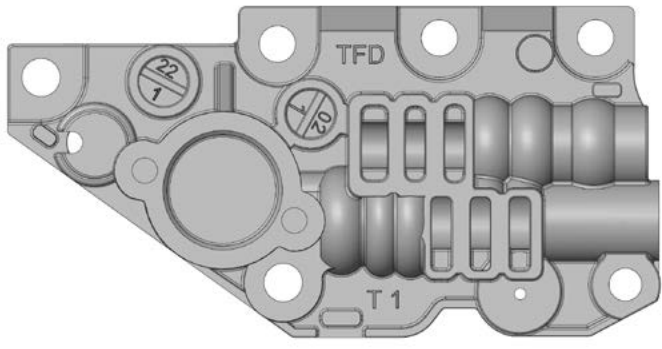
Upper Valve Body #1 Valve Descriptions	
I.D. No.	Description
305	3-4 Transition Valve
306	K3 Control Valve
307	B1 Relay Valve
308	B1/K3 One Way Checkball Assembly

OE Exploded View

Upper Valve Body • #2 Exploded View • 09G Shown



Upper Valve Body #2 Accumulator Description	
I.D. No.	Description
401	N93 Line Pressure Control Accumulator



Upper Valve Body #2 Descriptions	
I.D. No.	Description
402	Lockup Clutch Control Valve
403	Solenoid Modulator Valve 2