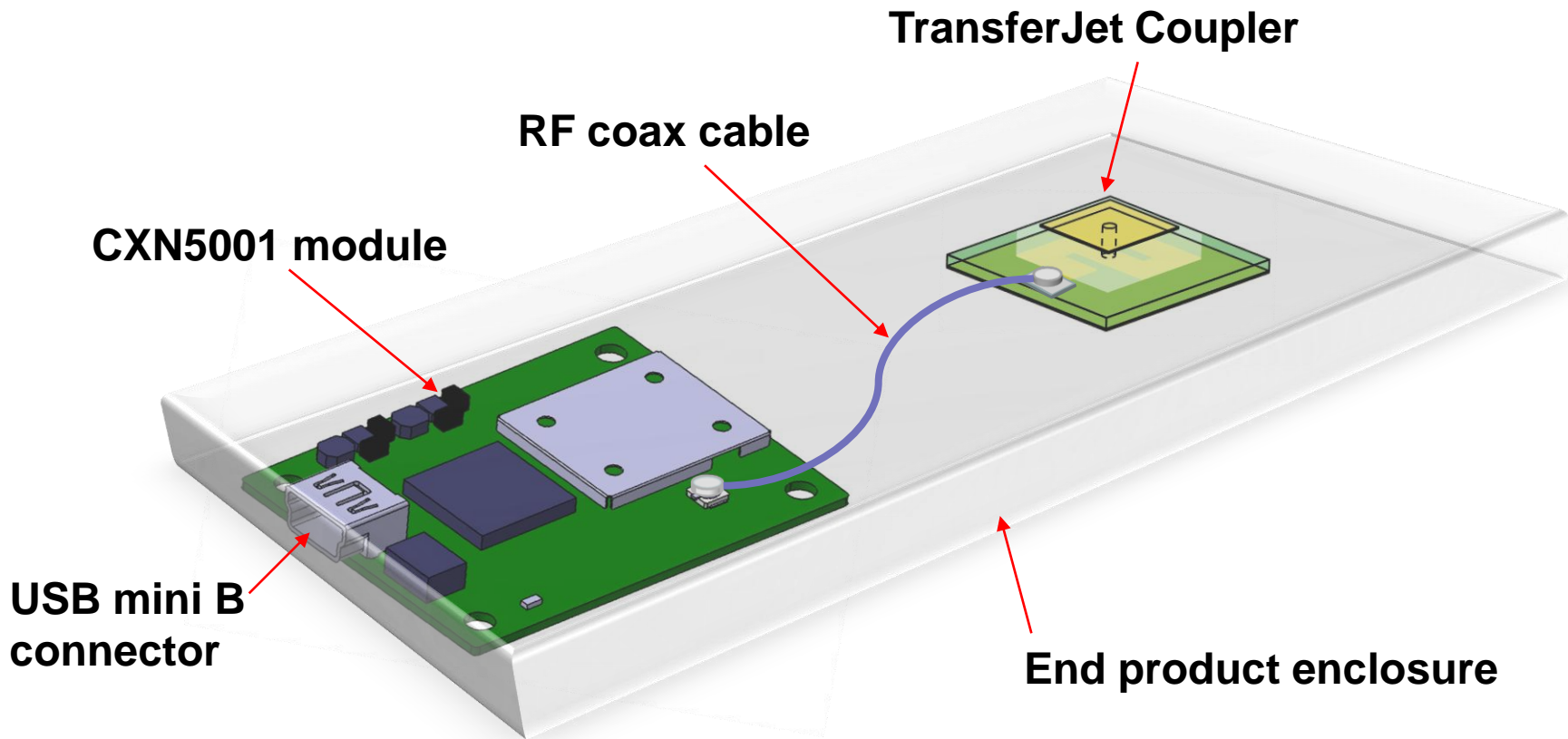


# CXN5001 installation manual

July 24, 2009

SONY corp.  
Semiconductor business group  
HSS div. Information device dept.

# The Image for installation of CXN5001 Module



The following sentences are added to the label of end product.  
“Contains FCC ID : AK8CXN5001, IC : 409B-CXN5001”