



Reference Tool

Instruction manual

SCE CONFIDENTIAL

This manual contains safety precautions for the prevention of accidents, and instructions for the use and handling of this product. Read this manual carefully and use the product in a safe manner. After reading the manual, store it in an accessible location for future reference.

DECR-1000 A



Important safeguards

For your protection, please read these safety instructions completely before operating the appliance, and keep this manual for future reference.

Carefully observe all warnings, precautions and instructions on the appliance, or those described in the instruction manual and adhere to them.

USE

Power sources

This unit should be operated only from the type of power source indicated on the marking label. If you are not sure of the type of electrical power supplied to your home, consult your dealer or local power company. For those units designed to operate from battery power, or other sources, refer to the operating instructions.

Overloading

Do not overload wall outlets, extension cords or convenience receptacles beyond their capacity, since this can result in fire or electric shock.

Liquid and foreign objects

Never push objects of any kind into the unit through openings as they may touch dangerous voltage points or short out parts that could result in a fire or electric shock. Never spill liquid of any kind on the unit.

Attachments

Do not use attachments not recommended by the manufacturer, as they may cause hazards.

Cleaning

Unplug the unit from the wall outlet before cleaning or polishing it. Do not use liquid cleaners or aerosol cleaners. Use a cloth lightly dampened with water for cleaning the unit exterior.

INSTALLATION

Water and moisture

Do not use the powerline operated unit near water – for example, near a bathtub, washbowl, kitchen sink, or laundry tub, in a wet basement or near a swimming pool, etc.

Power cord protection

Route the power cord so that it is not likely to be walked on or pinched by items placed upon or against it, paying particular attention to the plugs, receptacles, and the point where the cord exits from the unit.

Ventilation

The slots and openings in the cabinet are provided for necessary ventilation. To ensure reliable operation of the unit, and to protect it from overheating, these slots and openings must never be blocked or covered.

- Never cover the slots and openings with a cloth or other materials.
- Never block the slots and openings by placing the unit on a bed, sofa, rug or other similar surface.

Accessories

Do not place the unit on an unstable cart, stand, bracket or table. The unit may fall, causing serious injury to a child or an adult, and serious damage to the unit.

Use only a cart, stand, tripod, bracket, or table recommended by the manufacturer.

An appliance and cart combination should be moved with care. Quick stops, excessive force, and uneven surfaces may cause the appliance and cart combination to overturn.

- Never place the unit in a confined space, such as a bookcase, or built-in cabinet, unless proper ventilation is provided.
- Do not place the unit near or over a radiator or heat register, or where it is exposed to direct sunlight.

SERVICE

Damage requiring service

Unplug the unit from the wall outlet and refer servicing to qualified service personnel under the following conditions:

- When the power cord or plug is damaged or frayed.
- If liquid has been spilled or objects have fallen onto the unit.
- If the unit has been exposed to rain or water.
- If the unit has been subject to strong physical shock by being dropped, or the cabinet has been damaged.
- If the unit does not operate normally when following the instruction manual. Adjust only those controls that are specified in the instruction manual. Improper adjustment of other controls may result in damage and will often require extensive work by a qualified technician to restore the unit to normal operation.
- When the unit exhibits a distinct change in performance – this indicates a need for service.

Servicing

Do not attempt to service the unit yourself as opening or removing the exterior casing may expose you to dangerous voltage or other hazards.

Refer all servicing to an authorized service center. Refer to the contact information on the back cover to receive instructions on obtaining repair/replacement services.

Replacement parts

When replacement parts are required, be sure the service technician has used replacement parts specified by the manufacturer that have the same characteristics as the original parts.

Unauthorized substitutions may result in fire, electric shock, or other hazards.

Safety check

Upon completion of any service or repairs to the unit, ask the service technician to perform routine safety checks (as specified by the manufacturer) to determine that the unit is in safe operating condition.

Table of contents

Important safeguards	2
Precautions	5
1 Overview	
Overview of the reference system	8
Unit features.....	8
Equipment required to configure the reference system	9
Reference system setup	9
Part names and usage.....	10
2 Preparing to use this unit	
Attaching the vertical stand.....	16
Attaching the unit to the rack	17
When using Ethernet cables	22
Connecting the hardware.....	22
Connections for a debugging network	23
Setting up with the administration tool	25
3 Appendices	
Handling the unit.....	31
Cleaning the filter unit	31
Troubleshooting	32
Specifications.....	34
Limitations of liability	35

Precautions

Photosensitivity

- A very small percentage of individuals may experience epileptic seizures when exposed to certain light patterns or flashing lights. Exposure to certain patterns or backgrounds on a television screen or while playing video games, including games played on the unit, may trigger an epileptic seizure in these individuals. Certain conditions may trigger previously undetected epileptic symptoms even in persons who have no history of prior seizures or epilepsy. If you, or anyone in your family, has an epileptic condition, consult your physician prior to playing. If you experience any of the following symptoms while playing a video game - dizziness, altered vision, eye or muscle twitches, loss of awareness, disorientation, any involuntary movement or convulsions - IMMEDIATELY discontinue use and consult your physician before resuming play.

Radio waves

- Radio waves may affect electronic equipment or medical devices (for example, pacemakers), which may cause malfunctions and possible injuries.
 - If you use a pacemaker or other medical device, consult your physician or the manufacturer of your medical device before using the wireless networking feature.
 - Keep the unit at least 9 inches (23 cm) away from a pacemaker or other medical devices when using the wireless networking feature.

Safety

This product has been designed with the highest concern for safety. However, any electrical device, if used improperly, has the potential for causing fire, electrical shock or personal injury. To help ensure accident-free operation, follow these guidelines.

- Observe all warnings, precautions and instructions.
- Stop use and unplug the AC power cord from the electrical outlet if the unit functions in an abnormal manner, or produces unusual sounds or smells.
- Call the number listed on the back cover for technical assistance if the device does not operate properly.
- Do not remove the unit's exterior or disassemble the unit. The laser beam emitted from the lens of this unit may be harmful to the eyes.
- Do not use the unit near water.
- Stop using the unit immediately if you experience any of the following symptoms. If the condition persists, consult a doctor.
 - Lightheadedness, nausea or a sensation similar to motion sickness
 - Tired, uncomfortable or aching hands or arms
 - Tired, dry or aching eyes
- Avoid looking at the screen for prolonged periods of time.
- Listening to sound continuously for a long time with a high volume may adversely affect the ears. Be careful, especially when using headphones. Adjust the volume so that surrounding sounds can be heard.
- The socket outlet shall be installed near the equipment and shall be easily accessible.
- An AC power cord clamp is attached to the AC power cord where it connects to the AC IN connector. In case of an emergency, remove the plug on the other end of the cord from the wall socket.

Use and handling

- Do not use the unit or accessories outdoors.
- Do not throw or drop the unit or accessories, or expose the devices to strong physical shock.
- Do not place the unit or accessories on surfaces that are unstable, tilted or subject to vibration.
- Do not expose the unit or accessories to high temperatures, high humidity or direct sunlight.
- Do not block the vents.
- The vent on the unit rear will become extremely hot. Do not touch the vent while the unit is turned on, or for a while after turning off the power. Doing so could result in burns. In particular, take extra caution when operating the main power switch located near the vent.

Precautions

- Do not wrap the unit or accessories in cloth or similar materials.
- Do not allow dust to build up on the unit.
- Do not place the unit in locations of poor ventilation, such as small, enclosed areas, directly against a wall or on a thick carpet or bedding.
- When attaching the unit to a rack, leave at least 10 cm (3.94 in) of space behind the vent and prevent cables from blocking the air flow as much as possible.
- Do not expose the unit to dust, smoke or steam.
- Do not allow liquid or small particles to get into the unit.
- Do not put heavy objects on the unit.
- Do not use damaged, reshaped or repaired discs.
- Do not touch or insert foreign objects into the connectors of the unit or accessories.
- Do not insert cords and cables at an angle. Doing so may damage the connector pins or create the risk of fire.
- If a spring or screw is provided to secure a cable connector, use the provided spring or screw to secure it. Take care to prevent making faulty connections.
- Always have two or more persons operate when carrying, positioning, attaching the stand or arranging on the rack.
- Be careful when ejecting a disc or the HDD. The disc or HDD may pop out suddenly.
- Back up recorded media or HDD data in advance to prevent loss of important data.
- When attaching or detaching the rack from the unit, if steps are not taken to prevent accidental falling or moving, the unit can drop or move unexpectedly and cause injury. Work from a stable position and use extra caution when handling the unit. Also, check that the rack has been set up properly and is strong enough to hold the unit.

AC power cord use

- To help ensure safe operation, during initial setup and regularly thereafter, inspect the AC power cord. If damaged, stop use immediately and call the number on the back cover for assistance.
- Do not use AC power cords other than those provided or designated in the instruction manual. If the provided or designated power cord is not used, electrical shock may result or the unit may not operate.
- Do not modify or damage the AC power cord.
- Do not forcibly bend the AC power cord.
- Do not place heavy objects on the AC power cord.
- Check that there is no dust or lint on the power plug before inserting into an electrical outlet. If the plug becomes dirty, wipe it off with a dry cloth before connecting.
- When inserting the AC power cord into an electrical outlet, insert the plug straight into the electrical outlet and not at an angle.
- Unplug the AC power cord from the electrical outlet before cleaning or moving the unit, or when you do not intend to use the unit for an extended period of time. When disconnecting, grasp the power cord by the plug and pull straight out of the electrical socket. Never pull by the cord and do not pull out at an angle.
- Do not touch the plug of the AC power cord with wet hands.
- Do not touch the power plug during an electrical storm.
- Do not touch the unit for extended periods of time while the unit is turned on, as extended contact may cause low-temperature burns.
- Immediately after disconnecting the AC power cord, do not touch the plug on the AC power cord or the metal parts of the AC IN connector. Doing so could lead to electric shock.

Cleaning

- For safety reasons, before cleaning the unit or connected accessories, 1) turn off the unit, 2) disconnect the power plug for the unit from the electrical outlet.

Precautions

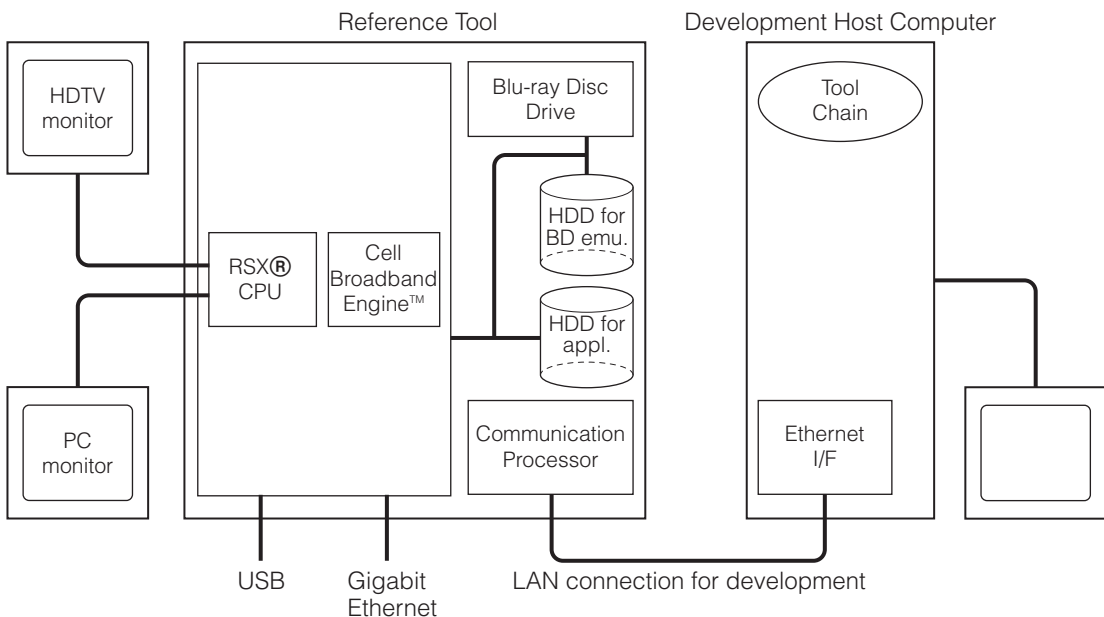
Moisture condensation

- If the unit or disc is brought directly from a cold location to a warm one, moisture may condense on the lens inside the unit or on the disc. Should this occur, the unit may not operate properly. In this case, remove the disc and turn off and unplug the unit. Do not put the disc back in until the moisture evaporates (this may take several hours). If the unit still does not operate properly, obtain technical assistance using the contact information on the back cover.

Overview

Overview of the reference system

The following is a schematic drawing of the reference system.



Unit features

This unit consists of the following parts:

- Cell-based system with peripherals such as Gigabit Ethernet and USB
- HDD and Blu-ray Disc drive
- Communication processor that controls communication with the development host PC

Coding and compiling should be performed on the host PC. The connection between the host PC and the reference tool requires the use of an Ethernet connection.

The Communications Processor (CP) is hardware for debugging control that has its own flash memory, Ethernet ports and network configuration, which are separate from those found in the PLAYSTATION®3 SDK, hardware and system software. The CP settings can be modified using the provided Web interface which is accessible through the LAN connector for development.

Equipment required to configure the reference system

The following items are required to use the evaluation software package provided by SCE.

DECR-1000 A (this unit)

See “Part names and usage” (→ page 10).

Monitor

Either or both of the following can be used for graphics output from this unit:

- Standard PC monitor
Connected to the monitor connector of this unit
- TV monitor (supporting 480i, 480p, 1080i, 720p or 1080p)
Connected to the HDMI OUT connector or AV MULTI OUT connector of this unit

Development host PC

Coding, compiling, and debugging should be performed on a separate development host PC, which may be a standard PC. When using a standard PC, it should be equipped with an Ethernet connector.

Refer to the “Reference Tool Software Setup Guide” document (supplied separately) for other recommended functions and a description of performance levels.

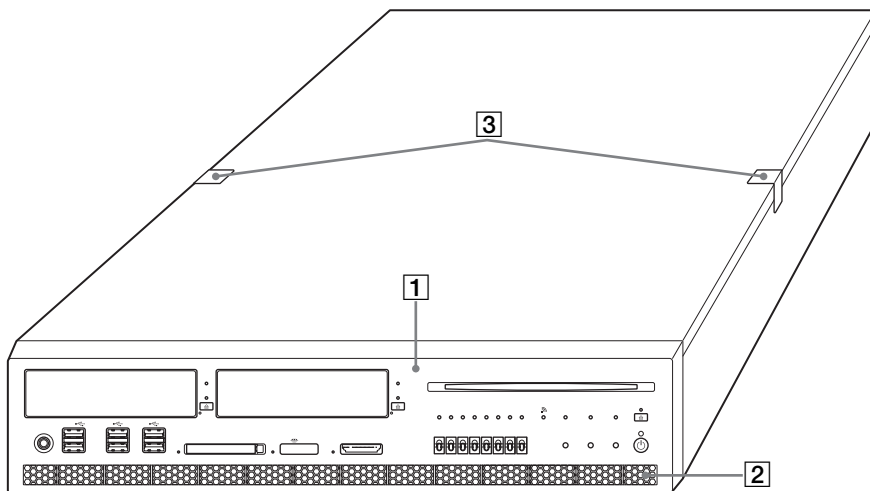
Reference system setup

Configuring the reference system requires the following:

- Installing the software package that comes with this unit on the development host PC.
Refer to the “Reference Tool Software Setup Guide” document (supplied separately).
- Setting up the reference tool.
Refer to “Preparing to use this unit” (→ page 16).

Part names and usage

Unit front



1 Front panel

See “Front panel” (→ page 11) for details.

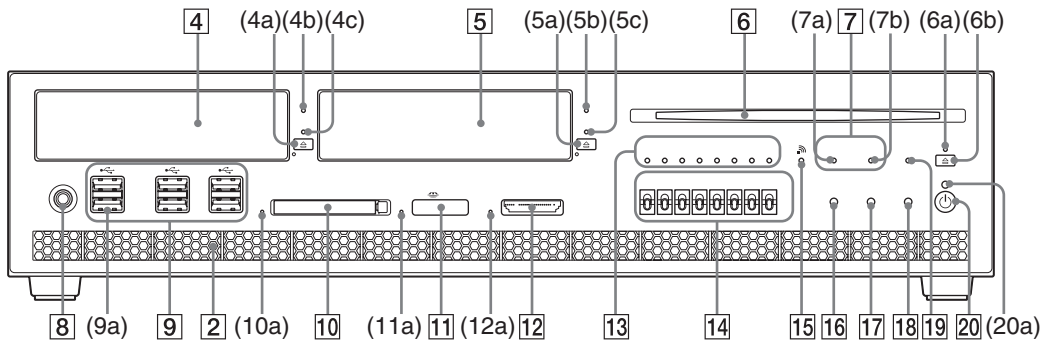
2 Vent

Be sure not to obstruct this vent, as doing so may cause a fire or a malfunction. Also, the unit must be kept well away from a wall to satisfy this requirement.

3 Stickers

Never disassemble the unit.

Front panel



4 HDD bay

Corresponds to the HDD bay in the PLAYSTATION®3 console

Caution

If the HDD is removed improperly, it may result in data corruption or a malfunction. Before removing, check that the HDD is not being accessed.

(4a) Eject button

(4b) HDD access indicator

Flashes while accessing the HDD

(4c) Eject indicator

Illuminates when the HDD is attached

5 HDD(DEV) bay

This HDD is for use with the Blu-ray Disc drive emulation.

Caution

Cannot be used with the Blu-ray Disc drive simultaneously.

If the HDD is removed improperly, it may result in data corruption or a malfunction. Before removing, check that the HDD is not being accessed.

(5a) Eject button

(5b) HDD(DEV) access indicator

Flashes while accessing the HDD(DEV)

(5c) Eject indicator

Illuminates when the HDD(DEV) is attached

6 Blu-ray Disc drive

Caution

Cannot be used with the HDD(DEV) bay simultaneously. Also cannot be used with an 8 cm (3.15 in) disc adaptor. When removing the disc, do not allow the recorded surface to become dirty or scratched.

(6a) Eject indicator

Illuminates when a disc is inserted

(6b) Eject button

7 Drive indicators

(7a) HDD(DEV) drive indicator

Illuminates when the HDD(DEV) bay is selected

(7b) BD drive indicator

Illuminates when the Blu-ray Disc drive is selected

8 Foot switch connector

For connection to the supplied foot switch

9 USB connectors

For connecting a USB connector (A type)

(9a) Extension connectors

Currently not used

10 CF slot

For inserting a CompactFlash® card

(10a) CF access indicator

Flashes while accessing a CompactFlash® card. While the slot is being accessed, do not insert or remove the card. Doing so may result in damage to the card or data corruption.

11 Memory Stick™ slot

For inserting Memory Stick™ media

(11a) Memory Stick™ access indicator

Flashes while accessing Memory Stick™ media. While the slot is being accessed, do not insert or remove the Memory Stick™ media. Doing so may result in damage to the media or data corruption.

12 SD Memory Card slot

For inserting an SD Memory Card

(12a) SD Memory Card access indicator

Flashes while accessing an SD Memory Card. While the slot is being accessed, do not insert or remove the SD Memory Card. Doing so may result in damage to the card or data corruption.

13 GPO indicators

Can be controlled by the user program. Illumination status of these LEDs will change as the boot sequence progresses.

14 GPI switches

Can be used by the user program

15 WLAN access indicator

Illuminates when a wireless LAN connection has been established and flashes while the connection is being accessed

16 Reset button

For initiating a reset of the system

17 Network initialise button

Restores the factory default values for the IP address settings. While holding down this button, press the power button.

18 System initialise button

Restores the factory default initial state to the communication processor software. While holding down this button, press the power button.

19 Status indicator

The system status can be determined by the color and status of the status indicator.

Fast flashing red	Indicates a system malfunction or that the unit's internal temperature may be too high. Either wait for a while and then press the reset button, or turn the unit off once using the main power switch and then turn it back on.
Slow flashing green	Indicates startup of the communication processor, or that the unit is updating, initializing or initializing the network connection
Solid green	Indicates the communication processor has finished startup and is activating properly

20 Power button

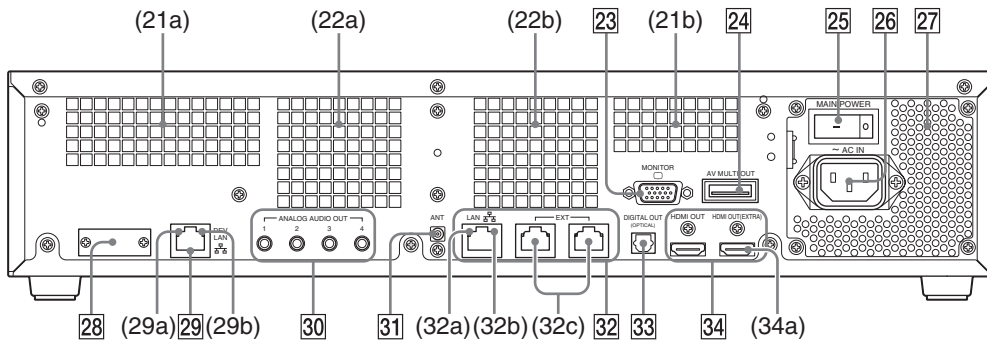
For turning on/off the power supply to the system. Pressing it continuously for more than 10 seconds will force the system to shut down.

(20a) Power indicator

The system status can be determined by the color and status of the power indicator.

Solid red	System is powered off.
Solid green	System is powered on.
Alternating red and green	Indicates the unit's internal temperature may be too high. Turn the power button off, and then wait a while before using again.

Unit rear



21 (21a)(21b) Vent

Be sure not to obstruct these vents, as doing so may cause a fire or a malfunction. Also, the unit must be kept at least 10 cm (3.94 in) away from a wall to satisfy this requirement.

22 (22a)(22b) Vent fan

Be sure not to obstruct these vent fans, as doing so may cause a fire or a malfunction. Also, the unit must be kept at least 10 cm (3.94 in) away from a wall to satisfy this requirement.

23 Monitor connector

For connection to a device with a VGA input connector

24 AV MULTI OUT connector

For connection to a device with an AV MULTI input connector

25 Main power switch

26 AC IN connector

27 Vent

Be sure not to obstruct this vent, as doing so may cause a fire or a malfunction. Also, the unit must be kept at least 10 cm (3.94 in) away from a wall or from the rear panel of the rack to satisfy this requirement.

28 Service connector

For use by service personnel only

29 LAN connector for development

For connection to a debugging network through which the unit communicates with the development host PC. Conforming to the auto-negotiation standard, it supports 10BASE-T, 100BASE-TX, and 1000BASE-T.

Its automatic polarity recognition feature allows the use of a straight cable instead of a cross cable even when it is directly connected with the host PC. Use an Enhanced Category 5 or Category 6 Ethernet cable to connect to a Gigabit hub or other Ethernet device. The MAC address is displayed near the connector.

Caution

Be careful not to confuse this connector with the LAN connector for PLAYSTATION®3 [32](#).

(29a) Link indicator

Off	Transmission in 10-Mbps/100-Mbps mode
Solid green	Transmission in 1000-Mbps mode

(29b) Activity indicator

Solid yellow	The Ethernet link is up but no traffic is present on it.
Flashing yellow	Traffic is present on the link.

30 Analog audio out connector

For connection to a device with an ANALOG AUDIO input connector

31 Antenna connector

By connecting the supplied antenna, wireless LAN communication and Bluetooth function can be used.

32 LAN connectors for PLAYSTATION®3

Conforms to the auto-negotiation standard and supports 10BASE-T, 100BASE-TX, and 1000BASE-T.

For connection to an Ethernet device (e.g. Gigabit-hub) via an Enhanced Category 5 or Category 6 Ethernet cable.

Caution

Be careful not to confuse this connector with the LAN connector for development 29.

(32a) Link indicator

Off	Transmission in 10-Mbps/100-Mbps mode
Solid green	Transmission in 1000-Mbps mode

(32b) Activity indicator

Solid yellow	The Ethernet link is up but no traffic is present on it.
Flashing yellow	Traffic is present on the link.

(32c) Extension connectors

Currently not used. Do not remove the sticker.

33 Digital out (optical) connector

For connection to a device with an optical digital input connector

34 HDMI OUT connectors

For connection to a device with an HDMI input connector

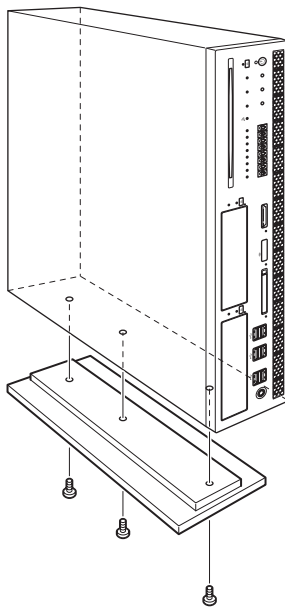
(34a) HDMI OUT (EXT) connector

Currently not used. Do not remove the sticker.

Preparing to use this unit

Attaching the vertical stand

Attach the supplied vertical stand to the unit when using it in a vertical position. Position the unit so that the mounting holes on the unit's left side align with those on the flat surface of the stand. Use the supplied mounting screws to attach the stand.



Caution

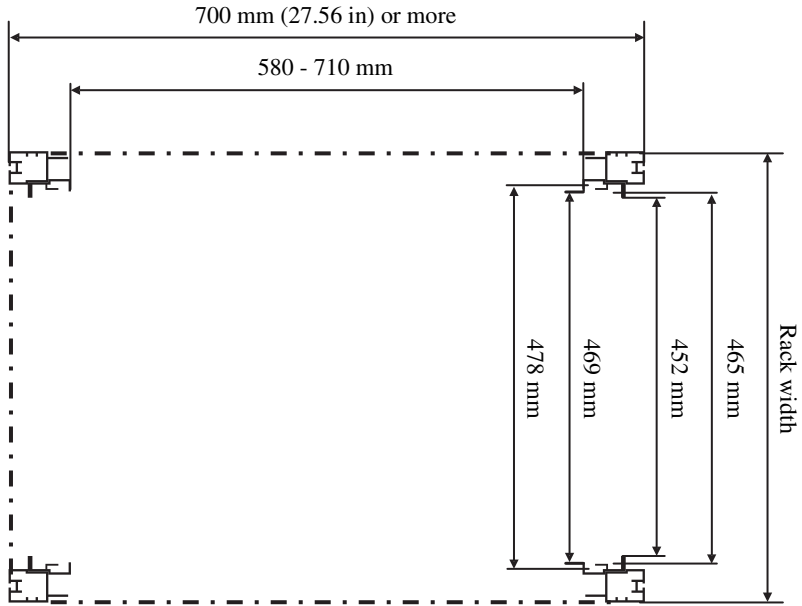
- This operation should be done by two or more persons.
- Always attach the stand to the left side of the unit.
- If the mounting holes on the unit's left side do not align with those on the stand, try turning the stand around so that they line up correctly.

Attaching the unit to the rack

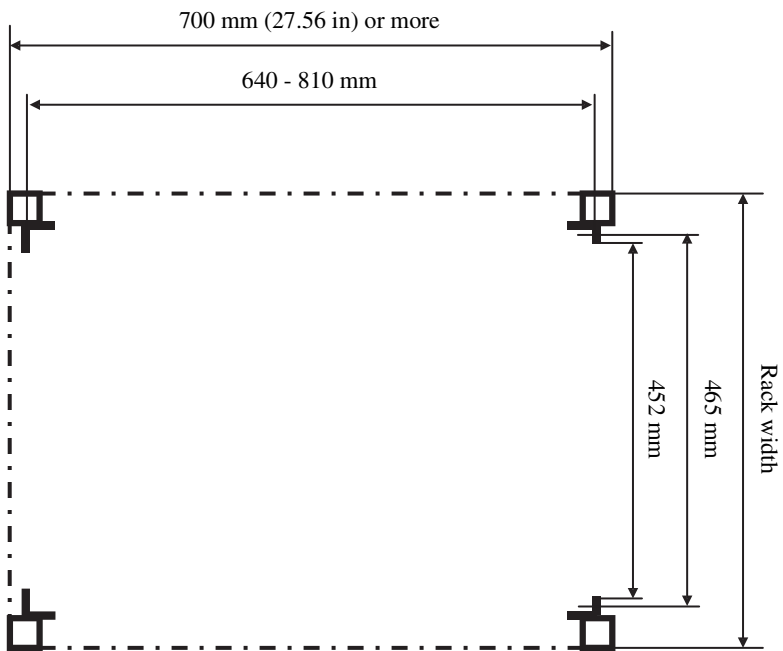
Using the supplied rack mount kit, you can attach the unit to an EIA Standard 19-inch rack.

Applicable rack

Type A



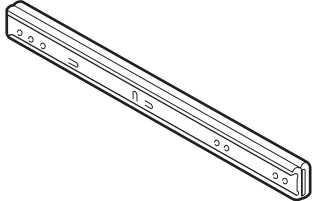

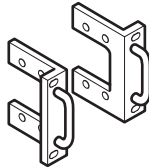



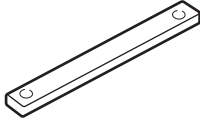
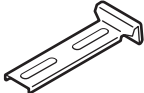


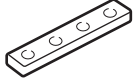



Type B (server rack)



Attaching the unit to the rack

List of components

The rack mount kit contains the following components. Before you assemble the rack mount, make sure that you have all the components. Depending on the rack type, some components may not be necessary.

<p>Ⓐ Rail × 2</p> 	<p>Ⓗ Flat washer × 8</p> 
<p>Ⓑ Handle × 2</p> 	<p>Ⓛ L-shaped hexagonal wrench × 1</p> 
<p>Ⓒ Rail bracket (type A) × 4</p> 	<p>Ⓜ Screw (B5 × 14) × 4</p> 
<p>Ⓓ Plate nut (large) × 4</p> 	<p>Ⓚ Rail bracket (type B) × 4</p> 
<p>Ⓔ Screw (B4 × 8) × 22</p> 	<p>Ⓛ Spacer × 8</p> 
<p>Ⓕ Plate nut (small) × 4</p> 	<p>Ⓝ Cage nut × 8</p> 
<p>Ⓖ Hexagon socket head cap screw × 8</p> 	<p>Ⓝ Screw (K4 × 10) × 8</p> 

Attaching the unit to the rack

Installation

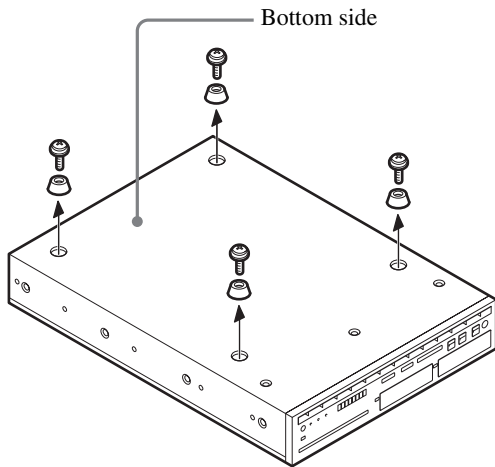
Caution

- The unit should be installed into the rack mount by two or more persons. The unit must be firmly supported when it is placed onto the rails. If not, an injury or accident could result. Take care not to catch your fingers between a stopper and a rail.
- Pay attention to elevations in the unit's internal temperature. For information on operating conditions, see "Specifications" (→ page 34).
- Position the unit so that there is at least 10 cm (3.94 in) of space behind the vents on the unit rear to prevent anything from blocking the vents. Arrange the cables so that they do not block the vents. Also, if using a rack that has a front cover, check that the flow of air into the unit's vents is not blocked.
- Regularly clean the filter unit (→ page 31).
- When installing the rack or unit, secure all necessary parts and components and perform work under stable conditions.
- Connect the supplied AC power cord to power sources that use the appropriate capacity and protective circuitry. For information on power capacity, refer to the label on the unit.
- Connect all AC power cords used by the devices within the rack to power strip(s).

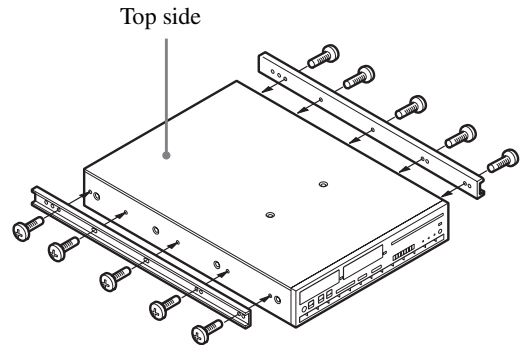
1 Attaching the inner rails to the unit

1 Remove the feet and screws from the bottom of the unit.

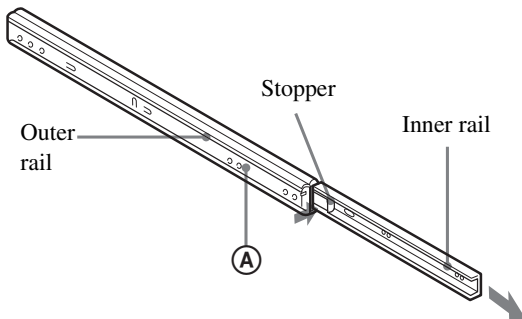
Retain them for possible future use.



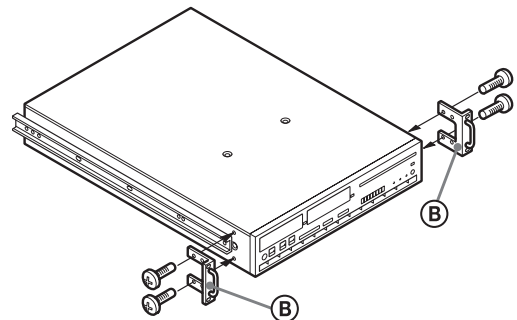
3 Attach the inner rails to both sides of the unit using the screws (E).



2 While pressing down the stopper, pull out the inner rail from the rail (A).



4 Attach the handles (B) to both sides of the unit using the screws (E).

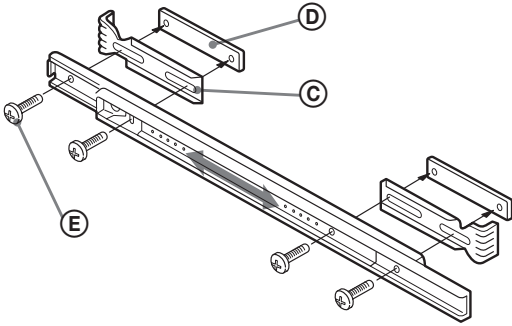


Attaching the unit to the rack

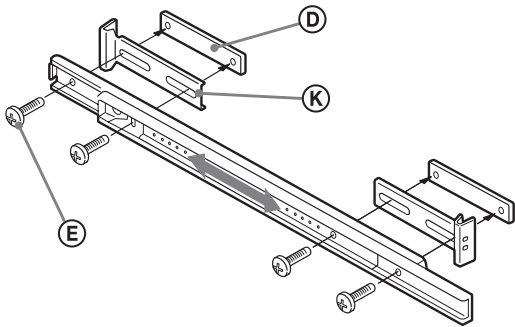
2 Attaching the outer rails to the rack

1 Attach the rail brackets (type A) **C** or (type B) **K** to the outer rails with the large plate nuts **D** and screws **E**, but do not tighten the screws at this point.

Rack (type A)

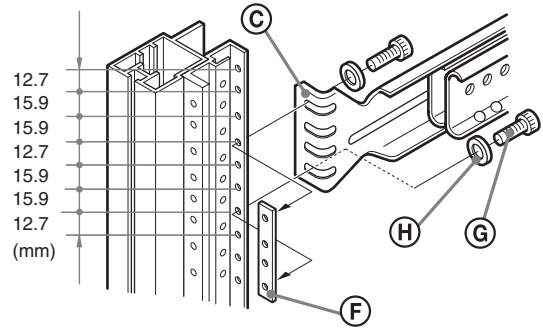


Rack (type B)

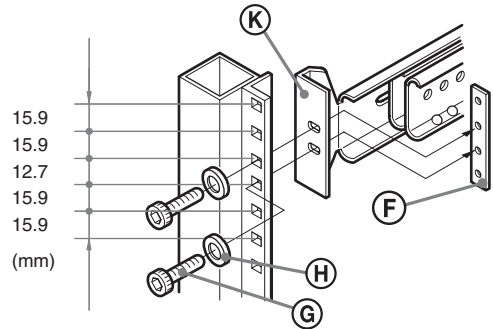


3 Attach the brackets to the rack using the small plate nuts **F**, hexagon socket head cap screws **G**, and flat washers **H**.

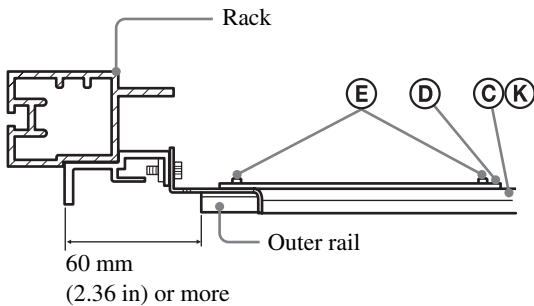
Rack (type A)



Rack (type B)



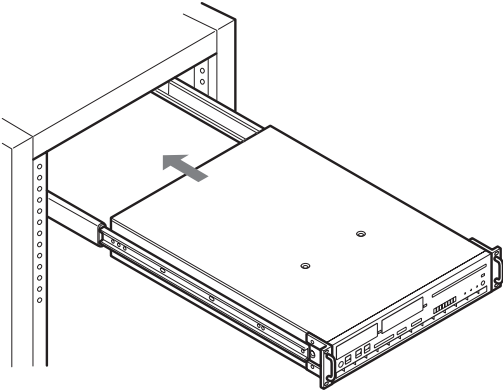
2 Adjust the bracket position so that the end of each rail is at least 60 mm (at least 2.36 in) away from where the handles are to be attached to the rack, and then tighten the screws **E** to secure the rail brackets.



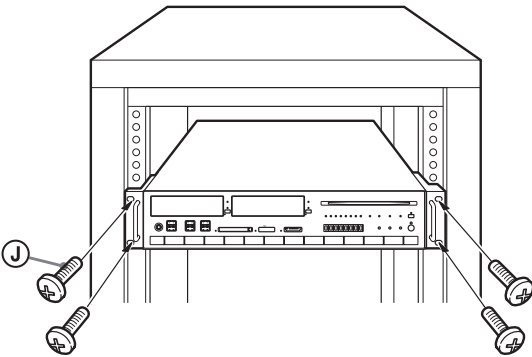
Attaching the unit to the rack

3 Mounting the unit into the rack

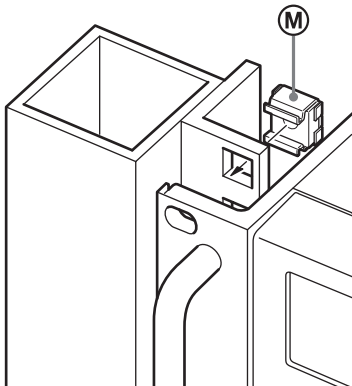
- 1 While pressing the stoppers, insert the inner rails into the outer rails. Then, slide the unit onto the rack and push it as far into the rack as possible.



- 2 Use the screws (J) on the upper or lower screw holes of the handles to secure them to the rack.

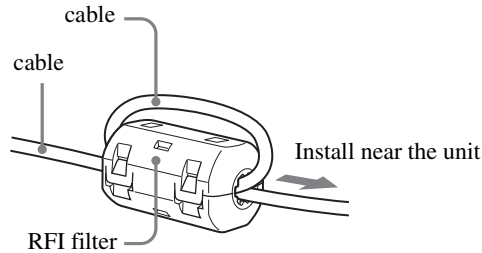


When using the rack (type B), attach the cage nut (M) to the metal plate on the rack prior to installation.



When using Ethernet cables

Install the supplied RFI filter on the Ethernet cable (shielded twisted pair cable). Install the RFI filter 10cm (3.94 in) away from the main unit. When installing the RFI filter on the cable, wind the cable once around the RFI filter, as shown below.



Connecting the hardware

1 Connect the power cables.

Check that the main power switch (→ page 14) is off. Before connecting the power cord, attach the supplied AC power cord clamp to the unit end of the power cord. Then, connect the AC power cord connector to the AC IN connector (→ page 14).

Insert until the clamp locks in position. When disconnecting, hold the tabs of the clamp and pull.

2 Connect the monitor.

If using an HDTV monitor, connect an HDMI cable to the HDMI OUT connector (→ page 15). Optionally, connect an AV MULTI cable to the AV MULTI OUT connector (→ page 14).

3 Connect this unit and the development host PC to the debugging network.

For details, see “Connections for a debugging network” (→ page 23).

4 Make other interface connections.

Make connections to the Gigabit Ethernet and/or USB device as necessary.

Connect an Enhanced Category 5 or Category 6 Ethernet cable between the LAN connector for PLAYSTATION®3 (→ page 15) and the network device (e.g. Gigabit-Ethernet hub), and then connect the cables of USB devices to the USB connectors (→ page 12).

(For supported USB devices, refer to the documents on USB-related libraries.)

Connections for a debugging network

Items required for connection

The following items are necessary in order to set up the debugging network for this unit:

- Reference tool (this unit)
- Ethernet cables × 2
- Ethernet hub
- AV MULTI 480i- or HDMI 480p-compatible display
- Host PC

Caution

Under the factory default settings, an analog RGB- or PAL-compatible display will not display the initial settings for the debugging network.

Information required for setup

The following information is required to set up the unit.

- Availability of a DHCP server
- IP address
- Subnet mask
- IP address for the default gateway

For information on the configuration of the network you will be connecting the unit to, contact the network administrator.

Connection setup

If there is no DHCP server on the network

Create a local area network using the unit and the development PC. Under this network, the following static IP address will be assigned to the unit automatically.

IP address: 192.168.0.2
Subnet mask: 255.255.255.0

Caution

- The IP address and subnet mask settings are factory default values. If the unit's network settings change, these settings will also change accordingly.

- If connecting to a network with settings that are different from the above, first use a local area network to confirm the connection following the procedures contained in this section, and then proceed with adjusting the unit's network settings. For information on the unit's network settings, see "Setting up with the administration tool" (→ page 25). After adjusting the network settings for the unit and the development PC, connect the two components to an existing Ethernet hub on the network.

If there is a DHCP server on the network

Connect the unit and the development PC with the DHCP client software to an Ethernet hub on the network. In this case, setting such as the IP address and subnet mask will be obtained automatically once the power is on. Depending on the DHCP server's settings, settings such as those for the DNS server or default gateway may also be set automatically. To determine which settings are obtained automatically, contact the network administrator.

Making connections

- 1 Connect the unit to the hub with the Ethernet cable.**
- 2 Connect the hub to the host PC with the Ethernet cable.**

Setting up the development PC

Set up the development PC before setting up the unit.

If there is no DHCP server on the network

- 1 Turn on the development PC.**
- 2 Set up the network for the development PC.**
Set the following information.

IP address: 192.168.0.1
Subnet mask: 255.255.255.0

If there is a DHCP server on the network

- 1 Turn on the development PC.**

2 Create settings for the development PC.

Start the DHCP client software and set up the development PC in advance to obtain the IP address and other settings from the DHCP server. For information on operating the software and obtaining the IP address, refer to the instruction manual for the development PC.

3 Create settings for the DHCP server.

When obtaining the IP address from the DHCP server, the assigned IP address usually differs each time. Using a static IP address will facilitate operating the unit. To set a static IP address, contact the network administrator.

Confirming the settings information

After connecting the host PC and the AV MULTI 480i- or HDMI 480p-compatible display, turn on the reference tool and the system.

1 Turn on the main power switch (→ page 14).

This turns on the unit and starts system initialization. During initialization, the status indicator flashes green. This indicator stops flashing when the initialization process is complete.

Caution

Do not operate the unit during initialization.

2 Press the power button.

The power indicator will change from red to green. After approximately 30 seconds, the system will start up.

Caution

Do not operate while the system is starting up.

3 Confirm the information that is displayed.

Check that the following information is displayed:

- IP address
- Subnet mask
- Broadcast address
- IP address for the default gateway
- MAC address
- Host name

Settings information appears on the display in the following cases:

- When the main power switch is on
- When network information is changed by the administration tool
- When the IP address has been restored to the factory default setting
- When the system of the communication processor has been restored to the factory default settings
- When the administration tool's "Restart of dtnem" command has been executed

Caution

- To restore the system of the communication processor to the factory default settings, while holding down the system initialise button, press the power button.
- Under the factory default settings, the AV MULTI 480i- or HDMI 480p setting is used. To restore the factory default settings after video settings have been adjusted, press and hold the power button for more than 5 seconds to start the system.
- To restore the IP address to the factory default setting, while holding down the network initialise button, press the power button.

Adjusting network settings

For details on adjusting network settings, see "Setting up with the administration tool" > "Network" (→ page 30).

Setting up with the administration tool

Preparing for setup

Connect the host PC to the network of the unit. Then set up a web browser disabling the use of proxy servers. Refer to the instruction manual of the host PC for more details.

Turning on the unit

After configuring the debugging network settings of the host PC, turn on the unit.

1 Turn on the main power switch (→ page 14).

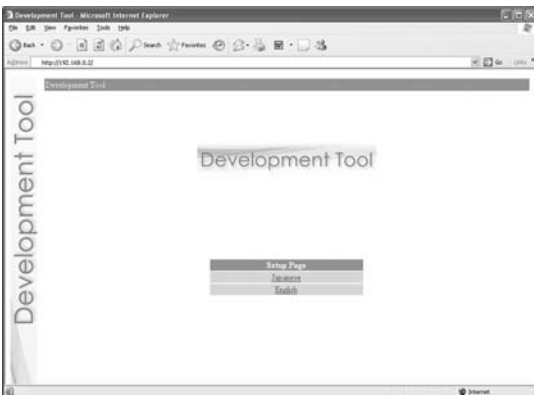
This turns on the unit and starts system initialization. During initialization, the power indicator flashes red. This LED turns solid red when the initialization process is complete.

Starting the administration tool

Start up the administration tool on the host PC. The following section assumes use of the IP address 192.168.0.2 for the unit.

- 1 Start the Web browser on the host PC.
- 2 Type `http://192.168.0.2/` in the address field of the Web browser, and press the Enter key.

The language selection screen is displayed.



3 Select the display language for the administration tool.

The login screen is displayed.

Select the language (for example English) here.

Login

Log in with a user name and password.



1 Enter the user name and password as follows:

To log in as the administrator, enter the “Administrator” user name and password as follows:

- user name: Administrator
 - password: Administrator
- * These are the factory default settings.

When logged in as the administrator, all of the functions shown in the Administration Tools menu are active.

To log in as a user, enter the user name and password as follows:

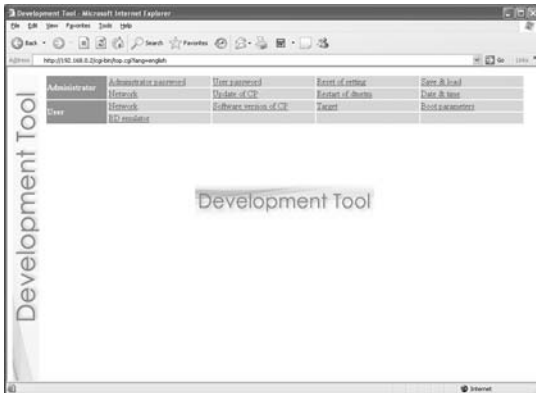
- user name: User
 - password: User
- * These are the factory default settings.

When logged in as a user, only the “User” functions shown in the Administration Tools menu are active. The “Administrator” functions cannot be used.

Setting up with the administration tool

2 Click “OK”.

Upon successfully logging in, the main screen of the administration tool is displayed.



Administrator

These options allow the user to modify settings and update the software of the unit.

Administrator password	Change the administrator password.
User password	Change the user password.
Reset of setting	Initialize the selected settings.
Save & load	Save settings, and synchronize the saved settings with this unit.
Network	Configure the necessary settings for network connections.
Update of CP	Update the software for the communication processor.
Restart of dtnetm	Restart programs communicating with the host PC via the DECI protocol.
Date & time	Configure the time and time zone.

User

The following unit settings can be displayed. Some settings can also be adjusted.

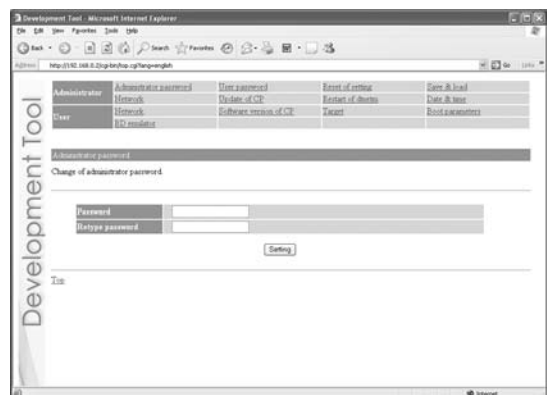
Network	Verify the network settings.
Software version of CP	Verify the version numbers of software packages for the installed communication processor.
Target	Check the status of the development target.
Boot parameters	Verify and change the boot parameters settings.
BD emulator	Confirm or change the BD emulator settings.

Setting up – Administrator

Click on the desired item to the right of “Administrator”.

Administrator password

Upon clicking “Administrator password”, the following screen is displayed. This screen is utilized to change the password used for administrator authentication.



Enter the desired password in the “Password” and “Retype Password” fields. Click “Setting” to complete the configuration.

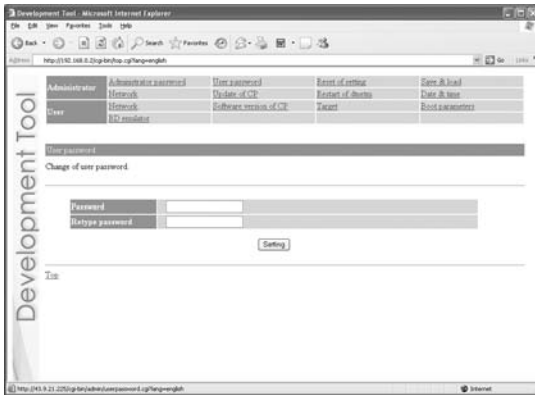
Setting up with the administration tool

Caution

- For security purposes, be sure to change the default password.
- The password must be a combination of both letters and numeric characters. Passwords consisting of all lowercase, all uppercase or all numeric characters are not allowed.
- A password may be seven or eight characters long. Passwords fewer than seven characters long are not allowed. Also, if nine or more characters are entered, only the first eight characters are set as the password.
- If an error is made in entering the password, or the values entered into the “Password” and “Retype password” fields do not match, an error message is displayed. If this occurs, enter the password again.

User password

Upon clicking “User password”, the following screen is displayed. This screen is utilized to change the user password used to log in to the system.



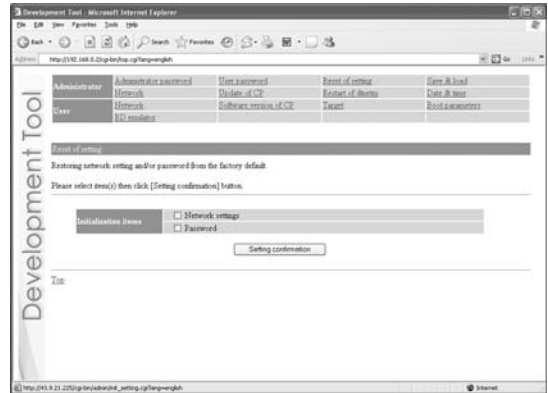
Enter the desired password in the “Password” and “Retype Password” fields. Click “Setting” to complete the configuration.

Caution

- For security purposes, be sure to change the default password.
- The password must be a combination of both letters and numeric characters. Passwords consisting of all lowercase, all uppercase or all numeric characters are not allowed.
- A password may be seven or eight characters long. Passwords fewer than seven characters long are not allowed. Also, if nine or more characters are entered, only the first eight characters are set as the password.
- If an error is made in entering the password, or the values entered into the “Password” and “Retype password” fields do not match, an error message is displayed. If this occurs, enter the password again.

Reset of setting

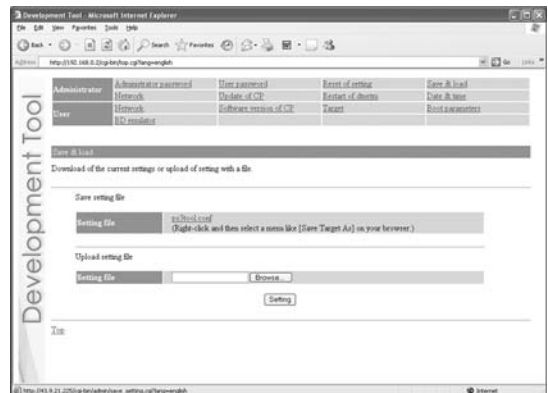
Upon clicking “Reset of setting”, the following screen is displayed. This screen is used to restore the factory default Network & Access control settings and/or administrator password.



Select the items to be initialized and click “Setting confirmation” to complete initialization.

Save & load

Upon clicking “Save & load”, the following screen is displayed. This screen is used to save the current settings of the unit or to upload settings saved as a file on the host PC to the unit.



To save the current setting of the unit on the host PC:

Right-click on “ps3tool.conf” and then select “Save Target As” or “Save Link As”.

Caution

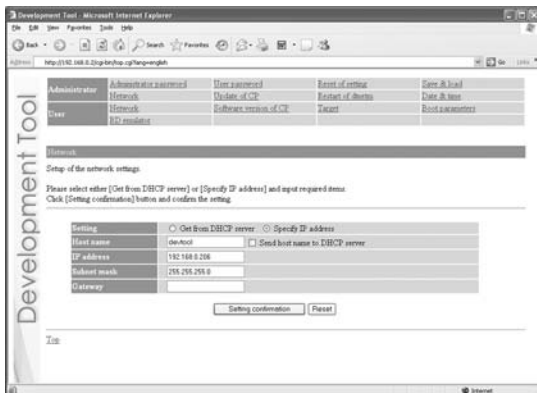
This procedure may vary depending on the web browser used. For details, refer to the instructions for the web browser.

To configure the unit using settings saved on the host PC:

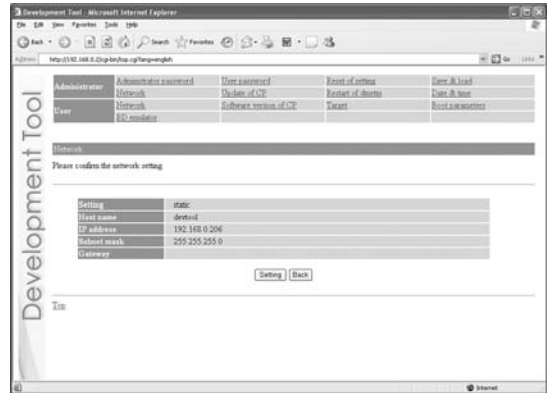
- 1 Check that the IP address defined in the host PC's settings file is the same as that assigned to the unit.**
If the IP address defined in the settings file and the unit's IP address are different, use a text editor to change the IP address in the settings file on the host PC to that assigned to the unit.
- 2 Click "Browse" and select the setting file.**
- 3 Click "Setting".**
This causes the settings of the unit to be updated.

Network

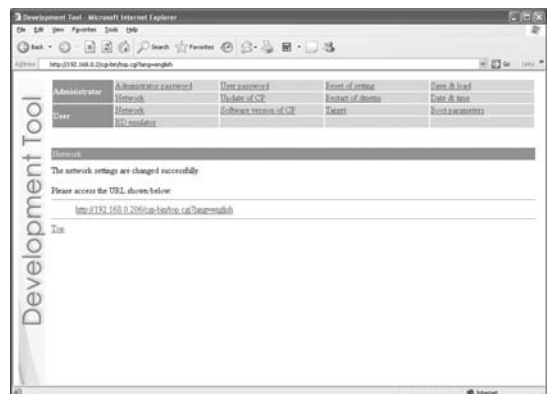
Upon clicking "Network", the following screen is displayed. This screen is used to change the method for obtaining an IP address and to change the values required for network configuration.



If you want to change the network settings, enter the new network settings in the appropriate fields in this screen and then click "Setting confirmation". The following confirmation screen is then displayed.



Click "Setting" to begin processing the settings. After the configuration is set, the following screen is displayed.



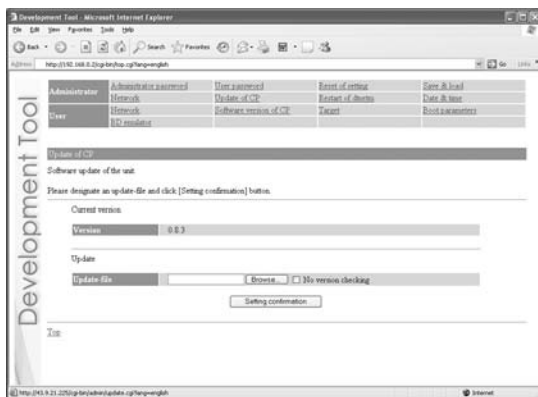
Modify the network connection mode as needed, and access the URL displayed on the screen.

Update of CP

Upon clicking “Update of CP”, the following screen is displayed. This screen is used to update the software required by the communication processors.

- 1 Place the file for updating in the appropriate directory on the host PC, and click “Update of CP”.

The following screen appears.



Caution

Upon clicking “Setting confirmation” (see the step below), the version of the file that is already installed and that of the update file are checked to confirm whether the update file is more recent and to confirm the dependency relationships between them.

This check is not performed if “No version checking” is selected. It is recommended that the default setting (“Check versions”) be used.

- 2 Enter the path to the file, and click “Setting confirmation”.

The following screen is displayed, and the contents of the update file are displayed.

- 3 Verify the contents of the file, and click “Setting”.

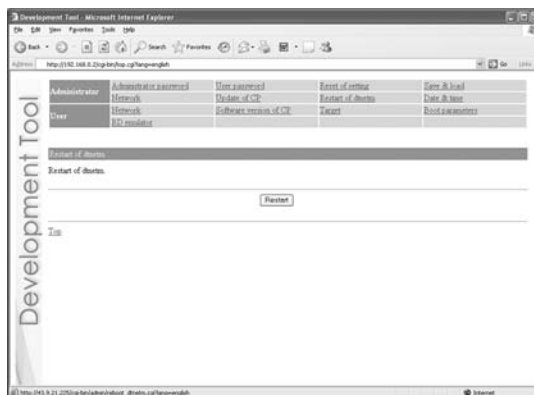
The installation will begin.

If the contents are incorrect, click “Back” to make corrections.

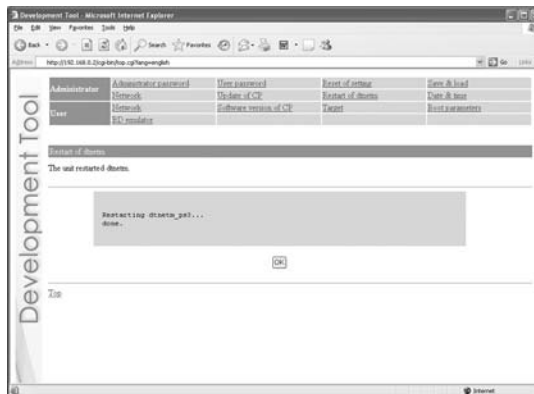
Restart of dtmnet

“dtmnet” is a program used to communicate between the unit and development host PC via the DECI protocol.

Upon clicking “Restart of dtmnet”, the following screen is displayed.



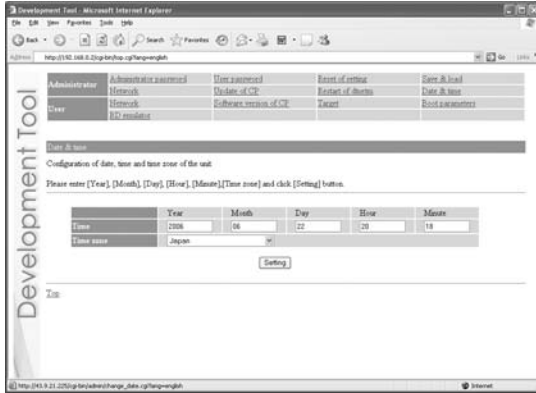
Click “Restart” to restart dtmnet and display the restart status. After completing the restart, the following screen is displayed.



Setting up with the administration tool

Date & time

Upon clicking “Date & time”, the following screen is displayed. This screen is used to configure the date, time and time zone.



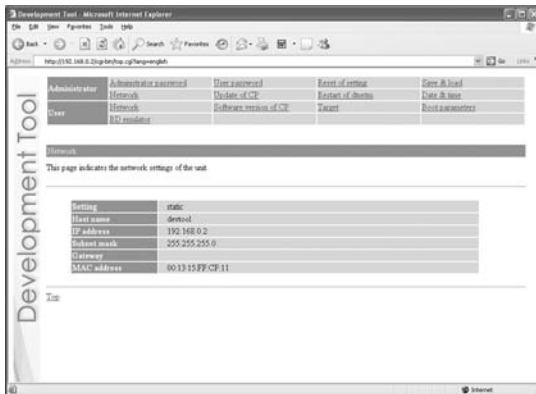
Enter values for the year, month, day and time, and select the time zone. Click “Setting” to complete the configuration.

Adjusting various settings – User

Click items to the right of “User” to adjust various settings.

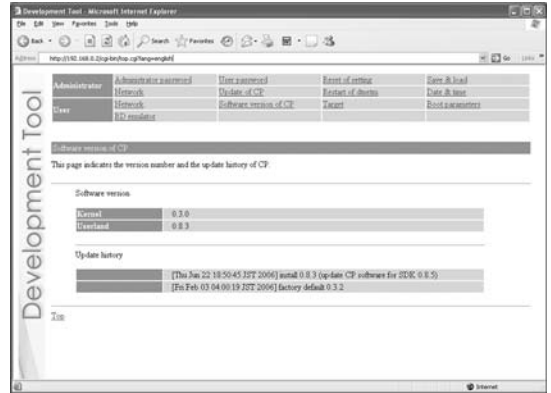
Network

Upon clicking “Network”, the following screen is displayed. This screen allows the user to verify the unit’s network settings.



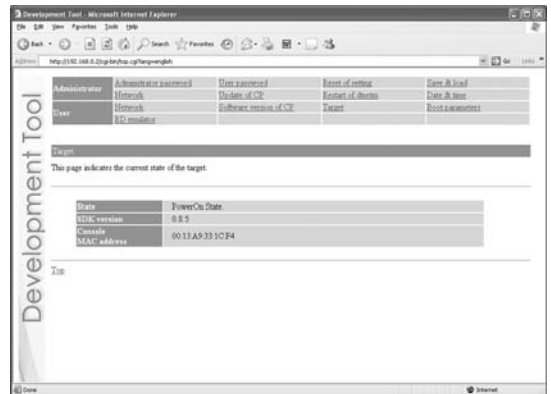
Software version of CP

Upon clicking “Software version of CP”, the following screen is displayed. This screen displays the versions of the software packages for the communication processor in stalled on the unit and allows the user to verify the update history of the unit.



Target

Upon clicking “Target”, the following screen is displayed. This screen allows the user to verify the status of the target.



Boot parameters

Verify and change the boot parameters settings. For details, refer to the SDK documentation.

BD emulator

Verify and change BD emulator settings. For details, refer to the SDK documentation.

Appendices

Handling the unit

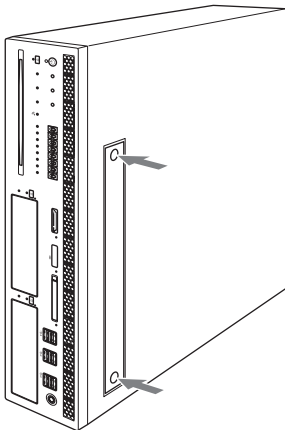
- To avoid malfunction, check that the AC power cord is correctly and securely connected. Turn off the main power switch on the unit rear when not in use.
- Do not put heavy or flammable objects on the unit, as doing so may warp the top panel.

Cleaning the filter unit

If dust accumulates around the filter unit on the unit bottom, it may lead to malfunction. Regularly clean the filter unit.

1 Remove the filter unit from the main unit.

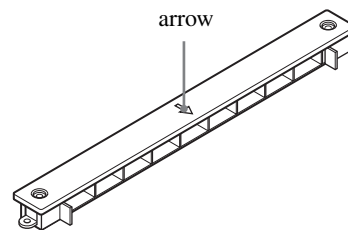
Remove the screws from the unit bottom.



2 Clean the filter unit with a vacuum cleaner or similar product.

3 Reinsert the filter unit.

Use the screws to reattach it to the main unit. Attach so that the arrow on the filter unit is pointing to the main unit's rear side.



Caution

When the main unit is in a horizontal position, always have two or more persons operate when removing or reinserting the filter unit. If the main unit falls, it could lead to injury or malfunction.

Troubleshooting

The power does not turn on.

- Check that the AC power cord is securely connected and the main power switch (→ page 14) is turned on.

The unit cannot be accessed over the network while in use.

- Check that the power indicator illuminates.
- Check that the Ethernet cable is securely connected.
- Check that the unit's settings have not been changed by other PCs. Contact your network administrator for assistance.

When network settings are modified, the unit can no longer be accessed.

- The network setting may not be correct.
Check that you can access the currently connected network using the values for IP address/subnet mask that have been configured. For details, please consult your network administrator.
To check whether the host PC and the unit are correctly communicating, start the ping command from the host PC. For details regarding the use of the ping command, see the “About the ping command” section below, or refer to the instruction manual supplied with the host PC.
While holding down the network initialise button, press the power button to restore the factory default values for the IP address settings.

About the ping command

If your host PC's operating system supports the “ping” command, enter the ping command as shown below.

```
# ping (the IP address of the unit)
```

When network communications are functioning, you will see information like the following at a fixed interval.

```
PING 192.168.0.2(192.168.0.2):56(84)data bytes  
64 bytes from 192.168.0.2:icmp_seq=0  
ttl=64 time=0.1ms  
64 bytes from 192.168.0.2:icmp_seq=1  
ttl=64 time=0.1ms  
64 bytes from 192.168.0.2:icmp_seq=2
```

When network communications are not functioning, the information will stop after the following:
PING 192.168.0.2(192.168.0.2):56 data bytes

If the display appears as shown above, check the following:

- Is the Ethernet cable securely connected to the LAN connector for development on the unit?
- Is the Ethernet cable securely connected to the hub?
- Is the Ethernet cable securely connected to the host PC?
- Do the network settings of the host PC match those of the unit?

After checking the above items, start the ping command from the host PC. Then check the indicators located near the LAN connector for development on the unit rear.

The unit cannot be accessed, even though five minutes have elapsed since it was turned on.

→ Check that the power indicator lights up in green.

If so,

There may be a problem with the Ethernet cable or the connected hub. Change the Ethernet cable or hub, or contact your network administrator for assistance.

Status indicator is flashing red.

→ If the status indicator (→ page 13) is flashing red, there may be a system malfunction or the unit's internal temperature may be too high. Wait a while and then press the reset button or turn off the unit once using the main power switch, and then turn the unit back on.

If the status indicator flashes frequently, it may be an indication of a malfunction in the unit. In this case, contact your sales representative.

The unit does not function properly when using storage media.

→ For information on problems related to Memory Stick™ media, CompactFlash® or SD Memory Card use, contact the manufacturer from where you obtained the media.

Specifications

Power

Input voltage	AC 100-240V
Input current	9-4A
Rated frequency	50/60 Hz

Operating environment

Operating temperature 5 - 35°C (41 - 95°F)
Operating humidity 30% - 80% (with no condensation)

Dimensions (excluding protrusions)

424 × 88 × 596 mm (16.69 × 3.46 × 23.46 in)
(w/h/d)

Mass

Approx. 18 kg (39.68 lb)

Cell processor (CBE)

Clock frequency 3.2 GHz

Main memory

512 MB

Built-in peripherals

Communication processor (300 MHz)

External interfaces

Blu-ray Disc drive ×1
HDD ×2
USB connector ×4
 Extension connector ×2 (currently not used)
Memory Stick™ slot ×1
CF slot ×1
SD Memory Card slot ×1
Foot switch connector ×1
Antenna connector ×1
 Wireless LAN IEEE 802.11b/g
 Bluetooth Ver2.0 + EDR
LAN connector for development ×1

Limitations of liability

LAN connector for PLAYSTATION®3 ×1
Extension connector ×2 (currently not used)
Digital out (optical) connector ×1
HDMI OUT connector ×1
Extension connector ×1 (currently not used)
AV MULTI OUT connector ×1
Monitor connector ×1
Analog audio output connector ×4

Wireless LAN Channels

USA and Canada	1-11 ch.
Europe	1-13 ch.

Supplied accessories

Instruction manual × 1
AC power cord for use in Oceania × 1
AC power cord for use in Europe × 1
AC power cord for use in Korea × 1
AC power cord for use in UK × 1
AC power cord for use in USA and Canada × 1
AC power cord clamp × 3
Foot switch × 1
Antenna × 1
Vertical stand × 1
Rack mount kit × 1
RFI filter × 4

Design and specifications are subject to change without notice.

Limitations of liability

This product is supplied pursuant to and subject to the terms and conditions set forth by applicable agreement(s) with Sony Computer Entertainment Inc. or its affiliates. Other than as expressly set forth by SCEI and/or any of its affiliates, except to the extent prohibited by applicable laws, SCEI and/or any of its affiliates shall not be liable for any damages, including special, incidental or consequential damages, or fees arising out of the use or inability to use this product.

“Blu-ray Disc” and  are trademarks.

The Bluetooth word mark and logos are owned by the Bluetooth SIG, Inc. and any use of such marks by Sony Computer Entertainment Inc. is under license.

HDMI, the HDMI logo and High-Definition Multimedia Interface are trademarks or registered trademarks of HDMI Licensing, LLC.

Sony Computer Entertainment Inc. is an authorized licensee of the CompactFlash® registered trademark.

For information on other licenses and trademarks, refer to license.txt provided with the PLAYSTATION®3 Programmer Tool Runtime Library package at <https://ps3.scedev.net/>.

For customers in Europe



Where you see this symbol on any of our electrical products/packaging in Europe, it means that at end of life the product must be disposed of separately as electrical waste in accordance with any applicable laws or requirements for disposal of such electrical equipment. Accordingly at end-of-life we will arrange for separate disposal of our loan equipment including without limitation development kits which remain at all times the property of Sony Computer Entertainment Europe. If you would like assistance with the disposal of any other electrical products which we have supplied to you for business use, we can arrange a take-back service on request. Please check <http://www.devtoolrec.scee.net> for more information.

Dit apparaat bevat een vast ingebouwde batterij die niet vervangen hoeft te worden tijdens de levensduur van het apparaat. Raadpleeg uw leverancier indien de batterij toch vervangen moet worden. De batterij mag alleen vervangen worden door vakbekwaam servicepersoneel. Gooi de batterij niet weg maar lever deze in als klein chemisch afval (KCA). Lever het apparaat aan het einde van de levensduur in voor recycling, de batterij zal dan op correcte wijze verwerkt worden.






This product may fall within the scope of national export control legislation.
You must comply fully with the requirements of such legislation and of all other applicable laws of any jurisdiction in relation to this product.

Contact information:

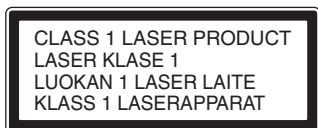
	<p>Korea Technology Group Sony Computer Entertainment Korea Inc. 14Fl. Koosan Tower, 3250, Bangbae2-Dong Seocho-Gu, Seoul, #137-853 Korea E-mail: ps3_support@scek.co.kr TEL: +82-2-6230-3596 (direct)</p> <p>United Kingdom (Europe) Technology Group Sony Computer Entertainment Europe 13 Great Marlborough Street. 1st Floor London W1F 7HP UK TEL: +44 20 7911 7711 http://www.technology.scee.net/</p> <p>USA Developer Support Sony Computer Entertainment America 919 East Hillsdale Boulevard, 2nd Floor Foster City, CA 94404-2175 USA E-mail: scea_support@ps3.scedev.net TEL: +1-650-655-5566 (direct) FAX: +1-650-655-5511 (direct)</p>
--	---

Without obtaining the consent of the owner, no part of the content of this document may be copied, pursuant to the provisions of the Copyright Act.

“” and “PLAYSTATION” are registered trademarks and “Cell Broadband Engine” is a trademark of Sony Computer Entertainment Inc.

“SONY” and “” are registered trademarks and “Memory Stick” and “” are trademarks of Sony Corporation.

- To avoid electrical shock, do not open the cabinet. Refer servicing to qualified personnel only.
- CAUTION – Use of controls or adjustments or performance of procedures other than those specified herein may result in hazardous radiation exposure.
- This appliance is classified as a CLASS 1 LASER product under IEC60825-1+A2:2001.
- This device complies with Part 15 of the FCC Rules and RSS-Gen of IC Rules. Operation is subject to the following two conditions: (1) this device may not cause harmful interference, and (2) this device must accept any interference received, including interference that may cause undesired operation of this device.
- This transmitter must not be co-located or operated in conjunction with any other antenna or transmitter.



For customers in the U.S.A. and Canada

- NOTICE
This equipment has been tested and found to comply with the limits for a Class B digital device, pursuant to part 15 of the FCC Rules. These limits are designed to provide reasonable protection against harmful interference in a residential installation. This equipment generates, uses and can radiate radio frequency energy and, if not installed and used in accordance with the instructions, may cause harmful interference to radio communications. However, there is no guarantee that interference will not occur in a particular installation. If this equipment does cause harmful interference to radio or television reception, which can be determined by turning the equipment off and on, the user is encouraged to try to correct the interference by one or more of the following measures:
 - Reorient or relocate the receiving antenna.
 - Increase the separation between the equipment and receiver.
 - Connect the equipment into an outlet on a circuit different from that to which the receiver is connected.
 - Consult the dealer or an experienced radio/TV technician for help.
- You are cautioned that any changes or modifications not expressly approved in this manual could void your authority to operate this equipment.

- This equipment complies with FCC/IC radiation exposure limits set forth for uncontrolled equipment and meets the FCC radio frequency (RF) Exposure Guidelines in Supplement C to OET65 and RSS-102 of the IC radio frequency (RF) Exposure rules. This equipment should be installed and operated with at least 20cm and more between the radiator and person's body (excluding extremities: hands, wrists, feet and legs).
- If you have questions about this product, call our technical support line at 1-800-345-7669, or write to:
Sony Computer Entertainment America
Consumer Services/Technical Support
PO Box 5888, San Mateo, CA 94402-0888 U.S.A.

Declaration of Conformity

Trade Name :	SONY
Model No. :	DECR-1000A
Responsible Party :	Sony Electronics Inc.
Address :	16450 W. Bernardo Dr. San Diego, CA 92127 U.S.A.
Telephone No. :	858-942-2230