

SONY®

4-585-170-01 (2)

Digital Wireless Transmitter

Before Using this Unit

Before operating the unit, please read this manual thoroughly and retain it for future reference.

DWT-B01N

© 2015 Sony Corporation Printed in Japan



4585170010

CAUTION

Danger of explosion if battery is incorrectly replaced.

Replace only with the same or equivalent type recommended by the manufacturer.

When you dispose of the battery, you must obey the law in the relative area or country.

WARNING

Batteries shall not be exposed to excessive heat such as sunshine, fire or the like.

If the transmitter develops an abnormally high temperature, a burning odor or smoke during use, remove the battery holder and stop using the transmitter immediately.

Take care not to burn your fingers when removing the battery holder as the batteries may be very hot at this time.

This transmitter must not be co-located or operated in conjunction with any other antenna or transmitter.

For the customers in the U.S.A.

This equipment has been tested and found to comply with the limits for a Class B digital device, pursuant to part 15 of the FCC Rules. These limits are designed to provide reasonable protection against harmful interference in a residential installation. This equipment generates, uses and can radiate radio frequency energy and, if not installed and used in accordance with the instructions, may cause harmful interference to radio communications. However, there is no guarantee that interference will not occur in a particular installation. If this equipment does cause harmful interference to radio or television reception, which can be determined by turning the equipment off and on, the user is encouraged to try to correct the interference by one or more of the following measures:

- Reorient or relocate the receiving antenna.
- Increase the separation between the equipment and receiver.
- Connect the equipment into an outlet on a circuit different from that to which the receiver is connected.
- Consult the dealer or an experienced radio/TV technician for help.

Changes or modifications not expressly approved by the party responsible for compliance could void the user's authority to operate the equipment.

All interface cables used to connect peripherals must be shielded in order to comply with the limits for a digital device pursuant to Subpart B of part 15 of FCC Rules.

If you have any questions about this product, you may call; Sony Customer Information Service Center 1-800-222-7669 or <http://www.sony.com/>

Declaration of Conformity

Trade Name: SONY
Model: DWT-B01N / DWT-B01NI
Responsible party: Sony Electronics Inc.
Address: 16535 Via Esprillo, San Diego, CA 92127 U.S.A.
Telephone Number: 858-924-2230

This device complies with part 15 of the FCC Rules. Operation is subject to the following two conditions: (1) This device may not cause harmful interference, and (2) this device must accept any interference received, including interference that may cause undesired operation.

Use of Sony wireless devices is regulated by the Federal Communications Commission as described in Part 74 subpart H of the FCC regulations and users authorized thereby are required to obtain an appropriate license.

This equipment complies with FCC radiation exposure limits set forth for an uncontrolled environment and meets the FCC radio frequency (RF) Exposure Guidelines. This equipment has very low levels of RF energy that are deemed to comply without testing of specific absorption rate (SAR).

For the customers in Canada

CAN ICES-3 (B)/NMB-3(B)

This device complies with Industry Canada's licence-exempt RSSs. Operation is subject to the following two conditions:

- (1) This device may not cause interference; and
- (2) This device must accept any interference, including interference that may cause undesired operation of the device.

The available scientific evidence does not show that any health problems are associated with using low power wireless devices. There is no proof, however, that these low power wireless devices are absolutely safe. Low power Wireless devices emit low levels of radio frequency energy (RF) in the microwave range while being used. Whereas high levels of RF can produce health effects (by heating tissue), exposure of low-level RF that does not produce heating effects causes no known adverse health effects. Many studies of low-level RF exposures have not found any biological effects. Some studies have suggested that some biological effects might occur, but such findings have not been confirmed by additional research. DWT-B01N and DWT-B01NI have been tested and found to comply with IC radiation exposure limits set forth for an uncontrolled environment and meets RSS-102 of the IC radio frequency (RF) Exposure rules.

The term "IC:" before the radio certification number only signifies that Industry Canada technical specifications were met.

This device operates on a no-protection no-interference basis. Should the user seek to obtain protection from other radio services operating in the same TV bands, a radio licence is required. Please consult Industry Canada's document CPC-2-1-28, Optional Licensing for Low-Power Radio Apparatus in the TV Bands, for details.

This radio transmitter (409B-DWTB01N/409B-DWT-B01NI) have been approved by Industry Canada to operate with the antenna types listed below with the maximum permissible gain indicated. Antenna types not included in this list, having a gain greater than the maximum gain indicated for that type, are strictly prohibited for use with this device.

Antenna type: Whip Gain: 2.14 dBi



For the customers in Europe

This product has been manufactured by or on behalf of Sony Corporation, 1-7-1 Konan Minato-ku Tokyo, 108-0075 Japan. Inquiries related to product compliance based on European Union legislation shall be addressed to the authorized representative, Sony Deutschland GmbH, Hedelfinger Strasse 61, 70327 Stuttgart, Germany. For any service or guarantee matters, please refer to the addresses provided in the separate service or guarantee documents.

Before operating this unit, please read the separate R&TTE precautions document.

Voor de klanten in Europa

Lees voordat u het apparaat gaat gebruiken eerst het aparte document met waarschuwingen m.b.t. radio- en telecommunicatieontvangstapparatuur (R&TTE).

För kunder i Europa

Innan du använder den här enheten ska du läsa det separata dokumentet om försiktighetsåtgärder enligt R&TTE-direktivet.

Para clientes na Europa

Antes de utilizar esta unidade, leia o documento R&TTE fornecido em separado.

Til europæiske kunder

Læs det separate R&TTE-direktiv om forholdsregler, inden du betjener enheden.

Asiakkaille Euroopassa

Lue erillinen radio- ja telepäätelaitteita koskeva varoitussasiakirja (R&TTE) ennen laitteen käyttöä.

For kunder i Europa

Les det separate R&TTE-dokumentet med forsiktighetsregler før du bruker denne enheten.

Για τους πελάτες που διαμένουν σε χώρες της Ευρώπης

Πριν χρησιμοποιήσετε αυτήν τη μονάδα, διαβάστε το ξεχωριστό έγγραφο λήψης προφυλάξεων της οδηγίας R&TTE.

За клиентите в Европа

Преди да използвате уреда, моля прочетете отделния документ с предпазни мерки за R&TTE (Radio and telecommunications terminal equipment) (Радиооборудване и крайно далекосъобщително оборудване).

Pro zákazníky v Evropě

Před použitím tohoto zařízení si prostudujte bezpečnostní upozornění v samostatném dokumentu R&TTE.

Klientidele Euroopas

Palun tutvuge enne seadme kasutamist eraldi dokumendiga mis puudutab R&TTE direktiivist tulenevaid ettevaatusabinõusid.

Európai ügyfeleinknek

A készülék használatba vétele előtt szíveskedjék elolvasni a rádió- és távközlési berendezésekkel kapcsolatos óvintézkedéseket ismertető R&TTE dokumentumot.

Klientiem Eiropā

Pirms lietošanas ierīci, lūdzam izlasiet atsevišķo R&TTE (Radiosakaru un telekomunikāciju termināla iekārtu) drošības brīdinājumu dokumentu.

Europos klientams

Prieš naudodamies šiuo prietaisu perskaitykite atskirą R&TTE (Radijo ir telekomunikacijų terminalų) atsargumo priemonių dokumentą.

Dla klientów w Europie

Przed przystąpieniem do korzystania z tego urządzenia należy przeczytać oddzielny dokument dotyczący środków ostrożności wynikających z dyrektywy w sprawie urządzeń radiowych i końcowych urządzeń telekomunikacyjnych oraz wzajemnego uznawania ich zgodności (dyrektywa R&TTE).

Pentru clienții din Europa

Înainte de a utiliza unitatea, vă rugăm să citiți documentul separat R&TTE cu măsuri de precauție.

Pre zákazníkov v Európe

Pred spustením tohto prístroja si prečítajte osobitné opatrenia smernice R&TTE.

Za stranke v Evropi

Pred uporabo te naprave preberite ločen dokument z varnostnimi ukrepi v zvezi z R&TTE.

Za korisnike u Europi

Prije upotrebe ovog uređaja pročitajte dokument s R&TTE mjerama opreza.

This model has an RF module of the FCC/IC approval built-in

BUILT IN MODULE RM-215

FCC-ID: AK8RM215
IC: 409B-RM215

Changes or modifications not expressly approved by the party responsible for compliance could void the user's authority to operate the equipment.

This transmitter must not be co-located or operated in conjunction with any other antenna or transmitter.

For the customers in the U.S.A.

This device complies with part 15 of the FCC Rules. Operation is subject to the following two conditions: (1) this device may not cause harmful interference, and (2) this device must accept any interference received, including interference that may cause undesired operation.

This device complies with Industry Canada's licence-exempt RSSs. Operation is subject to the following two conditions:

- (1) This device may not cause interference; and
- (2) This device must accept any interference, including interference that may cause undesired operation of the device.

The term "IC:" before the radio certification number only signifies that Industry Canada technical specifications were met.

This device operates on a no-protection no-interference basis. Should the user seek to obtain protection from other radio services operating in the same TV bands, a radio licence is required. Please consult Industry Canada's document CPC-2-1-28, Optional Licensing for Low-Power Radio Apparatus in the TV Bands, for details.

For the customers in the U.S.A.

SONY LIMITED WARRANTY - Please visit <http://www.sony.com/psa/warranty> for important information and complete terms and conditions of Sony's limited warranty applicable to this product.

For the customers in Canada

SONY LIMITED WARRANTY - Please visit <http://www.sonybiz.ca/pro/lang/en/ca/article/resources-warranty-product-registration> for important information and complete terms and conditions of Sony's limited warranty applicable to this product.

For the customers in Europe

Sony Professional Solutions Europe - Standard Warranty and Exceptions on Standard Warranty.

Please visit <http://www.pro.sony.eu/warranty> for important information and complete terms and conditions.

For the customers in Korea

SONY LIMITED WARRANTY - Please visit <http://bpeng.sony.co.kr/handler/BPAS-Start> for important information and complete terms and conditions of Sony's limited warranty applicable to this product.

Precautions for Use

The life expectancy of the electrolytic capacitor is about 5 years under normal operating temperatures and normal usage (8 hours per day; 25 days per month). If usage exceeds the above normal usage frequency, the life expectancy may be reduced correspondingly.

Features

The DWT-B01N is a digital wireless transmitter for a UHF synthesized wireless microphone system to be used for broadcast or movie production purpose. This transmitter is suitable for Electronic News Gathering (ENG) and Electronic Field Production (EFP).

Using the CD-ROM manual

The manual can be read on a computer with Adobe Reader installed. You can download Adobe Reader free from the Adobe website.

- 1 Open the index.html file in the CD-ROM.
- 2 Select and click on the manual that you want to read.

Note

If you have lost or damaged the CD-ROM, you can purchase a new one from your Sony dealer or Sony service counter.

Specifications

Transmitting section

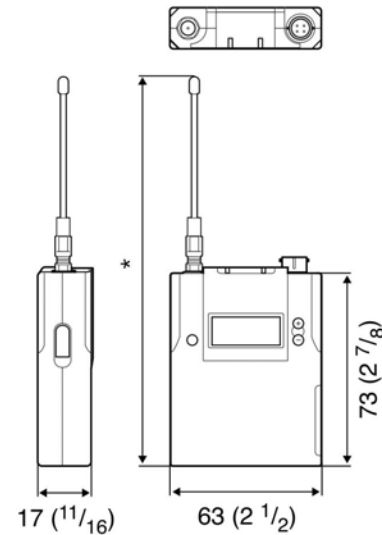
Oscillator type	Crystal-controlled PLL synthesizer
RF power output	1 mW/10 mW/50 mW (e.r.p) selectable
Antenna type	$\lambda/4$ flexible wire
Occupied RF bandwidth	192 kHz or less
Audio delay	MODE1: 1.5 ms MODE2: 1.0 ms MODE3: 2.1 ms
Allowable deviation of transmission frequency	± 6.5 ppm
Type of emission	G1E or G1D
Modulation method	$\pi/4$ Shift QPSK

Audio section

Maximum input level	MIC: -22 dBu (with 0 dB attenuator) LINE: +24 dBu
Audio attenuator adjustment range (pad)	0 dB to 48 dB (3 dB steps, MIC input mode only)
Microphone input connector	Sony 4-pin (SMC9-4S) (female)
Input impedance	4.7 kohms or more
Frequency response	20 Hz to 22,000 Hz
T.H.D	MODE1, MODE2: 0.03% or less MODE3: 0.3% or less
Dynamic range	106 dB or more 0 dBu = 0.775 V

General

Operating voltage	3 V DC, with two LR6 (AA) alkaline batteries
Battery life	Continuous operating time 5 hours (at 25 °C (77 °F), 10-mW output using Sony LR6 (AA)-size alkaline batteries with CODEC MODE set to MODE1 and the wireless remote control function off and DIMMER MODE set to AUTO OFF)
Operating temperature	0 °C to 50 °C (32 °F to 122 °F)
Storage temperature	-20 °C to +60 °C (-4 °F to +140 °F)
Wireless remote control	2.4-GHz IEEE802.15.4 compliant
Dimensions (unit: mm (inches))	



* U14/CE21 model: 233 (9 1/2)
U30/CE33 model: 206 (8 1/8)
U42/CE42 model: 188 (7 1/2)

Mass	Approx. 125 g (4.4 oz) including batteries
Supplied accessories	Spare battery case (1) Soft case (1) Microphone cable (4-pin to XLR-type 3-pin) (1) USB adapter cable (1) Carrying case (1) Scribble sheet (1) Antenna tubes (2) Before Using this Unit (3) CD-ROM (1)
Optional accessories	ECM-77BC/9X lavalier microphones

Design and specifications are subject to change without notice.

Notes

- Always verify that the unit is operating properly before use. SONY WILL NOT BE LIABLE FOR DAMAGES OF ANY KIND INCLUDING, BUT NOT LIMITED TO, COMPENSATION OR REIMBURSEMENT ON ACCOUNT OF THE LOSS OF PRESENT OR PROSPECTIVE PROFITS DUE TO FAILURE OF THIS UNIT, EITHER DURING THE WARRANTY PERIOD OR AFTER EXPIRATION OF THE WARRANTY, OR FOR ANY OTHER REASON WHATSOEVER.
- SONY WILL NOT BE LIABLE FOR CLAIMS OF ANY KIND MADE BY USERS OF THIS UNIT OR MADE BY THIRD PARTIES.
- SONY WILL NOT BE LIABLE FOR THE TERMINATION OR DISCONTINUATION OF ANY SERVICES RELATED TO THIS UNIT THAT MAY RESULT DUE TO CIRCUMSTANCES OF ANY KIND.

Printed on recycled paper.

<http://www.sony.net/>