

**SONY®**

4-103-221-11(1)

# ***LOCATION Free TV***

---

Operating Instructions



**MEMORY STICK™**

***LF-X11***

© 2005 Sony Corporation

### Owner's Record

The model and serial numbers are located at the bottom of the base station. Record the serial number in the space provided below. Refer to them whenever you call upon your Sony dealer regarding this product.


Model No. LF-X11

Serial No. \_\_\_\_\_

### Contacting Sony

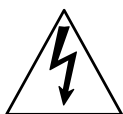
If, after reading these operating instructions, you have additional questions related to the use of your Sony television, please call our Customer Information Services Center at 1-800-222-SONY (7669) (US residents only) or 1-877-899-SONY (7669) (Canadian residents only).

### Important Safety Instructions

- 1) Read these instructions.
  - 2) Keep these instructions.
  - 3) Heed all warnings.
  - 4) Follow all instructions.
  - 5) Do not use this apparatus near water.
  - 6) Clean only with dry cloth.
  - 7) Do not block any ventilation openings. Install in accordance with the manufacturer's instructions.
  - 8) Do not install near any heat sources such as radiators, heat registers, stoves, or other apparatus (including amplifiers) that produce heat.
  - 9) Do not defeat the safety purpose of the polarized or grounding-type plug. A polarized plug has two blades with one wider than the other. A grounding type plug has two blades and a third grounding prong. The wide blade or the third prong are provided for your safety. If the provided plug does not fit into your outlet, consult an electrician for replacement of the obsolete outlet.
  - 10) Protect the power cord from being walked on or pinched particularly at plugs, convenience receptacles, and the point where they exit from the apparatus.
  - 11) Only use attachments/accessories specified by the manufacturer.
  - 12) Use only with the cart, stand, tripod, bracket, or table specified by the manufacturer, or sold with the apparatus. When a cart is used, use caution when moving the cart/apparatus combination to avoid injury from tip-over.
- 
- 13) Unplug this apparatus during lightning storms or when unused for long periods of time.
  - 14) Refer all servicing to qualified service personnel. Servicing is required when the apparatus has been damaged in any way, such as power-supply cord or plug is damaged, liquid has been spilled or objects have fallen into the apparatus, the apparatus has been exposed to rain or moisture, does not operate normally, or has been dropped.

## WARNING

To reduce the risk of fire or shock hazard, do not expose the TV to rain or moisture.



This symbol is intended to alert the user to the presence of uninsulated “dangerous voltage” within the product’s enclosure that may be of sufficient magnitude to constitute a risk of electric shock to persons.



This symbol is intended to alert the user to the presence of important operating and maintenance (servicing) instructions in the literature accompanying the appliance.

### CAUTION

Danger of explosion if battery is incorrectly replaced.

Replace only with the same or equivalent type.

This device complies with Part 15 of the FCC Rules.

Operation is subject to the following two conditions:

- (1) This device may not cause harmful interference, and
- (2) this device must accept any interference received, including interference that may cause undesired operation.

This equipment must not be co-located or operating in conjunction with any other antenna or transmitter.

### FCC Radiation Exposure Statement:

The available scientific evidence does not show that any health problems are associated with using low power wireless devices. There is no proof, however, that these low power wireless devices are absolutely safe. Low power Wireless devices emit low levels of radio frequency energy (RF) in the microwave range while being used. Whereas high levels of RF can produce health effects (by heating tissue), exposure to low level RF that does not produce heating effects causes no known adverse health effects. Many studies of low level RF exposures have not found any biological effects. Some studies have suggested that some biological effects might occur, but such findings have not been confirmed by additional research. The LF-X11 has been tested and found to comply with the Federal Communications Commission (FCC) guidelines on radio frequency energy (RF) exposures. The maximum SAR levels tested for the LF-X11 has been show to be 2.4GHz 1.42 W/kg, 5.2GHz 0.445 W/kg at Body.

\* This transmitter must not be co-located or operating in conjunction with any other antenna or transmitter.

\* When using the unit with 802.11 a (5.15-5.25GHz), use in doors.

## **NOTIFICATION**

This equipment has been tested and found to comply with the limits for a Class B digital device, pursuant to Part 15 of the FCC Rules. These limits are designed to provide reasonable protection against harmful interference in a residential installation. This equipment generates, uses, and can radiate radio frequency energy and, if not installed and used in accordance with the instructions, may cause harmful interference with radio communications. However, there is no guarantee that interference will not occur in a particular installation. If this equipment does cause harmful interference to radio or television reception, which can be determined by turning the equipment off and on, the user is encouraged to try to correct the interference by one or more of the following measures:

Reorient or relocate the receiving antenna.

Increase the separation between the equipment and receiver.

Connect the equipment into an outlet on a circuit different from that to which the receiver is connected.

Consult the dealer or an experienced radio/TV technician for help.

## **FCC WARNING**

You are cautioned that any changes or modifications not expressly approved in this manual could void your authority to operate this equipment.

## **For customers in the United States**

This product contains mercury. Disposal of this product may be regulated if sold in the United States. For disposal or recycling information, please contact your local authorities or the Electronics Industries Alliance (<http://eiae.org>).

## **Pour les clients résidant aux États-Unis**

Ce produit contient du mercure. L'élimination de ce produit peut être soumise à réglementation s'il est vendu aux États-Unis. Pour obtenir des informations concernant l'élimination ou le recyclage, veuillez contacter les autorités locales ou l'Electronics Industries Alliance (<http://www.eiae.org>).

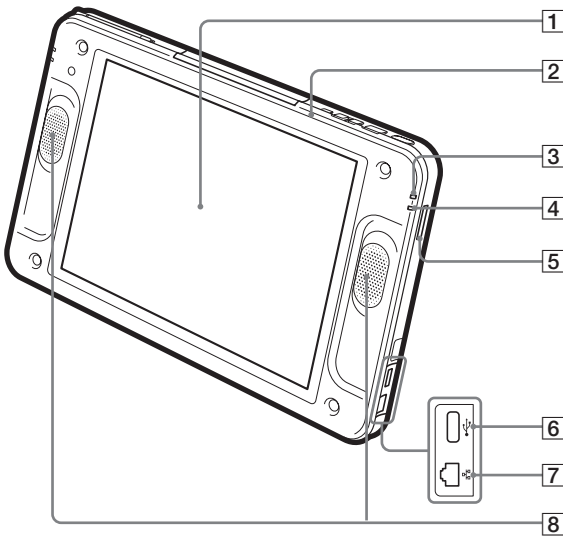
# Table of Contents

Locating the Components .....	6
Checking the Package Contents .....	9
Connecting a Cable or an Antenna .....	10
Connecting Video/Audio Equipment .....	10
Turning On the Power .....	13
Connecting to the Internet .....	15
Configuring Network Settings .....	17
Setting Up for Mail .....	20
Watching TV and Video .....	21
Basic TV/Video Screen .....	22
Viewing Web Pages .....	23
Basic Internet Screen .....	24
Using E-mail .....	25
Basic E-mail Screen .....	25
Viewing Enlarged Images .....	28
Basic Digital Photo Album Screen .....	29
Specifications .....	30

# Locating the Components

## Monitor

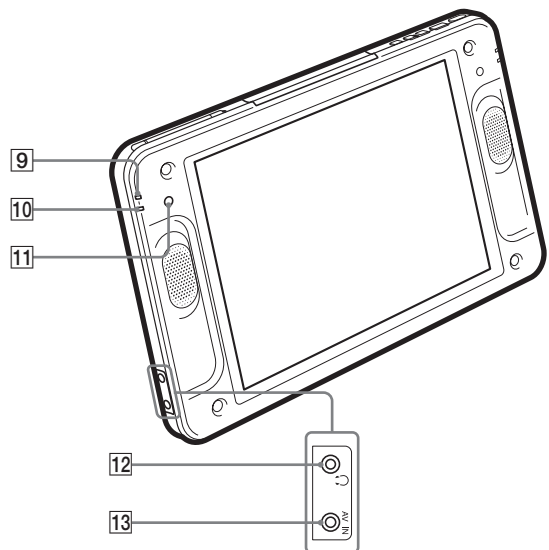
### Right side



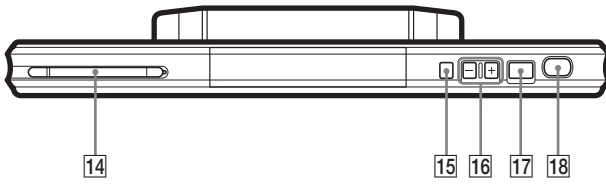
- 1** LCD (Liquid Crystal Display)
- 2** POWER indicator  
Lights green when the power is on.
- 3** WIRELESS indicator  
Indicates the status of wireless communications.  
Lights blue: Communications using the 5 GHz channel are in progress.  
Lights green: Communications using the 2.4 GHz channel are in progress.  
Off: No radio waves are being output.
- 4** “Memory Stick” indicator  
Lights orange while the unit and the inserted “Memory Stick” are communicating.
- 5** “Memory Stick” slot  
Insert a “Memory Stick.”
- 6** USB connector  
Connect a commercially available keyboard.
- 7** LAN connector  
Connect a LAN cable.
- 8** Speakers

### Left side

- 9** Mail Auto Receive indicator  
Lights red when new e-mail is received through periodical e-mail check.
- 10** Charge indicator  
Indicates the status of charging.  
Lights red: Charging the battery is in progress.  
Off: Charging finished.
- 11** Infrared receiver
- 12** Headphones jack (stereo minijack)
- 13** AV IN connector

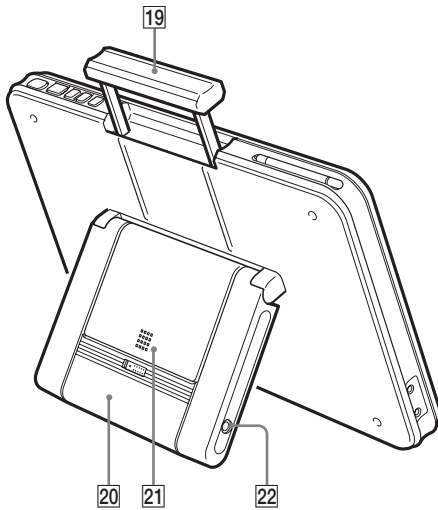


## Top



- 14** Stylus pen compartment
- 15** POWER switch  
Turns on and off the power to the monitor.
- 16** VOLUME +/- buttons  
Adjusts the volume of the speakers.
- 17** CAPTURE button  
Saves the currently displayed screen in an album as a still image.
- 18** INDEX button  
Displays the Index window.

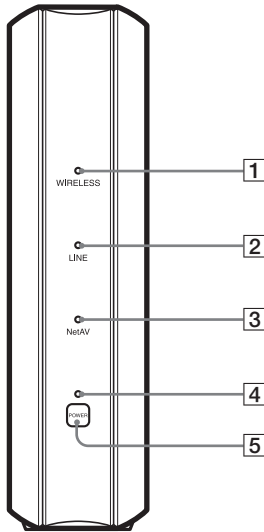
## Rear



- 19** Monitor handle
- 20** Monitor stand
- 21** Battery
- 22** DC IN connector  
Connect the AC power adaptor (supplied) for the monitor.

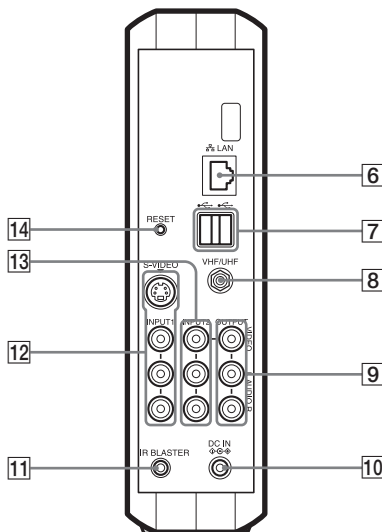
# Base Station

## Front



- 1** WIRELESS indicator  
Indicates the status of wireless communications.  
Lights blue: Communications using the 5 GHz channel are in progress.  
Lights green: Communications using the 2.4 GHz channel are in progress.
- 2** LINE indicator  
Indicates the connection status to an external network such as the Internet.  
Blinks green: Connection is being made.  
Lights green: Connection has been made.  
Off: Connection has not been made.
- 3** NetAV indicator  
Indicates the connection status when connection with the monitor has been made using the NetAV function.  
Lights green: Connection to the NetAV has been made.  
Off: Connection to the NetAV has not been made.
- 4** POWER indicator  
Lights green when the power to the base station is on.
- 5** POWER switch  
Turns on and off the power to the base station.

## Rear



- 6** LAN connector  
Connect a LAN cable.
- 7** USB connector
- 8** VHF/UHF connector  
Connect an antenna connection cable.
- 9** VIDEO LINE OUTPUT (AUDIO/VIDEO) jacks  
Output signals that are input to the video input 2 jack.  
Connect audio and video cables.
- 10** DC IN connector  
Connect the AC power adaptor (supplied) for the base station.
- 11** IR BLASTER connector  
Connect the AV mouse (supplied).
- 12** VIDEO LINE INPUT1 (S-VIDEO/AUDIO/VIDEO) jacks  
Connect S-video and audio cables; or connect audio and video cables.
- 13** VIDEO LINE INPUT2 (AUDIO/VIDEO) jacks  
Connect audio and video cables.
- 14** BASESTATION RESET button  
Returns all settings including line and wireless communications settings on the base station to the factory defaults.



# Checking the Package Contents

After unpacking, check that all the following items have been included:

- Base station (× 1)
- Monitor (× 1)
- Stylus (× 1)
- BP-LX1A battery (× 1)
- AC-LX1B AC power adapter for the base station (× 1)
- AC-LX1M power adaptor for the monitor (× 1)
- Power cord (× 2)
- AV mouse (× 1)
- Base station stand (× 1)

# Connecting a Cable or an Antenna

## Connecting a TV and Cable/Antenna

When you have connected your TV to the CATV cable or antenna, use this hookup. With this hookup, set Cable to OFF in the Auto CH Program window of Settings TV/Video.

- 1 Turn off the power of your TV and remove the antenna or CATV cable from the antenna input of your TV.
  - 2 Plug the OUT connector of the supplied antenna connector into the antenna input of your TV.
  - 3 Plug the antenna or CATV cable removed from your TV in step 1 into the ANT connector of the supplied antenna connector.
  - 4 Plug the output cord of the antenna connector into the VHF/UHF connector of the base station.
- \* If the output cord of the supplied antenna connector is short, use the optional EAC-40 TV antenna connector.

### To connect the base station only to the antenna or CATV cable directly

Use the optional EAC-315 or equivalent antenna cable.

# Connecting Video/Audio Equipment

## Connecting a Cable Box

Use this hookup if you subscribe to a cable TV system that uses scrambled or encoded signals requiring a cable box to view all channels.

- 1 Connect the coaxial connector from your cable service to the IN connector of the cable box.
- 2 Using a coaxial cable, connect the OUT connector of the cable box to the VHF/UHF connector of the base station.

With this hookup, set Cable to ON in the Auto CH Program window of Settings TV/Video.

**Caution**  
To change channels using the cable box, set your Wireless Home Network TV to channel from 1 to 6, depending on the cable box channel output.

## Connecting a VCR and Cable/Antenna

Use this hookup if you have cable TV that does not require a cable box.

- 1 Disconnect all power sources.
- 2 Connect the CATV cable or antenna to the VHF/UHF IN connector of the VCR.
- 3 Using a coaxial cable, connect the VHF/UHF OUT connector of the VCR to the VHF/UHF connector of the base station.

- .....
- 4 Using the audio/video cable, connect the audio and video OUT jacks of the VCR to the VIDEO LINE INPUT AUDIO and VIDEO jacks of the base station.

### Connecting a VCR and Cable Box

Use this hookup if your cable TV company scrambles some channels, but not all of them (pay channels vs. regular cable channels) and you need to use a cable box.

- .....
- 1 Disconnect all power sources.
- .....
- 2 Connect the coaxial connector from your cable service to the VHF/UHF IN connector of the cable box.
- .....
- 3 Using a coaxial cable, connect the VHF/UHF OUT connector of the cable box to the VHF/ UHF IN connector of the VCR.
- .....
- 4 Using a coaxial cable, connect the VHF/UHF OUT connector of the VCR to the VHF/UHF connector of the base station.
- .....
- 5 Using the audio/video cable, connect the audio and video OUT jacks of the VCR to the VIDEO LINE INPUT AUDIO and VIDEO jacks of the base station.

### Connecting a Satellite Receiver

- .....
- 1 Disconnect all power sources.

- .....
- 2 Connect the satellite antenna cable to the SATELLITE IN connector of the satellite receiver.

- .....
- 3 Using the audio/video cable, connect the audio and video OUT jacks of the satellite receiver to the VIDEO LINE INPUT AUDIO and VIDEO jacks of the base station.

- .....
- 4 Connect a coaxial cable from your cable or antenna to the VHF/UHF connector of the base station.

### Connecting a Satellite Receiver and a VCR

- .....
- 1 Disconnect all power sources.
- .....
- 2 Connect the satellite antenna cable to the SATELLITE IN connector of the satellite receiver.
- .....
- 3 Connect the CATV cable to the VHF/UHF IN connector of the VCR.
- .....
- 4 Using a coaxial cable, connect the OUT connector of the VCR to the VHF/UHF connector of the base station.
- .....
- 5 Using the audio/video cable, connect the audio and video OUT jacks of the satellite receiver to the audio/video IN jacks of the VCR.

- .....
- 6 Using the audio/video cable, connect the audio/video OUT jacks of the VCR to the VIDEO LINE INPUT AUDIO and VIDEO jacks of the base station.

## Connecting a Satellite Receiver and a DVD Player

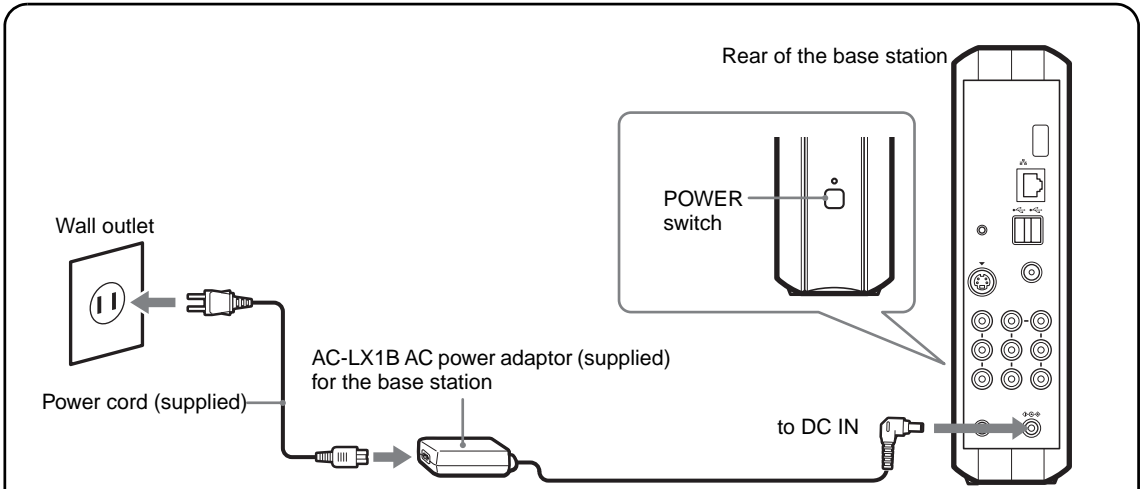
- .....
- 1 Disconnect all power sources.
- .....
- 2 Connect the satellite antenna cable to the SATELLITE IN connector of the satellite receiver.
- .....
- 3 Using a coaxial cable, connect the VHF/UHF OUT connector of the satellite receiver to the VHF/UHF connector of the base station. Set the RF OUT selector of the satellite receiver to 3 CH or 4 CH.
- .....
- 4 Using the audio/video cable, connect the audio and video OUT jacks of the DVD player to the VIDEO LINE INPUT AUDIO and VIDEO jacks of the base station.
- .....

# Turning On the Power

## Connecting the Power Cord

Connect the power cord after finishing all other connections.

### Connecting the power cord to the base station

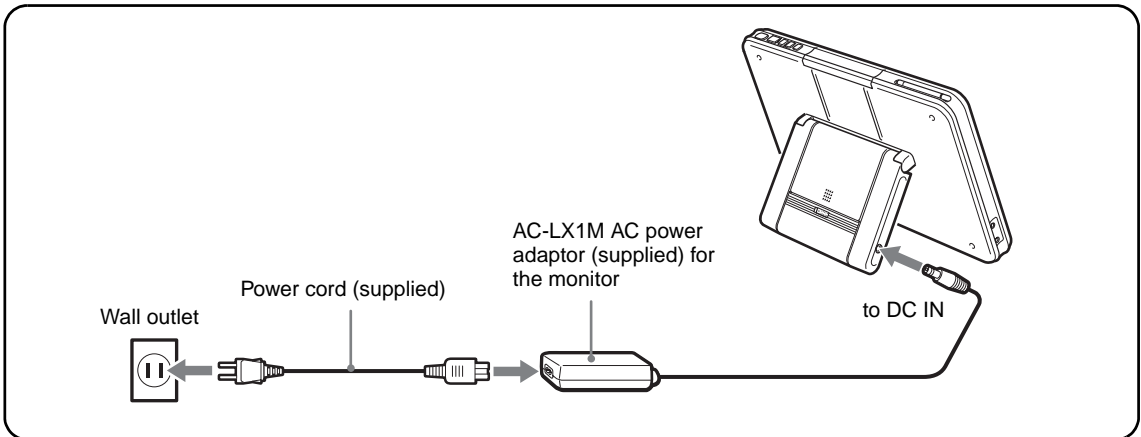


Connect the supplied AC power adaptor for the base station to the DC IN connector on the base station, and plug the supplied power cord into a wall outlet.

**Caution**

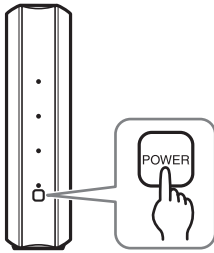
- Be sure to use the supplied AC-LX1B AC power adaptor for the base station. You cannot substitute with the AC-LX1M AC power adaptor for the monitor.
- Do not bundle the AC power adaptor cord and the antenna connection cable together. Neglecting this can induce noise on television images if strong broadcasting signals cannot be received in your area.

### Connecting the power cord to the monitor

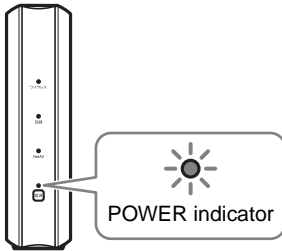


## Turning On the Power

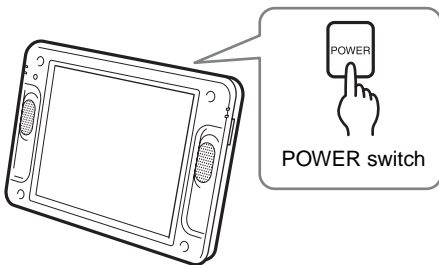
- 1 Press **POWER** on the front of the base station to turn on the base station.



The **POWER** indicator on the front of the base station lights green.



- 2 Press **POWER** on the top of the monitor to turn on the monitor.

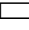


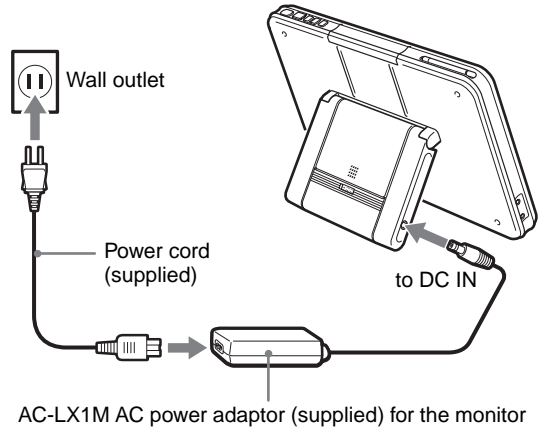
The **POWER** indicator on the top of the monitor lights green and the monitor shows pictures.

To turn off the power, press **POWER** again.

## Charging the Monitor Battery

To charge the monitor battery, connect the supplied AC power adaptor for the monitor to the monitor. You can use the monitor even while it is being charged.

During charging, the  (charge) indicator on the left panel of the monitor lights red. The indicator goes off when charging is finished.



## Battery charging time

Charging method	Monitor power On	Monitor power Off
Use the AC power adaptor for the monitor	About 2.5 hours	About 2 hours

## Battery duration

Approximate battery life using a fully charged battery (supplied) is:

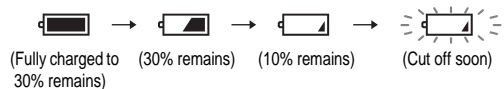
4 hours with the minimum screen brightness selected;

3 hours with the medium screen brightness selected; and

100 minutes with the maximum screen brightness selected.

A warning message appears 1 to 15 minutes before the battery is exhausted.

The battery indicator appears on the top of the screen.



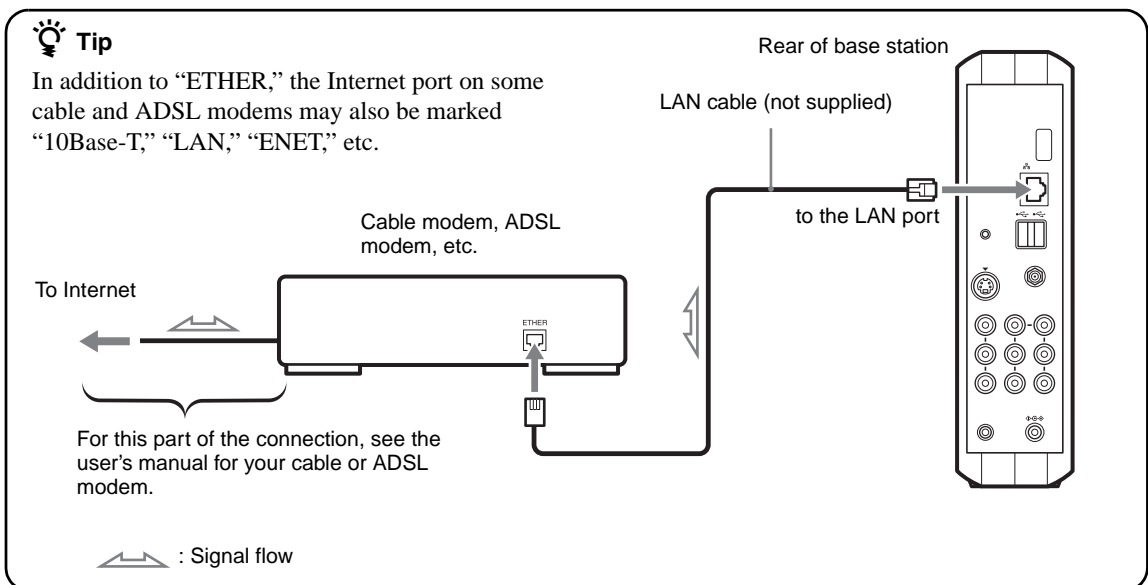
# Connecting to the Internet

This section offers examples and explanations of several common methods for connecting to the Internet. Because the best connection method for you will depend on the Internet service provider and connection devices you use, check with your Internet service provider or network administrator for more information.

## Connecting by LAN cable

Using a LAN cable (not supplied), connect the LAN port on the unit to your cable modem, ADSL modem, or dial-up router.

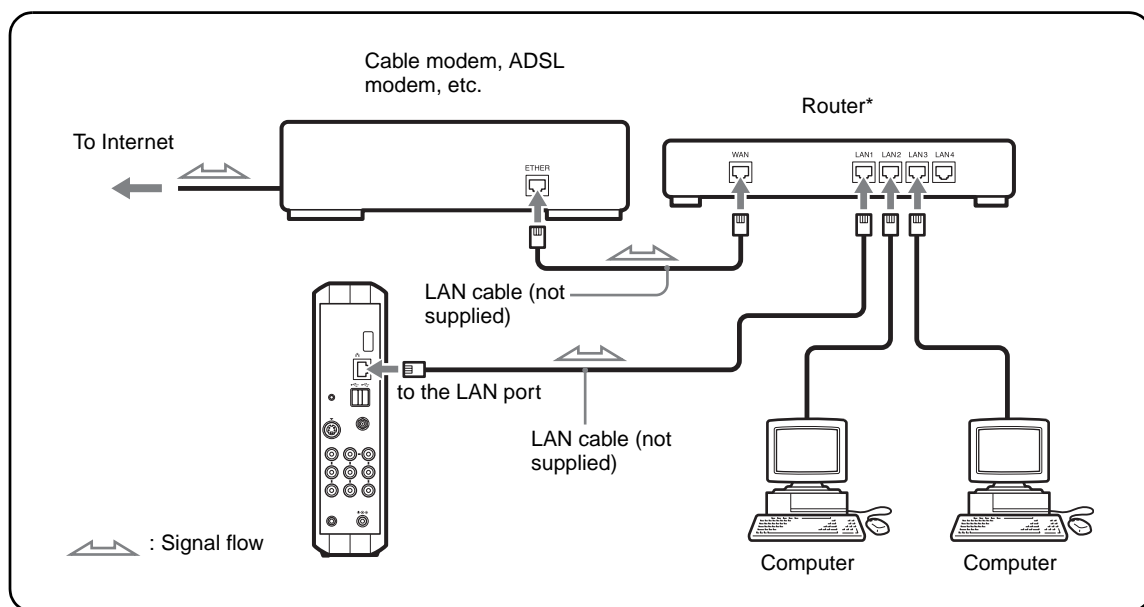
Connect to the Ethernet port in the wall if you live in an Internet-ready residential complex.



### Caution

- LAN cables come in two kinds: straight-wired and cross-wired. The type of cable you should use depends on what kind of cable modem or ADSL modem you have. See the user's manual for your modem for more information.
- For details on setting up the connection, cross-refer to the user's manual for your cable modem or ADSL modem. If you are unclear on some point regarding your modem, contact your cable television company, ADSL network administrator, or Internet service provider.

## Connecting several devices to a modem with a router



### Caution

- Depending on your Internet service contract, you may not be able to connect multiple devices, such as several computers and an Airboard. Check with your cable television company, ADSL network administrator, or Internet service provider.
- To determine what kind of LAN cable to use, see the user's manual for your router, cable modem, or ADSL modem.
- For details on setting up the connection, cross-refer to the user's manual for your router, cable modem, or ADSL modem.

## Configuring router settings

- If the user's manual for your router directs you to use a web browser (Internet Explorer or Netscape Navigator) to access the router's settings screen, input the router's IP address in the Airboard's Internet address field to display the settings screen. See page 23 for more on how to input to the address field. You must also configure network settings for the Airboard. See page 17 for more on how to configure network settings.
- For more information on configuring router settings, refer to the user's manual for your device.
- The settings for some routers cannot be configured from the Airboard's Internet screen.

### \* What is a router?

A router is a piece of equipment that relays signals between networks. Using a router allows several devices to share one Internet connection. See page 17 for more on how to configure router settings.



# Configuring Network Settings

Configure your network settings according to the documents provided by your Internet service provider.

## Before configuring network settings

Check that:

- The base station power is turned on.
- The base station and monitor have established a wireless connection.
- The LAN cable is connected to the base station, when connecting by LAN.
- The telephone cord is connected to the base station, when connecting by analog phone line (USB-PSTN modem adapter UNA-PSTN: not supplied).

## Connecting via LAN (DHCP)

With this type of Internet connection a DHCP server automatically assigns the “IP Address,” “Subnet mask,” and “Default gateway.” Depending on the DHCP server, “DNS” may also be automatically assigned.

### Tip

Follow the steps below to connect to the Internet when using a router as well.

- .....
- 1** Press the [Index] button on the upper part of the monitor.  
The index screen appears.

- .....
- 2** Select [Internet] from the index screen.  
The Internet connection is established when the Airboard web page, which is set as the default homepage, appears.

**If the default homepage is not displayed and a connection error message appears saying the Airboard is unable to connect to the Internet server,**

go on to step 3 and verify the automatic connection (DHCP) settings.

- .....
- 3** Press [Settings] on the lower right of the screen.  
The [Settings] window appears.

- .....
- 4** Press [Internet connection].  
The [Internet connection] window appears.

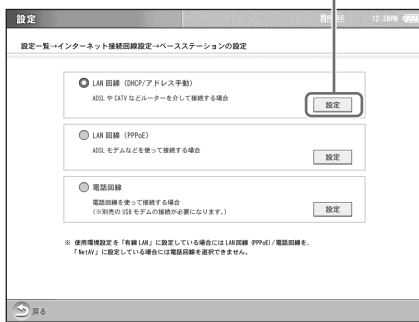
- .....
- 5** Press [Base station].  
The [Base station] window appears.

### **Caution**

[Base station] cannot be selected if the operating environment is such that the monitor and base station cannot establish a wireless connection.

- Select [Settings] to the right of [LAN (DHCP/Manual IP address setting)].

LAN (DHCP/Manual IP address setting)



The [LAN (DHCP/Manual IP address setting)] window appears. Verify that values have been assigned for the IP address, etc.

- Press [OK].

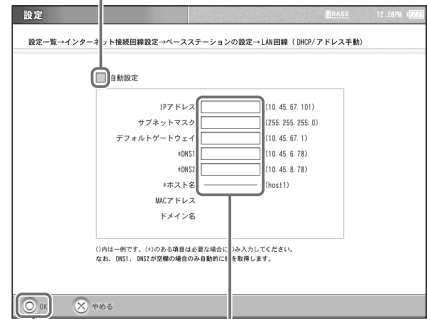
## Connecting via LAN (manually assigning an address)

- Perform steps 3 through 6 of “Connecting via LAN (DHCP)” on page 17 to display the [Base station] window.

- Select [Settings] to the right of [LAN (DHCP/Manual IP address setting)].

- Refer to the documents provided by your Internet service provider to input the proper values for “IP Address,” “Subnet mask,” “Default gateway,” “DNS 1,” “DNS 2,” and “Host name,” and then press [OK].

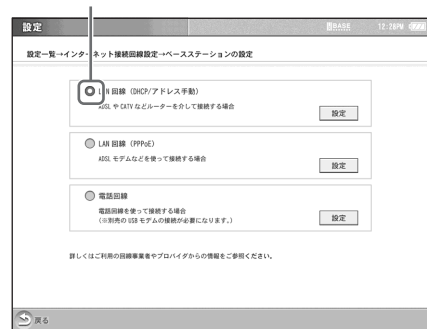
Remove this check mark.



OK Input while referring to documents from your provider.

- Select [LAN (DHCP/Manual IP address setting)].

LAN (DHCP/Manual IP address setting)



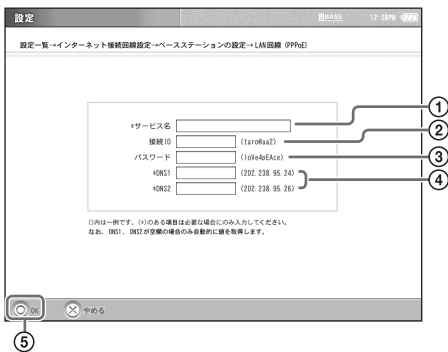
- Press [OK]. This sets the “LAN (DHCP/Manual IP address setting).”

- Press [Back].

- Press [Settings] and then [End].

## Connecting via LAN (PPPoE)

- 1 Press [Settings] on the lower right of the screen.  
If the [Settings] window is not displayed on the lower right of the screen, touch the screen lightly and it will appear.
- 2 Press [Internet connection].
- 3 Press [Base station].
- 4 Press [Settings] to the right of [LAN (PPPoE)].
- 5 Input each item while referring to the documents provided by your Internet service provider, and then press [OK].



- ① Input your service provider's name.
- ② Input your connection ID.
- ③ Input your password for connecting to the Internet.
- ④ Input values for DNS1 and DNS2.
- ⑤ Press [OK].

- 6 Press [LAN (PPPoE)].

### LAN (PPPoE)



- 7 Press [OK].  
This sets the "LAN (PPPoE)".
- 8 Press [Back].
- 9 Press [Settings] and then [End].

# Setting Up for Mail

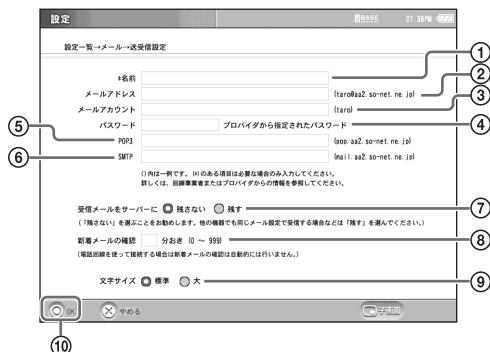
You cannot send and receive mail (e-mail) unless you program the unit with information about your Internet Service Provider (ISP). Program the necessary information according to the document supplied by the provider.

**1** Press [Settings] at the bottom right of the screen.  
If [Settings] is not shown, touch anywhere on the screen to make it appear.

**2** Press [e-mail].

**3** Press [Send/Receive].

**4** Enter into the individual fields, then press [OK].



- ① Enter a name.
- ② Enter a mail address.
- ③ Enter the mail account.
- ④ Enter the mail password specified by the provider.
- ⑤ Enter the POP3 server.
- ⑥ Enter the SMTP server.
- ⑦ Specify whether to leave received mail in the server.  
Normally, set so that received mails are not left in the server.

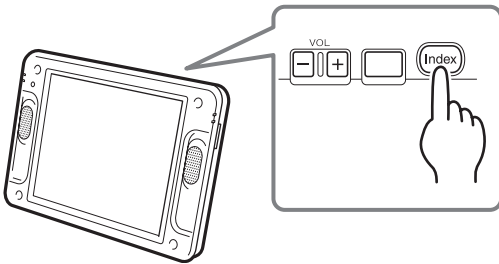
- ⑧ Specify the interval for checking if there is new mail, in the range from 0 to 999 minutes.
- ⑨ Select the size of characters for mail text on the screen.
- ⑩ Press [OK].

**5** Press [Settings], then press [End].

# Watching TV and Video

Open the Index window, then select a desired channel.

To adjust the volume, press VOL +/- on the top of the monitor.



## 💡 Tips

- You can turn on the monitor by pressing POWER on the remote control. You may directly press channel number buttons or [CH +/-] on the remote control to turn on the monitor and select a channel.
- Pressing [VOL -] on the monitor for 2 seconds silences the sound quickly.

## To select a channel from the TV channel list

Touch anywhere on the screen to display the TV channel list, then select a desired channel.

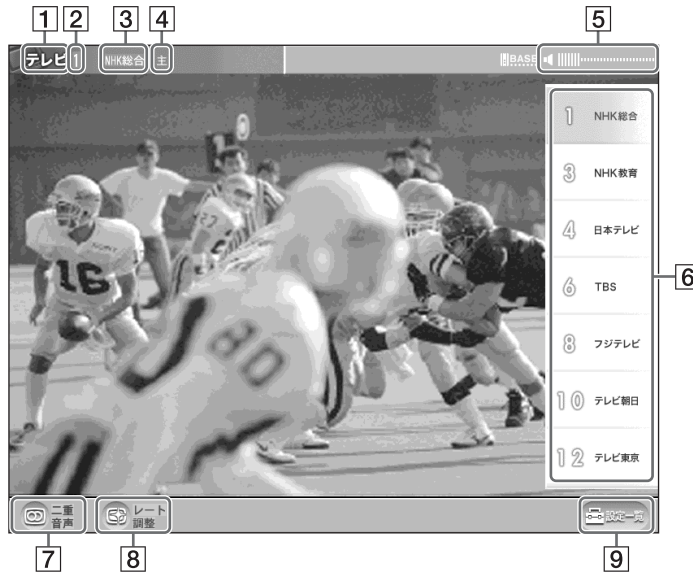
The TV channel list disappears automatically 5 seconds after the screen is operated.

TV channel list



# Basic TV/Video Screen

## Parts and controls on the TV/Video screen



- 1** TV/video mode indication
- 2** TV channel number
- 3** TV station name
- 4** Multi-language mode indication  
When a multi-language program is tuned in, [Main], [Sub], or [Main/Sub] is displayed. When a stereo program is tuned in, [Stereo] is displayed.
- 5** Mute/volume level indication
- 6** TV channel list  
This appears when you touch anywhere on the screen showing a TV program and allows you to select a channel. The list disappears automatically 5 seconds after the screen is operated.
- 7** Multi-language mode button  
Switches among the multi-language modes when a multi-language program is tuned in.
- 8** Rate adjustment button  
Optimizes picture quality according to the ambient radio wave conditions.
- 9** [Settings]  
Displays the [Settings] window for various setups. Selecting [TV/Video] in the [Settings] window allows you to adjust the quality of picture and sound or manually set up channels, for example.

## About guide bar display

When a TV or video mode is selected, the guide bars appear for 5 seconds then disappear. Touching anywhere on the screen displays the top and bottom guide bars and a TV channel list.

### Caution

This monitor does not support non-interlace signals used for monitors such as personal computer screens.

# Viewing Web Pages

This section explains how to open the Internet window and display web pages. Let us assume that you will access the Sony's web site whose URL is <http://www.sony.com/>.

- .....
- 1 Open the [Index] window, then press [WWW].  
The Internet window appears.

- .....
- 2 Press a new tab, then press the URL entry field.

New tab      URL entry field




- .....
- 3 Using the keyboard, enter <http://www.sony.com/>, then press [End].

アドレス: <http://>

# Basic Internet Screen

## Parts and Controls on the Internet Screen



- 1** Internet icon  
Moves when a web page is being downloaded.
- 2** Internet indication
- 3** URL entry field  
The URL of a currently opened web page is displayed. To open another web page, press a new tab, then enter a URL.
- 4**  (SSL) icon  
Appears when a web page handling SSL (Secure Socket Layer) is currently opened.
- 5** [Favorites]  
Displays the Favorites list panel for registering the address of the currently opened web page. It also displays the list of registered URLs.
- 6** [History]  
Displays the list of web pages that you have opened before.
- 7** [Save]  
Saves the currently opened web page. You can open saved web pages without accessing to the Internet.
- 8** [Close Tab]  
Closes the page of the currently displayed tab and the tab becomes blank again.
- 9** Tab  
If you select a link that opens using another window, the linked web page is opened under a new tab. Six tabs are available in total. Just after an Internet connection, all tabs other than the leftmost one are blank.



## Using E-mail

You can compose, send, and receive e-mail by switching to the e-mail screen.

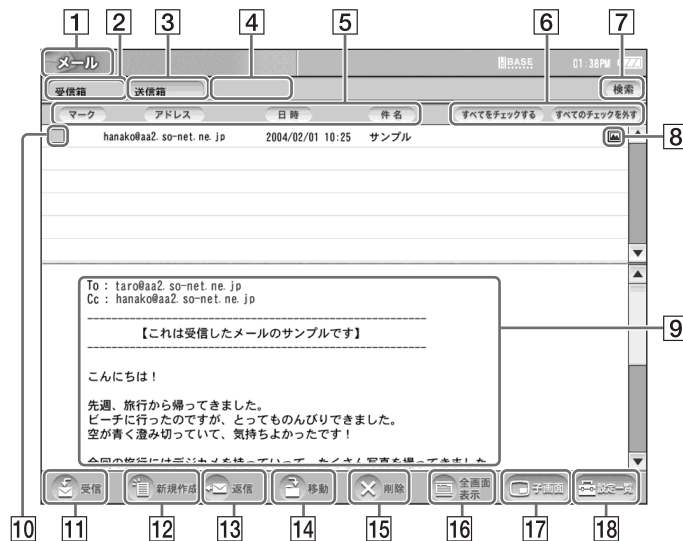
Select e-mail.



The e-mail screen appears.

## Basic E-mail Screen

### Inbox/Outbox screen



**1** E-mail display

**2** Inbox tab

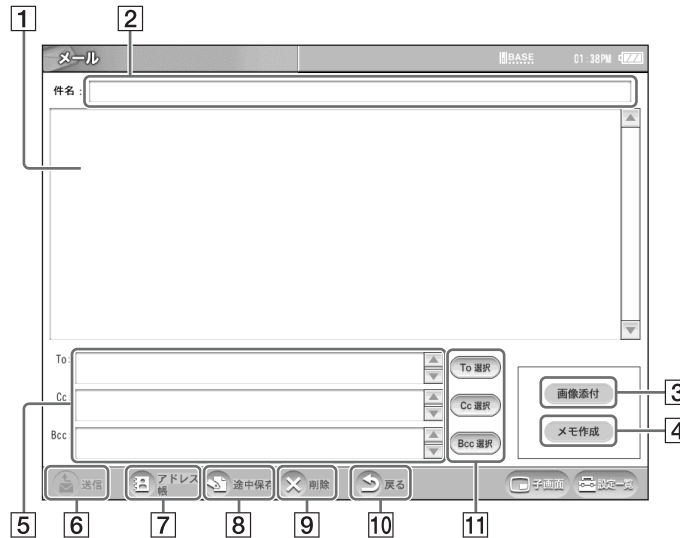
Displays a list of incoming e-mail (i.e., e-mail that was sent to you).  
A preview of e-mail content for the selected list is continually displayed in the lower frame.

**3** Outbox tab

Displays a list of sent e-mail and saved drafts of unsent e-mail.  
A preview of e-mail content for the selected list is continually displayed in the lower frame.

- 4** Filing cabinet tab  
Appears when a “Memory Stick” is inserted. Allows you to arrange the e-mail you have sent and received.
- 5** Sort button  
Allows you to sort your e-mail by each attribute: address, date and time, or subject. With each touch of the sort button, e-mail is sorted in ascending or descending order.
- 6** Check all/Uncheck all  
[Check all] places a check mark next to all e-mails in the displayed tab, and [Uncheck all] removes all check marks.
- 7** Search  
Allows you to search for a designated tab by keyword.
- 8** Attached image icon  
Appears when an image file is attached to an e-mail. When a non-image file is attached, the paper clip icon appears.
- 9** Preview display  
Displays highlighted e-mail contents in the inbox, outbox, and filing cabinet tabs.
- 10** Check box  
A check mark is placed in or removed from this box each time it is pressed.
- 11** Receive  
Checks for new incoming e-mail.
- 12** Compose New  
Creates a new blank e-mail.
- 13** Reply (Resend, Edit)  
Depending on the content of the e-mail displayed in the preview, [Reply], [Resend], and/or [Edit] will be displayed.  
Reply: Displays a screen for replying to e-mail.  
Resend: Displays an editing screen for resending sent e-mail.  
Edit: Displays a screen for editing e-mail content.
- 14** Move (move checked e-mail)  
Moves checked e-mail messages to a designated location, such as the filing cabinet.
- 15** Delete (delete checked e-mail)  
Deletes checked e-mail messages and any files attached to them.
- 16** Full-screen display  
Displays the main e-mail text at full-screen size.
- 17** Sub-screen  
Displays television or video in a sub screen.
- 18** Settings  
Displays the [Settings] window used to change settings.  
Selecting [E-mail] on the [Settings] window allows you to change on-screen font size and other settings.

## E-mail composition screen



- |  |  |
|--|--|
| <p><b>1</b> Main text field<br/>The main e-mail text is input here.</p> <p><b>2</b> Subject<br/>The title of the e-mail is input here.</p> <p><b>3</b> Image attachment<br/>This attaches an image to the e-mail.</p> <p><b>4</b> Create memo<br/>This attaches a hand-written picture or note to the e-mail.</p> <p><b>5</b> Address field<br/>The e-mail address of the addressee is input here.</p> <p><b>6</b> Send<br/>Immediately sends the composed e-mail message.</p> | <p><b>7</b> Address book<br/>Displays the address book.</p> <p><b>8</b> Save draft<br/>Saves the e-mail currently being composed to the outbox.</p> <p><b>9</b> Delete<br/>Deletes the displayed e-mail.</p> <p><b>10</b> Back<br/>Cancels e-mail composition and returns to the inbox or outbox. (Saves a draft of e-mail that was in mid composition or that failed to send.)</p> <p><b>11</b> Select To, Select Cc, Select Bcc<br/>Displays the address book so you can select an address for these fields.</p> |
|--|--|

# Viewing Enlarged Images

- 1 Directly press the image you want to enlarge.

Press an image (do not press the )



An enlarged view of the image appears.

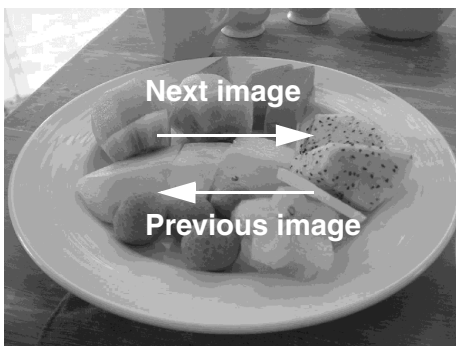
## Caution

It may take several tens of seconds to enlarge some images. During this interval you cannot perform other operations.

## Tip

You can also enlarge an image by pressing it, pressing [Details], and then pressing [Enlarged display] on the [Image Details] screen that appears. Lightly pressing the enlarged image, in this case, returns you to the [Image Details] screen.

Gliding your finger from left to right over the screen will display the next image, and gliding it from right to left will display the previous



- 2 To quit the enlarged view, lightly press the image.  
This returns you to the [Image list] screen.

## Tip

You can also return to the [Image list] screen by pressing INDEX on the monitor.

# Basic Digital Photo Album Screen



- 1** Digital photo album display
- 2** Storage cabinet tab  
Displays a list of images saved on the Airboard or a “Memory Stick”.
- 3** Filing cabinet tab  
Appears when a “Memory Stick” is inserted. Allows you to arrange the images you have saved.
- 4** Check all/Uncheck all  
[Check all] places a check mark next to all e-mails in the displayed tab, and [Uncheck all] removes all check marks.
- 5** Image  
Pressing an image directly will display an enlarged view. For movies, a direct press begins playback.
- 6** Sort button  
Images can be sorted by name or date and time of modification. With each press of the sort button, images are sorted in ascending or descending order.
- 7** Check box  
A check mark is placed in or removed from this box each time it is selected.
- 8** Slideshow  
Automatically displays in succession all images in the digital photo album or all selected images.
- 9** Drawing  
Allows you to draw pictures and write text by hand.
- 10** Send  
Attaches the selected images to e-mail.
- 11** Details  
Allows you to change the selected images’ names, switch to enlarged display (or movie display), and rotate images. Also displays image attributes, such as file size, date and time of creation, and date and time of modification.
- 12** Copy  
Copies the selected images to the Airboard or a “Memory Stick”.
- 13** Delete  
Deletes the selected images.
- 14** Settings  
Displays the [Settings] window used to change settings. Selecting [Digital Photo Album] on the [Settings] window allows you to change the filing cabinet name and other settings.

# Specifications

## System

Television system	NTSC
Channel coverage	VHF: 2 - 13, UHF: 14 - 69, CATV: 1 - 125
Tuning system	PLL synthesizer
Screen size	12.1 inches 24.9 × 18.7 cm (9 <sup>7</sup> / <sub>8</sub> × 7 <sup>3</sup> / <sub>8</sub> inches), 31.1 cm (12 <sup>1</sup> / <sub>4</sub> inches) (w/h, diagonal)
Display	Transparent TN LCD panel
Drive system	TFT Active matrix drive system
Effective picture element ratio	99.99 %s
Effective picture elements	Horizontal: 800 dots Vertical: 600 lines
Speaker	4 × 2.8 cm (1 <sup>5</sup> / <sub>8</sub> × 1 <sup>1</sup> / <sub>8</sub> inches) oval (2)
Audio output	0.6 W × 2, 8 ohms

## Web browser

HTML	HTML 4.01, XHTML Basic 1.0 Frame, JavaScript, SSL (V2/3), TLS 1.0, JavaApplet (PJAЕ 1.2)
Image file	GIF, JPEG, PNG
Flash	Ver. 6

## E-mail

Transmit protocol	SMTP
Receive protocol	POP3

## Album

Album file	GIF, JPEG, PNG, BMP, MPG (MPEG1 movie)
------------	---

## Inputs/outputs

### Base station

VHF/UHF 75-ohm connector

### VIDEO LINE INPUT1

S-video: 4-pin mini DIN

Y: 1 Vp-p, 75 ohms unbalanced,  
sync negative

C: 0.286 Vp-p (burst), 75 ohms

Video: Phono jack, 1 Vp-p, 75 ohms  
unbalanced, sync negative

Audio: Phono jack, 2-channel,  
500 mVrms,

Impedance: 47 kohms

### VIDEO LINE INPUT2

Video: Phono jack, 1 Vp-p, 75 ohms  
unbalanced, sync negative

Audio: Phono jack, 2-channel,  
500 mVrms,

Impedance: 47 kohms

### VIDEO LINE OUTPUT

Video: Phono jack, 1 Vp-p, 75 ohms  
unbalanced, sync negative

Audio: Phono jack, 2-channel,  
500 mVrms,

Impedance: less than 5 kohms

DC IN 12 V DC

ETHERNET 10BASE-T/100BASE-T  
connector (1)

IR BLASTER Minijack (1)

USB USB 1.1 (2)

## Monitor

DC IN 16 V DC

Headphones Stereo minijack  
Impedance: 16 ohms or more

USB USB 1.1 (1)

ETHERNET 10BASE-T/100BASE-T  
connector (1)

AV IN Minijack (1)

## AC power adaptor

### AC-LX1B (for the base station)

Power requirements	100 V - 240 V AC, 50/60 Hz
Rated output	DC OUT: 12 V DC, 3 A
Operating temperature	32 to 95 °F (0 to 35 °C)
Storage temperature	14 to 140 °F (-10 to +60 °C)
Dimensions	Approx. 99.5 × 42.5 × 25.5 mm (4 × 1 <sup>11</sup> / <sub>16</sub> × 1 <sup>1</sup> / <sub>16</sub> inches) (w/h/d, not including projecting parts)
Mass	200 g (7 oz)

### AC-LX1M (for the monitor)

Power requirements	100 V - 240 V AC, 50/60 Hz
Rated output	DC OUT: 16 V DC, 3.75 A
Operating temperature	32 to 95 °F (0 to 35 °C)
Storage temperature	14 to 140 °F (-10 to +60 °C)
Dimensions	Approx. 125 × 30 × 60 mm (5 × 1 <sup>3</sup> / <sub>16</sub> × 2 <sup>3</sup> / <sub>8</sub> inches) (w/h/d, not including projecting parts)
Mass	300 g (11 oz)

## Battery BP-LX1A

Rated voltage	10.8 V DC
Capacity	4,400 mAh
Type	Lithium ion battery
Dimensions	Approx. 123.6 × 88.0 × 20.5 mm (4 <sup>7</sup> / <sub>8</sub> × 3 <sup>1</sup> / <sub>2</sub> × <sup>13</sup> / <sub>16</sub> inches) (w/h/d)
Mass	310 g (11 oz)
Operating temperature	32 to 95 °F (0 to 35 °C)
Storage temperature	14 to 95 °F (-10 to +35 °C)

## General

### Power consumption

Base Station: Approx. 12 W (watching TV)  
Approx. 0.6 W (power off, using AC power adaptor)

Monitor: Approx. 50 W  
(watching TV, using AC power adaptor)  
Approx. 24 W  
(watching TV, using battery)  
Approx. 39 W  
(power off, charging battery)

### Operating temperature

32 to 95 °F (0 to 35 °C)

### Storage temperature

14 to 113 °F (-10 to +45 °C)

### Dimensions

Base Station: 4.6 × 18.2 × 12.8 cm  
(1 <sup>3</sup>/<sub>4</sub> × 7 <sup>1</sup>/<sub>8</sub> × 5 <sup>1</sup>/<sub>8</sub> inches)  
(w/h/d, not including projecting parts)

Monitor: 34.1 × 23.8 × 3.1 cm  
(13 <sup>3</sup>/<sub>8</sub> × 9 <sup>1</sup>/<sub>2</sub> × 1 <sup>1</sup>/<sub>4</sub> inches)  
(w/h/d, not including projecting parts)

### Mass

Base Station: Approx. 440 g (1 lbs 3 oz)

Monitor: Approx. 2.2 kg (5 lbs 5 oz),  
including the battery

### Communication range

Indoors: approx. 30 m (98 feet)  
(depending on the environments)

Standards IEEE802.11 a/b/g

### Frequency range

2.4 GHz, 5 GHz

### Modulation

Direct Sequence Spread Spectrum (DSSS)  
Orthogonal Frequency Division Multiplexing (OFDM)

### Power requirements

AC power adaptor: 100-240 V  
AC, 50/60 Hz  
Battery: 4,400 mAh

Battery duration Approx. 4 hours  
(with the minimum screen  
brightness)  
Approx. 3 hours  
(with the medium screen  
brightness)  
Approx. 100 minutes  
(with the maximum screen  
brightness)

Battery charging time  
Approx. 2.5 hours  
(monitor power on)  
Approx. 2 hours  
(monitor power off)

Supplied accessories  
BP-LX1A battery (× 1)  
Stylus (× 1)  
AC-LX1B AC power adapter  
for the base station (× 1)  
AC-LX1M AC power adaptor  
for the monitor (× 1)  
Power cord (× 2)  
AV mouse (× 1)  
Base station stand (× 1)



