

▶Hard

▶Soft

▶Other

[→ 目次一覧](#)

## 詳細操作ガイド

本機を使っていて困ったときやわからないことがあったときに使うマニュアルです。  
左の目次から知りたい項目をクリックして選んでください。

[▲ ページトップへ](#)

[▶Hard](#)[▶Soft](#)[▶Other](#)[→ 目次一覧](#)

## Hard

### Power

- [Turning On Your Tablet Device](#)
- [Shutting Down Your Tablet Device](#)
- [Notes on Using the AC Adapter](#)

### Battery

- [Charging the Battery](#)
- [Notes on Using the Battery](#)

### Screen

- [Tablet Device Basic Operation](#)
- [Notes on the Touch Screen](#)
- [Notes on LCD Screen](#)
- [Handling the LCD Screen](#)

### Wi-Fi

- [Starting Wi-Fi Communications](#)
- [Notes on Using the Wi-Fi Function](#)

### Bluetooth

- [About the Bluetooth Function](#)
- [Communicating with Another Bluetooth Device](#)
- [Stopping Bluetooth Communications](#)
- [Notes on Using the Bluetooth Function](#)
- [About Bluetooth Security](#)

### MemoryCard

- [Inserting/Removing an SD Memory Card](#)
- [Notes on Using SD Memory Cards](#)

### Cradle

- [Setting Tablet Device in and Removing from Cradle](#)

### Parts\_Controls

- [Parts and Controls \(Tablet Device\)](#)
- [Parts & Controls \(Cradle\)](#)

### Model

- [Check the Supplied Items](#)
- [Handling Your Tablet Device](#)
- [Notes on Using Your Tablet Device](#)
- [Notes on Holding Your Tablet Device](#)

▶Hard

▶Soft

▶Other

[→ 目次一覧](#)

## Soft

### Home

[About the Home Screen](#)

[Customizing the Home Screen](#)

### General

[Notifications and Buttons](#)

[About the Notification Panel](#)

[Rotating the Screen](#)

[Quick search](#)

[Locking the Screen](#)

[Displaying the Recent Applications](#)

[Checking and Exiting the Running Applications](#)

[Entering Text](#)

[Using the Keyboard](#)

[Cut and Paste Text](#)

[Preinstall Software and Support Center](#)

### Settings

[About the Settings Menu](#)

[Before Use](#)

### Sony\_Apps

[Introduction to Sony Exclusive Applications](#)

[▲ ページトップへ](#)

▶Hard

▶Soft

▶Other

[→ 目次一覧](#)

Other

Misc

[Trademarks](#)

[Specifications](#)

[▲ ページトップへ](#)

[Hard](#)[Soft](#)[Other](#)[→ 目次一覧](#)

## 目次一覧

### Hard

#### Power

[Turning On Your Tablet Device](#)[Shutting Down Your Tablet Device](#)[Notes on Using the AC Adapter](#)

#### Battery

[Charging the Battery](#)[Notes on Using the Battery](#)

#### Screen

[Tablet Device Basic Operation](#)[Notes on the Touch Screen](#)[Notes on LCD Screen](#)[Handling the LCD Screen](#)

#### Wi-Fi

[Starting Wi-Fi Communications](#)[Notes on Using the Wi-Fi Function](#)

#### Bluetooth

[About the Bluetooth Function](#)[Communicating with Another Bluetooth Device](#)[Stopping Bluetooth Communications](#)[Notes on Using the Bluetooth Function](#)[About Bluetooth Security](#)

#### MemoryCard

[Inserting/Removing an SD Memory Card](#)[Notes on Using SD Memory Cards](#)

#### Cradle

[Setting Tablet Device in and Removing from Cradle](#)

#### Parts\_Controls

[Parts and Controls \(Tablet Device\)](#)[Parts & Controls \(Cradle\)](#)

#### Model

[Check the Supplied Items](#)[Handling Your Tablet Device](#)[Notes on Using Your Tablet Device](#)[Notes on Holding Your Tablet Device](#)[Soft](#)

## Home

[About the Home Screen](#)

[Customizing the Home Screen](#)

## General

[Notifications and Buttons](#)

[About the Notification Panel](#)

[Rotating the Screen](#)

[Quick search](#)

[Locking the Screen](#)

[Displaying the Recent Applications](#)

[Checking and Exiting the Running Applications](#)

[Entering Text](#)

[Using the Keyboard](#)

[Cut and Paste Text](#)

[Preinstall Software and Support Center](#)

## Settings

[About the Settings Menu](#)

[Before Use](#)

## Sony\_Apps

[Introduction to Sony Exclusive Applications](#)

[▲ ページトップへ](#)

## Other

### Misc

[Trademarks](#)

[Specifications](#)

[▲ ページトップへ](#)

[▶Hard](#)[▶Soft](#)[▶Other](#)[→ 目次一覧](#)

Task

## Turning On Your Tablet Device

---

If you turn on your tablet device for the first time, see “Before Use” [Details].

**Note**

Before turning on, see “Notes on Using the Power Source” [Details].

1. Press and hold the power button until the status indicator light turns on (green).  
Your tablet device will turn on, and the Google Android operating system will subsequently launch.

**Hint**

If the tablet device is not used for a certain amount of time, it will automatically enter Power saving mode. In power saving mode, the LCD screen is turned off and the status indicator light slowly blinks orange.

By default, your tablet device automatically enters Sleep mode after a certain period of inactivity while running on AC power [Details].

If you hold down the power button for more than 4 seconds, your tablet device will not turn on. Press the power button lightly, and release it immediately to turn on the tablet device.

[▲ ページトップへ](#)

[▶Hard](#)[▶Soft](#)[▶Other](#)[→ 目次一覧](#)[トップ](#) > [Hard](#) > [Power](#) > [Shutting Down Your Tablet Device](#)

task

## Shutting Down Your Tablet Device

---

**Note**

Before shutting down your tablet device, see “Notes on Using the AC Adapter” [Details].

1. Press and hold the power button until a list appears.
2. Touch [Power off] - [Yes].

The tablet device will automatically turn off in a few seconds, and the status indicator light (green) will turn off.

**Note**

To avoid losing unsaved data or causing your tablet device to malfunction, be sure to shut down your tablet device properly as described above.

After shutting down your tablet device, wait at least 30 seconds before turning it on again.

To disconnect your tablet device from an AC power source, turn off the tablet device and unplug the power cord.

[▲ ページトップへ](#)



## Reference

## Notes on Using the AC Adapter

---

If you do not intend to use your tablet device for an extended period of time, place the tablet device into Hibernate mode, or turn it off.

### Notes on AC adapter

Use the AC adapter supplied with your tablet device or a genuine Sony AC adapter. Do not use any other AC adapter as it may cause malfunctions. Do not connect the AC adapter to a power conversion device such as a travel power converter. Doing so may cause overheating or a malfunction. If the AC adapter cable becomes damaged or broken, do not use it. Use the AC adapter supplied with your tablet device when using a Sony cradle (sold separately).

### Notes on turning on

Because your tablet device contains magnetic components, keep magnetic storage media such as magnetic cards away from it as magnetic components may cause data corruption. Magnetic fields near your tablet device may cause it to enter Sleep mode (at default setting). Keep magnetic objects away from your tablet device.

[▲ ページトップへ](#)

▶Hard

▶Soft

▶Other

[→ 目次一覧](#)

▶Hard

▶Soft

▶Other

[→ 目次一覧](#)[トップ](#) > [Hard](#) > [Battery](#) > [Charging the Battery](#)

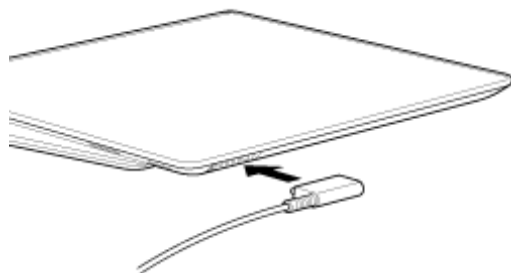
task

## Charging the Battery

---

The battery is charged when your tablet device is plugged in, regardless of whether it is turned on or not. The charging time will vary depending on your usage.

1. Connect the AC adaptor to the charge connector of your tablet device.



2. Plug the AC adaptor to an AC outlet.

**Hint**

If you use a dedicated cradle (sold separately), you can charge the battery easily [Details].

[▲ ページトップへ](#)

[▶Hard](#)[▶Soft](#)[▶Other](#)[→ 目次一覧](#)[トップ](#) > [Hard](#) > [Battery](#) > [Notes on Using the Battery](#)

Reference

## Notes on Using the Battery

---

### About the battery

For your safety, use only the supplied power cord for battery charging. For safety reasons, battery charging may be suspended at exceptionally high or low temperatures. The tablet device is not fully charged when shipped. Heat builds up in the battery while it is in use or being charged. This is normal and is not cause for concern.

### About battery discharge

After charging, the battery gradually loses its charge even if it is not used. If it is left unused for a long time, the battery charge may be depleted. We recommend recharging the battery before use.

### About battery life

Battery life varies depending on usage, settings, and temperatures.

### About battery deterioration

The battery eventually will need replacement. Its capacity gradually declines through repeated recharging and discharging. As a result, the battery life may become short or the battery may not perform optimally even when fully charged.

### When using the Power saving mode

If the battery runs out of power during Sleep mode, all data not saved before entering Sleep mode will be lost and unable to be restored. Be sure to save all data before entering Sleep mode. In Hibernate mode, all data and status (window position, size, etc.) are written to the hard disk drive or SSD, so no data is lost should the battery run out. If you do not intend to plug your tablet device in, use Hibernate mode.

### When the battery is beginning to run down

If the battery runs out of power while you are away, the tablet device will turn off and any data you are working on will be lost. While running on battery power, save data frequently and put the tablet device in Hibernate mode manually if necessary.

[▲ ページトップへ](#)

▶Hard

▶Soft

▶Other

[→ 目次一覧](#)

Concept

## Tablet Device Basic Operation

---

Touch

Selects or opens an icon or option.

Touch & hold

Opens an option menu.

Drag & drop

Moves an item.

Drag/Flick

Scrolls a page slowly/quickly.

Pinch/Double tap

Zooms in or out.

[▲ ページトップへ](#)

Reference

## Notes on the Touch Screen

---

Touch the touch screen with your fingertip. Do not scratch it or touch with sharp tools such as a stylus, a pen, or nails.

Remove the screen protection film before using your tablet device.

Do not touch the touch screen with gloved fingers.

Do not operate your tablet device with objects on the touch screen.

Do not put the touch screen close to other electrical devices. Electrostatic discharges can make the touch screen malfunction.

Do not put the touch screen close to water. The touch screen may malfunction in humid conditions or when exposed to water.

[▲ ページトップへ](#)

[→ 目次一覧](#)

[▶Hard](#)[▶Soft](#)[▶Other](#)[→ 目次一覧](#)

## Reference

### Notes on LCD Screen

---

Do not leave the LCD screen facing the sun. Be sure to block direct sunlight when using your tablet device near a window.

Do not scratch the surface of the LCD screen or exert excessive pressure on it. Using your tablet device in low temperature conditions may produce a residual image on the LCD screen. This does not indicate a malfunction. The screen will return to normal when the tablet device returns to normal temperature.

A residual image may appear on the LCD screen if the same image is displayed for an extended period of time. The residual image will eventually disappear. You can use a screen saver to prevent residual images.

The LCD screen becomes warm during operation. This is normal and does not indicate a malfunction.

The LCD screen is manufactured using high-precision technology. You may, however, see tiny black points and/or bright points (red, blue, or green) on the LCD screen. This is a normal result of the manufacturing process and does not indicate a malfunction.

Do not exert excessive pressure on the LCD screen lid with the lid closed as doing so may scratch or dirty the LCD screen.

Do not use the device if the screen is cracked or broken.

[▲ ページトップへ](#)

Reference

## Handling the LCD Screen

---

Use a soft, dry cloth to wipe the surface of the LCD screen. Rubbing the surface may damage the screen.  
Do not use chemicals or detergents.

[▲ ページトップへ](#)

▶Hard

▶Soft

▶Other

[→ 目次一覧](#)

[▶Hard](#)[▶Soft](#)[▶Other](#)[→ 目次一覧](#)

Task

## Starting Wi-Fi Communications

---

You first need to establish Wi-Fi communications between your tablet device and an access point. Make sure an access point is set up. See the operating instructions supplied with your access point for more information.

After setting up the Wi-Fi communications, follow the steps below to turn on the Wi-Fi setting on your tablet device.

1. Touch **@(Apps)** - [**@ Settings**] - [**Wireless & networks**] - [**Wi-Fi**].

**Note**

To save the battery consumption, turn off the Wi-Fi power when not in use.

### To stop Wi-Fi communications

1. Operate step 1 above again to turn off the Wi-Fi setting on your tablet device.

### To find networks in your range

1. Touch **@(Apps)** - [**@ Settings**] - [**Wireless & networks**] - [**Wi-Fi Settings**].
2. Touch [**Wi-Fi**] to turn on and scan for networks. If [**Wi-Fi Settings**] is already on, touch [**Menu @**] - [**Scan**].

The list of the networks found within your range is displayed.

**Hint**

To check the MAC address of your tablet device or other Wi-Fi details, touch [**Menu @**] - [**Advanced**].

3. Touch a desired network.
4. When needed, enter [**Network SSID**], [**Security**], and [**Wireless password**].

**Hint**

When you are in range and [**Wi-Fi**] is on, your tablet device will automatically reconnect to available networks which have been connected before.

[▲ ページトップへ](#)



[▶Hard](#)[▶Soft](#)[▶Other](#)[→ 目次一覧](#)[トップ](#) > [Hard](#) > [Wi-Fi](#) > [Notes on Using the Wi-Fi Function](#)

Reference

## Notes on Using the Wi-Fi Function

---

Use of Wi-Fi products may be restricted by local regulations in some countries or regions.

Wi-Fi devices work on the 2.4 GHz band, which is used by a variety of devices. Wi-Fi devices use technology to minimize radio interference from other devices that use the same band. However, radio interference may still cause slower data transfer speeds, reduce communications range or cause communications failure.

If both the Bluetooth function and the 2.4 GHz Wi-Fi function of your tablet device are enabled, interference may occur and cause slower data transfer speeds or other problems.

To communicate via Wi-Fi while traveling, you may need to contract with a Wi-Fi connection service provider.

If your tablet device uses IEEE 802.11b/g/n, note that outdoor use of the 5 GHz Wi-Fi function is prohibited by law.

Data transfer speed and communications range may vary depending on the following conditions:

- Distance between devices

- Presence of obstacles between devices

- Device configuration

- Signal conditions

- Surrounding environment (wall material, etc.)

- Software in use

Communications may be cut off depending on signal conditions.

The data transfer rate specified in the specification is the theoretical maximum, and may not reflect actual data transfer rate.

Actual data transfer speed may not be as fast as the speed displayed on your tablet device.

Communications is not available between the 2.4 GHz and 5 GHz Wi-Fi frequency bands.

The data transfer rate for IEEE 802.11g and IEEE 802.11n (2.4 GHz) devices may be affected by interference when used with IEEE 802.11b products. Also, products using IEEE 802.11g and IEEE 802.11n automatically lower the transfer rate to maintain compatibility with IEEE 802.11b products. The normal transfer rate may be regained by changing the channel settings of your access point.

When the data transfer speed is not as fast as expected, changing the wireless channel on the access point may increase the speed.

[▲ ページトップへ](#)

## Concept

### About the Bluetooth Function

---

You can establish wireless communications between your tablet device and other Bluetooth(R) devices such as a computer, a mobile phone, digital still camera, headset or mouse.

You can transfer data between these devices without cables at a range of up to 33 feet / 10 meters in an open area. One Bluetooth device can connect with up to 7 devices via wireless network to exchange data.

When a device requires connection to another device, it sends out an inquiry to neighboring Bluetooth devices. If any device responds to the inquiry, the two devices can connect with each other.

[▲ ページトップへ](#)

▶Hard

▶Soft

▶Other

[→ 目次一覧](#)



▶Hard

▶Soft

▶Other

[→ 目次一覧](#)[トップ](#) > [Hard](#) > [Bluetooth](#) > [Communicating with Another Bluetooth Device](#)

Task

## Communicating with Another Bluetooth Device

---

You can connect Bluetooth devices to your tablet device. Depending on the device, the procedure to establish connection may vary. Refer to the operating instructions of the Bluetooth device together. For details on Bluetooth communication, see “About the Bluetooth Function” [Details].

### To turn on the Bluetooth feature

1. Touch @(Apps) - [@ Settings] - [Wireless & networks] - [Bluetooth].

**Note**

To save the battery consumption, turn off the Bluetooth power when not in use. The Bluetooth Enhanced Audio setting is not recommended for older Bluetooth headsets as it may not deliver acceptable sound quality.

### To make your tablet device discoverable

You can allow a Bluetooth device to discover your tablet device when the Bluetooth is turned on.

1. Touch @(Apps) - [@ Settings] - [Wireless & networks] - [Bluetooth settings].
2. Touch [Discoverable],

### To pair with another Bluetooth device

To connect with a new Bluetooth device, you need to pair with it when the Bluetooth is turned on.

You only need to do this once for your tablet device and the new Bluetooth device-to connect again, just turn on the device.

1. Make sure the Bluetooth device you are pairing with is in discoverable mode.

**Note**

Refer to the operating instructions supplied with the Bluetooth devices for details.

2. Touch @(Apps) - [@ Settings] - [Wireless & networks] - [Bluetooth settings].
3. Touch [Find nearby devices].  
The Paired devices list is displayed.
4. Touch a device to connect.
5. Touch [Pair], or enter the device passkey (like 0000) to connect to the Bluetooth device, if necessary.  
When the device is connected, the Bluetooth indicator appears in the status panel.

### To reconnect devices

To reconnect your tablet device with the paired device, touch the device name in the Paired devices list.

[▲ ページトップへ](#)

▶Hard

▶Soft

▶Other

[→ 目次一覧](#)

[トップ](#) > [Hard](#) > [Bluetooth](#) > [Stopping Bluetooth Communications](#)

Task

## Stopping Bluetooth Communications

---

1. Touch the name of a paired device from in the devices list, that you want to disconnect your tablet device.
2. Touch [Menu @] - [Disconnect].

Hint

To save the battery consumption, turn off the Bluetooth power when not in use.

[▲ ページトップへ](#)

[▶Hard](#)[▶Soft](#)[▶Other](#)[→ 目次一覧](#)[トップ](#) > [Hard](#) > [Bluetooth](#) > [Notes on Using the Bluetooth Function](#)

Reference

## Notes on Using the Bluetooth Function

---

Use of Bluetooth function may be restricted by local regulations in some countries or regions.

The Bluetooth function may not work with some devices, depending on the manufacturer or the software version employed by the manufacturer. Check the system requirements of the Bluetooth device before purchasing.

For information on Bluetooth devices supported by Sony tablet devices, visit the support web site.

Some Bluetooth devices require authentication (pairing) before establishing a connection with another device.

Perform the authentication process before connecting to such a device.

Bluetooth devices use technology to minimize radio interference from other devices that use the same band. However, radio interference may still cause slower data transfer speeds, reduce communications range or cause communications failure.

Data transfer speed and communications range may vary depending on the following conditions:

- Distance between communicating devices

- Presence of obstacles between devices

- Surrounding environment that includes presence of walls and materials of such walls

- Device configuration

- Software in use

- Signal conditions

Communications may be cut off depending on signal conditions.

Interference may occur if your tablet device is equipped with Bluetooth Core Specification Version 2.1 + EDR and both the Bluetooth function and the 2.4 GHz Wi-Fi function are enabled. That will result in slower data transfer speeds or other problems.

High-speed communications between your tablet device and Bluetooth devices is available when they are compliant with Bluetooth Core Specification Version 3.0 + HS. For high-speed communications, enable both the Wi-Fi and Bluetooth functions on your tablet device.

Large files may occasionally be corrupted during continuous transfer due to limitations of the Bluetooth standard and ambient electromagnetic interference.

Connecting multiple Bluetooth devices to your tablet device may cause channel congestion, resulting in poor device performance. This is normal with Bluetooth technology and does not indicate a malfunction.

Video and audio may not be synchronized if you play videos on your tablet device with audio output from a connected Bluetooth device. This is a frequent occurrence with Bluetooth technology and does not indicate a malfunction.

All Bluetooth devices must be certified through procedures stipulated by Bluetooth SIG to ensure that they comply with the Bluetooth standard.

Even if the Bluetooth standard is complied with, individual device performance, specifications, and operation procedures can vary.

Using your tablet device or accessory while driving may cause distraction and may be illegal. Always obey the laws and drive safely.

[▲ ページトップへ](#)

Reference

## About Bluetooth Security

---

Bluetooth wireless technology has an authentication function that allows you to determine with whom you choose to communicate.

With the authentication function, you can prevent any anonymous Bluetooth devices from accessing your tablet device.

The first time two Bluetooth devices communicate, a common passkey (a password required for authentication) should be determined for both devices to be registered. Once a device is registered, there is no need to re-enter the passkey.

Your tablet device can prevent other Bluetooth devices from finding it and control which devices are allowed to connect with it.

[▲ ページトップへ](#)

[→ 目次一覧](#)

▶Hard

▶Soft

▶Other

[→ 目次一覧](#)[トップ](#) > [Hard](#) > [MemoryCard](#) > [Inserting/Removing an SD Memory Card](#)

Task

## Inserting/Removing an SD Memory Card

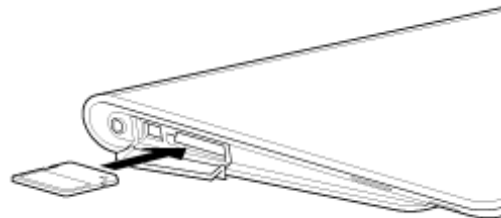
Your tablet device is equipped with an SD memory card slot. You can use this slot to transfer data to and from digital cameras, camcorders, music players, and other audio/video devices.

The SD memory card slot on your tablet device can accommodate the following memory cards:

- SD memory card
- SDHC memory card
- SDXC memory card

### To insert an SD memory card

1. Open the cover of the card slot.
2. Locate the SD memory card slot.
3. Hold the SD memory card with the arrow pointing toward the SD memory card slot.



4. Carefully slide the SD memory card into the slot until it clicks into place.

The SD memory card icon will appear in a window on your tablet device after you insert the card into the slot.

#### Note

Be careful not to insert an SD memory card at the wrong orientation. If you force it into the slot upside down, the slot may be damaged. For details, refer to the manual of the SD memory card.

#### Hint

When you insert the SD memory card into the slot for the first time, you may be prompted to install driver software. If prompted, follow the on-screen instructions to install the software.

The SD memory card access indicator light will be lit while the SD memory card is being read or written to.

### To remove an SD memory card

1. Locate the SD memory card slot.
2. Make sure the SD memory card access indicator light is not lit.
3. Push in the SD memory card all the way and release.

The SD memory card ejects.

4. Pull the SD memory card out of the slot.

[▲ ページトップへ](#)

[▶Hard](#)[▶Soft](#)[▶Other](#)[→ 目次一覧](#)[トップ](#) > [Hard](#) > [MemoryCard](#) > [Notes on Using SD Memory Cards](#)

Reference

## Notes on Using SD Memory Cards

---

Keep away from children. SD memory cards are harmful if swallowed.

Do not touch the contacts with fingers or metal objects.

SD memory cards contain delicate electronic components. Do not subject them to excessive force, bend or drop them.

Do not disassemble or modify.

Avoid moisture.

Do not use or store in the following locations:

- Places with high temperature, such as inside an enclosed car in the sunshine

- Places exposed to direct sunlight

- Humid or corrosive environments

- Excessively dusty places

Be sure to use SD memory cards that are compliant with the standards supported by your tablet device. A wrong-size card may become jammed in the slot, causing damage to your tablet device.

You cannot write data to an SD memory card that is write-protected.

It is recommended that you make a backup copy of important data.

To avoid losing stored data, observe the following:

- Do not remove an SD memory card or turn off your tablet device while the Media Access indicator light is lit.

- Keep SD memory cards away from static electricity or electrical noise that may interfere with the card.

When carrying SD memory cards, be sure to put them in their case to avoid static electricity damage.

Before using an SD memory card with a device other than a tablet device, such as a digital camera or a portable audio, format (initialize) the SD memory card using the device.

Some devices may not support the file format for tablet devices and show you a message that recommends you to format the card. In this case, copy data from the card to your tablet device (or to other devices via the network) and format the card using the device. Note that formatting a card will delete all current data contained in it. For more details, refer to the manual of the device.

Do not insert foreign objects into the SD memory card slot.

The SD memory card slot can be used for reading/writing supported cards only, and it cannot be used for other purposes.

### Notes on SD memory cards

SD memory cards (up to 2 GB), SDHC memory cards (up to 32 GB) and SDXC memory cards (up to 64 GB) available as of May 2010 have been tested and found compatible with your tablet device. However, this does not guarantee that all SD memory cards, SDHC memory cards or SDXC memory cards will be compatible with your tablet device.

[▲ ページトップへ](#)



▶Hard

▶Soft

▶Other

[→ 目次一覧](#)[トップ](#) > [Hard](#) > [Cradle](#) > [Setting Tablet Device in and Removing from Cradle](#)

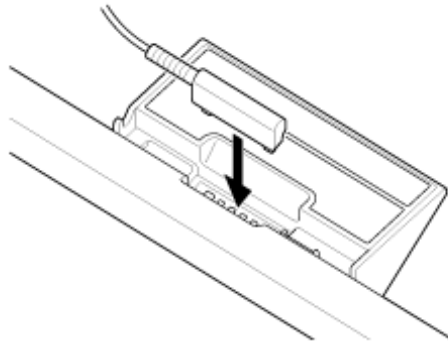
Task

## Setting Tablet Device in and Removing from Cradle

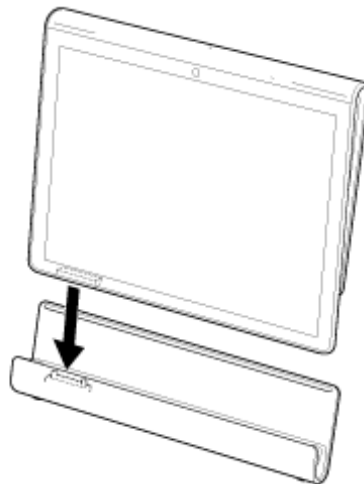
Using a cradle (sold separately) lets you charge your tablet device easily or hold it at an easy-to-read angle.

### Setting your tablet device in a cradle

1. Plug the AC adaptor in to the power cord connector at the bottom of a cradle.



2. Plug the AC adaptor in to the AC outlet.
3. Align the charge connector of your tablet device with that inside the upper slot of the cradle.
4. Place the tablet device in the upper slot of the cradle.



### Removing your tablet device from a cradle

Lift your tablet device up in a straight line.

[▲ ページトップへ](#)

▶Hard

▶Soft

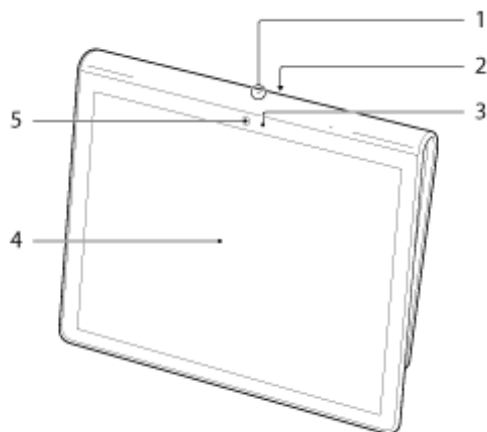
▶Other

[→ 目次一覧](#)[トップ](#) > [Hard](#) > [Parts\\_Controls](#) > [Parts and Controls \(Tablet Device\)](#)

Reference

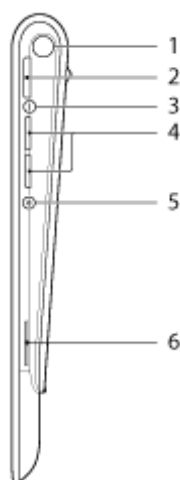
## Parts and Controls (Tablet Device)

### Front



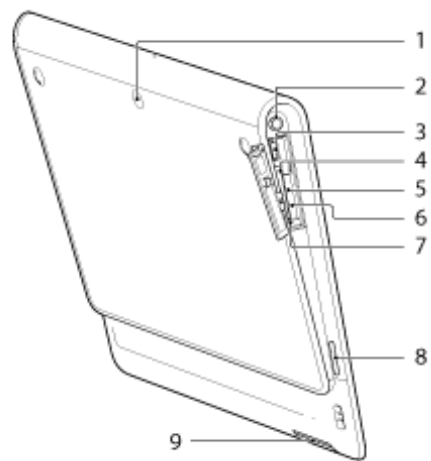
1. Microphone
2. IR sensor
3. Ambient light sensor
4. Touch screen
5. Front camera lens

### Side



1. Status indicator
2. @ (Power) button
3. Charge indicator
4. VOL + / - (Volume) buttons
5. Reset button hole
6. Built-in speaker (R)

### Rear



1. Rear camera lens
2. @ (Headphone) jack
3. Micro USB connector
4. SD memory card slot
5. SIM card slot
6. SIM card eject hole
7. SD memory card access indicator
8. Built-in speaker (L)
9. Charge connector

▶Hard

▶Soft

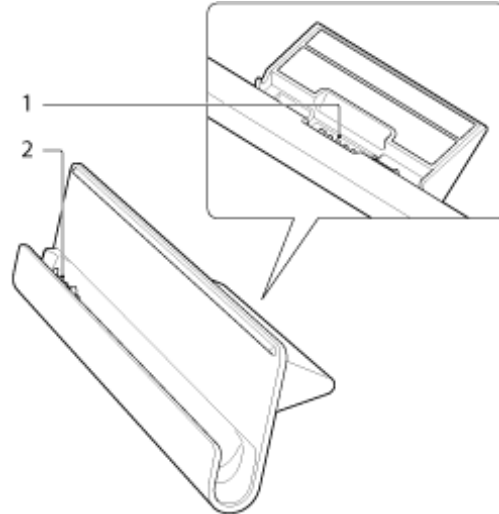
▶Other

[→ 目次一覧](#)

Reference

## Parts & Controls (Cradle)

---



1. Power cord connector
2. Charge connector (inside the upper slot)

[▲ ページトップへ](#)

▶Hard

▶Soft

▶Other

[→ 目次一覧](#)

Reference

## Check the Supplied Items

---

AC adaptor  
Strap  
Quick Start Guide  
Safety Regulations  
SLA/EULA (TBD)  
Warranty card

[▲ ページトップへ](#)

[▶Hard](#)[▶Soft](#)[▶Other](#)[→ 目次一覧](#)

Reference

## Handling Your Tablet Device

---

To care for your tablet device, follow as below.

### Tablet device

Clean the cabinet with a soft, dry or lightly moistened cloth with a mild detergent solution. Do not use an abrasive pad, scouring powder, or solvent such as alcohol or benzine, as these may damage the finish of your tablet device.

If your tablet device is exposed to water such as rain or extreme humidity, wipe your tablet device with a soft dry cloth, not dry with an oven or dryer.

Make sure you unplug the AC adapter and remove the battery pack before cleaning your tablet device.

Make sure you close the battery and any connector covers and keep them secure.

### LCD screen

Use a soft, dry cloth to wipe the surface of the LCD screen. Rubbing the surface could damage the screen.

Do not use chemicals or detergents.

### Built-in camera

Clean the lens protection cover of the built-in camera with a blower brush or a soft brush. If the cover is extremely dirty, wipe it off with a soft dry cloth. Do not rub the cover, as it is sensitive to pressure.

[▲ ページトップへ](#)

Reference

## Notes on Using Your Tablet Device

---

If you need more information about your tablet device, see ----URL----.

[▲ ページトップへ](#)

---

Copyright Sony Corporation

▶Hard

▶Soft

▶Other

[→ 目次一覧](#)

Reference

## Notes on Holding Your Tablet Device

---

In case of landscape orientation, hold your tablet device as such that the front camera lens is arranged at the upper side.

In case of portrait orientation, hold your tablet device as such that the front camera lens is arranged at the left side. Be careful not to hold an ambient light sensor.

[▲ ページトップへ](#)

▶Hard

▶Soft

▶Other

[→ 目次一覧](#)

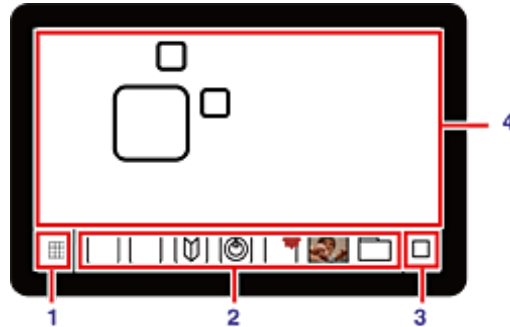


[Hard](#)[Soft](#)[Other](#)[→ 目次一覧](#)

## Reference

## About the Home Screen

You can start various applications from the Home screen.  
To start an application, touch the application icon.  
You can also customize the Home screen as you like.



1. Application launcher icon  
Touch to display the Application launcher. You can start all applications from the Application launcher.  
Also, you can sort the icons on the Application launcher in some methods.  
Flick up/down on the Application launcher to see more application/widget icons.
2. Quick launcher  
Touch the application icon you want to start immediately. This is convenient for the frequently using applications.
3. Summary view icon  
Touch to display the Summary view. In the Summary view, thumbnails of recently arriving content such as videos, photos, music, books, games are displayed. When you touch the thumbnail, the detailed information is displayed and you can start playback easily.
4. Work space  
You can place application/widget icons and such here. Also, you can display the Summary view and the Application launcher, by touching each icons at the right top of the screen.  
The Work space consists of the five pages and you can scroll them when you flick the screen left/right.

[▲ ページトップへ](#)

▶Hard

▶Soft

▶Other

[→ 目次一覧](#)

Task

## Customizing the Home Screen

---

### Application launcher

To uninstall an application from the Application launcher

1. On the Application launcher, touch and hold the application icon that you want to uninstall.
2. Follow the instructions displayed on the screen.

To sort icons on the Application launcher

1. On the Application launcher, touch one of the following icons at the right top of the screen.
  - @(Custom) : Sort by the rule you have customized.
  - @(Name) : Sort by name.
  - @(Date) : Sort by date of update.

To customize the rule of sort

1. On the Application launcher, touch @(Custom) and then @(Edit) at the right top of the screen.
2. Drag and drop the icons as you desired.

Hint

To classify the icons on the Application launcher, drag and drop @(|) at the right top of the screen to begin a new line in step 2.

### Quick launcher

To add an icon to the Quick launcher

1. xxxx

To remove an icon from the Quick launcher

1. On the Quick launcher, touch and hold the icon and select xxx from the displayed menu.

### Summary view

To edit items on the Summary view

1. On the Summary view, touch @(Edit) at the right top of the screen.
  - To add an item, touch it from the displayed item list.
  - To move an item, drag and drop the thumbnail to the desired location.
  - To disappear an item, touch x on the thumbnail.

### Work space

To add an icon to the Work space

1. On the Work space, touch + at the right top of the screen.
  - The screen for adding an icon is displayed.
2. Touch the arrow under the screen you want to add an icon.
3. Touch the tab and then the icon that you want to add.

To remove an icon from the Work space

1. On the Work space, touch and hold the icon and select [xxx] from the displayed menu.

▶Hard

▶Soft

▶Other

[→ 目次一覧](#)

## Reference

### Notifications and Buttons

---

Notifications and buttons for basic operations appear at the bottom of the screen.

@(Home) : Touch to display the Home screen.

@(Back) : Touch to return to the previous screen.

@(Recent Apps) : Touch to display recent applications [Details].

Digital clock : Touch to display the notification panel [Details].

[▲ ページトップへ](#)

## Reference

### About the Notification Panel

---

illust. (notification panel)

Notification panel is displayed when you touch the digital clock on the right bottom of the screen. Touch the icon on the notification panel or the panel itself to check the status or messages. On the notification panel, you can also change the settings of your tablet device.

[▲ ページトップへ](#)

▶Hard

▶Soft

▶Other

[→ 目次一覧](#)

▶Hard

▶Soft

▶Other

[→ 目次一覧](#)

## Reference

### Rotating the Screen

---

The screen rotates when you turn your tablet device sideways.

#### Note

Some applications may not support to rotate the screen.

The screen can be rotated to portrait so that the front camera lens side comes to left only.

#### Not to rotate the screen

1. Touch @(Apps) - [ @ Settings ] - [Screen] - [Auto-rotate screen].

[▲ ページトップへ](#)

▶Hard

▶Soft

▶Other

[→ 目次一覧](#)


Task


## Quick search

---

Quick search box appears on the left top of the Home screen.



To search by texts, touch the box and enter keywords, and then touch .

To search by voice, touch  and speak keywords after prompt.

[▲ ページトップへ](#)

[▶Hard](#)[▶Soft](#)[▶Other](#)[→ 目次一覧](#)

Task

## Locking the Screen

---

You can lock the screen of your tablet device in some ways to prevent from the accidental touch. If you activate the lock function, the screen is locked when you left the screen for a while or press the power button.

### ■ To activate the lock function

1. Touch @(Apps) - [ @ Settings ] - [ Location & security ] - [ Configure lock screen ].

### ■ To select the unlock method

You can select unlock method to be returned from the locked screen.

1. Touch @(Apps) - [ @ Settings ] - [ Location & security ] - [ Change lock screen ].
2. Select the method to unlock the screen.
  - Pattern lock : Draw a pattern.
  - PIN : Enter a PIN code.
  - Set password : Enter a password.
3. Follow the displayed instructions.

[▲ ページトップへ](#)



▶Hard

▶Soft

▶Other

[→ 目次一覧](#)

[トップ](#) > [Soft](#) > [General](#) > [Displaying the Recent Applications](#)

Task

## Displaying the Recent Applications

---

Touch @(Recent Apps) on the bottom left of the screen.

[▲ ページトップへ](#)

▶Hard

▶Soft

▶Other

[→ 目次一覧](#)

[トップ](#) > [Soft](#) > [General](#) > [Checking and Exiting the Running Applications](#)

Task

## Checking and Exiting the Running Applications

---

xxx

[▲ ページトップへ](#)

▶Hard

▶Soft

▶Other

[→ 目次一覧](#)

Task

## Entering Text

---

An on-screen keyboard is displayed on the screen when needed.  
Enter text using the keyboard [Details].

[▲ ページトップへ](#)

▶Hard

▶Soft

▶Other

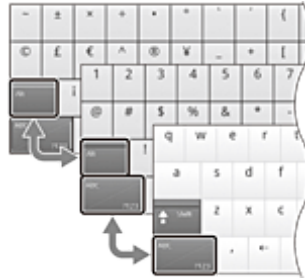
[→ 目次一覧](#)

Task

## Using the Keyboard

---

Each time you press the two keys at the lower left corner on the keyboards as shown, the keyboards are changed as follows.



Hint

You can also display independent numerical keypad. xxxxx

[▲ ページトップへ](#)

▶Hard

▶Soft

▶Other

[→ 目次一覧](#)

Task

## Cut and Paste Text

---

### To cut or copy text

1. Select and hold the text, and then touch [Cut] or [Copy].

### To paste text

1. Touch the location to paste, and then touch [Paste].

[▲ ページトップへ](#)

Reference

## Preinstall Software and Support Center

---

Your tablet device has the following preinstall software. For details, contact each support center.  
xxxxx

[▲ ページトップへ](#)

▶Hard

▶Soft

▶Other

[→ 目次一覧](#)

[▶Hard](#)[▶Soft](#)[▶Other](#)[→ 目次一覧](#)

Task

## About the Settings Menu

---

In the settings menu, you can configure various settings of your tablet device. Touch @(Apps) - [ @ Settings] and the desired items, and then select the items or follow the displayed instructions.

The menu items are as follows:

- @ Wireless & Networks : xxx
- @ Sound : xxx
- @ Screen : xxx
- @ Location & security : xxx
- @ Applications : xxx
- @ Accounts & sync : xxx
- @ Privacy : xxx
- @ Storage : xxx
- @ Language & input : xxx
- @ Accessibility : xxx
- @ Date & time : xxx
- @ About tablet : xxx

[▲ ページトップへ](#)

▶Hard

▶Soft

▶Other

[→ 目次一覧](#)

Task

## Before Use

---

When you use your tablet device for the first time, you must register your tablet device and sign in.

1. After turning on your tablet device, select a language and touch [Start].
2. Connect your tablet device via Wi-Fi [Details] or 3G.
3. Follow the displayed instructions to sign in with your Google account.

[▲ ページトップへ](#)



▶Hard

▶Soft

▶Other

[→ 目次一覧](#)

[トップ](#) > [Soft](#) > [Sony\\_Apps](#) > [Introduction to Sony Exclusive Applications](#)

Reference

## Introduction to Sony Exclusive Applications

---

You can download all kinds of Sony exclusive applications from the following sites.

Site name1 URL1

Site name2 URL2

Site name3 URL3

[▲ ページトップへ](#)

▶Hard

▶Soft

▶Other

[→ 目次一覧](#)

Reference

## Trademarks

---

xxxxx

[▲ ページトップへ](#)

▶Hard

▶Soft

▶Other

[→ 目次一覧](#)

Reference

## Specifications

---

xxxxx

[▲ ページトップへ](#)