

Wireless Microphone System

The supplied CD-ROM includes the Operating Instructions for the UWP-V1/V2/V6/X7/X8 Wireless Microphone System (English, French, German, Italian, and Spanish versions). For more details, see "Using the CD-ROM Manual" on page 20.

Operating Instructions

UWP-V1/V2/V6

UWP-X7/X8

For the UTX-B2/H2/P1 Transmitters

Owner's Record

The model and serial numbers are located at the rear or on the bottom of the unit. Record the model and serial numbers in the space provided below.

Refer to these numbers whenever you call upon your Sony dealer regarding this product.

Model No. _____

Serial No. _____

IMPORTANT

The name plate is located on the bottom and the serial number is located inside the battery compartment (UTX-P1).

IMPORTANT

La plaquette signalétique est posée sur le dessous de l'appareil et le numéro de série dans le logement des piles (UTX-P1).

WICHTIG

Am Boden des Geräts befindet sich das Typenschild und die Seriennummer befindet sich innen im Batteriefach (UTX-P1).

IMPORTANTE

La targhetta con il nome si trova sul fondo e il numero di serie si trova all'interno del vano pile (UTX-P1).

IMPORTANTE

La placa de características se encuentra en la parte inferior y el número de serie está en el interior del compartimiento de pilas (UTX-P1).

Notice for customers in the U.S.A.

Use of Sony wireless devices is regulated by the Federal Communications Commission as described in Part 74 subpart H of the FCC regulations and users

authorized thereby are required to obtain an appropriate license.

You are cautioned that any changes or modifications not expressly approved in this manual could void your authority to operate this equipment.

IMPORTANT NOTE: To comply with the FCC RF exposure compliance requirements, no change to the antenna or the device is permitted.

Any change to the antenna or the device could result in the device exceeding the RF exposure requirements and void user's authority to operate this device.

This device complies with FCC radiation exposure limits set forth for uncontrolled equipment and meets the FCC radio frequency (RF) Exposure Guidelines in Supplement C to OET65. This device has very low levels of RF energy that it is deemed to comply without testing of specific absorption ratio (SAR).

Notice for customers in Canada:

Use of Sony wireless devices is regulated by the Industry Canada as described in their Radio Standard Specification RSS-123. A licence is normally required. The local district office of Industry Canada should therefore be contacted. When the operation of the device is within the broadcast band, the licence is issued on no-interference, nonprotection basis with respect to broadcast signals.

Operation is subject to the following two conditions: (1) this device may not cause interference, and (2) this device must accept any interference, including interference that may cause undesired operation of the device.

The term "IC" before the radio certification number only signifies that Industry Canada technical specifications were met.

Remarque à l'intention des utilisateurs au Canada:

L'usage des appareils sans fil Sony est réglementé par l'Industrie Canada comme décrit dans leur Cahier des Normes Radioélectriques CNR-123.

Une licence est normalement requise.

Le bureau de l'Industrie Canada doit être contacté. Lorsque le fonctionnement de l'appareil respecte les limites de la bande de radiodiffusion, la licence est accordée sur la base d'une non-interférence, non-protection pour les signaux de radiodiffusion.

L'utilisation doit répondre aux deux conditions suivantes : (1) ce matériel ne doit pas provoquer de brouillage et (2) il doit accepter tout brouillage, même celui qui est susceptible d'affecter son fonctionnement.

La mention « IC: » devant le numéro de certification/ homologation signifie uniquement que les spécifications techniques d'Industrie Canada sont remplies.

Für Kunden in Deutschland (UTX-B2/H2/P1)

Entsorgungshinweis: Bitte werfen Sie nur entladene Batterien in die Sammelboxen beim Handel oder den Kommunen. Entladen sind Batterien in der Regel dann, wenn das Gerät abschaltet und signalisiert "Batterie leer" oder nach längerer Gebrauchsdauer der Batterien "nicht mehr einwandfrei funktioniert". Um sicherzugehen, kleben Sie die Batteriepole z.B. mit einem Klebestreifen ab oder geben Sie die Batterien einzeln in einen Plastikbeutel.

Notice for customers in Europe

Notification aux clients européens

Hinweis für die Kunden in Europa

Avvertenza per gli utilizzatori in Europa

Aviso para los clientes de Europa

Nota para utilizadores da Europa

Mededeling voor de klanten in Europa

Att observera för kunder i Europa

Meddelelse til kunderne i Europa

Huomautus Euroopassa asuville asiakkaillemme

Για τους πελάτες στην Ευρώπη



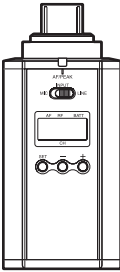
U.K.	854.125 - 862 MHz
Germany	790 - 814 MHz
Norway	800 - 820 MHz
Luxembourg	800 - 830 MHz, 854.125 - 862 MHz
Belgium	854.125 - 862 MHz
Denmark	800.100 - 819.900 MHz
France	798 - 830 MHz
Italy	800 - 820 MHz
Sweden	800 - 820 MHz
Schweiz/Suisse	800 - 820 MHz
Finland	800.100 - 819.900 MHz
Iceland	800 - 814 MHz
Turkey	470 - 862 MHz

Hereby, Sony Corporation, declares that this UTX-B2/H2/P1 is in compliance with the essential requirements and other relevant provisions of the Directive 1999/5/EC.

UWP-V6

The UWP-V6 consists of a plug-on transmitter (UTX-P1), a body-pack transmitter (UTX-B2), a portable diversity tuner (URX-P2), and their accessories. When used in conjunction with a compact camcorder, the UWP-V6 makes a mobile system for ENG (Electronic News Gathering) or EFP (Electronic Field Production) purposes.

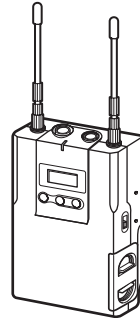
Plug-on transmitter
(UTX-P1) (1)



Body-pack transmitter
(UTX-B2) (1)

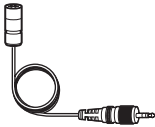


Portable diversity tuner
(URX-P2) (1)



Supplied accessories

Omni-directional lavalier
microphone (1)



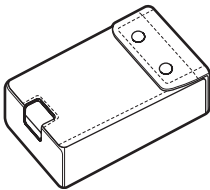
Wind screen (1)



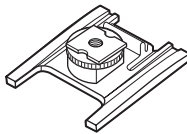
Holder clip (1)



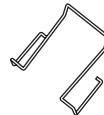
Soft case (1)



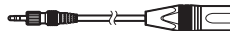
Shoe mount adapter (1)



Belt clip (2)



Stereo mini plug-BMP
conversion cable (1)



XLR-BMP conversion output cable for the
URX-P2 (1)

Operating Instructions (1)
CD-ROM (1) (for U30, U42, CE62, and CE67 models)
Warranty card (1) (for U30 and U42 models)

Using the CD-ROM Manual

The supplied CD-ROM includes Operating Instructions for the UWP series (English, French, German, Italian, and Spanish versions).

Preparations

The following program must be installed on your computer in order to read the Operating Instructions contained on the CD-ROM.

- Adobe Reader Version 6.0 or higher

If Adobe Reader is not installed, you can download it from the following URL:
<http://www.adobe.com/>

Adobe and Adobe Reader are trademarks of Adobe Systems Incorporated in the United States and/or other countries.

Reading the CD-ROM manual

To read the operation manuals contained on the CD-ROM, do the following.

- 1** Insert the CD-ROM in your CD-ROM drive.

A cover page appears automatically in your browser.

If it does not appear automatically in the browser, double-click on the `index.htm` file on the CD-ROM.

- 2** Select and click on the Operating Instructions that you want to read.

This opens the PDF file of the operation manuals.

The files may not be displayed properly, depending on the version of Acrobat Reader. In such a case, install the latest version you can download from the URL mentioned in “*Preparations*” above.

Note

If you have lost or damaged the CD-ROM, you can purchase a new one to replace it. Contact your Sony service representative.

Reading the Sony Wireless Microphone System Frequency List

The frequency lists for U30 and U42 models (for the U.S.A.) and CE62 and CE67 models (for Europe) are contained in the CD-ROM disc. To read the frequency lists, do the following.

- 1** Insert the CD-ROM in your CD-ROM drive.

A cover page appears automatically in your browser.

- 2** Select and click on the frequency list that you want to read.

This opens the PDF file of the frequency list.

Important Notes on Use

On usage and storage

- The UWP series components must be used within a temperature range of 0°C to 40°C (32°F to 104°F).
- Operating the UWP series components near electrical equipment (motors, transformers, or dimmers) may cause it to be affected by electromagnetic induction. Keep the UWP series components as far from such equipment as possible.
- The presence of the lighting equipment may produce electrical interference over the entire frequency range. Position the UWP series components so that interference is minimized.
- To avoid degradation of the signal to-noise ratio, do not use the UWP series components in noisy places or in locations subject to vibration, such as the following:
 - near electrical equipment, such as motors, transformers or dimmers
 - near air conditioning equipment or places subject to direct air flow from an air conditioner
 - near public address loudspeakers
 - where adjacent equipment might knock against the tuner

Keep the UWP series components as far from such equipment as possible or use buffering material.

On cleaning

Clean the surface and the connectors of the UWP series components with a dry, soft cloth. Never use thinner, benzene, alcohol

or any other chemicals, since these may mar the finish.

To prevent electromagnetic interference from portable communication devices

The use of portable telephones and other communication devices near the UWP series components may result in malfunction and interference with audio signals. It is recommended that portable communication devices near the UWP series components be turned off.

Specifications

Design and specifications are subject to change without notice.

Note

Always verify that the unit is operating properly before use. SONY WILL NOT BE LIABLE FOR DAMAGES OF ANY KIND INCLUDING, BUT NOT LIMITED TO, COMPENSATION OR REIMBURSEMENT ON ACCOUNT OF THE LOSS OF PRESENT OR PROSPECTIVE PROFITS DUE TO FAILURE OF THIS UNIT, EITHER DURING THE WARRANTY PERIOD OR AFTER EXPIRATION OF THE WARRANTY, OR FOR ANY OTHER REASON WHATSOEVER.

Transmitters (UTX-B2/H2/P1)

Items common to all transmitters

Oscillator type

Crystal-controlled PLL synthesizer

Carrier frequencies

Model available in USA: 758 to 806 MHz

Model available in Europe: 798 to 862 MHz

Model available in Australia: 792 to 806 MHz

Operating frequency band

Model available in USA and

Europe: 24 MHz BW

Model available in Australia: 14 MHz BW

Pre-emphasis

50 μ s

Frequency characteristics

50 Hz to 18 kHz

Signal-to-noise ratio

60 dB or more

Tone signal

32 kHz

Attenuation

0 to 21 dB, in 3-dB steps

Display

Channel, frequency, audio level, RF level, accumulated battery use time

Power requirements

3.0 V DC (two LR6/AA size alkaline batteries)

Battery life

Approx. 6 hours (measured with two Sony LR6/AA size alkaline batteries at 25°C (77°F), with output power of 30 mW)

Body-pack transmitter (UTX-B2)

Antenna

$1/4\lambda$ wave length wire

Audio input connector

3.5-mm dia. mini jack

Audio input level

-60 dBV to -39 dBV

RF output level

30 mW/5 mW selectable

Reference deviation

± 5 kHz

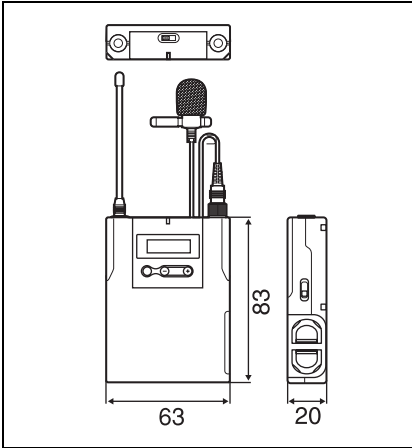
Distortion

1.0% or less

Indicator

Power on

Dimensions



63 × 83 × 20 mm ($2\frac{1}{2} \times 3\frac{3}{8} \times \frac{13}{16}$ inches) (w/h/d) (excluding the antennas)

Mass Approx. 145 g (5.1 oz) including batteries

Hand-held microphone (UTX-H2)

Microphone unit
Dynamic

Directivity
Unidirectional

Antenna
 $\frac{1}{4}\lambda$ wave length wire (internal)

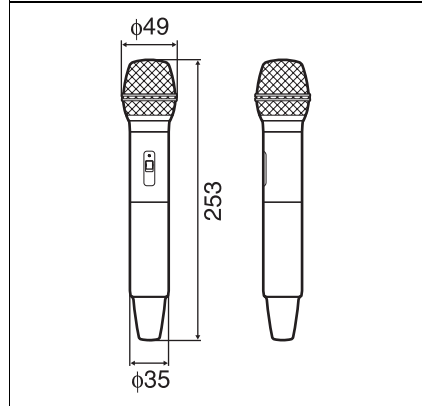
RF output level
30 mW/5 mW selectable

Reference deviation
 ± 5 kHz

Distortion
1.0% or less

Indicator
Power on

Dimensions



$\phi 49 \times 253$ mm ($1\frac{15}{16} \times 10$ inches)
(dia/length)

Mass Approx. 300 g (11 oz) including batteries

Plug-in transmitter (UTX-P1)

RF output level
50 mW

Reference deviation
 ± 10 kHz

Maximum deviation
 ± 40 kHz

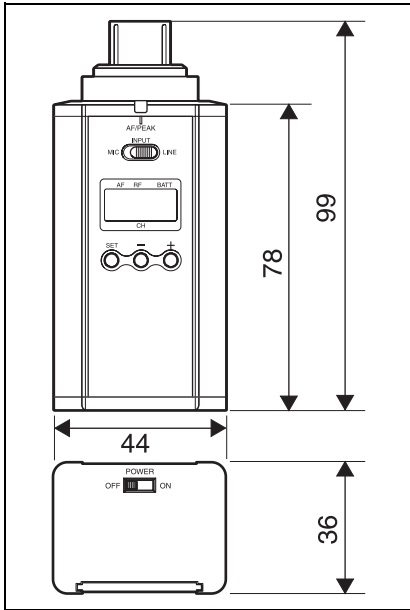
Distortion
1.0% or less at 1 kHz, -60 dBV
(MIC INPUT)

Audio reference level
Mic: -60 dBV
Line: $+4$ dBu

Audio input connector
XLR-3-11 type

Indicator
AF/PEAK level

Dimensions



44 × 99 × 36 mm (1 3/4 × 4 × 1 7/16 inches) (w/h/d) (including the audio input connector)

Mass Approx. 185 g (6.5 oz) including batteries

Tuners (URX-P2/M2)

Items common to all tuners

Type of reception

Space diversity

Oscillator type

Crystal-controlled PLL synthesizer

Reception frequencies

Model available in USA: 758 to 806 MHz

Model available in Europe: 798 to 862 MHz

Model available in Australia: 792 to 806 MHz

Operating frequency band

Model available in USA and

Europe: 24 MHz BW

Model available in Australia: 14

MHz BW

Signal-to-noise ratio

60 dB or more

De-emphasis

50 μs

Reference deviation

±5 kHz

Frequency characteristics

50 Hz to 18 kHz

Distortion

1.0% or less at 1 kHz modulation

Tone signal

32 kHz

Indicator

RF input level

Portable diversity tuner (URX-P2)

Antenna

1/4λ wave length wire

Squelch level

25 dBμ

Audio output level

-58 dBm

Audio output connector

3.5 mm dia. mini jack

Headphones output level

5 mW (16 ohms)

Display

Channel, frequency, audio level, RF level, accumulated battery use time, monitor level

Power requirements

3.0 V DC (two LR6/AA size alkaline batteries)

Battery life

Approx. 6 hours (measured with two Sony LR6/AA size alkaline batteries at 25 °C (77°F))

Dimensions

<http://www.sony.net/>

Sony Corporation
Printed in Korea
